

## Stock Product Catalog



## 501 Section Headings

General Information .....	1	IEC Frame Motors .....	200
Premium Efficient Super-E® Motors .....	8	50 Hertz Motors .....	211
Single Phase Motors .....	40	Inverter Drive® / Vector Drive® Motors & Controls .....	215
General Purpose Industrial Motors .....	46	DC Motors and Controls .....	307
Severe Duty Motors .....	66	Soft Starters and Dynamic Brakes .....	336
Washdown Duty Motors.....	88	Gearmotors and Gear Products .....	344
Explosion Proof Motors.....	101	Motor Accessories .....	396
Pump Motors .....	116	PT Components .....	408
Commercial Motors .....	132	Grinders .....	460
HVAC Motors.....	137	Generators .....	469
Farm Duty Motors.....	151	Servo Motors and Controls .....	475
Definite Purpose Motors.....	158	Mod Express .....	476
Unit Handling Motors .....	169	Baldor Education Workshops .....	513
Brake Motors .....	177	XP Classifications and Baldor Sales Offices .....	517
200 and 575 Volt Motors.....	183	Cross Reference and Index .....	519



*Baldor•Reliance® large motors are trusted to get the job done! Designed and built for superior reliability, energy savings and rugged performance... Baldor•Reliance is the preferred choice. With ratings to 1,500 Hp delivered from stock and the shortest lead-times available for custom motors to 15,000 Hp, no application is too tough for Baldor•Reliance motors.*

### Table of Contents

#### Premium Efficient Super-E® Motors

Three Phase, Totally Enclosed, Foot Mounted.....	8
Three Phase, Totally Enclosed, C-Face, Foot Mounted.....	10
Three Phase, Totally Enclosed, C-Face, Footless.....	11
Three Phase, Open Drip Proof, Foot Mounted.....	12
<b>New!</b> Three Phase, TEFC and ODP, Foot Mounted, With Internal AEGISTM Shaft Ground.....	14
Three Phase, Open Drip Proof, C-Face, Foot Mounted.....	15
200 Volt, Three Phase, TEFC, Foot Mounted.....	16
200 Volt, Three Phase, ODP, Foot Mounted.....	17
575 Volt, Three Phase, TEFC.....	18
575 Volt, Three Phase, ODP, Foot Mounted.....	20
Severe Duty, Three Phase, 460 & 230/460 Volts, Foot Mounted.....	21
Severe Duty, Three Phase, 575 Volts, Foot Mounted.....	24
Severe Duty, Medium Voltage, Three Phase, 2300/4000 Volts, TEFC, Foot Mounted.....	25
Baldor Above NEMA Motor Capabilities Overview.....	26
F-2 Mount, Three Phase, TEFC and ODP, Foot Mounted.....	27
Explosion Proof, Three Phase, Foot Mounted.....	28
Explosion Proof, Three Phase, C-Face, Foot Mounted.....	30
Explosion Proof, Severe Duty, Three Phase, 1.15 Service Factor.....	31
Washdown Duty, Three Phase, Totally Enclosed.....	32
Paint-Free, Three Phase, Totally Enclosed, C-Face.....	33
Stainless Steel, Three Phase, Totally Enclosed, C-Face, Foot Mounted.....	34
SSE Super-E Stainless Steel, Three Phase, Totally Enclosed, C-Face, Encapsulated.....	35
Close-Coupled Pump, Three Phase, TEFC, C-Face.....	37
Close-Coupled Pump, Three Phase, ODP, C-Face.....	38
Single Phase, TEFC and ODP, Foot Mounted.....	39

#### Single Phase Motors

Single Phase, TEFC, Foot Mounted.....	40
Single Phase, TEFC, C-Face, No Drip Cover.....	42
Single Phase, ODP, Foot Mounted.....	43
Single Phase, ODP, C-Face.....	45

#### General Purpose Industrial Motors

Three Phase, Totally Enclosed, Foot Mounted.....	46
Three Phase, Totally Enclosed, C-Face, Foot Mounted.....	52
Three Phase, Totally Enclosed, C-Face, Footless.....	55
Three Phase, Open Drip Proof, Foot Mounted.....	58
Three Phase, Open Drip Proof, C-Face, Foot Mounted.....	63
Three Phase, Open Drip Proof, C-Face, Footless.....	64
Medium Voltage, Three Phase, 2300/4000 Volts, WPI & WPIL.....	65

#### Severe Duty Motors

Three Phase, Totally Enclosed, 460 & 230/460 Volts.....	66
Super-E, Three Phase, TEFC, 575 Volts, Foot Mounted.....	71
Three Phase, Totally Enclosed, 460 & 230/460 Volts, C-Face.....	72
IEEE 841, Three Phase, Totally Enclosed, 460 Volts.....	74
IEEE 841, Three Phase, TEFC, 575 Volts, Foot Mounted.....	77
661XL / IEEE 841, Three Phase, TEFC, 460 Volts, Foot Mounted.....	79
Medium Voltage, Three Phase, 2300/4000 Volts, TEFC, Foot Mounted.....	80
Baldor Above NEMA Motor Capabilities Overview.....	81
Quarry Duty Motors, Three Phase, TEFC, Design C, High Torque.....	82
Crusher Motors, Three Phase, TEFC, 460 Volt, Foot Mounted.....	83
Dirty Duty, Three Phase, TEFC.....	84
Dirty Duty, Autophoretic, Three Phase, 230/460 Volts, C-Face.....	86

#### Washdown Duty Motors

Single and Three Phase, Totally Enclosed.....	88
Brake Motor, Three Phase, Totally Enclosed, C-Face.....	91
Feather Picker Motor, Three Phase, TEFC, Design C.....	91
Close-Coupled Pump, Three Phase, Totally Enclosed.....	92
<b>New!</b> SSE Super-E Stainless Steel, Close-Coupled Pump, Three Phase, Totally Enclosed, Encapsulated.....	92
Paint-Free, Three Phase, Totally Enclosed, C-Face.....	93
Standard-E and Super-E Stainless Steel, Three Phase, Totally Enclosed, C-Face.....	94
<b>New!</b> Standard-E, Stainless Steel, Three Phase, Totally Enclosed, C-Face, Encapsulated.....	96
SSE Super-E Stainless Steel, Three Phase, Totally Enclosed, C-Face, Encapsulated.....	97
SSE Stainless, Three Phase, Totally Enclosed, B14 Face, B5 Flange, 50Hz, Encapsulated.....	98
Inverter Motor, Paint Free, Three Phase, Totally Enclosed, C-Face.....	99
Inverter Motor, Three Phase, TENV, C-Face, Foot Mounted.....	100
Vector Motor, Three Phase, TENV, C-Face, Foot Mounted.....	100

#### Explosion Proof Motors

Single and Three Phase, Foot Mounted.....	101
Single and Three Phase, C-Face, No Drip Cover.....	105
575 Volt, Three Phase, Explosion Proof.....	108
Severe Duty, Three Phase, 1.15 Service Factor.....	110
Drill Rig Duty, Three Phase, 1.15 Service Factor.....	111
Drill Rig Duty, Single Phase, C-Face, 1.15 Service Factor, Foot Mounted.....	114
<b>New!</b> ATEX Directive.....	115

#### Pump Motors

Jet Pump, Single Phase, TEFC.....	116
Jet Pump, Single Phase, ODP.....	117
Jet Pump, Three Phase, TEFC, C-Face.....	118
Square Flange Pump, ODP.....	118
Jet Pump, Three Phase, ODP, C-Face.....	119
Explosion-Proof Jet Pump, Footless.....	120
Close-Coupled Pump, Three Phase, Explosion Proof.....	120
Close-Coupled Pump, Single Phase, TEFC and ODP.....	121
Close-Coupled Pump, Three Phase, TEFC, C-Face.....	122
Close-Coupled Pump, Three Phase, ODP, C-Face.....	124
Washdown Close-Coupled Pump, Three Phase, Totally Enclosed.....	127
<b>New!</b> SSE Super-E Stainless Steel, Close-Coupled Pump, Three Phase, Totally Enclosed, Encapsulated.....	127
P-Base Vertical Solid Shaft Pump, Three Phase, TEFC, 1.15 Service Factor.....	128
P-Base Vertical Solid Shaft Pump, Three Phase, ODP, 1.15 Service Factor.....	129
Submersible Motors, Single Phase, TENV.....	130
Submersible Motors, Three Phase, TENV.....	131

#### Light Industrial / Commercial Motors

Two Compartment Jet Pump, Single Phase, Open.....	132
General Purpose, Single Phase, Open.....	132
HVAC Blower, Three Phase, OPAO.....	133
Fan and Blower, Single Phase, Open.....	133
Direct Drive Fan, Single and Three Phase, TEAO.....	134
Incubator/Hatchery Vent Fan, Single Phase, TEAO.....	135
Condenser Fan, Single Phase, OPAO, TEAO, Round Body.....	135
Direct Drive, Indoor Blower, Single Phase, OPAO, Round Body.....	136
Yoke/Pedestal Fan, Single Phase, TEAO.....	136

General Information

Premium Efficient Super-E® Motors

Single Phase Motors

General Purpose Industrial Motors

Severe Duty Motors

Washdown Duty Motors

Explosion Proof Motors

Pump Motors

Light Industrial/ Commercial Motors

HVAC Motors

1



### Table of Contents

General Information

Premium Efficient Super-E® Motors

Single Phase Motors

General Purpose Industrial Motors

Severe Duty Motors

Washdown Duty Motors

Explosion Proof Motors

Pump Motors

Light Industrial/Commercial Motors

HVAC Motors

#### HVAC Motors

**New!** Three Phase, TEFC and ODP, Foot Mounted, With Internal AEGIS™ Shaft Ground ..... 137

Fan and Blower, Single and Three Phase, ODP, Resilient Base ..... 138

Chiller/Cooling Tower, Three Phase, TEAO ..... 139

Chiller/Cooling Tower, Three Phase, Two Speed, TEFC ..... 140

Three Phase, ODP, Resilient Base ..... 140

Super-E and Standard-E, Three Phase, ODP, Foot Mounted ..... 141

Three Phase, TEFC, Foot Mounted ..... 143

Three Phase, ODP ..... 144

Variable Torque, Three Phase, TEFC ..... 145

Variable Torque, Three Phase, ODP ..... 147

(PSC) - Direct Drive Fan, Single Phase, TEAO ..... 149

Condenser Fan, Three Phase, ODP, "Belly Band" Round Body ..... 149

Three Phase, TEAO, Foot Mounted ..... 150

**New!** Condenser Fan, Three Phase, TEAO ..... 150

#### Farm Duty Motors

Single Phase, TEFC ..... 151

Grain Dryer/Centrifugal Fan, Single and Three Phase, TEFC and ODP ..... 152

Grain Dryer/Vane Axial Fan, Single and Three Phase, TEAO and OPAO ..... 153

Universal Crop Dryer, Single Phase, PSC (switchless), TEAO and OPAO ..... 154

Irrigation Tower Drive, Three Phase, TENV ..... 154

Auger Drive, Single Phase, TEFC, Flange Mount, Capacitor Start ..... 155

Grain Stirring, Single Phase, TEFC, Foot Mounted ..... 155

Instant Reversing, Single Phase, TEFC, Foot Mounted ..... 156

Aeration Fan, Single and Three Phase, TEAO, Foot Mounted ..... 156

Dairy/Vacuum Pump, Single Phase, TEFC, Foot Mounted ..... 157

#### Definite Purpose Motors

Three Phase, Two Speed, TEFC, Foot Mounted ..... 158

Three Phase, Two Speed, ODP, Foot Mounted ..... 160

Pressure Washer, Single Phase, TEFC and ODP ..... 161

Metering Pump, Three Phase, TEFC, Foot Mounted ..... 162

Arbor Saw, Three Phase, TEFC, Foot Mounted ..... 162

Woodworking, Single Phase, TEFC ..... 163

Pre-1952 NEMA, Single and Three Phase, Foot Mounted ..... 163

SAE Hydraulic Pump Motors, Three Phase, Continuous Duty ..... 164

F-2 Mount, Three Phase, TEFC and ODP, Foot Mounted ..... 165

Automotive Approved, Three Phase, TEFC, Foot Mounted ..... 166

Oil Field Pump, Three Phase, TEFC and ODP, Design D, Foot Mounted ..... 167

Single and Three Phase, TENV, Foot or C-Face Mounting, Removable Base ..... 168

**New!** Synchronous Permanent Magnet, Three Phase, TEFC, Foot Mounted ..... 168

#### Unit Handling Motors

**New!** Three Phase, C-Face, TEFC, With Internal AEGIS™ Shaft Ground ..... 169

Single and Three Phase, C-Face, TEFC ..... 170

High Cycle Brake Motor, Three Phase ..... 172

D-Series Brake Motor, Single Phase, TEFC ..... 172

D-Series Brake Motor, Three Phase, Totally Enclosed ..... 173

**New!** Short Series Brake Motor, Three Phase, TEFC, With Internal AEGIS™ Shaft Ground ..... 175

Short Series Brake Motor, Three Phase, TEFC ..... 176

D-Series and SSB Fast Response Brake Kit ..... 176

#### Brake Motors

Three Phase, Super-E Premium Efficient, TEFC ..... 177

Single and Three Phase, TEFC, Foot Mounted ..... 178

Single and Three Phase, TEFC, C-Face ..... 179

Three Phase, ODP ..... 180

Three Phase, Explosion Proof, C-Face ..... 181

Washdown, Three Phase, Totally Enclosed, C-Face, Foot Mounted ..... 181

Double C-Face Motor Brake Kits ..... 182

#### 200 & 575 Volt Motors

200 Volt, Three Phase, TEFC, Foot Mounted ..... 183

200 Volt, Three Phase, ODP, Foot Mounted ..... 184

575 Volt, Three Phase, TEFC, Foot Mounted ..... 186

575 Volt, Three Phase, TEFC, C-Face ..... 188

Premium Efficient, Severe Duty, 575 Volt, Three Phase, TEFC ..... 190

IEEE 841, 575 Volts, Three Phase, Totally Enclosed ..... 191

575 Volt, Three Phase, C-Face, Washdown, Totally Enclosed ..... 193

Standard-E & Super-E Stainless Steel, Three Phase, Totally Enclosed, C-Face ..... 194

575 Volt, Three Phase, ODP, Foot Mounted ..... 195

575 Volt, Three Phase, Close-Coupled Pump, TEFC and ODP, C-Face ..... 196

575 Volt, Three Phase, Explosion Proof ..... 197

Drill Rig Duty, Three Phase, 1.15 Service Factor, Foot Mounted ..... 199

#### IEC Frame Motors

Metric IEC Frame Motors, Three Phase, 60 Hz, 230/460 Volts ..... 200

Metric IEC Frame Motors, Three Phase, 60 Hz, 575 Volts ..... 201

Metric IEC Frame Motors, 60 Hz. — Replacement Parts List ..... 202

Metric IEC Frame Motors, Three Phase, 60 Hz ..... 203

Super-E, Metric IEC Motors, Three Phase, 50 Hz, 230/400 & 400 Volts ..... 204

Metric-E, IEC Motors, Three Phase, 50 Hz, 230/400 & 400 Volts ..... 205

Three Phase, 60 Hz, TEFC (IP54), Foot Mounted ..... 206

Three Phase, 60 Hz, TEFC (IP54), B5 Flange ..... 207

Three Phase, 60 Hz, TEFC (IP54), B14 Face ..... 208

SSE Stainless, Three Phase, Totally Enclosed, B14 Face, B5 Flange, 50 Hz, Encapsulated ..... 209

Three Phase, 50 Hz, TEFC (IP54), B3, B5, B14 Mounting ..... 210

#### 50 Hertz Motors

Single Phase, NEMA Frame, TEFC and ODP, Foot Mounted ..... 211

Three Phase, NEMA Frame, TEFC and ODP, Foot Mounted ..... 212

Single and Three Phase, NEMA Frame, TEFC, C-Face, Footless ..... 213

Single and Three Phase, NEMA Frame, Explosion Proof, C-Face ..... 214

#### Inverter/Vector Motors & Controls

AC Motor Variable Speed Range Capabilities ..... 215

RPM AC, Salient Pole PM Rotor, Three Phase, TEBC ..... 216

VS1PM Permanent Magnet Drive ..... 217

RPM AC, Inverter Duty, Three Phase ..... 219

RPM AC, Vector Duty, Three Phase, Totally Enclosed ..... 221

V\*S Master Inverter Drive, Three Phase, Totally Enclosed ..... 226

V\*S Master Vector Drive, Three Phase, Totally Enclosed ..... 227

V\*S Master Severe Duty Vector Drive, Three Phase, Totally Enclosed ..... 228

Inverter, Three Phase, TEBC and TENV, C-Face, Foot Mounted ..... 229

Inverter Motor, Paint Free, Three Phase, Totally Enclosed, C-Face ..... 231

Inverter, Explosion Proof, Three Phase, TEFC, Class I, Group D ..... 232

Vector, Three Phase, TEBC and TENV, C-Face ..... 233

Inverter Motor, Three Phase, TENV, C-Face, Foot Mounted ..... 234



### Table of Contents

<b>Inverter/Vector Motors &amp; Controls (Con't)</b>		<b>DC Motors and Controls (Con't)</b>	
Vector Motor, Three Phase, TENV, C-Face, Foot Mounted.....	234	Lifting Magnet Generators .....	321
Inverter Gear Motor - Right Angle and Parallel Shaft -TEFC .....	235	Tach Mounting Kits/Cooling Blowers for DC Integral Hp Motors.....	322
Feedback Cable Assembly with MS Connector .....	236	Tach Generators DC, AC and Digital Output .....	323
Encoder Feedback Kits for IDM, IDNM and IDWNM Motors .....	236	Field Conversion Tach Mounting Kits for Permanent Magnet and Shunt Wound Motor .....	324
Constant Velocity Blower Cooling Conversion Kits.....	237	DC Drives Selection Chart .....	325
Baldor V*S Drives Selection Chart.....	239	Fractional Horsepower DC Speed Controls for PMDC Motors .....	326
VS1ST AC Micro Drive.....	240	NEMA 1 Enclosed DC Controls for PMDC and Shunt Wound Motors .....	326
VS1STS AC Micro Drive .....	243	DC Control Accessories.....	326
VS1SM AC Micro Drive.....	245	Chassis Mount DC Controls .....	327
VS1MD AC Micro Drive .....	247	Resistor and Fuse Kit.....	327
VS1MX AC Micro Drive.....	251	NEMA 4X DC Control and Accessories.....	328
VS1MXS AC Micro Drive.....	256	Line Regenerative DC Controls and Accessories .....	329
VS1PF Pump and Fan AC Drive.....	258	NEMA Enclosed DC Control Specifications.....	330
VS1PF Pump and Fan Bypass AC Drive .....	260	Chassis Mount DC Control Specifications.....	331
VS1PF Packaged Drives.....	263	Series 19H Digital DC Controls .....	332
VS1SP Inverter/Encoderless Vector Drive .....	268	Series 20H Line Regenerative Digital DC Controls.....	334
VS1SP Packaged Drives .....	272		
VS1GV Vector Drive.....	279	<b>Soft Starters and Dynamic Brakes</b>	
VS1GV Closed Loop Vector NEMA 1 Enclosure.....	280	Digital Soft Start Controls.....	336
VS1GV Closed Loop Vector NEMA 4 Washdown Enclosure .....	282	Digital Soft Start Controls, Dimensions and Accessores.....	338
VS1GV Packaged Drives .....	283	Multipurpose Soft Start .....	339
VS1SP / VS1GV Keypad Extension Cable .....	289	Multipurpose Solid State Soft Start .....	340
VS1SP / VS1GV Dynamic Braking Resistor Assemblies.....	289	Single Phase Starter .....	340
VS1SP / VS1GV Expansion Boards .....	290	Definite Purpose Soft Start .....	341
Baldor and Reliance AC Drives Selection Chart .....	291	Three Phase Torque Control .....	341
Series 5 Micro Inverters .....	292	Multipurpose Dynamic Brake.....	342
Series 15H Inverter .....	294	Single Phase Electronic Motor Brake .....	343
Series 18H Vector Drive.....	296		
Series 22H Line Regenerative Vector Drive .....	298	<b>Gearmotors &amp; Gear Products</b>	
Series 15H and 18H Dynamic Braking Transistor Assemblies .....	300	<b>Right Angle AC Gearmotors.....</b>	<b>344</b>
Series 15H and 18H Dynamic Braking Resistor Assemblies.....	300	FTA Style.....	344
Series 15H, 18H, 19H, 20H and 22H Expansion/Accessory Boards...	301	BB and BA Style.....	345
Three Phase - Line and Load Reactors.....	303	DB Style .....	346
Remote Operator Control Stations.....	305	EB Style .....	347
		G Style .....	348
		KA Style .....	349
		CB Style.....	350
		JH Style.....	351
		H Style and H Gearbox Accessories.....	352
		<b>Right Angle DC Gearmotors .....</b>	<b>353</b>
		FTA Style.....	353
		GNA Style .....	354
		BA Style .....	355
		DA Style .....	356
		EB Style .....	357
		G Style .....	358
		K Style.....	359
		CB Style.....	360
		JK Style.....	361
		JAF Style.....	362
		<b>Parallel Shaft AC Gearmotors.....</b>	<b>363</b>
		PSSH Style.....	363
		PSM Style and PSM Mounting Adapters .....	364
		PSL Style .....	365
		"L" Type Mounting Brackets .....	366
<b>DC Motors and Controls</b>			
Subfractional Permanent Magnet DC Motor .....	307		
SCR Drive Permanent Magnet Motor.....	307		
Integral DC Tach Permanent Magnet SCR Drive Motor .....	308		
Explosion Proof Permanent Magnet SCR Drive Motor.....	308		
Washdown Duty Permanent Magnet SCR Drive Motor .....	309		
Paint Free Washdown Duty Permanent Magnet SCR Drive Motor .....	309		
Metric Flange Permanent Magnet SCR Drive Motor.....	310		
Low Voltage Permanent Magnet Motor.....	311		
DC Power Motor .....	311		
Shunt Wound SCR Drive Motors .....	312		
RPM III DC Shunt Wound SCR Drive Motors, 180V Armature .....	313		
RPM III DC Shunt Wound SCR Drive Motors, 240V Armature .....	313		
RPM III DC Shunt Wound SCR Drive TEFC Motors, 240V & 500V Armature.....	314		
RPM III Wound Field SCR Drive DPG-FV Motors, 240V & 500V Armature.....	315		
RPM III Wound Field SCR Drive DPG Motors, 240V & 500V Armature.....	316		
RPM III DC Motor Accessories and Kits.....	317		
SCR Drive Motor, Shunt and Stabilized Shunt Wound DDPFG .....	319		
SCR Drive Motor, Shunt and Stabilized Shunt Wound DPBV .....	320		
SCR Drive Motor, 240V Armature .....	320		
Shunt Wound SCR Drive Motor .....	321		

### Table of Contents

General Information

Premium Efficient Super-E® Motors

Single Phase Motors

General Purpose Industrial Motors

Severe Duty Motors

Washdown Duty Motors

Explosion Proof Motors

Pump Motors

Light Industrial/Commercial Motors

HVAC Motors

#### Gearmotors & Gear Products (Con't)

<b>Parallel Shaft DC Gearmotors.....</b>	<b>367</b>
PSSH Style.....	367
PSM Style .....	368
PSL Style .....	369
<b>Speed Reducers .....</b>	<b>371</b>
900 Series – Right Angle – Quill Type Solid Shaft .....	371
900 Series – Right Angle – Quill Type Hollow Shaft .....	376
Stainless Steel – Right Angle – Quill Type Solid Shaft .....	377
Stainless Steel – Right Angle – Quill Type Hollow Shaft .....	378
Washdown – Right Angle – Quill Type Solid Shaft .....	379
900 Series – Right Angle – Coupling Type – Solid Shaft .....	380
900 Series – Right Angle – Solid Shaft.....	382
1/4 Horsepower Stock Gear-Motors.....	383
1/3 Horsepower Stock Gear-Motors.....	384
1/2 Horsepower Stock Gear-Motors.....	385
3/4 Horsepower Stock Gear-Motors.....	386
1 Horsepower Stock Gear-Motors .....	387
1-1/2 Horsepower Stock Gear-Motors .....	388
Universal Series – Right Angle – Quill Type – Solid Shaft .....	389
Inline Helical .....	391
Ratio Multiplier – Inline – Quill Type Solid Shaft.....	392
900 Series – Right Angle Base Kits.....	393
Universal Series – Right Angle Base Kits.....	393
Flange, Riser Block and Torque Arm Kits .....	394
Flange, Bushing and Double Reduction Adapter Kits .....	395

#### Motor Accessories

NEMA AC Motor C-Face Kits for Field Conversion.....	396
NEMA DC Motor C-Face Kits for Field Conversion.....	398
Double C-Face Motor Brake Kits .....	398
D-Flange Kits.....	399
Drip Cover and Fan Cover/Conduit Box For Field Conversion .....	400
Ball Bearing to Roller Bearing Conversion Kit.....	400
Gear Motor Accessories .....	401
Adjustable Motor Bases.....	402
Adjustable Motor Bases Dimension Diagrams.....	403
Conversion Bases Dimension Diagrams.....	404
Metric Weld On Bases Dimension Diagrams .....	405
Conduit Box Kits .....	406
CC Series Power Factor Correction Capacitors .....	407

#### PT Components

<b>Bushings .....</b>	<b>408</b>
“QD” Bushing .....	408
Taper-Lock Bushings.....	409
<b>Sheaves .....</b>	<b>410</b>
Light Duty Sheaves Fixed Bore: MA, 2MA .....	410
Light Duty Sheaves Fixed Bore: MB, 2MB .....	412
Light Duty Sheaves Bush Type: MAL, 2MAL.....	414
Light Duty Sheaves Bush Type: MBL, 2MBL.....	416
Fractional Horsepower Series (f.h.p.): MFAL .....	418
Adjustable Pitch Light Duty (HVAC) MVL.....	418
8000 Series .....	419
VP Series.....	420
MVS .....	421
Classical A/B Combination, C & D .....	422
Narrow 3V, 5V & 8V .....	438

#### PT Components (Con't)

<b>Couplings.....</b>	<b>452</b>
MASKA STARFLEX: Elastomeric Jaw Type Couplings.....	452
4-FLEX: Elastomeric Gear Type Couplings.....	453
4-FLEX: Type “SC” SPACER Couplings .....	455
4-FLEX: Element Types.....	457
MASKAFLEX : Elastomeric Tire Type .....	458

#### Grinders

Industrial Grinders.....	460
Industrial Tool Grinders .....	463
Industrial Abrasive Belt Sanders.....	464
Industrial Buffers.....	464
Big Red Grinders .....	465
Grinder Accessories .....	466
Grinder Wheels.....	467
Polishing Lathes and Chucks.....	468
Dust Collector Bags.....	468

#### Generators

Premier Portable.....	469
Powerchief® Portable with Inverter Technology .....	471
Diesel Portable .....	473
Generator Accessories .....	473

#### Servo

Servo Motors & Controls .....	475
-------------------------------	-----

#### Mod Express

Mod Express .....	476
Class Descriptions.....	514

#### Classifications and Baldor Sales Offices

UL & CSA Explosion-Proof Classifications .....	517
Baldor Sales Offices .....	518

#### Cross Reference & Index

Reliance/Baldor Cross-Reference .....	519
Catalog Index .....	524

## Approvals UL and CSA

### Approvals for AC Motors, Explosion Proof, and DC Motors:

File #:	Description:	Description:
E10822	UL Listed Explosion Proof AC Motors	182T - 449T Frames
		5008, 5010, 9540 Frames
	UL Listed Explosion Proof DC Motors	140TY - 440TY Frames - Submersible Water-Sewer Pump motors
		182T - 286T Frames - Shaker Duty motors
E27506	UL Recognition for Thermally Protected motors	42 - 250 Frames - Subfractional thru 20HP motors
E37609	Special Explosion Proof conduit boxes	
E46145	UL Recognition for DC frames	42 - 184 Frames - Subfractional Motors and Gearmotors
	UL Recognition for NEMA frames	42 - 449 Frames
E54825	UL Recognition for AC frames	180 - 5800 Frames
	UL Recognition for DC frames	L180 - DL2814 Frames
E6881	UL Listed Explosion Proof DC Motors	48 - 4013AT Frames
E6951	UL Listed Explosion Proof AC/DC Motors	56 Frame
EEV79350	CSAc-us EEV Certification (Energy Efficiency Verification)	56 - 449 Frames - Subfractional thru 300HP motors
LR19467	CSA Certified Explosion Proof (Division 1)	1 - 200HP Motors
	CSA c-us Certified Explosion Protected (Division 2)	140TY - 440TY Frames
LR22553	CSA Certification for Explosion Proof motors	180 - 449T Frames
	CSA c-us Certified Explosion Protected (Division 2)	180 - 449T Frames
LR2262	CSA Certification for DC frames	48 - 215 Frames
	CSA Certification for NEMA frames	56 - 364T Frames
LR36841-7	CSA c-us Certification for AC frames	42 - 184 Frames
	CSA c-us Certification for AC frames	42 - 449 Frames
LR40567	CSA c-us Certification for AC frames	5000 - 5800 Frames - up to 4160Volts and a maximum of 900HP(2Pole), 800HP(4Pole) and 700HP(6Pole)
	CSA c-us Certification for DC frames	L180 - DL2814 Frames - 32-1000HP
	CSA c-us Certification for MG Sets	48 - 4013AT Frames - 5-500HP
	CSA c-us Certification for NEMA frames	7MG - 80MG Frames - 15-150HP
LR46877	CSA c-us Certified Explosion Proof (Division 1)	140TY - 360TY Frames - Submersible and Immersible motors
	CSA c-us Certified Explosion Protected (Division 2)	L180 - L440 frames - TEPV Type X Purge Motors
LR48703	CSA Certification for Explosion Proof motors	L180 - DL2814 Frames
LR52580	CSA Certification for AC frames	
	CSA c-us Certification for Finned AC frames	447T - 7111 Frames - 500-1500HP
	CSA c-us Certification for DC frames	447T - 7111 Frames - 500-1500HP
LR53258	CSA c-us Certified Explosion Protected (Division 2)	C4412 - B1610 Frames - 100-3000HP
LR60344	CSA c-us Certified Explosion Protected (Division 2)	
LR63415	CSA Certification for Explosion Proof motors	
LR6451	CSA c-us Certification for AC frames	5800 - 1000 Frames - 1000-15000HP
LR6771	CSA Certified AC Division 1	
LR78389	CSA EEV Certification (Energy Efficiency Verification)	1-200HP
LR7861	CSA c-us Certification for NEMA frames	180 - 449 Frames - 600HP max.
LR40567	CSA c-us Certification for NEMA frames	180 - 449 Frames - 600HP max.

Motor Designs built at Athens, Gainesville, Kings Mountain and Stratford Plants.

Motor Designs built at Clarksville, Westville, Fort Smith, Ozark, and Columbus Plants.

### EPAct Compliance Certification: CC 010A and CC 049A

**DC Tachometers** — XPY tachometers are UL recognized, file number E109527 and CSA listed file number LR36841-5.

**DC SCR Controls and Accessories** — Controls with catalog numbers BC138, BC139, BC140, BC140-FBR, BC141, BC142, BC155, BC154, BCWD140, BC160, BC200, BC201, BC202, BC203 and BC204 and accessories BC24-LF, BC145, BC146, BC147, BC151, BC211 and BC212 are UL listed for US and Canada, UL file number E114039. BC153 is UL component recognized for US and Canada. BC254, BC354, BC214, BC215, BC216, BC217, BC218, BC245, BC253, BC258, BC259 are pending – contact Baldor for status. Larger SCR controls Series 19H and 20H are UL and cUL Listed, UL file number E128059. SCR controls Series 29D and 30D are UL and cUL listed, UL file E128059. Reliance DC are Drives UL/cUL Listed, file number E59092.

**AC Inverter and Vector Controls** — Baldor and Baldor V\*S Drives are UL/cUL Listed, file number E128059. Reliance Drives are UL/cUL Listed, file number E59092.

**AC Soft Starters** — All units are CUL listed, file number E114039 except catalog item S25CA.

General Information

Premium Efficient Super-E® Motors

Single Phase Motors

General Purpose Industrial Motors

Severe Duty Motors

Washdown Duty Motors

Explosion Proof Motors

Pump Motors

Light Industrial/Commercial Motors

HVAC Motors



**Abbreviations:** The Basic Baldor catalog number consists of a letter(s) prefix and several non-significant preceding numbers. A suffix letter(s) and/or number(s) may also be part of the catalog number. For example L3510 or L3510T. Following is a list of prefix and suffix definitions.

### Motors Prefix

Premium Efficient Super-E® Motors	AEM	Automotive Motor, Three Phase	JM	JM Pump Shaft and Face
	AFL	Aeration Fan Motor, Single Phase	JMSSEWDM	All Stainless Encapsulated Super-E Washdown JM Pump Shaft & Face
	AFM	Aeration Fan Motor, Three Phase	JMWDM	Washdown Duty Motor with JM Pump Shaft & Face with Base, Three Phase
	ANFL	Auger Fan Motor, Single Phase	JP	JP Pump Shaft & Face with Base
	AOM	Air Over Motor, Three Phase	JPM	JP Pump Shaft and Face with Base, Three Phase
	AP	Subfractional HP, PM Motor	JS	Square Flange Pump Mount Motors with Threaded Shaft
	ASM	Arbor Saw Motor, Three Phase	K	Model 34 Diameter Motor with 56 C-Face, Less Base
	B	Brake Motor	L	Single Phase Motor
	BN	Brake Motor, TENV enclosure	M	Three Phase Motor
	BTG	Tachometer Generator	MM	Metric Dimension Motor with Base
Single Phase Motors	C	NEMA C-Face with Base	MP	Metering Pump Motor, Three Phase
	CD	Wound Field DC Motor NEMA C-Face with Base	MV	Metric Dimension Motor, Flange Mount less Base
	CDMG	Lifting Magnet Generator, C-Face	MVDM	Metric Dimension Motor, Flange Mount less Base, Three Phase
	CDP	PM SCR Drive Motor	N	Totally Enclosed Non-Ventilated Motor
	CDPSWD	Paint Free Washdown PM SCR Drive Motor C-Face with Base	OF	Oil Field Motor, Design D, High Slip
	CDPT	PM SCR Drive Motor with Integral Tachometer	PCL	Pressure Washer Motor, C-Face with base, Single Phase
	CDPWD	Washdown PM SCR Drive Motor NEMA C-Face with Base	PFTG	Tachometer Generator Foot Mount
	CDPX	Explosion Proof PM SCR Drive Motor C-Face with Base	PL	Pressure Washer Motor, Single Phase
	CDX	Explosion Proof Wound Field DC Motor, NEMA C-Face	PSC	Permanent Split Capacitor Motor
	General Purpose Industrial Motors	CFC	Condenser Fan Motor, Permanent Split Capacitor	PTG
CFM		Condenser Fan Motor, Three Phase	R	Repulsion-Start Induction-Run Motor
CHC		Direct Drive Fan Motor, Permanent Split Capacitor	RBM	High Cycle Brake Motor, Three Phase
CHL		Direct Drive Fan Motor, Single Phase	RHM	Definite Purpose HVAC Motors, Three Phase
CHM		Direct Drive Fan Motor, Three Phase	RL	Resilient Base Motor (Cradle Mount), Single Phase
CP		Severe Duty Motor	RM	Resilient Base Motor (Cradle Mount), Three Phase
CR		Crusher Duty Motor	RSP	Fan & Blower Motor, Resilient Base, Single Phase
CSC		Checkout Stand Motor	SPM	Synchronous Permanent Magnet Motor
CSM		Baldor Smart Motor	SSEWDM	All Stainless Encapsulated Super-E Washdown Motor, Three Phase
CTM		Cooling Tower Motor, Three Phase	SSEWDFM	All Stainless Encapsulated Super-E Washdown Motor, Three Phase, F-2 Mounted Connection Box
Severe Duty Motors	CWDSM	Washdown Baldor Smart Motor	SSFWDM	All Stainless Encapsulated Super-E Washdown Motor, Three Phase
	D	Wound Field DC Motor	SSSWDM	All Stainless Encapsulated Standard-E Washdown Motor, Three Phase
	DDC	Direct Drive, Indoor Blower Motor, Permanent Split Capacitor	SSWDM	All Stainless Washdown, Three Phase
	DEL	Dairy/Vacuum Pump Motor, Single Phase	SWDM	Paint Free Washdown Duty Motor, Three Phase
	E	Super-E Premium Efficient Motor	UCC	Universal Crop Dryer Motor, Permanent Split Capacitor, Open Air Over
	ECP	Super-E Severe Duty Motor	UCCE	Universal Crop Dryer Motor, Permanent Split Capacitor, TEAO
	ECP6	IEEE 661 Motor	UCL	Grain Dryer/Vane Axial Fan, Single Phase, Open Air Over
	ECP8	IEEE 841 Motor	UCLE	Grain Dryer/Vane Axial Fan, Single Phase, TEAO
	ENCP	Super-E Severe Duty Motor, TENV	UCM	Grain Dryer/Vane Axial Fan, Three Phase, Open Air Over
	ENCP8	IEEE 841 Motor, TENV	UCME	Grain Dryer/Vane Axial Fan, Three Phase, TEAO
Washdown Duty Motors	FDL	Farm Duty Motor, Single Phase	UH	Unit Handling Motor
	FLT	Filter Kit	UHM	Unit Handling Motor, Three Phase
	FM	F-2 Mounted Motor	V	NEMA C-Face Less Base
	FVB	Blower Kit	V2L	Two Compartment Jet Pump Motor C-Face less Base, Single Phase
	FWDM	Washdown Duty Motor, TEFC, Three Phase	VHECP	Super-E Vertical Pump Motor, Severe Duty - Normal Thrust
	GD	Grain Dryer Centrifugal Fan Motor	VHM	Vertical Pump Motor - Normal Thrust, Three Phase
	GSL	Grain Stirring Motor, Single Phase	VLCP	Vertical Pump Motor, Severe Duty - Medium Thrust
	H3M	HVAC Duty, Top Mounted Connection Box, Three Phase	VP	PM SCR Drive Motor with Metric Flange or C-Face
	HFM	HVAC Duty, F-2 Mounted Connection Box, Three Phase	VPCP	Vertical Pump Motor, Severe Duty - High Thrust
	HIC	Incubator/Hatchery Vent Fan Motor, Permanent Split Capacitor	WAM	Dirty Duty - Autophoretic Coating, Three Phase
Explosion Proof Motors	HM	HVAC Duty Motor, Three Phase	WC	West Coast Fit TCZ
	HPM	Hydraulic Pump Motor, Three Phase	WD	Washdown Duty Motor
	IDBRPM	RPMAC Inverter Drive Motor - Laminated Frame, TEBC	WDBM	Washdown Brake Motor, Three Phase
	IDCSWDM	Inverter Drive Motor, Paint Free Washdown, C-Face with Base	WWL	Wood Working Motor, Single Phase
	IDDRPM	RPMAC Inverter Drive Motor - Laminated Frame, DPG-FV	YPC	Yoke Pedestal Fan Motor, Permanent Split Capacitor
	IDFRPM	RPMAC Inverter Drive Motor - Laminated Frame, TEFC	ZDBRPM	RPMAC Vector Drive Motor - Laminated Frame, TEBC
	IDM	Inverter Drive Motor, TEBC	ZDFRPM	RPMAC Vector Drive Motor - Laminated Frame, TEFC
	IDNM	Inverter Drive Motor, TENV	ZDM	Vector Drive Motor, TEBC
	IDNRPM	RPMAC Inverter Drive Motor - Laminated Frame, TENV	ZDNM	Vector Drive Motor, TENV
	IDVSM	VS Master Inverter Drive Motor	ZDNRPM	RPMAC Vector Drive Motor - Laminated Frame, TENV
Pump Motors	IDVSNM	VS Master Inverter Drive Motor, TENV	ZDPM	RPMAC Permanent Magnet Rotor - Laminated Frame
	IDVSWDM	Inverter Drive Motor, Paint Free Washdown, C-Face Less Base	ZDVSCP	VS Master Severe Duty Vector Drive Motor
	IDWNM	Washdown Inverter Drive Motor, TENV	ZDVSM	VS Master Vector Drive Motor
	IDXM	Explosion Proof Inverter Drive Motor, TEFC	ZDVSNCP	VS Master Severe Duty Vector Drive Motor, TENV
	IM	Irrigation Drive Motor	ZDVSNM	VS Master Vector Drive Motor, TENV
	IR	Instant Reversing Single Phase Farm Motor	ZDVSNM	VS Master Vector Drive Motor, TENV
	J	56J Stainless Steel Threaded Shaft with Dripcover	ZDWNM	Washdown Vector Drive Motor, TENV

### Controls Prefix

D	Soft Start Control for DC Shunt, Compound, or Definite Purpose Motor
DMG	Lifting Magnet Generator
ID	Inverter Drive
LRA	Line Reactor
M	Multipurpose Soft Start Control
P15	Pre-Engineered Control Panel
RG	Regeneration Resistor Assembly
RT	Dynamic Braking Resistor Assembly
S	Single Phase Soft Start
SD	Series 23H Servo Control
T	Torque Control
VS1CSD	Variable Speed Drives - Servo Drives
VS1CTD	Variable Speed Drives - Cooling Tower Drives
VS1GV	Variable Speed Drives - General Vector Drives
VS1MD	Variable Speed Drives - Microdrives
VS1MX	Variable Speed Drives - Extreme Duty Microdrives
VS1PF	Variable Speed Drives - Pump/Fan Drives
VS1PM	Variable Speed Drives - Permanent Magnet Control
VS1SM	Variable Speed Drives - Sub-micro Drives
VS1SP	Variable Speed Drives - Standard Purpose Drives
VS1ST	Variable Speed Drives - Starter-Replacer Microdrives
ZD	Vector Control

### Gearing Prefix

BK	Single Phase Gearmotor Kit
DR	Double Reduction Adapter Kit
G	Subfractional HP Gear Motor
GC	Subfractional HP Gear Motor Permanent Split Capacitor and Split Phase
GCP	Parallel Shaft Subfractional HP Gear Motor Permanent Split Capacitor and Split Phase
GF	900 Series Reducers
GP	PM Subfractional HP Gear Motor
GPP	PM Parallel Shaft Subfractional HP Gear Motor
GSF	Universal Series Right Angle Gear Reducers
TA	Torque Arm

### Kits & Accessories Prefix

BLW	Blower Kit
BU	Bushing Kit
CBL	Cable Assembly
CC	Corrective Capacitor Bank
EN	Encoder Kit
FCD	Drip Cover Kit
FFC	Fan Cover/Conduit Box Kit
FL	Flange Kit
RBT	Roller Bearing Conversion Kit
RES	Resolver Feedback Kit
TK	Tachometer Mounting Kit

### Motors Suffix

/35	Full 140 Frame Band Diameter
/36	Full 180 Frame Band Diameter
-2	120/240V Field
-4	460 Volt Winding
-5	575 Volt Winding
-8	200 Volt Winding
-9	NEMA Design C High Torque Winding
-12	12 Leads
-50	Wound for 50 Hertz Service
-57	230/380-415 Volt Winding
-58	380-415 Volt Y-Start/Delta-Run
-277	277 Volt Winding
-2340	2300/4000 Volt Winding
-BV	Blower Vented
-C	Listing includes Class 1, Group C

-CI	Cast Iron Frame
-D	Dodge D-Series Brake
-G	Shaft Ground
-I	Explosion-Proof, 1.15 Service Factor
-NL	Non Linear - For VFD use
-P	Partial AC Motor Excludes Pulley Endplate
-S	Stearns Brake
-TP	Refrigerator Fan Motor
A	Automatic Thermal Overload
C	IEC Frame B14 Face Mount
D	IEC Frame B5 Flange Mount
L	Long shafted motor with Ball bearings that may be converted to have D.E. Roller bearing.
LR	Long shafted motor with D.E. Roller bearing that may be converted to Ball bearings.
M	Manual Thermal Overload
P	Wound Field DC Motor NEMA "AT" Frame
S	Motor has a short shaft for coupled loads
T	NEMA "T" Frame Dimensions
TP	Feather Picker Motor
TR	NEMA "T" Frame - Roller Bearing
TS	NEMA "T" Frame - Short Shaft

### Controls Suffix

-0	IP20- VS1 Drives
-1	NEMA 1 - VS1 Drives
-2	NEMA 1 2- VS1 Drives
-4	NEMA 4- VS1 Drives
-9	Chassis- VS1 Drives
-B	Braking (Both Transistor & Resistor) - VS1 Drives
-CL	Open Chassis Enclosure, Line Regenerative
-CO	Open Chassis Enclosure, No Internal braking
-D	Disconnect - VS1MX Drives
-D	Disconnect - VS1MX Drives
-E	Nema 1 Enclosure, built in Dynamic Braking
-EL	Nema 1 Enclosure, Line Regenerative
-EO	Nema 1 Enclosure, no internal braking
-ER	Nema 1 Enclosure, built in Dynamic Braking transistor
-F	EMC Filter - VS1 Drives
-L	DC Link Inductor - VS1 Drives
-MO	Protected Chassis enclosure, no internal braking
-P	Fused Protection - VS1 PFB Drives
-R	Output Reactor - VS1 PFB Drives
-T	Transistor Braking - VS1 Drives

### Gearing Suffix

900 Series	
A	56C Motor Flange
B	140TC Motor Flange
C	180TC Motor Flange
G	Left Hand Output Shaft
H	Double End Output Shaft
J	Right Hand Output Shaft
Universal Series	
A	56C or Right Hand Output Shaft
B	140TC Motor Flange
C	180TC Motor Flange

### Grinders Suffix

D	Deluxe
E	Exhaust Guards
W	Wide Design

## Three Phase, Totally Enclosed, Foot Mounted

### 1/2 thru 200 Hp

### NEMA 56 thru 449T



**Applications:** Energy saving applications where continuous operation is required. Suitable for use with inverter drives for variable torque and constant torque ratings as shown on page 215. NEMA Premium® efficiency, Inverter Ready per NEMA standard MG1 Part 31.4.4.2.

**Features:** Super-E® motors have Class F insulation, 1.15 service factor, low-loss electrical grade lamination steel, NEMA Premium® efficiency and 3 year warranty.

Hp	RPM	NEMA Frame	Encl.	Catalog Number	List Price	Mult. Sym.	"C" Dim.	Aprx. Wt. (lb)	Full Load Efficiency	Voltage	Full Load Amps	EISA Status (a)	Notes (a)
1/2	1800	56	TEFC	EM3538	583	LS	12.23	32	82.5	230/460	0.8	C	1, 30
	3600	56	TEFC	EM3545	565	K	12.25	33	84	230/460	1.4	C	1, 30
1	1800	56	TEFC	EM3546	652	LS	13.23	39	85.5	208-230/460	1.5	C	1
		143T	TEFC	EM3546T	623	LS	13.31	37	85.5	230/460	1.5	A	1, 30
		143T	TEFC	EM3581T	805	L1	12.53	54	85.5	230/460	1.5	A	1, 30
		56	TEFC	EM3556	741	K	15.48	57	82.5	230/460	1.7	C	1, 30
	1200	145T	TEFC	EM3556T	746	L1	15.56	39	82.5	230/460	1.7	A	1, 30
		145T	TEFC	EM3582T	902	L1	12.55	64	82.5	230/460	1.7	A	1, 30
1 1/2	3600	56	TEFC	EM3550	598	K	13.25	41	84	208-230/460	2	C	1
		143T	TEFC	EM3550T	640	L1	13.31	41	84	208-230/460	2	A	1
		143T	TEFC	EM3583T	851	L1	12.55	57	84	208-230/460	2	A	1
	1800	56	TEFC	EM3554	724	LS	14.10	48	86.5	208-230/460	2.1	C	1
		145T	TEFC	EM3554T	648	LS	14.19	48	86.5	230/460	2.1	A	1, 30
		145T	TEFC	EM3584T	835	L1	12.53	60	86.5	230/460	2.1	A	1, 30
	1200	182T	TEFC	EM3607T	872	L1	19.77	138	87.5	230/460	7.2	A	1, 30
		182T	TEFC	EM3667T	1,073	L1	15.24	100	87.5	208-230/460	2.6	A	1
		56	TEFC	EM3555	658	K	14.12	48	85.5	208-230/460	2.5	C	1
		145T	TEFC	EM3555T	701	L1	14.19	49	85.5	208-230/460	2.5	A	1
2	3600	145T	TEFC	EM3586T	894	L1	12.55	64	85.5	208-230/460	2.5	A	1
		56	TEFC	EM3558	766	LS	14.10	49	86.5	208-230/460	2.8	C	1
		145T	TEFC	EM3558T	672	LS	14.19	49	86.5	208-230/460	2.7	A	1
	1800	145T	TEFC	EM3587T	875	L1	12.55	65	86.5	208-230/460	2.8	A	1
		184T	TEFC	EM3614T	914	L1	18.05	79	88.5	208-230/460	3.3	A	1
	1200	184T	TEFC	EM3664T	1,090	L1	15.24	109	88.5	208-230/460	3.5	A	1
		145T	TEFC	EM3559T	786	L1	15.56	58	86.5	208-230/460	3.7	A	1
		182T	TEFC	EM3610T	777	L1	16.55	66	86.5	230/460	3.5	A	1, 30
3	3600	182T	TEFC	EM3660T	966	L1	15.24	85	86.5	230/460	3.5	A	1, 30
		182T	TEFC	EM3611T	742	LS	18.05	69	89.5	230/460	4.2	A	1
		182T	TEFC	EM3661T	993	L1	15.24	92	89.5	230/460	4	A	1, 30
	1200	213T	TEFC	EM3704T	1,189	L1	19.02	132	89.5	230/460	4.5	A	1, 30
		213T	TEFC	EM3764T	1,358	L1	18.45	175	89.5	230/460	4.5	A	1, 30
	5	3600	184T	TEFC	EM3613T	862	L1	16.55	77	88.5	230/460	5.6	A
184T			TEFC	EM3663T	1,189	L1	15.24	99	88.5	230/460	5.7	A	1, 30, 48
1800		184T	TEFC	EM3615T	812	LS	18.05	95	89.5	230/460	6.5	A	1, 30
		184T	TEFC	EM3665T	1,016	L1	15.24	114	89.5	230/460	6.5	A	1, 30
1200		215T	TEFC	EM3708T	1,343	L1	19.77	138	89.5	230/460	7.2	A	1, 30
		215T	TEFC	EM3768T	1,576	L1	18.45	193	89.5	230/460	7.3	A	1, 30
7 1/2	3600	184T	TEFC	EM3616T	1,137	L1	18.05	96	89.5	208-230/460	8.4	A	1
		213T	TEFC	EM3709T	1,291	L1	17.89	126	89.5	230/460	8.9	A	1, 30
		213T	TEFC	EM3769T	1,376	L1	18.45	165	89.5	230/460	8.6	A	1, 30, 48
	1800	213T	TEFC	EM3710T	1,171	LS	19.02	125	91.7	230/460	9.4	A	1, 30
		213T	TEFC	EM3770T	1,326	L1	18.45	170	91.7	230/460	9.5	A	1, 30
	1200	254T	TEFC	EM2276T	2,247	L1	23.16	298	91	230/460	10.7	A	2, 30

(a) See notes on inside back flap.

Custom TEFC motors available through 2,250 Hp; Open and WPIL custom motors through 15,000 Hp. Contact your Baldor•Reliance Sales Representative.

■ Cast Iron Frame



**Three Phase, Totally Enclosed, Foot Mounted**

Hp	RPM	NEMA Frame	Encl.	Catalog Number	List Price	Mult. Sym.	"C" Dim.	Aprx. Wt. (lb)	Full Load Efficiency	Voltage	Full Load Amps	EISA Status (a)	Notes (a)
10	3600	215T	TEFC	<b>EM3711T</b>	1,309	L1	19.02	154	90.2	230/460	11.2	A	1, 30
		215T	TEFC	<b>EM3771T</b>	1,613	L1	18.45	185	90.2	230/460	11.2	A	1, 30
	1800	215T	TEFC	<b>EM3714T</b>	1,322	LS	20.52	158	91.7	230/460	12.5	A	1, 30
		215T	TEFC	<b>EM3774T</b>	1,487	L1	18.45	231	91.7	230/460	12.5	A	1, 30
	1200	256T	TEFC	<b>EM2332T</b>	2,565	L1	23.16	282	91	230/460	14.2	A	1, 30
15	3600	215T	TEFC	<b>EM3713T</b>	1,847	L1	20.52	175	91	230/460	17	A	1, 30
		254T	TEFC	<b>EM2394T</b>	2,222	L1	23.16	270	91	230/460	17.2	A	1, 30
	1800	254T	TEFC	<b>EM2333T</b>	2,037	LS	23.16	255	92.4	230/460	18.5	A	1, 30
	1200	284T	TEFC	<b>EM4100T</b>	3,421	L1	27.76	421	91.7	230/460	19.7	A	1, 30
20	3600	256T	TEFC	<b>EM4106T</b>	2,439	L1	23.16	258	91	230/460	23	A	1, 30
	1800	256T	TEFC	<b>EM2334T</b>	2,470	LS	23.16	291	93	230/460	24	A	1, 30
	1200	286T	TEFC	<b>EM4102T</b>	4,555	L1	27.76	455	91.7	208-230/460	26	A	1
25	3600	256T	TEFC	<b>EM4118T</b>	2,844	L1	23.16	299	91.7	230/460	28	A	
		284TS	TEFC	<b>EM4107T</b>	3,182	L1	25.24	383	91.7	230/460	28	A	1, 30
	1800	284T	TEFC	<b>EM4103T</b>	3,231	LS	27.76	398	93.6	230/460	30	A	1, 30
		284T	TEFC	<b>EM4103T-12</b>	3,299	L1	27.76	398	93.6	230/460	30	A	1, 25, 30
	1200	324T	TEFC	<b>EM4111T</b>	5,154	L1	30.39	522	93	230/460	32	A	1, 30
30	3600	286TS	TEFC	<b>EM4108T</b>	3,781	L1	25.24	382	91.7	230/460	33	A	1, 30
	1800	286T	TEFC	<b>EM4104T</b>	3,833	LS	27.76	433	93.6	230/460	36	A	1, 30
		286T	TEFC	<b>EM4104T-12</b>	3,841	L1	27.76	433	93.6	230/460	38	A	1, 25
	1200	326T	TEFC	<b>EM4117T</b>	5,954	L1	30.28	606	93	230/460	39	A	1, 30
40	3600	324TS	TEFC	<b>EM4109T</b>	5,182	L1	28.78	502	92.4	230/460	45	A	1, 30
	1800	324T	TEFC	<b>EM4110T</b>	5,012	LS	30.28	602	94.1	230/460	46	A	1, 30
		324T	TEFC	<b>EM4110T-12</b>	5,121	L1	30.28	602	94.1	230/460	46	A	1, 25, 30
		1200	364T	TEFC	<b>EM4308T</b>	7,419	L1	32.84	834	94.1	230/460	50.5	A
50	3600	326TS	TEFC	<b>EM4114T</b>	5,669	L1	28.90	578	93	208-230/460	56	A	1, 30
	1800	326T	TEFC	<b>EM4115T</b>	5,477	LS	30.28	676	94.5	230/460	58	A	1, 30
		326T	TEFC	<b>EM4115T-12</b>	5,588	L1	30.28	676	94.5	230/460	58	A	1, 25
		326TS	TEFC	<b>EM4115TS</b>	5,538	L1	28.75	676	94.5	230/460	58	A	1
	1200	365T	TEFC	<b>EM4312T</b>	8,965	L1	32.84	858	94.1	230/460	61	A	1, 30
60	3600	364TS	TEFC	<b>EM4310T</b>	7,964	L1	30.72	816	93.6	230/460	68	A	1, 30
	1800	364T	TEFC	<b>EM4314T</b>	7,881	LS	32.84	814	95	230/460	69	A	1, 30
		364T	TEFC	<b>EM4314T-12</b>	8,056	L1	33.44	873	95	230/460	68	A	1, 25
		364TS	TEFC	<b>EM4314TS</b>	7,881	L1	31.31	873	95	230/460	68	A	1
	1200	404T	TEFC	<b>EM4403T</b>	10,882	L1	38.06	1214	94.5	230/460	72.5	A	1, 30
75	3600	365TS	TEFC	<b>EM4313T</b>	9,265	L1	30.72	878	93.6	230/460	83	A	1, 30
	1800	365T	TEFC	<b>EM4316T</b>	9,215	LS	32.84	908	95.4	230/460	86.5	A	1, 30
		365T	TEFC	<b>EM4316T-12</b>	9,430	L1	33.44	913	95.4	230/460	86	A	1, 25
		365TS	TEFC	<b>EM4316TS</b>	9,215	L1	31.31	913	95.4	230/460	86	A	1
	1200	405T	TEFC	<b>EM4404T</b>	12,672	L1	38.06	1213	94.5	230/460	88	A	1, 30
100	3600	405TS	TEFC	<b>EM4402T-4</b>	11,846	L1	35.31	1288	94.1	460	110	A	1
	1800	405T	TEFC	<b>EM4400T</b>	11,444	LS	37.22	1243	95.4	230/460	112	A	1
		405T	TEFC	<b>EM4400T-12</b>	11,422	L1	38.31	1323	95.4	230/460	112	A	1, 25
		405TS	TEFC	<b>EM4400TS</b>	11,444	L1	38.31	1323	95.4	230/460	112	A	1
	1200	444T	TEFC	<b>EM4409T-4</b>	15,294	L1	44.75	1779	95	460	115	A	1
125	3600	444TS	TEFC	<b>EM4412T-4</b>	14,642	L1	40.98	1711	95	460	137	A	1
	1800	444T	TEFC	<b>EM4410T-4</b>	14,167	LS	44.75	1449	95.4	460	139	A	1
		444TS	TEFC	<b>EM4410TS-4</b>	14,167	L1	40.98	1800	95.4	460	139	A	1
	1200	445T	TEFC	<b>EM4411T-4</b>	17,993	L1	44.75	1881	95	460	143	A	1
150	3600	445TS	TEFC	<b>EM4413T-4</b>	17,228	L1	40.98	1933	95	460	164	A	1
	1800	445T	TEFC	<b>EM4406T-4</b>	16,296	LS	44.75	1672	95.8	460	173	A	1, 25
		445TS	TEFC	<b>EM4406TS-4</b>	16,296	L1	40.98	1932	95.8	460	165	A	1
	1200	445T	TEFC	<b>EM44156T-4</b>	20,609	L1	48.24	2300	95.8	460	170	A	1
200	3600	447TS	TEFC	<b>EM4416T-4</b>	20,648	L1	44.48	1995	95.4	460	216	A	1
	1800	445T	TEFC	<b>EM4407T-4</b>	20,386	L1	48.24	2417	96.2	460	221	A	1
		445TS	TEFC	<b>EM4407TS-4</b>	20,386	L1	44.48	2417	96.2	460	221	A	1
		447T	TEFC	<b>EM4407TR-4</b>	20,443	L1	48.40	1875	96.2	460	221	A	1, 5
	1200	449T	TEFC	<b>EM44206T-4</b>	25,427	L1	53.24	2809	95.8	460	227	A	1

(a) See notes on inside back flap.

Custom TEFC motors available through 2,250 Hp; Open and WPIL custom motors through 15,000 Hp. Contact your Baldor•Reliance Sales Representative.

■ Cast Iron Frame

General Information

Premium Efficient Super-E® Motors

Single Phase Motors

General Purpose Industrial Motors

Severe Duty Motors

Washdown Duty Motors

Explosion Proof Motors

Pump Motors

Light Industrial/Commercial Motors

HVAC Motors

**Three Phase,  
Totally Enclosed,  
C-Face,  
Foot Mounted**

**1 thru 100 Hp**

**NEMA 56C thru 405TC**

**Applications:** Pumps, fans, conveyors, machine tools, gear reducers and other applications requiring a NEMA C-face motor.

**Features:** Class F insulation. 1.15 Service Factor. Inverter Ready per NEMA standard MG 1 Part 31.4.4.2. Super-E® motors have NEMA Premium® efficiency and 3 year warranty.



General Information

Premium Efficient Super-E® Motors

Single Phase Motors

General Purpose Industrial Motors

Severe Duty Motors

Washdown Duty Motors

Explosion Proof Motors

Pump Motors

Light Industrial/Commercial Motors

HVAC Motors

Hp	RPM	NEMA Frame	Encl.	Catalog Number	List Price	Mult. Sym.	"C" Dim.	Aprx. Wt. (lb)	Full Load Efficiency	Voltage	Full Load Amps	EISA Status (a)	Notes (a)
1	3600	56C	TEFC	CEM3545	588	K	12.25	34	84	230/460	1.4	C	30
		56C	TEFC	CEM3546	592	K	13.23	40	85.5	208-230/460	1.5	C	
	1800	143TC	TEFC	CEM3546T	654	LS	13.31	39	85.5	230/460	1.5	A	1, 30
		143TC	TEFC	CEM3581T	857	L1	13.03	56	85.5	208-230/460	1.5	A	1
1 1/2	1200	145TC	TEFC	CEM3556T	815	L1	14.19	50	82.5	230/460	1.7	A	1, 30
		56C	TEFC	CEM3550	622	K	13.25	42	84	208-230/460	2	C	
		143TC	TEFC	CEM3550T	672	L1	14.23	43	84	208-230/460	2	A	1
	3600	143TC	TEFC	CEM3583T	946	L1	13.05	57	84	208-230/460	2	A	1
		56C	TEFC	CEM3554	654	K	14.10	51	86.5	230/460	2.1	C	30
		145TC	TEFC	CEM3554T	679	LS	14.19	49	86.5	230/460	2.1	A	1, 30
	1800	145TC	TEFC	CEM3584T	886	L1	13.03	60	86.5	208-230/460	2.1	A	1
		182TC	TEFC	CEM3607T	945	L1	16.54	70	87.5	208-230/460	2.6	A	1
		56C	TEFC	CEM3555	681	K	14.12	50	85.5	208-230/460	2.5	C	
	2	3600	145TC	TEFC	CEM3555T	732	L1	14.19	51	85.5	208-230/460	2.5	A
145TC			TEFC	CEM3586T	948	L1	13.05	64	85.5	208-230/460	2.5	A	1
56C			TEFC	CEM3558	691	K	14.10	47	86.5	208-230/460	2.7	C	
1800		145TC	TEFC	CEM3558T	703	LS	14.19	51	86.5	208-230/460	2.7	A	1
		145TC	TEFC	CEM3587T	927	L1	13.03	64	86.5	208-230/460	2.8	A	1
		184TC	TEFC	CEM3614T	975	L1	18.05	79	88.5	208-230/460	3.3	A	
1200		184TC	TEFC	CEM3664T	1,177	L1	15.24	112	88.5	208-230/460	3.5	A	1
		145TC	TEFC	CEM3559T	817	L1	15.54	49	86.5	230/460	3.7	A	1
3	3600	182TC	TEFC	CEM3610T	841	L1	16.55	70	86.5	230/460	3.5	A	
		182TC	TEFC	CEM3660T	1,054	L1	16.00	95	86.5	230/460	3.5	A	1, 30
		182TC	TEFC	CEM3611T	805	LS	16.55	74	89.5	208-230/460	4.1	A	
	1800	182TC	TEFC	CEM3661T	1,081	L1	16.00	98	89.5	230/460	4	A	1, 30
		213TC	TEFC	CEM3704T	1,308	L1	19.02	129	89.5	230/460	4.6	A	1
		213TC	TEFC	CEM3764T	1,530	L1	18.45	180	89.5	230/460	4.5	A	1, 30
	1200	184TC	TEFC	CEM3613T	926	L1	16.55	81	88.5	230/460	5.9	A	
		184TC	TEFC	CEM3663T	1,278	L1	16.00	107	88.5	230/460	5.7	A	1, 30
184TC		TEFC	CEM3615T	875	LS	18.05	96	89.5	230/460	6.5	A		
184TC		TEFC	CEM3665T	1,104	L1	16.00	116	89.5	208-230/460	6.5	A	1	
5	1800	215TC	TEFC	CEM3708T	1,453	L1	19.77	126	89.5	230/460	7.2	A	1, 30
		215TC	TEFC	CEM3768T	1,748	L1	18.45	198	89.5	230/460	7.4	A	1
	3600	184TC	TEFC	CEM3616T	1,200	L1	18.05	100	89.5	208-230/460	8.4	A	1
		213TC	TEFC	CEM3709T	1,414	L1	17.89	130	89.5	230/460	8.9	A	1, 30
7 1/2	3600	213TC	TEFC	CEM3769T	1,551	L1	19.20	180	89.5	230/460	8.6	A	1, 30
		213TC	TEFC	CEM3710T	1,290	LS	19.02	140	91.7	230/460	9.4	A	1, 30
		213TC	TEFC	CEM3770T	1,501	L1	19.20	175	91.7	230/460	9.5	A	1, 30
	1800	215TC	TEFC	CEM3711T	1,428	L1	19.02	158	90.2	230/460	11.2	A	1, 30
215TC		TEFC	CEM3771T	1,788	L1	19.20	197	90.2	230/460	11.2	A	1, 30	
215TC		TEFC	CEM3714T	1,439	LS	20.52	162	91.7	230/460	12.5	A	1, 30	
10	3600	215TC	TEFC	CEM3774T	1,663	L1	19.20	231	91.7	230/460	12.5	A	1, 30
		215TC	TEFC	CEM3713T	1,965	L1	21.25	175	91	230/460	17	A	1
	1800	254TC	TEFC	CEM2394T	2,750	L1	23.78	285	91	230/460	17.2	A	1, 30
		254TC	TEFC	CEM2333T	2,950	LS	23.78	255	92.4	230/460	18.5	A	1, 30
15	3600	256TC	TEFC	CEM4106T	2,967	L1	23.78	258	91	230/460	22.5	A	1, 30
		256TC	TEFC	CEM2334T	3,006	L1	23.78	286	93	230/460	24	A	1, 30
	1800	256TC	TEFC	CEM2334T	3,006	L1	23.78	286	93	230/460	24	A	1, 30

(a) See notes on inside back flap.

Custom TEFC motors available through 2,250 Hp; Open and WPll custom motors through 15,000 Hp. Contact your Baldor•Reliance Sales Representative.

Cast Iron Frame

Three Phase, Totally Enclosed, C-Face, Foot Mounted

Hp	RPM	NEMA Frame	Encl.	Catalog Number	List Price	Mult. Sym.	"C" Dim.	Aprx. Wt. (lb)	Full Load Efficiency	Voltage	Full Load Amps	EISA Status (a)	Notes (a)
25	3600	284TSC	TEFC	CEM4107T	3,916	L1	25.25	383	91.7	230/460	28	A	1, 30
	1800	284TC	TEFC	CEM4103T	3,975	L1	27.76	393	93.6	230/460	30	A	1, 30
30	3600	284TSC	TEFC	CEM4108T	4,369	L1	24.70	395	91.7	230/460	33	A	1, 30
	1800	286TC	TEFC	CEM4104T	4,580	L1	27.76	437	93.6	230/460	36	A	1, 30
40	3600	324TSC	TEFC	CEM4109T	5,963	L1	28.78	528	92.4	230/460	45	A	1, 30
	1800	324TC	TEFC	CEM4110T	5,836	L1	30.28	614	94.1	230/460	46	A	1, 30
50	3600	326TSC	TEFC	CEM4114T	6,449	L1	28.90	587	93	230/460	56	A	1, 30
	1800	326TC	TEFC	CEM4115T	6,303	L1	30.28	645	94.5	230/460	57	A	1, 30
60	3600	364TSC	TEFC	CEM4310T	8,816	L1	31.31	820	93.6	230/460	65.1	A	1
	1800	364TC	TEFC	CEM4314T	8,788	L1	32.84	816	95	230/460	69	A	1, 30
75	3600	365TSC	TEFC	CEM4313T	10,116	L1	31.31	890	93.6	230/460	80.7	A	1
	1800	365TC	TEFC	CEM4316T	10,127	L1	32.84	911	95.4	230/460	84	A	1, 30
100	1800	405TC	TEFC	CEM4400T	13,375	L1	38.06	1191	95.4	230/460	109	A	1, 30

(a) See notes on inside back flap.

Custom TEFC motors available through 2,250 Hp; Open and WPIL custom motors through 15,000 Hp. Contact your Baldor•Reliance Sales Representative.

■ Cast Iron Frame

Three Phase, Totally Enclosed, C-Face, Footless

1/2 thru 10 Hp

NEMA 56C thru 215TC

**Applications:** Pumps, fans, conveyors, machine tools, gear reducers and other applications requiring a NEMA C-face motor.



**Features:** Ball bearings with a locked drive end bearing and heavy-gauge steel or cast iron frame. Super-E® motors have NEMA Premium® efficiency and 3 year warranty.

Hp	RPM	NEMA Frame	Encl.	Catalog Number	List Price	Mult. Sym.	"C" Dim.	Aprx. Wt. (lb)	Full Load Efficiency	Voltage	Full Load Amps	EISA Status (a)	Notes (a)	
1/2	1800	56C	TEFC	VEM3538	614	LS	12.24	31	82.5	230/460	0.8	C	1, 30, 48	
3/4	1800	56C	TEFC	VEM3542	652	LS	12.24	34	84	230/460	1.1	C	1	
1	1800	3600	56C	TEFC	VEM3545	584	K	12.24	32	84	230/460	1.4	C	1, 30
		56C	TEFC	VEM3546	671	LS	13.24	39	85.5	208-230/460	1.5	C	1	
		56C	TEFC	VEM3581	853	K	12.49	58	85.5	208-230/460	1.5	C	1	
		143TC	TEFC	VEM3546T	684	LS	13.31	42	85.5	208-230/460	1.5	B	1	
		143TC	TEFC	VEM3581T	853	L1	13.03	55	85.5	208-230/460	1.5	B	1	
1 1/2	1800	3600	56C	TEFC	VEM3550	616	K	13.24	41	84	208-230/460	2	C	1
		56C	TEFC	VEM3554	746	LS	14.12	48	86.5	230/460	2.1	C	1, 30	
		145TC	TEFC	VEM3554T	714	LS	14.19	49	86.5	208-230/460	2.1	B	1	
		145TC	TEFC	VEM3584T	855	L1	13.03	61	86.5	208-230/460	2.1	B	1	
2	1800	3600	56C	TEFC	VEM3555	676	K	14.12	49	85.5	208-230/460	2.5	C	1
		56C	TEFC	VEM3558	787	LS	14.12	49	86.5	208-230/460	2.7	C	1	
		145TC	TEFC	VEM3558T	801	LS	14.17	47	86.5	208-230/460	2.6	B		
3	1800	145TC	TEFC	VEM3587T	921	L1	13.03	64	86.5	208-230/460	2.8	B	1	
		3600	182TC	TEFC	VEM3610T	827	L1	15.18	67	86.5	230/460	3.7	B	
		1800	182TC	TEFC	VEM3611T	908	L1	16.55	71	89.5	208-230/460	4.1	B	
5	1800	182TC	TEFC	VEM3661T	1,066	L1	16.00	97	89.5	230/460	4	B	1, 30	
		3600	184TC	TEFC	VEM3613T	912	L1	16.55	78	88.5	230/460	5.6	B	
		1800	184TC	TEFC	VEM3615T	990	L1	18.05	94	89.5	230/460	6.5	B	30
7 1/2	1800	VEM3665T	1,090	L1	16.00	126	89.5	208-230/460	6.5	B	1			
		213TC	TEFC	VEM3710T	1,268	L1	19.76	127	91.7	208-230/460	9.4	B		
		213TC	TEFC	VEM3770T	1,481	L1	19.25	170	91.7	230/460	9.5	B	1, 30	
10	1800	215TC	TEFC	VEM3714T	1,417	L1	21.26	165	91.7	208-230/460	12	B		
		215TC	TEFC	VEM3774T	1,643	L1	19.25	231	91.7	230/460	12.5	B	1, 30	

(a) See notes on inside back flap.

■ Cast Iron Frame

General Information

Premium Efficient Super-E® Motors

Single Phase Motors

General Purpose Industrial Motors

Severe Duty Motors

Washdown Duty Motors

Explosion Proof Motors

Pump Motors

Light Industrial/Commercial Motors

HVAC Motors



Three Phase,  
Open Drip Proof,  
Foot Mounted

1 thru 300 Hp

NEMA 56 thru 447T

**Applications:** Pumps, compressors, fans, conveyors, machine tools and other general purpose three phase applications.

**Features:** Copper windings, ball bearings and heavy duty steel or cast iron frames. Mount in any position. Super-E® motors have NEMA Premium® efficiency and 3 year warranty.



General Information

Premium Efficient Super-E® Motors

Single Phase Motors

General Purpose Industrial Motors

Severe Duty Motors

Washdown Duty Motors

Explosion Proof Motors

Pump Motors

Light Industrial/Commercial Motors

HVAC Motors

Hp	RPM	NEMA Frame	Catalog Number	List Price	Mult. Sym.	"C" Dim.	Aprx. Wt. (lb)	Full Load Efficiency	Voltage	Full Load Amps	EISA Status (a)	Notes (a)
1	3600	56	EM3115	483	K	11.06	32	84	230/460	1.4	C	1, 30
	1800	143T	EM3116T	628	LS	11.62	36	85.5	230/460	1.5	A	1, 30
	1200	145T	EM3156T	641	L1	13.00	44	82.5	230/460	1.7	A	1, 30
1 1/2	3600	143T	EM3120T	539	L1	11.12	36	84	208-230/460	2.1	A	1
	1800	145T	EM3154T	656	LS	13.00	44	86.5	230/460	2.1	A	1, 30
	1200	182T	EM3207T	750	L1	15.00	72	86.5	208-230/460	2.6	A	1
2	3600	143T	EM3155T	633	L1	11.62	40	85.5	208-230/460	2.5	A	1
	1800	145T	EM3157T	703	LS	13.00	46	86.5	230/460	2.8	A	1
	1200	184T	EM3215T	767	L1	16.50	85	87.5	208-230/460	3.5	A	1
3	3600	145T	EM3158T	641	L1	13.00	52	85.5	230/460	3.7	A	1, 30
	1800	182T	EM3211T	758	LS	15.00	75	89.5	230/460	4	A	1, 30
		182T	EM3211TA	852	L1	15.00	75	89.5	230/460	4	A	1, 30
	1200	213T	EM3305T	976	L1	16.32	117	88.5	230/460	4.4	A	1, 30
5	3600	182T	EM3212T	700	L1	15.00	76	86.5	208-230/460	5.6	A	1
	1800	184T	EM3218T	830	LS	16.50	85	89.5	230/460	6.6	A	1, 30
		184T	EM3218TA	902	L1	16.50	85	89.5	230/460	6.6	A	1, 30
7 1/2	1200	215T	EM3309T	1,279	L1	17.45	126	89.5	230/460	7.3	A	1, 30
	3600	184T	EM3219T	1,110	L1	16.50	89	88.5	230/460	8	A	1
	1800	213T	EM3311T	1,220	LS	16.32	117	91	230/460	9.6	A	1, 30
10	1200	254T	EM2506T	1,533	L1	23.19	245	90.2	230/460	10.7	A	1, 30
	3600	213T	EM3312T	1,269	L1	17.45	130	89.5	230/460	11.5	A	1, 30
	1800	215T	EM3313T	1,477	LS	17.45	128	91.7	230/460	12.5	A	1, 30
	1200	256T	EM2511T	1,995	L1	23.19	249	91.7	230/460	14.3	A	1, 30
15	3600	215T	EM3314T	1,803	L1	17.45	147	90.2	230/460	17	A	1, 30
	1800	254T	EM2513T	2,091	LS	21.69	217	93	230/460	17.7	A	1, 30
		254T	EM2513T-CI	1,986	L1	20.63	255	93	230/460	17.8	A	30
	1200	284T	EM2524T	2,690	L1	23.81	375	91.7	230/460	20	A	1, 30
20	3600	254T	EM2514T	2,118	L1	21.69	206	91	230/460	22.5	A	1, 30
	1800	256T	EM2515T	2,290	L1	21.69	237	93	230/460	23.5	A	1, 30
		256T	EM2515T-12	2,334	L1	21.69	237	93	230/460	23.5	A	1, 25, 30
		256T	EM2515T-CI	2,496	L1	22.38	283	93	230/460	24	A	30
25	1200	286T	EM2528T	3,274	L1	25.06	372	92.4	230/460	26	A	1, 30
	3600	256T	EM2516T	2,543	L1	21.69	242	91.7	230/460	28	A	1, 30
	1800	284T	EM2531T	2,791	L1	23.81	330	93.6	230/460	30	A	1, 30
		284T	EM2531T-12	2,845	L1	23.81	330	93.6	230/460	30	A	1, 25, 30
284T		EM2531T-CI	3,043	L1	23.44	420	93.6	230/460	30	A	30	
30	1200	324T	EM2532T	3,954	L1	27.69	478	93	208-230/460	32	A	1
	3600	284TS	EM2534T	3,001	L1	22.44	323	91.7	208-230/460	34	A	1
	1800	286T	EM2535T	3,052	L1	25.06	372	94.1	230/460	35	A	1, 30
		286T	EM2535T-12	3,114	L1	25.06	372	94.1	230/460	35	A	1, 25, 30
		286T	EM2535T-CI	3,327	L1	24.94	425	94.1	230/460	35	A	30
	1200	326T	EM2536T	4,125	L1	28.69	474	93.6	230/460	38	A	1, 30

(a) See notes on inside back flap.

■ Cast Iron Frame

Three Phase, Open Drip Proof, Foot Mounted

Hp	RPM	NEMA Frame	Catalog Number	List Price	Mult. Sym.	"C" Dim.	Aprx. Wt. (lb)	Full Load Efficiency	Voltage	Full Load Amps	EISA Status (a)	Notes (a)
40	3600	286TS	EM2538T	3,866	L1	23.69	378	92.4	208-230/460	45	A	1
		286TS	EM2538T-CI	4,215	L1	23.57	437	92.4	208-230/460	45	A	
	1800	324T	EM2539T	3,982	L1	26.69	441	94.1	230/460	46	A	1, 30
		324T	EM2539T-12	4,061	L1	26.69	441	94.1	230/460	46	A	1, 25, 30
		324T	EM2539T-CI	4,341	L1	26.13	579	94.1	230/460	46	A	30
	1200	364T	EM2540T	5,579	L1	29.81	565	94.1	230/460	50	A	1, 30
364T		EM2540T-CI	5,876	L1	29.69	827	94.1	230/460	50	A	1, 30	
50	3600	324TS	EM2542T	4,211	L1	25.69	447	93	208-230/460	54	A	1
		324TS	EM2542T-CI	4,775	L1	24.62	585	93	208-230/460	56	A	
	1800	326T	EM2543T	4,394	L1	27.69	472	94.5	230/460	57	A	1, 30
		326T	EM2543T-12	4,487	L1	27.69	536	94.5	230/460	57	A	1, 25, 30
		326T	EM2543T-CI	4,790	L1	27.63	578	94.5	230/460	57	A	
		326TS	EM2543TS-12	4,487	L1	26.75	536	94.5	230/460	57	A	1, 25, 30
	1200	365T	EM2544T	6,737	L1	29.69	807	94.1	230/460	62	A	1, 30
		365T	EM2544T-CI	7,114	L1	29.69	857	94.1	230/460	62	A	
60	3600	326TS	EM2546T	5,328	L1	25.19	463	93.6	230/460	65	A	1
		364T	EM2547T	5,532	L1	30.69	698	95	230/460	68	A	1, 30
	1800	364T	EM2547T-12	5,648	L1	30.69	698	95	230/460	68	A	1, 25, 30
		364T	EM2547T-CI	6,029	L1	30.69	704	95	230/460	68	A	
		364TS	EM2547TS-12	5,648	L1	30.69	698	95	230/460	68	A	1, 25, 30
	1200	404T	EM2548T	8,300	L1	33.22	850	95	230/460	0	A	1
		404T	EM2548T-4CI	9,031	L1	34.00	1127	95	460	72	A	
75	3600	364TS	EM2549T	6,989	L1	25.81	507	93.6	208-230/460	82	A	1
		365T	EM2551T	6,790	L1	33.72	808	95	230/460	86	A	1, 30
	1800	365T	EM2551T-12	6,931	L1	33.72	808	95	230/460	86	A	1, 25
		365T	EM2551T-CI	7,400	L1	29.69	727	95	230/460	86	A	
		365TS	EM2551TS-12	6,931	L1	32.78	808	95	230/460	86	A	1, 25
	1200	405T	EM2552T-4	10,055	L1	34.00	1092	94.5	460	88	A	1, 25
100	3600	365TS	EM2550T	7,471	L1	26.81	810	93.6	208-230/460	109	A	1
		404T	EM2555T-12	8,058	L1	36.97	898	95.4	230/460	115	A	1, 25
	1800	404T	EM2555T-4	7,900	L1	36.97	898	95.4	460	115	A	1, 25
		404T	EM2555T-CI	8,610	L1	34.00	1039	95.4	230/460	115	A	
		404TS	EM2555TS-12	8,058	L1	34.16	898	95.4	230/460	115	A	1, 25
	1200	444T	EM2583T-4	11,067	L1	39.62	1349	95	460	123	A	1, 25
125	3600	404TS	EM2554T-4	9,376	L1	33.60	1074	94.1	460	138	A	1, 25
		404TS	EM2554T-4CI	11,187	L1	31.00	1021	94.1	460	138	A	
	1800	405T	EM2559T-4	9,691	L1	34.47	1238	95.4	460	143	A	1, 25
		405T	EM2559T-4CI	10,562	L1	34.00	1129	95.4	460	143	A	
		405TS	EM2559TS-4	9,691	L1	31.47	1238	95.4	460	143	A	1
1200	445T	EM2557T-4	11,952	L1	39.62	1535	95	460	146	A	1, 25	
150	3600	405TS	EM2556T-4	11,566	L1	34.60	831	94.1	460	164	A	1, 25
		444T	EM2558T-4	10,765	L1	39.62	1405	95.8	460	170	A	1, 25
	1800	444TS	EM2558TS-4	10,765	L1	35.81	1405	95.8	460	170	A	1
		445T	EM2560T-4	14,076	L1	39.62	1620	95.4	460	176	A	1, 25
200	3600	444TS	EM2562T-4	13,107	L1	35.88	1326	95	460	217	A	1, 25
	1800	445T	EM2563T-4	13,452	L1	39.62	1496	95.8	460	226	A	1, 25
	1200	447T	EM2564T-4	18,503	L1	48.12	1909	95.4	460	234	A	1, 25
250	1800	447T	EM2566T-4	15,085	L1	39.62	1592	95.8	460	280	B	1, 25
300	1800	445T	EM2569T-4	19,771	L1	39.62	1702	95.8	460	335	B	1, 25

(a) See notes on inside back flap.

Custom TEFC motors available through 2,250 Hp; Open and WPIL custom motors through 15,000 Hp. Contact your Baldor•Reliance Sales Representative.

■ Cast Iron Frame

General Information

Premium Efficient Super-E® Motors

Single Phase Motors

General Purpose Industrial Motors

Severe Duty Motors

Washdown Duty Motors

Explosion Proof Motors

Pump Motors

Light Industrial/Commercial Motors

HVAC Motors

**BALDOR • RELIANCE****Premium Efficient Super-E® Motors**

**Three Phase,  
TEFC and ODP,  
Foot Mounted,  
With Internal  
AEGIS™  
Shaft Ground**

**1 thru 50 Hp****NEW!****NEMA 143T thru 326T**

**Applications:** Heating, ventilation and air conditioning blower and fan motors, pump motors, and other general purpose applications using an adjustable speed drive.

**Features:** Class H insulated motor with AEGIS™ shaft grounding ring installed internally. Regreasable ball bearings. Dynamically balanced rotors for reduced vibration and quiet operation. Suitable for mounting in any position. All models meet or exceed NEMA Premium® efficiencies, are Inverter Ready, and have a 3-year warranty.



Hp	RPM	NEMA Frame	Catalog Number	List Price	Mult. Sym.	"C" Dim.	Aprx. Wt. (lb)	Full Load Efficiency	Voltage	Full Load Amps	EISA Status <sup>(a)</sup>	Notes <sup>(a)</sup>
<b>Totally Enclosed Fan Cooled</b>												
1	1800	143T	EM3546T-G	727	L1	12.31	37	85.5	208-230/460	1.5	A	
1 1/2	1800	145T	EM3554T-G	751	L1	14.19	42	86.5	230/460	2.1	A	30
2	1800	145T	EM3558T-G	775	L1	14.19	49	86.5	208-230/460	2.7	A	
3	1800	182T	EM3611T-G	856	L1	16.15	69	89.5	230/460	4	A	30
5	1800	184T	EM3615T-G	926	L1	18.05	95	89.5	208-230/460	6.7	A	30
7 1/2	1800	213T	EM3710T-G	1,289	L1	19.02	125	91.7	230/460	9.4	A	30
10	1800	215T	EM3714T-G	1,440	L1	20.52	158	91.7	208-230/460	12	A	
15	1800	254T	EM2333T-G	2,190	L1	23.16	255	92.4	230/460	18.5	A	30
20	1800	256T	EM2334T-G	2,623	L1	23.16	291	93	230/460	24	A	30
25	1800	284T	EM4103T-G	3,408	L1	27.76	398	93.6	230/460	30	A	30
30	1800	286T	EM4104T-G	4,009	L1	27.76	433	93.6	230/460	38	A	
40	1800	324T	EM4110T-G	5,212	L1	30.28	602	94.1	230/460	48	A	30
50	1800	326T	EM4115T-G	5,676	L1	30.28	676	94.5	230/460	58	A	
<b>Open Drip Proof</b>												
1	1800	143T	EM3116T-G	652	L1	11.12	36	85.5	208-230/460	1.5	A	
1 1/2	1800	145T	EM3154T-G	677	L1	13.00	44	86.5	230/460	2.1	A	30
2	1800	145T	EM3157T-G	718	L1	13.00	46	86.5	230/460	2.8	A	30
3	1800	182T	EM3211T-G	776	L1	15.00	75	89.5	230/460	4	A	30
5	1800	184T	EM3218T-G	839	L1	16.50	85	89.5	208-230/460	6.6	A	
7 1/2	1800	213T	EM3311T-G	1,184	L1	16.32	117	91	208-230/460	9.7	A	
10	1800	215T	EM3313T-G	1,408	L1	17.45	128	91.7	208-230/460	12.5	A	
15	1800	254T	EM2513T-G	1,981	L1	21.69	217	93	230/460	17.7	A	30
20	1800	256T	EM2515T-G	2,447	L1	21.69	237	93	208-230/460	23.5	A	
25	1800	284T	EM2531T-G	2,974	L1	23.81	330	93.6	230/460	30	A	30
30	1800	286T	EM2535T-G	3,235	L1	25.06	372	94.1	230/460	35	A	30
40	1800	324T	EM2539T-G	4,191	L1	26.69	441	94.1	230/460	46	A	30
50	1800	326T	EM2543T-G	4,603	L1	27.69	472	94.5	230/460	57	A	30

<sup>(a)</sup> See notes on inside back flap.

■ Cast Iron Frame



Three Phase,  
Open Drip Proof,  
C-Face,  
Foot Mounted

1 thru 100 Hp

NEMA 143TC thru 404TC

Applications: Pumps, fans, conveyors, machine tools, gear reducers.



Features: Pressure cast aluminum end plates with ribbed design for rigidity, ball bearings, locked drive end bearing, heavy gauge steel frame. Super-E® motors have NEMA Premium® efficiency and 3 year warranty.

Hp	RPM	NEMA Frame	Catalog Number	List Price	Mult. Sym.	"C" Dim.	Aprx. Wt. (lb)	Full Load Efficiency	Voltage	Full Load Amps	EISA Status (a)	Notes (a)
1	1800	143TC	CEM3116T	588	L1	14.38	33	85.5	230/460	1.5	A	1, 30
1 1/2	1800	145TC	CEM3154T	605	L1	13.00	41	86.5	230/460	2.1	A	1, 30
2	1800	145TC	CEM3157T	646	L1	13.00	47	86.5	230/460	2.8	A	1, 30
3	3600	145TC	CEM3158T	673	L1	13.00	53	85.5	230/460	3.7	A	1, 30
	1800	182TC	CEM3211T	763	L1	15.00	72	89.5	230/460	4	A	1, 30
5	3600	182TC	CEM3212T	760	L1	13.62	80	86.5	208-230/460	6	A	1
	1800	184TC	CEM3218T	801	L1	16.50	88	89.5	230/460	6.6	A	1, 30
7 1/2	3600	184TC	CEM3219T	1,217	L1	15.00	89	88.5	230/460	9	A	1, 30
	1800	213TC	CEM3311T	1,205	L1	16.32	120	91	230/460	9.6	A	1, 30
10	3600	213TC	CEM3312T	1,406	L1	17.45	132	89.5	230/460	11.5	A	1, 30
	1800	215TC	CEM3313T	1,430	L1	17.45	130	91.7	230/460	12.5	A	1, 30
15	3600	215TC	CEM3314T	1,939	L1	17.45	150	90.2	230/460	17	A	1, 30
	1800	254TC	CEM2513T	2,115	L1	19.56	220	93	230/460	17.7	A	1, 30
20	3600	254TC	CEM2514T	2,400	L1	21.69	210	91	230/460	22.5	A	1, 30
	1800	256TC	CEM2515T	2,575	L1	21.69	240	93	230/460	23.5	A	1, 30
25	3600	256TC	CEM2516T	2,826	L1	21.69	245	91.7	230/460	28	A	1, 30
	1800	284TC	CEM2531T	3,299	L1	26.19	335	93.6	230/460	30	A	1, 30
30	1800	286TC	CEM2535T	3,559	L1	26.19	375	94.1	230/460	35	A	1, 30
40	1800	324TC	CEM2539T	4,689	L1	27.94	533	94.1	230/460	46	A	1, 30
50	1800	326TC	CEM2543T	5,103	L1	28.94	475	94.5	230/460	57	A	1, 30
60	1800	364TC	CEM2547T	6,347	L1	30.69	468	95	230/460	68	A	1, 30
75	1800	365TC	CEM2551T	7,605	L1	35.22	820	95	230/460	86	A	1
100	1800	404TC	CEM2555T	8,802	L1	36.97	920	95.4	230/460	115	A	1

(a) See notes on inside back flap.

General Information

Premium Efficient Super-E® Motors

Single Phase Motors

General Purpose Industrial Motors

Severe Duty Motors

Washdown Duty Motors

Explosion Proof Motors

Pump Motors

Light Industrial/Commercial Motors

HVAC Motors

**BALDOR • RELIANCE****Premium Efficient Super-E® Motors****200 Volt,  
Three Phase,  
TEFC, Foot Mounted****1 thru 50 Hp****NEMA 143T thru 326T****Applications:** Pumps, fans, compressors, blowers, machine tools, conveyors and many other applications requiring 200 volt power.**Features:** 1.15 Service Factor, positively locked drive end bearing on 254T and larger, ball bearings, dynamically balanced rotors. Super-E® motors have NEMA Premium® efficiency and 3 year warranty.

Hp	RPM	NEMA Frame	Catalog Number	List Price	Mult. Sym.	"C" Dim.	Aprx. Wt. (lb)	Full Load Efficiency	Voltage	Full Load Amps	EISA Status (a)	Notes (a)
1	1800	143T	<a href="#">EM3546T-8</a>	641	L1	13.31	39	85.5	200	3.5	B	1, 30, 68
1 1/2	1800	145T	<a href="#">EM3554T-8</a>	666	L1	14.19	48	86.5	200	4.8	B	1, 30, 68
2	1800	145T	<a href="#">EM3558T-8</a>	690	L1	14.19	49	86.5	200	6.3	B	1, 30, 68
3	3600	182T	<a href="#">EM3660T-8</a>	990	L1	15.24	89	86.5	200	7.8	B	1, 30, 68
	1800	182T	<a href="#">EM3661T-8</a>	1,018	L1	15.24	91	89.5	200	9.1	B	1, 30, 68
5	3600	184T	<a href="#">EM3663T-8</a>	1,218	L1	15.24	97	88.5	200	13	B	1, 30, 68
	1800	184T	<a href="#">EM3665T-8</a>	1,019	L1	15.24	109	89.5	200	14.9	B	1, 30, 68
7 1/2	3600	213T	<a href="#">EM3769T-8</a>	1,410	L1	18.45	173	89.5	200	19.8	B	1, 68
	1800	213T	<a href="#">EM3770T-8</a>	1,358	L1	18.45	170	91.7	200	21.4	B	1, 68
10	3600	215T	<a href="#">EM3771T-8</a>	1,653	L1	18.45	203	90.2	200	26.5	B	1, 30, 68
	1800	215T	<a href="#">EM3774T-8</a>	1,525	L1	18.45	231	91.7	200	28.4	B	1, 30, 68
15	3600	254T	<a href="#">EM2394T-8</a>	2,276	L1	23.16	267	91	200	40	B	1, 30, 68
	1800	254T	<a href="#">EM2333T-8</a>	2,094	L1	23.16	238	92.4	200	42.4	B	1, 30, 68
20	3600	256T	<a href="#">EM4106T-8</a>	2,499	L1	23.16	285	91	200	52	B	1, 24, 30, 69
	1800	256T	<a href="#">EM2334T-8</a>	2,540	L1	23.16	286	93	200	55.2	B	1, 24, 30, 69
25	3600	284TS	<a href="#">EM4107T-8</a>	3,260	L1	25.70	382	91.7	200	65	B	1, 24, 69
	1800	284T	<a href="#">EM4103T-8</a>	3,321	L1	27.76	407	93.6	200	68.4	B	1, 24, 69
30	3600	286TS	<a href="#">EM4108T-8</a>	3,875	L1	24.70	407	91.7	200	76	B	1, 24, 69
	1800	286T	<a href="#">EM4104T-8</a>	3,941	L1	27.76	426	93.6	200	84	B	1, 24, 69
40	1800	324T	<a href="#">EM4110T-8</a>	5,154	L1	30.28	604	94.1	200	111	B	1, 24, 69
50	1800	326T	<a href="#">EM4115T-8</a>	5,632	L1	30.28	632	94.5	200	131	B	1, 24, 69

(a) See notes on inside back flap.

■ Cast Iron Frame

**200 Volt,  
Three Phase,  
ODP, Foot Mounted**

**1 thru 100 Hp**

**NEMA 143T thru 404T**

**Applications:** Pumps, fans, compressors, blowers, machine tools, conveyors and many other applications requiring 200 volt power.



**Features:** 1.15 Service Factor, positively locked drive end bearing on 254T and larger, ball bearings, dynamically balanced rotors. Super-E motors have NEMA Premium® efficiency and 3 year warranty.

Hp	RPM	NEMA Frame	Catalog Number	List Price	Mult. Sym.	"C" Dim.	Aprx. Wt. (lb)	Full Load Efficiency	Voltage	Full Load Amps	EISA Status (a)	Notes (a)
<b>F1 Mounting</b>												
1	1800	143T	<b>EM3116T-8</b>	561	L1	11.12	36	85.5	200	3.2	B	1, 68
1 1/2	1800	145T	<b>EM3154T-8</b>	586	L1	12.12	42	86.5	200	4.8	B	1, 68
2	1800	145T	<b>EM3157T-8</b>	629	L1	13.00	47	86.5	200	6.1	B	1, 68
3	1800	182T	<b>EM3211T-8</b>	678	L1	15.00	68	89.5	200	9.3	B	1, 68
5	1800	184T	<b>EM3218T-8</b>	742	L1	15.00	72	89.5	200	15	B	1, 68
7 1/2	1800	213T	<b>EM3311T-8</b>	1,090	L1	16.32	116	91	200	22.4	B	1, 68
10	1800	215T	<b>EM3313T-8</b>	1,319	L1	17.45	148	91.7	200	29.5	B	1, 68
15	1800	254T	<b>EM2513T-8</b>	1,869	L1	21.69	234	93	200	40.7	B	1, 68
20	3600	254T	<b>EM2514T-8</b>	2,172	L1	21.69	186	91	200	52.3	B	1, 24, 69
	1800	256T	<b>EM2515T-8</b>	2,346	L1	21.69	237	93	200	54.3	B	1, 24, 69
25	3600	256T	<b>EM2516T-8</b>	2,607	L1	21.69	242	91.7	200	63.2	B	1, 24, 69
	1800	284T	<b>EM2531T-8</b>	2,860	L1	23.81	313	93.6	200	69.5	B	1, 24, 69
30	1800	286T	<b>EM2535T-8</b>	3,128	L1	25.06	353	94.1	200	81	B	1, 24, 69
40	3600	286TS	<b>EM2538T-8</b>	3,963	L1	23.69	377	92.4	200	105	B	1, 24, 69
	1800	324T	<b>EM2539T-8</b>	4,081	L1	26.69	488	94.1	200	107	B	1, 24, 69
50	1800	326T	<b>EM2543T-8</b>	4,503	L1	27.69	521	94.5	200	132	B	1, 24, 69
60	1800	364T	<b>EM2547T-8</b>	5,670	L1	30.69	615	95	200	160	B	1, 24, 69
75	1800	365T	<b>EM2551T-8</b>	6,959	L1	29.69	808	95	200	195	B	1, 24, 69
100	1800	404T	<b>EM2555T-8</b>	8,097	L1	36.97	1114	95.4	200	263	B	1, 24, 69
<b>F2 Mounting</b>												
2	1800	145T	<b>EFM3157T-8</b>	629	L1	13.00	48	86.5	200	6.1	B	1, 68
3	1800	182T	<b>EFM3211T-8</b>	678	L1	15.00	66	89.5	200	9.3	B	1, 68
5	1800	184T	<b>EFM3218T-8</b>	742	L1	15.00	69	89.5	200	15	B	1, 68
7 1/2	1800	213T	<b>EFM3311T-8</b>	1,090	L1	16.32	109	91	200	22.3	B	1, 68
10	1800	215T	<b>EFM3313T-8</b>	1,319	L1	17.45	127	91.7	200	29.5	B	1, 68
15	1800	254T	<b>EFM2513T-8</b>	1,869	L1	21.69	234	93	200	40.7	B	1, 68
20	1800	256T	<b>EFM2515T-8</b>	2,346	L1	21.69	237	93	200	54.3	B	1, 24, 69

(a) See notes on inside back flap.

Custom TEFC motors available through 2,250 Hp; Open and WPIL custom motors through 15,000 Hp. Contact your Baldor•Reliance Sales Representative.

■ Cast Iron Frame

General Information

Premium Efficient Super-E® Motors

Single Phase Motors

General Purpose Industrial Motors

Severe Duty Motors

Washdown Duty Motors

Explosion Proof Motors

Pump Motors

Light Industrial/Commercial Motors

HVAC Motors

BALDOR • RELIANCE

575 Volt,  
Three Phase,  
TEFC

1 thru 150 Hp

NEMA 143T thru 445T

**Applications:** Pumps, fans, compressors, blowers, machine tools, conveyors and many applications requiring 575 volt power.

**Features:** 1.15 Service Factor. Positively locked drive end ball bearing, dynamically balanced rotors. Super-E® motors have NEMA Premium® efficiency and 3 year warranty.



Hp	RPM	NEMA Frame	Catalog Number	List Price	Mult. Sym.	"C" Dim.	Aprx. Wt. (lb)	Full Load Efficiency	Voltage	Full Load Amps	EISA Status (a)	Notes (a)
<b>Foot Mounted</b>												
1	1800	143T	EM3546T-5	623	LS	13.31	38	85.5	575	1.1	A	1
	1200	145T	EM3556T-5	746	L1	15.56	39	82.5	575	1.4	A	1
1 1/2	3600	143T	EM3550T-5	640	L1	12.31	41	84	575	1.5	A	1
	1800	145T	EM3554T-5	648	LS	13.31	48	86.5	575	1.6	A	1
2	1200	182T	EM3607T-5	872	L1	19.77	138	87.5	575	5.8	A	1
	3600	145T	EM3555T-5	701	L1	14.19	49	85.5	575	2.2	A	1
3	1800	145T	EM3558T-5	672	LS	14.19	48	86.5	575	2.2	A	1
	1200	184T	EM3614T-5	914	L1	18.05	79	88.5	575	2.2	A	1
5	3600	145T	EM3559T-5	786	L1	15.56	58	86.5	575	3	A	1
	1800	182T	EM3611T-5	742	LS	16.55	69	89.5	575	3.1	A	1
7 1/2	1200	182T	EM3661T-5	993	L1	15.24	90	89.5	575	3.2	A	1
	3600	213T	EM3704T-5	1,189	L1	19.02	132	89.5	575	3.7	A	1
10	1800	184T	EM3613T-5	862	L1	16.55	77	88.5	575	4.8	A	1
	3600	184T	EM3615T-5	812	LS	18.05	91	89.5	575	5.2	A	1
15	1200	184T	EM3665T-5	1,016	L1	15.24	109	89.5	575	5.2	A	1
	3600	215T	EM3708T-5	1,343	L1	19.77	138	89.5	575	5.8	A	1
20	1800	184T	EM3616T-5	1,137	L1	18.05	96	89.5	575	6.8	A	1
	3600	213T	EM3709T-5	1,291	L1	17.89	126	89.5	575	7.2	A	1
25	1200	213T	EM3710T-5	1,171	LS	19.02	148	91.7	575	7.6	A	1
	3600	213T	EM3770T-5	1,326	L1	18.45	178	91.7	575	7.5	A	1
30	1800	215T	EM3711T-5	1,309	L1	19.02	154	90.2	575	9	A	1
	3600	215T	EM3714T-5	1,322	LS	20.52	153	91.7	575	10	A	1
40	1200	215T	EM3774T-5	1,487	L1	18.45	201	91.7	575	9.8	A	1
	3600	254T	EM3713T-5	1,847	L1	20.52	175	91	575	13.6	A	1
50	1800	254T	EM2394T-5	2,222	L1	23.16	268	91	575	14.1	A	1
	3600	254T	EM2333T-5	2,037	LS	23.16	235	92.4	575	14.8	A	1
75	1200	256T	EM4106T-5	2,439	L1	23.16	258	91	575	18.2	A	1
	3600	256T	EM2334T-5	2,470	LS	23.16	303	93	575	19.2	A	1
100	1800	284TS	EM4107T-5	3,182	L1	24.70	398	91.7	575	22	A	1
	3600	284T	EM4103T-5	3,231	LS	27.76	398	93.6	575	23.9	A	1
125	1200	286TS	EM4108T-5	3,781	L1	24.70	418	91.7	575	26.5	A	1
	3600	286T	EM4104T-5	3,833	LS	27.76	451	93.6	575	29	A	1
150	1800	324TS	EM4109T-5	5,182	L1	28.78	549	92.4	575	36	A	1
	3600	324T	EM4110T-5	5,012	LS	30.28	600	94.1	575	39	A	1
200	1200	326TS	EM4114T-5	5,669	L1	28.90	578	93	575	45	A	1
	3600	326T	EM4115T-5	5,477	LS	30.28	632	94.5	575	46	A	1
250	1800	364T	EM4314T-5	7,881	LS	32.84	808	95	575	54.4	A	1
	3600	365T	EM4316T-5	9,215	LS	32.84	889	95.4	575	68.7	A	1
300	1200	405T	EM4400T-5	11,444	LS	38.06	1201	95.4	575	89.6	A	1
	3600	444T	EM4410T-5	14,167	LS	44.75	1466	95.4	575	111	A	1
350	1800	445T	EM4406T-5	16,296	LS	44.75	1672	95.8	575	141	A	1

(a) See notes on inside back flap.

**CUSTOM 575 VOLT MOTORS AVAILABLE THROUGH 1000 HP. CONTACT YOUR LOCAL BALDOR•RELIANCE SALES REPRESENTATIVE. MEETS NRC CANADIAN STANDARDS FOR EFFICIENCY.**

■ Cast Iron Frame

General Information

Premium Efficient Super-E® Motors

Single Phase Motors

General Purpose Industrial Motors

Severe Duty Motors

Washdown Duty Motors

Explosion Proof Motors

Pump Motors

Light Industrial/Commercial Motors

HVAC Motors



575 Volt, Three Phase, TEFC

Hp	RPM	NEMA Frame	Catalog Number	List Price	Mult. Sym.	"C" Dim.	Aprx. Wt. (lb)	Full Load Efficiency	Voltage	Full Load Amps	EISA Status (a)	Notes (a)
<b>C-Face, Foot Mounted</b>												
1	1800	143TC	CEM3546T-5	654	LS	13.31	39	85.5	575	1.1	A	1
		143TC	CEM3581T-5	857	L1	13.03	56	85.5	575	1.1	A	1
1 1/2	3600	143TC	CEM3583T-5	946	L1	13.05	57	84	575	1.6	A	1
	1800	145TC	CEM3554T-5	679	LS	13.31	49	86.5	575	1.6	A	1
			145TC	CEM3584T-5	886	L1	13.03	61	86.5	575	1.6	A
2	3600	145TC	CEM3586T-5	948	L1	13.05	63	85.5	575	2	A	1
	1800	145TC	CEM3558T-5	703	LS	14.19	51	86.5	575	2.2	A	1
			145TC	CEM3587T-5	927	L1	13.03	65	86.5	575	2.2	A
3	3600	145TC	CEM3559T-5	817	L1	15.54	49	86.5	575	3	A	1
		182TC	CEM3610T-5	841	L1	15.18	68	86.5	575	3	A	1
		182TC	CEM3660T-5	1,054	L1	16.00	95	86.5	575	2.7	A	1
	1800	182TC	CEM3611T-5	805	LS	18.05	71	89.5	575	3.4	A	1
		182TC	CEM3661T-5	1,081	L1	16.00	97	89.5	575	3.2	A	1
5	3600	184TC	CEM3613T-5	926	L1	16.55	80	88.5	575	4.7	A	1
		184TC	CEM3663T-5	1,278	L1	16.00	107	88.5	575	4.6	A	1
	1800	184TC	CEM3615T-5	875	LS	18.05	97	89.5	575	5.2	A	1
			184TC	CEM3665T-5	1,104	L1	16.00	115	89.5	575	5.2	A
7 1/2	3600	213TC	CEM3769T-5	1,551	L1	19.20	191	89.5	575	6.9	A	1
	1800	213TC	CEM3710T-5	1,290	LS	19.02	140	91.7	575	7.6	A	1
			213TC	CEM3770T-5	1,501	L1	19.20	178	91.7	575	7.5	A
10	3600	215TC	CEM3711T-5	1,428	L1	19.02	158	90.2	575	9	A	1
			215TC	CEM3771T-5	1,788	L1	19.20	181	90.2	575	9	A
	1800	215TC	CEM3714T-5	1,439	LS	20.52	162	91.7	575	9.6	A	1
			215TC	CEM3774T-5	1,663	L1	19.20	201	91.7	575	9.8	A
15	3600	215TC	CEM3713T-5	1,965	L1	21.25	175	91	575	16	A	1
	1800	254TC	CEM2333T-5	2,950	LS	23.78	238	92.4	575	14.8	A	1
20	1800	256TC	CEM2334T-5	3,006	L1	23.78	286	93	575	19	A	1
25	1800	284TC	CEM4103T-5	3,975	L1	27.76	390	93.6	575	23.9	A	1
30	1800	286TC	CEM4104T-5	4,550	L1	27.76	620	93.6	575	29	A	1
<b>C-Face, Footless</b>												
1	1800	143TC	VEM3546T-5	684	LS	13.29	42	85.5	575	1.1	B	
		143TC	VEM3581T-5	853	L1	13.03	55	85.5	575	1.1	B	1
1 1/2	3600	143TC	VEM3550T-5	667	L1	13.24	41	84	575	1.6	B	
	1800	145TC	VEM3554T-5	714	LS	14.19	49	86.5	575	1.6	B	
			145TC	VEM3584T-5	855	L1	13.03	59	86.5	575	1.6	B
2	1800	145TC	VEM3558T-5	801	LS	14.17	47	86.5	575	2.2	B	
		145TC	VEM3587T-5	921	L1	13.03	66	86.5	575	2.2	B	1
3	3600	182TC	VEM3610T-5	827	L1	15.18	67	86.5	575	2.7	B	
		182TC	VEM3611T-5	908	L1	16.55	71	89.5	575	3.2	B	
	1800	182TC	VEM3661T-5	1,090	L1	16.00	94	89.5	575	3.2	B	1
5	3600	184TC	VEM3613T-5	912	L1	16.55	81	88.5	575	4.6	B	
		184TC	VEM3615T-5	990	L1	18.05	92	89.5	575	5.2	B	
	1800	184TC	VEM3665T-5	1,090	L1	16.00	113	89.5	575	5.2	B	1
7 1/2	3600	213TC	VEM3709T-5	1,393	L1	19.28	131	89.5	575	6.9	B	
	1800	213TC	VEM3710T-5	1,268	L1	19.76	141	91.7	575	8	B	
			213TC	VEM3770T-5	1,481	L1	19.25	164	91.7	575	7.5	B
10	3600	215TC	VEM3711T-5	1,407	L1	19.77	159	90.2	575	9	B	
		215TC	VEM3714T-5	1,417	L1	21.26	165	91.7	575	10.1	B	
	1800	215TC	VEM3774T-5	1,643	L1	19.25	197	91.7	575	9.8	B	
15	3600	215TC	VEM3713T-5	1,949	L1	20.26	172	91	575	14.8	B	
	1800	254TC	VEM2333T-5	2,763	L1	23.66	238	92.4	575	14.8	B	
20	1800	256TC	VEM2334T-5	3,261	L1	23.66	286	93	575	19	B	

(a) See notes on inside back flap.

**CUSTOM 575 VOLT MOTORS AVAILABLE THROUGH 1000 HP. CONTACT YOUR LOCAL BALDOR•RELIANCE SALES REPRESENTATIVE. MEETS NRC CANADIAN STANDARDS FOR EFFICIENCY.**

■ Cast Iron Frame

General Information

Premium Efficient Super-E® Motors

Single Phase Motors

General Purpose Industrial Motors

Severe Duty Motors

Washdown Duty Motors

Explosion Proof Motors

Pump Motors

Light Industrial/Commercial Motors

HVAC Motors

**BALDOR • RELIANCE****Premium Efficient Super-E® Motors****575 Volt,  
Three Phase,  
ODP, Foot Mounted****1 thru 150 Hp****NEMA 143T thru 444T****Applications:** Pumps, compressors, fans, conveyors, machine tools and other applications where 575 volt three phase power is available.**Features:** Ball bearings. Mount in any position. Heavy-gauge steel and cast iron frames. Super-E® motors have NEMA Premium® efficiency and 3 year warranty.

Hp	RPM	NEMA Frame	Catalog Number	List Price	Mult. Sym.	"C" Dim.	Aprx. Wt. (lb)	Full Load Efficiency	Voltage	Full Load Amps	EISA Status (a)	Notes (a)
1	1800	143T	EM3116T-5	628	LS	11.12	33	85.5	575	1.1	A	1
1 1/2	1800	145T	EM3154T-5	656	LS	12.12	40	86.5	575	1.7	A	1
2	1800	145T	EM3157T-5	703	LS	13.00	46	86.5	575	2.1	A	1
3	1800	182T	EM3211T-5	758	LS	15.00	66	89.5	575	3.1	A	1
5	1800	184T	EM3218T-5	830	LS	15.00	74	89.5	575	5.2	A	1
7 1/2	1800	213T	EM3311T-5	1,220	LS	16.32	114	91	575	7.6	A	1
10	1800	215T	EM3313T-5	1,477	LS	17.45	145	91.7	575	10	A	1
15	1800	254T	EM2513T-5	2,091	LS	21.69	234	93	575	14.1	A	1
20	1800	256T	EM2515T-5	2,290	L1	21.69	237	93	575	18.9	A	1
25	1800	284T	EM2531T-5	2,791	L1	23.81	330	93.6	575	24.2	A	1
30	1800	286T	EM2535T-5	3,052	L1	25.06	356	94.1	575	28	A	1
40	1800	324T	EM2539T-5	3,982	L1	26.69	482	94.1	575	37.4	A	1
50	1800	326T	EM2543T-5	4,394	L1	27.69	445	94.5	575	46	A	1
60	1800	364T	EM2547T-5	5,532	L1	30.69	726	95	575	56	A	1
75	1800	365T	EM2551T-5	6,790	L1	33.72	808	95	575	69	A	1
100	1800	404T	EM2555T-5	7,900	L1	36.97	898	95.4	575	92	A	1
125	1800	405T	EM2559T-5	9,691	L1	34.47	1238	95.4	575	115	A	1
150	1800	444T	EM2558T-5	10,765	L1	39.56	1405	95.8	575	136	A	1

(a) See notes on inside back flap.

**MEETS NRC CANADIAN STANDARDS FOR EFFICIENCY.**

**Severe Duty,  
Three Phase,  
460 & 230/460 Volts,  
Foot Mounted**

**1 thru 400 Hp**

**NEMA 143T thru 449T**



**Applications:** Petro-chemical plants, mines, foundries, pulp and paper plants, waste management facilities, chemical plants, tropical climates and other processing industry applications requiring protection against corrosion caused by severe environmental operating conditions.

**Features:** 1.15 Service Factor, corrosion resistant epoxy finish, regreasable ball or roller bearings, oversized rotatable cast iron conduit box, cast iron frames, V-Ring shaft seal, moisture resistant copper windings, Class F insulation, stainless steel nameplate and corrosion resistant hardware. ECP/XEX Super-E® motors have NEMA Premium® efficiency and 3 year warranty.

Hp	RPM	NEMA Frame	Catalog Number	List Price	Mult. Sym.	"C" Dim.	Aprx. Wt. (lb)	Full Load Efficiency	Voltage	Full Load Amps	EISA Status (a)	Notes (a)
1	3600	143T	ECP3580T	837	SD	12.88	55	84	208-230/460	1.4	A	1
		143T	ECP3580T-4	837	SD	12.88	55	84	460	1.4	A	1
		143T	ENCP3580T-4	876	SD	11.38	56	84	460	1.3	C	1
	1800	143T	ECP3581T	920	SD	12.88	66	87.5	208-230/460	1.5	A	1
		143T	ECP3581T-4	920	SD	12.88	65	87.5	460	1.5	A	1
		143T	ENCP3581T-4	958	SD	11.36	60	85.5	460	1.4	C	1
	1200	145T	ECP3582T	1,016	SD	12.88	67	82.5	208-230/460	1.8	A	1
		145T	ECP3582T-4	1,016	SD	12.88	69	82.5	460	1.8	A	1
	900	184T	ECP3687T-4	1,427	SD	15.93	143	82.5	460	1.8	B	1
1 1/2	3600	143T	ECP3583T	952	SD	12.88	71	85.5	208-230/460	2	A	1
		143T	ECP3583T-4	952	SD	12.88	66	85.5	460	2	A	1
	1800	145T	ECP3584T	937	SD	12.88	68	88.5	208-230/460	2.1	A	1
		145T	ECP3584T-4	937	SD	12.88	71	88.5	460	2.1	A	1
	1200	182T	ECP3667T	1,189	SD	15.93	142	87.5	208-230/460	2.4	A	1
		182T	ECP3667T-4	1,189	SD	15.93	135	87.5	460	2.4	A	1
900	184T	ECP3668T-4	1,776	SD	15.93	142	84	460	2.4	B	1	
2	3600	145T	ECP3586T	996	SD	12.88	73	86.5	208-230/460	2.5	A	1
		145T	ECP3586T-4	996	SD	12.88	72	86.5	460	2.5	A	1
	1800	145T	ECP3587T	978	SD	12.88	76	88.5	208-230/460	2.8	A	1
		145T	ECP3587T-4	978	SD	12.88	73	86.5	460	2.7	A	1
	1200	184T	ECP3664T	1,204	SD	15.93	150	88.5	208-230/460	3	A	1
		184T	ECP3664T-4	1,204	SD	15.93	137	88.5	460	2.8	A	1
900	213T	ECP3772T-4	2,240	SD	20.19	204	85.5	460	3.2	B	1	
3	3600	182T	ECP3660T	1,178	SD	15.62	104	88.5	230/460	3.6	A	1
		182T	ECP3660T-4	1,178	SD	15.62	121	88.5	460	3.6	A	1
	1800	182T	ECP3661T	1,238	SD	17.12	139	89.5	230/460	4.2	A	1, 30
		182T	ECP3661T-4	1,238	SD	15.62	134	89.5	460	4.2	A	1
	1200	213T	ECP3764T	1,738	SD	15.93	181	89.5	230/460	4.2	A	1, 30
		213T	ECP3764T-4	1,738	SD	15.93	186	89.5	460	4.2	A	1
900	215T	ECP3775T-4	2,429	SD	20.19	216	85.5	460	4.7	B	1	
5	3600	184T	ECP3663T	1,449	SD	15.93	134	88.5	230/460	5.6	A	1
		184T	ECP3663T-4	1,449	SD	15.93	127	88.5	460	6	A	1
	1800	184T	ECP3665T	1,260	SD	15.93	139	89.5	230/460	6.6	A	1, 30
		184T	ECP3665T-4	1,260	SD	15.93	144	89.5	460	6.6	A	1
	1200	215T	ECP3768T	1,761	SD	20.19	199	89.5	230/460	6.8	A	1, 30
		215T	ECP3768T-4	1,761	SD	20.19	197	89.5	460	6.8	A	1
900	254T	ECP2280T-4	3,866	SD	24.56	337	89.5	460	7.3	B	1	

(a) See notes on inside back flap.

All ratings are 1.15 service factor at 40°C ambient. All ratings meet 50°C ambient at 1.00 service factor and weatherproof intent of IEEE 45 and USCG 259 marine duty (below deck).

Custom TEFC motors available through 2,250 Hp; Open and WPll custom motors through 15,000 Hp. Contact your Baldor•Reliance Sales Representative.

**FOR OTHER 208-230/460 VOLT REQUIREMENTS, PLEASE SEE DIRTY DUTY MOTORS ON PAGE 84.**

■ Cast Iron Frame

General Information

Premium Efficient Super-E® Motors

Single Phase Motors

General Purpose Industrial Motors

Severe Duty Motors

Washdown Duty Motors

Explosion Proof Motors

Pump Motors

Light Industrial/Commercial Motors

HVAC Motors

Severe Duty, Three Phase, 460 & 230/460 Volts, Foot Mounted

Hp	RPM	NEMA Frame	Catalog Number	List Price	Mult. Sym.	"C" Dim.	Aprx. Wt. (lb)	Full Load Efficiency	Voltage	Full Load Amps	EISA Status (a)	Notes (a)
7 1/2	3600	213T	ECP3769T	1,891	SD	19.31	181	90.2	230/460	8.6	A	1
		213T	ECP3769T-4	1,891	SD	19.31	180	90.2	460	8.6	A	1
	1800	213T	ECP3770T	1,586	SD	20.19	210	91.7	230/460	9.4	A	1
		213T	ECP3770T-4	1,586	SD	20.19	210	91.7	460	9.4	A	1
	1200	254T	ECP2276T	2,520	SD	25.07	344	91.7	230/460	10.7	A	1
		254T	ECP2276T-4	2,520	SD	25.07	308	91.7	460	10.7	A	1
900	256T	ECP2401T-4	4,421	SD	24.56	332	90.2	460	10.5	B	1	
10	3600	215T	ECP3771T	2,014	SD	19.50	203	91.7	230/460	11.2	A	1
		215T	ECP3771T-4	2,014	SD	19.50	215	91.7	460	11.2	A	1
	1800	215T	ECP3774T	1,899	SD	19.50	231	92.4	230/460	12.5	A	1
		215T	ECP3774T-4	1,899	SD	19.50	231	92.4	460	12.5	A	1
	1200	256T	ECP2332T	3,274	SD	25.07	354	91.7	230/460	14.2	A	1
		256T	ECP2332T-4	3,274	SD	25.07	300	91.7	460	14.2	A	1
900	284T	ECP2402T-4	5,157	SD	27.44	468	90.2	460	13.7	B	1	
15	3600	254T	ECP2294T	2,576	SD	24.69	350	91.7	230/460	17.2	A	1
		254T	ECP2394T-4	2,576	SD	25.07	239	91.7	460	17.2	A	1
	1800	254T	ECP2333T	2,420	SD	25.07	255	92.4	230/460	18.5	A	1
		254T	ECP2333T-4	2,420	SD	25.07	255	92.4	460	18.5	A	1
	1200	284T	ECP4100T	3,753	SD	27.44	439	92.4	230/460	18.7	A	1
		284T	ECP4100T-4	3,753	SD	27.44	441	92.4	460	18.7	A	1
900	286T	ECP2395T-4	6,884	SD	27.44	442	90.2	460	20	B	1	
20	3600	256T	ECP4106T	3,005	SD	24.69	265	92.4	230/460	22	A	1
		256T	ECP4106T-4	3,005	SD	25.07	265	92.4	460	23	A	1
	1800	256T	ECP2334T	2,596	SD	25.07	303	93	230/460	24	A	1
		256T	ECP2334T-4	2,596	SD	24.69	303	93	460	24	A	1
	1200	286T	ECP4102T	5,100	SD	27.44	453	92.4	230/460	24.8	A	1
		286T	ECP4102T-4	5,100	SD	27.44	456	92.4	460	24.8	A	1
900	324T	ECP4112T-4	7,848	SD	30.16	608	91	460	28	B	1	
25	3600	284TS	ECP4107T	3,611	SD	24.66	299	92.4	230/460	27	A	1
		284TS	ECP4107T-4	3,611	SD	26.06	449	93	460	28.1	A	1
	1800	284T	ECP4103T	3,396	SD	27.93	395	93.6	230/460	30	A	1
		284T	ECP4103T-4	3,396	SD	27.93	395	93.6	460	30	A	1
	1200	324T	ECP4111T	5,329	SD	30.16	611	93	230/460	32	A	1
		324T	ECP4111T-4	5,329	SD	30.16	648	93	460	32	A	1
30	3600	286TS	ECP4108T	4,402	SD	26.06	450	93	230/460	33.9	A	1
		286TS	ECP4108T-4	4,402	SD	26.06	457	93	460	33.9	A	1
	1800	286T	ECP4104T	4,033	SD	27.93	459	94.1	230/460	36	A	1
		286T	ECP4104T-4	4,033	SD	27.93	385	94.1	460	36	A	1
	1200	326T	ECP4117T	6,870	SD	30.16	712	93	230/460	39	A	1
		326T	ECP4117T-4	6,870	SD	30.16	695	93	460	39	A	1
40	3600	324TS	ECP4109T	6,048	SD	28.66	528	93.6	230/460	45	A	1
		324TS	ECP4109T-4	6,048	SD	28.66	608	93.6	460	47	A	1
	1800	324T	ECP4110T	5,276	SD	30.16	647	94.5	230/460	46	A	1
		324T	ECP4110T-4	5,276	SD	30.16	659	94.5	460	46	A	1
	1200	364T	ECP4308T	8,562	SD	33.44	845	94.1	230/460	49.4	A	1
		364T	ECP4308T-4	8,562	SD	33.44	847	94.1	460	49.4	A	1
50	3600	326TS	ECP4114T	6,338	SD	28.66	587	94.1	230/460	56	A	1
		326TS	ECP4114T-4	6,338	SD	28.66	647	94.1	460	56	A	1
	1800	326T	ECP4115T	6,193	SD	30.16	732	94.5	230/460	57	A	1
		326T	ECP4115T-4	6,193	SD	30.16	655	94.5	460	57	A	1
	1200	365T	ECP4312T	9,120	SD	33.44	856	94.1	230/460	61	A	1
		365T	ECP4312T-4	9,120	SD	33.44	893	94.1	460	61.7	A	1

(a) See notes on inside back flap.

All ratings are 1.15 service factor at 40°C ambient. All ratings meet 50°C ambient at 1.00 service factor and weatherproof intent of IEEE 45 and USCG 259 marine duty (below deck).

Custom TEFC motors available through 2,250 Hp; Open and WPII custom motors through 15,000 Hp. Contact your Baldor•Reliance Sales Representative.

**FOR OTHER 208-230/460 VOLT REQUIREMENTS, PLEASE SEE DIRTY DUTY MOTORS ON PAGE 84.**

■ Cast Iron Frame

General Information

Premium Efficient Super-E® Motors

Single Phase Motors

General Purpose Industrial Motors

Severe Duty Motors

Washdown Duty Motors

Explosion Proof Motors

Pump Motors

Light Industrial/Commercial Motors

HVAC Motors



**Severe Duty, Three Phase, 460 & 230/460 Volts, Foot Mounted**

Hp	RPM	NEMA Frame	Catalog Number	List Price	Mult. Sym.	"C" Dim.	Aprx. Wt. (lb)	Full Load Efficiency	Voltage	Full Load Amps	EISA Status (a)	Notes (a)
60	3600	364TS	ECP4310T	9,198	SD	31.31	748	95	230/460	65.1	A	1
		364TS	ECP4310T-4	9,198	SD	31.31	901	95	460	65.1	A	1
	1800	364T	ECP4314T	8,301	SD	33.44	900	95	230/460	69	A	1
		364T	ECP4314T-4	8,301	SD	33.44	905	95	460	68	A	1
	1200	404T	ECP4403T	12,458	SD	38.31	1257	94.5	230/460	72	A	1
		404T	ECP4403T-4	12,458	SD	38.31	1308	95	460	69	A	1
75	3600	365TS	ECP4313T	10,282	SD	31.31	964	95	230/460	80.7	A	1
		365TS	ECP4313T-4	10,282	SD	31.31	966	95	460	80.7	A	1
	1800	365T	ECP4316T	9,699	SD	33.44	857	95.4	230/460	85.9	A	1
		365T	ECP4316T-4	9,699	SD	33.44	938	95.4	460	85.9	A	1
	1200	405T	ECP4404T	15,161	SD	38.31	1305	95	230/460	88	A	1
		405T	ECP4404T-4	15,161	SD	38.31	1289	95	460	86.9	A	1
100	3600	405TS	ECP4402T	12,924	SD	35.31	1119	94.1	230/460	116	A	1
		405TS	ECP4402T-4	12,924	SD	35.31	1266	95	460	110	A	1
	1800	405T	ECP4400T-4	12,732	SD	38.31	1329	95.4	460	112	A	1
		405TS	ECP4400TS-4	12,732	SD	35.31	1292	95.4	460	112	A	1
125	3600	444TS	ECP4412T	15,187	SD	40.98	1654	95	230/460	144	A	1
		444TS	ECP4412T-4	15,187	SD	40.98	1712	95.4	460	137	A	1
	1800	444T	ECP4410T-4	15,052	SD	44.75	1781	95.8	460	139	A	1
		445T	ECP4411T-4	18,839	SD	44.75	1884	95.4	460	143	A	1
150	3600	445TS	ECP4413T-4	17,804	SD	40.98	1953	96.2	460	164	A	1
		445T	ECP4406T-4	17,633	SD	44.75	1946	96.2	460	165	A	1
	1200	445T	ECP44156T-4	21,240	SD	48.24	2006	95.8	460	170	A	1
		447T	ECP44156TR-4	22,322	SD	48.24	2048	96.2	460	173	A	1, 5
200	3600	445TS	ECP4420T-4	21,082	SD	44.48	1986	96.2	460	222	A	1
		447TS	ECP4416T-4	21,082	SD	44.48	2129	96.2	460	222	A	1
	1800	447T	ECP4407T-4	21,212	SD	48.24	2417	96.2	460	221	A	1, 27
		447T	ECP4407TR-4	22,293	SD	48.24	2077	96.2	460	221	A	1, 5
		447TS	ECP4407TS-4	21,518	SD	44.48	2358	96.2	460	221	A	1, 27
	1200	449T	ECP44206T-4	27,823	SD	53.24	2809	96.2	460	223	A	1, 27
449T		ECP44206TR-4	28,904	SD	53.24	2848	96.2	460	223	A	1, 5	
250	3600	449TS	ECP4425T-4	32,238	SD	49.48	2424	96.2	460	275	B	1, 27
		449T	ECP4408T-4	26,918	SD	53.24	2745	96.2	460	272	B	1, 27
	1800	449T	ECP4408TR-4	27,999	SD	53.24	2764	96.2	460	272	B	1, 5
		449T	ECP44256T-4	38,815	SD	53.24	2973	96.2	460	283	B	1, 27
1200	449T	ECP44256TR-4	39,896	SD	53.24	2999	96.2	460	283	B	1, 5	
	300	449TS	ECP4430T-4	47,117	SD	49.48	2626	96.2	460	326	B	1, 27
1800		449T	ECP44304T-4	37,101	SD	53.24	2853	96.2	460	326	B	1, 27
		449T	ECP44304TR-4	38,183	SD	53.24	2925	96.2	460	326	B	1, 5
350	3600	449TS	ECP4435T-4	56,554	SD	49.48	2848	96.2	460	375	B	1, 27
	1800	449T	ECP44354T-4	44,520	SD	60.21	3041	96.2	460	392	B	1, 27
400	3600	449TS	ECP4440T-4	66,165	SD	49.48	2845	96.2	460	435	B	1, 27
	1800	L449T	ECP44404T-4	55,606	SD	60.21	3459	95.8	460	442	B	1, 27, 64

(a) See notes on inside back flap.

All ratings are 1.15 service factor at 40°C ambient. All ratings meet 50°C ambient at 1.00 service factor and weatherproof intent of IEEE 45 and USCG 259 marine duty (below deck).

Custom TEFC motors available through 2,250 Hp; Open and WPll custom motors through 15,000 Hp. Contact your Baldor•Reliance Sales Representative.

**FOR OTHER 208-230/460 VOLT REQUIREMENTS, PLEASE SEE DIRTY DUTY MOTORS ON PAGE 84.**

■ Cast Iron Frame

General Information

Premium Efficient Super-E® Motors

Single Phase Motors

General Purpose Industrial Motors

Severe Duty Motors

Washdown Duty Motors

Explosion Proof Motors

Pump Motors

Light Industrial/Commercial Motors

HVAC Motors

**Severe Duty,  
Three Phase,  
575 Volts,  
Foot Mounted**

**1 thru 200 Hp**

**NEMA 143T thru 447T**

**Applications:** Petro-chemical plants, mines, foundries, pulp and paper plants, waste management facilities, chemical plants, tropical climates and other processing industry applications requiring protection against corrosion caused by severe environmental operating conditions.

**Features:** ECP / XEX motors have 1.15 Service Factor, corrosion resistant epoxy finish, regreasable ball or roller bearings, oversized rotatable cast iron conduit box, cast iron frames, V-Ring shaft seal, moisture resistant copper windings, Class F insulation, stainless steel nameplate and corrosion resistant hardware. NEMA Premium® efficiency and 3-year warranty.



Hp	RPM	NEMA Frame	Catalog Number	List Price	Mult. Sym.	"C" Dim.	Aprx. Wt. (lb)	Full Load Efficiency	Voltage	Full Load Amps	EISA Status (a)	Notes (a)
1	1800	143T	ECP3581T-5	920	SD	12.88	60	86.5	575	1.1	A	1
1 1/2	1800	145T	ECP3584T-5	937	SD	12.88	65	86.5	575	1.6	A	1
2	1800	145T	ECP3587T-5	978	SD	12.88	72	86.5	575	2.2	A	1
3	1800	182T	ECP3661T-5	1,238	SD	15.93	103	89.5	575	3.2	A	1
	1200	213T	ECP3764T-5	1,738	SD	19.50	186	90.2	575	3.6	A	1
5	1800	184T	ECP3665T-5	1,260	SD	15.93	126	90.2	575	5.2	A	1
	1200	215T	ECP3768T-5	1,761	SD	19.50	205	90.2	575	5.8	A	1
7 1/2	1800	213T	ECP3770T-5	1,586	SD	19.50	178	91.7	575	7.5	A	1
	1200	254T	ECP2276T-5	2,520	SD	25.07	267	91.7	575	8.7	A	1
10	1800	215T	ECP3774T-5	1,899	SD	19.50	215	92.4	575	9.8	A	1
	1200	256T	ECP2332T-5	3,274	SD	25.07	286	91.7	575	11.5	A	1
15	1800	254T	ECP2333T-5	2,420	SD	25.07	255	92.4	575	14.8	A	1
	1200	284T	ECP4100T-5	3,753	SD	27.93	425	93	575	15.9	A	1
20	1800	256T	ECP2334T-5	2,596	SD	25.07	303	93	575	19.2	A	1
	1200	286T	ECP4102T-5	5,100	SD	27.93	452	93	575	20.6	A	1
25	1800	284T	ECP4103T-5	3,396	SD	27.93	427	93.6	575	23.9	A	1
	1200	324T	ECP4111T-5	5,329	SD	30.16	556	93	575	25.3	A	1
30	1800	286T	ECP4104T-5	4,033	SD	27.93	471	94.1	575	29	A	1
40	1800	324T	ECP4110T-5	5,276	SD	30.16	578	94.5	575	36.8	A	1
50	1800	326T	ECP4115T-5	6,193	SD	30.16	640	94.5	575	45.6	A	1
60	1800	364T	ECP4314T-5	8,301	SD	32.84	821	95	575	55	A	1
75	1800	365T	ECP4316T-5	9,699	SD	32.84	912	95.4	575	69.2	A	1
100	1800	405T	ECP4400T-5	12,732	SD	38.03	1335	95.4	575	87	A	1
125	1800	444T	ECP4410T-5	15,052	SD	44.75	1675	95.4	575	111.5	A	1
150	1800	445T	ECP4406T-5	17,633	SD	44.75	1823	96.2	575	132	A	1
200	1800	447T	ECP4407T-5	21,212	SD	48.24	2345	96.2	575	179	A	1

(a) See notes on inside back flap.

**MEETS NRC CANADIAN STANDARDS FOR EFFICIENCY.**

■ Cast Iron Frame

General Information

Premium Efficient Super-E® Motors

Single Phase Motors

General Purpose Industrial Motors

Severe Duty Motors

Washdown Duty Motors

Explosion Proof Motors

Pump Motors

Light Industrial/Commercial Motors

HVAC Motors

**Severe Duty,  
Medium Voltage,  
Three Phase,  
2300/4000 Volts,  
TEFC, Foot Mounted**

**200 thru 700 Hp**

**G449 thru G5012**

**Applications:** Petroleum and chemical, mines, foundries, pulp and paper, power generation and waste/water facilities. Suitable for tropical climates and industrial process applications requiring protection against corrosion caused by severe environmental operating conditions.

**Features:** Premium efficiency (95% or higher), cast iron frame, end shields and inner caps, carbon steel fan cover and air deflector, ground lug in the conduit box, epoxy enamel paint, stainless steel breather and drain, DE shaft slinger, epoxy coating on the rotor OD, stator ID and windings. Stock motors include a three year warranty, precision balance, 100 ohm platinum winding RTD's and space heaters. The "S" shafts are for coupled loads and are not convertible to roller bearings. The "L" shafts are ball bearing and convertible to roller bearing. Belted duty "LR" shafts are roller bearing and convertible to ball bearing. All "L" and "LR" shafts are Class II material.



Hp	RPM	NEMA Frame	Catalog Number	List Price	Mult. Sym.	"C" Dim.	Aprx. Wt. (lb)	Full Load Efficiency	Voltage	Full Load Amps	EISA Status (a)	Notes (a)
200	3600	G449TS	<a href="#">ECP44202T-2340</a>	46,094	LM	49.48	2300	95	2300/4000	25	C	1, 27, 64
	1800	G449T	<a href="#">ECP44204T-2340</a>	44,894	LM	53.24	2228	95	2300/4000	26	C	1, 27, 64
250	3600	G5008	<a href="#">ECP50252S-2340</a>	72,523	LM	48.93	5300	95	2300/4000	32	C	1, 64
	1800	G5008	<a href="#">ECP50254L-2340</a>	71,137	LM	48.93	4700	95	2300/4000	33	C	1, 27, 64
		G5008	<a href="#">ECP50254S-2340</a>	68,831	LM	48.93	5900	95	2300/4000	33	C	1, 27, 64
	1200	G5008	<a href="#">ECP50256LR-2340</a>	78,954	LM	48.93	5650	95	2300/4000	34	C	1, 5, 64
300	3600	G5008	<a href="#">ECP50302S-2340</a>	74,637	LM	48.93	5300	95.2	2300/4000	38	C	1, 27, 64
	1800	G5008	<a href="#">ECP50304L-2340</a>	72,875	LM	48.93	5140	95	2300/4000	40	C	1, 27, 64
		G5008	<a href="#">ECP50304S-2340</a>	70,569	LM	48.93	5900	95	2300/4000	40	C	1, 27, 64
	1200	G5010	<a href="#">ECP50306LR-2340</a>	81,347	LM	48.93	5650	95	2300/4000	40	C	1, 5, 64
350	3600	G5008	<a href="#">ECP50352S-2340</a>	76,438	LM	48.93	6000	95	2300/4000	44	C	1, 27, 64
	1800	G5008	<a href="#">ECP50354L-2340</a>	74,622	LM	48.93	6000	95.1	2300/4000	47	C	1, 27, 64
		G5008	<a href="#">ECP50354S-2340</a>	72,317	LM	48.93	6000	95.1	2300/4000	47	C	1, 27, 64
	1200	G5010	<a href="#">ECP50356LR-2340</a>	87,287	LM	48.93	6600	95	2300/4000	46	C	1, 5, 64
400	3600	G5010	<a href="#">ECP50402S-2340</a>	78,767	LM	48.93	6000	95.1	2300/4000	51	C	1, 27, 64
	1800	G5008	<a href="#">ECP50404L-2340</a>	76,406	LM	48.93	4036	95.3	2300/4000	54	C	1, 27, 64
		G5008	<a href="#">ECP50404S-2340</a>	74,100	LM	48.93	6000	95.3	2300/4000	54	C	1, 27, 64
	1200	G5012	<a href="#">ECP50406LR-2340</a>	90,232	LM	48.93	6600	95.2	2300/4000	53	C	1, 5, 64
450	1800	G5010	<a href="#">ECP50454L-2340</a>	78,121	LM	48.93	6200	95.5	2300/4000	59	C	1, 27, 64
	1200	G5012	<a href="#">ECP50456S-2340</a>	92,150	LM	48.93	5800	95.2	2300/4000	60	C	1, 27, 64
500	3600	G5010	<a href="#">ECP50502S-2340</a>	87,084	LM	48.93	5500	95.5	2300/4000	63	C	1, 27, 64
	1800	G5010	<a href="#">ECP50504L-2340</a>	81,137	LM	48.93	5500	95.7	2300/4000	65	C	1, 27, 64
		G5012	<a href="#">ECP50506LR-2340</a>	100,698	LM	48.93	6600	95.2	2300/4000	66	C	1, 5, 64
600	3600	G5010	<a href="#">ECP50602S-2340</a>	85,436	LM	48.93	5500	95.2	2300/4000	76	C	1, 27, 64
	1800	G5012	<a href="#">ECP50604L-2340</a>	75,667	LM	48.93	5500	95.4	2300/4000	79	C	1, 27, 64
700	1800	G5012	<a href="#">ECP50704L-2340</a>	86,814	LM	79.14	5000	95.6	2300/4000	89	C	1, 27, 64
		G5012	<a href="#">ECP50704S-2340</a>	86,814	LM	48.93	6500	95.6	2300/4000	92	C	1, 27, 64

(a) See notes on inside back flap.

All ratings are 1.00 service factor, Class B rise and 1.15 service factor, Class F rise at 40°C ambient. All ratings meet 50°C ambient at 1.00 service factor and IP54 Ingress protection marine duty (below deck).

Custom TEFC motors available through 2,250 Hp; Open and WPIL custom motors through 15,000 Hp. Contact your Baldor•Reliance Sales Representative.

■ Cast Iron Frame

General Information

Premium Efficient Super-E® Motors

Single Phase Motors

General Purpose Industrial Motors

Severe Duty Motors

Washdown Duty Motors

Explosion Proof Motors

Pump Motors

Light Industrial/Commercial Motors

HVAC Motors

## Baldor Above NEMA Motor Capabilities Overview

The reach of Baldor's Above NEMA Motor product offering is vast. It extends well beyond NEMA frames to ratings as high as 15,000 Hp and as low as 300 RPM. This includes an extensive range of proven cast iron and fabricated steel motors well suited for both General Purpose the Custom (critical service) applications.

Note the following charts which apply to motors meeting these NEMA standards:

- 650% Inrush current
- Equal or greater than NEMA, Part 20 design torques (as described by NEMA for Above NEMA Motors)
- Standard NEMA voltage for each horsepower rating

- Minimum 90% Reduced Voltage Start
- NEMA specified (or less) load inertia applied to the motor shaft
- Inverter powered capabilities limited to Variable Torque loads
- Altitude below 3300 feet (above sea level)
- Operating ambient of 40°C (or lower)
- Horizontal foot mounted
- Centrifugal loads
- Direct coupled

The list of Baldor•Reliance Custom design capabilities and features is even more impressive. Please contact a Baldor office for details.

**Enclosures: TEFC & TEAAC**

	2	4	6	8	10	12	14	16	18	20	22	24
	3600	1800	1200	900	720	600	514	450	400	360	327	300
150												
200												
250												
300												
350												
400	Cast Frames											
450												
500												
600												
700												
800												
900												
1000												
1250												
1500												
1750												
2000												
2250												
2500												
2750												
3000												
3500	Fabricated Steel Frames											
4000												
4500												
5000												
6000												
7000												
8000												
9000												
10000												
12000												
15000												

**Enclosures: ODP, WPI, WPIL, TEWAC & TEFV**

	2	4	6	8	10	12	14	16	18	20	22	24
	3600	1800	1200	900	720	600	514	450	400	360	327	300
150												
200												
250												
300												
350												
400	Cast Frames											
450												
500												
600												
700												
800												
900												
1000												
1250												
1500												
1750												
2000												
2250												
2500												
2750												
3000												
3500	Fabricated Steel Frames											
4000												
4500												
5000												
6000												
7000												
8000												
9000												
10000												
12000												
15000												

**Important Notes:**

- Fabricated frames will be TEAAC enclosure.
- In many cases, fabricated frames utilize an enhanced cooling blower package to reduce noise levels.

**Important Notes:**

- Application conditions outside of "NEMA" standards may move a rating to a different frame size.
- 1750 Hp to 2500 Hp 3600 RPM will normally be a cast frame rating, unless there is a requirement for "stiff shaft" design.
- Enhanced cooling blower systems (provided on the motor) may be required at the top end of a frame size.



**F-2 Mount,  
Three Phase,  
TEFC and ODP,  
Foot Mounted**

**1 thru 60 Hp**

**NEMA 145T thru 364T**

**Applications:** Pumps, compressors, fans, conveyors, machine tools and other applications requiring three phase F-2 mounted motors.

**Features:** Copper windings, ball bearings, heavy-gauge steel frame with base seam-welded. Super-E® motors have NEMA Premium® efficiency and 3 year warranty.



Hp	RPM	NEMA Frame	Catalog Number	List Price	Mult. Sym.	"C" Dim.	Aprx. Wt. (lb)	Full Load Efficiency	Voltage	Full Load Amps	EISA Status (a)	Notes (a)
<b>Totally Enclosed Fan Cooled</b>												
2	1800	145T	<b>EFM3558T</b>	668	L1	14.19	49	86.5	208-230/460	2.7	A	1, 30
3	1800	182T	<b>EFM3611T</b>	741	L1	18.05	69	89.5	230/460	4.2	A	1, 30
5	1800	184T	<b>EFM3615T</b>	811	L1	18.05	95	89.5	230/460	6.5	A	1, 30
7 1/2	1800	213T	<b>EFM3710T</b>	1,173	L1	19.02	125	91.7	230/460	9.4	A	1, 30
10	1800	215T	<b>EFM3714T</b>	1,318	L1	20.52	158	91.7	230/460	12.5	A	1, 30
15	1800	254T	<b>EFM2333T</b>	2,033	L1	23.16	255	92.4	230/460	18.5	A	1, 30
20	1800	256T	<b>EFM2334T</b>	2,463	L1	23.16	286	93	230/460	24	A	1, 30
25	1800	284T	<b>EFM4103T</b>	3,220	L1	27.76	392	93.6	230/460	30	A	1, 30
30	1800	286T	<b>EFM4104T</b>	3,824	L1	27.76	444	93.6	230/460	36	A	1, 30
<b>Open Drip Proof</b>												
1	1800	145T	<b>EFM3116T</b>	547	L1	11.12	36	85.5	208-230/460	1.4	A	1
1 1/2	1800	145T	<b>EFM3154T</b>	572	L1	13.00	37	86.5	208-230/460	2.1	A	1
2	1800	145T	<b>EFM3157T</b>	613	L1	13.00	48	86.5	208-230/460	2.7	A	1
3	1800	182T	<b>EFM3211T</b>	661	L1	15.00	77	89.5	230/460	4	A	1
5	1800	184T	<b>EFM3218T</b>	724	L1	16.50	84	89.5	230/460	6.6	A	1, 30
7 1/2	1800	213T	<b>EFM3311T</b>	1,064	L1	16.32	111	91	230/460	9.7	A	1, 30
10	1800	215T	<b>EFM3313T</b>	1,288	L1	17.45	123	91.7	230/460	12.5	A	1, 30
15	1800	254T	<b>EFM2513T</b>	1,824	L1	21.69	234	93	230/460	17.7	A	1, 30
20	1800	256T	<b>EFM2515T</b>	2,290	L1	21.69	237	93	230/460	23.5	A	1, 30
25	1800	284T	<b>EFM2531T</b>	2,791	L1	23.81	332	93.6	230/460	30	A	1, 30
30	1800	286T	<b>EFM2535T</b>	3,052	L1	25.06	372	94.1	230/460	35	A	1, 30
40	1800	324T	<b>EFM2539T</b>	3,982	L1	26.69	477	94.1	230/460	46	A	1, 30
50	1800	326T	<b>EFM2543T</b>	4,394	L1	27.69	472	94.5	230/460	57	A	1, 30
60	1800	364T	<b>EFM2547T</b>	5,532	L1	30.69	782	95	230/460	68	A	1, 30

(a) See notes on inside back flap.

■ Cast Iron Frame

General Information

Premium Efficient Super-E® Motors

Single Phase Motors

General Purpose Industrial Motors

Severe Duty Motors

Washdown Duty Motors

Explosion Proof Motors

Pump Motors

Light Industrial/Commercial Motors

HVAC Motors

**Explosion Proof,  
Three Phase,  
Foot Mounted**

**1 thru 200 Hp**

**NEMA 143T thru 447T**

**Applications:** Ideal for use where hazardous fumes or dust may be present.



**Features:** U.L. and CSA approved for Class I, Group D and Class I, Group C & D and Class II, Group F & G. Check number in circle beside catalog number for individual listings. Corrosion resistant epoxy finish. Shipped with U.L. and CSA approved cast conduit box assembled to each motor. 1.00 Service Factor. Super-E® explosion proof motors have NEMA Premium® efficiency and 3 year warranty.

Hp	RPM	NEMA Frame	Catalog Number	XP <sup>(a)</sup> Cls/Grp	List Price	Mult. Sym.	"C" Dim.	Aprx. Full Load Wt. (lb)	Full Load Efficiency	Voltage	Full Load Amps	EISA Status <sup>(a)</sup>	Notes <sup>(a)</sup>	
1	1800	143T	EM7014T	Ⓢ	1,116	L1	15.23	49	85.5	230/460	1.5	A	19	
		143T	EM7114T	Ⓢ	1,536	L1	16.28	85	85.5	208-230/460	1.5	A	19	
		143T	EM7114T-C	②	1,273	L1	16.28	85	85.5	208-230/460	1.5	A	19	
1 1/2	1800	145T	EM7032T	Ⓢ	1,248	L1	17.48	55	82.5	230/460	1.7	A		
		3600	143T	EM7018T	Ⓢ	1,021	L1	14.36	47	84	208-230/460	1.9	A	19
		145T	EM7034T	Ⓢ	1,156	L1	16.10	56	86.5	230/460	2	A	19	
1 1/2	1800	145T	EM7134T	Ⓢ	1,556	L1	16.28	92	86.5	208-230/460	2.3	A		
		145T	EM7134T-C	②	1,303	L1	16.28	85	86.5	230/460	2.1	A		
		1200	182T	EM7020T	Ⓢ	1,718	L1	17.42	96	87.5	230/460	2.6	A	19
2	1800	182T	EM7120T	Ⓢ	1,910	L1	18.24	136	87.5	230/460	2.8	A	19	
		3600	145T	EM7071T	Ⓢ	1,045	L1	16.10	56	85.5	230/460	2.5	A	19
		145T	EM7037T	Ⓢ	1,261	L1	16.10	61	86.5	208-230/460	2.7	A	19	
2	1800	145T	EM7137T	Ⓢ	1,638	L1	16.28	92	86.5	208-230/460	2.7	A	19	
		145T	EM7137T-C	②	1,339	L1	16.28	91	86.5	208-230/460	2.8	A		
		1200	184T	EM7041T	Ⓢ	1,770	L1	18.92	109	88.5	230/460	3.3	A	19
3	3600	145T	EM7075T	①	1,238	L1	17.48	77	86.5	230/460	3.7	A		
		182T	EM7026T	Ⓢ	1,308	L1	16.05	70	86.5	230/460	3.7	A	19	
		182T	EM7126T	Ⓢ	1,759	L1	17.56	130	86.5	230/460	3.5	A	19	
3	1800	182T	EM7042T	Ⓢ	1,340	L1	18.92	90	89.5	230/460	4.2	A	19	
		182T	EM7142T	Ⓢ	1,636	L1	17.56	139	89.5	230/460	4	A	19	
		182T	EM7142T-C	②	1,448	L1	17.56	136	89.5	230/460	4	A	19	
5	3600	213T	EM7036T	Ⓢ	1,929	L1	20.32	152	89.5	230/460	3.7	A	19	
		184T	EM7072T	Ⓢ	1,538	L1	18.12	100	88.5	230/460	5.9	A	19	
		184T	EM7172T	Ⓢ	2,062	L1	17.56	155	88.5	230/460	5.7	A	19	
5	1800	184T	EM7044T	Ⓢ	1,660	L1	18.92	105	89.5	230/460	6.5	A	19	
		184T	EM7144T	Ⓢ	2,051	L1	17.56	152	89.5	230/460	6.5	A	19	
		184T	EM7144T-C	②	1,746	L1	17.56	152	89.5	230/460	6.5	A	19	
7 1/2	3600	1200	EM7040T	Ⓢ	2,529	L1	22.32	172	89.5	230/460	5.8	A	19	
		184T	EM7073T	①	2,018	L1	18.92	105	89.5	230/460	8.4	A	30	
		213T	EM7045T	Ⓢ	2,122	L1	19.57	172	89.5	230/460	8.9	A	19	
7 1/2	1800	213T	EM7145T	Ⓢ	2,379	L1	19.90	162	89.5	230/460	8.6	A	19	
		213T	EM7047T	Ⓢ	2,204	L1	19.57	178	91.7	230/460	10.1	A	19	
		213T	EM7147T	Ⓢ	2,430	L1	19.90	192	91.7	230/460	9.4	A	19	
10	3600	213T	EM7147T-C	②	2,184	L1	19.91	225	91.7	230/460	9.5	A	19	
		1200	254T	EM7048T	Ⓢ	2,994	L1	25.50	392	91	230/460	10.7	A	19
		215T	EM7074T	①	2,392	L1	20.82	175	90.2	230/460	11.2	A		
10	1800	215T	EM7174T	Ⓢ	2,496	L1	19.31	188	90.2	230/460	11.1	A	19	
		215T	EM7070T	Ⓢ	2,462	L1	22.32	175	91.7	230/460	12.5	A		
		215T	EM7170T	Ⓢ	3,114	LS	19.90	251	91.7	230/460	12.5	A	19	
10	1200	215T	EM7170T-C	④	3,035	L1	19.91	252	91.7	230/460	12.5	A	19	
		256T	EM7065T	Ⓢ	3,600	L1	25.50	370	91	230/460	14.4	A	19	

<sup>(a)</sup> See notes on inside back flap.

■ Cast Iron Frame

**CAUTION:** Explosion-proof motors have a tight fit between mating parts to ensure the integrity of the explosion-proof enclosure. This can lead to an accumulation of moisture inside the motors due to condensation. Care should be used when selecting an explosion-proof motor, especially when installed outdoors and on intermittent duty. Consider explosion-proof motors on pages 111-113 for outdoor applications. These explosion-proof motors are not suitable for use with adjustable speed drives, inverter duty explosion-proof motors must be used. See page 232.

General Information

Premium Efficient Super-E® Motors

Single Phase Motors

General Purpose Industrial Motors

Severe Duty Motors

Washdown Duty Motors

Explosion Proof Motors

Pump Motors

Light Industrial/Commercial Motors

HVAC Motors

Explosion Proof, Three Phase, Foot Mounted

Hp	RPM	NEMA Frame	Catalog Number	XP (a) CIs/Grp	List Price	Mult. Sym.	"C" Dim.	Aprx. Wt. (lb)	Full Load Efficiency	Voltage	Full Load Amps	EISA Status (a)	Notes (a)
15	3600	254T	EM7053T	Ⓢ	2,822	L1	25.50	305	91	230/460	17.2	A	19
	1800	254T	EM7054T	Ⓢ	3,307	L1	25.50	370	92.4	230/460	18	A	19
		254T	EM7054T-C	②	3,388	L1	25.50	370	92.4	230/460	18	A	19
	1200	284T	EM7057T	Ⓢ	5,803	L1	28.61	450	91.7	230/460	21	A	19
20	3600	256T	EM7059T	Ⓢ	3,619	L1	25.50	395	91	230/460	23	A	19
	1800	256T	EM7056T	Ⓢ	4,285	L1	25.50	393	93	230/460	24	A	19
		256T	EM7056T-C	②	4,375	L1	25.50	393	93	230/460	24	A	19
	1200	286T	EM7079T	Ⓢ	5,958	L1	28.61	540	91.7	230/460	26	A	19
25	3600	284TS	EM7063T	Ⓢ	4,817	L1	27.24	530	91.7	230/460	28	A	19
	1800	284T	EM7058T	Ⓢ	5,199	L1	28.61	542	93.6	230/460	30.5	A	19
		284T	EM7058T-C	②	5,300	L1	28.61	564	93.6	230/460	30.5	A	19
	1200	324T	EM7082T	Ⓢ	7,450	L1	32.00	740	93	230/460	32	A	19
30	3600	286TS	EM7083T	Ⓢ	5,662	L1	27.24	560	91.7	230/460	33	A	19
	1800	286T	EM7060T	Ⓢ	6,338	L1	28.61	567	93.6	230/460	36	A	19
		286T	EM7060T-C	②	6,443	L1	28.61	589	93.6	230/460	37	A	19
	1200	326T	EM7080T	Ⓢ	8,219	L1	32.00	750	93	230/460	39	A	19
40	3600	324TS	EM7067T	Ⓢ	7,552	L1	30.50	740	92.4	230/460	45	A	19
	1800	324T	EM7062T	Ⓢ	8,494	L1	32.00	767	94.1	230/460	48	A	19
		324T	EM7062T-C	②	8,609	L1	32.12	834	94.1	230/460	48	A	19
	1200	364T	EM7084T	Ⓢ	9,526	L1	33.44	910	94.1	230/460	49.4	A	19
50	3600	326TS	EM7081T	Ⓢ	9,670	L1	30.50	724	93	230/460	56	A	19
	1800	326T	EM7064T	Ⓢ	11,326	LS	32.00	783	94.5	230/460	57	A	19
		326T	EM7064T-C	②	9,996	L1	32.12	851	94.5	230/460	57	A	19
	1200	365T	EM7085T	⑦	10,751	L1	33.44	950	94.1	230/460	61.7	A	19
60	1800	364T	EM7066T	⑦	12,670	LS	33.25	965	95	230/460	69	A	19
		364T	EM7066T-C	②	11,174	L1	33.25	989	95	230/460	69	A	19
	1200	404T	EM7086T	⑦	12,828	L1	38.31	1300	94.5	230/460	69	A	19
75	1800	365T	EM7068T	②	13,345	L1	33.44	1065	95.4	230/460	86	A	19, 35
	1200	405T	EM7087T	⑦	14,352	L1	38.31	1335	94.5	230/460	86.9	A	19
100	1800	405T	EM7090T	②	15,498	L1	38.31	1335	95.4	230/460	112	A	19
125	1800	444T	EM74124T-4	②	18,111	L1	44.62	1908	95.4	460	139	A	19
150	1800	445T	EM74154T-4	②	20,240	L1	44.62	2048	95.8	460	165	A	19
200	1800	447T	EM74204T-4	②	28,930	L1	48.40	2417	96.2	460	221	A	19

(a) See notes on inside back flap.

■ Cast Iron Frame

**CAUTION:** Explosion-proof motors have a tight fit between mating parts to ensure the integrity of the explosion-proof enclosure. This can lead to an accumulation of moisture inside the motors due to condensation. Care should be used when selecting an explosion-proof motor, especially when installed outdoors and on intermittent duty. Consider explosion-proof motors on pages 111-113 for outdoor applications. These explosion-proof motors are not suitable for use with adjustable speed drives, inverter duty explosion-proof motors must be used. See page 232.

General Information

Premium Efficient Super-E® Motors

Single Phase Motors

General Purpose Industrial Motors

Severe Duty Motors

Washdown Duty Motors

Explosion Proof Motors

Pump Motors

Light Industrial/Commercial Motors

HVAC Motors

**Explosion Proof,  
Three Phase,  
C-Face,  
Foot Mounted**

**1 thru 50 Hp**

**NEMA 143TC thru 326TC**

**Applications:** Ideal for use on pumps, blowers and valves installed where hazardous fumes or dust may be present.

**Features:** Corrosion resistant epoxy finish. Positively locked drive end bearing. U.L. approved cast conduit box-standard. 1.00 S.F. U.L. and CSA approved for Class 1, Group D, Class 2, Group F & G Efficiency and 3 year warranty. No drip cover.



Hp	RPM	NEMA Frame	Catalog Number	XP <sup>(a)</sup> Cls/Grp	List Price	Mult. Sym.	"C" Dim.	Aprx. Wt. (lb)	Full Load Efficiency	Voltage	Full Load Amps	EISA Status <sup>(a)</sup>	Notes <sup>(a)</sup>
1	1800	143TC	CEM7014T	Ⓢ	1,183	L1	15.23	52	85.5	230/460	0	A	19
1 1/2	3600	143TC	CEM7018T	Ⓢ	1,171	L1	15.23	48	84	230/460	1.9	A	19
	1800	145TC	CEM7034T	Ⓢ	1,281	L1	16.10	59	86.5	230/460	0	A	19
2	3600	145TC	CEM7071T	Ⓢ	1,168	L1	16.10	92	85.5	230/460	2.5	A	19
	1800	145TC	CEM7037T	Ⓢ	1,357	L1	16.10	65	86.5	208-230/460	2.7	A	19
3	3600	145TC	CEM7075T	①	1,448	L1	17.49	75	86.5	230/460	3.7	A	19
	1800	182TC	CEM7042T	Ⓢ	1,645	L1	20.36	85	89.5	230/460	4.2	A	19
5	3600	184TC	CEM7072T	Ⓢ	1,910	L1	18.86	97	88.5	230/460	5.9	A	19
	1800	184TC	CEM7044T	Ⓢ	1,989	L1	18.80	96	89.5	230/460	6.5	A	19
7 1/2	3600	184TC	CEM7073T	①	2,243	L1	20.36	120	89.5	230/460	8.4	A	30
		213TC	CEM7045T	Ⓢ	2,545	L1	20.33	170	89.5	230/460	8.9	A	19
	1800	213TC	CEM7047T	Ⓢ	2,333	L1	20.36	175	91.7	230/460	9.4	A	19
10	3600	215TC	CEM7174T	Ⓢ	2,778	L1	20.65	235	90.2	230/460	11.2	A	19
	1800	215TC	CEM7170T	Ⓢ	2,838	L1	20.65	252	91.7	230/460	12.2	A	19
15	3600	254TC	CEM7053T	Ⓢ	4,014	L1	26.00	305	91	230/460	17.2	A	19
	1800	254TC	CEM7054T	Ⓢ	4,694	L1	26.00	380	92.4	230/460	18	A	19
20	3600	256TC	CEM7059T	Ⓢ	4,812	L1	26.00	406	91	230/460	23	A	19
	1800	256TC	CEM7056T	Ⓢ	5,564	L1	26.00	405	93	230/460	24	A	19
25	3600	284TSC	CEM7063T	Ⓢ	5,000	L1	27.24	535	91.7	230/460	28	A	19
	1800	284TC	CEM7058T	Ⓢ	6,813	L1	28.61	555	93.6	230/460	30.5	A	19
30	1800	286TC	CEM7060T	Ⓢ	7,907	L1	28.61	574	93.6	230/460	36	A	19
40	1800	324TC	CEM7062T	Ⓢ	10,547	L1	32.00	775	94.1	230/460	48	A	19
50	1800	326TC	CEM7064T	Ⓢ	11,993	L1	32.00	795	94.5	230/460	57	A	19

<sup>(a)</sup> See notes on inside back flap.

■ Cast Iron Frame

General Information

Premium Efficient Super-E® Motors

Single Phase Motors

General Purpose Industrial Motors

Severe Duty Motors

Washdown Duty Motors

Explosion Proof Motors

Pump Motors

Light Industrial/Commercial Motors

HVAC Motors



**Explosion Proof,  
Severe Duty,  
Three Phase,  
1.15 Service Factor**

**3 thru 150 Hp**

**NEMA 182T thru 445T**

**Applications:** Harsh industrial environments that contain hazardous gas and vapor, dust, fibers, filings or other material that may have explosive properties.

**Features:** Designed with Super-E® NEMA Premium® efficiency, Severe Duty XEX features, 1.15 service factor, UL and CSA approved for Class I, Group D, Class 2, Group E, F & G, T3C.



Hp	RPM	NEMA Frame	Catalog Number	XP (a) Cls/Grp	List Price	Mult. Sym.	"C" Dim.	Aprx. Wt. (lb)	Full Load Efficiency	Voltage	Full Load Amps	EISA Status (a)	Notes (a)
3	1800	182T	EM7542T-I	③	1,389	SD	18.92	90	89.5	230/460	4.2	A	1
	1200	213T	EM7536T-I	③	1,996	SD	20.32	152	89.5	230/460	4.6	A	1
5	3600	184T	EM7572T-I	③	1,827	SD	18.12	100	88.5	230/460	5.9	A	1
	1800	184T	EM7544T-I	③	1,721	SD	18.92	105	89.5	230/460	6.5	A	1
	1200	215T	EM7540T-I	③	2,618	SD	22.32	172	89.5	230/460	7.2	A	1
7 1/2	1800	213T	EM7547T-I	③	2,122	SD	19.57	178	91.7	230/460	10.1	A	1
	1200	254T	EM7548T-I	③	3,099	SD	25.50	392	91	230/460	10.7	A	1
10	3600	215T	EM7574T-I	③	2,583	SD	22.32	190	90.2	230/460	11.1	A	1
	1800	215T	EM7670T-I	③	2,865	SD	19.90	251	91.7	230/460	12.2	A	1
15	1200	256T	EM7565T-I	③	3,726	SD	25.50	370	91	230/460	14.4	A	1
	1800	254T	EM7554T-I	③	3,436	SD	25.50	370	92.4	230/460	18	A	1
20	3600	256T	EM7559T-I	③	3,746	SD	25.50	395	91	230/460	23	A	1
	1800	256T	EM7556T-I	③	4,302	SD	25.50	393	93	230/460	24	A	1
25	1800	284T	EM7558T-I	③	5,400	SD	28.61	542	93.6	230/460	30.5	A	1
30	1800	286T	EM7560T-I	③	6,595	SD	28.61	567	93.6	230/460	36	A	1
40	1800	324T	EM7562T-I	③	8,825	SD	32.00	767	94.1	230/460	48	A	1
50	1800	326T	EM7564T-I	③	10,267	SD	32.00	790	94.5	230/460	58	A	1
	1200	365T	EM7585T-I	③	11,127	SD	33.44	950	94.1	230/460	61.7	A	1
60	1800	364T	EM7566T-I	③	11,608	SD	33.44	984	95	230/460	95	A	1
75	1800	365T	EM7568T-I	③	12,083	SD	33.44	973	95.4	230/460	95.4	A	1
	1200	405T	EM7587T-I	③	14,855	SD	38.31	1335	94.5	230/460	86.9	A	1
100	1800	405T	EM7590T-I	③	15,497	SD	38.31	1404	95.4	460	112	A	1
	1200	444T	EM7599T-I	③	18,402	SD	44.62	1860	95	460	115	A	1
125	1800	444T	EM7600T-I	③	18,709	SD	44.62	1908	95.4	460	95.8	A	1
150	1800	445T	EM7596T-I	③	20,908	SD	44.62	2048	95.8	460	96.2	A	1

(a) See notes on inside back flap.

■ Cast Iron Frame

General Information

Premium Efficient Super-E® Motors

Single Phase Motors

General Purpose Industrial Motors

Severe Duty Motors

Washdown Duty Motors

Explosion Proof Motors

Pump Motors

Light Industrial/Commercial Motors

HVAC Motors

**Washdown Duty,  
Three Phase,  
Totally Enclosed**

**1 thru 20 Hp**

**NEMA 56C thru 256TC**

**Applications:** Food processing and other applications where motors receive washdown on a regular basis.

**Features:** 300 series stainless steel hardware, moisture sealant on bolt heads, between frame and endplates. Neoprene gaskets. Double sealed ball bearings. Lip and V-Ring seal on drive end; slinger on ODE of TEFC motors. Stainless steel shaft extension. Electrostatically applied epoxy finish. Class F insulation. Super-E® motors have NEMA Premium® efficiency and 3 year warranty.



General Information

Premium Efficient Super-E® Motors

Single Phase Motors

General Purpose Industrial Motors

Severe Duty Motors

Washdown Duty Motors

Explosion Proof Motors

Pump Motors

Light Industrial/Commercial Motors

HVAC Motors

Hp	RPM	NEMA Frame	Encl.	Catalog Number	List Price	Mult. Sym.	"C" Dim.	Aprx. Wt. (lb)	Full Load Efficiency	Voltage	Full Load Amps	EISA Status <sup>(a)</sup>	Notes <sup>(a)</sup>
<b>Foot Mounted</b>													
1	1800	143T	TENV	EWDM3546T	817	WD	12.12	42	85.5	208-230/460	1.4	C	1, 60
1 1/2	1800	145T	TENV	EWDM3554T	898	WD	13.00	47	86.5	230/460	2	C	1, 30, 60
2	1800	145T	TEFC	EWDM3558T	1,054	WD	14.18	49	86.5	208-230/460	2.7	A	1
3	1800	182T	TEFC	EWDM3611T	1,316	WD	16.54	72	89.5	208-230/460	4.1	A	1
5	1800	184T	TEFC	EWDM3615T	1,498	WD	18.03	93	89.5	230/460	6.5	A	1, 30
7 1/2	1800	213T	TEFC	EWDM3710T	1,875	WD	19.04	134	91.7	230/460	9.4	A	1, 30
10	1800	215T	TEFC	EWDM3714T	2,043	WD	20.54	158	91.7	230/460	12	A	1, 30
<b>C-Face, Foot Mounted</b>													
1	3600	56C	TEFC	CEWDM3545	916	WD	12.24	34	84	230/460	1.4	C	1, 60
	1800	56C	TENV	CEWDM3546	920	WD	12.94	44	85.5	230/460	1.4	C	1
		143TC	TENV	CEWDM3546T	939	WD	12.13	40	85.5	208-230/460	1.4	C	1, 60
	1200	56C	TEFC	CEWDM3556	1,033	WD	13.24	41	82.5	208-230/460	1.8	C	1, 60
1 1/2	3600	56C	TENV	CEWDM3550	941	WD	12.07	44	85.5	208-230/460	2	C	1, 60
	1800	145TC	TENV	CEWDM3554T	983	WD	13.00	48	86.5	230/460	2	C	1, 30, 60
2	3600	56HCY	TEFC	CEWDM3555	1,018	WD	14.12	51	85.5	208-230/460	2.5	C	1
		145TC	TEFC	CEWDM3555T	1,038	WD	14.17	51	85.5	208-230/460	2.5	A	1
	1800	145TC	TEFC	CEWDM3558T	1,083	WD	14.16	47	86.5	208-230/460	2.7	A	1
		1200	184TC	TEFC	CEWDM3614T	1,270	WD	18.05	79	88.5	208-230/460	3.3	A
3	3600	145TC	TEFC	CEWDM3559T	1,279	WD	15.55	59	86.5	230/460	3.6	A	1, 30
		182TC	TEFC	CEWDM3610T	1,206	WD	15.18	67	86.5	230/460	3.7	A	1
	1800	182TC	TEFC	CEWDM3611T	1,423	WD	16.54	75	89.5	208-230/460	4.1	A	1
		1200	213TC	TEFC	CEWDM3704T	1,674	WD	19.76	130	89.5	230/460	4.6	A
5	3600	184TC	TEFC	CEWDM3613T	1,693	WD	16.54	84	88.5	208-230/460	5.6	A	1
	1800	184TC	TEFC	CEWDM3615T	1,612	WD	18.04	96	89.5	230/460	6.5	A	1, 30
	1200	215TC	TEFC	CEWDM3708T	1,983	WD	20.51	142	89.5	230/460	7.2	A	1, 30
7 1/2	3600	184TC	TEFC	CEWDM3616T	2,012	WD	18.04	99	89.5	208-230/460	8.4	A	1
		213TC	TEFC	CEWDM3709T	2,385	WD	19.78	139	89.5	208-230/460	8.6	A	1
	1800	213TC	TEFC	CEWDM3710T	2,040	WD	19.78	129	91.7	230/460	9.4	A	1, 30
		1200	254TC	TEFC	CEWDM22976T	3,404	WD	23.57	247	91	230/460	10.7	A
10	3600	215TC	TEFC	CEWDM3711T	2,625	WD	19.78	151	90.2	230/460	11.2	A	1, 30
	1800	215TC	TEFC	CEWDM3714T	2,319	WD	21.27	158	91.7	230/460	12.5	A	1
	1200	256TC	TEFC	CEWDM23932T	3,870	WD	23.57	280	91	230/460	14.4	A	1, 30
15	3600	215TC	TEFC	CEWDM3713T	3,298	WD	21.26	174	91	230/460	16.6	A	1
		254TC	TEFC	CEWDM23994T	4,633	WD	21.94	158	91	230/460	16.6	A	1
	1800	254TC	TEFC	CEWDM23933T	4,560	WD	23.57	226	92.4	230/460	18	A	1
20	3600	256TC	TEFC	CEWDM41906T	5,318	WD	23.57	242	91	230/460	22.5	A	1
	1800	256TC	TEFC	CEWDM23934T	5,289	WD	23.57	280	93	208-230/460	24	A	1

<sup>(a)</sup> See notes on inside back flap.

Paint-Free,  
Three Phase,  
Totally Enclosed,  
C-Face

1/2 thru 10 Hp

NEMA 56C thru 215TC

Applications: Food processing, packaging and outdoor applications.



Features: Sealed ball bearings with moisture-resistant grease. Rotating non-contact labyrinth seal on output shaft extension and contact lip seals on fan shaft extension. Moisture resistant insulation system. Neoprene gaskets. Special processed cast endplates. 300 series stainless steel motor frame, base, shaft and hardware. No exterior paint. Super-E® motors have NEMA Premium® efficiency and 3 year warranty.

Hp	RPM	NEMA Frame	Catalog Number	List Price	Mult. Sym.	"C" Dim.	Aprx. Wt. (lb)	Full Load Efficiency	Voltage	Full Load Amps	EISA Status (a)	Notes (a)
<b>Foot Mounted</b>												
1	1800	56C	<a href="#">CESWDM3546</a>	1,014	WD	12.06	40	85.5	208-230/460	1.4	C	1, 60
1 1/2	1800	145TC	<a href="#">CESWDM3554T</a>	1,062	WD	13.00	47	86.5	230/460	2	C	1, 30, 60
2	3600	145TC	<a href="#">CESWDM3555T</a>	1,258	WD	13.28	49	85.5	208-230/460	2.5	A	
	1800	145TC	<a href="#">CESWDM3558T</a>	1,304	WD	14.18	55	86.5	230/460	2.7	A	1
3	3600	145TC	<a href="#">CESWDM3559T</a>	1,548	WD	15.54	57	86.5	208-230/460	3.6	A	
	1800	182TC	<a href="#">CESWDM3611T</a>	1,595	WD	16.56	80	89.5	208-230/460	4	A	1
5	3600	184TC	<a href="#">CESWDM3613T</a>	1,963	WD	18.06	83	88.5	208-230/460	5.7	A	
	1800	184TC	<a href="#">CESWDM3615T</a>	1,856	WD	18.06	100	89.5	208-230/460	6.4	A	1
7 1/2	3600	213TC	<a href="#">CESWDM3709T</a>	2,478	WD	18.68	129	89.5	208-230/460	8.3	A	
	1800	213TC	<a href="#">CESWDM3710T</a>	2,283	WD	19.81	146	91.7	230/460	9.5	A	1
10	3600	215TC	<a href="#">CESWDM3711T</a>	2,747	WD	19.81	154	90.2	208-230/460	10.6	A	
	1800	215TC	<a href="#">CESWDM3714T</a>	2,598	WD	21.31	168	91.7	230/460	12	A	1
<b>Footless</b>												
1	1800	56C	<a href="#">VESWDM3546</a>	965	WD	12.06	39	85.5	208-230/460	1.4	C	1, 60
1 1/2	1800	56C	<a href="#">VESWDM3554</a>	1,051	WD	12.95	47	86.5	230/460	2	C	1, 30, 60
		145TC	<a href="#">VESWDM3554T</a>	1,051	WD	13.00	47	86.5	230/460	2	C	1, 30, 60
2	1800	145TC	<a href="#">VESWDM3558T</a>	1,200	WD	14.19	50	86.5	208-230/460	2.7	B	1

(a) See notes on inside back flap.

General Information

Premium Efficient Super-E® Motors

Single Phase Motors

General Purpose Industrial Motors

Severe Duty Motors

Washdown Duty Motors

Explosion Proof Motors

Pump Motors

Light Industrial/Commercial Motors

HVAC Motors

BALDOR • RELIANCE®

**Stainless Steel,  
Three Phase,  
Totally Enclosed,  
C-Face,  
Foot Mounted**

**1 thru 20 Hp**

**NEMA 143TC thru 256TC**

**Applications:** Food processing, packaging, outdoor and highly corrosive environments.

**Features:** All external surfaces 300 series stainless steel: motor frame, endplates, conduit box, shaft and base. Moisture resistant insulation system. Four condensate drains in each endplate. Endplate rabbets sealed and conduit box gasketed. Labyrinth seals each end. Especially effective in highly corrosive environments where paint or other finishes do not hold up. Super-E® motors have NEMA Premium® efficiency and 3 year warranty.



General Information

Premium Efficient Super-E® Motors

Single Phase Motors

General Purpose Industrial Motors

Severe Duty Motors

Washdown Duty Motors

Explosion Proof Motors

Pump Motors

Light Industrial/Commercial Motors

HVAC Motors

Hp	RPM	NEMA Frame	Catalog Number	List Price	Mult. Sym.	"C" Dim.	Aprx. Wt. (lb)	Full Load Efficiency	Voltage	Full Load Amps	EISA Status (a)	Notes (a)
1	1800	143TC	<a href="#">CESSWDM3546T</a>	1,257	WD	11.09	42	87.5	208-230/460	1.5	C	
		143TC	<a href="#">CESSWDM3546T-5</a>	1,257	WD	11.09	42	87.5	575	1.1	C	
1 1/2	3600	143TC	<a href="#">CESSWDM3550T</a>	1,261	WD	13.23	50	85.5	208-230/460	1.8	C	
	1800	145TC	<a href="#">CESSWDM3554T</a>	1,281	WD	13.42	45	87.5	208-230/460	2.1	A	
			145TC	<a href="#">CESSWDM3554T-5</a>	1,281	WD	13.42	45	87.5	575	1.6	A
2	3600	145TC	<a href="#">CESSWDM3555T</a>	1,529	WD	14.30	55	86.5	230/460	2.5	A	
	1800	145TC	<a href="#">CESSWDM3558T</a>	1,539	WD	15.67	62	88.5	208-230/460	2.8	A	
			145TC	<a href="#">CESSWDM3558T-5</a>	1,539	WD	15.67	62	88.5	575	2.2	A
3	3600	145TC	<a href="#">CESSWDM3559T</a>	1,842	WD	15.67	44	86.5	208-230/460	3.7	A	
		182TC	<a href="#">CESSWDM3610T</a>	1,967	WD	16.82	82	88.5	208-230/460	3.7	A	
	1800	182TC	<a href="#">CESSWDM3611T</a>	1,799	WD	16.82	94	89.5	230/460	4	A	1
5	3600	184TC	<a href="#">CESSWDM3613T</a>	2,093	WD	18.32	107	90.2	230/460	5.7	A	1
	1800	184TC	<a href="#">CESSWDM3615T</a>	2,025	WD	18.32	115	90.2	230/460	6.4	A	1, 30
7 1/2	3600	213TC	<a href="#">CESSWDM3709T</a>	2,456	WD	19.03	164	91	230/460	8.3	A	1
	1800	213TC	<a href="#">CESSWDM3710T</a>	2,533	WD	20.16	157	91.7	230/460	9.5	A	1
10	3600	215TC	<a href="#">CESSWDM3711T</a>	2,741	WD	20.16	185	91.7	208-230/460	10.6	A	1
	1800	215TC	<a href="#">CESSWDM3714T</a>	2,794	WD	21.66	190	92.4	230/460	12.5	A	1
15	3600	254TC	<a href="#">CESSWDM23994T</a>	5,595	WD	24.67	240	91	208-230/460	16.5	A	1
	1800	254TC	<a href="#">CESSWDM23933T</a>	5,506	WD	24.67	246	92.4	230/460	17.5	A	1, 30
20	3600	256TC	<a href="#">CESSWDM41906T</a>	6,422	WD	24.67	292	91	230/460	21.5	A	1
	1800	256TC	<a href="#">CESSWDM23934T</a>	6,386	WD	24.67	300	93	230/460	23.4	A	1, 30

(a) See notes on inside back flap.

**SSE Super-E  
Stainless Steel,  
Three Phase, Totally  
Enclosed, C-Face,  
Encapsulated**

**1/2 thru 10 Hp**

**NEMA 56C thru 215TC**

**Applications:** Food processing, packaging, outdoor and highly corrosive environments.

**Features:** Class H insulated motor with 1.15 service factor or higher. All external surfaces 300 series stainless steel: motor frame, endplates, conduit box, shaft and base. Moisture resistant insulation system. Endplate rabbets have O-ring seals to band. Conduit box is welded to the motor frame. Patented bearing seal to protect motor bearings, inside and out. Epoxy encapsulation prevents any moisture from reaching the windings as well as potting the passage between the band and the conduit box. Nameplate information is laser etched on the band. Catalog numbers also etched on both sides. Especially effective in highly corrosive environments where paint or other finishes do not hold up. NEMA Premium® efficiency and 3-year warranty.



Hp	RPM	NEMA Frame	Encl.	Catalog Number	List Price	Mult. Sym.	"C" Dim.	Aprx. Wt. (lb)	Full Load Efficiency	Voltage	Full Load Amps	EISA Status (a)	Notes (a)
<b>Foot Mounted, F1 Mounting</b>													
1/2	3600	56C	TENV	CSSEWDM3537	1,209	WD	11.71	50	84	208-230/460	0.7	C	60, 77
	1800	56C	TENV	CSSEWDM3538	1,228	WD	11.71	47	84	230/460	0.9	C	60, 77
3/4	3600	56C	TENV	CSSEWDM3541	1,251	WD	11.71	51	86.5	208-230/460	1	C	60, 77
	1800	56C	TENV	CSSEWDM3542	1,270	WD	12.71	55	84	208-230/460	1	C	60, 77
	1200	56C	TENV	CSSEWDM3543	1,524	WD	13.59	60	82.5	208-230/460	1.3	C	60, 77
1	3600	56C	TENV	CSSEWDM3545	1,315	WD	12.71	58	82.5	208-230/460	1.4	C	60, 77
	1800	56C	TENV	CSSEWDM3546	1,328	WD	12.71	54	87.5	208-230/460	1.5	C	60, 77
		143TC	TENV	CSSEWDM3546T	1,340	WD	12.77	56	87.5	208-230/460	1.5	C	60, 77
1 1/2	3600	56C	TENV	CSSEWDM3550	1,333	WD	13.59	66	85.5	208-230/460	1.8	C	60, 77
		143TC	TENV	CSSEWDM3550T	1,344	WD	13.65	67	85.5	208-230/460	1.8	C	60, 77
	1800	56C	TEFC	CSSEWDM3554	1,339	WD	14.75	65	88.5	230/460	2.2	C	77
2	3600	145TC	TEFC	CSSEWDM3554T	1,352	WD	14.81	68	88.5	230/460	2.2	C	77
		56C	TEFC	CSSEWDM3555	1,602	WD	14.75	65	86.5	208-230/460	2.5	C	77
	145TC	TEFC	CSSEWDM3555T	1,613	WD	14.81	71	86.5	208-230/460	2.5	C	77	
3	1800	56C	TEFC	CSSEWDM3558	1,626	WD	16.13	73	88.5	208-230/460	2.7	C	77
		145TC	TEFC	CSSEWDM3558T	1,637	WD	16.19	74	88.5	208-230/460	2.7	C	77
	3600	145TC	TEFC	CSSEWDM3559T	1,963	WD	16.19	82	86.5	208-230/460	3.7	C	77
5	1800	182TC	TEFC	CSSEWDM3611T	1,977	WD	17.75	101	89.5	208-230/460	4	C	77
	3600	184TC	TEFC	CSSEWDM3613T	2,146	WD	17.75	107	89.5	208-230/460	5.6	C	77
7 1/2	1800	184TC	TEFC	CSSEWDM3615T	2,163	WD	19.25	123	90.2	208-230/460	6.4	C	77
	3600	213TC	TEFC	CSSEWDM3709T	2,701	WD	20.43	178	91	208-230/460	8.3	C	77
10	1800	213TC	TEFC	CSSEWDM3710T	2,758	WD	21.62	182	91.7	230/460	9.5	C	30, 77
	3600	215TC	TEFC	CSSEWDM3711T	3,068	WD	21.62	154	91.7	208-230/460	10.6	C	77
	1800	215TC	TEFC	CSSEWDM3714T	3,253	WD	23.06	187	92.4	208-230/460	12.5	C	77
<b>Foot Mounted, F2 Mounting</b>													
1	1800	143TC	TENV	CSSEWDFM3546T	1,340	WD	12.77	56	87.5	208-230/460	1.4	C	60, 77
1 1/2	1800	145TC	TEFC	CSSEWDFM3554T	1,352	WD	14.81	62	88.5	208-230/460	2.1	C	77
2	1800	145TC	TEFC	CSSEWDFM3558T	1,637	WD	14.83	61	88.5	208-230/460	2.8	C	77
3	1800	182TC	TEFC	CSSEWDFM3611T	1,977	WD	17.75	101	89.5	208-230/460	4	C	77
5	1800	184TC	TEFC	CSSEWDFM3615T	2,163	WD	19.25	123	90.2	208-230/460	6.4	C	77

(a) See notes on inside back flap.

General Information

Premium Efficient Super-E® Motors

Single Phase Motors

General Purpose Industrial Motors

Severe Duty Motors

Washdown Duty Motors

Explosion Proof Motors

Pump Motors

Light Industrial/Commercial Motors

HVAC Motors



SSE Super-E Stainless Steel, Three Phase, Totally Enclosed, C-Face, Encapsulated

Hp	RPM	NEMA Frame	Encl.	Catalog Number	List Price	Mult. Sym.	"C" Dim.	Aprx. Wt. (lb)	Full Load Efficiency	Voltage	Full Load Amps	EISA Status (a)	Notes (a)
<b>Footless</b>													
1/2	3600	56C	TENV	<b>VSSEWDM3537</b>	1,185	WD	11.71	49	84	208-230/460	0.7	C	60, 77
	1800	56C	TENV	<b>VSSEWDM3538</b>	1,205	WD	11.71	51	81.5	208-230/460	0.8	C	60, 77
3/4	3600	56C	TENV	<b>VSSEWDM3541</b>	1,228	WD	11.71	50	86.5	208-230/460	1	C	60, 77
	1800	56C	TENV	<b>VSSEWDM3542</b>	1,247	WD	12.71	54	84	208-230/460	1	C	60, 77
	1200	56C	TENV	<b>VSSEWDM3543</b>	1,501	WD	13.59	58	82.5	208-230/460	1.3	C	60, 77
1	3600	56C	TENV	<b>VSSEWDM3545</b>	1,291	WD	12.71	53	82.5	208-230/460	1.4	C	60, 77
	1800	56C	TENV	<b>VSSEWDM3546</b>	1,305	WD	12.71	57	87.5	208-230/460	1.5	C	60, 77
		143TC	TENV	<b>VSSEWDM3546T</b>	1,317	WD	12.77	57	87.5	208-230/460	1.5	C	60, 77
	1200	56C	TEFC	<b>VSSEWDM3556</b>	1,554	WD	16.13	66	84	208-230/460	1.7	C	77
1 1/2	3600	56C	TENV	<b>VSSEWDM3550</b>	1,309	WD	13.59	65	85.5	208-230/460	1.8	C	60, 77
		143TC	TENV	<b>VSSEWDM3550T</b>	1,321	WD	13.65	63	85.5	208-230/460	1.8	C	60, 77
	1800	56C	TEFC	<b>VSSEWDM3554</b>	1,316	WD	14.75	65	88.5	230/460	2.2	C	77
2	3600	145TC	TEFC	<b>VSSEWDM3554T</b>	1,328	WD	14.81	61	88.5	230/460	2.2	C	77
		56C	TEFC	<b>VSSEWDM3555T</b>	1,591	WD	14.81	65	86.5	208-230/460	2.5	C	77
	1800	56C	TEFC	<b>VSSEWDM3558</b>	1,603	WD	16.13	70	88.5	208-230/460	2.7	C	77
2	1800	145TC	TEFC	<b>VSSEWDM3558T</b>	1,614	WD	16.19	70	88.5	208-230/460	2.7	C	77

(a) See notes on inside back flap.

General Information

Premium Efficient Super-E® Motors

Single Phase Motors

General Purpose Industrial Motors

Severe Duty Motors

Washdown Duty Motors

Explosion Proof Motors

Pump Motors

Light Industrial/Commercial Motors

HVAC Motors

**Close-Coupled Pump, 1 thru 50 Hp**  
**Three Phase, TEFC, C-Face**

**NEMA 143JM thru 326JM**

**Applications:** Applications for circulating and transferring fluids. Mounting designed to support pump unit.

**Features:** Over-sized ball bearings with locked drive end construction to minimize endplay. Super-E® motors have NEMA Premium® efficiency and 3-year warranty.



Hp	RPM	NEMA Frame	Catalog Number	List Price	Mult. Sym.	"C" Dim.	Aprx. Wt. (lb)	Full Load Efficiency	Voltage	Full Load Amps	EISA Status (a)	Notes (a)
<b>Foot Mounted</b>												
1	1800	143JM	<b>EJMM3546T</b>	729	L1	15.43	44	85.5	208-230/460	1.5	B	1
1 1/2	3600	143JM	<b>EJMM3550T</b>	724	L1	15.43	47	84	208-230/460	2	B	1
	1800	145JM	<b>EJMM3554T</b>	776	L1	16.31	53	86.5	208-230/460	2.1	B	1
2	3600	145JM	<b>EJMM3555T</b>	777	L1	16.31	54	85.5	208-230/460	2.5	B	1
	1800	145JM	<b>EJMM3558T</b>	793	L1	16.31	52	86.5	208-230/460	2.7	B	1
3	3600	145JM	<b>EJMM3559T</b>	835	L1	17.68	61	86.5	208-230/460	3.5	B	1
	182JM	<b>EJMM3610T</b>	836	L1	18.19	66	86.5	208-230/460	3.5	B	1	
5	1800	182JM	<b>EJMM3611T</b>	920	L1	18.06	75	89.5	208-230/460	4.1	B	1
	3600	184JM	<b>EJMM3613T</b>	992	L1	18.06	81	88.5	208/230/460	5.6	B	1
7 1/2	1800	184JM	<b>EJMM3615T</b>	923	L1	19.56	95	89.5	230/460	6.5	B	1, 30
	3600	213JM	<b>EJMM3709T</b>	1,299	L1	19.81	142	89.5	230/460	8.9	B	1
10	1800	213JM	<b>EJMM3710T</b>	1,404	L1	20.94	140	91.7	230/460	9.4	B	1, 30
	3600	215JM	<b>EJMM3711T</b>	1,492	L1	20.94	154	90.2	230/460	11.2	B	1, 30
15	215JM	<b>EJMM3714T</b>	1,650	L1	22.44	158	91.7	208-230/460	12.5	B	1	
	1800	215JP	<b>EJPM3714T</b>	1,650	L1	26.29	165	91.7	208-230/460	12	B	1
	3600	254JM	<b>EJMM2394T</b>	2,725	L1	25.30	248	90.2	230/460	17.2	B	1, 30
		254JP	<b>EJPM2394T</b>	2,725	L1	28.16	270	90.2	208-230/460	17.8	B	1, 30
20	1800	254JM	<b>EJMM2333T</b>	2,701	L1	25.30	255	92.4	230/460	18.5	B	1, 30
	254JP	<b>EJPM2333T</b>	2,701	L1	28.04	255	92.4	208-230/460	18.5	B	1, 30	
	3600	256JM	<b>EJMM4106T</b>	3,001	L1	25.30	282	90.2	230/460	22.5	B	1, 30
		256JP	<b>EJPM4106T</b>	3,001	L1	28.16	265	91	208-230/460	23	B	1, 30
25	1800	256JM	<b>EJMM2334T</b>	3,048	L1	25.30	303	93	230/460	24	B	1, 30
	256JP	<b>EJPM2334T</b>	3,048	L1	28.16	303	93	230/460	24	B	1, 30	
	3600	284JM	<b>EJMM4107T</b>	3,487	L1	26.96	383	91.7	230/460	28	B	1, 30
		284JP	<b>EJPM4107T</b>	3,487	L1	29.84	286	91.7	230/460	28	B	1, 30
30	1800	284JM	<b>EJMM4103T</b>	3,612	L1	28.64	418	93.6	230/460	30	B	1, 30
	284JP	<b>EJPM4103T</b>	3,612	L1	31.51	410	93.6	230/460	30	B	1, 30	
	3600	286JM	<b>EJMM4108T</b>	4,796	L1	28.64	382	91.7	208-230/460	33	B	1
		286JP	<b>EJPM4108T</b>	4,796	L1	31.51	435	91.7	208-230/460	35	B	1
40	1800	286JM	<b>EJMM4104T</b>	4,280	L1	28.64	451	93.6	230/460	36	B	1, 30
	286JP	<b>EJPM4104T</b>	4,280	L1	31.51	460	93.6	230/460	36	B	1, 30	
	3600	324JM	<b>EJMM4109T</b>	5,431	L1	30.64	479	92.4	208-230/460	45	B	1, 30
		324JP	<b>EJPM4109T</b>	5,431	L1	33.51	489	92.4	208-230/460	45	B	1, 30
50	1800	324JM	<b>EJMM4110T</b>	5,564	L1	30.53	617	94.1	230/460	48	B	1, 30
	324JP	<b>EJPM4110T</b>	5,564	L1	33.41	618	94.1	230/460	48	B	1, 30	
	3600	326JM	<b>EJMM4114T</b>	6,572	L1	30.53	575	93	208-230/460	56	B	1, 30
		326JP	<b>EJPM4114T</b>	6,572	L1	33.41	630	93	230/460	56	B	1, 30
326JM	<b>EJMM4115T</b>	6,688	L1	30.53	633	94.5	230/460	57	B	1, 30		
	326JP	<b>EJPM4115T</b>	6,688	L1	33.41	635	94.5	230/460	57	B	1, 30	
<b>Footless</b>												
1	1800	143JM	<b>VEJMM3546T</b>	609	L1	15.43	41	85.5	208-230/460	1.5	B	1
1 1/2	1800	145JM	<b>VEJMM3554T</b>	642	L1	16.31	51	86.5	208-230/460	2.1	B	1
2	1800	145JM	<b>VEJMM3558T</b>	769	L1	16.31	49	86.5	208-230/460	2.5	B	1
3	1800	182JM	<b>VEJMM3611T</b>	878	L1	18.05	70	89.5	208-230/460	4.1	B	1
5	1800	184JM	<b>VEJMM3615T</b>	1,013	L1	19.70	90	89.5	208-230/460	6.5	B	1
7 1/2	1800	213JM	<b>VEJMM3710T</b>	1,483	L1	20.92	128	91.7	230/460	9.4	B	1, 30
10	1800	215JM	<b>VEJMM3714T</b>	1,717	L1	22.40	158	91.7	208-230/460	12	B	1, 30

(a) See notes on inside back flap. ■ Cast Iron Frame

General Information

Premium Efficient Super-E® Motors

Single Phase Motors

General Purpose Industrial Motors

Severe Duty Motors

Washdown Duty Motors

Explosion Proof Motors

Pump Motors

Light Industrial/Commercial Motors

HVAC Motors

BALDOR • RELIANCE®

**Close-Coupled Pump, 1 thru 50 Hp**  
**Three Phase,**  
**ODP, C-Face**

**NEMA 143JM thru 326JP**

**Applications:** Applications for circulating and transferring fluids. Mounting designed to support pump unit.

**Features:** Over-sized ball bearings with locked drive end construction to minimize endplay. Open drip-proof, close coupled pump motors are furnished with rodent screens at both ends. Super-E® motors have NEMA Premium® efficiency and 3-year warranty.



General Information

Premium Efficient Super-E® Motors

Single Phase Motors

General Purpose Industrial Motors

Severe Duty Motors

Washdown Duty Motors

Explosion Proof Motors

Pump Motors

Light Industrial/Commercial Motors

HVAC Motors

Hp	RPM	NEMA Frame	Catalog Number	List Price	Mult. Sym.	"C" Dim.	Aprx. Wt. (lb)	Full Load Efficiency	Voltage	Full Load Amps	EISA Status (a)	Notes (a)
<b>Foot Mounted</b>												
1	1800	143JM	<b>EJMM3116T</b>	623	L1	13.75	37	85.5	208-230/460	1.4	B	1
1 1/2	1800	145JM	<b>EJMM3154T</b>	674	L1	15.13	43	86.5	208-230/460	2.1	B	1
2	3600	145JM	<b>EJMM3155T</b>	746	L1	13.75	45	85.5	208-230/460	2.5	B	1
	1800	145JM	<b>EJMM3157T</b>	738	L1	15.13	51	86.5	208-230/460	2.7	B	1
3	3600	145JM	<b>EJMM3158T</b>	837	L1	15.13	54	85.5	230/460	3.7	B	1, 30
	1800	182JM	<b>EJMM3211T</b>	816	L1	16.50	69	89.5	230/460	4	B	1, 30
5	3600	182JM	<b>EJMM3212T</b>	998	L1	16.50	76	86.5	208-230/460	5.6	B	1
	1800	184JM	<b>EJMM3218T</b>	923	L1	18.00	90	89.5	230/460	6.6	B	1, 30
7 1/2	3600	184JM	<b>EJMM3219T</b>	1,179	L1	18.00	91	88.5	208-230/460	8.4	B	1
	1800	213JM	<b>EJMM3311T</b>	1,384	L1	18.19	121	91	230/460	9.6	B	1, 30
10	3600	213JM	<b>EJMM3312T</b>	1,519	L1	19.31	136	89.5	230/460	11.5	B	1, 30
		213JP	<b>EJPM3312T</b>	1,519	L1	22.07	129	89.5	208-230/460	11.5	B	1, 30
	1800	215JM	<b>EJMM3313T</b>	1,497	L1	19.31	163	91.7	230/460	12.5	B	1, 30
		215JP	<b>EJPM3313T</b>	1,497	L1	22.07	136	91.7	208-230/460	12.5	B	1, 30
15	3600	215JM	<b>EJMM3314T</b>	1,955	L1	19.31	154	90.2	230/460	17	B	1, 30
		215JP	<b>EJPM3314T</b>	1,955	L1	22.07	154	90.2	208-230/460	17	B	1, 30
	1800	254JM	<b>EJMM2513T</b>	2,214	L1	23.19	234	93	230/460	17.7	B	1, 30
		254JP	<b>EJPM2513T</b>	2,214	L1	26.06	242	93	208-230/460	17.7	B	1, 30
20	3600	254JM	<b>EJMM2514T</b>	2,462	L1	23.19	186	91	230/460	22.5	B	1, 30
		254JP	<b>EJPM2514T</b>	2,462	L1	26.06	221	91	230/460	23.5	B	1, 30
	1800	256JM	<b>EJMM2515T</b>	2,652	L1	23.19	237	93	230/460	23.5	B	1, 30
		256JP	<b>EJPM2515T</b>	2,652	L1	26.06	234	93	230/460	23.5	B	1, 30
25	3600	256JM	<b>EJMM2516T</b>	2,918	L1	23.19	242	91.7	230/460	28	B	1, 30
		256JP	<b>EJPM2516T</b>	2,918	L1	26.06	252	91.7	230/460	29	B	1, 30
	1800	284JM	<b>EJMM2531T</b>	3,155	L1	19.44	335	93.6	230/460	30	B	1
		284JP	<b>EJPM2531T</b>	3,155	L1	27.57	330	93.6	230/460	29	B	1, 30
30	3600	284JM	<b>EJMM2534T</b>	3,709	L1	26.56	248	91.7	230/460	33	B	1
		284JP	<b>EJPM2534T</b>	3,709	L1	29.44	248	91.7	230/460	33	B	1
	1800	286JM	<b>EJMM2535T</b>	3,779	L1	20.69	379	94.1	230/460	35	B	1
		286JP	<b>EJPM2535T</b>	3,779	L1	28.82	378	94.1	230/460	35	B	1, 30
40	3600	286JM	<b>EJMM2538T</b>	4,466	L1	26.56	385	92.4	230/460	45	B	1
		286JP	<b>EJPM2538T</b>	4,466	L1	29.44	279	92.4	230/460	45	B	1
	1800	324JM	<b>EJMM2539T</b>	4,594	L1	22.19	523	94.1	230/460	46	B	1
		324JP	<b>EJPM2539T</b>	4,594	L1	29.82	475	94.1	230/460	47	B	1, 30
50	3600	324JM	<b>EJMM2542T</b>	5,035	L1	27.44	447	93	208-230/460	55	B	1
		324JP	<b>EJPM2542T</b>	5,035	L1	30.31	383	93	230/460	55	B	1
	1800	326JM	<b>EJMM2543T</b>	5,312	L1	27.94	477	94.5	230/460	57	B	1
		326JP	<b>EJPM2543T</b>	5,312	L1	30.82	474	94.5	230/460	57	B	1, 30
<b>Footless</b>												
1	1800	143JM	<b>VEJMM3116T</b>	623	L1	15.43	44	85.5	208-230/460	1.4	B	1
1 1/2	1800	145JM	<b>VEJMM3154T</b>	668	L1	16.31	49	86.5	208-230/460	2	B	1
2	1800	145JM	<b>VEJMM3157T</b>	731	L1	16.31	50	86.5	208-230/460	2.7	B	1
3	1800	182JM	<b>VEJMM3211T</b>	802	L1	18.06	81	89.5	230/460	4	B	1, 30
5	1800	184JM	<b>VEJMM3218T</b>	908	L1	18.06	87	89.5	230/460	6.6	B	1, 30
7 1/2	1800	213JM	<b>VEJMM3311T</b>	1,370	L1	19.78	119	91	230/460	9.6	B	1, 30
10	1800	215JM	<b>VEJMM3313T</b>	1,483	L1	22.41	158	91.7	208-230/460	12.5	B	1

(a) See notes on inside back flap.

Single Phase,  
TEFC and ODP,  
Foot Mounted

1/4 thru 5 Hp

NEMA 48 thru 184T

Applications: Energy saving applications where continuous operation is required.



Features: Low-loss electrical grade lamination steel, heavy-gauge steel frames, three year warranty.

Hp	RPM	NEMA Frame	Catalog Number	List Price	Mult. Sym.	"C" Dim.	Aprx. Wt. (lb)	Full Load Efficiency	Voltage	Full Load Amps	EISA Status (a)	Notes (a)
<b>Totally Enclosed Fan Cooled</b>												
1/4	1800	48	EL3403	370	K	10.48	24	74	115/230	1.3	C	1, 65
1/3	3600	48	EL3405	354	K	11.35	28	72	115/208-230	1.6	C	30, 65
	1800	56	EL3501	409	K	11.97	28	77	115/230	1.6	C	1, 65
1/2	3600	56	EL3503	401	K	11.97	24	68	115/230	2.5	C	65
	1800	56	EL3504	482	K	11.97	30	78.5	115/230	2.3	C	1, 65
3/4	3600	56	EL3506	451	K	11.97	31	72	115/230	3.9	C	65
	1800	56	EL3507	587	K	13.25	41	82.5	115/230	3.2	C	1, 65
1	3600	56/56H	EL3509	521	K	12.93	39	74	115/230	4.7	C	65
	1800	56H	EL3510	674	K	13.81	44	82.5	115/230	4.3	C	1, 36, 65
1 1/2	1800	56H	EL3514	768	K	15.18	57	84	115/230	6.3	C	1, 36, 65
		145T	EL3514T	768	L1	15.55	57	84	115/230	6.3	C	1, 65
2	3600	145T	EL3515T	901	L1	14.18	56	77	115/230	8.3	C	65
	1800	182T	EL3605T	1,050	L1	16.56	64	82.5	115/230	8.8	C	1, 65
3	3600	182T	EL3606T	980	L1	16.56	77	82	115/230	12.4	C	2, 65
	1800	184T	EL3609T	1,225	L1	18.06	90	85.5	230	11.8	C	1, 65
5	3600	184T	EL3608T	1,351	L1	18.06	93	82	230	0	C	2, 20, 65
	1800	184T	EL3612T	1,462	L1	18.06	96	86.5	230	19.1	C	2, 20, 65
<b>Open Drip Proof</b>												
1/4	1800	48	EL1203	321	K	9.76	23	74	115/230	1.3	C	1, 65
1/3	3600	48	EL1205	293	K	9.76	26	72	115/208-230	1.6	C	65
	1800	56	EL1301	380	K	10.13	26	77	115/230	1.6	C	1, 65
1/2	3600	56	EL1303	323	K	10.13	23	68	115/230	2.5	C	65
	1800	56	EL1304	435	K	11.00	29	78.5	115/230	2.3	C	1, 65
3/4	3600	56	EL1306	394	K	11.00	29	72	115/230	3.9	C	65
	1800	56	EL1307	536	K	12.06	38	84	115/230	3.3	C	1, 65
1	3600	56	EL1309	414	K	11.00	32	74	115/208-230	5.1	C	65
	1800	56	EL1310	584	K	12.94	42	84	115/230	4.3	C	1, 65
1 1/2	3600	56H	EL1313	580	K	12.25	37	80	115/208-230	6.2	C	65
	1800	56H	EL1319	765	K	14.00	51	85.5	115/230	6.3	C	1, 36, 65
		143T	EL1319T	793	L1	13.00	49	85.5	115/230	6.3	C	1, 65
2	3600	56H	EL1317	771	K	11.75	46	75.5	115/230	9	C	
	1800	182T	EL1405T	894	L1	15.87	65	82.5	115/230	8.8	C	1, 65
3	3600	182T	EL1406T	941	L1	15.00	74	81	115/230	12.3	C	65
	1800	184T	EL1408T	936	L1	16.50	78	85.5	208-230	11.2	C	1, 65
5	3600	184T	EL1409T	1,118	L1	15.00	77	81.5	230	0	C	65
	1800	184T	EL1410T	1,069	L1	18.00	95	86.5	230	19.1	C	1, 65

(a) See notes on inside back flap.

General Information

Premium Efficient Super-E® Motors

Single Phase Motors

General Purpose Industrial Motors

Severe Duty Motors

Washdown Duty Motors

Explosion Proof Motors

Pump Motors

Light Industrial/Commercial Motors

HVAC Motors

Single Phase, TEFC, Foot Mounted

1/12 thru 15 Hp

NEMA 42 thru 256T

**Applications:** Compressors, pumps, fans, farm equipment, conveyors, material handling equipment, machine tools and others.



**Features:** Heavy gauge steel frames and a heavy duty base seam welded to the frame, ball bearings, a "Snap Action" starting switch and gasketed conduit box and capacitor cover.

Hp	RPM	NEMA Frame	Catalog Number	List Price	Mult. Sym.	"C" Dim.	Aprx. Wt. (lb)	Full Load Efficiency	Voltage	Full Load Amps	EISA Status (a)	Notes (a)
1/12	1800	42	L3351	261	K	9.56	15	44	115/230	1	C	3, 30
	3600	42	L3352	267	K	9.56	15	45	115/230	1.3	C	3, 30
1/8	1800	42	L3353	271	K	9.56	16	47	115/230	1.6	C	3, 30
	3600	42	L3354	280	K	9.56	16	52	115/230	1.6	C	3, 30
1/6	1800	42	L3355	296	K	9.56	18	51	115/230	1.8	C	3, 30
		48	L3400	295	K	10.73	18	49	115/230	1.9	C	3, 30
	1200	48	L3401	416	K	10.73	23	47	115/230	2.3	C	3, 30
	3600	42	L3356	299	K	9.56	18	57	115/230	2	C	3, 30
1/4	1800	48	EL3403	370	K	10.48	24	74	115/230	1.3	C	1, 65
		48	L3403	303	K	10.73	20	55	115/230	2.5	C	3, 30
	1200	48	L3403M	347	K	10.73	20	55	115/230	2.5	C	3, 30
		48	L3404	443	K	11.35	26	48	115/230	3.2	C	3, 30
1/3	3600	56	L3500	465	K	12.25	27	47	115/230	3	C	3, 30
		48	EL3405	354	K	11.35	28	72	115/208-230	1.6	C	30, 65
	1800	48	L3405	276	K	10.73	20	55	115/208-230	3	C	3, 30
		48	L3406	321	K	10.73	21	60	115/230	3	C	3, 30
48		L3406M	365	K	10.73	22	60	115/230	3	C	3, 30	
56		EL3501	409	K	11.97	28	77	115/230	1.6	C	1, 65	
1/2	1200	56	L3501	311	K	11.35	22	60	115/230	3	C	3, 30
		56	L3501M	365	K	11.35	22	60	115/230	3	C	3, 30
	3600	48	L3407	487	K	11.35	27	54	115/230	3.7	C	3, 30
		56	L3502	487	K	11.97	29	54	115/230	3.7	C	3, 30
3/4	3600	48	L3408	312	K	10.73	21	66	115/230	3.5	C	3, 30
		56	EL3503	401	K	11.97	24	68	115/230	2.5	C	65
		56	L3503	312	K	11.35	22	66	115/230	3.5	C	3, 30
		48	L3409	357	K	11.35	26	68	115/230	3.7	C	3, 30
	1800	48	L3409M	429	K	11.35	27	68	115/230	3.7	C	3, 30
		56	EL3504	482	K	11.97	30	78.5	115/230	2.3	C	1, 65
		56	L3504	365	K	11.35	27	68	115/230	3.7	C	3, 30
		56	L3504A	436	K	11.97	27	68	115/230	3.7	C	3, 30
1200	56/56H	L3504M	429	K	11.97	27	68	115/230	3.7	C	3, 30	
3600	56	L3505	691	K	12.93	43	59	115/230	4	C	3, 30, 36	
	56	EL3506	451	K	11.97	31	72	115/230	3.9	C	65	
1800	56	L3506	351	K	11.97	29	66	115/230	4.8	C	3, 30	
	56	EL3507	587	K	13.25	41	82.5	115/230	3.2	C	1, 65	
	56	L3507	420	K	12.47	34	72	115/230	4.2	C	30, 65	
	56	L3507A	527	K	12.47	34	74	115/230	4.1	C	30, 65	
	56	L3507M	504	K	12.47	34	74	115/230	4.1	C	30, 65	
	56/56H	L3508	799	K	12.93	41	68	115/230	5	C	2, 30, 36, 65	
143T	L3508T	787	L1	13.29	44	68	115/230	5	C	2, 30, 65		

(a) See notes on inside back flap.

General Information

Premium Efficient Super-E® Motors

Single Phase Motors

General Purpose Industrial Motors

Severe Duty Motors

Washdown Duty Motors

Explosion Proof Motors

Pump Motors

Light Industrial/Commercial Motors

HVAC Motors



**Single Phase, TEFC, Foot Mounted**

Hp	RPM	NEMA Frame	Catalog Number	List Price	Mult. Sym.	"C" Dim.	Aprx. Wt. (lb)	Full Load Efficiency	Voltage	Full Load Amps	EISA Status (a)	Notes (a)
1	3600	56/56H	<b>EL3509</b>	521	K	12.93	39	74	115/230	4.7	C	65
		56/56H	<b>L3509</b>	407	K	12.93	37	68	115/230	5.9	C	3, 30, 36
		56/56H	<b>L3509M</b>	460	K	12.93	40	66	115/230	6	C	3, 36
	1800	56/56H	<b>L3510A</b>	592	K	12.93	40	67	115/230	6.5	C	3, 30, 36
		56/56H	<b>L3510M</b>	572	K	12.93	41	67	115/230	6.5	C	3, 30, 36
		56H	<b>EL3510</b>	674	K	13.81	44	82.5	115/230	4.3	C	1, 36, 65
		56H	<b>L3510</b>	477	K	12.93	40	68	115/230	6.4	C	3, 30, 36
		143T	<b>L3510T</b>	486	L1	13.29	37	68	115/230	6.4	C	3, 30
		143T	<b>L3510TM</b>	572	L1	13.31	37	67	115/230	6.5	C	3, 30
		182	<b>L3601</b>	878	L1	14.31	54	72	115/230	6	C	3, 30
1200	184	<b>L3607</b>	1,402	L1	15.69	71	67	115/230	7	C	3, 30	
1 1/2	3600	56/56H	<b>L3513</b>	545	K	12.93	41	70	115/230	8	C	3, 30, 36
		56/56H	<b>L3513M</b>	624	K	12.93	45	70	115/230	7.5	C	2, 3, 36
		143T	<b>L3513T</b>	535	L1	13.31	41	70	115/230	8	C	3, 30
	1800	56/56H	<b>L3514</b>	551	K	13.81	48	75.5	115/230	8	C	30, 36, 65
		56/56H	<b>L3514A</b>	702	K	13.81	49	75.5	115/230	8	C	2, 36, 65
		56/56H	<b>L3514M</b>	646	K	13.81	50	75.5	115/230	8	C	2, 36, 65
		56H	<b>EL3514</b>	768	K	15.18	57	84	115/230	6.3	C	1, 36, 65
		145T	<b>EL3514T</b>	768	L1	15.55	57	84	115/230	6.3	C	1, 65
		145T	<b>L3514T</b>	559	L1	13.30	44	78.5	115/230	7	C	30, 65
		145T	<b>L3514TM</b>	646	L1	14.17	48	75.5	115/230	8	C	2, 65
184	<b>L3603</b>	956	L1	15.69	66	70	115/230	9.5	C	3, 30		
1200	184T	<b>L3613T</b>	1,461	L1	16.56	75	73	115/230	8.2	C	1, 30, 65	
2	3600	56/56H	<b>L3515</b>	696	K	13.81	51	74	115/230	11.5	C	1, 3, 30, 36
		56/56H	<b>L3515M</b>	729	K	13.81	51	74	115/230	11.5	C	2, 3, 36
		145T	<b>L3515T</b>	702	L1	14.19	51	74	115/230	11.5	C	1, 3, 30
		145T	<b>EL3515T</b>	901	L1	14.18	56	77	115/230	8.3	C	65
	1800	56HZ	<b>L3516TM</b>	919	K	13.31	46	82.5	230	8.1	C	1, 57
		145T	<b>L3516T</b>	893	L1	14.18	48	78	115/230	8.6	C	1, 65
		182T	<b>L3605T</b>	798	L1	16.56	67	75.5	115/230	11.5	C	3, 30
		182T	<b>L3605TM</b>	973	L1	16.56	71	75	115/230	11	C	2, 3
		182T	<b>EL3605T</b>	1,050	L1	16.56	64	82.5	115/230	8.8	C	1, 65
		184	<b>L3605</b>	1,070	L1	15.69	66	75.5	115/230	11.5	C	3, 30
184	<b>L3605M</b>	1,147	L1	15.69	67	75.5	115/230	11.5	C	3, 30		
1200	215	<b>L3703</b>	2,315	L1	17.51	114	80	115/230	9.4	C	2, 30, 65	
3	3600	182T	<b>EL3606T</b>	980	L1	16.56	77	82	115/230	12.4	C	2, 65
		182T	<b>L3606T</b>	823	L1	16.56	73	76	115/230	14.5	C	1, 3, 30
		184	<b>L3606</b>	1,510	L1	15.69	70	76	115/230	14.5	C	1, 3, 30
	1800	184T	<b>EL3609T</b>	1,225	L1	18.06	90	85.5	230	11.8	C	1, 65
		184T	<b>L3609T</b>	939	L1	16.56	79	78	115/230	14	C	2, 20, 30, 65
		184T	<b>L3609TM</b>	1,015	L1	16.54	79	78	115/230	14.5	C	2, 20
		215	<b>L3705</b>	1,825	L1	17.51	116	80	115/230	14	C	30, 65
	1200	215	<b>L3706</b>	2,780	L1	17.51	109	82.5	115/230	14	C	1, 30, 65
5	3600	184T	<b>EL3608T</b>	1,351	L1	18.06	93	82	230	0	C	2, 20, 65
		184T	<b>L3608T</b>	1,133	L1	18.06	89	83	230	19.5	C	2, 20, 65
		184T	<b>L3608TM</b>	1,169	L1	18.05	86	83	230	19.5	C	2, 20
	1800	184T	<b>EL3612T</b>	1,462	L1	18.06	96	86.5	230	19.1	C	2, 20, 65
		184T	<b>L3612TM</b>	1,180	L1	18.05	99	80	230	23	C	2, 20
		213T	<b>L3708T</b>	1,120	L1	19.02	117	84	230	20.5	C	1, 30, 65
		213T	<b>L3708TM</b>	1,316	L1	19.02	135	82	230	21.5	C	2, 65
215	<b>L3708</b>	1,866	L1	18.64	130	84	230	20.5	C	1, 30, 65		
7 1/2	3600	213T	<b>L3709T</b>	1,459	L1	17.89	121	83	230	33	C	2, 30, 65
	1800	215T	<b>L3710T</b>	1,480	L1	19.02	138	86.5	230	29	C	2, 20, 30, 65
10	3600	215T	<b>L3711T</b>	1,789	L1	19.02	145	82	230	40	C	2, 20, 65
	1800	215T	<b>L3712T</b>	1,816	L1	20.52	161	86.5	230	38	C	2, 20, 65
15	1800	254T	<b>L1177T</b>	5,173	L1	23.28	322	86.5	230	60	C	2, 20, 65
		256T	<b>L3912T</b>	4,646	L1	24.56	288	86.5	208-230	58	C	30

(a) See notes on inside back flap.

■ Cast Iron Frame

General Information

Premium Efficient Super-E® Motors

Single Phase Motors

General Purpose Industrial Motors

Severe Duty Motors

Washdown Duty Motors

Explosion Proof Motors

Pump Motors

Light Industrial/Commercial Motors

HVAC Motors

BALDOR • RELIANCE

Single Phase, TEFC, C-Face, No Drip Cover

1/6 thru 10 Hp

NEMA 56C thru 215TC

**Applications:** Pumps, fans, conveyors, machine tools, gear reducers and other applications requiring a NEMA C-face motor.



**Features:** Pressure cast aluminum end plates with ribbed design for rigidity. Ball bearings with a locked drive end bearing, heavy-gauge steel frame, and gasketed conduit box and capacitor cover.

Hp	RPM	NEMA Frame	Catalog Number	List Price	Mult. Sym.	"C" Dim.	Aprx. Wt. (lb)	Full Load Efficiency	Voltage	Full Load Amps	EISA Status <sup>(a)</sup>	Notes <sup>(a)</sup>
<b>C-Face, Foot Mounted</b>												
1/4	1800	56C	CL3403	320	K	11.35	21	55	115/230	2.5	C	3
	3600	56C	CL3405	319	K	11.35	21	55	115/208-230	3	C	3
1/3	1800	56C	CL3501	334	K	11.35	23	60	115/230	3	C	3, 30
	3600	56C	CL3503	335	K	11.35	24	66	115/230	3.5	C	3, 30
1/2	1800	56C	CL3504	390	K	11.35	28	68	115/230	3.7	C	3, 30
	3600	56C	CL3506	373	K	11.97	29	66	115/230	4.8	C	3, 30
3/4	1800	56C	CL3507	466	K	12.47	35	72	115/230	4.2	C	30, 65
	3600	56C	CL3509	431	K	12.25	37	68	115/230	5.9	C	3, 30
1	1800	56C	CL3510	526	K	13.25	40	68	115/230	6.4	C	3, 30
	3600	56C	CL3513	558	K	13.25	44	70	115/230	7.5	C	3, 30
1 1/2	1800	56C	CL3514	624	K	14.12	49	75.5	115/230	8	C	30, 65
	3600	56C	CL3515	719	K	14.12	52	74	115/230	11.5	C	1, 3, 30
2	1800	145TC	CL3515T	725	L1	14.19	53	74	115/230	11.5	C	1, 3, 30
	3600	145TC	CL3516TM	927	L1	14.16	52	78	230	8.3	C	1
3	1800	184TC	CL3619TM	1,206	L1	16.54	81	81.5	230	13.2	C	2, 20
	3600	184TC	CL3608TM	1,306	L1	18.05	91	83	230	19.5	C	2, 20
5	1800	184TC	CL3612TM	1,264	L1	18.05	101	80	230	23	C	2, 20
	3600	215TC	CL3711T	2,124	L1	19.75	167	82	230	40	C	2, 20
10	1800	213TC	CL3712T	2,149	L1	21.25	163	86.5	230	38	C	2, 20
	<b>C-Face, Footless</b>											
1/6	1800	56C	KL3400	311	K	11.35	18	49	115/230	1.9	C	3, 30
	1200	56C	KL3401	435	K	11.35	23	47	115/230	2.3	C	3, 30
1/4	1800	56C	KL3403	320	K	11.35	20	55	115/230	2.5	C	3, 30
	3600	56C	KL3405	295	K	11.35	21	55	115/208-230	3	C	3
1/3	1800	56C	VL3501	328	K	11.35	22	60	115/230	3	C	3, 30
	3600	56C	VL3503	331	K	11.35	21	66	115/230	3.5	C	3, 30
1/2	1800	56C	VL3504	383	K	11.35	27	68	115/230	3.7	C	3, 30
	1200	56C	VL3505	709	K	13.25	41	59	115/230	4	C	3, 30
3/4	3600	56C	VL3506	368	K	11.97	29	66	115/230	4.8	C	3, 30
		56C	VL3506A	407	K	11.97	28	66	115/230	4.8	C	3
	1800	56C	VL3507	439	K	12.47	34	72	115/230	4.2	C	30, 65
	1200	56C	VL3508	816	K	13.25	41	68	115/230	5	C	2, 30, 65
1	3600	56C	VL3509	424	K	12.25	36	68	115/230	5.9	C	3, 30
		56C	VL3509A	463	K	13.25	40	66	115/230	6	C	3
	1800	56C	VL3510	503	K	13.25	38	68	115/230	6.4	C	3, 30
1 1/2	3600	143TC	VL3510T	503	L1	13.29	39	68	115/230	6.4	C	3, 30
		56C	VL3513	552	K	13.25	40	70	115/230	8	C	3, 30
	1800	143TC	VL3513T	586	L1	13.31	41	70	115/230	8	C	3, 30
		56C	VL3514	570	K	14.12	47	75.5	115/230	8	C	30, 65
2	3600	145TC	VL3514T	576	L1	14.17	47	75.5	115/230	8	C	30, 65
		56C	VL3515	706	K	14.12	51	74	115/230	11.5	C	1, 3, 30
	1800	143TC	VL3515T	719	L1	14.19	50	74	115/230	11.5	C	1, 3, 30
		182TC	VL3605T	1,020	L1	16.55	66	75.5	115/230	11.5	C	3, 30
3	3600	184C	VL3605	1,154	L1	15.68	65	75.5	115/230	11.5	C	3, 30
	1800	182TC	VL3606T	1,138	L1	16.55	71	76	115/230	14.5	C	1, 3, 30
3	1800	184TC	VL3609T	1,204	L1	16.55	76	78	115/230	14	C	2, 20, 30, 65

<sup>(a)</sup> See notes on inside back flap.

**Single Phase,  
ODP, Foot Mounted**

**1/6 thru 10 Hp**

**NEMA 48 thru 215T**

**Applications:** Compressors, pumps, conveyors, machine tools, air handling, and others.

**Features:** Copper windings, dynamically balanced rotors, ball bearings, heavy-gauge steel frames, and other industrial quality features.



Hp	RPM	NEMA Frame	Catalog Number	List Price	Mult. Sym.	"C" Dim.	Aprx. Wt. (lb)	Full Load Efficiency	Voltage	Full Load Amps	EISA Status (a)	Notes (a)	
1/6	1800	48	L1200	246	K	9.13	18	49	115/230	1.9	C	30	
	1200	48	L1201	376	K	9.38	23	47	115/230	2.3	C	30	
1/4	1800	48	EL1203	321	K	9.76	23	74	115/230	1.3	C	1, 65	
		48	L1203	250	K	9.13	21	59.5	115/230	2.2	C	30	
		48	L1203M	287	K	9.13	20	55	115/230	2.5	C	30	
	1200	48	L1204	402	K	9.75	25	48	115/230	3.2	C	30	
		56	L1300	418	K	10.13	26	48	115/230	3.2	C	30	
		48	EL1205	293	K	9.76	26	72	115/208-230	1.6	C	65	
1/3	3600	48	L1205	236	K	9.13	20	55	115/208-230	3	C	30	
		48	L1206	287	K	9.13	21	60	115/230	3	C	30	
	1800	48	L1206M	323	K	9.13	22	60	115/230	3	C	30	
		56	EL1301	380	K	10.13	26	77	115/230	1.6	C	1, 65	
		56	L1301	290	K	9.51	22	60	115/230	3	C	30	
		56	L1301M	340	K	9.51	22	60	115/230	3	C	30	
	1200	48	L1207	429	K	10.63	28	54	115/230	3.7	C	30	
		56	L1302	429	K	11.01	29	54	115/230	3.7	C	30	
	1/2	3600	48	L1208	261	K	9.13	22	57	115/230	3.7	C	30
			56	EL1303	323	K	10.13	23	68	115/230	2.5	C	65
56			L1303	261	K	9.51	21	66	115/230	3.5	C	30	
1800		48	L1209	361	K	9.75	24	68	115/230	3.7	C	30	
		48	L1209M	401	K	9.38	24	62	115/230	4.2	C	30	
		56	EL1304	435	K	11.00	29	78.5	115/230	2.3	C	1, 65	
		56	L1304	321	K	10.13	24	68	115/230	3.7	C	30	
		56	L1304A	382	K	9.76	25	62	115/230	4.2	C	30	
		56	L1304M	401	K	9.76	25	62	115/230	4.2	C	30	
1200		56/56H	L1305	645	K	11.75	38	62	115/230	4.1	C	30, 36, 65	
3/4		3600	56	EL1306	394	K	11.00	29	72	115/230	3.9	C	65
			56	L1306	319	K	12.85	26	72	115/230	4.7	C	30
	56		L1306A	335	K	11.75	29	69	115/230	5.5	C		
	1800	56	EL1307	536	K	12.06	38	84	115/230	3.3	C	1, 65	
		56	L1307	396	K	11.51	32	68	115/230	5.1	C	30	
		56	L1307A	465	K	11.51	32	68	115/230	5.1	C	30	
		56	L1307M	477	K	11.51	32	68	115/230	5.1	C	30	
1200	56/56H	L1308	726	K	11.75	42	68	115/230	5	C	30, 36, 65		
1	3600	56	EL1309	414	K	11.00	32	74	115/208-230	5.1	C	65	
		56	L1309	334	K	11.01	31	65	115/230	7.5	C	30	
		56	L1309A	356	K	11.01	30	70	115/230	6.6	C		
	1800	56/56H	L1318	474	K	11.75	39	67	115/230	6.2	C	30, 36	
		56/56H	L1318M	516	K	11.75	39	67	115/230	6.2	C	2, 36	
		56	EL1310	584	K	12.94	42	84	115/230	4.3	C	1, 65	
		56	L1310	433	K	11.07	34	66	115/230	6.7	C	30	
		56H	L1310M	554	K	11.75	36	66	115/230	6.7	C	30, 36	
		143T	L1318T	494	L1	13.00	42	67	115/230	6.2	C	30	
		143T	L1318TM	516	L1	12.12	42	67	115/230	6.2	C	2	
182	L1401	704	L1	12.75	50	70	115/230	7	C	30			
182	L1401M	764	L1	12.75	48	70	115/230	7	C				
1200	184	L1407	1,235	L1	14.13	63	65	115/230	8	C	30		

(a) See notes on inside back flap.

General Information

Premium Efficient Super-E® Motors

Single Phase Motors

General Purpose Industrial Motors

Severe Duty Motors

Washdown Duty Motors

Explosion Proof Motors

Pump Motors

Light Industrial/Commercial Motors

HVAC Motors

**BALDOR • RELIANCE**  
**Single Phase, ODP, Foot Mounted**

Hp	RPM	NEMA Frame	Catalog Number	List Price	Mult. Sym.	"C" Dim.	Aprx. Wt. (lb)	Full Load Efficiency	Voltage	Full Load Amps	EISA Status (a)	Notes (a)	
1 1/2	3600	56/56H	L1313A	490	K	11.75	40	68	115/230	9	C	30, 36	
		56H	EL1313	580	K	12.25	37	80	115/208-230	6.2	C	65	
		56H	L1313	469	K	11.75	34	77	115/230	6.4	C	30, 36, 65	
		143T	L1313T	469	L1	11.12	37	70	115/230	8.9	C	30	
	1800	56/56H	L1319	559	K	11.75	41	68	115/230	9	C	30, 36	
		56/56H	L1319M	623	K	11.75	42	68	115/230	9	C	36	
		56H	EL1319	765	K	14.00	51	85.5	115/230	6.3	C	1, 36, 65	
		143T	EL1319T	793	L1	13.00	49	85.5	115/230	6.3	C	1, 65	
		145T	L1319T	528	L1	12.12	42	68	115/230	9	C	30	
		145T	L1321T	634	L1	13.00	45	70	115/230	10.5	C	30	
		145T	L1321TM	687	L1	13.00	45	70	115/230	10.5	C		
		184	L1403	786	L1	12.75	56	68	115/230	9.5	C	30	
		184NA	L1403M	833	L1	12.75	56	68	115/230	9.5	C		
		2	3600	56/56H	L1317	623	K	11.75	43	70	115/230	13	C
56/56H	L1317A			641	K	11.75	44	70	115/230	12	C	30, 36	
56H	EL1317			771	K	11.75	46	75.5	115/230	9	C		
145T	L1320T			668	L1	12.12	46	71	115/230	11.5	C	30, 65	
1800	145T		L1322T	646	L1	13.00	48	75.5	115/208-230	10.2	C	65	
	145T		L1322TM	703	L1	13.00	45	78.5	115/230	9.2	C	65	
	182T		EL1405T	894	L1	15.87	65	82.5	115/230	8.8	C	1, 65	
	182T		L1405T	663	L1	15.00	65	71	115/230	12	C	30	
	184		L1405	825	L1	14.13	64	71	115/230	12	C	30	
	213NA		L1502	1,417	L1	14.32	82	69	115/230	12.5	C	30	
	1200		215	L1503	1,929	L1	15.94	104	68	115/230	14	C	30
	3		3600	182T	EL1406T	941	L1	15.00	74	81	115/230	12.3	C
182T		L1406T		760	L1	15.00	65	78	115/230	14	C	30	
1800		184T	EL1408T	936	L1	16.50	78	85.5	208-230	11.2	C	1, 65	
		184T	L1408T	717	L1	15.00	73	78	115/230	16	C	30, 65	
		184T	L1408TM	844	L1	15.00	78	78	115/230	16	C		
		215	L1505	1,570	L1	15.94	102	75	115/230	18	C	30	
		1200	215NA	L1506	2,254	L1	15.94	111	75	115/230	16	C	30, 65
5	3600	184T	EL1409T	1,118	L1	15.00	77	81.5	230	0	C	65	
		184T	L1409T	904	L1	15.00	76	75	230	23	C	30	
	1800	184T	EL1410T	1,069	L1	18.00	95	86.5	230	19.1	C	1, 65	
		184T	L1410T	850	LS	16.50	86	82.5	230	23	C	1, 30, 65	
		184T	L1410TM	1,027	L1	16.50	84	82.5	230	23	C	1, 30	
		184T	L1430T	778	L1	16.55	79	84	230	20.6	C	1, 30, 65	
		184T	L1430TM	1,027	L1	16.55	84	80	230	24	C	1, 30, 65	
		213T	L1508T	1,120	L1	16.32	113	77	230	27	C		
7 1/2	3600	213T	L1509T	1,397	L1	18.37	101	82.5	230	30	C	1, 30, 65	
	1800	215T	L1510T	1,216	L1	17.45	134	85.5	230	31	C	30, 65	
10	3600	215T	L1511T	1,762	L1	17.45	130	83	230	46	C	1, 30	
	1800	215T	L1512T	1,775	L1	17.45	140	85.5	230	39	C	2, 65	

(a) See notes on inside back flap.

General Information

Premium Efficient Super-E® Motors

Single Phase Motors

General Purpose Industrial Motors

Severe Duty Motors

Washdown Duty Motors

Explosion Proof Motors

Pump Motors

Light Industrial/Commercial Motors

HVAC Motors

**Single Phase,  
ODP, C-Face**

**1/6 thru 5 Hp**

**NEMA 56C thru 184TC**

**Applications:** Pumps, fans, conveyors, machine tools, gear reducers and other applications requiring a NEMA C-face motor.



**Features:** Pressure cast aluminum end plates with ribbed design for rigidity. Ball bearings with a locked drive end bearing, heavy-gauge steel frame.

Hp	RPM	NEMA Frame	Catalog Number	List Price	Mult. Sym.	"C" Dim.	Aprx. Wt. (lb)	Full Load Efficiency	Voltage	Full Load Amps	EISA Status (a)	Notes (a)
<b>C-Face, Foot Mounted, No Drip Cover</b>												
1/3	1800	56C	<b>CL1301</b>	325	K	10.10	23	60	115/230	3	C	30
1/2	3600	56C	<b>CL1303</b>	288	K	10.06	22	66	115/230	3.5	C	30
	1800	56C	<b>CL1304</b>	370	K	10.35	25	62	115/230	4.2	C	30
3/4	1800	56C	<b>CL1307</b>	424	K	12.06	34	68	115/230	5.1	C	30
1	1800	56C	<b>CL1310</b>	487	K	11.06	35	66	115/230	6.7	C	30
3	1800	184TC	<b>CL1408TM</b>	892	L1	15.00	78	78	115/230	16	C	
5	1800	184TC	<b>CL1410TM</b>	1,075	L1	16.50	88	82.5	230	23	C	1, 30
<b>C-Face, Foot Mounted, Drip Cover</b>												
5	1800	184TC	<b>CL1430TM</b>	1,075	L1	16.55	84	80	230	24	C	1, 30, 65
<b>C-Face, Footless, Drip Cover</b>												
1/6	1800	56C	<b>KL1200</b>	263	K	11.22	18	49	115/230	1.9	C	30
1/4	1800	56C	<b>KL1203</b>	268	K	11.22	20	55	115/230	2.5	C	30
1/3	3600	56C	<b>KL1205</b>	255	K	11.22	21	55	115/208-230	3	C	30
		56C	<b>KL1205A</b>	261	K	11.35	21	55	115/230	3	C	30
1/2	1800	56C	<b>VL1301</b>	308	K	11.22	22	60	115/230	3	C	30
	3600	56C	<b>VL1303</b>	280	K	11.22	21	66	115/230	3.5	C	30
	1800	56C	<b>VL1304</b>	339	K	11.47	24	62	115/230	4.2	C	30
3/4	1200	56C	<b>VL1305</b>	663	K	13.24	36	62	115/230	4.1	C	30
	3600	56C	<b>VL1306</b>	335	K	12.85	27	72	115/230	4.7	C	30
	1800	56C	<b>VL1307</b>	414	K	13.22	33	68	115/230	5.1	C	30
1	1200	56C	<b>VL1308</b>	743	K	13.24	43	68	115/230	5	C	30
	3600	56C	<b>VL1309</b>	352	K	12.72	32	65	115/230	7.5	C	30
	1800	56C	<b>VL1310</b>	451	K	12.24	34	66	115/230	6.7	C	30
1 1/2	3600	56C	<b>VL1318</b>	490	K	13.24	42	67	115/230	6.2	C	30
		56C	<b>VL1319</b>	487	K	12.73	32	77	115/230	6.4	C	30
	1800	56C	<b>VL1319</b>	576	K	13.24	42	68	115/230	9	C	30
2	145TC		<b>VL1321T</b>	652	L1	14.17	49	70	115/230	10.5	C	30
	3600	56C	<b>VL1317</b>	641	K	13.24	43	70	115/230	13	C	30
	1800	145TC	<b>VL1322T</b>	664	L1	14.18	47	75.5	115/230	10.2	C	65
3	3600	182TC	<b>VL1406T</b>	807	L1	15.18	59	75.5	115/230	13.6	C	30, 65
	1800	184TC	<b>VL1408T</b>	817	L1	16.55	76	78	115/230	16	C	30, 65

(a) See notes on inside back flap.

General Information

Premium Efficient Super-E® Motors

Single Phase Motors

General Purpose Industrial Motors

Severe Duty Motors

Washdown Duty Motors

Explosion Proof Motors

Pump Motors

Light Industrial/Commercial Motors

HVAC Motors



Three Phase,  
Totally Enclosed,  
Foot Mounted

1/8 thru 400 Hp

NEMA 42 thru 449T

**Applications:** Pumps, compressors, fans, conveyors, machine tools and other general purpose three phase applications.



**Features:** Suitable for mounting in any position. Ball bearings, heavy-gauge steel and cast-iron frames, and gasketed conduit boxes. Class F insulation, 1.15 service factor, low-loss electrical grade lamination steel. EM Super-E® motors have NEMA Premium® efficiency and 3 year warranty. Motors with TR suffix have roller bearings for heavy belted loads.

Hp	RPM	NEMA Frame	Encl.	Catalog Number	List Price	Mult. Sym.	"C" Dim.	Aprx. Wt. (lb)	Full Load Efficiency	Voltage	Full Load Amps	EISA Status (a)	Notes (a)	
1/8	1800	42	TEFC	M3353	331	K	9.56	16	44	230/460	0.5	C	30	
	1800	42	TEFC	M3355	375	K	9.56	17	62	230/460	0.6	C	30	
1/6	1200	48	TEFC	M3452	387	K	10.73	17	57.5	230/460	0.6	C	30	
	1800	48	TEFC	M3454	274	K	10.73	18	64	230/460	0.7	C	30	
48		TENV	NM3454	287	K	9.62	21	68	230/460	0.5	C	1, 30		
56		TENV	NM3454/35	462	K	11.06	30	80	230/460	0.4	C	1, 30, 48		
1/4	1200	48	TEFC	M3455	431	K	10.73	19	68	230/460	0.7	C	30	
		48	TENV	NM3455	396	K	9.62	19	68	230/460	0.7	C	2, 30	
		56	TEFC	M3531	426	K	11.35	20	68	230/460	0.7	C	30	
	900	56	TEFC	M3532	621	K	12.23	30	55	230/460	0.9	C	30	
	1/3	3600	48	TENV	M3457	278	K	9.62	20	72	230/460	0.7	C	30
		1800	48	TEFC	M3458	334	K	10.73	20	68	230/460	0.8	C	30
56			TEFC	M3534	300	LS	11.35	21	68	230/460	0.8	C	30	
56			TENV	NM3534	321	K	10.25	23	70	230/460	0.7	C	1, 30	
1200		56	TEFC	M3535	479	K	11.35	22	70	230/460	0.9	C	30	
900		56	TEFC	M3536	677	K	12.23	33	62	230/460	1.1	C	30	
1/2	3600	48	TEFC	M3460	322	K	10.73	19	68	230/460	1	C	30	
		56	TEFC	M3537	322	K	11.35	19	68	230/460	1	C	30	
	1800	48	TEFC	M3461	391	K	10.73	22	74	230/460	1	C	30	
		56	TEFC	EM3538	583	LS	12.23	32	82.5	230/460	0.8	C	1, 30	
		56	TEFC	M3538	343	LS	11.35	22	74	230/460	1	C	30	
		56	TEFC	M3538/35	441	K	12.23	27	74	230/460	1.2	C	1, 30, 48	
		56	TENV	NM3538	373	K	10.88	26	75.5	230/460	0.9	C	1, 30	
		56	TENV	NM3538/35	450	K	11.06	30	75.5	230/460	0.8	C	1, 30, 48	
	1200	56	TEFC	M3539	516	K	11.35	24	72	230/460	1.2	C	30	
		56	TENV	NM3539	567	K	12.06	39	78.5	230/460	1.1	C	30	
	900	56/56H	TEFC	M3560	760	K	12.93	38	66	208-230/460	1.3	C	38	
		182	TEFC	M3600	954	L1	13.76	41	66	208-230/460	1.3	C		
3/4	3600	48	TEFC	M3463	355	K	10.73	21	74	230/460	1.3	C	30	
		56	TEFC	M3541	355	K	11.35	21	74	230/460	1.3	C	30	
	1800	48	TEFC	M3464	423	K	10.73	25	75.5	208-230/460	1.5	C		
		56	TEFC	M3542	367	LS	11.35	26	75.5	208-230/460	1.5	C		
		56	TENV	NM3542	401	K	11.06	31	78.5	230/460	1.4	C	1, 30	
	1200	56H	TEFC	M3543	527	K	12.84	34	77	208-230/460	1.5	C		
		143T	TEFC	M3543T	527	L1	13.41	34	77	208-230/460	1.5	C		
		182	TEFC	M3601	755	L1	13.76	41	72	208-230/460	1.5	C		
		900	184	TEFC	M3602	954	L1	14.64	53	65	208-230/460	2	C	1

(a) See notes on inside back flap.

General Information

Premium Efficient Super-E® Motors

Single Phase Motors

General Purpose Industrial Motors

Severe Duty Motors

Washdown Duty Motors

Explosion Proof Motors

Pump Motors

Light Industrial/Commercial Motors

HVAC Motors

Three Phase, Totally Enclosed, Foot Mounted

Hp	RPM	NEMA Frame	Encl.	Catalog Number	List Price	Mult. Sym.	"C" Dim.	Aprx. Wt. (lb)	Full Load Efficiency	Voltage	Full Load Amps	EISA Status (a)	Notes (a)
1	3600	56	TEFC	EM3545	565	K	12.25	33	84	230/460	1.4	C	1, 30
		56	TEFC	M3545	416	K	11.35	22	75.5	230/460	1.8	C	30
	1800	56	TEFC	EM3546	652	LS	13.23	39	85.5	208-230/460	1.5	C	1
		56	TEFC	M3546	382	LS	12.00	26	78.5	208-230/460	1.7	C	
		56	TEFC	M3546/35	461	K	12.23	31	82.5	208-230/460	1.6	C	1, 48
		56	TENV	NM3546	438	K	12.06	39	85.5	208-230/460	1.4	C	1, 48
		143T	TEFC	EM3546T	623	LS	13.31	37	85.5	230/460	1.5	A	1, 30
		143T	TEFC	EM3581T	805	L1	12.53	54	85.5	230/460	1.5	A	1, 30
		143T	TEFC	M3546T	424	LS	12.31	33	82.5	208-230/460	1.6	D	1
		143T	TEFC	M3581T	593	L1	12.53	51	82.5	208-230/460	1.6	D	1
		143T	TENV	NM3546T	461	L1	11.13	33	82.5	208-230/460	1.5	C	1
		182	TEFC	M3603	685	L1	13.76	35	82.5	208-230/460	1.8	B	
	1200	56/56H	TEFC	M3556	536	K	12.93	35	75.5	208-230/460	1.7	C	36
		56	TEFC	EM3556	741	K	15.48	57	82.5	230/460	1.7	C	1, 30
		145T	TEFC	EM3556T	746	L1	15.56	39	82.5	230/460	1.7	A	1, 30
		145T	TEFC	EM3582T	902	L1	12.55	64	82.5	230/460	1.7	A	1, 30
		145T	TEFC	M3556T	579	L1	13.31	39	80	208-230/460	1.8	D	
		145T	TEFC	M3582T	784	L1	12.55	54	80	208-230/460	1.9	D	1
	900	184	TEFC	M3604	873	L1	13.76	41	80	208-230/460	1.8	B	
		182T	TEFC	M3617T	1,067	L1	15.17	60	74	230/460	2.2	B	30
1 1/2	3600	56	TEFC	EM3550	598	K	13.25	41	84	208-230/460	2	C	1
		56	TEFC	M3550	454	K	11.97	30	80	208-230/460	2.3	C	
		143T	TEFC	EM3550T	640	L1	13.31	41	84	208-230/460	2	A	1
		143T	TEFC	EM3583T	851	L1	12.55	57	84	208-230/460	2	A	1
		143T	TEFC	M3550T	481	L1	12.31	37	82.5	208-230/460	2.1	D	
		143T	TEFC	M3583T	751	L1	12.55	51	82.5	208-230/460	2.1	D	1
	1800	182	TEFC	M3605	777	L1	13.76	36	82.5	208-230/460	2.3	B	
		56	TEFC	EM3554	724	LS	14.10	48	86.5	208-230/460	2.1	C	1
		56	TEFC	M3554	432	LS	12.23	34	81.5	208-230/460	2.3	C	
		145T	TEFC	EM3554T	648	LS	14.19	48	86.5	230/460	2.1	A	1, 30
		145T	TEFC	EM3584T	835	L1	12.53	60	86.5	230/460	2.1	A	1, 30
		145T	TEFC	M3554T	435	LS	13.31	37	84	208-230/460	2.4	D	
		145T	TEFC	M3584T	606	L1	12.53	53	84	208-230/460	2.4	D	1
		145T	TENV	NM3554T	481	L1	12.12	41	85.5	208-230/460	2.3	C	1, 48
	1200	184	TEFC	M3606	698	L1	13.76	39	84	208-230/460	2.5	B	
		56/56H	TEFC	M3557	615	K	12.93	41	75.5	230/460	2.5	C	2, 20, 38
		182T	TEFC	EM3607T	872	L1	19.77	138	87.5	230/460	7.2	A	1, 30
		182T	TEFC	EM3667T	1,073	L1	15.24	100	87.5	208-230/460	2.6	A	1
		182T	TEFC	M3607T	668	L1	16.54	67	85.5	208-230/460	2.8	D	
		182T	TEFC	M3667T	858	L1	15.24	87	85.5	208-230/460	2.6	D	
900	184	TEFC	M3607	933	L1	15.69	43	85.5	208-230/460	2.8	B		
	184T	TEFC	M3618T	1,264	L1	18.04	88	77	230/460	2.8	B	2, 20	
	213	TEFC	M3701	1,473	L1	15.89	84	77	208-230/460	3.4	B		

(a) See notes on inside back flap.

■ Cast Iron Frame

General Information

Premium Efficient Super-E® Motors

Single Phase Motors

General Purpose Industrial Motors

Severe Duty Motors

Washdown Duty Motors

Explosion Proof Motors

Pump Motors

Light Industrial/Commercial Motors

HVAC Motors

Three Phase, Totally Enclosed, Foot Mounted

Hp	RPM	NEMA Frame	Encl.	Catalog Number	List Price	Mult. Sym.	"C" Dim.	Aprx. Wt. (lb)	Full Load Efficiency	Voltage	Full Load Amps	EISA Status (a)	Notes (a)	
2	3600	56	TEFC	EM3555	658	K	14.12	48	85.5	208-230/460	2.5	C	1	
		56H	TEFC	M3555	510	K	12.84	33	80	208-230/460	2.9	C		
		145T	TEFC	EM3555T	701	L1	14.19	49	85.5	208-230/460	2.5	A	1	
		145T	TEFC	EM3586T	894	L1	12.55	64	85.5	208-230/460	2.5	A	1	
		145T	TEFC	M3555T	554	L1	13.31	43	84	208-230/460	2.6	D		
		145T	TEFC	M3586T	778	L1	12.55	58	84	208-230/460	2.6	D	1, 48	
	184	TEFC	M3608	895	L1	13.76	43	84	208-230/460	2.7	B			
	56/56H	TEFC	M3558	466	LS	12.93	41	82.5	208-230/460	3.1	C	38		
	56	TEFC	EM3558	766	LS	14.10	49	86.5	208-230/460	2.8	C	1		
	145T	TEFC	EM3558T	672	LS	14.19	49	86.5	208-230/460	2.7	A	1		
	145T	TEFC	EM3587T	875	L1	12.55	65	86.5	208-230/460	2.8	A	1		
	145T	TEFC	M3558T	457	LS	13.31	40	84	208-230/460	3.1	D			
	145T	TEFC	M3587T	656	L1	12.53	59	84	208-230/460	3.1	D	1, 48		
	184	TEFC	M3609	736	L1	13.76	46	84	208-230/460	3.1	B			
	184T	TEFC	EM3614T	914	L1	18.05	79	88.5	208-230/460	3.3	A			
	184T	TEFC	EM3664T	1,090	L1	15.24	109	88.5	208-230/460	3.5	A	1		
	184T	TEFC	M3614T	719	L1	16.54	74	86.5	208-230/460	3.5	D			
	184T	TEFC	M3664T	918	L1	15.24	97	86.5	208-230/460	3.5	D	1, 48		
	213	TEFC	M3712	1,055	L1	18.18	72	82.5	208-230/460	3.3	B			
	213T	TEFC	M3702T	1,601	L1	17.89	100	82.5	208-230/460	3.5	B			
	215	TEFC	M3702	1,644	L1	17.51	96	82.5	208-230/460	3.5	B			
	3	3600	56/56H	TEFC	M3559	593	K	12.93	44	82.5	208-230/460	3.8	C	1, 38
			145T	TEFC	EM3559T	786	L1	15.56	58	86.5	208-230/460	3.7	A	
			145T	TEFC	M3559T	635	L1	14.19	53	85.5	208-230/460	3.7	D	
182T			TEFC	EM3610T	777	L1	16.55	66	86.5	230/460	3.5	A	1, 30	
182T			TEFC	EM3660T	966	L1	15.24	85	86.5	230/460	3.5	A	1, 30	
182T			TEFC	M3610T	676	L1	15.14	57	85.5	208-230/460	3.7	D	1	
182T		TEFC	M3660T	860	L1	15.24	80	85.5	208-230/460	3.7	D	1, 48		
184		TEFC	M3610	737	L1	13.76	48	85.5	208-230/460	3.8	B	1		
182T		TEFC	EM3611T	742	LS	18.05	69	89.5	230/460	4.2	A	1		
182T		TEFC	EM3661T	993	L1	15.24	92	89.5	230/460	4	A	1, 30		
182		TEFC	M3611	767	L1	14.64	58	87.5	208-230/460	4.1	B	1		
182T		TEFC	M3611T	537	LS	16.52	63	87.5	208-230/460	4.2	D	1		
182T		TEFC	M3611T/36	561	L1	16.54	68	87.5	208-230/460	4.1	D	1, 48		
182T		TEFC	M3661T	860	LS	15.24	93	87.5	208-230/460	4.1	D	1, 48		
213		TEFC	M3703	902	L1	18.18	65	87.5	208-230/460	4.3	B	1		
213T		TEFC	EM3704T	1,189	L1	19.02	132	89.5	230/460	4.5	A	1, 30		
213T		TEFC	EM3764T	1,358	L1	18.45	175	89.5	230/460	4.5	A	1, 30		
213T		TEFC	M3704T	905	L1	17.89	110	87.5	208-230/460	4.6	D	1		
213T		TEFC	M3764T	1,203	L1	18.45	158	87.5	208-230/460	4.6	D	1		
215		TEFC	M3704	1,110	L1	17.51	96	84	208-230/460	4.8	B	1		
215T		TEFC	M3705T	1,750	L1	19.01	139	84	208-230/460	5.6	B	2, 20		
5		3600	184T	TEFC	EM3613T	862	L1	16.55	77	88.5	230/460	5.6	A	1, 30
			184T	TEFC	EM3663T	1,189	L1	15.24	99	88.5	230/460	5.7	A	1, 30, 48
			184T	TEFC	M3613T	777	L1	16.54	69	87.5	208-230/460	5.8	D	1
	184T		TEFC	M3663T	1,062	L1	15.24	90	87.5	208-230/460	5.9	D	1, 48	
	213		TEFC	M3706	1,255	L1	18.18	74	87.5	208-230/460	6	B	1	
	184T		TEFC	EM3615T	812	LS	18.05	95	89.5	230/460	6.5	A	1, 30	
	184T	TEFC	EM3665T	1,016	L1	15.24	114	89.5	230/460	6.5	A	1, 30		
	184T	TEFC	M3615T	618	LS	18.05	79	87.5	208-230/460	6.8	D			
	184T	TEFC	M3665T	877	L1	15.24	105	87.5	208-230/460	6.9	D	1, 48		
	215	TEFC	M3707	1,137	L1	18.18	80	87.5	208-230/460	6.6	B	1		
	215T	TEFC	EM3708T	1,343	L1	19.77	138	89.5	230/460	7.2	A	1, 30		
	215T	TEFC	EM3768T	1,576	L1	18.45	193	89.5	230/460	7.3	A	1, 30		
	215T	TEFC	M3708T	1,097	L1	17.89	123	87.5	208-230/460	8.1	D	1		
	215T	TEFC	M3768T	1,330	L1	18.45	178	87.5	208-230/460	7.5	D	1		
	254U	TEFC	M2275	2,315	L1	20.82	203	87.5	208-230/460	7.5	B			
	254T	TEFC	M2280T	2,785	L1	22.83	229	85.5	208-230/460	8.3	B	1		

(a) See notes on inside back flap.

■ Cast Iron Frame

Three Phase, Totally Enclosed, Foot Mounted

Hp	RPM	NEMA Frame	Encl.	Catalog Number	List Price	Mult. Sym.	"C" Dim.	Aprx. Wt. (lb)	Full Load Efficiency	Voltage	Full Load Amps	EISA Status (a)	Notes (a)	
7 1/2	3600	184T	TEFC	EM3616T	1,137	L1	18.05	96	89.5	208-230/460	8.4	A	1	
		184T	TEFC	M3616T	944	L1	18.04	89	88.5	208-230/460	8.7	D	1	
		213T	TEFC	EM3709T	1,291	L1	17.89	126	89.5	230/460	8.9	A	1, 30	
		213T	TEFC	EM3769T	1,376	L1	18.45	165	89.5	230/460	8.6	A	1, 30, 48	
		213T	TEFC	M3709T	1,145	L1	18.56	94	88.5	208-230/460	8.7	D	1	
		213T	TEFC	M3769T	1,209	L1	18.45	166	88.5	208-230/460	9	D	1	
	215	TEFC	M3709	1,266	L1	18.18	87	88.5	208-230/460	8.6	B			
	1800	213T	TEFC	EM3710T	1,171	LS	19.02	125	91.7	230/460	9.4	A	1, 30	
		213T	TEFC	EM3770T	1,326	L1	18.45	170	91.7	230/460	9.5	A	1, 30	
		213T	TEFC	M3710T	788	LS	17.89	116	89.5	208-230/460	10.1	D	1	
		213T	TEFC	M3770T	1,170	L1	18.45	164	89.5	208-230/460	10.3	D	1, 48	
	1200	254U	TEFC	M2237	1,971	L1	22.91	242	89.5	208-230/460	9.7	B	1	
		254T	TEFC	EM2276T	2,247	L1	23.16	298	91	230/460	10.7	A	2, 30	
		254T	TEFC	M2276T	1,624	L1	22.83	247	89.5	208-230/460	10.9	D		
	900	256U	TEFC	M2276	2,783	L1	22.57	231	89.5	208-230/460	10.9	B	1	
		256T	TEFC	M2401T	3,071	L1	23.28	256	85.5	208-230/460	14	B	1	
	10	3600	215T	TEFC	EM3711T	1,309	L1	19.02	154	90.2	230/460	11.2	A	1, 30
			215T	TEFC	EM3771T	1,613	L1	18.45	185	90.2	230/460	11.2	A	1, 30
215T			TEFC	M3711T	1,198	L1	17.89	126	89.5	208-230/460	11.5	D	1	
215T			TEFC	M3771T	1,452	L1	18.45	171	89.5	230/460	11.5	D	1, 30, 48	
254U			TEFC	M2393	2,212	L1	20.82	198	89.5	208-230/460	11.5	B	1	
1800		215T	TEFC	EM3714T	1,322	LS	20.52	158	91.7	230/460	12.5	A	1, 30	
		215T	TEFC	EM3774T	1,487	L1	18.45	231	91.7	230/460	12.5	A	1, 30	
		215T	TEFC	M3714T	960	LS	19.01	129	89.5	208-230/460	13.5	D	1	
		215T	TEFC	M3774T	1,259	L1	18.45	170	89.5	208-230/460	13	D	1, 48	
1200		256U	TEFC	M2238	2,471	L1	22.91	270	89.5	208-230/460	12.3	B	1	
		256T	TEFC	EM2332T	2,565	L1	23.16	282	91	230/460	14.2	A	1, 30	
		256T	TEFC	M2332T	1,807	L1	23.28	269	89.5	230/460	14.4	D	1, 30	
900		284U	TEFC	M2332	3,556	L1	26.34	320	89.5	230/460	14.4	B	1, 30	
		284T	TEFC	M2402T	3,566	L1	27.76	343	88.5	230/460	13.9	B	1, 30	
15		3600	215T	TEFC	EM3713T	1,847	L1	20.52	175	91	230/460	17	A	1, 30
			215T	TEFC	M3713T	1,520	L1	20.52	168	90.2	208-230/460	17	D	1
			254T	TEFC	EM2394T	2,222	L1	23.16	270	91	230/460	17.2	A	1, 30
			254T	TEFC	M2394T	1,895	L1	21.07	237	90.2	208-230/460	17	D	1
	1800	256U	TEFC	M2394	2,294	L1	22.57	220	90.2	208-230/460	17	B	1	
		254T	TEFC	EM2333T	2,037	LS	23.16	255	92.4	230/460	18.5	A	1, 30	
		254T	TEFC	M2333T	1,684	LS	21.07	196	91	208-230/460	18.5	D	1	
	1200	284U	TEFC	M2333	3,402	L1	26.34	332	91	230/460	18.1	B	1, 30	
		284T	TEFC	EM4100T	3,421	L1	27.76	421	91.7	230/460	19.7	A	1, 30	
	900	284T	TEFC	M4100T	2,881	L1	27.76	361	90.2	230/460	21	D	1, 30	
		286T	TEFC	M2395T	4,959	L1	27.76	357	88.5	230/460	21.1	B	1, 30	
	20	3600	256T	TEFC	EM4106T	2,439	L1	23.16	258	91	230/460	23	A	1, 30
256T			TEFC	M4106T	2,081	L1	22.83	248	90.2	208-230/460	23	D	1	
286U			TEFC	M4106	3,314	L1	26.34	370	90.2	230/460	23	B	1, 30	
1800		256T	TEFC	EM2334T-12	2,526	L1	23.16	291	93	230/460	24	A	1, 30	
		256T	TEFC	EM2334T	2,470	LS	23.16	291	93	230/460	24	A	1, 30	
		256T	TEFC	M2334T	2,034	LS	23.28	259	91	230/460	24	D	1, 30	
		256T	TEFC	M2334T-12	2,091	L1	23.28	280	91	230/460	24	D	1, 25, 30	
		286U	TEFC	M2334	4,072	L1	26.88	377	91	230/460	24	B	1, 30	
1200		286T	TEFC	EM4102T	4,555	L1	27.76	455	91.7	208-230/460	26	A	1	
		286T	TEFC	M4102T	3,480	L1	27.76	372	90.2	208-230/460	27	D	1	
900		324T	TEFC	M4112T	5,639	L1	30.28	569	89.5	208-230/460	29	B	1	

(a) See notes on inside back flap.

Cast Iron Frame

General Information

Premium Efficient Super-E® Motors

Single Phase Motors

General Purpose Industrial Motors

Severe Duty Motors

Washdown Duty Motors

Explosion Proof Motors

Pump Motors

Light Industrial/Commercial Motors

HVAC Motors

Three Phase, Totally Enclosed, Foot Mounted

Hp	RPM	NEMA Frame	Encl.	Catalog Number	List Price	Mult. Sym.	"C" Dim.	Aprx. Wt. (lb)	Full Load Efficiency	Voltage	Full Load Amps	EISA Status (a)	Notes (a)	
25	3600	256T	TEFC	EM4118T	2,844	L1	23.16	299	91.7	230/460	28	A		
		256T	TEFC	M4118T	2,358	L1	23.28	277	91	230/460	28	D	1, 30	
		284TS	TEFC	EM4107T	3,182	L1	25.24	383	91.7	230/460	28	A	1, 30	
		284TS	TEFC	M4107T	2,647	L1	25.24	361	91	208-230/460	29	D	1	
		324U	TEFC	M4107	5,167	L1	30.76	495	91	230/460	29	B	1, 30	
	1800	284T	TEFC	EM4103T	3,231	LS	27.76	398	93.6	230/460	30	A	1, 30	
		284T	TEFC	EM4103T-12	3,299	L1	27.76	398	93.6	230/460	30	A	1, 25, 30	
		284T	TEFC	M4103T	2,515	LS	26.08	337	92.4	208-230/460	30	D	1	
		284T	TEFC	M4103T-12	2,585	L1	26.08	432	92.4	230/460	29	D	1, 25, 30	
		324U	TEFC	M4103	5,059	L1	30.76	375	92.4	230/460	30	B	1, 30	
	1200	324T	TEFC	EM4111T	5,154	L1	30.39	522	93	230/460	32	A	1, 30	
		324T	TEFC	M4111T	4,199	L1	30.39	451	91.7	208-230/460	33	D	1	
900	326T	TEFC	M4116T	6,965	L1	30.28	532	89.5	230/460	36	B	1, 30		
30	3600	286TS	TEFC	EM4108T	3,781	L1	25.24	382	91.7	230/460	33	A	1, 30	
		286TS	TEFC	M4108T	2,871	L1	25.24	382	91	208-230/460	34	D	1	
	1800	286T	TEFC	EM4104T	3,833	LS	27.76	433	93.6	230/460	36	A	1, 30	
		286T	TEFC	EM4104T-12	3,841	L1	27.76	433	93.6	230/460	38	A	1, 25	
		286T	TEFC	M4104T	2,972	LS	26.08	357	92.4	208-230/460	36	D	1	
		286T	TEFC	M4104T-12	2,982	L1	26.08	422	92.4	230/460	36	D	1, 25, 30	
		326U	TEFC	M4104	6,001	L1	30.76	522	92.4	230/460	37	B	1, 30	
	1200	326T	TEFC	EM4117T	5,954	L1	30.28	606	93	230/460	39	A	1, 30	
		326T	TEFC	M4117T	5,094	L1	30.39	579	91.7	208-230/460	39	D	1	
	900	364T	TEFC	M4338T	7,745	L1	32.84	699	92.4	230/460	40.5	B	1, 30	
	40	3600	324TS	TEFC	EM4109T	5,182	L1	28.78	502	92.4	230/460	45	A	1, 30
			324TS	TEFC	M4109T	4,104	L1	28.89	486	91.7	230/460	45	D	1, 30
1800		324T	TEFC	EM4110T	5,012	LS	30.28	602	94.1	230/460	46	A	1, 30	
		324T	TEFC	EM4110T-12	5,121	L1	30.28	602	94.1	230/460	46	A	1, 25, 30	
		324T	TEFC	M4110T	3,941	LS	30.39	498	93	208-230/460	47	D	1	
		324T	TEFC	M4110T-12	4,053	L1	30.39	455	93	230/460	47	D	1, 25	
		365U	TEFC	M4307	6,312	L1	33.34	662	93	230/460	49	B	1	
1200		364T	TEFC	EM4308T	7,419	L1	32.84	834	94.1	230/460	50.5	A	1, 30	
		364T	TEFC	M4308T	5,644	L1	32.84	807	93	230/460	49	D	1, 30	
900		365T	TEFC	M4348T	9,607	L1	32.84	756	91	208-230/460	58	B	1, 30, 35	
50		3600	326TS	TEFC	EM4114T	5,669	L1	28.90	578	93	208-230/460	56	A	1, 30
			326TS	TEFC	M4114T	4,172	L1	28.89	470	92.4	230/460	56	D	1, 30
	1800	326T	TEFC	EM4115T	5,477	LS	30.28	676	94.5	230/460	58	A	1, 30	
		326T	TEFC	EM4115T-12	5,588	L1	30.28	676	94.5	230/460	58	A	1, 25	
		326TS	TEFC	EM4115TS	5,538	L1	28.75	676	94.5	230/460	58	A	1	
		326T	TEFC	M4115T	4,081	LS	30.39	539	93	208-230/460	59	D	1	
		326T	TEFC	M4115T-12	4,195	L1	30.39	579	93	230/460	60	D	1, 25, 30	
		326TS	TEFC	M4115TS	4,142	LS	28.89	579	93	230/460	60	D	1, 30	
	1200	365U	TEFC	M4311	7,334	L1	33.34	728	93	230/460	62	B	1, 30	
		365T	TEFC	EM4312T	8,965	L1	32.84	858	94.1	230/460	61	A	1, 30	
	900	365T	TEFC	M4312T	7,162	L1	32.84	769	93	230/460	61	D	1, 30	
		404T	TEFC	M4458T	11,797	L1	38.06	1004	91.7	230/460	63	B	1, 30	
60	3600	364TS	TEFC	EM4310T	7,964	L1	30.72	816	93.6	230/460	68	A	1, 30	
		364TS	TEFC	M4310T	6,364	L1	30.90	680	93	208-230/460	66	D	1, 30	
	1800	364T	TEFC	EM4314T	7,881	LS	32.84	814	95	230/460	69	A	1, 30	
		364T	TEFC	EM4314T-12	8,056	L1	33.44	873	95	230/460	68	A	1, 25	
		364TS	TEFC	EM4314TS	7,881	L1	31.31	873	95	230/460	68	A	1	
		364T	TEFC	M4314T	6,250	LS	33.02	727	93.6	230/460	69	D	1, 30	
		364T	TEFC	M4314T-12	6,428	L1	32.84	773	93.6	230/460	71	D	1, 25, 30	
		364TS	TEFC	M4314TS	6,250	LS	30.72	734	93.6	230/460	71	D	1, 30	
	1200	404T	TEFC	EM4403T	10,882	L1	38.06	1214	94.5	230/460	72.5	A	1, 30	
		404T	TEFC	M4403T	9,041	L1	37.22	1051	93.6	230/460	72	D	1	
	900	405T	TEFC	M4468T	13,624	L1	38.06	1076	91.7	230/460	75	B	1, 30	

(a) See notes on inside back flap.

Cast Iron Frame

General Information  
Premium Efficient Super-E® Motors  
Single Phase Motors  
General Purpose Industrial Motors  
Severe Duty Motors  
Washdown Duty Motors  
Explosion Proof Motors  
Pump Motors  
Light Industrial/Commercial Motors  
HVAC Motors



**Three Phase, Totally Enclosed, Foot Mounted**

Hp	RPM	NEMA Frame	Encl.	Catalog Number	List Price	Mult. Sym.	"C" Dim.	Aprx. Wt. (lb)	Full Load Efficiency	Voltage	Full Load Amps	EISA Status (a)	Notes (a)	
75	3600	365TS	TEFC	EM4313T	9,265	L1	30.72	878	93.6	230/460	83	A	1, 30	
		365TS	TEFC	M4313T	7,729	L1	30.72	775	93	230/460	83	D	1, 30	
	1800	365T	TEFC	EM4316T	9,215	LS	32.84	908	95.4	230/460	86.5	A	1, 30	
		365T	TEFC	EM4316T-12	9,430	L1	33.44	913	95.4	230/460	86	A	1, 25	
		365TS	TEFC	EM4316TS	9,215	L1	31.31	913	95.4	230/460	86	A	1	
		365T	TEFC	M4316T	7,704	LS	33.02	874	94.1	230/460	86	D	1, 30	
		365T	TEFC	M4316T-12	7,922	L1	33.02	807	94.1	208-230/460	86	D	1, 25	
		365TS	TEFC	M4316TS	7,704	LS	30.90	808	94.1	230/460	86	D	1, 30	
	1200	405T	TEFC	EM4404T	12,672	L1	38.06	1213	94.5	230/460	88	A	1, 30	
		405T	TEFC	M4404T	10,197	L1	38.06	1125	93.6	230/460	88	D	1, 30	
100	3600	405TS	TEFC	EM4402T-4	11,846	L1	35.31	1288	94.1	460	110	A	1	
		405TS	TEFC	M4402T-4	9,871	L1	34.22	974	94.5	460	108	D	25	
	1800	405T	TEFC	EM4400T	11,444	LS	37.22	1243	95.4	230/460	112	A	1	
		405T	TEFC	EM4400T-12	11,422	L1	38.31	1323	95.4	230/460	112	A	1, 25	
		405TS	TEFC	EM4400TS	11,444	L1	38.31	1323	95.4	230/460	112	A	1	
		405T	TEFC	M4400T	9,567	LS	37.22	1012	94.5	230/460	113	D	1	
		405T	TEFC	M4400T-12	9,567	LS	37.22	1008	94.5	230/460	113	D	1, 25	
		405TS	TEFC	M4400TS	9,567	LS	34.22	987	94.5	230/460	113	D	1	
	1200	444T	TEFC	EM4409T-4	15,294	L1	44.75	1779	95	460	115	A	1	
		444T	TEFC	M4409T	12,745	L1	44.24	1636	94.1	230/460	120	D	1, 30	
125	3600	444TS	TEFC	EM4412T-4	14,642	L1	40.98	1711	95	460	137	A	1	
		444TS	TEFC	M4412T-4	13,433	L1	40.98	1489	94.5	460	138	D	1, 25	
	1800	444T	TEFC	EM4410T-4	14,167	LS	44.75	1449	95.4	460	139	A	1	
		444TS	TEFC	EM4410TS-4	14,167	L1	40.98	1800	95.4	460	139	A	1	
		444T	TEFC	M4410T-4	12,907	LS	44.24	1607	94.5	460	141	D	1, 25	
		444TS	TEFC	M4410TS-4	12,907	LS	40.50	1536	94.5	460	141	D	1, 25	
	1200	445T	TEFC	EM4411T-4	17,993	L1	44.75	1881	95	460	143	A	1	
		445T	TEFC	M4411T-4	16,359	L1	44.75	1664	94.1	460	151	D	1, 25	
	150	3600	445TS	TEFC	EM4413T-4	17,228	L1	40.98	1933	95	460	164	A	1
			445TS	TEFC	M4413T-4	15,951	L1	40.98	1501	94.5	460	168	D	1, 25
1800		445T	TEFC	EM4406T-4	16,296	LS	44.75	1672	95.8	460	173	A	1, 25	
		445TS	TEFC	EM4406TS-4	16,296	L1	40.98	1932	95.8	460	165	A	1	
		445T	TEFC	M4406T-4	15,120	LS	44.24	1740	95	460	168	D	1, 25	
		445TS	TEFC	M4406TS-4	15,120	LS	44.75	1568	95	460	168	D	1, 25	
1200		445T	TEFC	EM44156T-4	20,609	L1	48.24	2300	95.8	460	170	A	1	
		445T	TEFC	M44156T-4	19,322	L1	44.24	1672	95	460	175	D	1, 25	
200		3600	447TS	TEFC	EM4416T-4	20,648	L1	44.48	1995	95.4	460	216	A	1
			447TS	TEFC	M4416T-4	19,041	L1	44.00	1716	95	460	220	D	1, 25
	1800	445T	TEFC	EM4407T-4	20,386	L1	48.24	2417	96.2	460	221	A	1	
		445TS	TEFC	EM4407TS-4	20,386	L1	44.48	2417	96.2	460	221	A	1	
		445T	TEFC	M4407T-4	18,583	LS	44.24	1945	95	460	225	D	1, 25	
		445T	TEFC	M4407TR-4	18,643	L1	44.24	1800	95	460	225	D	1, 5	
		445TS	TEFC	M4407TS-4	18,583	LS	40.50	1662	95	460	225	D	1, 25	
		447T	TEFC	EM4407TR-4	20,443	L1	48.40	1875	96.2	460	221	A	1, 5	
	1200	449T	TEFC	EM44206T-4	25,427	L1	53.24	2809	95.8	460	227	A	1	
		449T	TEFC	M44206T-4	23,010	L1	53.24	2426	95	460	230	D	1, 27	
250	3600	449TS	TEFC	M44252T-4	28,111	L1	49.48	2314	95.4	460	280	B	1, 27	
		447T	TEFC	M4408T-4	23,246	L1	48.24	1877	95	460	282	B	1, 25, 27	
	1800	447T	TEFC	M4408TR-4	23,246	L1	48.24	2345	95	460	282	B	1, 5, 64	
		447TS	TEFC	M4408TS-4	23,246	L1	48.24	2120	95	460	282	B	1, 25, 27	
300	1200	449T	TEFC	M44256T-4	32,326	L1	53.24	2710	95.4	460	280	B	1, 25, 27	
		449TS	TEFC	M44302T-4	42,942	L1	49.48	2606	96.2	460	326	B	1, 27	
	1800	449T	TEFC	M44304T-4	34,603	L1	53.24	2648	95.4	460	336	B	1, 27	
		449TS	TEFC	M44304TS-4	34,603	L1	49.48	2629	95.4	460	336	B	1, 25, 27	
350	1200	449T	TEFC	M44306T-4	41,263	L1	53.24	2831	95.4	460	342	B	1, 27	
		449TS	TEFC	M44352T-4	49,606	L1	49.48	2908	96.2	460	375	B	1, 25, 27	
	1800	449T	TEFC	M44354T-4	38,446	L1	53.24	3044	96.2	460	392	B	1, 25, 27	
		449TS	TEFC	M44354TS-4	38,446	L1	49.48	3025	95.4	460	392	B	1, 25, 27	
400	3600	449TS	TEFC	M44402T-4	60,306	L1	49.48	2900	95.4	460	435	B	1, 25, 27	
		449T	TEFC	M44404T-4	50,281	L1	53.24	3004	96.2	460	442	B	1, 25, 27	

(a) See notes on inside back flap.

■ Cast Iron Frame

Custom TEFC motors available through 2,250 Hp; Open and WPIL custom motors through 15,000 Hp. Contact your Baldor•Reliance Sales Representative.

General Information

Premium Efficient Super-E® Motors

Single Phase Motors

General Purpose Industrial Motors

Severe Duty Motors

Washdown Duty Motors

Explosion Proof Motors

Pump Motors

Light Industrial/Commercial Motors

HVAC Motors

Three Phase,  
Totally Enclosed,  
C-Face,  
Foot Mounted

1/4 thru 100 Hp

NEMA 56C thru 405TC

**Applications:** Pumps, fans, conveyors, machine tools, gear reducers and other applications requiring a NEMA C-face motor.

**Features:** CEM Super-E® motors have NEMA Premium® efficiency and 3 year warranty.



Hp	RPM	NEMA Frame	Encl.	Catalog Number	List Price	Mult. Sym.	"C" Dim.	Aprx. Wt. (lb)	Full Load Efficiency	Voltage	Full Load Amps	EISA Status (a)	Notes (a)
1/4	1800	56C	TENV	<b>CNM3454/35</b>	462	K	11.07	30	80	230/460	0.4	C	1, 30, 48
	1200	56C	TENV	<b>CNM3531</b>	587	K	11.06	31	68	208-230/460	0.5	C	30
1/3	3600	56C	TENV	<b>CNM3457</b>	339	K	10.25	21	72	208-230/460	0.7	C	30
	1800	56C	TEFC	<b>CM3534</b>	333	LS	11.35	22	68	230/460	0.8	C	30
1/2	3600	56C	TEFC	<b>CM3537</b>	345	K	11.35	21	68	230/460	1	C	30
		56C	TEFC	<b>CM3538</b>	368	LS	11.35	23	74	230/460	1	C	30
	1800	56C	TENV	<b>CNM3538/35</b>	472	K	11.07	30	75.5	230/460	0.8	C	1, 30, 48
		56C	TEFC	<b>CM3539</b>	539	K	11.35	24	72	230/460	1.2	C	30
3/4	1200	56C	TENV	<b>CNM3539</b>	576	K	12.07	39	78.5	230/460	1.1	C	30
		56C	TEFC	<b>CM3541</b>	377	K	11.35	22	74	230/460	1.3	C	30
	3600	56C	TEFC	<b>CM3542</b>	391	LS	11.35	26	75.5	208-230/460	1.5	C	
		56C	TENV	<b>CNM3542</b>	424	K	11.07	28	78.5	230/460	1.4	C	30
1	3600	56C	TEFC	<b>CM3543</b>	550	K	12.85	33	77	208-230/460	1.5	C	
		56C	TEFC	<b>CEM3545</b>	588	K	12.25	34	84	230/460	1.4	C	30
	1800	56C	TEFC	<b>CM3545</b>	439	K	11.35	24	75.5	230/460	1.8	C	30
		56C	TEFC	<b>CEM3546</b>	592	K	13.23	40	85.5	208-230/460	1.5	C	
		56C	TEFC	<b>CM3546</b>	419	K	12.00	31	78.5	208-230/460	1.7	C	
		56C	TENV	<b>CNM3546</b>	484	K	12.07	39	85.5	208-230/460	1.4	C	
		143TC	TEFC	<b>CEM3546T</b>	654	LS	13.31	39	85.5	230/460	1.5	A	1, 30
		143TC	TEFC	<b>CEM3581T</b>	857	L1	13.03	56	85.5	208-230/460	1.5	A	1
	1200	56C	TEFC	<b>CM3546T</b>	456	LS	13.29	35	82.5	208-230/460	1.6	D	15
		56C	TEFC	<b>CM3556</b>	559	K	13.23	38	75.5	208-230/460	1.7	C	
		145TC	TEFC	<b>CEM3556T</b>	815	L1	14.19	50	82.5	230/460	1.7	A	1, 30
		145TC	TEFC	<b>CM3556T</b>	611	L1	13.29	40	80	208-230/460	1.8	D	
1 1/2	3600	56C	TEFC	<b>CEM3550</b>	622	K	13.25	42	84	208-230/460	2	C	
		56C	TEFC	<b>CM3550</b>	477	K	12.35	30	80	208-230/460	2.3	C	
		143TC	TEFC	<b>CEM3550T</b>	672	L1	14.23	43	84	208-230/460	2	A	1
		143TC	TEFC	<b>CEM3583T</b>	946	L1	13.05	57	84	208-230/460	2	A	1
		143TC	TEFC	<b>CM3550T</b>	512	L1	13.29	39	82.5	208-230/460	2.1	D	
	1800	56C	TEFC	<b>CEM3554</b>	654	K	14.10	51	86.5	230/460	2.1	C	30
		56C	TEFC	<b>CM3554</b>	456	K	12.23	35	78.5	208-230/460	2.5	C	
		145TC	TEFC	<b>CEM3554T</b>	679	LS	14.19	49	86.5	230/460	2.1	A	1, 30
		145TC	TEFC	<b>CEM3584T</b>	886	L1	13.03	60	86.5	208-230/460	2.1	A	1
		145TC	TEFC	<b>CM3554T</b>	466	LS	13.29	38	84	208-230/460	2.4	D	1
1200	56C	TEFC	<b>CM3557</b>	637	K	13.23	41	75.5	230/460	2.5	C	2, 20	
	182TC	TEFC	<b>CEM3607T</b>	945	L1	16.54	70	87.5	208-230/460	2.6	A	1	
	182TC	TEFC	<b>CM3607T</b>	729	L1	16.55	71	85.5	208-230/460	2.8	D	2, 20	

(a) See notes on inside back flap.

Custom TEFC motors available through 2,250 Hp; Open and WPII custom motors through 15,000 Hp. Contact your Baldor•Reliance Sales Representative.

■ Cast Iron Frame

General Information

Premium Efficient Super-E® Motors

Single Phase Motors

General Purpose Industrial Motors

Severe Duty Motors

Washdown Duty Motors

Explosion Proof Motors

Pump Motors

Light Industrial/Commercial Motors

HVAC Motors

**Three Phase, Totally Enclosed, C-Face, Foot Mounted**

Hp	RPM	NEMA Frame	Encl.	Catalog Number	List Price	Mult. Sym.	"C" Dim.	Aprx. Wt. (lb)	Full Load Efficiency	Voltage	Full Load Amps	EISA Status (a)	Notes (a)
2	3600	56C	TEFC	CEM3555	681	K	14.12	50	85.5	208-230/460	2.5	C	
		56C	TEFC	CM3555	533	K	12.85	33	80	208-230/460	2.9	C	
		56C	TEFC	CM3555/35	598	K	13.25	41	84	208-230/460	2.6	C	1, 48
		145TC	TEFC	CEM3555T	732	L1	14.19	51	85.5	208-230/460	2.5	A	1
		145TC	TEFC	CEM3586T	948	L1	13.05	64	85.5	208-230/460	2.5	A	1
		145TC	TEFC	CM3555T	586	L1	13.29	43	84	208-230/460	2.6	D	
	1800	56C	TEFC	CEM3558	691	K	14.10	47	86.5	208-230/460	2.7	C	
		56C	TEFC	CM3558	489	K	13.23	42	82.5	208-230/460	3.1	C	
		145TC	TEFC	CEM3558T	703	LS	14.19	51	86.5	208-230/460	2.7	A	1
		145TC	TEFC	CEM3587T	927	L1	13.03	64	86.5	208-230/460	2.8	A	1
		145TC	TEFC	CM3558T	488	LS	13.29	42	84	208-230/460	3.1	D	15
		184TC	TEFC	CEM3614T	975	L1	18.05	79	88.5	208-230/460	3.3	A	
1200	184TC	TEFC	CM3614T	779	L1	16.55	74	86.5	208-230/460	3.5	D		
	184TC	TEFC	CEM3664T	1,177	L1	15.24	112	88.5	208-230/460	3.5	A	1	

(a) See notes on inside back flap.

■ Cast Iron Frame

General Information  
Premium Efficient Super-E® Motors  
Single Phase Motors  
General Purpose Industrial Motors  
Severe Duty Motors  
Washdown Duty Motors  
Explosion Proof Motors  
Pump Motors  
Light Industrial/Commercial Motors  
HVAC Motors

Three Phase, Totally Enclosed, C-Face, Foot Mounted

Hp	RPM	NEMA Frame	Encl.	Catalog Number	List Price	Mult. Sym.	"C" Dim.	Aprx. Wt. (lb)	Full Load Efficiency	Voltage	Full Load Amps	EISA Status <sup>(a)</sup>	Notes <sup>(a)</sup>
15	3600	215TC	TEFC	<b>CEM3713T</b>	1,965	L1	21.25	175	91	230/460	17	A	1
		215TC	TEFC	<b>CM3713T</b>	1,639	L1	21.25	167	90.2	208-230/460	17	D	1
		215TC	TEFC	<b>CM3773T</b>	1,927	L1	19.20	214	90.2	208-230/460	17	D	1
		254TC	TEFC	<b>CEM2394T</b>	2,750	L1	23.78	285	91	230/460	17.2	A	1, 30
	1800	254TC	TEFC	<b>CEM2333T</b>	2,950	LS	23.78	255	92.4	230/460	18.5	A	1, 30
		254TC	TEFC	<b>CM2333T</b>	2,192	LS	21.57	253	91	208-230/460	18.5	D	1
20	3600	256TC	TEFC	<b>CEM4106T</b>	2,967	L1	23.78	258	91	230/460	22.5	A	1, 30
		256TC	TEFC	<b>CM4106T</b>	2,591	L1	23.32	270	90.2	208-230/460	23	D	1
	1800	256TC	TEFC	<b>CEM2334T</b>	3,006	L1	23.78	286	93	230/460	24	A	1, 30
		256TC	TEFC	<b>CM2334T</b>	2,552	L1	23.32	245	91	230/460	25	D	1, 30
25	3600	284TSC	TEFC	<b>CEM4107T</b>	3,916	L1	25.25	383	91.7	230/460	28	A	1, 30
		284TSC	TEFC	<b>CM4107T</b>	3,354	L1	25.25	361	91	230/460	28	D	1, 30
	1800	284TC	TEFC	<b>CEM4103T</b>	3,975	L1	27.76	393	93.6	230/460	30	A	1, 30
		284TC	TEFC	<b>CM4103T</b>	3,233	L1	26.62	354	92.4	230/460	29	D	1, 30
30	3600	284TSC	TEFC	<b>CEM4108T</b>	4,369	L1	24.70	395	91.7	230/460	33	A	1, 30
		284TSC	TEFC	<b>CM4108T</b>	3,459	L1	25.25	383	91	208-230/460	34	D	1
	1800	286TC	TEFC	<b>CEM4104T</b>	4,580	L1	27.76	437	93.6	230/460	36	A	1, 30
		286TC	TEFC	<b>CM4104T</b>	3,690	L1	26.62	375	92.4	230/460	36	D	1, 30
40	3600	324TSC	TEFC	<b>CEM4109T</b>	5,963	L1	28.78	528	92.4	230/460	45	A	1, 30
		324TSC	TEFC	<b>CM4109T</b>	4,885	L1	28.89	486	91.7	230/460	45	D	1, 30
	1800	324TC	TEFC	<b>CEM4110T</b>	5,836	L1	30.28	614	94.1	230/460	46	A	1, 30
		324TC	TEFC	<b>CM4110T</b>	4,735	L1	30.39	594	93	230/460	48	D	1, 30
50	3600	326TSC	TEFC	<b>CEM4114T</b>	6,449	L1	28.90	587	93	230/460	56	A	1, 30
		326TSC	TEFC	<b>CM4114T</b>	4,952	L1	28.89	595	92.4	230/460	56	D	1, 30
	1800	326TC	TEFC	<b>CEM4115T</b>	6,303	L1	30.28	645	94.5	230/460	57	A	1, 30
		326TC	TEFC	<b>CM4115T</b>	4,873	L1	30.39	579	93	208-230/460	59	D	1
60	3600	364TSC	TEFC	<b>CEM4310T</b>	8,816	L1	31.31	820	93.6	230/460	65.1	A	1
		364TSC	TEFC	<b>CM4310T</b>	7,216	L1	30.72	769	93	230/460	67	D	1, 30
	1800	364TC	TEFC	<b>CEM4314T</b>	8,788	L1	32.84	816	95	230/460	69	A	1, 30
		364TC	TEFC	<b>CM4314T</b>	7,121	L1	32.84	778	93.6	230/460	71	D	1, 30
75	3600	365TSC	TEFC	<b>CEM4313T</b>	10,116	L1	31.31	890	93.6	230/460	80.7	A	1
		365TSC	TEFC	<b>CM4313T</b>	8,580	L1	30.72	762	93	230/460	83	D	1, 30
	1800	365TC	TEFC	<b>CEM4316T</b>	10,127	L1	32.84	911	95.4	230/460	84	A	1, 30
		365TC	TEFC	<b>CM4316T</b>	8,580	L1	32.84	820	94.1	230/460	86	D	1, 30
100	1800	405TC	TEFC	<b>CEM4400T</b>	13,375	L1	38.06	1191	95.4	230/460	109	A	1, 30
		405TC	TEFC	<b>CM4400T</b>	10,662	L1	37.22	1121	94.5	230/460	113	D	1

<sup>(a)</sup> See notes on inside back flap.

Custom TEFC motors available through 2,250 Hp; Open and WPll custom motors through 15,000 Hp. Contact your Baldor•Reliance Sales Representative.

■ Cast Iron Frame

General Information

Premium Efficient Super-E® Motors

Single Phase Motors

General Purpose Industrial Motors

Severe Duty Motors

Washdown Duty Motors

Explosion Proof Motors

Pump Motors

Light Industrial/Commercial Motors

HVAC Motors

**Three Phase,  
Totally Enclosed,  
C-Face, Footless**

**1/4 thru 30 Hp**

**NEMA 56C thru 286TC**

**Applications:** Pumps, fans, conveyors, machine tools, gear reducers and other applications requiring a NEMA C-face motor.

**Features:** Ball bearings with a locked drive end bearing and heavy-gauge steel or cast iron frame. VEM Super-E® motors have NEMA Premium® efficiency and 3 year warranty.



Hp	RPM	NEMA Frame	Encl.	Catalog Number	List Price	Mult. Sym.	"C" Dim.	Aprx. Wt. (lb)	Full Load Efficiency	Voltage	Full Load Amps	EISA Status (a)	Notes (a)
1/4	1800	56C	TENV	<b>KENM3454</b>	452	K	11.07	30	80	230/460	0.4	C	30
		56C	TEFC	<b>KM3454</b>	290	K	11.35	19	64	230/460	0.7	C	30
		56C	TENV	<b>KNM3454</b>	306	K	10.25	19	64	208-230/460	0.7	C	2, 20
1/4	1200	56C	TEFC	<b>VM3531</b>	443	K	11.35	19	68	230/460	0.7	C	30
		56C	TENV	<b>KM3457</b>	296	K	10.25	20	72	230/460	0.7	C	30
		56C	TENV	<b>KNM3457/35</b>	477	K	11.07	29	78.5	230/460	0.5	C	1, 30, 48
1/3	1800	56C	TENV	<b>KENM3534</b>	499	K	11.07	31	80	230/460	0.6	C	1, 30, 48
		56C	TENV	<b>KNM3534</b>	339	K	10.25	22	70	208-230/460	0.7	C	1, 48
		56C	TEFC	<b>VM3534</b>	314	LS	11.35	22	68	230/460	0.8	C	30
	1200	56C	TENV	<b>KENM3535</b>	733	K	11.07	35	81.5	230/460	0.6	C	1, 30, 48
		56C	TEFC	<b>VM3535</b>	498	K	11.35	21	70	230/460	0.9	C	30
		56C	TEFC	<b>VM3537</b>	340	K	11.35	19	68	230/460	1	C	30
1/2	3600	56C	TENV	<b>VNM3537</b>	478	K	11.07	32	77	230/460	0.8	C	1, 48
		56C	TEFC	<b>VEM3538</b>	614	LS	12.24	31	82.5	230/460	0.8	C	1, 30, 48
		56C	TENV	<b>VENM3538</b>	565	K	11.07	32	82.5	230/460	0.8	C	30
	1800	56C	TEFC	<b>VM3538</b>	360	LS	11.35	23	74	230/460	1	C	30
		56C	TENV	<b>VNM3538</b>	391	K	10.25	22	74	208-230/460	1	C	2, 20
		56C	TEFC	<b>VM3539</b>	534	K	11.35	23	72	230/460	1.2	C	30
3/4	3600	56C	TEFC	<b>VM3541</b>	372	K	11.35	21	74	230/460	1.3	C	30
		56C	TENV	<b>VNM3541</b>	511	K	11.07	38	84	230/460	1	C	1, 30, 48
		56C	TEFC	<b>VEM3542</b>	652	LS	12.24	34	84	230/460	1.1	C	1
	1800	56C	TENV	<b>VENM3542</b>	617	L1	11.07	33	84	230/460	1.1	C	1, 30, 48
		56C	TEFC	<b>VM3542</b>	383	LS	11.35	25	75.5	208-230/460	1.5	C	
		56C	TENV	<b>VNM3542</b>	396	K	11.75	30	75	230/460	1.3	C	30
1200	56C	TEFC	<b>VM3543</b>	546	K	12.85	32	77	208-230/460	1.5	C		
	143TC	TEFC	<b>VM3543T</b>	546	L1	13.41	33	77	208-230/460	1.5	C		
	56C	TEFC	<b>VEM3545</b>	584	K	12.24	32	84	230/460	1.4	C	1, 30	
1	3600	56C	TEFC	<b>VM3545</b>	435	K	11.35	23	75.5	230/460	1.8	C	30
		56C	TEFC	<b>VEM3546</b>	671	LS	13.24	39	85.5	208-230/460	1.5	C	1
		56C	TEFC	<b>VEM3581</b>	853	K	12.49	58	85.5	208-230/460	1.5	C	1
	1800	56C	TEFC	<b>VM3546</b>	400	LS	12.00	30	78.5	208-230/460	1.7	C	
		56C	TENV	<b>VNM3546</b>	468	K	12.07	39	85.5	208-230/460	1.4	C	1, 48
		143TC	TEFC	<b>VEM3546T</b>	684	LS	13.31	42	85.5	208-230/460	1.5	B	1
		143TC	TEFC	<b>VEM3581T</b>	853	L1	13.03	55	85.5	208-230/460	1.5	B	1
		143TC	TENV	<b>VENM3546T</b>	622	L1	12.12	43	85.5	208-230/460	1.4	C	1, 48
		143TC	TENV	<b>VENM3581T</b>	891	L1	11.36	55	85.5	208-230/460	1.4	C	1, 48
		143TC	TEFC	<b>VM3546T</b>	486	LS	12.06	31	82.5	208-230/460	1.7	B	
		182C	TEFC	<b>VM3603</b>	826	L1	12.31	30	82.5	208-230/460	1.6	B	
		56C	TEFC	<b>VEM3556</b>	759	K	13.24	43	82.5	208-230/460	1.8	C	1
	1200	56C	TEFC	<b>VM3556</b>	557	K	13.23	37	75.5	208-230/460	1.7	C	
		145TC	TEFC	<b>VM3556T</b>	654	L1	13.31	40	80	208-230/460	1.7	B	

(a) See notes on inside back flap.

■ Cast Iron Frame

General Information

Premium Efficient Super-E® Motors

Single Phase Motors

General Purpose Industrial Motors

Severe Duty Motors

Washdown Duty Motors

Explosion Proof Motors

Pump Motors

Light Industrial/Commercial Motors

HVAC Motors



Three Phase, Totally Enclosed, C-Face, Footless

Hp	RPM	NEMA Frame	Encl.	Catalog Number	List Price	Mult. Sym.	"C" Dim.	Aprx. Wt. (lb)	Full Load Efficiency	Voltage	Full Load Amps	EISA Status (a)	Notes (a)
1 1/2	3600	56C	TEFC	VEM3550	616	K	13.24	41	84	208-230/460	2	C	1
		56C	TEFC	VM3550	473	K	11.97	28	80	208-230/460	2.3	C	
		143TC	TEFC	VM3550T	549	L1	12.04	30	82.5	208-230/460	2.3	B	
	1800	56C	TEFC	VEM3554	746	LS	14.12	48	86.5	230/460	2.1	C	1, 30
		56C	TEFC	VM3554	449	LS	12.23	34	78.5	208-230/460	2.5	C	
		145TC	TEFC	VEM3554T	714	LS	14.19	49	86.5	208-230/460	2.1	B	1
		145TC	TEFC	VEM3584T	855	L1	13.03	61	86.5	208-230/460	2.1	B	1
		145TC	TEFC	VM3554T	495	LS	12.31	34	84	208-230/460	2.5	B	
		184C	TEFC	VM3606	878	L1	13.31	34	84	208-230/460	2.4	B	
	1200	56C	TEFC	VM3557	636	K	13.23	40	75.5	230/460	2.5	C	2, 20
		145TC	TEFC	VM3557T	683	L1	13.31	39	85.5	230/460	2.5	B	2, 20, 30
		184C	TEFC	VM3607	985	L1	13.31	42	85.5	230/460	2.5	B	30
2	3600	56C	TEFC	VEM3555	676	K	14.12	49	85.5	208-230/460	2.5	C	1
		56C	TEFC	VM3555	527	K	12.85	33	80	208-230/460	2.9	C	
		143TC	TEFC	VM3555T	626	L1	12.92	34	84	208-230/460	2.9	B	
	1800	56C	TEFC	VEM3558	787	LS	14.12	49	86.5	208-230/460	2.7	C	1
		56C	TEFC	VM3558	482	LS	13.23	44	82.5	208-230/460	3.1	C	
		145TC	TEFC	VEM3558T	801	LS	14.17	47	86.5	208-230/460	2.6	B	
		145TC	TEFC	VEM3587T	921	L1	13.03	64	86.5	208-230/460	2.8	B	1
		145TC	TEFC	VM3558T	520	LS	13.31	42	84	208-230/460	3.1	B	
		184C	TEFC	VM3609	912	L1	13.31	41	84	208-230/460	3.1	B	
	1200	184C	TEFC	VM3614	1,030	L1	15.68	63	86.5	208-230/460	3.3	B	
		184TC	TEFC	VM3614T	827	L1	16.55	65	86.5	208-230/460	3.3	B	
		184TC	TEFC	VM3664T	1,069	L1	15.99	99	86.5	230/460	3.5	B	1, 30
3	3600	56C	TEFC	VM3559	611	K	13.23	44	82.5	208-230/460	3.8	C	1
		145TC	TEFC	VM3559T	714	L1	13.31	45	85.5	208-230/460	3.8	B	1
		182TC	TEFC	VEM3610T	827	L1	15.18	67	86.5	230/460	3.7	B	
		182TC	TEFC	VM3610T	782	L1	14.30	50	85.5	208-230/460	3.8	B	1
	1800	184C	TEFC	VM3610	887	L1	14.19	46	85.5	208-230/460	3.7	B	1
		56C	TEFC	VM3561	640	K	14.10	49	84	208-230/460	4.1	C	1
		145TC	TEFC	VM3561T	691	L1	15.56	59	87.5	208-230/460	4.2	B	1
		182TC	TEFC	VEM3611T	908	L1	16.55	71	89.5	208-230/460	4.1	B	
		182TC	TEFC	VEM3661T	1,066	L1	16.00	97	89.5	230/460	4	B	1, 30
		182TC	TEFC	VM3611T	628	LS	15.18	56	87.5	208-230/460	4.1	B	1
		182TC	TEFC	VM3661T	1,010	L1	15.99	95	87.5	208-230/460	4.1	B	1, 30
		184C	TEFC	VM3611	942	L1	15.56	52	87.5	208-230/460	4.2	B	1
1200	213C	TEFC	VM3703	1,001	L1	15.30	61	87.5	208-230/460	4.3	B	1	
	213TC	TEFC	VM3704T	1,084	L1	17.01	96	87.5	208-230/460	4.8	B	1	
	215C	TEFC	VM3704	1,209	L1	16.64	86	87.5	208-230/460	4.8	B	1	
5	3600	184TC	TEFC	VEM3613T	912	L1	16.55	78	88.5	230/460	5.6	B	
		184C	TEFC	VM3613	846	L1	15.68	67	87.5	208-230/460	6	B	1
		184TC	TEFC	VM3613T	890	L1	16.55	69	87.5	208-230/460	6	B	1
		184TC	TEFC	VM3663T	1,224	L1	15.99	93	87.5	208-230/460	5.9	B	1
	1800	184TC	TEFC	VEM3615T	990	L1	18.05	94	89.5	230/460	6.5	B	30
		184TC	TEFC	VEM3665T	1,090	L1	16.00	126	89.5	208-230/460	6.5	B	1
		184C	TEFC	VM3615	1,076	L1	15.68	73	87.5	208-230/460	6.6	B	1
		184TC	TEFC	VM3615T	719	LS	16.55	75	87.5	208-230/460	6.6	B	1
		184TC	TEFC	VM3665T	1,025	L1	15.99	106	87.5	208-230/460	6.7	B	1
		215C	TEFC	VM3707	1,236	L1	16.67	76	87.5	208-230/460	6.6	B	1
	1200	215TC	TEFC	VM3708T	1,283	L1	18.63	123	87.5	208-230/460	7.6	B	1
	7 1/2	3600	184TC	TEFC	VM3616T	1,071	L1	18.05	88	88.5	208-230/460	8.6	B
213TC			TEFC	VM3709T	1,346	L1	18.56	96	88.5	208-230/460	8.6	B	1
1800		213TC	TEFC	VEM3710T	1,268	L1	19.76	127	91.7	208-230/460	9.4	B	
		213TC	TEFC	VEM3770T	1,481	L1	19.25	170	91.7	230/460	9.5	B	1, 30
		213TC	TEFC	VM3710T	959	LS	18.63	109	89.5	208-230/460	10.9	B	1
		213TC	TEFC	VM3770T	1,418	L1	19.25	164	89.5	208-230/460	10.3	B	1

(a) See notes on inside back flap.

■ Cast Iron Frame

General Information

Premium Efficient Super-E® Motors

Single Phase Motors

General Purpose Industrial Motors

Severe Duty Motors

Washdown Duty Motors

Explosion Proof Motors

Pump Motors

Light Industrial/Commercial Motors

HVAC Motors

**Three Phase, Totally Enclosed, C-Face, Footless**

Hp	RPM	NEMA Frame	Encl.	Catalog Number	List Price	Mult. Sym.	"C" Dim.	Aprx. Wt. (lb)	Full Load Efficiency	Voltage	Full Load Amps	EISA Status (a)	Notes (a)
10	3600	215TC	TEFC	<b>VM3711T</b>	1,400	L1	18.63	122	89.5	208-230/460	11.9	B	1
	1800	215TC	TEFC	<b>VEM3714T</b>	1,417	L1	21.26	165	91.7	208-230/460	12	B	
		215TC	TEFC	<b>VEM3774T</b>	1,643	L1	19.25	231	91.7	230/460	12.5	B	1, 30
		215TC	TEFC	<b>VM3714T</b>	1,142	LS	19.76	129	89.5	208-230/460	13.5	B	1, 20
		215TC	TEFC	<b>VM3774T</b>	1,514	L1	19.25	169	89.5	208-230/460	13	B	1
1200	256TC	TEFC	<b>VM2332T</b>	2,367	L1	23.66	290	89.5	230/460	14.4	B	1, 30	
15	3600	215TC	TEFC	<b>VM3713T</b>	1,748	L1	19.76	140	90.2	208-230/460	17	B	2, 20
	1800	254TC	TEFC	<b>VM2394T</b>	2,450	L1	20.32	200	90.2	208-230/460	17.5	B	1
20	1800	254TC	TEFC	<b>VM2333T</b>	2,222	LS	20.32	199	91	208-230/460	18.9	B	1
	3600	256TC	TEFC	<b>VM4106T</b>	2,653	L1	20.32	221	90.2	208-230/460	23	B	1
25	1800	256TC	TEFC	<b>VM2334T</b>	2,601	LS	23.32	273	91	230/460	25	B	1, 30
	3600	284TSC	TEFC	<b>VM4107T</b>	3,405	L1	22.40	371	91	230/460	28	B	1, 30
30	1800	284TC	TEFC	<b>VM4103T</b>	3,263	LS	23.65	373	92.4	230/460	30	B	1, 30
	3600	286TSC	TEFC	<b>VM4108T</b>	3,649	L1	22.40	403	91	208-230/460	34	B	1
	1800	286TC	TEFC	<b>VM4104T</b>	3,326	LS	27.76	401	92.4	230/460	38	B	1, 30

(a) See notes on inside back flap.

■ Cast Iron Frame

General Information

Premium Efficient Super-E® Motors

Single Phase Motors

General Purpose Industrial Motors

Severe Duty Motors

Washdown Duty Motors

Explosion Proof Motors

Pump Motors

Light Industrial/Commercial Motors

HVAC Motors

Three Phase,  
Open Drip Proof,  
Foot Mounted

1/4 thru 450 Hp

NEMA 48 thru 449T

**Applications:** Pumps, compressors, fans, conveyors, machine tools and other general purpose three phase applications.

**Features:** Copper windings, ball bearings and heavy duty steel or cast iron frames. Mount in any position. EM Super-E® motors have NEMA Premium® efficiency and 3 year warranty.



General Information

Premium Efficient Super-E® Motors

Single Phase Motors

General Purpose Industrial Motors

Severe Duty Motors

Washdown Duty Motors

Explosion Proof Motors

Pump Motors

Light Industrial/Commercial Motors

HVAC Motors

Hp	RPM	NEMA Frame	Catalog Number	List Price	Mult. Sym.	"C" Dim.	Aprx. Wt. (lb)	Full Load Efficiency	Voltage	Full Load Amps	EISA Status (a)	Notes (a)	
1/4	1800	48	M3003	257	K	9.13	18	64	230/460	0.7	C	30	
	1200	48	M3004	416	K	9.13	19	68	230/460	0.7	C	30	
		56	M3101	416	K	9.50	20	68	230/460	0.7	C	30	
1/3	3600	48	M3006	261	K	9.13	19	72	230/460	0.7	C	30	
	1800	48	M3007	276	K	9.13	20	68	230/460	0.8	C	30	
		56	M3104	265	LS	9.50	20	68	230/460	0.8	C	30	
	1200	48	M3008	407	K	9.13	21	70	230/460	0.9	C	30	
		56	M3105	435	K	10.25	22	70	230/460	0.9	C	30	
	3600	48	M3009	276	K	9.13	19	68	230/460	1	C	30	
1/2	3600	56	M3107	276	K	9.50	19	68	230/460	1	C	30	
		48	M3010	346	K	9.13	22	74	230/460	1	C	30	
	1800	56	M3108	301	LS	9.50	22	74	230/460	1	C	30	
		56	M3108A	409	K	10.25	23	74	230/460	1	C	30	
	1200	48	M3011	450	K	9.38	23	72	230/460	1.2	C	30	
		56	M3109	478	K	11.25	25	72	230/460	1.2	C	30	
	900	56	M3160	727	K	12.07	33	66	208-230/460	1.3	C		
	3/4	3600	48	M3012	331	K	9.13	21	74	230/460	1.3	C	30
56			M3111	324	K	9.50	21	74	230/460	1.3	C	30	
1800		48	M3013	385	K	9.75	25	75.5	208-230/460	1.5	C		
		56	M3112	336	LS	10.12	25	75.5	208-230/460	1.5	C		
1200		56	M3112A	447	K	11.25	26	74	230/460	1.5	C	30	
		56	M3153	516	K	12.25	32	77	208-230/460	1.5	C		
		143T	M3153T	516	L1	12.32	33	77	208-230/460	1.5	C		
1	3600	56	EM3115	483	K	11.06	32	84	230/460	1.4	C	1, 30	
		56	M3115	375	K	9.50	23	75.5	230/460	1.8	C	30	
	1800	56	M3116	379	LS	11.75	29	78.5	208-230/460	1.7	C		
		56	M3116A	497	K	11.75	27	78.5	208-230/460	2	C		
		143T	EM3116T	628	LS	11.62	36	85.5	230/460	1.5	A	1, 30	
		143T	M3116T	381	LS	11.12	32	82.5	208-230/460	1.6	D		
		182	M3203	628	L1	12.62	35	82.5	208-230/460	1.6	B		
	1200	56/56H	M3156	549	K	11.75	37	75.5	208-230/460	1.7	C	36	
		145T	EM3156T	641	L1	13.00	44	82.5	230/460	1.7	A	1, 30	
		145T	M3156T	536	L1	11.62	39	80	208-230/460	1.9	D		
	900	182T	M3216T	913	L1	13.62	56	74	230/460	2.2	B	30	
	1 1/2	3600	56	M3120	419	K	11.00	29	80	208-230/460	2.3	C	
			143T	EM3120T	539	L1	11.12	36	84	208-230/460	2.1	A	1
143T			M3120T	450	L1	11.12	34	82.5	208-230/460	2	D		
1800		56	M3154	438	LS	12.25	33	77	208-230/460	2.8	C		
		56	M3154A	496	K	11.07	33	78.5	208-230/460	2.4	C		
		145T	EM3154T	656	LS	13.00	44	86.5	230/460	2.1	A	1, 30	
		145T	M3154T	446	LS	11.12	34	84	208-230/460	2.4	D		
		184	M3206	654	L1	12.62	38	84	208-230/460	2.4	B		
1200		56/56H	M3159	624	K	11.75	38	75.5	230/460	2.5	C	36	
		182T	EM3207T	750	L1	15.00	72	86.5	208-230/460	2.6	A	1	
	182T	M3207T	630	L1	14.63	63	84	208-230/460	2.6	D	1, 30		
900	184T	M3220T	1,110	L1	15.00	64	75.5	230/460	2.9	B	1		

(a) See notes on inside back flap.

Cast Iron Frame

Three Phase, Open Drip Proof, Foot Mounted

Hp	RPM	NEMA Frame	Catalog Number	List Price	Mult. Sym.	"C" Dim.	Aprx. Wt. (lb)	Full Load Efficiency	Voltage	Full Load Amps	EISA Status (a)	Notes (a)	
2	3600	56	M3155	489	K	11.00	32	80	208-230/460	2.9	C		
		143T	EM3155T	633	L1	11.62	40	85.5	208-230/460	2.5	A	1	
		145T	M3155T	498	L1	11.62	38	84	208-230/460	2.6	D		
		184	M3208	803	L1	12.62	40	84	208-230/460	2.8	B		
	1800	145TY	EM3157TA	727	L1	13.00	41	86.5	208-230/460	2.8	A		
		56H	M3157	456	LS	11.75	37	78.5	208-230/460	3.2	C	36	
		56HZ	M3157TA	568	K	12.13	39	81.5	208-230/460	2.9	D	37	
		145T	EM3157T	703	LS	13.00	46	86.5	230/460	2.8	A	1	
		145T	M3157T	456	LS	11.62	37	84	208-230/460	3.2	D		
		184	M3209	704	L1	12.62	41	84	208-230/460	3.2	B		
	1200	184T	EM3215T	767	L1	16.50	85	87.5	208-230/460	3.5	A	1	
		184T	M3215T	617	L1	15.00	67	85.5	230/460	3.6	D	1, 30	
900	213T	M3303T	1,370	L1	16.32	88	85.5	208-230/460	3.5	B			
3	3600	56/56H	M3158	504	K	11.75	40	80	208-230/460	4	C	36	
		145T	EM3158T	641	L1	13.00	52	85.5	230/460	3.7	A	1, 30	
		145T	M3158T	528	L1	12.13	45	84	208-230/460	3.7	D		
		184	M3210	853	L1	12.62	43	84	208-230/460	3.8	B		
	1800	56HZ	M3161TA	630	K	14.38	57	84	208-230/460	4.2	D	37	
		145T	M3161T	545	L1	14.38	53	86.5	208-230/460	4.1	D	1	
		182T	EM3211T	758	LS	15.00	75	89.5	230/460	4	A	1, 30	
		182T	EM3211TA	852	L1	15.00	75	89.5	230/460	4	A	1, 30	
		182T	M3211T	476	LS	14.63	61	86.5	208-230/460	4	D	1	
		182T	M3211T/36	546	L1	15.00	62	86.5	208-230/460	4.3	D	1	
		182T	M3211TA	665	L1	14.63	59	86.5	208-230/460	4	D		
		184	M3211	706	L1	12.62	47	86.5	208-230/460	4.3	B	1	
	1200	213	M3304	860	L1	16.63	67	86.5	208-230/460	4.3	B		
		213T	EM3305T	976	L1	16.32	117	88.5	230/460	4.4	A	1, 30	
	900	213T	M3305T	725	L1	16.32	106	86.5	208-230/460	4.6	D		
		215T	M3306T	1,579	L1	17.45	111	86.5	208-230/460	5.2	B		
	5	3600	182T	EM3212T	700	L1	15.00	76	86.5	208-230/460	5.6	A	1
			182T	M3212T	547	L1	14.00	56	85.5	208-230/460	6.1	D	
213			M3307	958	L1	16.62	67	85.5	208-230/460	6	B		
1800		184T	EM3218T	830	LS	16.50	85	89.5	230/460	6.6	A	1, 30	
		184T	EM3218TA	902	L1	16.50	85	89.5	230/460	6.6	A	1, 30	
		184T	M3218T	526	LS	15.00	70	87.5	208-230/460	7.2	D		
		184T	M3218TA	703	L1	15.00	70	87.5	208-230/460	7	D		
		215	M3308	902	L1	16.62	69	87.5	208-230/460	7	B		
1200		215T	EM3309T	1,279	L1	17.45	126	89.5	230/460	7.3	A	1, 30	
		215T	M3309T	950	L1	16.32	117	87.5	208-230/460	7.6	D		
900		254T	M2504T	2,207	L1	19.75	129	87.5	230/460	9.8	B		
7 1/2		3600	184T	EM3219T	1,110	L1	16.50	89	88.5	230/460	8	A	1
	184T		M3219T	750	L1	15.00	68	87.5	208-230/460	8.7	D		
	215		M3310	1,213	L1	16.62	75	87.5	208-230/460	9	B		
	1800	213T	EM3311T	1,220	LS	16.32	117	91	230/460	9.6	A	1, 30	
		213T	M3311T	746	LS	17.00	95	88.5	208-230/460	10	D		
		254U	M2505	1,841	L1	19.51	106	88.5	208-230/460	10.4	B		
	1200	254T	EM2506T	1,533	L1	23.19	245	90.2	230/460	10.7	A	1, 30	
		254T	M2506T	1,172	L1	19.75	247	88.5	208-230/460	10.6	D	1	
	900	256T	M2508T	2,762	L1	23.19	255	88.5	208-230/460	12.7	B	1, 30	
	10	3600	213T	EM3312T	1,269	L1	17.45	130	89.5	230/460	11.5	A	1, 30
213T			M3312T	942	L1	16.32	106	88.5	208-230/460	11.6	D		
1800		215T	EM3313T	1,477	LS	17.45	128	91.7	230/460	12.5	A	1, 30	
		215T	M3313T	913	LS	16.32	110	89.5	208-230/460	13.4	D		
		256U	M2510	2,223	L1	21.44	177	89.5	230/460	13.6	B	1, 30	
1200		256T	EM2511T	1,995	L1	23.19	249	91.7	230/460	14.3	A	1, 30	
	256T	M2511T	1,516	L1	23.19	228	90.2	230/460	14.7	D	1, 30		

(a) See notes on inside back flap.

■ Cast Iron Frame

General Information

Premium Efficient Super-E® Motors

Single Phase Motors

General Purpose Industrial Motors

Severe Duty Motors

Washdown Duty Motors

Explosion Proof Motors

Pump Motors

Light Industrial/Commercial Motors

HVAC Motors

Three Phase, Open Drip Proof, Foot Mounted

Hp	RPM	NEMA Frame	Catalog Number	List Price	Mult. Sym.	"C" Dim.	Aprx. Wt. (lb)	Full Load Efficiency	Voltage	Full Load Amps	EISA Status (a)	Notes (a)
15	3600	215T	EM3314T	1,803	L1	17.45	147	90.2	230/460	17	A	1, 30
		215T	M3314T	1,376	L1	16.32	125	89.5	208-230/460	17.5	D	
	1800	254T	EM2513T	2,091	LS	21.69	217	93	230/460	17.7	A	1, 30
		254T	EM2513T-CI	1,986	L1	20.63	255	93	230/460	17.8	A	30
		254T	M2513T	1,380	LS	19.75	187	91	208-230/460	19	D	1
		284U	M2523	2,907	L1	23.69	272	91	230/460	21	B	1, 30
		284T	EM2524T	2,690	L1	23.81	375	91.7	230/460	20	A	1, 30
	1200	284T	M2524T	1,982	L1	24.94	289	90.2	230/460	21.3	D	1, 30
		254T	EM2514T	2,118	L1	21.69	206	91	230/460	22.5	A	1, 30
	20	3600	254T	M2514T	1,759	L1	21.69	167	90.2	230/460	24	D
256T			EM2515T	2,290	L1	21.69	237	93	230/460	23.5	A	1, 30
1800		256T	EM2515T-12	2,334	L1	21.69	237	93	230/460	23.5	A	1, 25, 30
		256T	EM2515T-CI	2,496	L1	22.38	283	93	230/460	24	A	30
		256T	M2515T	1,774	L1	22.25	187	91.7	230/460	24	D	1, 30
		256T	M2515T-12	1,818	L1	21.69	272	91	230/460	25	D	1, 25, 30
		286U	M2527	3,335	L1	23.69	295	91.7	230/460	25	B	1, 30
1200		286T	EM2528T	3,274	L1	25.06	372	92.4	230/460	26	A	1, 30
		286T	M2528T	2,431	L1	26.44	377	91	230/460	28.5	D	1, 30
25		3600	256T	EM2516T	2,543	L1	21.69	242	91.7	230/460	28	A
	256T		M2516T	2,128	L1	21.69	202	91	230/460	29	D	1, 30
	1800	284T	EM2531T	2,791	L1	23.81	330	93.6	230/460	30	A	1, 30
		284T	EM2531T-12	2,845	L1	23.81	330	93.6	230/460	30	A	1, 25, 30
		284T	EM2531T-CI	3,043	L1	23.44	420	93.6	230/460	30	A	30
		284T	M2531T	2,150	L1	23.44	245	91.7	230/460	31	D	1, 30
		284T	M2531T-12	2,203	L1	23.44	245	91.7	230/460	31	D	25
	1200	326U	M2531	4,568	L1	26.56	387	91.7	230/460	31	B	1, 30
		324T	EM2532T	3,954	L1	27.69	478	93	208-230/460	32	A	1
	30	3600	324T	M2532T	3,416	L1	26.19	374	91.7	208-230/460	33	D
284TS			EM2534T	3,001	L1	22.44	323	91.7	208-230/460	34	A	1
1800		284TS	M2534T	2,252	L1	22.06	261	91	208-230/460	35	D	
		286T	EM2535T	3,052	L1	25.06	372	94.1	230/460	35	A	1, 30
		286T	EM2535T-12	3,114	L1	25.06	372	94.1	230/460	35	A	1, 25, 30
		286T	EM2535T-CI	3,327	L1	24.94	425	94.1	230/460	35	A	30
		286T	M2535T	2,514	L1	24.94	287	92.4	230/460	36	D	1, 30
1200		286T	M2535T-12	2,576	L1	24.94	283	92.4	230/460	36	D	1, 25, 30
		326U	M2535	5,013	L1	26.56	412	92.4	230/460	37	B	
40		3600	326T	EM2536T	4,125	L1	28.69	474	93.6	230/460	38	A
	326T		M2536T	3,599	L1	27.19	367	92.4	208-230/460	39	D	
	1800	286TS	EM2538T	3,866	L1	23.69	378	92.4	208-230/460	45	A	1
		286TS	EM2538T-CI	4,215	L1	23.57	437	92.4	208-230/460	45	A	
		286TS	M2538T	3,170	L1	23.56	320	91.7	208-230/460	46	D	
		324T	EM2539T	3,982	L1	26.69	441	94.1	230/460	46	A	1, 30
		324T	EM2539T-12	4,061	L1	26.69	441	94.1	230/460	46	A	1, 25, 30
	1200	324T	EM2539T-CI	4,341	L1	26.13	579	94.1	230/460	46	A	30
		324T	M2539T	3,205	L1	26.19	354	93	208-230/460	49	D	
	1200	324T	M2539T-12	3,284	L1	26.19	392	93	230/460	49	D	25
364T		EM2540T	5,579	L1	29.81	565	94.1	230/460	50	A	1, 30	
364T		EM2540T-CI	5,876	L1	29.69	827	94.1	230/460	50	A	1, 30	
		364T	M2540T	5,282	L1	28.56	567	93	230/460	49	D	1, 30

(a) See notes on inside back flap.

■ Cast Iron Frame

General Information

Premium Efficient Super-E® Motors

Single Phase Motors

General Purpose Industrial Motors

Severe Duty Motors

Washdown Duty Motors

Explosion Proof Motors

Pump Motors

Light Industrial/Commercial Motors

HVAC Motors



Three Phase, Open Drip Proof, Foot Mounted

Hp	RPM	NEMA Frame	Catalog Number	List Price	Mult. Sym.	"C" Dim.	Aprx. Wt. (lb)	Full Load Efficiency	Voltage	Full Load Amps	EISA Status (a)	Notes (a)	
50	3600	324TS	EM2542T	4,211	L1	25.69	447	93	208-230/460	54	A	1	
		324TS	EM2542T-CI	4,775	L1	24.62	585	93	208-230/460	56	A		
		324TS	M2542T	3,285	L1	24.69	386	92.4	208-230/460	58	D		
	1800	326T	EM2543T	4,394	L1	27.69	472	94.5	230/460	57	A	1, 30	
		326T	EM2543T-12	4,487	L1	27.69	536	94.5	230/460	57	A	1, 25, 30	
		326T	EM2543T-CI	4,790	L1	27.63	578	94.5	230/460	57	A		
		326TS	EM2543TS-12	4,487	L1	26.75	536	94.5	230/460	57	A	1, 25, 30	
		326T	M2543T	3,762	L1	27.19	413	93	208-230/460	60	D		
		326T	M2543T-12	3,855	L1	27.19	390	93	230/460	62	D	1, 25, 30	
		326TS	M2543TS-12	3,855	L1	25.69	382	93	230/460	60	D	1, 25, 30	
	1200	365T	EM2544T	6,737	L1	29.69	807	94.1	230/460	62	A	1, 30	
		365T	EM2544T-CI	7,114	L1	29.69	857	94.1	230/460	62	A		
365T		M2544T	6,359	L1	29.94	610	93	230/460	62	D	1, 30		
60	3600	326TS	EM2546T	5,328	L1	25.19	463	93.6	230/460	65	A	1	
		326TS	M2546T	4,588	L1	24.69	389	93	230/460	68	D	1, 30	
	1800	364T	EM2547T	5,532	L1	30.69	698	95	230/460	68	A	1, 30	
		364T	EM2547T-12	5,648	L1	30.69	698	95	230/460	68	A	1, 25, 30	
		364T	EM2547T-CI	6,029	L1	30.69	704	95	230/460	68	A		
		364TS	EM2547TS-12	5,648	L1	30.69	698	95	230/460	68	A	1, 25, 30	
		364T	M2547T	4,640	L1	27.94	487	93.6	230/460	72	D	1, 30	
		364T	M2547T-12	4,756	L1	27.94	523	93.6	230/460	72	D	1, 25, 30	
	1200	404T	EM2548T	8,300	L1	33.22	850	95	230/460	0	A	1	
		404T	EM2548T-4CI	9,031	L1	34.00	1127	95	460	72	A		
		404T	M2548T	7,568	L1	33.22	830	93.6	230/460	75	D	1, 30	
		364TS	EM2549T	6,989	L1	25.81	507	93.6	208-230/460	82	A	1	
75	3600	364TS	M2549T	5,475	L1	25.81	479	93	230/460	84	D	1, 30	
		365T	EM2551T	6,790	L1	33.72	808	95	230/460	86	A	1, 30	
	1800	365T	EM2551T-12	6,931	L1	33.72	808	95	230/460	86	A	1, 25	
		365T	EM2551T-CI	7,400	L1	29.69	727	95	230/460	86	A		
		365TS	EM2551TS-12	6,931	L1	32.78	808	95	230/460	86	A	1, 25	
		365T	M2551T	5,695	L1	29.94	593	94.1	230/460	87	D	1, 30	
		365T	M2551T-12	5,836	L1	29.94	593	94.1	230/460	87	D	1, 25, 30	
		365TS	M2551TS-12	5,836	L1	27.81	557	94.1	230/460	87	D	1, 25, 30	
	1200	405T	EM2552T-4	10,055	L1	34.00	1092	94.5	460	88	A	1, 25	
		405T	M2552T	8,934	L1	33.22	610	93.6	230/460	94	D	1, 30	
	100	3600	365TS	EM2550T	7,471	L1	26.81	810	93.6	208-230/460	109	A	1
			365TS	M2550T	6,190	L1	26.81	561	93	230/460	113	D	1, 30
1800		404T	EM2555T-12	8,058	L1	36.97	898	95.4	230/460	115	A	1, 25	
		404T	EM2555T-4	7,900	L1	36.97	898	95.4	460	115	A	1, 25	
		404T	EM2555T-CI	8,610	L1	34.00	1039	95.4	230/460	115	A		
		404T	M2555T	6,343	L1	33.22	797	94.1	230/460	119	D	1, 30	
		404T	M2555T-12	6,501	L1	35.22	820	94.1	230/460	119	D	1, 25, 30	
		404TS	EM2555TS-12	8,058	L1	34.16	898	95.4	230/460	115	A	1, 25	
1200		404TS	M2555TS-12	6,501	L1	31.85	578	94.1	230/460	119	D	1, 25, 30	
		444T	EM2583T-4	11,067	L1	39.62	1349	95	460	123	A	1, 25	
		444T	M2583T	9,658	L1	39.62	1312	94.1	230/460	119	D		
		404TS	EM2554T-4	9,376	L1	33.60	1074	94.1	460	138	A	1, 25	
125	3600	404TS	EM2554T-4CI	11,187	L1	31.00	1021	94.1	460	138	A		
		404TS	M2554T-4	7,209	L1	31.85	575	93.6	460	140	D	25	
		405T	EM2559T-4	9,691	L1	34.47	1238	95.4	460	143	A	1, 25	
	1800	405T	EM2559T-4CI	10,562	L1	34.00	1129	95.4	460	143	A		
		405TS	EM2559TS-4	9,691	L1	31.47	1238	95.4	460	143	A	1	
		405T	M2559T-4	7,293	L1	34.47	937	94.5	460	146	D	25	
		405TS	M2559TS-4	7,293	L1	31.10	725	94.5	460	146	D	25	
	1200	445T	EM2557T-4	11,952	L1	39.62	1535	95	460	146	A	1, 25	
		445T	M2557T-4	10,336	L1	39.62	1321	94.1	460	151	D	25	

(a) See notes on inside back flap.

Custom TEFC motors available through 2,250 Hp; Open and WPIL custom motors through 15,000 Hp. Contact your Baldor•Reliance Sales Representative.

■ Cast Iron Frame

General Information

Premium Efficient Super-E® Motors

Single Phase Motors

General Purpose Industrial Motors

Severe Duty Motors

Washdown Duty Motors

Explosion Proof Motors

Pump Motors

Light Industrial/Commercial Motors

HVAC Motors

Three Phase, Open Drip Proof, Foot Mounted

Hp	RPM	NEMA Frame	Catalog Number	List Price	Mult. Sym.	"C" Dim.	Aprx. Wt. (lb)	Full Load Efficiency	Voltage	Full Load Amps	EISA Status (a)	Notes (a)
150	3600	405TS	EM2556T-4	11,566	L1	34.60	831	94.1	460	164	A	1, 25
		405TS	M2556T-4	9,730	L1	31.85	612	93.6	460	164	D	25
	1800	444T	EM2558T-4	10,765	L1	39.62	1405	95.8	460	170	A	1, 25
		444TS	EM2558TS-4	10,765	L1	35.81	1405	95.8	460	170	A	1
		444T	M2558T-4	9,439	L1	39.62	1392	95	460	173	D	25
		444TS	M2558TS-4	9,439	L1	34.88	1386	95	460	173	D	25
1200	445T	EM2560T-4	14,076	L1	39.62	1620	95.4	460	176	A	1, 25	
	445T	M2560T-4	11,171	L1	39.62	1421	94.5	460	178	D	25	
200	3600	444TS	EM2562T-4	13,107	L1	35.88	1326	95	460	217	A	1, 25
		444TS	M2562T-4	10,731	L1	35.88	1321	94.5	460	233	D	25
	1800	445T	EM2563T-4	13,452	L1	39.62	1496	95.8	460	226	A	1, 25
		445T	M2563T-4	11,012	L1	39.62	1495	95	460	228	D	25
	1200	445T	M2564T-4	14,220	L1	39.62	1522	94.5	460	239	D	25
		447T	EM2564T-4	18,503	L1	48.12	1909	95.4	460	234	A	1, 25
250	3600	445TS	M2565T-4	13,369	L1	35.88	1291	94.5	460	272	B	25
		447T	EM2566T-4	15,085	L1	39.62	1592	95.8	460	280	B	1, 25
	445TS	M2566T-4	13,310	L1	39.62	1511	95.4	460	291	B	25	
300	3600	445TS	M2568T-4	20,897	L1	35.88	1378	94.5	460	329	B	25
		445T	EM2569T-4	19,771	L1	39.62	1702	95.8	460	335	B	1, 25
	445T	M2569T-4	17,442	L1	35.88	1528	95.4	460	346	B	25	
350	3600	445TS	M2571T-4	23,915	L1	35.88	1395	95	460	381	B	25
		449TS	M25352T-4	23,915	L1	44.38	1599	95	460	381	B	1, 25, 63
	1800	449T	M2572T-4	23,628	L1	48.18	2039	95.8	460	388	B	1, 25, 63
400	3600	449TS	M25402T-4	28,058	L1	44.38	2300	95.4	460	440	B	1, 25, 63
	1800	449T	M25404T-4	25,644	L1	48.12	2059	95.4	460	448	B	1, 25, 63
450	3600	449TS	M25452T-4	30,896	L1	44.42	1819	95.8	460	472	B	1, 63
	1800	449T	M25454T-4	29,002	L1	48.18	2229	95.8	460	550	B	2, 20, 25, 63

(a) See notes on inside back flap.

Custom TEFC motors available through 2,250 Hp; Open and WPIL custom motors through 15,000 Hp. Contact your Baldor•Reliance Sales Representative.

■ Cast Iron Frame

General Information

Premium Efficient Super-E® Motors

Single Phase Motors

General Purpose Industrial Motors

Severe Duty Motors

Washdown Duty Motors

Explosion Proof Motors

Pump Motors

Light Industrial/Commercial Motors

HVAC Motors

**Three Phase,  
Open Drip Proof,  
C-Face,  
Foot Mounted**

**1/3 thru 100 Hp**

**NEMA 56C thru 404TC**

**Applications:** Pumps, fans, conveyors, machine tools, gear reducers.



**Features:** Pressure cast aluminum end plates with ribbed design for rigidity, ball bearings, locked drive end bearing, heavy gauge steel frame. Super-E® motors have NEMA Premium® efficiency and 3 year warranty.

Hp	RPM	NEMA Frame	Catalog Number	List Price	Mult. Sym.	"C" Dim.	Aprx. Wt. (lb)	Full Load Efficiency	Voltage	Full Load Amps	EISA Status (a)	Notes (a)
1/3	1800	56C	CM3104	287	K	10.10	21	68	230/460	0.8	C	30
	3600	56C	CM3107	299	K	10.10	20	68	230/460	1	C	30
1/2	1800	56C	CM3108	325	K	10.10	23	74	230/460	1	C	30
	3600	56C	CM3112	366	K	10.73	27	75.5	208-230/460	1.5	C	
3/4	1800	143TC	CEM3116T	588	L1	14.38	33	85.5	230/460	1.5	A	1, 30
	3600	143TC	CM3116T	421	L1	11.62	31	82.5	208-230/460	1.6	D	
1 1/2	1800	145TC	CEM3154T	605	L1	13.00	41	86.5	230/460	2.1	A	1, 30
	3600	145TC	CM3154T	478	L1	11.62	35	84	208-230/460	2.4	D	
2	1800	56C	CM3155	531	K	11.60	32	80	208-230/460	2.9	C	
	3600	145TC	CEM3157T	646	L1	13.00	47	86.5	230/460	2.8	A	1, 30
3	1800	145TC	CM3157T	488	L1	11.62	39	84	208-230/460	3.2	D	
	3600	145TC	CEM3158T	673	L1	13.00	53	85.5	230/460	3.7	A	1, 30
5	1800	182TC	CEM3211T	763	L1	15.00	72	89.5	230/460	4	A	1, 30
	3600	182TC	CM3211T	576	L1	14.63	67	86.5	208-230/460	4	D	
7 1/2	1800	182TC	CEM3212T	760	L1	13.62	80	86.5	208-230/460	6	A	1
	3600	182TC	CM3212T	608	L1	14.00	65	85.5	208-230/460	6.1	D	
10	1800	184TC	CEM3218T	801	L1	16.50	88	89.5	230/460	6.6	A	1, 30
	3600	184TC	CM3218T	602	L1	15.00	71	87.5	208-230/460	6.9	D	
15	1800	184TC	CEM3219T	1,217	L1	15.00	89	88.5	230/460	9	A	1, 30
	3600	184TC	CM3219T	857	L1	15.00	68	87.5	208-230/460	8.7	D	
20	1800	213TC	CEM3311T	1,205	L1	16.32	120	91	230/460	9.6	A	1, 30
	3600	213TC	CM3311T	886	L1	16.99	102	88.5	208-230/460	10	D	
25	1800	213TC	CEM3312T	1,406	L1	17.45	132	89.5	230/460	11.5	A	1, 30
	3600	213TC	CM3312T	1,079	L1	17.06	108	88.5	208-230/460	11.6	D	
30	1800	215TC	CEM3313T	1,430	L1	17.45	130	91.7	230/460	12.5	A	1, 30
	3600	215TC	CM3313T	1,054	L1	17.06	129	89.5	208-230/460	13.4	D	
40	1800	215TC	CEM3314T	1,939	L1	17.45	150	90.2	230/460	17	A	1, 30
	3600	215TC	CM3314T	1,512	L1	17.06	129	89.5	208-230/460	17.5	D	
50	1800	254TC	CEM2513T	2,115	L1	19.56	220	93	230/460	17.7	A	1, 30
	3600	254TC	CM2513T	1,668	L1	19.56	172	91	208-230/460	19	D	
60	1800	254TC	CEM2514T	2,400	L1	21.69	210	91	230/460	22.5	A	1, 30
	3600	254TC	CM2514T	2,041	L1	21.69	158	90.2	230/460	24	D	
75	1800	256TC	CEM2515T	2,575	L1	21.69	240	93	230/460	23.5	A	1, 30
	3600	256TC	CM2515T	2,059	L1	22.06	234	91.7	230/460	24	D	
90	1800	256TC	CEM2516T	2,826	L1	21.69	245	91.7	230/460	28	A	1, 30
	3600	256TC	CM2516T	2,410	L1	21.69	186	91	230/460	29	D	
100	1800	284TC	CEM2531T	3,299	L1	26.19	335	93.6	230/460	30	A	1, 30
	3600	284TC	CM2531T	2,657	L1	23.44	226	91.7	230/460	31	D	
125	1800	286TC	CEM2535T	3,559	L1	26.19	375	94.1	230/460	35	A	1, 30
	3600	286TC	CM2535T	3,021	L1	24.94	249	92.4	230/460	36	D	
150	1800	324TC	CEM2539T	4,689	L1	27.94	533	94.1	230/460	46	A	1, 30
	3600	324TC	CM2539T	3,912	L1	26.19	378	93	230/460	49	D	

(a) See notes on inside back flap.

General Information

Premium Efficient Super-E® Motors

Single Phase Motors

General Purpose Industrial Motors

Severe Duty Motors

Washdown Duty Motors

Explosion Proof Motors

Pump Motors

Light Industrial/Commercial Motors

HVAC Motors

63

Three Phase, Open Drip Proof, C-Face, Foot Mounted

Hp	RPM	NEMA Frame	Catalog Number	List Price	Mult. Sym.	"C" Dim.	Aprx. Wt. (lb)	Full Load Efficiency	Voltage	Full Load Amps	EISA Status (a)	Notes (a)
50	1800	326TC	CEM2543T	5,103	L1	28.94	475	94.5	230/460	57	A	1, 30
		326TC	CM2543T	4,470	L1	27.19	382	93	230/460	62	D	30
60	1800	364TC	CEM2547T	6,347	L1	30.69	468	95	230/460	68	A	1, 30
		364TC	CM2547T	5,455	L1	27.94	474	93.6	230/460	72	D	30
75	1800	365TC	CEM2551T	7,605	L1	35.22	820	95	230/460	86	A	1
		365TC	CM2551T	6,510	L1	29.94	608	94.1	230/460	87	D	30
100	1800	404TC	CEM2555T	8,802	L1	36.97	920	95.4	230/460	115	A	1
		404TC	CM2555T	7,245	L1	35.22	538	94.1	230/460	119	D	30

(a) See notes on inside back flap.

Three Phase, Open Drip Proof, C-Face, Footless

1/4 thru 30 Hp

NEMA 56C thru 284TC

**Applications:** Pumps, fans, conveyors, machine tools, gear reducers and other applications requiring a NEMA C-face motor.



**Features:** Pressure cast aluminum end plates with ribbed design for rigidity. Ball bearings with a locked drive end bearing and heavy-gauge steel frames.

Hp	RPM	NEMA Frame	Catalog Number	List Price	Mult. Sym.	"C" Dim.	Aprx. Wt. (lb)	Full Load Efficiency	Voltage	Full Load Amps	EISA Status (a)	Notes (a)
1/4	1800	56C	KM3003	274	K	11.35	19	64	230/460	0.7	C	30
		56C	VM3104	282	LS	11.22	20	68	230/460	0.8	C	30
1/2	1800	56C	VM3107	295	K	11.22	19	68	230/460	1	C	30
		56C	VM3108	320	LS	11.22	22	74	230/460	1	C	30
		56C	VM3109	497	K	12.35	25	72	230/460	1.2	C	30
3/4	1800	56C	VM3111	415	K	11.22	21	74	230/460	1.3	C	30
		56C	VM3112	354	LS	11.84	25	75.5	208-230/460	1.5	C	
		56C	VM3153	534	K	13.35	33	77	208-230/460	1.5	C	
		143TC	VM3153T	534	L1	13.41	33	77	208-230/460	1.5	C	
1	1800	56C	VM3115	393	K	11.22	23	75.5	230/460	1.8	C	30
		56C	VM3116	397	LS	12.35	29	78.5	208-230/460	1.7	C	1
		143TC	VM3116T	431	LS	12.41	30	82.5	208-230/460	1.7	B	1
		145TC	VM3156T	599	L1	13.30	37	80	208-230/460	1.7	B	
1 1/2	3600	56C	VM3120	437	K	12.72	30	80	208-230/460	2.3	C	
		143TC	VM3120T	504	L1	13.10	31	82.5	208-230/460	2.3	B	
	1800	56C	VM3154	456	LS	13.22	34	77	208-230/460	2.8	C	
		145TC	VM3154T	502	LS	13.60	35	84	208-230/460	2.8	B	
	1200	145TC	VM3159T	653	L1	13.30	41	84	230/460	2.5	B	
2	3600	56C	VM3155	508	K	13.22	32	80	208-230/460	2.9	C	
		143TC	VM3155T	556	L1	13.10	33	84	208-230/460	2.9	B	
	1800	56C	VM3157	472	LS	13.24	38	78.5	208-230/460	3.2	C	
		145TC	VM3157T	517	LS	13.30	38	84	208-230/460	3.2	B	
	1200	184TC	VM3215T	680	L1	15.18	58	85.5	230/460	3.4	B	

(a) See notes on inside back flap.

General Information

Premium Efficient Super-E® Motors

Single Phase Motors

General Purpose Industrial Motors

Severe Duty Motors

Washdown Duty Motors

Explosion Proof Motors

Pump Motors

Light Industrial/Commercial Motors

HVAC Motors

Three Phase, Open Drip Proof, C-Face, Footless

Hp	RPM	NEMA Frame	Catalog Number	List Price	Mult. Sym.	"C" Dim.	Aprx. Wt. (lb)	Full Load Efficiency	Voltage	Full Load Amps	EISA Status (a)	Notes (a)
3	3600	56C	VM3158	522	K	13.24	41	80	208-230/460	4	C	
		145TC	VM3158T	591	L1	13.30	40	84	208-230/460	4	B	
	1800	145TC	VM3161T	605	L1	14.18	53	86.5	208-230/460	4.1	B	1
		182TC	VM3211T	567	L1	15.18	61	86.5	208-230/460	4.1	B	1
		184C	VM3211	739	L1	14.18	50	86.5	208-230/460	4.1	B	1
1200	213TC	VM3305T	865	L1	17.06	98	86.5	208-230/460	4.8	B	1	
5	3600	182TC	VM3212T	640	L1	15.18	62	85.5	208-230/460	6.5	B	
	1800	184C	VM3218	588	L1	15.68	66	87.5	208-230/460	7	B	
		184TC	VM3218T	621	L1	16.55	65	87.5	208-230/460	7	B	
1200	215TC	VM3309T	1,136	L1	18.68	113	87.5	208-230/460	7.9	B		
7 1/2	3600	184TC	VM3219T	785	L1	16.55	75	87.5	208-230/460	9	B	
	1800	213TC	VM3311T	917	L1	18.68	96	88.5	208-230/460	10.4	B	
10	3600	213TC	VM3312T	1,125	L1	18.68	107	88.5	208-230/460	11.6	B	
	1800	215TC	VM3313T	1,098	L1	18.68	129	89.5	208-230/460	13.4	B	
15	3600	215TC	VM3314T	1,593	L1	18.68	125	89.5	208-230/460	17.5	B	1
	1800	254TC	VM2513T	1,714	L1	20.42	141	91	230/460	19.1	B	
20	3600	254TC	VM2514T	2,118	L1	20.42	146	90.2	230/460	23	B	1
	1800	256TC	VM2515T	2,135	L1	19.29	211	91	230/460	24	B	30
25	3600	254TC	VM2516T	2,507	LS	22.00	180	91	230/460	30	B	30
	1800	284TC	VM2531T	2,722	L1	26.53	226	91.7	230/460	31	B	30
30	3600	284TSC	VM2534T	2,833	L1	24.15	234	91	230/460	34	B	30

(a) See notes on inside back flap.

Medium Voltage, Three Phase, 2300/4000 Volts, WPI & WPII, Foot Mounted



1,250 Hp

O5810 Frame

**Applications:** Pumps, compressors, fans, blowers, conveyors and other general purpose applications.

**Features:** Premium efficiency (95% or higher), Epoxy ester enamel paint, stainless steel breather drains, ground lug in conduit box, cast iron frame, end shields, DE shaft slinger and shaft cap, ODE shaft cap, epoxy coated rotor OD and stator ID (including windings), lead separator gasket between frame and conduit box. Stock motors include a three year warranty, precision balance, 100 ohm platinum winding RTD's and space heaters.

Hp	RPM	NEMA Frame	Encl.	Catalog Number	List Price	Mult. Sym.	"C" Dim.	Aprx. Wt. (lb)	Full Load Efficiency	Voltage	Full Load Amps	EISA Status (a)	Notes (a)
1,250	3600	O5810	WPII	EM251252S-2340	122,176	LM	66.50	7700	95.7	2300/4000	160	C	1, 27, 64
	1800	O5810	WPII	EM251254S-2340	120,459	LM	63.99	7700	95.4	2300/4000	164	C	1, 27, 64

(a) See notes on inside back flap.

1250 Hp motors are also rated at 1500 Hp at 1.0 service factor.

General Information

Premium Efficient Super-E® Motors

Single Phase Motors

General Purpose Industrial Motors

Severe Duty Motors

Washdown Duty Motors

Explosion Proof Motors

Pump Motors

Light Industrial/Commercial Motors

HVAC Motors



**Three Phase,  
Totally Enclosed,  
460 & 230/460 Volts,  
Foot Mounted**

**1 thru 400 Hp**

**NEMA 143T thru 449T**

**Applications:** Petro-chemical plants, mines, foundries, pulp and paper plants, waste management facilities, chemical plants, tropical climates and other processing industry applications requiring protection against corrosion caused by severe environmental operating conditions.

**Features:** ECP motors are XEX designs. 1.15 Service Factor, corrosion resistant epoxy finish, regreasable ball or roller bearings, oversized rotatable cast iron conduit box, cast iron frames, V-Ring shaft seal, moisture resistant copper windings, Class F insulation, stainless steel nameplate and corrosion resistant hardware. ECP/XEX Super-E® motors have NEMA Premium® efficiency and 3 year warranty. Positive lubrication system (PLS) on 360 frames and larger.



Hp	RPM	NEMA Frame	Encl.	Catalog Number	List Price	Mult. Sym.	"C" Dim.	Aprx. Wt. (lb)	Full Load Efficiency	Voltage	Full Load Amps	EISA Status (a)	Notes (a)	
1	3600	143T	TEFC	CP3580T-4	708	SD	12.75	50	77	460	1.5	D	1	
		143T	TEFC	ECP3580T	837	SD	12.88	55	84	208-230/460	1.4	A	1	
		143T	TEFC	ECP3580T-4	837	SD	12.88	55	84	460	1.4	A	1	
		143T	TENV	ENCP3580T-4	876	SD	11.38	56	84	460	1.3	C	1	
	1800	143T	TEFC	CP3581T	714	SD	12.75	55	82.5	208-230/460	1.6	D	1	
		143T	TEFC	CP3581T-4	714	SD	12.75	56	82.5	460	1.7	D	1	
		143T	TEFC	ECP3581T	920	SD	12.88	66	87.5	208-230/460	1.5	A	1	
		143T	TEFC	ECP3581T-4	920	SD	12.88	65	87.5	460	1.5	A	1	
	1200	143T	TENV	ENCP3581T-4	958	SD	11.36	60	85.5	460	1.4	C	1	
		145T	TEFC	CP3582T	849	SD	12.75	64	80	208-230/460	1.8	D	1	
		145T	TEFC	CP3582T-4	849	SD	12.75	65	80	460	1.8	D	1	
		145T	TEFC	ECP3582T	1,016	SD	12.88	67	82.5	208-230/460	1.8	A	1	
	1 1/2	3600	145T	TEFC	ECP3582T-4	1,016	SD	12.88	69	82.5	460	1.8	A	1
			184T	TEFC	ECP3687T-4	1,427	SD	15.93	143	82.5	460	1.8	B	1
			143T	TEFC	CP3583T-4	803	SD	12.75	59	82.5	460	2.1	D	1
			143T	TEFC	ECP3583T	952	SD	12.88	71	85.5	208-230/460	2	A	1
1800		143T	TEFC	ECP3583T-4	952	SD	12.88	66	85.5	460	2	A	1	
		145T	TEFC	CP3584T	729	SD	12.75	60	84	208-230/460	2.4	D	1	
		145T	TEFC	CP3584T-4	729	SD	12.75	62	84	460	2.1	D	1	
		145T	TEFC	ECP3584T	937	SD	12.88	68	88.5	208-230/460	2.1	A	1	
1200		145T	TEFC	ECP3584T-4	937	SD	12.88	71	88.5	460	2.1	A	1	
		182T	TEFC	CP3667T	977	SD	15.62	127	85.5	208-230/460	2.2	D	1	
		182T	TEFC	CP3667T-4	977	SD	15.62	125	85.5	460	2.2	D	1	
		182T	TEFC	ECP3667T	1,189	SD	15.93	142	87.5	208-230/460	2.4	A	1	
900		182T	TEFC	ECP3667T-4	1,189	SD	15.93	135	87.5	460	2.4	A	1	
		184T	TEFC	ECP3668T-4	1,776	SD	15.93	142	84	460	2.4	B	1	
		145T	TEFC	CP3586T-4	855	SD	12.75	64	84	460	2.6	D	1	
		145T	TEFC	ECP3586T	996	SD	12.88	73	86.5	208-230/460	2.5	A	1	
2	3600	145T	TEFC	ECP3586T-4	996	SD	12.88	72	86.5	460	2.5	A	1	
		145T	TEFC	CP3587T	749	SD	12.75	64	84	208-230/460	3.1	D	1	
		145T	TEFC	CP3587T-4	749	SD	12.75	64	84	460	2.8	D	1	
	1800	145T	TEFC	ECP3587T	978	SD	12.88	76	88.5	208-230/460	2.8	A	1	
		145T	TEFC	ECP3587T-4	978	SD	12.88	73	86.5	460	2.7	A	1	
		184T	TEFC	CP3664T	1,045	SD	15.62	132	86.5	208-230/460	2.9	D	1	
	1200	184T	TEFC	CP3664T-4	1,045	SD	15.62	124	86.5	460	2.9	D	1	
		184T	TEFC	ECP3664T	1,204	SD	15.93	150	88.5	208-230/460	3	A	1	
		184T	TEFC	ECP3664T-4	1,204	SD	15.93	137	88.5	460	2.8	A	1	
		184T	TEFC	ECP3664T-4	1,204	SD	15.93	137	88.5	460	2.8	A	1	
	900	213T	TEFC	ECP3772T-4	2,240	SD	20.19	204	85.5	460	3.2	B	1	

(a) See notes on inside back flap.

All ratings are 1.15 service factor at 40°C ambient. All ratings meet 50°C ambient at 1.00 service factor and weatherproof intent of IEEE 45 and USCG 259 marine duty (below deck).

Custom TEFC motors available through 2250 Hp; Open and WPII motors through 15000 Hp. Contact your Baldor•Reliance Sales Representative.

**FOR OTHER 208-230/460 VOLT REQUIREMENTS, PLEASE SEE DIRTY DUTY MOTORS ON PAGE 84.**

■ Cast Iron Frame

General Information

Premium Efficient Super-E® Motors

Single Phase Motors

General Purpose Industrial Motors

Severe Duty Motors

Washdown Duty Motors

Explosion Proof Motors

Pump Motors

Light Industrial/Commercial Motors

HVAC Motors

**Three Phase, Totally Enclosed, 460 & 230/460 Volts, Foot Mounted**

Hp	RPM	NEMA Frame	Encl.	Catalog Number	List Price	Mult. Sym.	"C" Dim.	Aprx. Wt. (lb)	Full Load Efficiency	Voltage	Full Load Amps	EISA Status (a)	Notes (a)
3	3600	182T	TEFC	CP3660T-4	1,027	SD	15.62	109	85.5	460	4	D	1
		182T	TEFC	ECP3660T	1,178	SD	15.62	104	88.5	230/460	3.6	A	1
		182T	TEFC	ECP3660T-4	1,178	SD	15.62	121	88.5	460	3.6	A	1
	1800	182T	TEFC	CP3661T	1,053	SD	15.62	120	87.5	230/460	3.9	D	1, 30
		182T	TEFC	CP3661T-4	1,053	SD	15.62	121	87.5	460	3.9	D	1
		182T	TEFC	ECP3661T	1,238	SD	17.12	139	89.5	230/460	4.2	A	1, 30
	1200	182T	TEFC	ECP3661T-4	1,238	SD	15.62	134	89.5	460	4.2	A	1
		213T	TEFC	CP3764T	1,418	SD	19.31	152	87.5	208-230/460	4.4	D	1
		213T	TEFC	CP3764T-4	1,418	SD	19.31	154	87.5	460	4.4	D	1
	900	213T	TEFC	ECP3764T	1,738	SD	15.93	181	89.5	230/460	4.2	A	1, 30
		213T	TEFC	ECP3764T-4	1,738	SD	15.93	186	89.5	460	4.2	A	1
		215T	TEFC	ECP3775T-4	2,429	SD	20.19	216	85.5	460	4.7	B	1
5	3600	184T	TEFC	CP3663T-4	1,295	SD	15.62	127	87.5	460	6.1	D	1
		184T	TEFC	ECP3663T	1,449	SD	15.93	134	88.5	230/460	5.6	A	1
		184T	TEFC	ECP3663T-4	1,449	SD	15.93	127	88.5	460	6	A	1
	1800	184T	TEFC	CP3665T	1,087	SD	15.62	130	87.5	208-230/460	6.5	D	1
		184T	TEFC	CP3665T-4	1,087	SD	15.62	127	87.5	460	6.5	D	1
		184T	TEFC	ECP3665T	1,260	SD	15.93	139	89.5	230/460	6.6	A	1, 30
	1200	184T	TEFC	ECP3665T-4	1,260	SD	15.93	144	89.5	460	6.6	A	1
		215T	TEFC	CP3768T	1,650	SD	19.31	164	87.5	208-230/460	6.8	D	1
		215T	TEFC	CP3768T-4	1,650	SD	19.31	163	87.5	460	6.8	D	1
	900	215T	TEFC	ECP3768T	1,761	SD	20.19	199	89.5	230/460	6.8	A	1, 30
		215T	TEFC	ECP3768T-4	1,761	SD	20.19	197	89.5	460	6.8	A	1
		254T	TEFC	ECP2280T-4	3,866	SD	24.56	337	89.5	460	7.3	B	1
7 1/2	3600	213T	TEFC	CP3769T-4	1,630	SD	19.31	163	88.5	460	9	D	1
		213T	TEFC	ECP3769T	1,891	SD	19.31	181	90.2	230/460	8.6	A	1
		213T	TEFC	ECP3769T-4	1,891	SD	19.31	180	90.2	460	8.6	A	1
	1800	213T	TEFC	CP3770T	1,449	SD	19.31	158	89.5	208-230/460	9.5	D	1
		213T	TEFC	CP3770T-4	1,449	SD	19.31	168	89.5	460	10.3	D	1
		213T	TEFC	ECP3770T	1,586	SD	20.19	210	91.7	230/460	9.4	A	1
	1200	213T	TEFC	ECP3770T-4	1,586	SD	20.19	210	91.7	460	9.4	A	1
		254T	TEFC	CP2276T	1,793	SD	24.56	301	89.5	208-230/460	9.8	D	1
		254T	TEFC	CP2276T-4	1,793	SD	23.56	296	89.5	460	9.8	D	1
	900	254T	TEFC	ECP2276T	2,520	SD	25.07	344	91.7	230/460	10.7	A	1
		254T	TEFC	ECP2276T-4	2,520	SD	25.07	308	91.7	460	10.7	A	1
		256T	TEFC	ECP2401T-4	4,421	SD	24.56	332	90.2	460	10.5	B	1
10	3600	215T	TEFC	CP3771T-4	1,744	SD	19.31	168	89.5	460	11.7	D	1
		215T	TEFC	ECP3771T	2,014	SD	19.50	203	91.7	230/460	11.2	A	1
		215T	TEFC	ECP3771T-4	2,014	SD	19.50	215	91.7	460	11.2	A	1
	1800	215T	TEFC	CP3774T	1,571	SD	19.31	178	89.5	208-230/460	12.2	D	1
		215T	TEFC	CP3774T-4	1,571	SD	19.31	179	89.5	460	13	D	1
		215T	TEFC	ECP3774T	1,899	SD	19.50	231	92.4	230/460	12.5	A	1
	1200	215T	TEFC	ECP3774T-4	1,899	SD	19.50	231	92.4	460	12.5	A	1
		256T	TEFC	CP2332T	2,534	SD	24.56	319	89.5	230/460	12.9	D	1
		256T	TEFC	CP2332T-4	2,534	SD	24.56	308	89.5	460	12.9	D	1
	900	256T	TEFC	ECP2332T	3,274	SD	25.07	354	91.7	230/460	14.2	A	1
		256T	TEFC	ECP2332T-4	3,274	SD	25.07	300	91.7	460	14.2	A	1
		284T	TEFC	ECP2402T-4	5,157	SD	27.44	468	90.2	460	13.7	B	1

(a) See notes on inside back flap.

All ratings are 1.15 service factor at 40°C ambient. All ratings meet 50°C ambient at 1.00 service factor and weatherproof intent of IEEE 45 and USCG 259 marine duty (below deck).

Custom TEFC motors available through 2250 Hp; Open and WPII motors through 15000 Hp. Contact your Baldor•Reliance Sales Representative.

**FOR OTHER 208-230/460 VOLT REQUIREMENTS, PLEASE SEE DIRTY DUTY MOTORS ON PAGE 84.**

■ Cast Iron Frame

General Information

Premium Efficient Super-E® Motors

Single Phase Motors

General Purpose Industrial Motors

Severe Duty Motors

Washdown Duty Motors

Explosion Proof Motors

Pump Motors

Light Industrial/Commercial Motors

HVAC Motors

Three Phase, Totally Enclosed, 460 & 230/460 Volts, Foot Mounted

Hp	RPM	NEMA Frame	Encl.	Catalog Number	List Price	Mult. Sym.	"C" Dim.	Aprx. Wt. (lb)	Full Load Efficiency	Voltage	Full Load Amps	EISA Status (a)	Notes (a)
15	3600	215T	TEFC	CP3773T-4	2,197	SD	19.32	226	90.2	460	17	D	1
		254T	TEFC	CP2394T-4	2,245	SD	24.56	291	90.2	460	17.6	D	1
		254T	TEFC	ECP2294T	2,576	SD	24.69	350	91.7	230/460	17.2	A	1
		254T	TEFC	ECP2394T-4	2,576	SD	25.07	239	91.7	460	17.2	A	1
	1800	254T	TEFC	CP2333T	2,087	SD	24.56	299	91	208-230/460	19.5	D	1
		254T	TEFC	CP2333T-4	2,087	SD	21.94	297	91	460	18.5	D	1
		254T	TEFC	ECP2333T	2,420	SD	25.07	255	92.4	230/460	18.5	A	1
		254T	TEFC	ECP2333T-4	2,420	SD	25.07	255	92.4	460	18.5	A	1
	1200	284T	TEFC	CP4100T	3,563	SD	27.56	383	90.2	230/460	21	D	1, 30
		284T	TEFC	CP4100T-4	3,563	SD	26.03	386	90.2	460	21	D	1
		284T	TEFC	ECP4100T	3,753	SD	27.44	439	92.4	230/460	18.7	A	1
		284T	TEFC	ECP4100T-4	3,753	SD	27.44	441	92.4	460	18.7	A	1
900	286T	TEFC	ECP2395T-4	6,884	SD	27.44	442	90.2	460	20	B	1	
20	3600	256T	TEFC	CP4106T-4	2,276	SD	24.56	298	90.2	460	23.8	D	1
		256T	TEFC	ECP4106T	3,005	SD	24.69	265	92.4	230/460	22	A	1
		256T	TEFC	ECP4106T-4	3,005	SD	25.07	265	92.4	460	23	A	1
	1800	256T	TEFC	CP2334T	2,324	SD	24.56	316	91	230/460	25.4	D	1
		256T	TEFC	CP2334T-4	2,324	SD	24.56	310	91	460	25.4	D	1
		256T	TEFC	ECP2334T	2,596	SD	25.07	303	93	230/460	24	A	1
		256T	TEFC	ECP2334T-4	2,596	SD	24.69	303	93	460	24	A	1
	1200	286T	TEFC	CP4102T	4,153	SD	27.44	425	90.2	230/460	27	D	1
		286T	TEFC	CP4102T-4	4,153	SD	27.44	414	90.2	460	27	D	1
		286T	TEFC	ECP4102T	5,100	SD	27.44	453	92.4	230/460	24.8	A	1
		286T	TEFC	ECP4102T-4	5,100	SD	27.44	456	92.4	460	24.8	A	1
	900	324T	TEFC	ECP4112T-4	7,848	SD	30.16	608	91	460	28	B	1
25	3600	284TS	TEFC	CP4107T-4	2,850	SD	26.06	426	91	460	29.7	D	1
		284TS	TEFC	ECP4107T	3,611	SD	24.66	299	92.4	230/460	27	A	1
		284TS	TEFC	ECP4107T-4	3,611	SD	26.06	449	93	460	28.1	A	1
	1800	284T	TEFC	CP4103T	2,820	SD	27.44	411	92.4	230/460	31	D	1
		284T	TEFC	CP4103T-4	2,820	SD	27.44	414	92.4	460	29	D	1
		284T	TEFC	ECP4103T	3,396	SD	27.93	395	93.6	230/460	30	A	1
		284T	TEFC	ECP4103T-4	3,396	SD	27.93	395	93.6	460	30	A	1
	1200	324T	TEFC	CP4111T	5,066	SD	30.44	575	91.7	230/460	33	D	1
		324T	TEFC	CP4111T-4	5,066	SD	30.44	587	91.7	460	33	D	1
		324T	TEFC	ECP4111T	5,329	SD	30.16	611	93	230/460	32	A	1
		324T	TEFC	ECP4111T-4	5,329	SD	30.16	648	93	460	32	A	1
	30	3600	286TS	TEFC	CP4108T-4	3,117	SD	24.66	411	91	460	34	D
286TS			TEFC	ECP4108T	4,402	SD	26.06	450	93	230/460	33.9	A	1
286TS			TEFC	ECP4108T-4	4,402	SD	26.06	457	93	460	33.9	A	1
1800		286T	TEFC	CP4104T	3,383	SD	27.44	427	92.4	230/460	37	D	1
		286T	TEFC	CP4104T-4	3,383	SD	27.44	417	92.4	460	36	D	1
		286T	TEFC	ECP4104T	4,033	SD	27.93	459	94.1	230/460	36	A	1
		286T	TEFC	ECP4104T-4	4,033	SD	27.93	385	94.1	460	36	A	1
1200		326T	TEFC	CP4117T	5,374	SD	30.44	608	91.7	230/460	38.9	D	1
		326T	TEFC	CP4117T-4	5,374	SD	30.44	565	91.7	460	39	D	1
		326T	TEFC	ECP4117T	6,870	SD	30.16	712	93	230/460	39	A	1
		326T	TEFC	ECP4117T-4	6,870	SD	30.16	695	93	460	39	A	1

(a) See notes on inside back.

All ratings are 1.15 service factor at 40°C ambient. All ratings meet 50°C ambient at 1.00 service factor and weatherproof intent of IEEE 45 and USCG 259 marine duty (below deck).

Custom TEFC motors available through 2250 Hp; Open and WPII motors through 15000 Hp. Contact your Baldor•Reliance Sales Representative.

**FOR OTHER 208-230/460 VOLT REQUIREMENTS, PLEASE SEE DIRTY DUTY MOTORS ON PAGE 84.**

■ Cast Iron Frame

General Information

Premium Efficient Super-E® Motors

Single Phase Motors

General Purpose Industrial Motors

Severe Duty Motors

Washdown Duty Motors

Explosion Proof Motors

Pump Motors

Light Industrial/Commercial Motors

HVAC Motors

**Three Phase, Totally Enclosed, 460 & 230/460 Volts, Foot Mounted**

Hp	RPM	NEMA Frame	Encl.	Catalog Number	List Price	Mult. Sym.	"C" Dim.	Aprx. Wt. (lb)	Full Load Efficiency	Voltage	Full Load Amps	EISA Status <sup>(a)</sup>	Notes <sup>(a)</sup>	
40	3600	324TS	TEFC	CP4109T-4	4,511	SD	28.94	587	91.7	460	45	D	1	
		324TS	TEFC	ECP4109T	6,048	SD	28.66	528	93.6	230/460	45	A	1	
		324TS	TEFC	ECP4109T-4	6,048	SD	28.66	608	93.6	460	47	A	1	
	1800	324T	TEFC	CP4110T	4,501	SD	30.44	628	93	230/460	49.5	D	1	
		324T	TEFC	CP4110T-4	4,501	SD	30.44	617	93	460	47	D	1	
		324T	TEFC	ECP4110T	5,276	SD	30.16	647	94.5	230/460	46	A	1	
	1200	324T	TEFC	ECP4110T-4	5,276	SD	30.16	659	94.5	460	46	A	1	
		364T	TEFC	CP4308T	7,439	SD	33.44	817	93	230/460	49.4	D	1	
		364T	TEFC	ECP4308T	8,562	SD	33.44	845	94.1	230/460	49.4	A	1	
	50	3600	326TS	TEFC	ECP4114T	6,338	SD	28.66	587	94.1	230/460	56	A	1
326TS			TEFC	ECP4114T-4	6,338	SD	28.66	647	94.1	460	56	A	1	
1800		326T	TEFC	CP4115T	5,313	SD	30.44	634	93	230/460	63.2	D	1	
		326T	TEFC	CP4115T-4	5,313	SD	30.44	628	93	460	60	D	1	
		326T	TEFC	ECP4115T	6,193	SD	30.16	732	94.5	230/460	57	A	1	
1200		326T	TEFC	ECP4115T-4	6,193	SD	30.16	655	94.5	460	57	A	1	
		365T	TEFC	CP4312T	7,923	SD	32.84	820	93	230/460	61	D	1	
		365T	TEFC	ECP4312T	9,120	SD	33.44	856	94.1	230/460	61	A	1	
60		3600	364TS	TEFC	ECP4310T	9,198	SD	31.31	748	95	230/460	65.1	A	1
			364TS	TEFC	ECP4310T-4	9,198	SD	31.31	901	95	460	65.1	A	1
	1800	364T	TEFC	CP4314T	7,191	SD	33.44	785	93.6	230/460	73.4	D	1	
		364T	TEFC	CP4314T-4	7,191	SD	33.44	793	93.6	460	71	D	1	
		364T	TEFC	ECP4314T	8,301	SD	33.44	900	95	230/460	69	A	1	
	1200	364T	TEFC	ECP4314T-4	8,301	SD	33.44	905	95	460	68	A	1	
		404T	TEFC	CP4403T	11,065	SD	38.31	1173	93.6	230/460	70	D	1	
		404T	TEFC	ECP4403T	12,458	SD	38.31	1257	94.5	230/460	72	A	1	
	75	3600	365TS	TEFC	ECP4313T	10,282	SD	31.31	964	95	230/460	80.7	A	1
			365TS	TEFC	ECP4313T-4	10,282	SD	31.31	966	95	460	80.7	A	1
1800		365T	TEFC	CP4316T	8,643	SD	33.44	874	94.1	230/460	87	D	1	
		365T	TEFC	CP4316T-4	8,643	SD	33.44	815	94.1	460	86	D	1	
		365T	TEFC	ECP4316T	9,699	SD	33.44	857	95.4	230/460	85.9	A	1	
1200		365T	TEFC	ECP4316T-4	9,699	SD	33.44	938	95.4	460	85.9	A	1	
		405T	TEFC	CP4404T	13,175	SD	38.31	1218	93.6	230/460	88	D	1	
		405T	TEFC	ECP4404T	15,161	SD	38.31	1305	95	230/460	88	A	1	
100		3600	405TS	TEFC	ECP4402T	12,924	SD	35.31	1119	94.1	230/460	116	A	1
			405TS	TEFC	ECP4402T-4	12,924	SD	35.31	1266	95	460	110	A	1
	1800	405T	TEFC	CP4400T-4	9,904	SD	38.31	1258	94.5	460	113	D	1	
		405T	TEFC	ECP4400T-4	12,732	SD	38.31	1329	95.4	460	112	A	1	
		405TS	TEFC	ECP4400TS-4	12,732	SD	35.31	1292	95.4	460	112	A	1	
	1200	444T	TEFC	ECP4409T-4	16,676	SD	44.75	1765	95	460	115	A	1	
		3600	444TS	TEFC	ECP4412T	15,187	SD	40.98	1654	95	230/460	144	A	1
			444TS	TEFC	ECP4412T-4	15,187	SD	40.98	1712	95.4	460	137	A	1
	125	1800	444T	TEFC	ECP4410T-4	15,052	SD	44.75	1781	95.8	460	139	A	1
		1200	445T	TEFC	ECP4411T-4	18,839	SD	44.75	1884	95.4	460	143	A	1
3600		445TS	TEFC	ECP4413T-4	17,804	SD	40.98	1953	96.2	460	164	A	1	
150	1800	445T	TEFC	CP4406T-4	16,002	SD	44.75	1730	95	460	170	D	1	
		445T	TEFC	ECP4406T-4	17,633	SD	44.75	1946	96.2	460	165	A	1	
	1200	445T	TEFC	ECP44156T-4	21,240	SD	48.24	2006	95.8	460	170	A	1	
		447T	TEFC	ECP44156TR-4	22,322	SD	48.24	2048	96.2	460	173	A	1, 5	

<sup>(a)</sup> See notes on inside back flap.

All ratings are 1.15 service factor at 40°C ambient. All ratings meet 50°C ambient at 1.00 service factor and weatherproof intent of IEEE 45 and USCG 259 marine duty (below deck).

Custom TEFC motors available through 2250 Hp; Open and WPII motors through 15000 Hp. Contact your Baldor•Reliance Sales Representative.

**FOR OTHER 208-230/460 VOLT REQUIREMENTS, PLEASE SEE DIRTY DUTY MOTORS ON PAGE 84.**

■ Cast Iron Frame

General Information

Premium Efficient Super-E® Motors

Single Phase Motors

General Purpose Industrial Motors

Severe Duty Motors

Washdown Duty Motors

Explosion Proof Motors

Pump Motors

Light Industrial/Commercial Motors

HVAC Motors

Three Phase, Totally Enclosed, 460 & 230/460 Volts, Foot Mounted

Hp	RPM	NEMA Frame	Encl.	Catalog Number	List Price	Mult. Sym.	"C" Dim.	Aprx. Wt. (lb)	Full Load Efficiency	Voltage	Full Load Amps	EISA Status (a)	Notes (a)	
200	3600	445TS	TEFC	ECP44202T-4	21,082	SD	44.48	1986	96.2	460	222	A	1	
		447T	TEFC	CP44404T-4	19,475	SD	40.88	1841	95	460	220	D	1	
		447TS	TEFC	ECP4416T-4	21,082	SD	44.48	2129	96.2	460	222	A	1	
	1800	445T	TEFC	CP44204TR-4	20,780	SD	44.63	1961	95	460	225	D	1, 5	
		447T	TEFC	ECP4407T-4	21,212	SD	48.24	2417	96.2	460	221	A	1, 27	
		447T	TEFC	ECP4407TR-4	22,293	SD	48.24	2077	96.2	460	221	A	1, 5	
		447TS	TEFC	ECP4407TS-4	21,518	SD	44.48	2358	96.2	460	221	A	1, 27	
		449T	TEFC	ECP44206T-4	27,823	SD	53.24	2809	96.2	460	223	A	1, 27	
		449T	TEFC	ECP44206TR-4	28,904	SD	53.24	2848	96.2	460	223	A	1, 5	
250	3600	449TS	TEFC	ECP44252T-4	32,238	SD	49.48	2424	96.2	460	275	B	1, 27	
		447T	TEFC	CP44254TR-4	25,365	SD	48.24	2363	95.4	460	278	D	1, 5	
		449T	TEFC	ECP4408T-4	26,918	SD	53.24	2745	96.2	460	272	B	1, 27	
	1800	449T	TEFC	ECP4408TR-4	27,999	SD	53.24	2764	96.2	460	272	B	1, 5	
		449T	TEFC	ECP44256T-4	38,815	SD	53.24	2973	96.2	460	283	B	1, 27	
		449T	TEFC	ECP44256TR-4	39,896	SD	53.24	2999	96.2	460	283	B	1, 5	
		3600	449TS	TEFC	ECP44302T-4	47,117	SD	49.48	2626	96.2	460	326	B	1, 27
		1800	449T	TEFC	ECP44304T-4	37,101	SD	53.24	2853	96.2	460	326	B	1, 27
			449T	TEFC	ECP44304TR-4	38,183	SD	53.24	2925	96.2	460	326	B	1, 5
350	3600	449TS	TEFC	ECP44352T-4	56,554	SD	49.48	2848	96.2	460	375	B	1, 27	
	1800	449T	TEFC	ECP44354T-4	44,520	SD	60.21	3041	96.2	460	392	B	1, 27	
	3600	449TS	TEFC	ECP44402T-4	66,165	SD	49.48	2845	96.2	460	435	B	1, 27	
400	1800	L449T	TEFC	ECP44404T-4	55,606	SD	60.21	3459	95.8	460	442	B	1, 27, 64	

(a) See notes on inside back flap.

All ratings are 1.15 service factor at 40°C ambient. All ratings meet 50°C ambient at 1.00 service factor and weatherproof intent of IEEE 45 and USCG 259 marine duty (below deck).

Custom TEFC motors available through 2250 Hp; Open and WPII motors through 15000 Hp. Contact your Baldor•Reliance Sales Representative.

**FOR OTHER 208-230/460 VOLT REQUIREMENTS, PLEASE SEE DIRTY DUTY MOTORS ON PAGE 84.**

■ Cast Iron Frame

General Information

Premium Efficient Super-E® Motors

Single Phase Motors

General Purpose Industrial Motors

Severe Duty Motors

Washdown Duty Motors

Explosion Proof Motors

Pump Motors

Light Industrial/Commercial Motors

HVAC Motors



**Super-E,  
Three Phase,  
TEFC, 575 Volts,  
Foot Mounted**

**1 thru 200 Hp**

**NEMA 143T thru 447T**



**Applications:** Petro-chemical plants, mines, foundries, pulp and paper plants, waste management facilities, chemical plants, tropical climates and other processing industry applications requiring protection against corrosion caused by severe environmental operating conditions.

**Features:** ECP motors are XEX Designs. 1.15 Service Factor, corrosion resistant epoxy finish, regreasable ball or roller bearings, oversized rotatable cast iron conduit box, cast iron frames, V-Ring shaft seal, moisture resistant copper windings, Class F insulation, stainless steel nameplate and corrosion resistant hardware. ECP/XEX Super-E® motors have NEMA Premium® efficiency and 3 year warranty. Positive lubrication system (PLS) on 360 frame and larger.

Hp	RPM	NEMA Frame	Catalog Number	List Price	Mult. Sym.	"C" Dim.	Aprx. Wt. (lb)	Full Load Efficiency	Voltage	Full Load Amps	EISA Status (a)	Notes (a)
1	1800	143T	ECP3581T-5	920	SD	12.88	60	86.5	575	1.1	A	1
1 1/2	1800	145T	ECP3584T-5	937	SD	12.88	65	86.5	575	1.6	A	1
2	1800	145T	ECP3587T-5	978	SD	12.88	72	86.5	575	2.2	A	1
3	1800	182T	ECP3661T-5	1,238	SD	15.93	103	89.5	575	3.2	A	1
	1200	213T	ECP3764T-5	1,738	SD	19.50	186	90.2	575	3.6	A	1
5	1800	184T	ECP3665T-5	1,260	SD	15.93	126	90.2	575	5.2	A	1
	1200	215T	ECP3768T-5	1,761	SD	19.50	205	90.2	575	5.8	A	1
7 1/2	1800	213T	ECP3770T-5	1,586	SD	19.50	178	91.7	575	7.5	A	1
	1200	254T	ECP2276T-5	2,520	SD	25.07	267	91.7	575	8.7	A	1
10	1800	215T	ECP3774T-5	1,899	SD	19.50	215	92.4	575	9.8	A	1
	1200	256T	ECP2332T-5	3,274	SD	25.07	286	91.7	575	11.5	A	1
15	1800	254T	ECP2333T-5	2,420	SD	25.07	255	92.4	575	14.8	A	1
	1200	284T	ECP4100T-5	3,753	SD	27.93	425	93	575	15.9	A	1
20	1800	256T	ECP2334T-5	2,596	SD	25.07	303	93	575	19.2	A	1
	1200	286T	ECP4102T-5	5,100	SD	27.93	452	93	575	20.6	A	1
25	1800	284T	ECP4103T-5	3,396	SD	27.93	427	93.6	575	23.9	A	1
	1200	324T	ECP4111T-5	5,329	SD	30.16	556	93	575	25.3	A	1
30	1800	286T	ECP4104T-5	4,033	SD	27.93	471	94.1	575	29	A	1
40	1800	324T	ECP4110T-5	5,276	SD	30.16	578	94.5	575	36.8	A	1
50	1800	326T	ECP4115T-5	6,193	SD	30.16	640	94.5	575	45.6	A	1
60	1800	364T	ECP4314T-5	8,301	SD	32.84	821	95	575	55	A	1
75	1800	365T	ECP4316T-5	9,699	SD	32.84	912	95.4	575	69.2	A	1
100	1800	405T	ECP4400T-5	12,732	SD	38.03	1335	95.4	575	87	A	1
125	1800	444T	ECP4410T-5	15,052	SD	44.75	1675	95.4	575	111.5	A	1
150	1800	445T	ECP4406T-5	17,633	SD	44.75	1823	96.2	575	132	A	1
200	1800	447T	ECP4407T-5	21,212	SD	48.24	2345	96.2	575	179	A	1

(a) See notes on inside back flap.

All ratings are 1.15 service factor at 40°C ambient. All ratings meet 50°C ambient at 1.00 service factor and weatherproof intent of IEEE 45 and USCG 259 marine duty (below deck).

**MEETS NRC CANADIAN STANDARDS FOR EFFICIENCY.**

■ Cast Iron Frame

General Information

Premium Efficient Super-E® Motors

Single Phase Motors

General Purpose Industrial Motors

Severe Duty Motors

Washdown Duty Motors

Explosion Proof Motors

Pump Motors

Light Industrial/Commercial Motors

HVAC Motors

**Three Phase,  
Totally Enclosed,  
460 & 230/460 Volts,  
C-Face**

**1 thru 50 Hp**

**NEMA 56C thru 326TC**

**Applications:** Petro-chemical plants, mines, foundries, pulp and paper plants, waste management facilities, chemical plants, tropical climates and other processing industry applications requiring protection against corrosion caused by severe environmental operating conditions.

**Features:** 1.15 Service Factor, corrosion resistant epoxy finish, regreasable ball or roller bearings, oversized rotatable cast iron conduit box, cast iron frames, V-Ring shaft seal, moisture resistant copper windings, Class F insulation, stainless steel nameplate and corrosion resistant hardware. VECP and CECP motors have XEX features. VECP and CECP/XEX Super-E® motors have NEMA Premium® efficiency and 3 year warranty.



General Information

Premium Efficient Super-E® Motors

Single Phase Motors

General Purpose Industrial Motors

Severe Duty Motors

Washdown Duty Motors

Explosion Proof Motors

Pump Motors

Light Industrial/Commercial Motors

HVAC Motors

Hp	RPM	NEMA Frame	Encl.	Catalog Number	List Price	Mult. Sym.	"C" Dim.	Aprx. Wt. (lb)	Full Load Efficiency	Voltage	Full Load Amps	EISA Status (a)	Notes (a)
<b>C-Face, Foot Mounted</b>													
1	1800	143TC	TEFC	CECP3581T	969	SD	13.38	67	87.5	208-230/460	1.5	A	1
1 1/2	1800	145TC	TEFC	CECP3584T	988	SD	13.38	69	88.5	208-230/460	2.1	A	1
2	1800	145TC	TEFC	CECP3587T	1,028	SD	13.38	77	88.5	208-230/460	2.8	A	1
3	3600	182TC	TEFC	CECP3660T	1,266	SD	16.38	132	88.5	230/460	3.6	A	1
	1800	182TC	TEFC	CECP3661T	1,327	SD	16.38	145	89.5	230/460	4.2	A	1
5	3600	184TC	TEFC	CECP3663T	1,537	SD	16.38	142	88.5	230/460	6	A	1
	1800	184TC	TEFC	CECP3665T	1,348	SD	17.88	152	89.5	230/460	6.6	A	1
7 1/2	3600	213TC	TEFC	CECP3769T	2,067	SD	20.06	189	91	230/460	8.6	A	1
	1800	213TC	TEFC	CECP3770T	1,763	SD	20.06	210	91.7	230/460	9.4	A	1
10	3600	215TC	TEFC	CECP3771T	2,188	SD	20.24	203	91.7	230/460	11.2	A	1
	1800	215TC	TEFC	CECP3774T	2,075	SD	20.24	231	92.4	230/460	12.5	A	1
15	3600	254TC	TEFC	CECP2294T	3,090	SD	25.06	245	91.7	230/460	17.2	A	1
		254TC	TEFC	CECP2333T	2,948	SD	25.57	255	92.4	230/460	18.5	A	1
	1800	254TC	TEFC	CECP2333T-4	3,121	SD	25.19	330	92.4	460	18.5	A	1
20	3600	256TC	TEFC	CECP4106T	3,519	SD	25.06	276	92.4	230/460	22	A	1
		256TC	TEFC	CECP2334T	3,125	SD	25.57	345	93	230/460	24	A	1
	1800	256TC	TEFC	CECP2334T-4	3,125	SD	25.19	345	93	460	24	A	1
25	3600	284TSC	TEFC	CECP4107T	4,292	SD	24.66	410	92.4	230/460	27	A	1
		284TC	TEFC	CECP4103T-4	4,130	SD	27.93	422	93.6	460	30.5	A	1
	1800	286TC	TEFC	CECP4103T	4,130	SD	27.93	399	93.6	230/460	30	A	1
30	3600	286TSC	TEFC	CECP4108T	5,084	SD	26.06	469	93	230/460	33.9	A	1
		286TC	TEFC	CECP4104T	4,767	SD	27.93	475	94.1	230/460	36	A	1
	1800	286TC	TEFC	CECP4104T-4	4,767	SD	27.93	460	93.6	460	35	A	1
40	3600	324TSC	TEFC	CECP4109T	6,834	SD	28.66	619	93.6	230/460	45	A	1
	1800	324TC	TEFC	CECP4110T	6,085	SD	30.16	668	94.5	230/460	46	A	1
50	3600	326TSC	TEFC	CECP4114T	7,124	SD	28.66	667	94.4	230/460	56	A	1
	1800	326TC	TEFC	CECP4115T	7,002	SD	30.16	725	94.5	230/460	57	A	1
<b>C-Face, Footless</b>													
1	3600	56C	TEFC	VCP3580-4	749	SD	12.69	51	74	460	1.6	D	1
		56C	TEFC	VECP3580-4	882	SD	13.32	58	84	460	1.4	C	1
		56C	TEFC	VCP3581	615	SD	12.69	54	77	208-230/460	1.7	D	1
	1800	56C	TEFC	VCP3581-4	615	SD	12.69	54	77	460	1.7	D	1
		56C	TEFC	VECP3581	964	SD	14.50	66	87.5	208-230/460	1.5	C	1
		56C	TEFC	VECP3581-4	964	SD	13.32	64	87.5	460	1.5	C	1
		143TC	TEFC	VCP3581T	615	SD	13.92	56	82.5	208-230/460	1.6	D	1
		143TC	TEFC	VCP3581T-4	615	SD	12.75	53	77	460	1.7	D	1
		143TC	TEFC	VECP3581T	964	SD	14.56	65	87.5	208-230/460	1.5	B	1
		143TC	TEFC	VECP3581T-4	964	SD	13.38	65	86.5	460	1.4	B	1
	1200	145TC	TEFC	VCP3582T	893	SD	13.92	64	80	208-230/460	1.8	D	1
		145TC	TEFC	VECP3582T	1,062	SD	14.56	67	82.5	208-230/460	1.8	B	1

(a) See notes on inside back flap.

All ratings are 1.15 service factor at 40°C ambient. All ratings meet 50°C ambient at 1.00 service factor and weatherproof intent of IEEE 45 and USCG 259 marine duty (below deck).

■ Cast Iron Frame

**Three Phase, Totally Enclosed, 460 & 230/460 Volts, C-Face**

Hp	RPM	NEMA Frame	Encl.	Catalog Number	List Price	Mult. Sym.	"C" Dim.	Aprx. Wt. (lb)	Full Load Efficiency	Voltage	Full Load Amps	EISA Status (a)	Notes (a)	
1 1/2	3600	143TC	TEFC	VCP3583T-4	844	SD	12.75	55	75.5	460	2.3	D	1	
		143TC	TEFC	VECP3583T-4	995	SD	13.38	64	85.5	460	2	B	1	
	1800	145TC	TEFC	VCP3584T	773	SD	13.92	60	84	208-230/460	2.4	D	1	
		145TC	TEFC	VCP3584T-4	773	SD	12.75	57	78.5	460	2.5	D	1	
		145TC	TEFC	VECP3584T	980	SD	14.56	70	88.5	208-230/460	2.1	B	1	
		145TC	TEFC	VECP3584T-4	980	SD	13.38	68	88.5	460	2.1	B	1	
1200	182TC	TEFC	VCP3667T	1,048	SD	18.56	138	85.5	208-230/460	2.6	D	1		
	182TC	TEFC	VECP3667T	1,261	SD	18.56	146	87.5	208-230/460	2.4	B	1		
2	3600	145TC	TEFC	VCP3586T-4	898	SD	12.75	59	78.5	460	2.7	D	1	
		145TC	TEFC	VECP3586T-4	1,042	SD	13.38	71	86.5	460	2.5	B	1	
	1800	145TC	TEFC	VCP3587T	790	SD	13.92	62	84	208-230/460	3.1	D	1	
		145TC	TEFC	VCP3587T-4	790	SD	12.75	60	82.5	460	3.1	D	1	
		145TC	TEFC	VECP3587T	1,021	SD	14.57	74	88.5	208-230/460	2.8	B	1	
		145TC	TEFC	VECP3587T-4	1,021	SD	13.38	67	86.5	460	2.7	B	1	
	1200	184TC	TEFC	VCP3664T	978	SD	18.56	145	86.5	208-230/460	2.9	D	1	
		184TC	TEFC	VECP3664T	1,279	SD	18.56	151	88.5	208-230/460	3	B	1	
	3	3600	182TC	TEFC	VCP3660T-4	1,097	SD	18.56	122	80	460	3.9	D	1
			182TC	TEFC	VECP3660T-4	1,251	SD	18.56	136	88.5	460	3.6	B	1
1800		182TC	TEFC	VCP3661T	1,123	SD	18.56	132	87.5	208-230/460	4.1	D	1	
		182TC	TEFC	VCP3661T-4	1,123	SD	18.56	137	84	460	4.3	D	1	
		182TC	TEFC	VECP3661T	1,311	SD	18.56	143	89.5	230/460	4.2	B	1	
		182TC	TEFC	VECP3661T-4	1,311	SD	18.56	143	89.5	460	4	B	1	
1200		213TC	TEFC	VCP3764T	1,559	SD	21.56	166	87.5	208-230/460	5.1	D	1	
		213TC	TEFC	VECP3764T	1,887	SD	21.56	200	90.2	230/460	4.5	B	1	
5		3600	184TC	TEFC	VCP3663T-4	1,367	SD	18.56	135	85.5	460	6	D	1
			184TC	TEFC	VECP3663T-4	1,522	SD	18.56	143	89.5	460	5.7	B	1
	1800	184TC	TEFC	VCP3665T	1,156	SD	18.56	136	85.5	208-230/460	6.6	D	1	
		184TC	TEFC	VCP3665T-4	1,156	SD	18.56	138	85.5	460	6.6	D	1	
		184TC	TEFC	VECP3665T	1,334	SD	18.56	150	89.5	230/460	6.6	B	1	
		184TC	TEFC	VECP3665T-4	1,334	SD	18.56	146	90.2	460	6.5	B	1	
1200	215TC	TEFC	VECP3768T	1,909	SD	21.56	203	90.2	230/460	7.3	B	1		
7 1/2	3600	213TC	TEFC	VCP3769T-4	1,772	SD	21.56	181	84	460	9.1	D	1	
		213TC	TEFC	VECP3769T-4	2,039	SD	21.56	198	91	460	8.6	B	1	
	1800	213TC	TEFC	VCP3770T	1,592	SD	21.56	187	89.5	208-230/460	10.3	D	1	
		213TC	TEFC	VCP3770T-4	1,592	SD	21.56	188	89.5	460	10.3	D	1	
		213TC	TEFC	VECP3770T	1,733	SD	21.56	207	91.7	230/460	9.5	B	1	
		213TC	TEFC	VECP3770T-4	1,733	SD	21.56	201	91.7	460	9.5	B	1	
	1200	254TC	TEFC	VCP2276T	2,245	SD	26.47	316	89.5	230/460	10.8	D	1	
		254TC	TEFC	VECP2276T	2,991	SD	27.69	310	91.7	230/460	10.7	B	1	
10	3600	215TC	TEFC	VCP3771T-4	1,885	SD	21.56	186	85.5	460	12	D	1	
		215TC	TEFC	VECP3771T-4	2,160	SD	20.24	203	91.7	460	11.2	B	1	
	1800	215TC	TEFC	VCP3774T	1,712	SD	21.11	191	89.5	208-230/460	13	D	1	
		215TC	TEFC	VCP3774T-4	1,712	SD	20.06	194	89.5	460	13	D	1	
		215TC	TEFC	VECP3774T	2,047	SD	21.41	231	92.4	230/460	12.5	B	1	
		215TC	TEFC	VECP3774T-4	2,047	SD	20.24	231	92.4	460	12.5	B	1	
	1200	256TC	TEFC	VCP2332T	2,987	SD	26.47	326	87.5	230/460	15	D	1	
		256TC	TEFC	VECP2332T	3,744	SD	27.69	320	91.7	230/460	14.2	B	1	
15	1800	254TC	TEFC	VCP2333T	2,540	SD	26.47	312	91	230/460	18.1	D	1	
		254TC	TEFC	VECP2333T	2,891	SD	27.69	255	92.4	230/460	18.5	B	1	
	1200	254TC	TEFC	VECP2333T-4	2,891	SD	27.69	280	92.4	460	18.5	B	1	
		284TC	TEFC	VCP4100T	4,201	SD	29.35	322	90.2	230/460	21	D	1	
20	1800	284TC	TEFC	VECP4100T	4,414	SD	29.35	472	93	230/460	18.7	B	1	
		256TC	TEFC	VCP2334T	2,778	SD	26.97	325	91	230/460	25	D	1	
	1200	256TC	TEFC	VECP2334T	3,065	SD	27.69	286	93	230/460	24	B	1	
		286TC	TEFC	VCP4102T	4,790	SD	29.35	444	90.2	230/460	27	D	1	
		286TC	TEFC	VECP4102T	5,761	SD	29.37	482	93	230/460	26	B	1	
		284TC	TEFC	VCP4103T	3,457	SD	29.35	439	92.4	230/460	29	D	1	
25	1800	284TC	TEFC	VECP4103T	4,058	SD	30.68	395	93.6	230/460	30	B	1	
		324TC	TEFC	VCP4111T	5,775	SD	33.03	655	91.7	230/460	31	D	1	
1200	324TC	TEFC	VECP4111T	6,064	SD	32.91	717	93	230/460	32	B	1		

(a) See notes on inside back flap. ■ Cast Iron Frame

All ratings are 1.15 service factor at 40°C ambient. All ratings meet 50°C ambient at 1.00 service factor and weatherproof intent of IEEE 45 and USCG 259 marine duty (below deck).

General Information

Premium Efficient Super-E® Motors

Single Phase Motors

General Purpose Industrial Motors

Severe Duty Motors

Washdown Duty Motors

Explosion Proof Motors

Pump Motors

Light Industrial/Commercial Motors

HVAC Motors

**IEEE 841,  
Three Phase,  
Totally Enclosed,  
460 Volts**

**1 thru 250 Hp**

**NEMA 143T thru 449T**

**Applications:** Petro-chemical, pulp and paper, cement, aggregate mining and other process industries requiring premium efficient motors designed, manufactured and tested to exceed IEEE 841-2009 TEFC motor standards for extreme severe duty service.

**Features:** Built to 841XL design. Upgraded electrical and mechanical design with NEMA Premium® efficient winding. Inpro/Seal® VBX (thru 210 frame) and VBXX bearing isolators on fan and drive end shaft extensions and epoxy paint provides IP56 enclosure. Oversized bearings on both ends of motor with positive lubrication system. Stainless breather drains. Proprietary cast iron frames for reduced vibration and noise. Terminal lugs on motor leads. Final test and vibration results shipped with motor. Enhanced motor nameplate data. 5-year warranty.



General Information

Premium Efficient Super-E® Motors

Single Phase Motors

General Purpose Industrial Motors

Severe Duty Motors

Washdown Duty Motors

Explosion Proof Motors

Pump Motors

Light Industrial/Commercial Motors

HVAC Motors

Hp	RPM	NEMA Frame	Encl.	Catalog Number	List Price	Mult. Sym.	"C" Dim.	Aprx. Wt. (lb)	Full Load Efficiency	Voltage	Full Load Amps	EISA Status (a)	Notes (a)
<b>Foot Mounted</b>													
1	3600	143T	TEFC	ECP83580T-4	919	SD	12.88	59	84	460	1.4	A	1, 16
		143T	TENV	ENCP83580T-4	876	SD	11.37	38	81.5	460	1.3	C	1, 16
	1800	143T	TEFC	ECP83581T-4	1,009	SD	12.88	66	87.5	460	1.5	A	1, 16
		143T	TENV	ENCP83581T-4	958	SD	11.37	62	85.5	460	1.5	C	1, 16
1 1/2	1200	145T	TEFC	ECP83582T-4	1,082	SD	12.88	71	82.5	460	1.8	A	1, 16
		143T	TEFC	ECP83583T-4	987	SD	12.88	69	85.5	460	2	A	1, 16
	1800	145T	TEFC	ECP83584T-4	1,027	SD	12.87	74	88.5	460	2.1	A	1, 16
		182T	TEFC	ECP83667T-4	1,246	SD	17.12	145	87.5	460	2.4	A	1, 16
2	3600	145T	TEFC	ECP83586T-4	1,083	SD	12.88	75	86.5	460	2.4	A	1, 16
		145T	TEFC	ECP83587T-4	1,073	SD	12.88	76	86.5	460	2.7	A	1, 16
	1200	184T	TEFC	ECP83664T-4	1,155	SD	17.12	143	88.5	460	3	A	1, 16
3	3600	182T	TEFC	ECP83660T-4	1,291	SD	15.62	124	88.5	460	3.6	A	1, 16
		182T	TEFC	ECP83661T-4	1,358	SD	17.12	131	89.5	460	4.2	A	1, 16
	1200	213T	TEFC	ECP83764T-4	1,889	SD	19.31	186	89.5	460	4.2	A	1, 16
5	3600	184T	TEFC	ECP83663T-4	1,591	SD	17.12	131	88.5	460	6	A	1, 16
		184T	TEFC	ECP83665T-4	1,384	SD	17.12	142	89.5	460	6.6	A	1, 16
	1200	215T	TEFC	ECP83768T-4	1,953	SD	20.19	200	89.5	460	6.8	A	1, 16
7 1/2	3600	213T	TEFC	ECP83769T-4	2,077	SD	19.31	180	90.2	460	8.6	A	1, 16
		1800	213T	TEFC	ECP83770T-4	1,744	SD	19.32	185	91.7	460	9.5	A
	1200	254T	TEFC	ECP82276T-4	2,817	SD	25.06	305	91.7	460	10.5	A	1, 16
10	3600	215T	TEFC	ECP83771T-4	2,211	SD	19.32	225	91.7	460	10.7	A	1, 16
		1800	215T	TEFC	ECP83774T-4	2,065	SD	19.32	231	91.7	460	12.2	A
	1200	256T	TEFC	ECP82332T-4	3,596	SD	25.06	310	91.7	460	14.1	A	1, 16
15	3600	254T	TEFC	ECP82394T-4	2,878	SD	25.06	262	91.7	460	17	A	1, 16
		1800	254T	TEFC	ECP82333T-4	2,658	SD	25.06	280	92.4	460	17.6	A
	1200	284T	TEFC	ECP84100T-4	4,155	SD	27.44	442	92.4	460	18.7	A	1, 16
20	3600	256T	TEFC	ECP84106T-4	3,299	SD	25.06	310	91.7	460	22	A	1, 16
		1800	256T	TEFC	ECP82334T-4	2,874	SD	25.06	258	93	460	23.1	A
	1200	286T	TEFC	ECP84102T-4	5,599	SD	27.44	458	92.4	460	24.8	A	1, 16
25	3600	284TS	TEFC	ECP84107T-4	4,034	SD	26.06	451	93	460	28.1	A	1, 16
		1800	284T	TEFC	ECP84103T-4	3,728	SD	27.93	519	93.6	460	30	A
	1200	324T	TEFC	ECP84111T-4	5,901	SD	30.53	589	93	460	30	A	1, 16
30	3600	286TS	TEFC	ECP84108T-4	4,832	SD	26.06	462	93	460	33.9	A	1, 16
		1800	286T	TEFC	ECP84104T-4	4,390	SD	27.93	460	93.6	460	35	A
	1200	326T	TEFC	ECP84117T-4	7,679	SD	30.53	593	93	460	39	A	1, 16
40	3600	324TS	TEFC	ECP84109T-4	6,611	SD	29.03	587	92.4	460	45	A	1, 16
		1800	324T	TEFC	ECP84110T-4	5,845	SD	30.53	592	94.5	460	46	A
	1200	364T	TEFC	ECP84308T-4	9,401	SD	33.44	896	94.1	460	49.4	A	1, 16
50	3600	326TS	TEFC	ECP84114T-4	6,896	SD	29.03	633	93	460	56	A	1, 16
		1800	326T	TEFC	ECP84115T-4	6,863	SD	30.53	700	94.5	460	57	A
	1200	365T	TEFC	ECP84312T-4	10,012	SD	33.44	889	94.1	460	61.7	A	1, 16

(a) See notes on inside back flap.

All ratings are 1.15 service factor at 40°C ambient. All ratings meet 50°C ambient at 1.00 service factor and weatherproof intent of IEEE 45 and USCG 259 marine duty (below deck).

■ Cast Iron Frame



**IEEE 841, Three Phase, Totally Enclosed, 460 Volts**

Hp	RPM	NEMA Frame	Encl.	Catalog Number	List Price	Mult. Sym.	"C" Dim.	Aprx. Wt. (lb)	Full Load Efficiency	Voltage	Full Load Amps	EISA Status (a)	Notes (a)
60	3600	364TS	TEFC	<a href="#">ECP84310T-4</a>	10,191	SD	31.31	885	95	460	65.1	A	1, 16
	1800	364T	TEFC	<a href="#">ECP84314T-4</a>	9,113	SD	33.44	906	95	460	68	A	1, 16
	1200	404T	TEFC	<a href="#">ECP84403T-4</a>	12,978	SD	38.31	1110	95	460	69	A	1, 16
75	3600	365TS	TEFC	<a href="#">ECP84313T-4</a>	11,288	SD	31.31	938	95	460	80.7	A	1, 16
	1800	365T	TEFC	<a href="#">ECP84316T-4</a>	10,598	SD	33.44	940	95.4	460	85.9	A	1, 16
	1200	405T	TEFC	<a href="#">ECP84404T-4</a>	15,719	SD	38.31	1239	94.5	460	86.9	A	1, 16
100	3600	405TS	TEFC	<a href="#">ECP84402T-4</a>	13,527	SD	35.31	1267	95	460	110	A	1, 16
	1800	405T	TEFC	<a href="#">ECP84400T-4</a>	14,146	SD	38.31	1318	95.4	460	112	A	1, 16
	1200	444T	TEFC	<a href="#">ECP84409T-4</a>	17,291	SD	44.75	1758	95	460	115	A	1, 16
125	3600	444TS	TEFC	<a href="#">ECP84412T-4</a>	15,820	SD	40.98	1707	95.4	460	137	A	1, 16
	1800	444T	TEFC	<a href="#">ECP84410T-4</a>	16,047	SD	44.75	1779	95.8	460	139	A	1, 16
	1200	445T	TEFC	<a href="#">ECP84411T-4</a>	19,626	SD	44.75	1901	95.4	460	143	A	1, 16
150	3600	445TS	TEFC	<a href="#">ECP84413T-4</a>	18,180	SD	40.98	1956	96.2	460	164	A	1, 16, 27
	1800	445T	TEFC	<a href="#">ECP84406T-4</a>	18,977	SD	44.75	1932	96.2	460	165	A	1, 16, 27
	1200	447T	TEFC	<a href="#">ECP844156T-4</a>	21,814	SD	48.24	2355	96.2	460	174	A	1, 16, 27
200	3600	447TS	TEFC	<a href="#">ECP84416T-4</a>	24,034	SD	43.92	2189	96.2	460	222	A	1, 16
		447T	TEFC	<a href="#">ECP84407T-4</a>	22,831	SD	48.24	2388	96.2	460	221	A	1, 16, 27
	1800	447T	TEFC	<a href="#">ECP84407TR-4</a>	23,913	SD	48.24	2464	96.2	460	221	A	1, 5, 16
		449T	TEFC	<a href="#">ECP844206T-4</a>	28,980	SD	53.24	2768	96.2	460	165	A	1, 16, 27
	1200	449T	TEFC	<a href="#">ECP844206TR-4</a>	30,062	SD	53.24	2802	96.2	460	223	A	1, 5, 16
		449TS	TEFC	<a href="#">ECP844252T-4</a>	38,724	SD	49.48	2724	96.2	460	267	B	1, 16
250	1800	449T	TEFC	<a href="#">ECP84408T-4</a>	29,145	SD	53.24	2729	96.2	460	272	B	1, 16, 27
	449T	TEFC	<a href="#">ECP84408TR-4</a>	30,198	SD	53.24	2800	96.2	460	272	B	1, 5, 16	
	1200	449T	TEFC	<a href="#">ECP844256T-4</a>	40,675	SD	53.24	2995	96.2	460	283	B	1, 16, 27

**C-Face, Foot Mounted**

1	3600	143TC	TEFC	<a href="#">CECP83580T-4</a>	958	SD	13.38	63	84	460	1.4	A	1, 16
		143TC	TENV	<a href="#">CECP83580T-4</a>	916	SD	12.00	56	84	460	1.3	C	1, 16
1 1/2	1800	143TC	TEFC	<a href="#">CECP83581T-4</a>	1,049	SD	13.38	69	87.5	460	1.5	A	1, 16
		143TC	TENV	<a href="#">CECP83581T-4</a>	996	SD	12.00	64	87.5	460	1.5	C	1, 16
2	3600	143TC	TEFC	<a href="#">CECP83583T-4</a>	1,026	SD	13.38	72	85.5	460	2	A	1, 16
		145TC	TEFC	<a href="#">CECP83584T-4</a>	1,068	SD	13.38	75	88.5	460	2.1	A	1, 16
3	1800	145TC	TEFC	<a href="#">CECP83586T-4</a>	1,126	SD	13.38	80	86.5	460	2.4	A	1, 16
		145TC	TEFC	<a href="#">CECP83587T-4</a>	1,112	SD	13.38	78	86.5	460	2.7	A	1, 16
5	3600	182TC	TEFC	<a href="#">CECP83660T-4</a>	1,368	SD	16.38	134	88.5	460	3.6	A	1, 16
		182TC	TEFC	<a href="#">CECP83661T-4</a>	1,449	SD	16.38	143	89.5	460	4.2	A	1, 16
7 1/2	1800	184TC	TEFC	<a href="#">CECP83663T-4</a>	1,663	SD	16.38	142	88.5	460	6	A	1, 16
		184TC	TEFC	<a href="#">CECP83665T-4</a>	1,457	SD	17.88	150	89.5	460	6.6	A	1, 16
10	3600	213TC	TEFC	<a href="#">CECP83769T-4</a>	2,156	SD	20.06	189	90.2	460	8.6	A	1, 16
		213TC	TEFC	<a href="#">CECP83770T-4</a>	1,846	SD	20.06	206	91.7	460	9.4	A	1, 16
15	1800	215TC	TEFC	<a href="#">CECP83771T-4</a>	2,288	SD	20.06	225	91.7	460	10.7	A	1, 16
		215TC	TEFC	<a href="#">CECP83774T-4</a>	2,231	SD	20.06	231	92.4	460	12.5	A	1, 16
20	3600	254TC	TEFC	<a href="#">CECP82394T-4</a>	3,129	SD	25.19	353	91.7	460	17	A	1, 16
		254TC	TEFC	<a href="#">CECP82333T-4</a>	3,055	SD	25.56	330	92.4	460	17.6	A	1, 16
25	1800	256TC	TEFC	<a href="#">CECP84106T-4</a>	3,549	SD	25.19	351	91.7	460	22	A	1, 16
		256TC	TEFC	<a href="#">CECP82334T-4</a>	3,232	SD	25.56	346	93	460	23.1	A	1, 16
30	3600	284TS	TEFC	<a href="#">CECP84107T-4</a>	4,841	SD	26.06	464	93	460	28.1	A	1, 16
		284TC	TEFC	<a href="#">CECP84103T-4</a>	4,536	SD	27.93	422	93.6	460	30.5	A	1, 16
40	1800	286TS	TEFC	<a href="#">CECP84108T-4</a>	5,639	SD	26.06	459	93	460	33.9	A	1, 16
		286TC	TEFC	<a href="#">CECP84104T-4</a>	5,195	SD	27.93	460	93.6	460	35	A	1, 16
50	3600	324TSC	TEFC	<a href="#">CECP84109T-4</a>	7,499	SD	29.03	587	92.4	460	45	A	1, 16
		324TC	TEFC	<a href="#">CECP84110T-4</a>	6,734	SD	30.53	615	94.5	460	46	A	1, 16
		324TC	TEFC	<a href="#">CECP84110T-5</a>	6,734	SD	30.53	600	94.5	575	36.8	A	1, 16
60	1800	324TSC	TEFC	<a href="#">CECP84114T-4</a>	7,787	SD	29.03	633	93	460	56	A	1, 16
		326TC	TEFC	<a href="#">CECP84115T-4</a>	7,751	SD	30.53	700	94.5	460	57	A	1, 16
75	3600	364TS	TEFC	<a href="#">CECP84310T-4</a>	11,159	SD	31.31	925	95	460	65.1	A	1, 16
		364TC	TEFC	<a href="#">CECP84314T-4</a>	10,082	SD	33.44	906	95	460	68	A	1, 16
		365TSC	TEFC	<a href="#">CECP84313T-4</a>	12,255	SD	31.31	995	95	460	80.7	A	1, 16
1800	365TC	TEFC	<a href="#">CECP84316T-4</a>	11,568	SD	33.44	979	95.4	460	85.9	A	1, 16	

(a) See notes on inside back flap. ■ Cast Iron Frame

All ratings are 1.15 service factor at 40°C ambient. All ratings meet 50°C ambient at 1.00 service factor and weatherproof intent of IEEE 45 and USCG 259 marine duty (below deck).

General Information

Premium Efficient Super-E® Motors

Single Phase Motors

General Purpose Industrial Motors

Severe Duty Motors

Washdown Duty Motors

Explosion Proof Motors

Pump Motors

Light Industrial/Commercial Motors

HVAC Motors



IEEE 841, Three Phase, Totally Enclosed, 460 Volts

Hp	RPM	NEMA Frame	Encl.	Catalog Number	List Price	Mult. Sym.	"C" Dim.	Aprx. Wt. (lb)	Full Load Efficiency	Voltage	Full Load Amps	EISA Status <sup>(a)</sup>	Notes <sup>(a)</sup>
<b>C-Face, Footless</b>													
1	3600	143TC	TENV	<b>VENCP83580T-4</b>	868	SD	12.00	56	84	460	1.3	C	1, 16
	1800	143TC	TENV	<b>VENCP83581T-4</b>	937	SD	12.00	62	87.5	460	1.5	C	1, 16
1 1/2	3600	143TC	TEFC	<b>VECP83583T-4</b>	1,016	SD	14.56	71	85.5	460	2	A	1, 16
	1800	145TC	TEFC	<b>VECP83584T-4</b>	1,057	SD	14.56	75	88.5	460	2.1	A	1, 16
2	3600	145TC	TEFC	<b>VECP83586T-4</b>	1,114	SD	14.56	81	86.5	460	2.4	A	1, 16
	1800	145TC	TEFC	<b>VECP83587T-4</b>	1,102	SD	14.56	77	86.5	460	2.7	A	1, 16
3	3600	182TC	TEFC	<b>VECP83660T-4</b>	1,354	SD	17.88	128	88.5	460	3.6	A	1, 16
	1800	182TC	TEFC	<b>VECP83661T-4</b>	1,435	SD	17.88	141	89.5	460	4.2	A	1, 16
5	3600	184TC	TEFC	<b>VECP83663T-4</b>	1,649	SD	17.88	143	88.5	460	6	A	1, 16
	1800	184TC	TEFC	<b>VECP83665T-4</b>	1,443	SD	16.38	155	88.7	460	6.6	A	1, 16
7 1/2	3600	213TC	TEFC	<b>VECP83769T-4</b>	2,128	SD	20.94	194	90.2	460	8.6	A	1, 16
	1800	213TC	TEFC	<b>VECP83770T-4</b>	1,818	SD	20.94	205	91.7	460	9.4	A	1, 16
10	3600	215TC	TEFC	<b>VECP83771T-4</b>	2,260	SD	20.94	209	91	460	11.1	A	1, 16
	1800	215TC	TEFC	<b>VECP83774T-4</b>	2,203	SD	20.06	231	91.7	460	12.5	A	1, 16
15	3600	254TC	TEFC	<b>VECP82394T-4</b>	3,000	SD	25.19	239	91.7	460	17	A	1, 16
	1800	254TC	TEFC	<b>VECP82333T-4</b>	2,925	SD	25.19	280	92.4	460	17.6	A	1, 16
20	3600	256TC	TEFC	<b>VECP84106T-4</b>	3,420	SD	25.19	310	91.7	460	22	A	1, 16
	1800	256TC	TEFC	<b>VECP82334T-4</b>	3,101	SD	25.19	322	93	460	23.1	A	1, 16

<sup>(a)</sup> See notes on inside back flap.

All ratings are 1.15 service factor at 40°C ambient. All ratings meet 50°C ambient at 1.00 service factor and weatherproof intent of IEEE 45 and USCG 259 marine duty (below deck).

■ Cast Iron Frame

General Information

Premium Efficient Super-E® Motors

Single Phase Motors

General Purpose Industrial Motors

Severe Duty Motors

Washdown Duty Motors

Explosion Proof Motors

Pump Motors

Light Industrial/Commercial Motors

HVAC Motors

**IEEE 841,  
Three Phase,  
TEFC, 575 Volts,  
Foot Mounted**

**1 thru 250 Hp**

**NEMA 143T thru 449T**

**Applications:** Petro-chemical, pulp and paper, cement, aggregate mining and other process industries requiring premium efficient motors designed, manufactured and tested to exceed IEEE 841-2009 TEFC motor standards for extreme severe duty service.

**Features:** Built to 841XL design. Upgraded electrical and mechanical design with NEMA Premium® efficient winding. Inpro/Seal® VBX (thru 210 frame) and VBXX bearing isolators on fan and drive end shaft extensions and epoxy paint provides IP56 enclosure. Oversized bearings on both ends of motor with positive lubrication system. Stainless breather drains. Proprietary cast iron frames for reduced vibration and noise. Terminal lugs on motor leads. Final test and vibration results shipped with motor. Enhanced motor nameplate data. 5-year warranty.



Hp	RPM	NEMA Frame	Catalog Number	List Price	Mult. Sym.	"C" Dim.	Aprx. Wt. (lb)	Full Load Efficiency	Voltage	Full Load Amps	EISA Status (a)	Notes (a)
<b>Foot Mounted</b>												
1	3600	143T	ECP83580T-5	919	SD	12.88	35	84	575	1.1	A	1, 16
	1800	143T	ECP83581T-5	1,009	SD	12.88	70	85.5	575	1.1	A	1, 16
	1200	145T	ECP83582T-5	1,082	SD	12.88	42	82.5	575	1.4	A	1, 16
1 1/2	3600	143T	ECP83583T-5	987	SD	12.88	68	85.5	575	1.6	A	1, 16
	1800	145T	ECP83584T-5	1,027	SD	12.88	73	86.5	575	1.6	A	1, 16
	1200	182T	ECP83667T-5	1,246	SD	15.62	137	87.5	575	1.9	A	1, 16
2	3600	145T	ECP83586T-5	1,023	SD	12.88	78	86.5	575	1.9	A	1, 16
	1800	145T	ECP83587T-5	1,073	SD	12.88	70	86.5	575	2.2	A	1, 16
	1200	184T	ECP83664T-5	1,155	SD	17.12	143	88.5	575	2.4	A	1, 16
3	3600	182T	ECP83660T-5	1,291	SD	15.62	117	88.5	575	2.9	A	1, 16
	1800	182T	ECP83661T-5	1,358	SD	15.62	137	89.5	575	3.4	A	1, 16
	1200	213T	ECP83764T-5	1,889	SD	19.31	183	89.5	575	3.4	A	1, 16
5	3600	184T	ECP83663T-5	1,591	SD	15.62	129	88.5	575	4.8	A	1, 16
	1800	184T	ECP83665T-5	1,384	SD	17.12	145	89.5	575	5.3	A	1, 16
	1200	215T	ECP83768T-5	1,953	SD	20.19	203	89.5	575	5.4	A	1, 16
7 1/2	3600	213T	ECP83769T-5	2,077	SD	19.31	182	90.2	575	6.9	A	1, 16
	1800	213T	ECP83770T-5	1,744	SD	19.31	202	91.7	575	7.2	A	1, 16
	1200	254T	ECP82276T-5	2,955	SD	24.68	302	91.7	575	8.7	A	1, 16
10	3600	215T	ECP83771T-5	2,211	SD	19.32	225	91.7	575	8.6	A	1, 16
	1800	215T	ECP83774T-5	2,065	SD	19.32	231	91.7	575	9.8	A	1, 16
	1200	256T	ECP82332T-5	3,596	SD	24.68	322	91.7	575	11.5	A	1, 16
15	3600	254T	ECP82394T-5	2,878	SD	24.68	239	91.7	575	13.8	A	1, 16
	1800	254T	ECP82333T-5	2,658	SD	25.06	280	92.4	575	14	A	1, 16
	1200	284T	ECP84100T-5	4,155	SD	27.44	445	92.4	575	14.9	A	1, 16
20	3600	256T	ECP84106T-5	3,299	SD	24.68	310	91.7	575	17.8	A	1, 16
	1800	256T	ECP82334T-5	2,874	SD	25.06	325	93	575	19	A	1, 16
	1200	286T	ECP84102T-5	5,599	SD	27.44	470	92.5	575	19.8	A	1, 16
25	3600	284TS	ECP84107T-5	4,034	SD	26.06	455	93	575	22.4	A	1, 16
	1800	284T	ECP84103T-5	3,728	SD	27.93	420	93.6	575	23.9	A	1, 16
	1200	324T	ECP84111T-5	5,901	SD	30.53	537	93	575	25.3	A	1, 16
30	3600	286TS	ECP84108T-5	4,832	SD	26.06	454	93	575	27.1	A	1, 16
	1800	286T	ECP84104T-5	4,390	SD	27.93	460	93.6	575	28	A	1, 16
	1200	326T	ECP84117T-5	7,679	SD	30.53	630	93	575	29	A	1, 16
40	3600	324TS	ECP84109T-5	6,611	SD	29.03	587	92.4	575	36	A	1, 16
	1800	324T	ECP84110T-5	5,845	SD	30.53	599	94.5	575	37	A	1, 16
	1200	364T	ECP84308T-5	9,401	SD	33.44	865	94.1	575	39.5	A	1, 16
50	3600	326TS	ECP84114T-5	6,896	SD	29.03	633	93	575	45	A	1, 16
	1800	326T	ECP84115T-5	6,863	SD	30.53	633	94.5	575	45.6	A	1, 16
	1200	365T	ECP84312T-5	10,012	SD	33.44	890	94.1	575	49.3	A	1, 16

(a) See notes on inside back flap.

**MEETS NRC CANADIAN STANDARDS FOR EFFICIENCY.**

■ Cast Iron Frame

General Information

Premium Efficient Super-E® Motors

Single Phase Motors

General Purpose Industrial Motors

Severe Duty Motors

Washdown Duty Motors

Explosion Proof Motors

Pump Motors

Light Industrial/Commercial Motors

HVAC Motors

IEEE 841, Three Phase, TEFC, 575 Volts, Foot Mounted

Hp	RPM	NEMA Frame	Catalog Number	List Price	Mult. Sym.	"C" Dim.	Aprx. Wt. (lb)	Full Load Efficiency	Voltage	Full Load Amps	EISA Status (a)	Notes (a)
60	3600	364TS	ECP84310T-5	10,191	SD	31.31	890	95.1	575	52.1	A	1, 16
	1800	364T	ECP84314T-5	9,113	SD	33.44	871	95	575	54.4	A	1, 16
	1200	404T	ECP84403T-5	12,978	SD	38.31	1220	95	575	55.2	A	1, 16
75	3600	365TS	ECP84313T-5	11,288	SD	31.31	978	95	575	64.5	A	1, 16
	1800	365T	ECP84316T-5	10,598	SD	33.44	953	95.4	575	68.7	A	1, 16
	1200	405T	ECP84404T-5	15,719	SD	38.31	1260	94.5	575	69.5	A	1, 16
100	3600	405TS	ECP84402T-5	13,527	SD	38.31	1231	95	575	88	A	1, 16
	1800	405T	ECP84400T-5	14,146	SD	38.31	1330	95.4	575	89.6	A	1, 16
	1200	444T	ECP84409T-5	17,291	SD	44.75	1670	95	575	92	A	1, 16
125	3600	444TS	ECP84412T-5	15,820	SD	40.98	1717	95.4	575	109	A	1, 16
	1800	444T	ECP84410T-5	16,047	SD	44.75	1784	95.8	575	111	A	1, 16
	1200	445T	ECP84411T-5	19,626	SD	44.75	1860	95.5	575	114	A	1, 16
150	3600	445TS	ECP84413T-5	18,180	SD	40.98	1947	96.2	575	131	A	1, 16
	1800	445T	ECP84406T-5	18,977	SD	44.75	1933	96.2	575	132	A	1, 16
	1200	447T	ECP844156TR-5	22,895	SD	48.24	2300	95.8	575	139	A	1, 5, 16
200	3600	445TS	ECP84416T-5	24,034	SD	43.92	1991	96.2	575	177	A	1, 16
	1800	447T	ECP84407T-5	22,831	SD	48.24	2390	96.2	575	176	A	1, 16
		447T	ECP84407TR-5	23,913	SD	48.24	2453	96.2	575	176	A	1, 5, 16
	1200	449T	ECP844206TR-5	30,062	SD	53.24	2590	96.2	575	178	A	1, 5, 16
250	3600	449TS	ECP844252T-5	38,724	SD	49.48	2712	96.2	575	213	B	1, 16
	1800	449T	ECP84408T-5	29,145	SD	53.24	2723	96.2	575	217	B	1, 16
		449T	ECP84408TR-5	30,198	SD	53.24	2727	96.2	575	218	B	1, 5, 16
<b>C-Face, Foot Mounted</b>												
2	1800	145TC	CECP83587T-5	1,112	SD	13.38	70	86.5	575	2.2	A	1, 16
3	1800	182TC	CECP83661T-5	1,449	SD	16.38	147	88.5	575	3	A	1, 16
5	1800	184TC	CECP83665T-5	1,457	SD	17.88	147	89.5	575	5.3	A	1, 16
7 1/2	1800	213TC	CECP83770T-5	1,846	SD	20.06	208	91.7	575	7.5	A	1, 16
10	1800	215TC	CECP83774T-5	2,231	SD	20.06	231	91.7	575	9.8	A	1, 16
15	1800	254TC	CECP82333T-5	3,055	SD	25.19	331	92.4	575	14	A	1, 16
20	1800	256TC	CECP82334T-5	3,232	SD	25.19	344	93	575	19	A	1, 16
25	1800	284TC	CECP84103T-5	4,536	SD	27.93	420	93.6	575	23.9	A	1, 16
30	1800	286TC	CECP84104T-5	5,195	SD	27.93	460	93.6	575	28	A	1, 16
50	1800	326TC	CECP84115T-5	7,751	SD	30.44	725	94.5	575	46.7	A	1, 16

(a) See notes on inside back flap.

MEETS NRC CANADIAN STANDARDS FOR EFFICIENCY.

Cast Iron Frame

General Information  
Premium Efficient Super-E® Motors  
Single Phase Motors  
General Purpose Industrial Motors  
Severe Duty Motors  
Washdown Duty Motors  
Explosion Proof Motors  
Pump Motors  
Light Industrial/Commercial Motors  
HVAC Motors

**661XL / IEEE 841,  
Three Phase,  
TEFC, 460 Volts,  
Foot Mounted**

**5 thru 75 Hp**

**NEMA 184T thru 365T**

**Applications:** Petroleum, chemical and other industries with belt driven heat exchangers requiring premium efficient motors designed to API 661 standards of 40,000 hours bearing life.

**Features:** Severe duty design with NEMA premium efficiency. Motors meet IEEE 841-2009 specifications for the chemical industry and incorporate roller bearings on 210 frames and larger for heavy belt loads. They have VBX / VBXX Inpro bearing isolators on both ends and a stainless drain in the lower end bracket for vertical shaft down. Shaft up requires removing plug in upper end and reversing drain. Motors have RTV sealed end bracket-to-frame fits, epoxy coated rotor and stator, alemite grease fittings with automatic grease relief fittings, lead lugs, low vibration, and quiet operation (below 90 dBA sound power). 5-year warranty.



Hp	RPM	NEMA Frame	Catalog Number	List Price	Mult. Sym.	"C" Dim.	Aprx. Wt. (lb)	Full Load Efficiency	Voltage	Full Load Amps	EISA Status (a)	Notes (a)
5	1800	184T	<a href="#">ECP63665T-4</a>	1,384	SD	17.12	142	89.5	460	6.6	A	1, 16
7 1/2	1800	213T	<a href="#">ECP63770TR-4</a>	1,982	SD	20.19	205	91.7	460	9.4	A	1, 5, 16
10	1800	215T	<a href="#">ECP63774TR-4</a>	2,302	SD	20.19	225	91.7	460	12.3	A	1, 5, 16
15	1800	254T	<a href="#">ECP62333TR-4</a>	2,973	SD	25.06	280	92.4	460	17.6	A	1, 5, 16
20	1800	256T	<a href="#">ECP62334TR-4</a>	3,189	SD	25.06	322	93	460	23.1	A	1, 5, 16
25	1800	284T	<a href="#">ECP64103TR-4</a>	4,123	SD	27.93	422	93.6	460	30.5	A	1, 5, 16
30	1800	286T	<a href="#">ECP64104TR-4</a>	4,784	SD	27.93	460	93.6	460	35	A	1, 5, 16
40	1800	324T	<a href="#">ECP64110TR-4</a>	6,347	SD	30.53	600	94.5	460	46	A	1, 5, 16
50	1800	326T	<a href="#">ECP64115TR-4</a>	7,366	SD	30.53	700	94.5	460	57	A	1, 5, 16
60	1800	364T	<a href="#">ECP64314TR-4</a>	9,664	SD	33.44	902	95	460	68	A	1, 5, 16
75	1800	365T	<a href="#">ECP64316TR-4</a>	11,149	SD	33.44	951	95.4	460	85.9	A	1, 5, 16

(a) See notes on inside back.

All ratings are 1.15 service factor at 40°C ambient. All ratings meet 50°C ambient at 1.00 service factor and weatherproof intent of IEEE 45 and USCG 259 marine duty (below deck).

■ Cast Iron Frame

General Information

Premium Efficient Super-E® Motors

Single Phase Motors

General Purpose Industrial Motors

Severe Duty Motors

Washdown Duty Motors

Explosion Proof Motors

Pump Motors

Light Industrial/Commercial Motors

HVAC Motors

**Medium Voltage,  
Three Phase,  
2300/4000 Volts,  
TEFC, Foot Mounted**

**200 thru 700 Hp**

**G449 thru G5012**

**Applications:** Petroleum and chemical, mines, foundries, pulp and paper, power generation and waste/water facilities. Suitable for tropical climates and industrial process applications requiring protection against corrosion caused by severe environmental operating conditions.

**Features:** Premium efficiency (95% or higher), cast iron frame, end shields and inner caps, carbon steel fan cover and air deflector, ground lug in the conduit box, epoxy enamel paint, stainless steel breather and drain, DE shaft slinger, epoxy coating on the rotor OD, stator ID and windings. Stock motors include a three year warranty, precision balance, 100 ohm platinum winding RTD's and space heaters. The "S" shafts are for coupled loads and are not convertible to roller bearings. The "L" shafts are ball bearing and convertible to roller bearing. Belted duty "LR" shafts are roller bearing and convertible to ball bearing. All "L" and "LR" shafts are Class II material.



Hp	RPM	NEMA Frame	Catalog Number	List Price	Mult. Sym.	"C" Dim.	Aprx. Wt. (lb)	Full Load Efficiency	Voltage	Full Load Amps	EISA Status (a)	Notes (a)
200	3600	G449TS	<a href="#">ECP44202T-2340</a>	46,094	LM	49.48	2300	95	2300/4000	25	C	1, 27, 64
	1800	G449T	<a href="#">ECP44204T-2340</a>	44,894	LM	53.24	2228	95	2300/4000	26	C	1, 27, 64
250	3600	G5008	<a href="#">ECP50252S-2340</a>	72,523	LM	48.93	5300	95	2300/4000	32	C	1, 64
	1800	G5008	<a href="#">ECP50254L-2340</a>	71,137	LM	48.93	4700	95	2300/4000	33	C	1, 27, 64
		G5008	<a href="#">ECP50254S-2340</a>	68,831	LM	48.93	5900	95	2300/4000	33	C	1, 27, 64
	1200	G5008	<a href="#">ECP50256LR-2340</a>	78,954	LM	48.93	5650	95	2300/4000	34	C	1, 5, 64
300	3600	G5008	<a href="#">ECP50302S-2340</a>	74,637	LM	48.93	5300	95.2	2300/4000	38	C	1, 27, 64
	1800	G5008	<a href="#">ECP50304L-2340</a>	72,875	LM	48.93	5140	95	2300/4000	40	C	1, 27, 64
		G5008	<a href="#">ECP50304S-2340</a>	70,569	LM	48.93	5900	95	2300/4000	40	C	1, 27, 64
	1200	G5010	<a href="#">ECP50306LR-2340</a>	81,347	LM	48.93	5650	95	2300/4000	40	C	1, 5, 64
350	3600	G5008	<a href="#">ECP50352S-2340</a>	76,438	LM	48.93	6000	95	2300/4000	44	C	1, 27, 64
	1800	G5008	<a href="#">ECP50354L-2340</a>	74,622	LM	48.93	6000	95.1	2300/4000	47	C	1, 27, 64
		G5008	<a href="#">ECP50354S-2340</a>	72,317	LM	48.93	6000	95.1	2300/4000	47	C	1, 27, 64
	1200	G5010	<a href="#">ECP50356LR-2340</a>	87,287	LM	48.93	6600	95	2300/4000	46	C	1, 5, 64
400	3600	G5010	<a href="#">ECP50402S-2340</a>	78,767	LM	48.93	6000	95.1	2300/4000	51	C	1, 27, 64
	1800	G5008	<a href="#">ECP50404L-2340</a>	76,406	LM	48.93	4036	95.3	2300/4000	54	C	1, 27, 64
		G5008	<a href="#">ECP50404S-2340</a>	74,100	LM	48.93	6000	95.3	2300/4000	54	C	1, 27, 64
	1200	G5012	<a href="#">ECP50406LR-2340</a>	90,232	LM	48.93	6600	95.2	2300/4000	53	C	1, 5, 64
450	1800	G5010	<a href="#">ECP50454L-2340</a>	78,121	LM	48.93	6200	95.5	2300/4000	59	C	1, 27, 64
	1200	G5012	<a href="#">ECP50456S-2340</a>	92,150	LM	48.93	5800	95.2	2300/4000	60	C	1, 27, 64
500	3600	G5010	<a href="#">ECP50502S-2340</a>	87,084	LM	48.93	5500	95.5	2300/4000	63	C	1, 27, 64
	1800	G5010	<a href="#">ECP50504L-2340</a>	81,137	LM	48.93	5500	95.7	2300/4000	65	C	1, 27, 64
	1200	G5012	<a href="#">ECP50506LR-2340</a>	100,698	LM	48.93	6600	95.2	2300/4000	66	C	1, 5, 64
600	3600	G5010	<a href="#">ECP50602S-2340</a>	85,436	LM	48.93	5500	95.2	2300/4000	76	C	1, 27, 64
	1800	G5012	<a href="#">ECP50604L-2340</a>	75,667	LM	48.93	5500	95.4	2300/4000	79	C	1, 27, 64
700	1800	G5012	<a href="#">ECP50704L-2340</a>	86,814	LM	79.14	5000	95.6	2300/4000	89	C	1, 27, 64
		G5012	<a href="#">ECP50704S-2340</a>	86,814	LM	48.93	6500	95.6	2300/4000	92	C	1, 27, 64

(a) See notes on inside back flap.

All ratings are 1.00 service factor, Class B rise and 1.15 service factor, Class F rise at 40°C ambient. All ratings meet 50°C ambient at 1.00 service factor and IP54 Ingress protection marine duty (below deck).

Custom TEFC motors available through 2,250 Hp; Open and WPIL custom motors through 15,000 Hp. Contact your Baldor•Reliance Sales Representative.

■ Cast Iron Frame

General Information

Premium Efficient Super-E® Motors

Single Phase Motors

General Purpose Industrial Motors

Severe Duty Motors

Washdown Duty Motors

Explosion Proof Motors

Pump Motors

Light Industrial/Commercial Motors

HVAC Motors



## Baldor Above NEMA Motor Capabilities Overview

The reach of Baldor's Above NEMA Motor product offering is vast. It extends well beyond NEMA frames to ratings as high as 15,000 Hp and as low as 300 RPM. This includes an extensive range of proven cast iron and fabricated steel motors well suited for both General Purpose the Custom (critical service) applications.

Note the following charts which apply to motors meeting these NEMA standards:

- 650% Inrush current
- Equal or greater than NEMA, Part 20 design torques (as described by NEMA for Above NEMA Motors)
- Standard NEMA voltage for each horsepower rating

- Minimum 90% Reduced Voltage Start
- NEMA specified (or less) load inertia applied to the motor shaft
- Inverter powered capabilities limited to Variable Torque loads
- Altitude below 3300 feet (above sea level)
- Operating ambient of 40°C (or lower)
- Horizontal foot mounted
- Centrifugal loads
- Direct coupled

The list of Baldor•Reliance Custom design capabilities and features is even more impressive. Please contact a Baldor office for details.

**Enclosures: TEFC & TEAAC**

	2	4	6	8	10	12	14	16	18	20	22	24
	3600	1800	1200	900	720	600	514	450	400	360	327	300
150												
200												
250												
300												
350												
400												
450												
500												
600												
700												
800												
900												
1000												
1250												
1500												
1750												
2000												
2250												
2500												
2750												
3000												
3500												
4000												
4500												
5000												
6000												
7000												
8000												
9000												
10000												
12000												
15000												

**Enclosures: ODP, WPI, WPII, TEWAC & TEFV**

	2	4	6	8	10	12	14	16	18	20	22	24
	3600	1800	1200	900	720	600	514	450	400	360	327	300
150												
200												
250												
300												
350												
400												
450												
500												
600												
700												
800												
900												
1000												
1250												
1500												
1750												
2000												
2250												
2500												
2750												
3000												
3500												
4000												
4500												
5000												
6000												
7000												
8000												
9000												
10000												
12000												
15000												

**Important Notes:**

- Fabricated frames will be TEAAC enclosure.
- In many cases, fabricated frames utilize an enhanced cooling blower package to reduce noise levels.

**Important Notes:**

- Application conditions outside of "NEMA" standards may move a rating to a different frame size.
- 1750 Hp to 2500 Hp 3600 RPM will normally be a cast frame rating, unless there is a requirement for "stiff shaft" design.
- Enhanced cooling blower systems (provided on the motor) may be required at the top end of a frame size.

General Information

Premium Efficient Super-E® Motors

Single Phase Motors

General Purpose Industrial Motors

Severe Duty Motors

Washdown Duty Motors

Explosion Proof Motors

Pump Motors

Light Industrial/ Commercial Motors

HVAC Motors

**BALDOR • RELIANCE**

**Quarry Duty Motors, 2 thru 50 Hp**  
**Three Phase, TEFC, Design C, High Torque**

**NEMA 145T thru 326T**

**Applications:** Conveyors, gear reducers and applications requiring NEMA Design C torques.

**Features:** Heavy-gauge steel and cast-iron frames, Ball bearings and gasketed conduit boxes. Class F insulation. Class B rise, 1.15 service factor, low-loss electrical grade lamination steel.



Hp	RPM	NEMA Frame	Catalog Number	List Price	Mult. Sym.	"C" Dim.	Aprx. Wt. (lb)	Full Load Efficiency	Voltage	Full Load Amps	EISA Status <sup>(a)</sup>	Notes <sup>(a)</sup>
<b>Foot Mounted</b>												
2	1800	145T	<b>M3558T-9</b>	526	L1	13.31	45	84	208-230/460	3.1	B	
3	1800	182T	<b>M3611T-9</b>	617	L1	15.17	57	87.5	208-230/460	4.3	B	1
5	1800	184T	<b>M3615T-9</b>	712	L1	18.05	86	88.5	230/460	6.6	B	1
		184T	<b>M3665T-9</b>	968	L1	15.62	146	87.5	230/460	7	B	1
7 1/2	1800	213T	<b>M3710T-9</b>	905	L1	17.89	120	89.5	230/460	9.7	B	1
10	1800	215T	<b>M3714T-9</b>	1,053	L1	19.01	141	89.5	230/460	13.9	B	1
15	1800	254T	<b>M2333T-9</b>	1,860	L1	23.28	239	91	208-230/460	18.7	B	1
20	1800	256T	<b>M2334T-9</b>	2,245	L1	23.28	280	91	208-230/460	25.5	B	1
25	1800	284T	<b>M4103T-9</b>	2,784	L1	27.76	475	92.4	208-230/460	30	B	1
30	1800	286T	<b>M4104T-9</b>	3,289	L1	27.56	479	92.4	208-230/460	37	B	1
40	1800	324T	<b>M4110T-9</b>	4,363	L1	30.28	610	93	208-230/460	47	B	1
50	1800	326T	<b>M4115T-9</b>	4,516	L1	30.28	629	93	208-230/460	59	B	1
<b>C-Face, Footless</b>												
3	1800	182TC	<b>VM3661T-9</b>	949	L1	15.99	85	87.5	230/460	4.3	B	1
5	1800	184TC	<b>VM3665T-9</b>	973	L1	15.99	100	87.5	230/460	6.6	B	1

<sup>(a)</sup> See notes on inside back flap.

■ Cast Iron Frame

General Information

Premium Efficient Super-E® Motors

Single Phase Motors

General Purpose Industrial Motors

Severe Duty Motors

Washdown Duty Motors

Explosion Proof Motors

Pump Motors

Light Industrial/Commercial Motors

HVAC Motors

**Crusher Motors,  
Three Phase,  
TEFC, 460 Volt,  
Foot Mounted**

**75 thru 350 Hp**

**NEMA 404T thru L449T**

**Applications:** Belt-driven rock crushers, pellet mills, and other applications requiring motors rated for severe duty service and high starting torques.

**Features:** High torque design exceeds NEMA Design C locked rotor, pull up, and breakdown torques. 1.15 Service Factor. Corrosion resistant epoxy finish. Regreasable bearing. Oversize, rotatable cast iron conduit box. V-Ring shaft seal. Moisture resistant copper windings with Class F insulation. Stainless steel nameplate and corrosion resistant hardware. Pulley end roller bearings and high strength steel shaft for belted loads only; not suitable for direct coupled loads.



Hp	RPM	NEMA Frame	Catalog Number	List Price	Mult. Sym.	"C" Dim.	Aprx. Wt. (lb)	Full Load Efficiency	Voltage	Full Load Amps	EISA Status <sup>(a)</sup>	Notes <sup>(a)</sup>
75	1200	404T	CR4404TR-4	13,175	SD	38.31	1160	93.6	460	99	D	1, 5
		405T	ECR4404TR-4	14,229	SD	38.31	1305	94.5	460	98	A	1, 5
100	1800	405T	CR4400TR-4	9,973	SD	38.31	1259	93	460	118	D	1, 5
		405T	ECR4400TR-4	10,772	SD	38.31	1281	95.4	460	118	A	1, 5
	1200	444T	CR4409TR-4	13,609	SD	44.75	1783	93.6	460	127	D	1, 5
		444T	ECR4409TR-4	14,698	SD	44.75	1765	95	460	127	A	1, 5
125	1800	444T	CR4410TR-4	12,691	SD	44.75	1722	93	460	146	D	1, 5
		444T	ECR4410TR-4	13,706	SD	44.75	1781	95.4	460	146	A	1, 5
	1200	445T	CR4411TR-4	15,375	SD	44.75	1780	93.6	460	159	D	1, 5
		445T	ECR4411TR-4	16,605	SD	44.75	1884	95	460	159	A	1, 5
150	1800	445T	CR4406TR-4	14,864	SD	44.75	1811	93.6	460	175	D	1, 5
		445T	ECR4406TR-4	16,053	SD	44.75	1922	95.8	460	175	A	1, 5
	1200	447T	CR44156TR-4	17,334	SD	48.24	2078	94.5	460	187	D	1, 5
		447T	ECR44156TR-4	18,721	SD	48.24	2048	95.8	460	187	A	1, 5
200	1800	447T	CR4407TR-4	17,886	SD	48.24	2215	94.5	460	236	D	1, 5
		447T	ECR4407TR-4	19,317	SD	48.24	2077	96.2	460	236	A	1, 5
	1200	449T	CR44206TR-4	22,702	SD	53.24	2471	95	460	238	D	1, 5
		449T	ECR44206TR-4	24,518	SD	53.24	2848	95.8	460	238	A	1, 5
250	1800	449T	CR4408TR-4	23,006	SD	53.24	2526	95.4	460	284	D	1, 5
	1200	449T	CR44256TR-4	32,567	SD	53.24	2719	95.4	460	295	D	1, 5
300	1800	449T	CR44304TR-4	31,130	SD	53.24	2345	95.4	460	353	D	1, 5
	1200	L449T	CR44306TR-4	42,361	SD	60.21	3669	95.8	460	371	D	1, 5
350	1800	449T	CR44354TR-4	36,952	SD	60.21	2925	95.8	460	404	D	1, 5

<sup>(a)</sup> See notes on inside back flap.

■ Cast Iron Frame

General Information

Premium Efficient Super-E® Motors

Single Phase Motors

General Purpose Industrial Motors

Severe Duty Motors

Washdown Duty Motors

Explosion Proof Motors

Pump Motors

Light Industrial/Commercial Motors

HVAC Motors

**Dirty Duty,  
Three Phase,  
TEFC**

**1/2 thru 15 Hp**

**NEMA 56 thru 254T**

**Applications:** Petro-chemical plants, mines, foundries, pulp and paper plants, waste management facilities, chemical plants, tropical climates and other processing industry applications requiring protection against corrosion caused by severe environmental operating conditions.

**Features:** 1.0 Service Factor at 50°C ambient, weatherproof per IEEE 45 and USCG 259 marine duty (below deck duty only). 416 stainless steel shaft for corrosion protection from severe conditions.



General Information

Premium Efficient Super-E® Motors

Single Phase Motors

General Purpose Industrial Motors

Severe Duty Motors

Washdown Duty Motors

Explosion Proof Motors

Pump Motors

Light Industrial/Commercial Motors

HVAC Motors

Hp	RPM	NEMA Frame	Catalog Number	List Price	Mult. Sym.	"C" Dim.	Aprx. Wt. (lb)	Full Load Efficiency	Voltage	Full Load Amps	EISA Status (a)	Notes (a)
<b>Foot Mounted, No Drip Cover</b>												
1/2	1800	56	M8001	516	SD	11.35	26	74	230/460	1	C	1, 30
3/4	1800	56	M8002	656	SD	11.35	29	75.5	230/460	1.5	C	1, 30
1	1800	56	M8003	717	SD	12.85	35	78.5	208-230/460	1.7	C	1
		143T	EM8003T	1,014	SD	13.31	47	85.5	230/460	1.5	A	1, 30
		143T	M8003T	809	SD	12.75	57	82.5	208-230/460	1.6	D	1
1 1/2	1800	145T	EM8004T	998	SD	14.19	49	86.5	230/460	2.1	A	1, 30
		145T	M8004T	790	SD	12.75	60	84	208-230/460	2.4	D	1
2	1800	145T	EM8005T	1,066	SD	14.19	52	86.5	208-230/460	2.7	A	1
		145T	M8005T	837	SD	12.75	64	84	208-230/460	3.1	D	1
3	1800	182T	EM8006T	1,269	SD	18.05	74	89.5	230/460	4.2	A	1, 30
		182T	M8006T	1,084	SD	15.93	104	87.5	208-230/460	4.1	D	1
5	1800	184T	EM8007T	1,392	SD	18.05	100	89.5	230/460	6.5	A	1, 30
		184T	M8007T	1,219	SD	15.93	113	87.5	208-230/460	6.7	D	1
7 1/2	1800	213T	EM8008T	1,622	SD	19.02	135	91.7	230/460	9.4	A	1, 30
		213T	M8008T	1,485	SD	19.32	191	89.5	208-230/460	10.3	D	1
10	1800	215T	EM8009T	2,092	SD	20.52	168	91.7	230/460	12.5	A	1, 30
		215T	M8009T	1,763	SD	19.32	170	89.5	208-230/460	13	D	1
15	1800	254T	EM8010T	2,854	SD	21.94	255	92.4	230/460	18.5	A	1, 30
		254T	M8010T	2,521	SD	21.94	260	91	208-230/460	18.5	D	1
<b>C-Face, Foot Mounted, No Drip Cover</b>												
1/2	3600	56C	CM8537	538	SD	11.34	26	68	230/460	0.8	C	1
	1800	56C	CM8001	561	SD	11.34	29	74	230/460	1.7	C	1
	1200	56C	CM8539	731	SD	11.34	30	72	230/460	1.2	C	1
3/4	1800	56C	CM8002	701	SD	11.34	32	75.5	230/460	1.5	C	1
	1200	56C	CM8543	861	SD	12.84	38	77	208-230/460	1.5	C	1
1	1800	56C	CM8003	762	SD	12.84	38	78.5	208-230/460	1.7	C	1
	1200	56C	CM8556	919	SD	13.24	39	75.5	208-230/460	1.7	C	1
1 1/2	1800	56C	CM8004	835	SD	12.24	41	78.5	208-230/460	2.5	C	1
<b>C-Face, Footless, No Drip Cover</b>												
1/2	3600	56C	VM8537	528	SD	11.35	25	68	230/460	0.8	C	1
	1800	56C	VM8001	539	SD	11.35	27	74	230/460	1	C	1, 30
		56C	VM8001-5	539	SD	11.35	33	74	575	0.8	C	1
3/4	3600	56C	VM8541	667	SD	11.35	27	74	230/460	1.3	C	1, 30
	1800	56C	VM8002	679	SD	11.35	30	75.5	230/460	1.5	C	1, 30
		56C	VM8002-5	679	SD	11.35	31	75.5	575	1.2	C	1
1	3600	56C	VM8012	670	SD	11.35	28	75.5	230/460	1.8	C	1, 30
		56C	VM8003	731	SD	12.85	36	78.5	208-230/460	1.7	C	1
	1800	143TC	VM8003T-5	1,113	SD	13.31	60	85.5	575	1.1	B	1
		143TC	VM8003T	826	SD	13.25	53	82.5	208-230/460	1.7	B	1
		143TC	VM8003T-5	826	SD	13.25	54	82.5	575	1.1	B	1

(a) See notes on inside back flap.  
Dirty duty not recommended for a chlorine atmosphere.

■ Cast Iron Frame

**Dirty Duty, Three Phase, TEFC**

Hp	RPM	NEMA Frame	Catalog Number	List Price	Mult. Sym.	"C" Dim.	Aprx. Wt. (lb)	Full Load Efficiency	Voltage	Full Load Amps	EISA Status <sup>(a)</sup>	Notes <sup>(a)</sup>	
1 1/2	3600	56C	VM8550	793	SD	12.24	37	82.5	208-230/460	2.1	C	1	
	1800	56C	VM8004	779	SD	12.24	41	78.5	208-230/460	2.5	C	1	
		145TC	VM8004T-5	957	SD	14.19	63	86.5	575	1.6	B	1	
		145TC	VM8004T	810	SD	13.25	56	84	208-230/460	2.5	B	1	
		145TC	VM8004T-5	810	SD	13.25	65	84	575	1.7	B	1	
2	3600	56C	VM8016	841	SD	12.69	61	78.5	208-230/460	2.7	C	1	
	1800	145TC	VM8016T	908	SD	13.25	61	84	208-230/460	2.7	B	1	
		56C	VM8005	791	SD	12.69	65	82.5	208-230/460	3.1	C	1	
		145TC	VM8005T-5	1,022	SD	14.17	67	86.5	575	2.2	B	1	
		145TC	VM8005T	854	SD	13.25	64	84	208-230/460	3.1	B	1	
3	1800	145TC	VM8005T-5	854	SD	13.25	68	84	575	2.2	B	1	
		3600	145TC	VM8559T	992	SD	13.25	73	85.5	208-230/460	3.7	B	1
		1800	182TC	VM8006T	1,163	SD	16.69	98	87.5	208-230/460	4.3	B	1
5	1800	184TC	VM8007T	1,300	SD	16.69	110	87.5	208-230/460	6.6	B	8	
7 1/2	1800	213TC	VM8008T	1,677	SD	20.06	180	89.5	208-230/460	10.3	B	1	
10	1800	215TC	VM8024T	1,885	SD	20.06	185	89.5	208-230/460	13.8	B	8	

<sup>(a)</sup> See notes on inside back flap.  
 Dirty duty not recommended for a chlorine atmosphere.  
 ■ Cast Iron Frame

General Information

Premium Efficient Super-E® Motors

Single Phase Motors

General Purpose Industrial Motors

Severe Duty Motors

Washdown Duty Motors

Explosion Proof Motors

Pump Motors

Light Industrial/Commercial Motors

HVAC Motors



**Dirty Duty,  
Autophoretic,  
Three Phase,  
230/460 Volts,  
C-Face**

1/2 thru 10 Hp

NEMA 56C thru 256TC

**Applications:** The most severe and corrosive applications, those which use intense high-pressure washdown, and marine applications. Corrosion-resistant autophoretic coating on steel and cast-iron components.

**Features:** Corrosion-resistant autophoretic coating on steel and cast iron components, stainless steel shaft extension, non-contact rotating labyrinth shaft seal on drive and fan ends, threaded drain ports, stainless steel plugs, gasketed and sealed conduit box, FDA approved surface coating, IP56 enclosure. Weatherproof per IEEE 45 and USCG 259 marine duty (below deck duty only). Class F insulated motor with 1.15 service factor.



Hp	RPM	NEMA Frame	Encl.	Catalog Number	List Price	Mult. Sym.	"C" Dim.	Aprx. Wt. (lb)	Full Load Efficiency	Voltage	Full Load Amps	EISA Status (a)	Notes (a)
<b>Foot Mounted</b>													
1/2	1800	56C	TENV	<b>CWAM3538</b>	630	SD	11.05	37	75.5	230/460	0.8	C	1, 30, 60
3/4	1800	56C	TENV	<b>CWAM3542</b>	727	SD	11.05	37	78.5	230/460	1.4	C	1, 30, 60
1	3600	56C	TEFC	<b>CWAM3545</b>	750	SD	12.28	37	74	208-230/460	1.6	C	1
	1800	56C	TENV	<b>CWAM3546</b>	753	SD	12.05	46	81.5	208-230/460	1.6	C	1, 60
		143TC	TENV	<b>CWAM3546T</b>	753	SD	12.12	46	81.5	208-230/460	1.6	C	1, 60
	1200	56C	TEFC	<b>CWAM3556</b>	970	SD	13.28	46	75.5	208-230/460	1.7	C	1
1 1/2	3600	56C	TEFC	<b>CWAM3550</b>	840	SD	13.28	41	75.5	208-230/460	2.3	C	1
	1800	145TC	TENV	<b>CWAM3554T</b>	788	SD	12.12	52	85.5	208-230/460	2.3	C	1, 60
	1200	56C	TEFC	<b>CWAM3557</b>	1,100	SD	13.28	47	75.5	230/460	2.5	C	1
2	3600	56C	TEFC	<b>CWAM3555</b>	924	SD	13.28	49	78.5	208-230/460	2.7	C	1
	1800	56C	TEFC	<b>CWAM3558</b>	970	SD	13.28	52	84	208-230/460	2.8	C	1, 60
		145TC	TEFC	<b>CEWAM3558T</b>	1,184	SD	14.16	58	86.5	208-230/460	2.7	A	1
		145TC	TEFC	<b>CWAM3558T</b>	970	SD	13.35	49	84	208-230/460	3.1	D	1
	1200	184TC	TEFC	<b>CWAM3614T</b>	1,238	SD	16.60	89	86.5	208-230/460	3.5	D	1
3	3600	145TC	TEFC	<b>CEWAM3559T</b>	1,278	SD	15.61	71	86.5	208-230/460	3.5	A	1
	1800	145TC	TEFC	<b>CWAM3559T</b>	1,135	SD	14.23	60	85.5	208-230/460	3.7	D	1
		182TC	TEFC	<b>CEWAM3611T</b>	1,390	SD	16.60	72	89.5	208-230/460	4.1	A	1
		182TC	TEFC	<b>CWAM3611T</b>	1,185	SD	16.60	86	87.5	208-230/460	4.1	D	1
		213TC	TEFC	<b>CEWAM3704T</b>	1,829	SD	19.76	132	89.5	208-230/460	4.6	A	1
	1200	213TC	TEFC	<b>CWAM3704T</b>	1,546	SD	18.63	130	87.5	208-230/460	4.6	D	1
5	3600	184TC	TEFC	<b>CEWAM3613T</b>	1,412	SD	16.60	81	88.5	208-230/460	5.6	A	1
		184TC	TEFC	<b>CWAM3613T</b>	1,327	SD	16.60	85	87.5	208-230/460	5.8	D	1
	1800	184TC	TEFC	<b>CEWAM3615T</b>	1,574	SD	18.10	107	89.5	208-230/460	6.5	A	1
		184TC	TEFC	<b>CWAM3615T</b>	1,380	SD	16.60	96	87.5	208-230/460	7.1	D	1
		215TC	TEFC	<b>CEWAM3708T</b>	2,291	SD	20.51	149	89.5	208-230/460	7.2	A	1
7 1/2	3600	184TC	TEFC	<b>CWAM3616T</b>	1,756	SD	18.10	103	88.5	208-230/460	8.7	D	1
		213TC	TEFC	<b>CEWAM3709T</b>	2,104	SD	18.63	121	89.5	208-230/460	8.6	A	1
	1800	213TC	TEFC	<b>CEWAM3710T</b>	2,079	SD	19.76	142	91.7	208-230/460	9.4	A	1
		213TC	TEFC	<b>CWAM3710T</b>	1,697	SD	18.63	132	89.5	208-230/460	10.1	D	1
	1200	254TC	TEFC	<b>CEWAM22976T</b>	3,647	SD	23.57	255	91	208-230/460	10.7	A	1
		254TC	TEFC	<b>CWAM22976T</b>	3,024	SD	23.57	213	89.5	208-230/460	11.2	D	1
10	3600	215TC	TEFC	<b>CEWAM3711T</b>	2,123	SD	19.76	156	90.2	208-230/460	11.5	A	1
		215TC	TEFC	<b>CWAM3711T</b>	2,012	SD	18.63	144	89.5	208-230/460	11.5	D	1
	1800	215TC	TEFC	<b>CEWAM3714T</b>	2,293	SD	21.26	165	91.7	208-230/460	12	A	1
		215TC	TEFC	<b>CWAM3714T</b>	1,932	SD	19.76	149	89.5	208-230/460	13.5	D	1
	1200	256TC	TEFC	<b>CEWAM23932T</b>	4,100	SD	23.57	276	91	208-230/460	15.1	A	1
		256TC	TEFC	<b>CWAM23932T</b>	3,342	SD	23.57	250	89.5	208-230/460	15.3	D	1

(a) See notes on inside back flap.

General Information  
Premium Efficient Super-E® Motors  
Single Phase Motors  
General Purpose Industrial Motors  
Severe Duty Motors  
Washdown Duty Motors  
Explosion Proof Motors  
Pump Motors  
Light Industrial/Commercial Motors  
HVAC Motors

**Dirty Duty, Autophoretic, Three Phase, 230/460 Volts, C-Face**

Hp	RPM	NEMA Frame	Encl.	Catalog Number	List Price	Mult. Sym.	"C" Dim.	Aprx. Wt. (lb)	Full Load Efficiency	Voltage	Full Load Amps	EISA Status <sup>(a)</sup>	Notes <sup>(a)</sup>
<b>Footless</b>													
1/2	1800	56C	TENV	<b>VWAM3538</b>	623	SD	11.05	38	75.5	208-230/460	0.8	C	1, 60
3/4	1800	56C	TENV	<b>VWAM3542</b>	721	SD	11.05	37	78.5	208-230/460	1.4	C	1, 60
1	1800	56C	TENV	<b>VWAM3546</b>	748	SD	12.05	45	81.5	208-230/460	1.6	C	1, 60
		143TC	TENV	<b>VWAM3546T</b>	748	SD	12.13	43	81.5	208-230/460	1.6	C	1, 60
1 1/2	1800	56C	TENV	<b>VWAM3554</b>	784	SD	12.05	47	85.5	208-230/460	2.3	C	1, 60
		145TC	TENV	<b>VWAM3554T</b>	784	SD	12.13	48	85.5	208-230/460	2.3	C	1, 60
2	1800	56C	TEFC	<b>VWAM3558</b>	965	SD	13.28	48	82.5	208-230/460	3.1	C	1
		145TC	TEFC	<b>VWAM3558T</b>	1,042	SD	13.35	48	84	208-230/460	3.1	B	1
3	1800	182TC	TEFC	<b>VWAM3611T</b>	1,261	SD	15.23	62	87.5	208-230/460	4.1	B	1
5	1800	184TC	TEFC	<b>VWAM3615T</b>	1,470	SD	16.60	90	87.5	208-230/460	6.6	B	1
7 1/2	1800	213TC	TEFC	<b>VWAM3710T</b>	1,797	SD	18.63	134	89.5	208-230/460	10.9	B	1
10	1800	215TC	TEFC	<b>VWAM3714T</b>	2,049	SD	19.76	144	89.5	208-230/460	13.5	B	1

<sup>(a)</sup> See notes on inside back flap.

General Information

Premium Efficient Super-E® Motors

Single Phase Motors

General Purpose Industrial Motors

Severe Duty Motors

Washdown Duty Motors

Explosion Proof Motors

Pump Motors

Light Industrial/Commercial Motors

HVAC Motors

Single and Three Phase, Totally Enclosed

1/2 thru 20 Hp

NEMA 56C thru 256TC

**Applications:** Food processing and other applications where motors receive washdown on a regular basis.

**Features:** 300 series stainless steel hardware, moisture sealant on bolt heads, between frame and endplates. Neoprene gaskets. Double sealed ball bearings. Lip and V-Ring seal on drive end; slinger on ODE of TEFC motors. Stainless steel shaft extension. Electrostatically applied epoxy finish over autophoretic primer. Class F insulation. EWDM, CEWDM and VEWDM Super-E® motors have NEMA Premium® efficiency and 3 year warranty.



Hp	RPM	NEMA Frame	Encl.	Catalog Number	List Price	Mult. Sym.	"C" Dim.	Aprx. Wt. (lb)	Full Load Efficiency	Voltage	Full Load Amps	EISA Status (a)	Notes (a)
<b>Single Phase, C-Face, Foot Mounted</b>													
1/2	1800	56C	TEFC	CWDL3504	546	WD	12.23	34	64	115/230	4	C	1, 30
3/4	1800	56C	TEFC	CWDL3507	635	WD	12.23	33	68	115/230	5.5	C	1, 30
1	3600	56C	TEFC	CWDL3509	552	WD	12.23	37	68	115/230	5.9	C	1, 30
	1800	56C	TEFC	CWDL3510	731	WD	13.23	37	67	115/230	6.4	C	1, 30
1 1/2	3600	56C	TEFC	CWDL3513	736	WD	13.23	42	70	115/230	8	C	1, 30
	1800	56C	TEFC	CWDL3514	875	WD	14.12	48	75.5	115/230	8	C	1, 30
<b>Single Phase, C-Face, Footless</b>													
1/2	1800	56C	TEFC	VWDL3504	523	WD	12.25	35	64	115/230	4	C	1, 30
3/4	1800	56C	TEFC	VWDL3507	615	WD	12.25	35	68	115/230	5.5	C	1, 30
1	1800	56C	TEFC	VWDL3510	704	WD	13.25	39	67	115/230	6.4	C	1, 30
1 1/2	1800	56C	TEFC	VWDL3514	845	WD	14.10	46	75.5	115/230	8	C	1, 30
<b>Three Phase, Foot Mounted</b>													
1/2	1800	56	TENV	WDM3538	547	WD	11.06	30	75.5	230/460	0.8	C	1, 30, 60
3/4	1800	56	TENV	WDM3542	585	WD	11.06	32	78.5	230/460	1.4	C	1, 30, 60
1	1800	143T	TENV	EWDM3546T	817	WD	12.12	42	85.5	208-230/460	1.4	C	1, 60
		143T	TENV	WDM3546T	613	WD	12.12	39	81.5	208-230/460	1.6	C	1, 60
1 1/2	1800	145T	TENV	EWDM3554T	898	WD	13.00	47	86.5	230/460	2	C	1, 30, 60
		145T	TENV	WDM3554T	670	WD	12.12	41	85.5	208-230/460	2.3	C	1, 60
2	1800	145T	TEFC	EWDM3558T	1,054	WD	14.18	49	86.5	208-230/460	2.7	A	1
		145T	TEFC	WDM3558T	744	WD	13.30	44	84	208-230/460	3.1	D	1
3	1800	182T	TEFC	EWDM3611T	1,316	WD	16.54	72	89.5	208-230/460	4.1	A	1
		182T	TEFC	WDM3611T	983	WD	16.54	68	87.5	208-230/460	4.1	D	1
5	1800	184T	TEFC	EWDM3615T	1,498	WD	18.03	93	89.5	230/460	6.5	A	1, 30
		184T	TEFC	WDM3615T	1,123	WD	16.54	78	87.5	208-230/460	7.1	D	1
7 1/2	1800	213T	TEFC	EWDM3710T	1,875	WD	19.04	134	91.7	230/460	9.4	A	1, 30
		213T	TEFC	WDM3710T	1,402	WD	17.89	127	89.5	208-230/460	10.1	D	1
10	1800	215T	TEFC	EWDM3714T	2,043	WD	20.54	158	91.7	230/460	12	A	1, 30
		215T	TEFC	WDM3714T	1,492	WD	19.04	129	89.5	208-230/460	13.5	D	1
<b>Three Phase, C-Face, Foot Mounted</b>													
1/2	3600	56C	TENV	CWDM3537	532	WD	11.07	27	70	208-230/460	0.9	C	1, 60
	1800	56C	TENV	CWDM3538	576	WD	11.07	31	75.5	230/460	0.8	C	1, 30, 60
	1200	56C	TENV	CWDM3539	728	WD	12.06	37	77	230/460	1	C	1, 30, 60
3/4	3600	56C	TENV	CWDM3541	558	WD	11.07	35	80	230/460	1.1	C	1, 30, 60
	1800	56C	TENV	CWDM3542	625	WD	11.07	30	78.5	230/460	1.4	C	1, 30, 60
	1200	56C	TENV	CWDM3543	879	WD	12.94	43	78.5	208-230/460	1.3	C	1, 60
1	3600	56C	TEFC	CEWDM3545	916	WD	12.24	34	84	230/460	1.4	C	1, 60
		56C	TENV	CWDM3545	660	WD	11.07	33	82.5	230/460	1.3	C	1, 60
	1800	56C	TENV	CEWDM3546	920	WD	12.94	44	85.5	230/460	1.4	C	1
		56C	TENV	CWDM3546	670	WD	12.06	37	81.5	208-230/460	1.6	C	1, 60
		143TC	TENV	CEWDM3546T	939	WD	12.13	40	85.5	208-230/460	1.4	C	1, 60
		143TC	TENV	CWDM3546T	689	WD	12.13	39	81.5	208-230/460	1.6	C	1, 60
1200	56C	TEFC	CEWDM3556	1,033	WD	13.24	41	82.5	208-230/460	1.8	C	1, 60	
	56C	TEFC	CWDM3556	849	WD	13.24	35	75.5	208-230/460	1.7	C	1	

(a) See notes on inside back flap.

**Single and Three Phase, Totally Enclosed**

Hp	RPM	NEMA Frame	Encl.	Catalog Number	List Price	Mult. Sym.	"C" Dim.	Aprx. Wt. (lb)	Full Load Efficiency	Voltage	Full Load Amps	EISA Status (a)	Notes (a)
1 1/2	3600	56C	TENV	<b>CEWDM3550</b>	941	WD	12.07	44	85.5	208-230/460	2	C	1, 60
		56C	TENV	<b>CWDM3550</b>	689	WD	12.94	51	82.5	208-230/460	2.1	C	1, 60
	1800	56C	TEFC	<b>CWDM3554</b>	705	WD	12.24	34	78.5	208-230/460	2.5	C	1
		145TC	TENV	<b>CEWDM3554T</b>	983	WD	13.00	48	86.5	230/460	2	C	1, 30, 60
		145TC	TENV	<b>CWDM3554T</b>	725	WD	12.12	42	85.5	208-230/460	2.3	C	1, 60
1200	56C	TEFC	<b>CWDM3557</b>	899	WD	13.24	39	75.5	230/460	2.5	C	1	
2	3600	56HCY	TEFC	<b>CEWDM3555</b>	1,018	WD	14.12	51	85.5	208-230/460	2.5	C	1
		56HCY	TEFC	<b>CWDM3555</b>	780	WD	13.59	40	80	208-230/460	2.8	C	1
		145TC	TEFC	<b>CEWDM3555T</b>	1,038	WD	14.17	51	85.5	208-230/460	2.5	A	1
		145TC	TEFC	<b>CWDM3555T</b>	800	WD	13.30	44	84	208-230/460	2.6	D	1
	1800	56C	TEFC	<b>CWDM3558</b>	778	WD	13.24	42	82.5	208-230/460	3.1	C	1
		145TC	TEFC	<b>CEWDM3558T</b>	1,083	WD	14.16	47	86.5	208-230/460	2.7	A	1
	1200	145TC	TEFC	<b>CWDM3558T</b>	812	WD	13.30	41	84	208-230/460	3.1	D	1
		184TC	TEFC	<b>CEWDM3614T</b>	1,270	WD	18.05	79	88.5	208-230/460	3.3	A	
		184TC	TEFC	<b>CWDM3614T</b>	1,075	WD	16.54	75	86.5	208-230/460	3.5	D	1
3	3600	145TC	TEFC	<b>CEWDM3559T</b>	1,279	WD	15.55	59	86.5	230/460	3.6	A	1, 30
		145TC	TEFC	<b>CWDM3559T</b>	957	WD	14.17	55	85.5	208-230/460	3.7	D	1
		182TC	TEFC	<b>CEWDM3610T</b>	1,206	WD	15.18	67	86.5	230/460	3.7	A	1
	1800	182TC	TEFC	<b>CWDM3610T</b>	1,056	WD	15.18	57	85.5	208-230/460	3.7	D	1
		182TC	TEFC	<b>CEWDM3611T</b>	1,423	WD	16.54	75	89.5	208-230/460	4.1	A	1
		182TC	TEFC	<b>CWDM3611T</b>	1,066	WD	16.54	74	87.5	208-230/460	4.1	D	1
1200	213TC	TEFC	<b>CEWDM3704T</b>	1,674	WD	19.76	130	89.5	230/460	4.6	A	1	
	213TC	TEFC	<b>CWDM3704T</b>	1,354	WD	18.65	112	87.5	208-230/460	4.6	D	1	
5	3600	184TC	TEFC	<b>CEWDM3613T</b>	1,693	WD	16.54	84	88.5	208-230/460	5.6	A	1
		184TC	TEFC	<b>CWDM3613T</b>	1,335	WD	16.54	74	87.5	208-230/460	5.8	D	1
	1800	184TC	TEFC	<b>CEWDM3615T</b>	1,612	WD	18.04	96	89.5	230/460	6.5	A	1, 30
		184TC	TEFC	<b>CWDM3615T</b>	1,205	WD	16.54	82	87.5	208-230/460	7.1	D	1
	1200	215TC	TEFC	<b>CEWDM3708T</b>	1,983	WD	20.51	142	89.5	230/460	7.2	A	1, 30
		215TC	TEFC	<b>CWDM3708T</b>	1,737	WD	19.78	132	87.5	208-230/460	7.5	D	1
7 1/2	3600	184TC	TEFC	<b>CEWDM3616T</b>	2,012	WD	18.04	99	89.5	208-230/460	8.4	A	1
		184TC	TEFC	<b>CWDM3616T</b>	1,523	WD	18.04	89	88.5	208-230/460	8.7	D	1
		213TC	TEFC	<b>CEWDM3709T</b>	2,385	WD	19.78	139	89.5	208-230/460	8.6	A	1
	1800	213TC	TEFC	<b>CWDM3709T</b>	1,656	WD	18.54	101	88.5	208-230/460	8.7	D	1
		213TC	TEFC	<b>CEWDM3710T</b>	2,040	WD	19.78	129	91.7	230/460	9.4	A	1, 30
		213TC	TEFC	<b>CWDM3710T</b>	1,528	WD	18.65	131	89.5	208-230/460	10.1	D	1
1200	254TC	TEFC	<b>CEWDM22976T</b>	3,404	WD	23.57	247	91	230/460	10.7	A	1, 30	
	254TC	TEFC	<b>CWDM22976T</b>	2,781	WD	23.57	213	89.5	208-230/460	11.2	D	1	
10	3600	215TC	TEFC	<b>CEWDM3711T</b>	2,625	WD	19.78	151	90.2	230/460	11.2	A	1, 30
		215TC	TEFC	<b>CWDM3711T</b>	1,964	WD	18.65	128	89.5	208-230/460	11.5	D	1
	1800	215TC	TEFC	<b>CEWDM3714T</b>	2,319	WD	21.27	158	91.7	230/460	12.5	A	1
		215TC	TEFC	<b>CWDM3714T</b>	1,735	WD	19.78	134	89.5	208-230/460	13.5	D	1
	1200	256TC	TEFC	<b>CEWDM23932T</b>	3,870	WD	23.57	280	91	230/460	14.4	A	1, 30
		256TC	TEFC	<b>CWDM23932T</b>	3,129	WD	23.57	245	89.5	208-230/460	15.3	D	1
15	3600	215TC	TEFC	<b>CEWDM3713T</b>	3,298	WD	21.26	174	91	230/460	16.6	A	1
		215TC	TEFC	<b>CWDM3713T</b>	2,468	WD	21.26	169	90.2	208-230/460	17	D	1
		254TC	TEFC	<b>CEWDM23994T</b>	4,633	WD	21.94	158	91	230/460	16.6	A	1
	1800	254TC	TEFC	<b>CWDM23994T</b>	3,440	WD	21.94	195	90.2	208-230/460	17	D	1
		254TC	TEFC	<b>CEWDM23933T</b>	4,560	WD	23.57	226	92.4	230/460	18	A	1
		254TC	TEFC	<b>CWDM23933T</b>	3,386	WD	23.57	248	91	230/460	17.3	D	1, 30
20	3600	256TC	TEFC	<b>CEWDM41906T</b>	5,318	WD	23.57	242	91	230/460	22.5	A	1
		256TC	TEFC	<b>CWDM41906T</b>	3,950	WD	23.57	274	91	230/460	22.7	D	1, 30
	1800	256TC	TEFC	<b>CEWDM23934T</b>	5,289	WD	23.57	280	93	208-230/460	24	A	1
		256TC	TEFC	<b>CWDM23934T</b>	3,929	WD	23.57	282	91.7	230/460	23	D	1, 30

(a) See notes on inside back flap.

General Information

Premium Efficient Super-E® Motors

Single Phase Motors

General Purpose Industrial Motors

Severe Duty Motors

Washdown Duty Motors

Explosion Proof Motors

Pump Motors

Light Industrial/Commercial Motors

HVAC Motors

Single and Three Phase, Totally Enclosed

Hp	RPM	NEMA Frame	Encl.	Catalog Number	List Price	Mult. Sym.	"C" Dim.	Aprx. Wt. (lb)	Full Load Efficiency	Voltage	Full Load Amps	EISA Status (a)	Notes (a)
<b>Three Phase, C-Face, Footless</b>													
1/2	1800	56C	TEFC	<b>VFWD3538</b>	597	WD	12.24	32	75.5	230/460	0.8	C	1
		56C	TENV	<b>VWDM3538</b>	572	WD	11.06	30	75.5	230/460	0.8	C	1, 30, 60
3/4	1800	56C	TEFC	<b>VFWD3542</b>	646	WD	12.24	31	78.5	230/460	1.4	C	1
		56C	TENV	<b>VWDM3542</b>	621	WD	11.06	31	78.5	230/460	1.4	C	1, 30, 60
1	1800	56C	TENV	<b>VEWDM3546</b>	911	WD	12.94	45	85.5	230/460	1.4	C	1, 60
		56C	TENV	<b>VWDM3546</b>	665	WD	12.06	39	81.5	208-230/460	1.6	C	1, 60
		143TC	TEFC	<b>VEWDM3546T</b>	943	WD	13.30	39	85.5	230/460	1.5	B	1
		143TC	TENV	<b>VWDM3546T</b>	684	WD	12.12	38	81.5	208-230/460	1.6	C	1, 60
1 1/2	1800	56C	TENV	<b>VEWDM3554</b>	978	WD	12.94	48	86.5	230/460	2	C	1, 30, 60
		56C	TENV	<b>VWDM3554</b>	701	WD	12.07	42	85.5	208-230/460	2.3	C	1, 60
		145TC	TEFC	<b>VEWDM3554T</b>	1,012	WD	14.18	51	86.5	230/460	2.1	B	1
		145TC	TENV	<b>VWDM3554T</b>	986	WD	13.00	48	86.5	230/460	2	C	1, 30
2	1800	56C	TEFC	<b>VEWDM3558</b>	1,041	WD	14.18	49	86.5	208-230/460	2.7	C	1
		56C	TEFC	<b>VWDM3558</b>	744	WD	13.24	41	82.5	208-230/460	3.1	C	1
		145TC	TEFC	<b>VEWDM3558T</b>	1,061	WD	14.18	48	86.5	208-230/460	2.7	B	1
		145TC	TEFC	<b>VWDM3558T</b>	816	WD	13.30	42	84	208-230/460	3.1	B	1
3	3600	56C	TEFC	<b>VWDM3559</b>	955	WD	13.61	48	88.9	208-230/460	3.7	C	1
		145TC	TEFC	<b>VWDM3561T</b>	1,331	WD	15.55	60	87.5	208-230/460	4.2	B	1
		182TC	TEFC	<b>VEWDM3611T</b>	1,334	WD	16.54	69	89.5	208-230/460	4.1	B	1
5	1800	182TC	TEFC	<b>VWDM3611T</b>	1,073	WD	15.18	54	87.5	208-230/460	4.1	B	1
		184TC	TEFC	<b>VEWDM3615T</b>	1,512	WD	18.05	91	89.5	230/460	6.5	B	1, 30
		184TC	TEFC	<b>VWDM3615T</b>	1,340	WD	16.54	75	87.5	208-230/460	6.6	B	1
7 1/2	1800	213TC	TEFC	<b>VEWDM3710T</b>	2,022	WD	19.78	126	91.7	230/460	9.4	B	1, 30
		213TC	TEFC	<b>VWDM3710T</b>	1,531	WD	18.63	113	89.5	208-230/460	10.9	B	1
10	1800	215TC	TEFC	<b>VEWDM3714T</b>	2,173	WD	21.27	155	91.7	208-230/460	12	B	1
		215TC	TEFC	<b>VWDM3714T</b>	1,746	WD	19.78	124	89.5	208-230/460	13.5	B	1
<b>Three Phase, 575 Volt, C-Face, Foot Mounted</b>													
1/2	1800	56C	TENV	<b>CWDM3538-5</b>	576	WD	11.07	32	78.5	575	0.6	C	1, 60
3/4	1800	56C	TENV	<b>CWDM3542-5</b>	625	WD	11.06	34	80	575	0.9	C	1, 60
1	1800	56C	TENV	<b>CEWDM3546-5</b>	920	WD	12.94	46	85.5	575	1.1	C	1, 60
		56C	TENV	<b>CWDM3546-5</b>	670	WD	12.06	37	81	575	1.3	C	1, 60
1 1/2	1800	145TC	TENV	<b>CEWDM3554T-5</b>	983	WD	13.00	48	86.5	575	1.6	C	1, 60
		145TC	TENV	<b>CWDM3554T-5</b>	725	WD	13.00	49	82.5	575	1.7	C	1, 60
2	1800	145TC	TEFC	<b>CEWDM3558T-5</b>	1,083	WD	14.16	50	86.5	575	2.2	A	1
		145TC	TEFC	<b>CWDM3558T-5</b>	812	WD	13.28	43	84	575	2.2	D	1
3	1800	182TC	TEFC	<b>CEWDM3611T-5</b>	1,423	WD	16.54	75	89.5	575	3.1	A	1
		182TC	TEFC	<b>CWDM3611T-5</b>	1,066	WD	16.54	72	87.5	575	3.3	D	1
5	1800	184TC	TEFC	<b>CEWDM3615T-5</b>	1,612	WD	18.04	99	89.5	575	5.2	A	1
		184TC	TEFC	<b>CWDM3615T-5</b>	1,205	WD	16.54	81	87.5	575	5.7	D	1
7 1/2	1800	213TC	TEFC	<b>CEWDM3710T-5</b>	2,040	WD	19.78	195	91.7	575	8.2	A	1
10	1800	215TC	TEFC	<b>CEWDM3714T-5</b>	2,319	WD	21.27	162	91.7	575	9.6	A	1
15	1800	254TC	TEFC	<b>CEWDM23933T-5</b>	4,560	WD	23.57	247	92.4	575	14.5	A	1
20	1800	256TC	TEFC	<b>CEWDM23934T-5</b>	5,289	WD	23.57	280	93	575	19	A	1
<b>Three Phase, 575 Volt, C-Face, Footless</b>													
1/2	1800	56C	TENV	<b>VWDM3538-5</b>	572	WD	11.06	31	75.5	575	0.6	C	1, 60
3/4	1800	56C	TENV	<b>VWDM3542-5</b>	621	WD	11.06	34	80	575	0.9	C	1, 60
1	1800	56C	TENV	<b>VWDM3546-5</b>	665	WD	12.06	38	81	575	1.3	C	1, 60
1 1/2	1800	145TC	TENV	<b>VWDM3554T-5</b>	718	WD	13.00	48	82.5	575	1.7	C	1, 60
2	1800	145TC	TEFC	<b>VWDM3558T-5</b>	816	WD	13.30	46	84	575	2.2	B	1

(a) See notes on inside back flap.

General Information  
Premium Efficient Super-E® Motors  
Single Phase Motors  
General Purpose Industrial Motors  
Severe Duty Motors  
Washdown Duty Motors  
Explosion Proof Motors  
Pump Motors  
Light Industrial/Commercial Motors  
HVAC Motors



**Brake Motor,  
Three Phase,  
Totally Enclosed,  
C-Face,  
Foot Mounted**

1/2 thru 5 Hp

NEMA 56C thru 184TC

**Applications:** Food processing and other applications where motors receive washdown on a regular basis.

**Features:** Class F insulated motor with 1.15 service factor or higher that operates within class “B” temperature limits at rated horsepower. Standard NEMA BA dimension, 300 series stainless steel hardware, moisture sealant on bolt heads, between frame and end plates. Neoprene gaskets. Spring-set brake internally connected to the motor. Power off manual release. Resets automatically. Motors have NEMA Premium® Efficiency and are inverter-ready. 230/460V brakes are connected in conduit box allowing for separate connection when used with an inverter.



Hp	RPM	NEMA Frame	Encl.	Catalog Number	List Price	Mult. Sym.	“C” Dim.	Aprx. Wt. (lb)	Full Load Efficiency	Voltage	Full Load Amps	Brake Rating	EISA Status (a)	Notes (a)
1/2	1800	56C	TENV	CEWDBM3538	1,785	WD	15.31	42	82.5	230/460	0.8	3	C	
3/4	1800	56C	TENV	CEWDBM3542	1,929	WD	15.31	43	84	230/460	1.1	6	C	
1	1800	56C	TENV	CEWDBM3546	1,980	WD	16.31	52	85.5	208-230/460	1.4	6	C	
		143TC	TENV	CEWDBM3546T	2,000	WD	16.81	54	85.5	208-230/460	1.4	6	C	
1 1/2	1800	145TC	TENV	CEWDBM3554T	2,155	WD	18.14	58	86.5	230/460	2	10	C	30
2	1800	145TC	TEFC	CEWDBM3558T	2,193	WD	19.44	62	86.5	208-230/460	2.7	10	A	
3	1800	182TC	TEFC	CEWDBM3611T	2,653	WD	21.80	89	89.5	208-230/460	4.1	15	A	
5	1800	184TC	TEFC	CEWDBM3615T	3,205	WD	21.80	111	89.5	230/460	6.5	25	A	30

(a) See notes on inside back flap.

**Feather Picker Motor,  
Three Phase, TEFC,  
Design C**

2 thru 3 Hp

NEMA 145T and 145TC

**Applications:** Poultry processing plants. Designed for use on equipment used to remove feathers from poultry.

**Features:** Class F insulated motor with 1.15 service factor or higher that operates within class “B” temperature limits at rated horsepower. Moisture resistant insulation system. Top mounted F3 conduit box. Sealed ball bearings with moisture-resistant grease. C-Face motor windings are epoxy encapsulated for added moisture protection.



Hp	RPM	NEMA Frame	Catalog Number	List Price	Mult. Sym.	“C” Dim.	Aprx. Wt. (lb)	Full Load Efficiency	Voltage	Full Load Amps	EISA Status (a)	Notes (a)
<b>Foot Mounted</b>												
2	1800	145T	WDM3558TP-9	911	WD	13.30	39	84	208-230/460	3.1	B	
3	1800	145T	WDM3561TP-9	1,149	WD	15.04	63	87.5	208-230/460	4.1	B	1
<b>C-Face, Foot Mounted, Encapsulated</b>												
3	1800	145TC	CWDM3561TP-9	1,280	WD	15.53	63	87.5	208-230/460	4.1	C	

(a) See notes on inside back flap.

General Information

Premium Efficient Super-E® Motors

Single Phase Motors

General Purpose Industrial Motors

Severe Duty Motors

Washdown Duty Motors

Explosion Proof Motors

Pump Motors

Light Industrial/Commercial Motors

HVAC Motors

BALDOR • RELIANCE

**Close-Coupled Pump, 1 thru 15 Hp  
Three Phase,  
Totally Enclosed**

**NEMA 143JM thru 215JM**

**Applications:** Commercial and industrial water pumps, food processing and applications that expose the motor to high pressure washdown.

**Features:** Over-sized ball bearings with locked drive end construction for minimum shaft movement. Moisture sealant on bolt heads, between frame and endplates. Neoprene gaskets. V-Ring running contact v-ring slinger. Stainless steel shaft extension. Electrostatic epoxy coating.



Hp	RPM	NEMA Frame	Encl.	Catalog Number	List Price	Mult. Sym.	"C" Dim.	Aprx. Wt. (lb)	Full Load Efficiency	Voltage	Full Load Amps	EISA Status (a)	Notes (a)
1	1800	143JM	TENV	JMWDM3546T	841	WD	14.25	42	81.5	208-230/460	1.6	C	1
	3600	143JM	TEFC	JMWDM3550T	880	WD	15.43	37	82.5	230/460	2.3	B	1, 30
1 1/2	1800	145JM	TENV	JMWDM3554T	880	WD	14.25	45	85.5	208-230/460	2.3	C	2, 20
	3600	145JM	TEFC	JMWDM3555T	978	WD	15.43	44	84	208-230/460	2.7	B	1
2	1800	145JM	TEFC	JMWDM3558T	920	WD	15.43	44	84	208-230/460	3.1	B	1
	3600	145JM	TEFC	JMWDM3559T	1,101	WD	15.43	49	85.5	208-230/460	3.8	B	1
3	1800	182JM	TEFC	JMWDM3611T	1,101	WD	16.67	69	87.5	208-230/460	4.3	B	1
	3600	184JM	TEFC	JMWDM3613T	1,411	WD	18.05	80	87.5	208-230/460	6	B	1
5	1800	184JM	TEFC	JMWDM3615T	1,232	WD	18.05	85	87.5	208-230/460	6.6	B	1
	3600	184JM	TEFC	JMWDM3616T	1,599	WD	19.55	94	88.5	208-230/460	8.6	B	2, 20
7 1/2	1800	213JM	TEFC	JMWDM3710T	1,575	WD	19.78	123	89.5	208-230/460	10.9	B	1
	3600	215JM	TEFC	JMWDM3711T	2,149	WD	19.78	132	89.5	208-230/460	11.9	B	1
10	1800	215JM	TEFC	JMWDM3714T	1,990	WD	20.91	141	89.5	208-230/460	13.5	B	2, 20
	3600	215JM	TEFC	JMWDM3713T	2,560	WD	20.91	154	90.2	230/460	17	B	2, 8

(a) See notes on inside back flap.

**SSE Super-E  
Stainless Steel,  
Close-Coupled  
Pump, Three Phase,  
Totally Enclosed,  
Encapsulated**

**1 thru 10 Hp**

**NEMA 143JM thru 215JM**

**Applications:** Commercial and industrial water pumps, food processing and applications that expose the motor to high pressure washdown.

**Features:** Stainless steel motor frame, endplates, conduit box, shaft and base. Moisture resistant insulation system. Endplate rabbets have O-ring seals. Conduit box is welded to the motor frame. Patented bearing seal to protect motor bearings. Epoxy encapsulation, Class H insulation. Laser etched nameplate. NEMA Premium® efficiency. 3 year warranty.



Hp	RPM	NEMA Frame	Encl.	Catalog Number	List Price	Mult. Sym.	"C" Dim.	Aprx. Wt. (lb)	Full Load Efficiency	Voltage	Full Load Amps	EISA Status (a)	Notes (a)
1	1800	143JM	TENV	JMSSEWDM3546T	1,591	WD	14.81	40	87.5	208-230/460	1.5	C	
	3600	143JM	TENV	JMSSEWDM3550T	1,595	WD	15.69	51	85.5	208-230/460	1.8	C	
1 1/2	1800	145JM	TEFC	JMSSEWDM3554T	1,604	WD	16.95	53	88.5	208-230/460	2.2	C	
	3600	145JM	TEFC	JMSSEWDM3555T	1,885	WD	16.95	55	86.5	208-230/460	2.5	C	
2	1800	145JM	TEFC	JMSSEWDM3558T	1,911	WD	18.33	57	88.5	208-230/460	2.7	C	
	3600	145JM	TEFC	JMSSEWDM3559T	2,264	WD	18.33	59	86.5	208-230/460	3.7	C	
3	1800	182JM	TEFC	JMSSEWDM3611T	2,377	WD	18.23	99	89.5	208-230/460	4	C	
	3600	184JM	TEFC	JMSSEWDM3613T	2,560	WD	18.23	105	89.5	208-230/460	5.6	C	
5	1800	184JM	TEFC	JMSSEWDM3615T	2,578	WD	19.73	120	90.2	208-230/460	6.4	C	
	3600	213JM	TEFC	JMSSEWDM3709T	3,018	WD	21.56	129	91	208-230/460	8.3	C	
7 1/2	1800	213JM	TEFC	JMSSEWDM3710T	3,074	WD	22.75	135	91.7	208-230/460	9.5	C	
	3600	215JM	TEFC	JMSSEWDM3711T	3,384	WD	22.75	154	91.7	208-230/460	10.6	C	
10	1800	215JM	TEFC	JMSSEWDM3714T	3,570	WD	24.19	187	92.4	208-230/460	12.5	C	

(a) See notes on inside back flap.

General Information

Premium Efficient Super-E® Motors

Single Phase Motors

General Purpose Industrial Motors

Severe Duty Motors

Washdown Duty Motors

Explosion Proof Motors

Pump Motors

Light Industrial/Commercial Motors

HVAC Motors

Paint-Free,  
Three Phase,  
Totally Enclosed,  
C-Face

1/2 thru 10 Hp

NEMA 56C thru 215TC

Applications: Food processing, packaging and outdoor applications.



**Features:** Sealed ball bearings with moisture-resistant grease. Rotating non-contact labyrinth seal on output shaft extension and contact lip seals on fan shaft extension. Moisture resistant insulation system. Neoprene gaskets. Special processed cast endplates. 300 series stainless steel motor frame, base, shaft and hardware. No exterior paint. Super-E® motors have NEMA Premium® efficiency and 3 year warranty.

Hp	RPM	NEMA Frame	Encl.	Catalog Number	List Price	Mult. Sym.	"C" Dim.	Aprx. Wt. (lb)	Full Load Efficiency	Voltage	Full Load Amps	EISA Status (a)	Notes (a)
<b>Foot Mounted</b>													
1/2	3600	56C	TENV	CSWDM3537	644	WD	11.06	23	70	208-230/460	0.9	C	
	1800	56C	TENV	CSWDM3538	630	WD	11.06	30	75.5	230/460	0.8	C	1, 30, 60
	1200	56C	TENV	CSWDM3539	881	WD	12.06	39	78.5	230/460	1	C	1, 30, 60
3/4	3600	56C	TENV	CSWDM3541	676	WD	11.06	34	80	208-230/460	1.1	C	
	1800	56C	TENV	CSWDM3542	727	WD	11.06	31	78.5	230/460	1.4	C	1, 30, 60
	1200	56C	TENV	CSWDM3543	1,064	WD	12.06	42	78.5	230/460	1.5	C	1, 30, 60
1	3600	56C	TENV	CSWDM3545	799	WD	11.06	28	82.5	208-230/460	1.3	C	
	1800	56C	TENV	CSWDM3546	1,014	WD	12.06	40	85.5	208-230/460	1.4	C	1, 60
		56C	TENV	CSWDM3546	753	WD	12.06	39	81.5	208-230/460	1.6	C	1, 60
		143TC	TENV	CSWDM3546T	753	WD	12.12	41	81.5	208-230/460	1.6	C	1, 60
1200	56C	TEFC	CSWDM3556	1,028	WD	13.24	37	75.5	208-230/460	1.7	C	1	
1 1/2	3600	56C	TENV	CSWDM3550	835	WD	12.94	46	82.5	208-230/460	2.1	C	
	1800	56C	TENV	CSWDM3554	788	WD	14.32	52	86.5	208-230/460	2	C	1, 60
		145TC	TENV	CSWDM3554T	1,062	WD	13.00	47	86.5	230/460	2	C	1, 30, 60
		145TC	TENV	CSWDM3554T	788	WD	12.12	42	85.5	208-230/460	2.3	C	1, 60
1200	56C	TEFC	CSWDM3557	1,088	WD	13.24	41	75.5	230/460	2.5	C	1	
2	3600	145TC	TEFC	CSWDM3555T	1,258	WD	13.28	49	85.5	208-230/460	2.5	A	
	1800	56C	TEFC	CSWDM3558	970	WD	13.24	46	84	230/460	2.8	C	1, 30
		145TC	TEFC	CSWDM3558T	1,304	WD	14.18	55	86.5	230/460	2.7	A	1
		145TC	TEFC	CSWDM3558T	970	WD	13.28	48	84	230/460	2.8	D	1, 30
3600	145TC	TEFC	CSWDM3559T	1,548	WD	15.54	57	86.5	208-230/460	3.6	A		
3	1800	182TC	TEFC	CSWDM3611T	1,595	WD	16.56	80	89.5	208-230/460	4	A	1
		182TC	TEFC	CSWDM3611T	1,185	WD	16.56	72	87.5	208-230/460	4.1	D	1
		184TC	TEFC	CSWDM3613T	1,963	WD	18.06	83	88.5	208-230/460	5.7	A	
5	1800	184TC	TEFC	CSWDM3615T	1,856	WD	18.06	100	89.5	208-230/460	6.4	A	1
		184TC	TEFC	CSWDM3615T	1,380	WD	18.06	93	87.5	208-230/460	6.5	D	1
		213TC	TEFC	CSWDM3709T	2,478	WD	18.68	129	89.5	208-230/460	8.3	A	
7 1/2	1800	213TC	TEFC	CSWDM3710T	2,283	WD	19.81	146	91.7	230/460	9.5	A	1
		213TC	TEFC	CSWDM3710T	1,697	WD	19.81	138	90.2	208-230/460	9.4	D	1
		215TC	TEFC	CSWDM3711T	2,747	WD	19.81	154	90.2	208-230/460	10.6	A	
10	1800	215TC	TEFC	CSWDM3714T	2,598	WD	21.31	168	91.7	230/460	12	A	1
		215TC	TEFC	CSWDM3714T	1,932	WD	21.31	160	89.5	208-230/460	12.4	D	1
		215TC	TEFC	CSWDM3714T	1,932	WD	21.31	160	89.5	208-230/460	12.4	D	1
<b>Footless</b>													
1/2	1800	56C	TENV	VSWDM3538	623	WD	11.06	29	75.5	230/460	0.8	C	1, 30, 60
3/4	1800	56C	TENV	VSWDM3542	721	WD	11.06	33	78.5	230/460	1.4	C	1, 30, 60
1	1800	56C	TENV	VSWDM3546	965	WD	12.06	39	85.5	208-230/460	1.4	C	1, 60
		56C	TENV	VSWDM3546	748	WD	12.06	38	81.5	208-230/460	1.6	C	1, 60
		143TC	TENV	VSWDM3546T	748	WD	12.12	37	81.5	208-230/460	1.6	C	1, 60
		56C	TENV	VSWDM3554	1,051	WD	12.95	47	86.5	230/460	2	C	1, 30, 60
1 1/2	1800	56C	TENV	VSWDM3554	784	WD	12.06	47	85.5	208-230/460	2.3	C	1, 60
		145TC	TENV	VSWDM3554T	1,051	WD	13.00	47	86.5	230/460	2	C	1, 30, 60
		145TC	TENV	VSWDM3554T	784	WD	12.12	45	85.5	208-230/460	2.3	C	1, 60
		145TC	TEFC	VSWDM3558T	1,200	WD	14.19	50	86.5	208-230/460	2.7	B	1
2	1800	145TC	TEFC	VSWDM3558T	963	WD	13.31	41	84	208-230/460	3.1	B	1

(a) See notes on inside back flap.

General Information

Premium Efficient Super-E® Motors

Single Phase Motors

General Purpose Industrial Motors

Severe Duty Motors

Washdown Duty Motors

Explosion Proof Motors

Pump Motors

Light Industrial/Commercial Motors

HVAC Motors

**Standard-E & Super-E** 1/2 thru 20 Hp  
**Stainless Steel,**  
**Three Phase,**  
**Totally Enclosed,**  
**C-Face**

**NEMA 56C thru 256TC**

**Applications:** Food processing, packaging, outdoor and highly corrosive environments.

**Features:** All external surfaces 300 series stainless steel: motor frame, endplates, conduit box, shaft and base. Moisture resistant insulation system. Four condensate drains in each endplate. Endplate rabbets sealed and conduit box gasketed. Labyrinth seals each end. Especially effective in highly corrosive environments where paint or other finishes do not hold up. Super-E® motors have NEMA Premium® efficiency and 3 year warranty.



Hp	RPM	NEMA Frame	Encl.	Catalog Number	List Price	Mult. Sym.	"C" Dim.	Aprx. Wt. (lb)	Full Load Efficiency	Voltage	Full Load Amps	EISA Status <sup>(a)</sup>	Notes <sup>(a)</sup>
<b>Foot Mounted</b>													
1/2	3600	56C	TENV	CSSWDM3537	1,097	WD	11.09	34	70	208-230/460	0.9	C	1, 60
	1800	56C	TENV	CSSWDM3538	1,178	WD	11.09	37	80	208-230/460	0.9	C	1, 60
3/4	3600	56C	TENV	CSSWDM3541	1,134	WD	11.09	40	80	230/460	1.1	C	1, 30, 60
	1800	56C	TENV	CSSWDM3542	1,219	WD	11.09	44	82.5	208-230/460	1.1	C	1, 60
1	3600	56C	TENV	CSSWDM3545	1,244	WD	11.09	39	82.5	230/460	1.3	C	1, 60
	1800	56C	TENV	CSSWDM3546	1,252	WD	11.09	45	85.5	208-230/460	1.4	C	1, 60
		143TC	TENV	CESSWDM3546T	1,257	WD	11.09	42	87.5	208-230/460	1.5	C	
1 1/2	3600	56C	TENV	CESSWDM3550	1,251	WD	12.97	60	85.5	208-230/460	2	C	1
		143TC	TENV	CESSWDM3550T	1,261	WD	13.23	50	85.5	208-230/460	1.8	C	
	1800	56C	TEFC	CSSWDM3554	1,280	WD	13.34	47	84	208-230/460	2.4	C	1
		145TC	TEFC	CESSWDM3554T	1,281	WD	13.42	45	87.5	208-230/460	2.1	A	
2	3600	145TC	TEFC	CSSWDM3554T	1,280	WD	13.42	50	84	208-230/460	2.4	D	1
		145TC	TEFC	CESSWDM3555T	1,529	WD	14.30	55	86.5	230/460	2.5	A	
		145TC	TEFC	CSSWDM3555T	1,540	WD	14.30	59	84	208-230/460	2.6	D	1
	1800	56C	TEFC	CSSWDM3558	1,556	WD	13.34	55	84	230/460	2.8	C	1
		145TC	TEFC	CESSWDM3558T	1,539	WD	15.67	62	88.5	208-230/460	2.8	A	
		145TC	TEFC	CSSWDM3558T	1,556	WD	13.42	56	86.5	208-230/460	2.9	D	1
3	3600	145TC	TEFC	CESSWDM3559T	1,842	WD	15.67	44	86.5	208-230/460	3.7	A	
		145TC	TEFC	CSSWDM3559T	1,852	WD	14.30	61	85.5	230/460	3.7	D	1
		182TC	TEFC	CESSWDM3610T	1,967	WD	16.82	82	88.5	208-230/460	3.7	A	
		182TC	TEFC	CSSWDM3610T	1,925	WD	16.82	89	85.5	208-230/460	3.4	D	1
	1800	182TC	TEFC	CESSWDM3611T	1,799	WD	16.82	94	89.5	230/460	4	A	1
		182TC	TEFC	CSSWDM3611T	1,778	WD	16.82	89	87.5	208-230/460	4.5	D	1
5	3600	184TC	TEFC	CESSWDM3613T	2,093	WD	18.32	107	90.2	230/460	5.7	A	1
		184TC	TEFC	CSSWDM3613T	2,026	WD	16.82	95	87.5	208-230/460	5.7	D	1
	1800	184TC	TEFC	CESSWDM3615T	2,025	WD	18.32	115	90.2	230/460	6.4	A	1, 30
		184TC	TEFC	CSSWDM3615T	2,042	WD	18.32	109	87.5	208-230/460	6.5	D	1
7 1/2	3600	213TC	TEFC	CESSWDM3709T	2,456	WD	19.03	164	91	230/460	8.3	A	1
		213TC	TEFC	CSSWDM3709T	2,360	WD	19.03	146	88.5	208-230/460	8.9	D	1
	1800	213TC	TEFC	CESSWDM3710T	2,533	WD	20.16	157	91.7	230/460	9.5	A	1
		213TC	TEFC	CSSWDM3710T	2,410	WD	20.16	152	89.5	208-230/460	9.7	D	1
10	3600	215TC	TEFC	CESSWDM3711T	2,741	WD	20.16	185	91.7	208-230/460	10.6	A	1
		215TC	TEFC	CSSWDM3711T	2,679	WD	20.16	174	89.5	208-230/460	11.9	D	1
	1800	215TC	TEFC	CESSWDM3714T	2,794	WD	21.66	190	92.4	230/460	12.5	A	1
		215TC	TEFC	CSSWDM3714T	2,722	WD	21.66	187	89.5	208-230/460	12.4	D	1, 20
15	3600	254TC	TEFC	CESSWDM23994T	5,595	WD	24.67	240	91	208-230/460	16.5	A	1
	1800	254TC	TEFC	CESSWDM23933T	5,506	WD	24.67	246	92.4	230/460	17.5	A	1, 30
20	3600	256TC	TEFC	CESSWDM41906T	6,422	WD	24.67	292	91	230/460	21.5	A	1
	1800	256TC	TEFC	CESSWDM23934T	6,386	WD	24.67	300	93	230/460	23.4	A	1, 30

<sup>(a)</sup> See notes on inside back flap.

General Information  
 Premium Efficient Super-E® Motors  
 Single Phase Motors  
 General Purpose Industrial Motors  
 Severe Duty Motors  
 Washdown Duty Motors  
 Explosion Proof Motors  
 Pump Motors  
 Light Industrial/Commercial Motors  
 HVAC Motors

Standard-E & Super-E Stainless Steel, Three Phase, Totally Enclosed, C-Face

Hp	RPM	NEMA Frame	Encl.	Catalog Number	List Price	Mult. Sym.	"C" Dim.	Aprx. Wt. (lb)	Full Load Efficiency	Voltage	Full Load Amps	EISA Status <sup>(a)</sup>	Notes <sup>(a)</sup>
<b>Footless</b>													
1/2	3600	56C	TENV	VSSWDM3537	1,071	WD	11.09	34	70	208-230/460	0.9	C	1, 60
	1800	56C	TEFC	VSSFWDM3538	1,219	WD	12.34	35	75.5	230/460	0.8	C	1
		56C	TENV	VSSWDM3538	1,153	WD	11.09	37	75.5	230/460	0.8	C	1, 30, 60
3/4	3600	56C	TENV	VSSWDM3541	1,112	WD	11.09	43	80	230/460	1.1	C	1, 30, 60
	1800	56C	TEFC	VSSFWDM3542	1,259	WD	13.34	49	78.5	208-230/460	1	C	1
		56C	TENV	VSSWDM3542	1,195	WD	12.09	44	78.5	208-230/460	1	C	1, 60
1	3600	56C	TENV	VSSWDM3545	1,219	WD	11.09	38	82.5	230/460	1.3	C	1, 60
	1800	56C	TEFC	VSSFWDM3546	1,292	WD	13.34	50	85.5	208-230/460	1.4	C	1
		56C	TENV	VSSWDM3546	1,228	WD	11.09	47	85.5	208-230/460	1.4	C	1, 60
1 1/2	3600	56C	TENV	VSSWDM3550	1,235	WD	12.09	49	85.5	230/460	2	C	1, 60
	1800	145TC	TEFC	VSSWDM3554T	1,355	WD	13.42	46	84	208-230/460	2.4	B	1
2	3600	145TC	TEFC	VSSWDM3555T	1,636	WD	14.30	57	84	208-230/460	2.6	B	1
	1800	145TC	TEFC	VSSWDM3558T	1,654	WD	13.42	52	84	230/460	2.8	B	1
3	3600	145TC	TEFC	VSSWDM3559T	1,973	WD	14.30	57	85.5	230/460	3.7	B	1
	1800	182TC	TEFC	VSSWDM3611T	1,876	WD	16.82	86	87.5	208-230/460	4.5	B	1
5	3600	184TC	TEFC	VSSWDM3613T	2,145	WD	16.82	92	87.5	208-230/460	5.7	B	1
	1800	184TC	TEFC	VSSWDM3615T	2,161	WD	18.32	108	87.5	208-230/460	6.5	B	1
<b>575 Volt, Foot Mounted</b>													
1/2	1800	56C	TENV	CSSWDM3538-5	1,178	WD	11.09	37	80	575	0.6	C	
3/4	1800	56C	TENV	CSSWDM3542-5	1,219	WD	11.09	44	82.5	575	0.9	C	
1	1800	56C	TENV	CSSWDM3546-5	1,252	WD	11.09	45	85.5	575	1.1	C	
		143TC	TENV	CESSWDM3546T-5	1,257	WD	11.09	42	87.5	575	1.1	C	
1 1/2	1800	145TC	TEFC	CESSWDM3554T-5	1,281	WD	13.42	45	87.5	575	1.6	A	
2	1800	145TC	TEFC	CESSWDM3558T-5	1,539	WD	15.67	62	88.5	575	2.2	A	

<sup>(a)</sup> See notes on inside back flap.

General Information

Premium Efficient Super-E® Motors

Single Phase Motors

General Purpose Industrial Motors

Severe Duty Motors

Washdown Duty Motors

Explosion Proof Motors

Pump Motors

Light Industrial/Commercial Motors

HVAC Motors



BALDOR • RELIANCE

**Standard-E,  
Stainless Steel,  
Three Phase,  
Totally Enclosed,  
C-Face,  
Encapsulated**

1/2 thru 10 Hp



NEMA 56C thru 215TC

**Applications:** Food Processing, packaging, outdoor and highly corrosive environments.

**Features:** Class F insulated motor with 1.15 service factor or higher that operates within class "B" temperature limits at rated horsepower. All external surfaces 300 series stainless steel: motor frame, endplates, conduit box, shaft and base. Moisture resistant insulation system. Endplate rabbets have O-ring seals to band. Conduit box is welded to the motor frame. Patented bearing seal to protect motor bearings, inside and out. Epoxy encapsulation prevents any moisture from reaching the windings as well as potting the passage between the band and the conduit box. Nameplate information is laser etched on the band. Catalog numbers also etched on both sides. Especially effective in highly corrosive environments where paint or other finishes do not hold up.



General Information

Premium Efficient Super-E® Motors

Single Phase Motors

General Purpose Industrial Motors

Severe Duty Motors

Washdown Duty Motors

Explosion Proof Motors

Pump Motors

Light Industrial/Commercial Motors

HVAC Motors

Hp	RPM	NEMA Frame	Encl.	Catalog Number	List Price	Mult. Sym.	"C" Dim.	Aprx. Wt. (lb)	Full Load Efficiency	Voltage	Full Load Amps	EISA Status (a)	Notes (a)
<b>Foot Mounted</b>													
1/2	3600	56C	TENV	CSSSWDM3537	1,148	WD	11.71	48	70	208-230/460	0.9	C	
	1800	56C	TENV	CSSSWDM3538	1,203	WD	11.71	45	80	208-230/460	0.9	C	
3/4	3600	56C	TENV	CSSSWDM3541	1,189	WD	11.71	49	80	230/460	1.1	C	30
	1800	56C	TENV	CSSSWDM3542	1,245	WD	12.71	53	82.5	208-230/460	1.1	C	
	1200	56C	TENV	CSSSWDM3543	1,448	WD	12.71	58	80	208-230/460	1.4	C	
1	3600	56C	TENV	CSSSWDM3545	1,251	WD	12.71	56	82.5	230/460	1.3	C	30
	1800	56C	TENV	CSSSWDM3546	1,248	WD	12.71	52	85.5	208-230/460	1.4	C	
		143TC	TENV	CSSSWDM3546T	1,260	WD	12.77	54	85.5	208-230/460	1.4	C	
	1200	56C	TEFC	CSSSWDM3556	1,498	WD	13.88	65	80	208-230/460	2	C	
1 1/2	3600	56C	TENV	CSSSWDM3550	1,254	WD	13.59	64	85.5	230/460	2	C	30
		143TC	TENV	CSSSWDM3550T	1,265	WD	13.65	65	85.5	230/460	2	C	30
	1800	56C	TEFC	CSSSWDM3554	1,271	WD	14.75	63	84	208-230/460	2.4	C	
		145TC	TEFC	CSSSWDM3554T	1,284	WD	14.81	66	84	208-230/460	2.4	C	
2	3600	56C	TEFC	CSSSWDM3555	1,523	WD	14.75	62	84	208-230/460	2.6	C	
		145TC	TEFC	CSSSWDM3555T	1,534	WD	14.81	68	84	208-230/460	2.6	C	
	1800	56C	TEFC	CSSSWDM3558	1,530	WD	16.13	70	84	208-230/460	2.8	C	
		145TC	TEFC	CSSSWDM3558T	1,543	WD	16.19	71	84	208-230/460	2.8	C	
3	3600	145TC	TEFC	CSSSWDM3559T	1,845	WD	16.19	79	85.5	230/460	3.7	C	30
	1800	182TC	TEFC	CSSSWDM3611T	1,878	WD	17.75	98	87.5	208-230/460	4.5	C	
5	3600	184TC	TEFC	CSSSWDM3613T	2,096	WD	17.75	104	87.5	208-230/460	5.7	C	
	1800	184TC	TEFC	CSSSWDM3615T	2,055	WD	19.25	120	87.5	208-230/460	6.5	C	
7 1/2	3600	213TC	TEFC	CSSSWDM3709T	2,564	WD	20.43	175	88.5	208-230/460	8.9	C	
	1800	213TC	TEFC	CSSSWDM3710T	2,619	WD	21.62	179	89.5	208-230/460	9.7	C	
10	3600	215TC	TEFC	CSSSWDM3711T	2,911	WD	21.62	151	89.5	208-230/460	11.9	C	
	1800	215TC	TEFC	CSSSWDM3714T	3,089	WD	23.06	184	89.5	208-230/460	12.4	C	
<b>Footless</b>													
1/2	3600	56C	TENV	VSSSWDM3537	1,140	WD	11.71	47	70	208-230/460	0.9	C	
	1800	56C	TENV	VSSSWDM3538	1,180	WD	11.71	49	80	208-230/460	0.9	C	
3/4	3600	56C	TENV	VSSSWDM3541	1,166	WD	11.71	48	80	230/460	1.1	C	30
	1800	56C	TENV	VSSSWDM3542	1,222	WD	12.71	52	82.5	208-230/460	1.1	C	
	1200	56C	TENV	VSSSWDM3543	1,425	WD	12.71	56	80	208-230/460	1.4	C	
1	3600	56C	TENV	VSSSWDM3545	1,227	WD	12.71	51	82.5	230/460	1.3	C	30
	1800	56C	TENV	VSSSWDM3546	1,225	WD	13.88	55	85.5	208-230/460	1.4	C	
		143TC	TENV	VSSSWDM3546T	1,237	WD	12.77	55	85.5	208-230/460	1.4	C	
	1200	56C	TEFC	VSSSWDM3556	1,475	WD	13.88	64	80	208-230/460	2	C	
1 1/2	3600	56C	TENV	VSSSWDM3550	1,230	WD	13.59	63	85.5	230/460	2	C	30
		143TC	TENV	VSSSWDM3550T	1,242	WD	13.65	61	85.5	230/460	2	C	30
	1800	56C	TEFC	VSSSWDM3554	1,248	WD	14.75	63	84	208-230/460	2.4	C	
		145TC	TEFC	VSSSWDM3554T	1,260	WD	14.81	59	84	208-230/460	2.4	C	
2	3600	145TC	TEFC	VSSSWDM3555T	1,512	WD	14.81	63	84	208-230/460	2.6	C	
		56C	TEFC	VSSSWDM3558	1,507	WD	16.13	68	84	208-230/460	2.8	C	
	1800	145TC	TEFC	VSSSWDM3558T	1,520	WD	16.19	68	84	208-230/460	2.8	C	

(a) See notes on inside back flap.

**SSE Super-E  
Stainless Steel,  
Three Phase,  
Totally Enclosed,  
C-Face,  
Encapsulated**

1/2 thru 10 Hp

NEMA 56C thru 215TC

**Applications:** Food processing, packaging, outdoor and highly corrosive environments.

**Features:** Class H insulated motor with 1.15 service factor or higher. All external surfaces 300 series stainless steel: motor frame, endplates, conduit box, shaft and base. Moisture resistant insulation system. Endplate rabbets have O-ring seals to band. Conduit box is welded to the motor frame. Patented bearing seal to protect motor bearings, inside and out. Epoxy encapsulation prevents any moisture from reaching the windings as well as potting the passage between the band and the conduit box. Nameplate information is laser etched on the band. Catalog numbers also etched on both sides. Especially effective in highly corrosive environments where paint or other finishes do not hold up. NEMA Premium® efficiency and 3-year warranty.



Hp	RPM	NEMA Frame	Encl.	Catalog Number	List Price	Mult. Sym.	"C" Dim.	Aprx. Wt. (lb)	Full Load Efficiency	Voltage	Full Load Amps	EISA Status (a)	Notes (a)
<b>Foot Mounted, F1 Mounting</b>													
1/2	3600	56C	TENV	<a href="#">CSSEWDM3537</a>	1,209	WD	11.71	50	84	208-230/460	0.7	C	60, 77
	1800	56C	TENV	<a href="#">CSSEWDM3538</a>	1,228	WD	11.71	47	84	230/460	0.9	C	60, 77
3/4	3600	56C	TENV	<a href="#">CSSEWDM3541</a>	1,251	WD	11.71	51	86.5	208-230/460	1	C	60, 77
	1800	56C	TENV	<a href="#">CSSEWDM3542</a>	1,270	WD	12.71	55	84	208-230/460	1	C	60, 77
	1200	56C	TENV	<a href="#">CSSEWDM3543</a>	1,524	WD	13.59	60	82.5	208-230/460	1.3	C	60, 77
1	3600	56C	TENV	<a href="#">CSSEWDM3545</a>	1,315	WD	12.71	58	82.5	208-230/460	1.4	C	60, 77
	1800	56C	TENV	<a href="#">CSSEWDM3546</a>	1,328	WD	12.71	54	87.5	208-230/460	1.5	C	60, 77
		143TC	TENV	<a href="#">CSSEWDM3546T</a>	1,340	WD	12.77	56	87.5	208-230/460	1.5	C	60, 77
1 1/2	3600	56C	TENV	<a href="#">CSSEWDM3550</a>	1,333	WD	13.59	66	85.5	208-230/460	1.8	C	60, 77
		143TC	TENV	<a href="#">CSSEWDM3550T</a>	1,344	WD	13.65	67	85.5	208-230/460	1.8	C	60, 77
	1800	56C	TEFC	<a href="#">CSSEWDM3554</a>	1,339	WD	14.75	65	88.5	230/460	2.2	C	77
		145TC	TEFC	<a href="#">CSSEWDM3554T</a>	1,352	WD	14.81	68	88.5	230/460	2.2	C	77
		56C	TEFC	<a href="#">CSSEWDM3555</a>	1,602	WD	14.75	65	86.5	208-230/460	2.5	C	77
2	3600	145TC	TEFC	<a href="#">CSSEWDM3555T</a>	1,613	WD	14.81	71	86.5	208-230/460	2.5	C	77
		56C	TEFC	<a href="#">CSSEWDM3558</a>	1,626	WD	16.13	73	88.5	208-230/460	2.7	C	77
	1800	145TC	TEFC	<a href="#">CSSEWDM3558T</a>	1,637	WD	16.19	74	88.5	208-230/460	2.7	C	77
3	3600	145TC	TEFC	<a href="#">CSSEWDM3559T</a>	1,963	WD	16.19	82	86.5	208-230/460	3.7	C	77
	1800	182TC	TEFC	<a href="#">CSSEWDM3611T</a>	1,977	WD	17.75	101	89.5	208-230/460	4	C	77
5	3600	184TC	TEFC	<a href="#">CSSEWDM3613T</a>	2,146	WD	17.75	107	89.5	208-230/460	5.6	C	77
	1800	184TC	TEFC	<a href="#">CSSEWDM3615T</a>	2,163	WD	19.25	123	90.2	208-230/460	6.4	C	77
7 1/2	3600	213TC	TEFC	<a href="#">CSSEWDM3709T</a>	2,701	WD	20.43	178	91	208-230/460	8.3	C	77
	1800	213TC	TEFC	<a href="#">CSSEWDM3710T</a>	2,758	WD	21.62	182	91.7	230/460	9.5	C	30, 77
10	3600	215TC	TEFC	<a href="#">CSSEWDM3711T</a>	3,068	WD	21.62	154	91.7	208-230/460	10.6	C	77
	1800	215TC	TEFC	<a href="#">CSSEWDM3714T</a>	3,253	WD	23.06	187	92.4	208-230/460	12.5	C	77
<b>Foot Mounted, F2 Mounting</b>													
1	1800	143TC	TENV	<a href="#">CSSEWDFM3546T</a>	1,340	WD	12.77	56	87.5	208-230/460	1.4	C	60, 77
1 1/2	1800	145TC	TEFC	<a href="#">CSSEWDFM3554T</a>	1,352	WD	14.81	62	88.5	208-230/460	2.1	C	77
2	1800	145TC	TEFC	<a href="#">CSSEWDFM3558T</a>	1,637	WD	14.83	61	88.5	208-230/460	2.8	C	77
3	1800	182TC	TEFC	<a href="#">CSSEWDFM3611T</a>	1,977	WD	17.75	101	89.5	208-230/460	4	C	77
5	1800	184TC	TEFC	<a href="#">CSSEWDFM3615T</a>	2,163	WD	19.25	123	90.2	208-230/460	6.4	C	77

(a) See notes on inside back flap.

General Information

Premium Efficient Super-E® Motors

Single Phase Motors

General Purpose Industrial Motors

Severe Duty Motors

Washdown Duty Motors

Explosion Proof Motors

Pump Motors

Light Industrial/Commercial Motors

HVAC Motors

SSE Super-E Stainless Steel, Three Phase, Totally Enclosed, C-Face, Encapsulated

Hp	RPM	NEMA Frame	Encl.	Catalog Number	List Price	Mult. Sym.	"C" Dim.	Aprx. Wt. (lb)	Full Load Efficiency	Voltage	Full Load Amps	EISA Status (a)	Notes (a)
<b>Footless</b>													
1/2	3600	56C	TENV	VSSEWDM3537	1,185	WD	11.71	49	84	208-230/460	0.7	C	60, 77
	1800	56C	TENV	VSSEWDM3538	1,205	WD	11.71	51	81.5	208-230/460	0.8	C	60, 77
3/4	3600	56C	TENV	VSSEWDM3541	1,228	WD	11.71	50	86.5	208-230/460	1	C	60, 77
	1800	56C	TENV	VSSEWDM3542	1,247	WD	12.71	54	84	208-230/460	1	C	60, 77
	1200	56C	TENV	VSSEWDM3543	1,501	WD	13.59	58	82.5	208-230/460	1.3	C	60, 77
1	3600	56C	TENV	VSSEWDM3545	1,291	WD	12.71	53	82.5	208-230/460	1.4	C	60, 77
	1800	56C	TENV	VSSEWDM3546	1,305	WD	12.71	57	87.5	208-230/460	1.5	C	60, 77
		143TC	TENV	VSSEWDM3546T	1,317	WD	12.77	57	87.5	208-230/460	1.5	C	60, 77
	1200	56C	TEFC	VSSEWDM3556	1,554	WD	16.13	66	84	208-230/460	1.7	C	77
1 1/2	3600	56C	TENV	VSSEWDM3550	1,309	WD	13.59	65	85.5	208-230/460	1.8	C	60, 77
		143TC	TENV	VSSEWDM3550T	1,321	WD	13.65	63	85.5	208-230/460	1.8	C	60, 77
	1800	56C	TEFC	VSSEWDM3554	1,316	WD	14.75	65	88.5	230/460	2.2	C	77
		145TC	TEFC	VSSEWDM3554T	1,328	WD	14.81	61	88.5	230/460	2.2	C	77
2	3600	145TC	TEFC	VSSEWDM3555T	1,591	WD	14.81	65	86.5	208-230/460	2.5	C	77
	1800	56C	TEFC	VSSEWDM3558	1,603	WD	16.13	70	88.5	208-230/460	2.7	C	77
		145TC	TEFC	VSSEWDM3558T	1,614	WD	16.19	70	88.5	208-230/460	2.7	C	77

(a) See notes on inside back flap.

SSE Stainless, Three Phase, Totally Enclosed, B14 Face, B5 Flange, 50 Hz, Encapsulated

0.37 thru 1.5 kW

IEC D80D thru D90C

**Applications:** Food processing, packaging, outdoor and highly corrosive environments.

**Features:** Class H insulated motor with 1.15 service factor or higher. All external surfaces 300 series stainless steel: motor frame, endplates, conduit box, shaft and base. Moisture resistant insulation system. Endplate rabbets have O-ring seals to band. Conduit box is welded to the motor frame. Patented bearing seal to protect motor bearings, inside and out. Epoxy encapsulation prevents any moisture from reaching the windings as well as potting the passage between the band and the conduit box. Nameplate information is laser etched on the band. Catalog numbers also etched on both sides. Especially effective in highly corrosive environments where paint or other finishes do not hold up. NEMA Premium® efficiency and 3-year warranty.



kW/HP	RPM	IEC Frame	Encl.	Catalog Number	List Price	Mult. Sym.	"C" Dim.	Aprx. Wt. (lb)	Full Load Efficiency	Voltage	Full Load Amps	EISA Status (a)	Notes (a)
<b>B14, C-Face, Foot Mounted</b>													
1.1/1.5	1500	D90C	TEFC	CSSEWDM90114C-57	1,555	WD	14.36	24	88.5	240/380-415	2.5	C	50, 51
1.5/2	1500	D90C	TEFC	CSSEWDM90154C-57	1,883	WD	15.74	25	88.5	240/380-415	3.2	C	50, 51
<b>B5, Flange, Footless</b>													
.37/.5	1500	D80D	TENV	VSSEWDM80044D-57	1,386	WD	12.37	46	80	240/380-415	0.8	C	50, 51, 60
.55/.75	1500	D80D	TENV	VSSEWDM80064D-57	1,435	WD	13.37	60	81.5	240/380-415	1.2	C	50, 51, 60
.75/1	1500	D80D	TENV	VSSEWDM80084D-57	1,515	WD	13.37	60	75.5	240/380-415	1.9	C	50, 51, 60
1.1/1.5	1500	D90C	TEFC	VSSEWDM90114C-57	1,531	WD	14.36	24	88.5	240/380-415	2.5	C	50, 51
		D90D	TEFC	VSSEWDM90114D-57	1,528	WD	15.82	69	85.9	240/380-415	2.3	C	50, 51
1.5/2	1500	D90C	TEFC	VSSEWDM90154C-57	1,860	WD	15.74	25	88.5	240/380-415	2.7	C	50, 51
		D90D	TEFC	VSSEWDM90154D-57	1,856	WD	17.20	73	87	240/380-415	3.1	C	50, 51

(a) See notes on inside back flap.

**Inverter Motor,  
Paint Free,  
Three Phase,  
Totally Enclosed,  
C-Face**

**1/2 thru 10 Hp**

**NEMA 56C thru 215TC**

**Applications:** Conveyors, pumps and other equipment in food processing and severe environments where motors receive washdown on a regular basis.

**Features:** Includes all the advantages of our standard “Paint Free” washdown duty motors. Specifically designed and built for use on adjustable speed drives. For adjustable speed applications not requiring full torque at zero speed. Not encoder adaptable. 1.00 Service Factor. Class “H” insulated.



Hp	RPM	Max. RPM	NEMA Frame	Encl.	Catalog Number	List Price	Mult. Sym.	“C” Dim.	Aprx. Wt. (lb)	Full Load Efficiency	Voltage	Full Load Amps	EISA Status (a)	Notes (a)
<b>C-Face, Foot Mounted</b>														
1/2	1800	6000	56C	TENV	IDCSWDM3538	1,367	E2	11.06	29	82.5	208-230/460	0.8	C	48
3/4	1800	6000	56C	TENV	IDCSWDM3542	1,548	E2	11.06	36	82.5	208-230/460	1.1	C	48
1	1800	3600	56C	TENV	IDCSWDM3546	1,607	E2	12.06	39	85.5	208-230/460	1.4	C	48
			143TC	TENV	IDCSWDM3546T	1,607	E2	12.12	42	85.5	208-230/460	1.4	C	48
1 1/2	1800	4000	56C	TEFC	IDCSWDM3554	1,719	E2	14.12	45	88.5	230/460	2.1	C	48
			145TC	TEFC	IDCSWDM3554T	1,719	E2	14.17	44	88.5	230/460	2.1	A	48
2	1800	3600	56C	TEFC	IDCSWDM3558	1,836	E2	14.12	47	86.5	230/460	2.5	C	48
		4500	145TC	TEFC	IDCSWDM3558T	1,836	E2	13.29	52	86.5	230/460	2.9	A	48
3	1800	6000	182TC	TEFC	IDCSWDM3611T	2,014	E2	16.56	74	89.5	230/460	4	A	48
5	1800	6000	184TC	TEFC	IDCSWDM3615T	2,343	E2	18.06	93	90.2	230/460	6.4	A	48
7 1/2	1800	6000	213TC	TEFC	IDCSWDM3710T	3,548	E2	19.81	140	91.7	230/460	9.5	A	48
10	1800	6000	215TC	TEFC	IDCSWDM3714T	4,057	E2	21.31	187	92.4	230/460	12.5	A	48
<b>C-Face, Footless</b>														
1/2	1800	6000	56C	TENV	IDVSWDM3538	1,356	E2	11.07	29	82.5	230/460	0.8	C	48
3/4	1800	6000	56C	TENV	IDVSWDM3542	1,541	E2	12.06	36	78.5	230/460	1	C	48
1	1800	3600	56C	TENV	IDVSWDM3546	1,599	E2	12.06	39	85.5	208-230/460	1.4	C	48
		6000	143TC	TENV	IDVSWDM3546T	1,599	E2	12.12	39	85.5	208-230/460	1.5	C	48
1 1/2	1800	4000	56C	TEFC	IDVSWDM3554	1,710	E2	14.12	49	88.5	230/460	2.1	C	48
			145TC	TEFC	IDVSWDM3554T	1,710	E2	14.17	51	88.5	230/460	2.1	B	48
2	1800	3600	56C	TEFC	IDVSWDM3558	1,821	E2	14.12	49	86.5	230/460	2.5	C	48
		4500	145TC	TEFC	IDVSWDM3558T	1,821	E2	13.29	49	86.5	230/460	2.9	B	48
3	1800	6000	182TC	TEFC	IDVSWDM3611T	1,915	E2	16.56	73	89.5	230/460	4	B	48
5	1800	6000	184TC	TEFC	IDVSWDM3615T	2,232	E2	18.06	101	90.2	230/460	6.4	B	48

(a) See notes on inside back flap.

General Information

Premium Efficient Super-E® Motors

Single Phase Motors

General Purpose Industrial Motors

Severe Duty Motors

Washdown Duty Motors

Explosion Proof Motors

Pump Motors

Light Industrial/Commercial Motors

HVAC Motors

BALDOR • RELIANCE

**Inverter Motor,  
Three Phase,  
TENV, C-Face,  
Foot Mounted**

**1 thru 10 Hp**

**NEMA 143TC thru 254TC**

**Applications:** Conveyors, pumps and other equipment in food processing and other wet environments.

**Features:** Designed for inverter or vector applications where up to a 1000:1 constant torque speed range is required. Provisions for mounting optional HS25 encoder feedback devices shown on page 238 for use in closed loop velocity or position control. Meets NEMA MG 1, Part 31. 1.00 Service Factor. Class “H” insulated.



Hp	RPM	Max. RPM	NEMA Frame	Catalog Number	List Price	Mult. Sym.	“C” Dim.	Aprx. Wt. (lb)	Full Load Efficiency	Voltage	Full Load Amps	EISA Status (a)	Notes (a)
1	1800	6000	143TC	IDWNM3546T	1,367	E2	14.90	39	86.5	230/460	1.4	C	48
1 1/2	1800	4500	145TC	IDWNM3554T	1,506	E2	15.78	50	86.5	230/460	2.1	C	48
2	1800	6000	182TC	IDWNM3609T	1,659	E2	17.77	69	84	230/460	2.9	C	48
3	1800	6000	184TC	IDWNM3611T	1,807	E2	17.77	80	88.5	230/460	4	C	48
5	1800	4000	213TC	IDWNM3707T	2,045	E2	19.84	122	89.5	230/460	6.7	C	48
7 1/2	1800	5000	254TC	IDWNM22937T	3,168	E2	23.92	242	91	230/460	9.1	C	48
10	1800	5000	254TC	IDWNM22938T	3,710	E2	23.92	291	91.7	230/460	12	C	48

(a) See notes on inside back flap.

**Vector Motor,  
Three Phase,  
TENV, C-Face,  
Foot Mounted**

**1 thru 10 Hp**

**NEMA 143TC thru 254TC**

**Applications:** Material handling, packaging equipment in food processing and other wet environments.

**Features:** Designed for inverter or vector applications where up to a 1000:1 constant torque speed range is required. Motors include 1024 PPR HS25 encoder feedback with MS connector. Meets NEMA MG 1, Part 31. 1.00 Service Factor. Class “H” insulated.



Hp	RPM	Max. RPM	NEMA Frame	Catalog Number	List Price	Mult. Sym.	“C” Dim.	Aprx. Wt. (lb)	Full Load Efficiency	Voltage	Full Load Amps	EISA Status (a)	Notes (a)
1	1800	6000	143TC	ZDWNM3546T	2,739	E2	14.90	42	85.5	230/460	1.5	C	48
1 1/2	1800	4500	145TC	ZDWNM3554T	2,878	E2	15.78	55	86.5	230/460	2.1	C	48
2	1800	6000	182TC	ZDWNM3609T	3,031	E2	17.77	71	84	230/460	2.9	C	48
3	1800	6000	184TC	ZDWNM3611T	3,182	E2	17.77	79	88.5	230/460	4	C	48
5	1800	6000	213TC	ZDWNM3707T	3,419	E2	19.84	125	89.5	230/460	6.7	C	48
7 1/2	1800	5000	254TC	ZDWNM22937T	4,543	E2	23.92	240	91	230/460	9.1	C	48
10	1800	5000	254TC	ZDWNM22938T	5,085	E2	23.92	292	91.7	230/460	12	C	48

(a) See notes on inside back flap.

General Information

Premium Efficient Super-E® Motors

Single Phase Motors

General Purpose Industrial Motors

Severe Duty Motors

Washdown Duty Motors

Explosion Proof Motors

Pump Motors

Light Industrial/Commercial Motors

HVAC Motors



Single and Three Phase, Foot Mounted

1/4 thru 300 Hp

NEMA 48 thru 449TY

Applications: Ideal for use where hazardous fumes or dust may be present.



Features: U.L. and CSA approved for Class I, Group D and Class I, Group C & D and Class II, Group F & G. Corrosion resistant epoxy finish. Shipped with U.L. and CSA approved cast conduit box assembled to each motor. 1.00 Service Factor. EM Super-E® explosion proof motors have NEMA Premium® efficiency and 3 year warranty.

Hp	RPM	NEMA Frame	Catalog Number	XP (a) Cls/Grp	List Price	Mult. Sym.	"C" Dim.	Aprx. Wt. (lb)	Full Load Efficiency	Voltage	Full Load Amps	EISA Status (a)	Notes (a)
<b>Single Phase</b>													
1/4	1800	48	L4003A	⑧	487	K	12.85	27	55	115/208-230	2.5	C	
		56	L5000A	⑧	465	K	13.22	27	62	115/208-230	2.1	C	
		56	L5000A-C	④	579	K	13.22	32	62	115/208-230	2.1	C	
1/3	1800	48	L4005A	⑧	432	K	12.85	28	55	115/230	3	C	
		48	L4006A	⑧	628	K	12.85	29	60	115/208-230	3	C	
		56	L5001A	⑧	598	K	13.22	29	60	115/208-230	3	C	
1/2	1800	56	L5002A	⑦	847	K	14.30	41	54	115/230	3.4	C	
		56	L5003A	⑧	567	K	13.22	30	57	115/230	3.7	C	
		48	L4009A	⑧	691	K	13.85	36	64	115/208-230	3.7	C	
3/4	1800	56	L5004A	⑧	659	K	14.22	35	64	115/208-230	3.7	C	
		56	L5004A-C	④	773	K	14.22	41	64	115/208-230	3.7	C	
		56	L5005A	⑦	976	K	15.17	50	59	115/230	4	C	
1	1800	56	L5006A	⑦	640	K	14.30	40	62	115/230	4.9	C	
		56	L5007A	⑦	775	K	15.17	48	66	115/230	5.3	C	
		56	L5007A-C	②	888	K	15.17	52	66	115/230	5.3	C	
1 1/2	1800	56	L5022	①	1,128	K	16.04	57	59.5	115/230	5.7	C	
		56	L5009A	⑦	691	K	15.17	48	66	115/230	6	C	
		56	L5023A	①	882	K	15.17	48	67	115/230	6.5	C	
2	1800	143T	L5023T	①	864	L1	15.23	48	67	115/208-230	6.4	C	
		184	L5026	⑧	1,933	L1	16.92	82	67	115/208-230	7	C	
		143T	L5030T	⑧	1,001	L1	15.23	53	70	115/208-230	7.5	C	
3	1800	184	L5013	⑧	1,795	L1	16.92	75	70	115/230	9.5	C	
		3600	L5031T	⑧	1,238	L1	16.11	60	74	115/208-230	11.5	C	
		1800	L5027T	①	1,819	L1	17.42	81	75	115/230	11	C	
5	1800	184T	L5028T	①	1,890	L1	17.42	81	76	115/230	14.5	C	
		215	L5018	⑧	2,872	L1	19.49	152	79	115/230	15	C	
		215	L5020	①	3,653	L1	19.90	171	84	230	21	C	
<b>Three Phase</b>													
1/4	1800	48	M6002A	⑧	507	K	12.85	26	63	208-230/460	0.7	C	
		56	M7002A	⑧	609	K	13.22	28	67	208-230/460	0.8	C	
		56	M7003A	⑦	874	K	14.36	34	70	208-230/460	0.8	C	
1/2	1800	56	M7005A	⑧	698	K	13.22	27	68	208-230/460	1.1	C	
		48	M6007A	⑧	634	K	12.85	29	74	208-230/460	1	C	
		56	M7006A	⑧	634	K	13.22	30	74	208-230/460	1	C	
3/4	1800	56	M7007A	⑦	923	K	14.36	39	70	208-230/460	1.2	C	
		56	M7009A	⑧	727	K	13.22	29	75	208-230/460	1.3	C	
		56	M7010A	⑧	730	K	14.22	34	73	208-230/460	1.5	C	
1200	56	M7031A	⑦	980	K	15.23	44	77	208-230/460	1.4	C		
	143T	M7031TA	⑦	980	L1	15.23	47	77	208-230/460	1.4	C		

(a) See notes on inside back flap.

**CAUTION:** Explosion-proof motors have a tight fit between mating parts to ensure the integrity of the explosion-proof enclosure. This can lead to an accumulation of moisture inside the motors due to condensation. Care should be used when selecting an explosion-proof motor, especially when installed outdoors and on intermittent duty. Consider explosion-proof motors on pages 110-114 for outdoor applications. These explosion-proof motors are not suitable for use with adjustable speed drives, inverter duty explosion-proof motors must be used. See page 232.

General Information

Premium Efficient Super-E® Motors

Single Phase Motors

General Purpose Industrial Motors

Severe Duty Motors

Washdown Duty Motors

Explosion Proof Motors

Pump Motors

Light Industrial/Commercial Motors

HVAC Motors

**Single and Three Phase, Foot Mounted**

Hp	RPM	NEMA Frame	Catalog Number	XP <sup>(a)</sup> CIs/Grp	List Price	Mult. Sym.	"C" Dim.	Aprx. Wt. (lb)	Full Load Efficiency	Voltage	Full Load Amps	EISA Status <sup>(a)</sup>	Notes <sup>(a)</sup>	
1	3600	56	M7013	Ⓢ	766	K	13.22	31	75.5	208-230/460	1.8	C		
		56	M7014	Ⓢ	799	K	14.30	38	75.5	208-230/460	1.8	C	19	
	1800	143T	EM7014T	Ⓢ	1,116	L1	15.23	49	85.5	230/460	1.5	A	19	
		143T	EM7114T	Ⓢ	1,536	L1	16.28	85	85.5	208-230/460	1.5	A	19	
		143T	EM7114T-C	Ⓢ	1,273	L1	16.28	85	85.5	208-230/460	1.5	A	19	
		143T	M7014T	Ⓢ	833	LS	14.36	44	82.5	230/460	1.6	D	19	
		143T	M7114T	Ⓢ	1,181	LS	16.28	78	82.5	230/460	1.6	D	19	
		182	M7015	Ⓢ	1,152	L1	15.23	44	82.5	208-230/460	1.8	B	19	
	1200	56	M7032	Ⓢ	980	K	15.17	44	75.5	230/460	1.7	C		
		145T	EM7032T	Ⓢ	1,248	L1	17.48	55	82.5	230/460	1.7	A		
145T		M7032T	Ⓢ	960	L1	15.23	52	80	230/460	1.8	D			
1 1/2	3600	143T	EM7018T	Ⓢ	1,021	L1	14.36	47	84	208-230/460	1.9	A	19	
		143T	M7018T	Ⓢ	786	L1	14.36	45	82.5	230/460	2.1	D	19	
	1800	56	M7034	Ⓢ	870	K	14.30	43	78.5	208-230/460	2.5	C	19	
		145T	EM7034T	Ⓢ	1,156	L1	16.10	56	86.5	230/460	2	A	19	
		145T	EM7134T	Ⓢ	1,556	L1	16.28	92	86.5	208-230/460	2.3	A		
		145T	EM7134T-C	Ⓢ	1,303	L1	16.28	85	86.5	230/460	2.1	A		
		145T	M7034T	Ⓢ	835	LS	15.23	48	84	230/460	2.4	D	19	
		145T	M7134T	Ⓢ	1,197	LS	16.28	81	84	208-230/460	2.3	D		
	1200	184	M7019	Ⓢ	1,460	L1	15.23	49	84	208-230/460	2.5	B	19	
		182T	EM7020T	Ⓢ	1,718	L1	17.42	96	87.5	230/460	2.6	A	19	
		182T	EM7120T	Ⓢ	1,910	L1	18.24	136	87.5	230/460	2.8	A	19	
	2	3600	145T	EM7071T	Ⓢ	1,045	L1	16.10	56	85.5	230/460	2.5	A	19
			145T	M7071T	Ⓢ	804	L1	15.23	52	84	230/460	2.6	D	19
		1800	56	M7037	Ⓢ	973	K	15.17	51	82.5	208-230/460	3.1	C	
145T			EM7037T	Ⓢ	1,261	L1	16.10	61	86.5	208-230/460	2.7	A	19	
145T			EM7137T	Ⓢ	1,638	L1	16.28	92	86.5	208-230/460	2.7	A	19	
145T			EM7137T-C	Ⓢ	1,339	L1	16.28	91	86.5	208-230/460	2.8	A		
145T			M7037T	Ⓢ	942	LS	15.23	51	84	230/460	3.1	D	19	
145T			M7137T	Ⓢ	1,260	LS	16.28	82	84	230/460	3.1	D	19	
1200		184	M7023	Ⓢ	1,495	L1	15.23	54	84	208-230/460	3.1	B	19	
		184T	EM7041T	Ⓢ	1,770	L1	18.92	109	88.5	230/460	3.3	A	19	
		184T	M7041T	Ⓢ	1,361	L1	18.92	92	86.5	230/460	3.3	D	19	
3		3600	145T	EM7075T	Ⓢ	1,238	L1	17.48	77	86.5	230/460	3.7	A	
			145T	M7075T	Ⓢ	952	L1	17.48	69	85.5	230/460	3.7	D	
			182T	EM7026T	Ⓢ	1,308	L1	16.05	70	86.5	230/460	3.7	A	19
	182T		EM7126T	Ⓢ	1,759	L1	17.56	130	86.5	230/460	3.5	A	19	
	182T		M7026T	Ⓢ	1,006	L1	16.05	66	85.5	230/460	3.7	D	19	
	182T		M7126T	Ⓢ	1,353	L1	17.56	127	85.5	230/460	3.7	D	19	
	184		M7026	Ⓢ	1,278	L1	15.55	64	85.5	208-230/460	3.9	B	19	
	182T		EM7042T	Ⓢ	1,340	L1	18.92	90	89.5	230/460	4.2	A	19	
	1800	182T	EM7142T	Ⓢ	1,636	L1	17.56	139	89.5	230/460	4	A	19	
		182T	EM7142T-C	Ⓢ	1,448	L1	17.56	136	89.5	230/460	4	A	19	
		182T	M7042T	Ⓢ	1,030	LS	17.42	81	87.5	230/460	4.1	D	19	
		182T	M7142T	Ⓢ	1,258	LS	17.56	132	87.5	230/460	4.8	D	19	
		213	M7027	Ⓢ	1,708	L1	16.44	110	87.5	230/460	4.5	B	19	
		213T	EM7036T	Ⓢ	1,929	L1	20.32	152	89.5	230/460	3.7	A	19	
1200	213T	M7036T	Ⓢ	1,484	L1	19.57	144	87.5	230/460	4.6	D	19		

<sup>(a)</sup> See notes on inside back flap.

■ Cast Iron Frame

**CAUTION:** Explosion-proof motors have a tight fit between mating parts to ensure the integrity of the explosion-proof enclosure. This can lead to an accumulation of moisture inside the motors due to condensation. Care should be used when selecting an explosion-proof motor, especially when installed outdoors and on intermittent duty. Consider explosion-proof motors on pages 110-114 for outdoor applications. These explosion-proof motors are not suitable for use with adjustable speed drives, inverter duty explosion-proof motors must be used. See page 232.

General Information

Premium Efficient Super-E® Motors

Single Phase Motors

General Purpose Industrial Motors

Severe Duty Motors

Washdown Duty Motors

Explosion Proof Motors

Pump Motors

Light Industrial/Commercial Motors

HVAC Motors

Single and Three Phase, Foot Mounted

Hp	RPM	NEMA Frame	Catalog Number	XP (a) CIs/Grp	List Price	Mult. Sym.	"C" Dim.	Aprx. Wt. (lb)	Full Load Efficiency	Voltage	Full Load Amps	EISA Status (a)	Notes (a)	
5	3600	184T	EM7072T	Ⓢ	1,538	L1	18.12	100	88.5	230/460	5.9	A	19	
		184T	EM7172T	Ⓢ	2,062	L1	17.56	155	88.5	230/460	5.7	A	19	
		184T	M7072T	Ⓢ	1,183	L1	18.12	93	87.5	230/460	5.6	D	19	
		184T	M7172T	Ⓢ	1,586	L1	17.56	145	87.5	230/460	5.6	D	19	
	1800	184T	EM7044T	Ⓢ	1,660	L1	18.92	105	89.5	230/460	6.5	A	19	
		184T	EM7144T	Ⓢ	2,051	L1	17.56	152	89.5	230/460	6.5	A	19	
		184T	EM7144T-C	②	1,746	L1	17.56	152	89.5	230/460	6.5	A	19	
		184T	M7044T	Ⓢ	1,277	LS	17.37	99	87.5	230/460	6.7	D	19	
		184T	M7144T	Ⓢ	1,490	LS	17.56	139	87.5	230/460	6.7	D	19	
		215	M7030	Ⓢ	2,211	L1	18.06	128	87.5	208-230/460	7	B	19	
		1200	215T	EM7040T	Ⓢ	2,529	L1	22.32	172	89.5	230/460	5.8	A	19
			215T	M7040T	Ⓢ	1,945	L1	20.32	161	87.5	230/460	7.5	D	19
7 1/2	3600	184T	EM7073T	①	2,018	L1	18.92	105	89.5	230/460	8.4	A	30	
		184T	M7073T	①	1,528	L1	18.92	94	88.5	230/460	8.3	D		
		213T	EM7045T	Ⓢ	2,122	L1	19.57	172	89.5	230/460	8.9	A	19	
		213T	EM7145T	Ⓢ	2,379	L1	19.90	162	89.5	230/460	8.6	A	19	
		213T	M7045T	Ⓢ	1,632	L1	19.57	166	88.5	230/460	8.9	D	19	
		213T	M7145T	Ⓢ	1,830	L1	19.90	154	88.5	230/460	8.9	D	19	
	1800	213T	EM7047T	Ⓢ	2,204	L1	19.57	178	91.7	230/460	10.1	A	19	
		213T	EM7147T	Ⓢ	2,430	L1	19.90	192	91.7	230/460	9.4	A	19	
		213T	EM7147T-C	②	2,184	L1	19.91	225	91.7	230/460	9.5	A	19	
		213T	M7047T	Ⓢ	1,574	LS	19.57	168	89.5	230/460	10.1	D	19	
		213T	M7147T	Ⓢ	1,800	LS	19.90	175	89.5	230/460	10.3	D	19	
		1200	254T	EM7048T	Ⓢ	2,994	L1	25.50	392	91	230/460	10.7	A	19
	254T		M7048T	Ⓢ	2,303	L1	25.50	381	89.5	230/460	11.1	D	19	
	10	3600	215T	EM7074T	①	2,392	L1	20.82	175	90.2	230/460	11.2	A	
			215T	EM7174T	Ⓢ	2,496	L1	19.31	188	90.2	230/460	11.1	A	19
			215T	M7074T	①	1,841	L1	20.07	162	89.5	230/460	11.6	D	
215T			M7174T	Ⓢ	1,920	L1	19.90	208	89.5	230/460	11.6	D	19	
1800		215T	EM7070T	Ⓢ	2,462	L1	22.32	175	91.7	230/460	12.5	A		
		215T	EM7170T	Ⓢ	3,114	LS	19.90	251	91.7	230/460	12.5	A	19	
		215T	EM7170T-C	④	3,035	L1	19.91	252	91.7	230/460	12.5	A	19	
		215T	M7070T	Ⓢ	1,652	LS	21.07	164	89.5	230/460	13.5	D		
		215T	M7170T	Ⓢ	2,124	LS	19.90	186	89.5	230/460	13	D	19	
		1200	256T	EM7065T	Ⓢ	3,600	L1	25.50	370	91	230/460	14.4	A	19
256T			M7065T	Ⓢ	2,769	L1	25.50	357	89.5	230/460	14.4	D	19	
15		3600	254T	EM7053T	Ⓢ	2,822	L1	25.50	305	91	230/460	17.2	A	19
	254T		M7053T	Ⓢ	2,171	L1	25.50	292	90.2	230/460	17	D	19	
	1800	254T	EM7054T	Ⓢ	3,307	L1	25.50	370	92.4	230/460	18	A	19	
		254T	EM7054T-C	②	3,388	L1	25.50	370	92.4	230/460	18	A	19	
		254T	M7054T	Ⓢ	2,461	LS	25.50	376	91	230/460	18.2	D	19	
		284T	EM7057T	Ⓢ	5,803	L1	28.61	450	91.7	230/460	21	A	19	
	284T	M7057T	Ⓢ	4,464	L1	28.61	436	90.2	230/460	21	D	19		
	3600	256T	EM7059T	Ⓢ	3,619	L1	25.50	395	91	230/460	23	A	19	
256T		M7059T	Ⓢ	2,784	L1	25.50	371	90.2	230/460	23	D	19		
1800		256T	EM7056T	Ⓢ	4,285	L1	25.50	393	93	230/460	24	A	19	
		256T	EM7056T-C	②	4,375	L1	25.50	393	93	230/460	24	A	19	
		256T	M7056T	Ⓢ	3,191	LS	25.50	381	91	230/460	25	D	19	
1200		286T	EM7079T	Ⓢ	5,958	L1	28.61	540	91.7	230/460	26	A	19	
	286T	M7079T	Ⓢ	4,583	L1	28.61	522	90.2	230/460	27	D	19		

a) See notes on inside back flap.

■ Cast Iron Frame

**CAUTION:** Explosion-proof motors have a tight fit between mating parts to ensure the integrity of the explosion-proof enclosure. This can lead to an accumulation of moisture inside the motors due to condensation. Care should be used when selecting an explosion-proof motor, especially when installed outdoors and on intermittent duty. Consider explosion-proof motors on pages 110-114 for outdoor applications. These explosion-proof motors are not suitable for use with adjustable speed drives, inverter duty explosion-proof motors must be used. See page 232.

General Information

Premium Efficient Super-E® Motors

Single Phase Motors

General Purpose Industrial Motors

Severe Duty Motors

Washdown Duty Motors

Explosion Proof Motors

Pump Motors

Light Industrial/Commercial Motors

HVAC Motors

Single and Three Phase, Foot Mounted

Hp	RPM	NEMA Frame	Catalog Number	XP <sup>(a)</sup> Cts/Grp	List Price	Mult. Sym.	"C" Dim.	Aprx. Wt. (lb)	Full Load Efficiency	Voltage	Full Load Amps	EISA Status <sup>(a)</sup>	Notes <sup>(a)</sup>
25	3600	284TS	EM7063T	⑧	4,817	L1	27.24	530	91.7	230/460	28	A	19
		284TS	M7063T	⑧	3,705	L1	27.24	517	91	230/460	28.5	D	19
	1800	284T	EM7058T	⑧	5,199	L1	28.61	542	93.6	230/460	30.5	A	19
		284T	EM7058T-C	②	5,300	L1	28.61	564	93.6	230/460	30.5	A	19
		284T	M7058T	⑧	3,948	LS	28.61	528	92.4	230/460	30.8	D	19
		324T	EM7082T	⑧	7,450	L1	32.00	740	93	230/460	32	A	19
1200	324T	M7082T	⑧	5,731	L1	32.00	721	91.7	230/460	31	D	19	
	30	3600	286TS	EM7083T	⑧	5,662	L1	27.24	560	91.7	230/460	33	A
286TS			M7083T	⑧	4,355	L1	27.24	534	91	230/460	34	D	19
1800		286T	EM7060T	⑧	6,338	L1	28.61	567	93.6	230/460	36	A	19
		286T	EM7060T-C	②	6,443	L1	28.61	589	93.6	230/460	37	A	19
		286T	M7060T	⑧	4,719	LS	28.61	491	92.4	230/460	36	D	19
1200		326T	EM7080T	⑧	8,219	L1	32.00	750	93	230/460	39	A	19
	326T	M7080T	⑧	6,322	L1	32.00	737	91.7	230/460	37	D	19	
40	3600	324TS	EM7067T	⑧	7,552	L1	30.50	740	92.4	230/460	45	A	19
		324TS	M7067T	⑧	5,809	L1	30.50	718	91.7	230/460	45	D	19
	1800	324T	EM7062T	⑧	8,494	L1	32.00	767	94.1	230/460	48	A	19
		324T	EM7062T-C	②	8,609	L1	32.12	834	94.1	230/460	48	A	19
		324T	M7062T	⑧	6,447	LS	32.00	750	93	230/460	47	D	19
	1200	364T	EM7084T	⑧	9,526	L1	33.44	910	94.1	230/460	49.4	A	19
364T		M7084T	⑧	7,328	L1	33.25	915	93	230/460	49	D	19	
50	3600	326TS	EM7081T	⑧	9,670	L1	30.50	724	93	230/460	56	A	19
		326TS	M7081T	⑧	7,439	L1	30.50	704	92.4	230/460	56	D	19
	1800	326T	EM7064T	⑧	11,326	LS	32.00	783	94.5	230/460	57	A	19
		326T	EM7064T-C	②	9,996	L1	32.12	851	94.5	230/460	57	A	19
		326T	M7064T	⑧	7,501	LS	32.00	769	93	230/460	60	D	19
	1200	365T	EM7085T	⑦	10,751	L1	33.44	950	94.1	230/460	61.7	A	19
365T		M7085T	⑦	8,270	L1	33.25	918	93	230/460	61	D	19	
60	1800	364T	EM7066T	⑦	12,670	LS	33.25	965	95	230/460	69	A	19
		364T	EM7066T-C	②	11,174	L1	33.25	989	95	230/460	69	A	19
		364T	M7066T	⑦	8,390	LS	33.25	969	93.6	230/460	69	D	19
	1200	404T	EM7086T	⑦	12,828	L1	38.31	1300	94.5	230/460	69	A	19
		404T	M7086T	⑦	9,868	L1	38.75	1233	93.6	230/460	70	D	19
		365T	EM7068T	②	13,345	L1	33.44	1065	95.4	230/460	86	A	19, 35
75	1800	365T	M7068T	②	10,465	LS	33.25	1031	94.1	230/460	85	D	19
		405T	EM7087T	⑦	14,352	L1	38.31	1335	94.5	230/460	86.9	A	19
	1200	405T	M7087T	⑦	11,224	L1	38.75	1338	93.6	230/460	88	D	19
100	1800	405T	EM7090T	②	15,498	L1	38.31	1335	95.4	230/460	112	A	19
		405T	M7090T	②	12,398	LS	38.75	1363	94.5	230/460	113	D	19
125	1800	444T	EM74124T-4	②	18,111	L1	44.62	1908	95.4	460	139	A	19
		444T	M74124T-4	②	16,567	LS	44.25	1327	94.5	460	143	D	19
150	1800	445T	EM74154T-4	②	20,240	L1	44.62	2048	95.8	460	165	A	19
		445T	M74154T-4	②	18,347	LS	44.25	1450	95	460	167	D	19
200	1800	447T	EM74204T-4	②	28,930	L1	48.40	2417	96.2	460	221	A	19
		447T	M74204T-4	②	27,037	LS	52.75	1975	95	460	224	D	19, 20
250	1800	447T	M74254T-4	②	31,526	L1	52.75	2016	95	460	284	B	19, 20
300	1800	449TY	M74304T-4	②	46,928	L1	54.25	2959	95	460	328	B	19, 20

(a) See notes on inside back flap.

■ Cast Iron Frame

**CAUTION:** Explosion-proof motors have a tight fit between mating parts to ensure the integrity of the explosion-proof enclosure. This can lead to an accumulation of moisture inside the motors due to condensation. Care should be used when selecting an explosion-proof motor, especially when installed outdoors and on intermittent duty. Consider explosion-proof motors on pages 110-114 for outdoor applications. These explosion-proof motors are not suitable for use with adjustable speed drives, inverter duty explosion-proof motors must be used. See page 232.

General Information

Premium Efficient Super-E® Motors

Single Phase Motors

General Purpose Industrial Motors

Severe Duty Motors

Washdown Duty Motors

Explosion Proof Motors

Pump Motors

Light Industrial/Commercial Motors

HVAC Motors

Single and Three Phase, C-Face

1/3 thru 50 Hp

NEMA 56C thru 326TC

**Applications:** Ideal for use on pumps, blowers and valves installed where hazardous fumes or dust may be present.

**Features:** Corrosion resistant epoxy finish. Positively locked drive end bearing. U.L. approved cast conduit box-standard. 1.00 S.F. U.L. and CSA approved for Class 1, Group D, Class 2, Group F & G Efficiency and 3 year warranty. No drip cover.



Hp	RPM	NEMA Frame	Catalog Number	XP <sup>(a)</sup> Cls/Grp	List Price	Mult. Sym.	"C" Dim.	Aprx. Wt. (lb)	Full Load Efficiency	Voltage	Full Load Amps	EISA Status <sup>(a)</sup>	Notes <sup>(a)</sup>
<b>Single Phase, C-Face, Foot Mounted</b>													
1/3	1800	56C	CL5001A	Ⓢ	729	K	13.22	30	60	115/208-230	3	C	
1/2	3600	56C	CL5003A	Ⓢ	640	K	13.22	31	57	115/230	3.7	C	
	1800	56C	CL5004A	Ⓢ	730	K	14.22	37	64	115/208-230	3.7	C	
3/4	1800	56C	CL5007A	⑦	814	K	15.17	48	66	115/230	5.3	C	
1	3600	56C	CL5009A	⑦	726	K	15.17	49	66	115/230	6	C	
	1800	56C	CL5023A	①	925	K	15.17	48	67	115/230	6.5	C	
1 1/2	3600	143TC	CL5030T	Ⓢ	1,138	L1	15.23	54	70	115/208-230	7.5	C	
	1800	184C	CL5013	Ⓢ	1,847	L1	16.93	81	70	115/230	9.5	C	
2	3600	143TC	CL5031T	Ⓢ	1,301	L1	16.10	61	74	115/208-230	11.5	C	
	1800	182TC	CL5027T	①	1,906	L1	18.86	96	75	115/230	11	C	
3	3600	184TC	CL5028T	①	1,928	L1	18.86	96	76	115/230	14.5	C	
	1800	215C	CL5018	Ⓢ	2,958	L1	19.56	154	79	115/230	15	C	
5	1800	215C	CL5020	①	3,766	L1	20.69	170	84	230	21	C	
<b>Single Phase, C-Face, Footless</b>													
1/4	1800	56C	VL5000A	Ⓢ	645	K	13.22	30	62	115/208-230	2.1	C	
1/3	3600	56C	VL4005A	Ⓢ	491	K	13.22	30	57	115/230	3.5	C	
	1800	56C	VL5001A	Ⓢ	659	K	13.22	29	60	115/208-230	3	C	
	1200	56C	VL5002A	⑦	883	K	14.30	42	54	115/230	3.4	C	
1/2	3600	56C	VL5003A	Ⓢ	635	K	13.22	30	57	115/230	3.7	C	
	1800	56C	VL5004A	Ⓢ	728	K	14.22	36	64	115/208-230	3.7	C	
	1200	56C	VL5005A	⑦	1,013	K	15.17	50	59	115/230	4	C	
3/4	3600	56C	VL5006A	⑦	679	K	14.30	40	62	115/230	4.9	C	
	1800	56C	VL5007A	⑦	811	K	15.17	47	66	115/230	5.3	C	
1	3600	56C	VL5009A	⑦	728	K	15.17	49	66	115/230	6	C	
	1800	56C	VL5023A	①	921	K	15.17	51	67	115/230	6.5	C	
1 1/2	3600	56C	VL5030	①	1,048	K	15.17	54	70	115/208-230	7.5	C	
	1800	56C	VL5024A	①	1,216	K	17.42	75	75	115/230	8	C	
2	1800	184C	VL5027	①	1,934	L1	16.93	91	75	115/208-230	11	C	
<b>Three Phase, C-Face, Foot Mounted</b>													
1/2	3600	56C	CM7005A	Ⓢ	764	K	13.22	28	68	208-230/460	1.1	C	
	1800	56C	CM7006A	Ⓢ	827	K	13.22	30	74	208-230/460	1	C	
3/4	3600	56C	CM7009A	Ⓢ	789	K	13.22	30	75	208-230/460	1.3	C	
	1800	56C	CM7010A	Ⓢ	843	K	14.22	35	73	208-230/460	1.5	C	
1	3600	56C	CM7013	Ⓢ	825	K	13.22	31	75.5	208-230/460	1.8	C	
		56C	CM7014	Ⓢ	899	K	14.30	41	75.5	208-230/460	1.8	C	19
	1800	143TC	CEM7014T	Ⓢ	1,183	L1	15.23	52	85.5	230/460	0	A	19
		143TC	CM7014T	Ⓢ	899	L1	14.36	44	82.5	230/460	1.6	D	19

<sup>(a)</sup> See notes on inside back flap.

**CAUTION:** Explosion-proof motors have a tight fit between mating parts to ensure the integrity of the explosion-proof enclosure. This can lead to an accumulation of moisture inside the motors due to condensation. Care should be used when selecting an explosion-proof motor, especially when installed outdoors and on intermittent duty. Consider explosion-proof motors on pages 110-114 for outdoor applications. These explosion-proof motors are not suitable for use with adjustable speed drives, inverter duty explosion-proof motors must be used. See page 232.

General Information

Premium Efficient Super-E® Motors

Single Phase Motors

General Purpose Industrial Motors

Severe Duty Motors

Washdown Duty Motors

Explosion Proof Motors

Pump Motors

Light Industrial/Commercial Motors

HVAC Motors



Single and Three Phase, C-Face

Hp	RPM	NEMA Frame	Catalog Number	XP <sup>(a)</sup> Cts/Grp	List Price	Mult. Sym.	"C" Dim.	Aprx. Wt. (lb)	Full Load Efficiency	Voltage	Full Load Amps	EISA Status <sup>(a)</sup>	Notes <sup>(a)</sup>
1 1/2	3600	143TC	CEM7018T	Ⓢ	1,171	L1	15.23	48	84	230/460	1.9	A	19
		143TC	CM7018T	Ⓢ	935	L1	14.36	47	82.5	230/460	2.1	D	19
	1800	56C	CM7034	Ⓢ	958	K	14.30	44	78.5	208-230/460	2.5	C	19
		145TC	CEM7034T	Ⓢ	1,281	L1	16.10	59	86.5	230/460	0	A	19
		145TC	CM7034T	Ⓢ	958	L1	15.23	49	84	230/460	2.4	D	19
2	3600	145TC	CEM7071T	Ⓢ	1,168	L1	16.10	92	85.5	230/460	2.5	A	19
		145TC	CM7071T	Ⓢ	1,032	L1	15.23	52	84	230/460	2.6	D	19
	1800	56C	CM7037	Ⓢ	1,037	K	15.17	52	82.5	208-230/460	3.1	C	19
		145TC	CEM7037T	Ⓢ	1,357	L1	16.10	65	86.5	208-230/460	2.7	A	19
		145TC	CM7037T	Ⓢ	1,037	L1	15.23	53	84	230/460	3.1	D	19
3	3600	145TC	CEM7075T	①	1,448	L1	17.49	75	86.5	230/460	3.7	A	19
		145TC	CM7075T	①	1,162	L1	17.48	69	85.5	230/460	3.7	D	19
	1800	182TC	CEM7042T	Ⓢ	1,645	L1	20.36	85	89.5	230/460	4.2	A	19
		182TC	CM7042T	Ⓢ	1,336	L1	18.86	92	87.5	230/460	4.1	D	19
		184TC	CEM7072T	Ⓢ	1,910	L1	18.86	97	88.5	230/460	5.9	A	19
5	3600	184TC	CM7072T	Ⓢ	1,555	L1	18.86	101	87.5	230/460	5.6	D	19
		184TC	CEM7044T	Ⓢ	1,989	L1	18.80	96	89.5	230/460	6.5	A	19
	1800	184TC	CM7044T	Ⓢ	1,607	L1	18.80	111	87.5	230/460	6.7	D	19
		184TC	CEM7073T	①	2,243	L1	20.36	120	89.5	230/460	8.4	A	30
		184TC	CM7073T	①	1,753	L1	20.36	111	88.5	230/460	8.3	D	19
7 1/2	3600	213TC	CEM7045T	Ⓢ	2,545	L1	20.33	170	89.5	230/460	8.9	A	19
		213TC	CM7045T	Ⓢ	2,055	L1	20.33	173	88.5	230/460	8.9	D	19
		213TC	CEM7047T	Ⓢ	2,333	L1	20.36	175	91.7	230/460	9.4	A	19
	1800	213TC	CM7047T	Ⓢ	2,088	L1	21.08	183	89.5	230/460	10.1	D	19
		215TC	CEM7174T	Ⓢ	2,778	L1	20.65	235	90.2	230/460	11.2	A	19
10	3600	215TC	CM7174T	Ⓢ	2,202	L1	20.65	215	89.5	230/460	11.6	D	19
		215TC	CEM7170T	Ⓢ	2,838	L1	20.65	252	91.7	230/460	12.2	A	19
	1800	215TC	CM7170T	Ⓢ	2,202	L1	20.65	232	89.5	230/460	13	D	19
		254TC	CEM7053T	Ⓢ	4,014	L1	26.00	305	91	230/460	17.2	A	19
		254TC	CM7053T	Ⓢ	2,363	L1	26.00	345	90.2	230/460	17	D	19
15	3600	254TC	CEM7054T	Ⓢ	4,694	L1	26.00	380	92.4	230/460	18	A	19
		254TC	CM7054T	Ⓢ	3,843	L1	26.00	386	91	230/460	18.2	D	19
	1800	256TC	CEM7059T	Ⓢ	4,812	L1	26.00	406	91	230/460	23	A	19
		256TC	CM7059T	Ⓢ	2,978	L1	26.00	372	90.2	230/460	23	D	19
		256TC	CEM7056T	Ⓢ	5,564	L1	26.00	405	93	230/460	24	A	19
20	3600	256TC	CM7056T	Ⓢ	4,464	L1	26.00	362	91	230/460	25	D	19
		284TSC	CEM7063T	Ⓢ	5,000	L1	27.24	535	91.7	230/460	28	A	19
	1800	284TSC	CM7063T	Ⓢ	3,888	L1	27.24	524	91	230/460	28.5	D	19
		284TC	CEM7058T	Ⓢ	6,813	L1	28.61	555	93.6	230/460	30.5	A	19
		284TC	CM7058T	Ⓢ	5,555	L1	28.61	532	92.4	230/460	30.8	D	19
30	1800	286TC	CEM7060T	Ⓢ	7,907	L1	28.61	574	93.6	230/460	36	A	19
		286TC	CM7060T	Ⓢ	6,279	L1	28.61	533	92.4	230/460	36	D	19
40	1800	324TC	CEM7062T	Ⓢ	10,547	L1	32.00	775	94.1	230/460	48	A	19
		324TC	CM7062T	Ⓢ	8,488	L1	32.00	735	93	230/460	47	D	19
50	1800	326TC	CEM7064T	Ⓢ	11,993	L1	32.00	795	94.5	230/460	57	A	19
		326TC	CM7064T	Ⓢ	9,600	L1	32.00	763	93	230/460	60	D	19

Three Phase, C-Face, Footless

1/4	1800	56C	VM7001A	Ⓢ	768	K	13.22	26	63	208-230/460	0.7	C	
1/3	1800	56C	VM7002A	Ⓢ	784	K	13.22	28	67	208-230/460	0.8	C	
1/2	3600	56C	VM7005A	Ⓢ	759	K	13.22	26	68	208-230/460	1.1	C	
	1800	56C	VM7006A	Ⓢ	825	K	13.22	30	74	208-230/460	1	C	
	1200	56C	VM7007A	⑦	960	K	14.30	38	70	208-230/460	1.2	C	
3/4	3600	56C	VM7009A	Ⓢ	784	K	13.22	29	75	208-230/460	1.3	C	
	1800	56C	VM7010A	Ⓢ	840	K	14.22	33	73	208-230/460	1.5	C	
	1200	56C	VM7031A	⑦	1,008	K	15.17	44	77	208-230/460	1.4	C	

<sup>(a)</sup> See notes on inside back flap.

■ Cast Iron Frame

**CAUTION:** Explosion-proof motors have a tight fit between mating parts to ensure the integrity of the explosion-proof enclosure. This can lead to an accumulation of moisture inside the motors due to condensation. Care should be used when selecting an explosion-proof motor, especially when installed outdoors and on intermittent duty. Consider explosion-proof motors on pages 110-114 for outdoor applications. These explosion-proof motors are not suitable for use with adjustable speed drives, inverter duty explosion-proof motors must be used. See page 232.

**Single and Three Phase, C-Face**

Hp	RPM	NEMA Frame	Catalog Number	XP <sup>(a)</sup> Cls/Grp	List Price	Mult. Sym.	"C" Dim.	Aprx. Wt. (lb)	Full Load Efficiency	Voltage	Full Load Amps	EISA Status <sup>(a)</sup>	Notes <sup>(a)</sup>
1	3600	56C	VM7013	Ⓢ	817	K	13.22	31	75.5	208-230/460	1.8	C	
	1800	56C	VM7014	Ⓢ	882	K	15.22	41	75.5	208-230/460	1.8	C	
		143TC	VM7014T	Ⓢ	952	L1	14.36	40	82.5	208-230/460	1.8	B	19
1 1/2	1200	56C	VM7032	①	1,062	K	15.15	46	75.5	230/460	1.9	C	
	3600	143TC	VM7018T	Ⓢ	1,003	L1	14.36	41	75.5	208-230/460	2.3	B	19
		56C	VM7034	Ⓢ	950	K	14.20	43	78.5	208-230/460	2.5	C	19
		145TC	VM7034T	Ⓢ	1,026	L1	14.36	43	78.5	208-230/460	2.5	B	19
	1800	145TC	VM7035T	①	1,173	L1	16.10	58	80	208-230/460	2.6	B	
		3600	145TC	VM7071T	Ⓢ	1,122	L1	15.23	47	78.5	208-230/460	2.7	B
1800		56C	VM7037	Ⓢ	1,027	K	15.17	51	82.5	208-230/460	3.1	C	19
	145TC	VM7037T	Ⓢ	1,110	L1	15.23	50	82.5	208-230/460	3.1	B	19	
3	3600	145TC	VM7075T	①	1,245	L1	15.23	54	82.5	208-230/460	3.8	B	
		182TC	VM7026T	Ⓢ	1,313	L1	17.49	74	81.5	208-230/460	3.9	B	19
	1800	182TC	VM7042T	Ⓢ	1,423	L1	17.49	81	82.5	230/460	4.3	B	19
5	3600	184TC	VM7072T	Ⓢ	1,660	L1	18.06	97	85.5	208-230/460	6	B	19
	1800	184TC	VM7044T	Ⓢ	1,733	L1	18.80	111	86.5	230/460	6.5	B	19
7 1/2	3600	184TC	VM7073T	①	1,874	L1	20.36	110	87.5	230/460	8.8	B	19
		213TC	VM7045T	Ⓢ	2,182	L1	19.19	144	84	230/460	9.3	B	19
	1800	213TC	VM7047T	Ⓢ	2,006	L1	19.19	156	89.5	230/460	10.1	B	19
10	1800	215TC	VM7170T	Ⓢ	2,433	L1	20.65	220	88.5	230/460	13.8	B	19

<sup>(a)</sup> See notes on inside back flap.

**CAUTION:** Explosion-proof motors have a tight fit between mating parts to ensure the integrity of the explosion-proof enclosure. This can lead to an accumulation of moisture inside the motors due to condensation. Care should be used when selecting an explosion-proof motor, especially when installed outdoors and on intermittent duty. Consider explosion-proof motors on pages 110-114 for outdoor applications. These explosion-proof motors are not suitable for use with adjustable speed drives, inverter duty explosion-proof motors must be used. See page 232.

General Information

Premium Efficient Super-E® Motors

Single Phase Motors

General Purpose Industrial Motors

Severe Duty Motors

Washdown Duty Motors

Explosion Proof Motors

Pump Motors

Light Industrial/Commercial Motors

HVAC Motors

**575 Volt,  
Three Phase,  
Explosion Proof**

**1/2 thru 40 Hp**

**NEMA 56 thru 324T**

**Applications:** Shakers, blowers, pumps, mixers, etc.



**Features:** All models have torques exceeding NEMA standards, copper windings, rotors that are corrosion treated and precision balanced. 1.00 Service Factor. UL and CSA approved for Class I, Group D, Class II, Group, F & G, T3C.

Hp	RPM	NEMA Frame	Catalog Number	XP <sup>(a)</sup> Cls/Grp	List Price	Mult. Sym.	"C" Dim.	Aprx. Wt. (lb)	Full Load Efficiency	Voltage	Full Load Amps	EISA Status <sup>(a)</sup>	Notes <sup>(a)</sup>
<b>Foot Mounted, No Drip Cover</b>													
1/2	1800	56	M7006-5	Ⓟ	634	K	14.30	37	74	575	0.9	C	
3/4	1800	56	M7010-5	Ⓟ	730	K	14.30	35	76	575	1.2	C	
1	3600	56	M7013-5	Ⓟ	766	K	13.22	31	75.5	575	1.2	C	
		56	M7014-5	Ⓟ	799	K	14.30	38	75	575	1.4	C	
	1800	143T	EM7014T-5	Ⓟ	1,280	LS	15.23	49	85.5	575	1.2	A	
		143T	M7014T-5	Ⓟ	833	LS	14.36	43	82.5	575	1.2	D	
1 1/2	3600	143T	EM7018T-5	Ⓟ	1,021	L1	14.36	47	84	575	1.6	A	
		143T	M7018T-5	Ⓟ	786	L1	15.23	49	82.5	575	1.5	D	
	1800	145T	EM7034T-5	Ⓟ	1,326	LS	16.10	56	86.5	575	1.6	A	
		145T	M7034T-5	Ⓟ	835	LS	15.23	50	84	575	1.7	D	
2	3600	145T	EM7071T-5	Ⓟ	1,045	L1	16.10	56	85.5	575	2.2	A	
		145T	M7071T-5	Ⓟ	804	L1	15.23	53	84	575	2.1	D	
	1800	145T	EM7037T-5	Ⓟ	1,446	LS	16.10	61	86.5	575	2.2	A	
		145T	M7037T-5	Ⓟ	942	LS	15.23	53	84	575	2.2	D	
3	1800	182T	EM7042T-5	Ⓟ	1,340	L1	18.92	90	89.5	575	3.4	A	
		182T	M7042T-5	Ⓟ	1,030	LS	17.42	78	87.5	575	3.3	D	
5	3600	184T	EM7072T-5	Ⓟ	1,538	L1	18.12	100	88.5	575	4.8	A	
		184T	M7072T-5	Ⓟ	1,183	L1	18.12	94	87.5	575	5.5	D	
	1800	184T	EM7044T-5	Ⓟ	1,660	L1	18.92	105	89.5	575	5.2	A	
		184T	M7044T-5	Ⓟ	1,277	LS	17.37	97	87.5	575	5.2	D	
7 1/2	1800	213T	EM7047T-5	Ⓟ	2,204	L1	19.57	178	91.7	575	8.1	A	
		213T	M7047T-5	Ⓟ	1,574	LS	19.57	170	89.5	575	8.1	D	
10	1800	215T	EM7170T-5	Ⓟ	2,767	L1	19.90	251	91.7	575	9.8	A	
		215T	M7170T-5	Ⓟ	2,131	L1	19.90	217	89.5	575	10.4	D	
15	1800	254T	EM7054T-5	Ⓟ	3,791	LS	25.50	370	92.4	575	14.4	A	
		254T	M7054T-5	Ⓟ	2,461	LS	25.50	351	91	575	14.9	D	
20	1800	256T	EM7056T-5	Ⓟ	4,913	LS	25.50	393	93	575	19.2	A	
		256T	M7056T-5	Ⓟ	3,191	LS	25.50	361	91	575	19.2	D	
25	1800	284T	EM7058T-5	Ⓟ	5,960	LS	28.61	542	93.6	575	24.4	A	
		284T	M7058T-5	Ⓟ	3,948	LS	28.61	528	92.4	575	24.6	D	
30	1800	286T	EM7060T-5	Ⓟ	7,266	L1	28.61	567	93.6	575	48.4	A	
		286T	M7060T-5	Ⓟ	4,735	L1	28.61	552	92.4	575	28.8	D	
40	1800	324T	EM7062T-5	Ⓟ	9,738	LS	32.00	767	94.1	575	38.4	A	
		324T	M7062T-5	Ⓟ	6,447	LS	32.00	761	93	575	37.6	D	

<sup>(a)</sup> See notes on inside back flap.

■ Cast Iron Frame

**CAUTION:** Explosion-proof motors have a tight fit between mating parts to ensure the integrity of the explosion-proof enclosure. This can lead to an accumulation of moisture inside the motors due to condensation. Care should be used when selecting an explosion-proof motor, especially when installed outdoors and on intermittent duty. The Explosion-proof motors are not suitable for use with adjustable speed drives. Inverter Duty Explosion-proof motors must be used. See page 232.

General Information

Premium Efficient Super-E® Motors

Single Phase Motors

General Purpose Industrial Motors

Severe Duty Motors

Washdown Duty Motors

Explosion Proof Motors

Pump Motors

Light Industrial/Commercial Motors

HVAC Motors

575 Volt, Three Phase, Explosion Proof

Hp	RPM	NEMA Frame	Catalog Number	XP (a) CIs/Grp	List Price	Mult. Sym.	"C" Dim.	Aprx. Wt. (lb)	Full Load Efficiency	Voltage	Full Load Amps	EISA Status (a)	Notes (a)
<b>C-Face, Footless, No Drip Cover</b>													
1/2	1800	56C	VM7006-5	Ⓢ	825	K	14.30	34	74	575	0.9	C	
3/4	1800	56C	VM7010-5	Ⓢ	840	K	14.30	35	76	575	1.2	C	
1	1800	56C	VM7014-5	Ⓢ	882	K	14.30	40	75	575	1.4	C	
		143TC	VEM7014T-5	Ⓢ	1,167	L1	15.23	44	85.5	575	1.1	B	
		143TC	VM7014T-5	Ⓢ	952	L1	14.36	44	82.5	575	1.2	B	
1 1/2	1800	145TC	VEM7034T-5	Ⓢ	1,272	L1	16.10	52	86.5	575	1.6	B	
		145TC	VM7034T-5	Ⓢ	1,026	L1	15.23	50	84	575	1.7	B	
2	1800	145TC	VEM7037T-5	Ⓢ	1,348	L1	17.48	53	86.5	575	2.2	B	
		145TC	VM7037T-5	Ⓢ	1,110	L1	15.23	51	84	575	2.2	B	
3	1800	182TC	VEM7042T-5	Ⓢ	1,522	L1	18.86	95	89.5	575	3.2	B	
		182TC	VM7042T-5	Ⓢ	1,423	L1	18.86	92	87.5	575	3.3	B	
5	1800	184TC	VEM7044T-5	Ⓢ	1,798	L1	18.80	112	89.5	575	5.2	B	
		184TC	VM7044T-5	Ⓢ	1,733	L1	18.80	109	87.5	575	5.2	B	
7 1/2	1800	213TC	VM7047T-5	Ⓢ	2,006	L1	19.19	171	89.5	575	8.1	B	

(a) See notes on inside back flap.

■ Cast Iron Frame

**CAUTION:** Explosion-proof motors have a tight fit between mating parts to ensure the integrity of the explosion-proof enclosure. This can lead to an accumulation of moisture inside the motors due to condensation. Care should be used when selecting an explosion-proof motor, especially when installed outdoors and on intermittent duty. The Explosion-proof motors are not suitable for use with adjustable speed drives. Inverter Duty Explosion-proof motors must be used. See page 232.

General Information

Premium Efficient Super-E® Motors

Single Phase Motors

General Purpose Industrial Motors

Severe Duty Motors

Washdown Duty Motors

Explosion Proof Motors

Pump Motors

Light Industrial/Commercial Motors

HVAC Motors

**Severe Duty,  
Three Phase,  
1.15 Service Factor**

**3 thru 150 Hp**

**NEMA 182T thru 445T**

**Applications:** Harsh industrial environments requiring protection against corrosion, that contain hazardous gas and vapor, dust fibers, filings or other material that may have explosive properties.

**Features:** 1.15 Service factor, Severe Duty design includes rugged cast iron construction with corrosion resistant epoxy finish. Shaft slingers & inner caps installed on both ends of motor for bearing protection. Includes normally closed thermostats. UL & CSA approved for Division 1, Class 1, Group D, Class 2, Group E, F & G, T3C temperature code.



Hp	RPM	NEMA Frame	Catalog Number	XP <sup>(a)</sup> Cts/Grp	List Price	Mult. Sym.	"C" Dim.	Aprx. Wt. (lb)	Full Load Efficiency	Voltage	Full Load Amps	EISA Status <sup>(a)</sup>	Notes <sup>(a)</sup>
3	1800	182T	<b>EM7542T-I</b>	③	1,389	SD	18.92	90	89.5	230/460	4.2	A	1
	1200	213T	<b>EM7536T-I</b>	③	1,996	SD	20.32	152	89.5	230/460	4.6	A	1
5	3600	184T	<b>EM7572T-I</b>	③	1,827	SD	18.12	100	88.5	230/460	5.9	A	1
	1800	184T	<b>EM7544T-I</b>	③	1,721	SD	18.92	105	89.5	230/460	6.5	A	1
7 1/2	1200	215T	<b>EM7540T-I</b>	③	2,618	SD	22.32	172	89.5	230/460	7.2	A	1
	1800	213T	<b>EM7547T-I</b>	③	2,122	SD	19.57	178	91.7	230/460	10.1	A	1
10	1200	254T	<b>EM7548T-I</b>	③	3,099	SD	25.50	392	91	230/460	10.7	A	1
	3600	215T	<b>EM7574T-I</b>	③	2,583	SD	22.32	190	90.2	230/460	11.1	A	1
15	1800	215T	<b>EM7670T-I</b>	③	2,865	SD	19.90	251	91.7	230/460	12.2	A	1
	1200	256T	<b>EM7565T-I</b>	③	3,726	SD	25.50	370	91	230/460	14.4	A	1
20	1800	254T	<b>EM7554T-I</b>	③	3,436	SD	25.50	370	92.4	230/460	18	A	1
	3600	256T	<b>EM7559T-I</b>	③	3,746	SD	25.50	395	91	230/460	23	A	1
25	1800	256T	<b>EM7556T-I</b>	③	4,302	SD	25.50	393	93	230/460	24	A	1
	1800	284T	<b>EM7558T-I</b>	③	5,400	SD	28.61	542	93.6	230/460	30.5	A	1
30	1800	286T	<b>EM7560T-I</b>	③	6,595	SD	28.61	567	93.6	230/460	36	A	1
	1800	324T	<b>EM7562T-I</b>	③	8,825	SD	32.00	767	94.1	230/460	48	A	1
50	1800	326T	<b>EM7564T-I</b>	③	10,267	SD	32.00	790	94.5	230/460	58	A	1
	1200	365T	<b>EM7585T-I</b>	③	11,127	SD	33.44	950	94.1	230/460	61.7	A	1
60	1800	364T	<b>EM7566T-I</b>	③	11,608	SD	33.44	984	95	230/460	95	A	1
	1800	365T	<b>EM7568T-I</b>	③	12,083	SD	33.44	973	95.4	230/460	95.4	A	1
75	1200	405T	<b>EM7587T-I</b>	③	14,855	SD	38.31	1335	94.5	230/460	86.9	A	1
	1800	405T	<b>EM7590T-I</b>	③	15,497	SD	38.31	1404	95.4	460	112	A	1
100	1200	444T	<b>EM7599T-I</b>	③	18,402	SD	44.62	1860	95	460	115	A	1
	1800	444T	<b>EM7600T-I</b>	③	18,709	SD	44.62	1908	95.4	460	95.8	A	1
150	1800	445T	<b>EM7596T-I</b>	③	20,908	SD	44.62	2048	95.8	460	96.2	A	1

<sup>(a)</sup> See notes on inside back flap.  
 ■ Cast Iron Frame

These motors expel condensation better than standard explosion proof designs. They are recommended for applications where motors may run intermittently, applications where explosion-proof motors are installed outdoors exposed to the environment, and may not be operated for extended periods of time. These explosion-proof motors are not suitable for use with adjustable speed drives. Inverter duty explosion-proof motors must be used. See page 232.

General Information

Premium Efficient Super-E® Motors

Single Phase Motors

General Purpose Industrial Motors

Severe Duty Motors

Washdown Duty Motors

Explosion Proof Motors

Pump Motors

Light Industrial/Commercial Motors

HVAC Motors



**Drill Rig Duty,  
Three Phase,  
1.15 Service Factor**

**1 thru 100 Hp**

**NEMA 56C thru 405T**



**Applications:** On and off shore drill rig service, bulk fuel terminals, and transfer stations. For use in high humidity hazardous-duty applications driving pumps, compressors, blowers, fans, and many other loads that require 1.15 service factor explosion-proof motors. Designed with features for use in the petroleum industry. Includes Class I, Group C & D approval for use in areas where hydrogen sulfide is present.

**Features:** Labyrinth-type recessed shaft slinger for increased bearing protection Explosion-proof breather/drain to prevent build up of condensation. 40°C ambient, Class F insulation. Corrosion resistant finish with two part epoxy coating. UL and CSA approved for Class I, Group C & D. 1.15 service factor. Suitable for 55°C @ 1.0 service factor.

Hp	RPM	NEMA Frame	Catalog Number	XP (a) CIs/Grp	List Price	Mult. Sym.	"C" Dim.	Aprx. Wt. (lb)	Full Load Efficiency	Voltage	Full Load Amps	EISA Status (a)	Notes (a)
<b>Foot Mounted</b>													
1	3600	143T	EM7013T-I	Ⓢ	1,144	SD	15.23	45	85.5	230/460	1.4	A	1, 19
		143T	M7013T-I	Ⓢ	880	SD	14.36	41	82.5	230/460	1.8	D	1, 19
	1800	143T	EM7014T-I	Ⓢ	1,126	SD	15.23	49	85.5	230/460	1.5	A	1, 19
		143T	M7014T-I	Ⓢ	841	SD	14.12	52	82.5	230/460	1.6	D	1, 19
	1200	145T	EM7032T-I	Ⓢ	1,248	SD	17.48	55	82.5	230/460	1.7	A	1, 19
		145T	M7032T-I	Ⓢ	960	SD	15.09	50	80	230/460	1.8	D	1, 19
1 1/2	3600	143T	EM7018T-I	Ⓢ	1,135	SD	14.36	47	84	230/460	1.9	A	1, 19
		143T	M7018T-I	Ⓢ	900	SD	14.12	55	82.5	230/460	2.1	D	1, 19
	1800	145T	EM7034T-I	Ⓢ	1,166	SD	16.10	56	86.5	230/460	2	A	1, 19
		145T	M7034T-I	Ⓢ	843	SD	15.09	57	84	230/460	2.4	D	1, 19
	1200	182T	EM7020T-I	Ⓢ	1,718	SD	17.42	96	87.5	230/460	2.6	A	1, 19
		182T	M7020T-I	Ⓢ	1,322	SD	18.27	99	85.5	230/460	2.8	D	1, 19
2	3600	145T	EM7071T-I	Ⓢ	1,241	SD	16.10	56	85.5	230/460	2.5	A	1, 19
		145T	M7071T-I	Ⓢ	1,000	SD	15.23	62	84	230/460	2.6	D	1, 19
	1800	145T	EM7037T-I	Ⓢ	1,271	SD	16.10	61	86.5	230/460	2.7	A	1, 19
		145T	M7037T-I	Ⓢ	951	SD	15.09	60	84	230/460	3.1	D	1, 19
	1200	184T	EM7041T-I	Ⓢ	1,770	SD	18.92	109	88.5	230/460	3.3	A	1, 19
		184T	M7041T-I	Ⓢ	1,361	SD	18.27	114	86.5	230/460	3.3	D	1, 19
3	3600	182T	EM7026T-I	Ⓢ	1,422	SD	16.05	70	86.5	230/460	3.7	A	1, 19
		182T	M7026T-I	Ⓢ	1,121	SD	16.77	91	85.5	230/460	3.5	D	1, 19
	1800	182T	EM7042T-I	Ⓢ	1,341	SD	18.92	90	89.5	230/460	4.2	A	1, 19
		182T	EM7042T-I-5	Ⓢ	1,341	SD	18.92	90	89.5	575	3.4	A	1, 19
		182T	M7042T-I	Ⓢ	1,033	SD	18.27	105	87.5	230/460	4.1	D	1, 19
		182T	M7042T-I-5	Ⓢ	1,033	SD	18.27	99	87.5	575	3.3	D	1, 19
1200	213T	EM7036T-I	Ⓢ	1,929	SD	20.32	152	89.5	230/460	4.6	A	1, 19	
	213T	M7036T-I	Ⓢ	1,484	SD	19.57	155	87.5	230/460	4.6	D	1, 19	
5	3600	184T	EM7072T-I	Ⓢ	1,766	SD	18.12	100	88.5	230/460	5.9	A	1, 19
		184T	M7072T-I	Ⓢ	1,412	SD	18.27	108	87.5	230/460	5.6	D	1, 19
	1800	184T	EM7044T-I	Ⓢ	1,663	SD	18.92	105	89.5	230/460	6.5	A	1, 19
		184T	EM7044T-I-5	Ⓢ	1,663	SD	18.92	105	89.5	575	5.2	A	1, 19
		184T	M7044T-I	Ⓢ	1,281	SD	18.27	118	87.5	230/460	6.7	D	1, 19
		184T	M7044T-I-5	Ⓢ	1,281	SD	18.27	114	87.5	575	5.2	D	1, 19
1200	215T	EM7040T-I	Ⓢ	2,529	SD	22.32	172	89.5	230/460	7.2	A	1, 19	
	215T	M7040T-I	Ⓢ	1,945	SD	20.32	165	87.5	230/460	7.4	D	1, 19	
7 1/2	3600	213T	EM7045T-I	Ⓢ	2,122	SD	19.57	172	89.5	230/460	8.9	A	1, 19
		213T	M7045T-I	Ⓢ	1,632	SD	19.57	159	88.5	230/460	8.9	D	1, 19
	1800	213T	EM7047T-I	Ⓢ	2,050	SD	19.57	178	91.7	230/460	10.1	A	1, 19
		213T	EM7047T-I-5	Ⓢ	2,050	SD	19.57	178	91.7	575	8.1	A	1, 19
		213T	M7047T-I	Ⓢ	1,579	SD	20.32	177	89.5	230/460	10.2	D	1, 19
		213T	M7047T-I-5	Ⓢ	1,579	SD	20.32	165	89.5	575	8.2	D	1, 19
1200	254T	EM7048T-I	Ⓢ	2,994	SD	25.50	392	91	230/460	10.7	A	1, 19	
	254T	M7048T-I	Ⓢ	2,303	SD	25.50	381	89.5	230/460	11.1	D	1, 19	

(a) See notes on inside back flap.

■ Cast Iron Frame

These motors expel condensation better than standard explosion proof designs. They are recommended for applications where motors may run intermittently, applications where explosion-proof motors are installed outdoors exposed to the environment, and may not be operated for extended periods of time. These explosion-proof motors are not suitable for use with adjustable speed drives. Inverter duty explosion-proof motors must be used. See page 232.

General Information

Premium Efficient Super-E® Motors

Single Phase Motors

General Purpose Industrial Motors

Severe Duty Motors

Washdown Duty Motors

Explosion Proof Motors

Pump Motors

Light Industrial/Commercial Motors

HVAC Motors

Drill Rig Duty, Three Phase, 1.15 Service Factor

Hp	RPM	NEMA Frame	Catalog Number	XP <sup>(a)</sup> Cts/Grp	List Price	Mult. Sym.	"C" Dim.	Aprx. Wt. (lb)	Full Load Efficiency	Voltage	Full Load Amps	EISA Status <sup>(a)</sup>	Notes <sup>(a)</sup>	
10	3600	215T	EM7174T-I	⑤	2,496	SD	19.31	188	90.2	230/460	11.1	A	1, 19	
		215T	M7174T-I	⑤	1,920	SD	20.03	228	89.5	230/460	11.6	D	1, 19	
	1800	215T	EM7170T-I	⑤	2,767	SD	19.90	251	91.7	230/460	12.2	A	1, 19	
		215T	EM7170T-I-5	⑤	2,767	SD	19.90	251	91.7	575	9.8	A	1, 19	
		215T	M7170T-I	⑤	2,131	SD	20.03	225	89.5	230/460	12.7	D	1, 19	
		215T	M7170T-I-5	⑤	2,131	SD	20.03	230	89.5	575	11.4	D	1, 19	
	1200	256T	EM7065T-I	⑤	3,600	SD	25.50	370	91	230/460	14.4	A	1, 19	
		256T	M7065T-I	⑤	2,769	SD	25.50	369	89.5	230/460	14.4	D	1, 19	
	15	3600	254T	EM7053T-I	⑤	2,822	SD	25.50	305	91	230/460	17.2	A	1, 19
			254T	M7053T-I	⑤	2,171	SD	25.50	344	90.2	230/460	17	D	1, 19
1800		254T	EM7054T-I	⑤	3,320	SD	25.50	370	92.4	230/460	18	A	1, 19	
		254T	EM7054T-I-5	⑤	3,320	SD	25.50	370	92.4	575	14.4	A	1, 19	
		254T	M7054T-I	⑤	2,469	SD	25.50	387	91	230/460	18.2	D	1, 19	
		254T	M7054T-I-5	⑤	2,469	SD	25.50	381	91	575	14.9	D	1, 19	
1200		284T	EM7057T-I	⑤	5,803	SD	28.61	450	91.7	230/460	21	A	1, 19	
		284T	M7057T-I	⑤	4,464	SD	28.61	430	90.2	230/460	21	D	1, 19	
20		3600	256T	EM7059T-I	⑤	3,619	SD	25.50	395	91	230/460	23	A	1, 19
			256T	M7059T-I	⑤	2,784	SD	25.50	344	90.2	230/460	23	D	1, 19
	1800	256T	EM7056T-I	⑤	4,156	SD	25.50	393	93	230/460	24	A	1, 19	
		256T	EM7056T-I-5	⑤	4,156	SD	25.50	393	93	575	19.2	A	1, 19	
		256T	M7056T-I	⑤	3,201	SD	25.50	387	91	230/460	25	D	1, 19	
		256T	M7056T-I-5	⑤	3,201	SD	25.50	381	91	575	19.2	D	1, 19	
	1200	286T	EM7079T-I	⑤	5,958	SD	28.61	540	91.7	230/460	26	A	1, 19	
		286T	M7079T-I	⑤	4,583	SD	28.61	436	90.2	230/460	27	D	1, 19	
	25	3600	284TS	EM7063T-I	⑤	4,817	SD	27.24	530	91.7	230/460	28	A	1, 19
			284TS	M7063T-I	⑤	3,705	SD	27.23	445	91	230/460	28.5	D	1, 19
1800		284T	EM7058T-I	⑤	5,218	SD	28.61	542	93.6	230/460	30.5	A	1, 19	
		284T	EM7058T-I-5	⑤	5,218	SD	28.61	542	93.6	575	24.4	A	1, 19	
		284T	M7058T-I	⑤	3,960	SD	28.61	549	92.4	230/460	30.8	D	1, 19	
		284T	M7058T-I-5	⑤	3,960	SD	28.61	415	92.4	575	24.6	D	1, 19	
1200		324T	EM7082T-I	⑤	7,450	SD	32.00	740	93	230/460	32	A	1, 19	
		324T	M7082T-I	⑤	5,731	SD	32.00	685	91.7	230/460	31	D	1, 19	
30		3600	286TS	EM7083T-I	⑤	5,662	SD	27.24	560	91.7	230/460	33	A	1, 19
			286TS	M7083T-I	⑤	4,355	SD	27.23	445	91	230/460	34	D	1, 19
	1800	286T	EM7060T-I	⑤	6,363	SD	28.61	567	93.6	230/460	36	A	1, 19	
		286T	EM7060T-I-5	⑤	6,363	SD	28.61	567	93.6	575	48.4	A	1, 19	
		286T	M7060T-I	⑤	4,735	SD	28.61	584	92.4	230/460	36	D	1, 19	
		286T	M7060T-I-5	⑤	4,735	SD	28.61	583	92.4	575	28.8	D	1, 19	
	1200	326T	EM7080T-I	⑤	8,219	SD	32.00	750	93	230/460	39	A	1, 19	
		326T	M7080T-I	⑤	6,322	SD	32.00	751	91.7	230/460	37	D	1, 19	
	40	3600	324TS	EM7067T-I	⑤	7,552	SD	30.50	740	92.4	230/460	45	A	1, 19
			324TS	M7067T-I	⑤	5,809	SD	30.50	649	91.7	230/460	45	D	1, 19
1800		324T	EM7062T-I	⑤	8,527	SD	32.00	767	94.1	230/460	48	A	1, 19	
		324T	EM7062T-I-5	⑤	8,527	SD	32.00	767	94.1	575	38.4	A	1, 19	
		324T	M7062T-I	⑤	6,468	SD	32.00	765	93	230/460	47	D	1, 19	
		324T	M7062T-I-5	⑤	6,468	SD	32.00	764	93	575	37.6	D	1, 19	
1200		364T	EM7084T-I	⑤	9,526	SD	33.44	910	94.1	230/460	49.4	A	1, 19	
		364T	M7084T-I	⑤	7,328	SD	33.25	889	93	230/460	49	D	1, 19	
50		3600	326TS	EM7081T-I	⑤	9,670	SD	30.50	724	93	230/460	56	A	1, 19
			326TS	M7081T-I	⑤	7,439	SD	30.50	705	92.4	230/460	56	D	1, 19
	1800	326T	EM7064T-I	⑤	9,919	SD	32.00	790	94.5	230/460	58	A	1, 19	
		326T	EM7064T-I-5	⑤	9,919	SD	32.00	790	94.5	575	46.4	A	1, 19	
		326T	M7064T-I	⑤	7,526	SD	32.00	798	93	230/460	60	D	1, 19	
		326T	M7064T-I-5	⑤	7,526	SD	32.00	795	93	575	47	D	1, 19	
	1200	365T	EM7085T-I	⑤	10,751	SD	33.44	950	94.1	230/460	61.7	A	1, 19	
		365T	M7085T-I	⑤	8,270	SD	33.25	765	93	230/460	61	D	1, 19	

(a) See notes on inside back flap.

■ Cast Iron Frame

These motors expel condensation better than standard explosion proof designs. They are recommended for applications such as fuel transfer terminals and fuel truck loading facilities where motors may run intermittently, applications where explosion-proof motors are installed outdoors exposed to the environment, and may not be operated for extended periods of time. These explosion-proof motors are not suitable for use with adjustable speed drives. Inverter duty explosion-proof motors must be used. See page 232.

**Drill Rig Duty, Three Phase, 1.15 Service Factor**

Hp	RPM	NEMA Frame	Catalog Number	XP (a)	List Price	Mult. Sym.	"C" Dim.	Aprx. Wt. (lb)	Full Load Efficiency	Voltage	Full Load Amps	EISA Status (a)	Notes (a)	
60	3600	364TS	EM7310T-I	Ⓢ	10,386	SD	33.44	984	93.6	230/460	65.1	A	1, 19	
		364TS	M7310T-I	Ⓢ	8,593	SD	31.13	945	93	230/460	66	D	1, 19	
	1800	364T	EM7066T-I	Ⓢ	11,215	SD	33.44	965	95	230/460	68	A	1, 19	
		364T	EM7066T-I-5	Ⓢ	11,215	SD	33.44	965	95	575	91.6	A	1, 19	
		364T	M7066T-I	Ⓢ	8,537	SD	33.25	981	93.6	230/460	69	D	1, 19	
		364T	M7066T-I-5	Ⓢ	8,537	SD	33.25	979	93.6	575	56	D	1, 19	
		404T	EM7086T-I	Ⓢ	12,562	SD	38.31	1300	94.5	230/460	69	A	1, 19	
		404T	M7086T-I	Ⓢ	9,868	SD	38.75	1325	93.6	230/460	70	D	1, 19	
	75	3600	364TS	M7313T-I	Ⓢ	9,958	SD	31.13	985	93	230/460	83	D	1, 19
			365TS	EM7313T-I	Ⓢ	11,687	SD	33.44	964	93.6	230/460	80.7	A	1, 19
1800		365T	EM7068T-I	Ⓢ	11,675	SD	33.44	1065	95.4	230/460	86	A	1, 19	
		365T	EM7068T-I-5	Ⓢ	11,675	SD	33.44	1065	95.4	575	68.9	A	1, 19	
		365T	M7068T-I	Ⓢ	10,500	SD	33.25	1044	94.1	230/460	85	D	1, 19	
		365T	M7068T-I-5	Ⓢ	10,500	SD	33.25	1031	94.1	575	69	D	1, 19	
		405T	EM7087T-I	Ⓢ	14,352	SD	38.31	1335	94.5	230/460	86.9	A	1, 19	
		405T	M7087T-I	Ⓢ	11,224	SD	38.75	1338	93.6	230/460	88	D	1, 19	
100		1800	405T	EM7090T-I	Ⓢ	14,973	SD	38.31	1335	95.4	230/460	112	A	1, 19
			405T	EM7090T-I-5	Ⓢ	14,973	SD	38.31	1335	95.4	575	90	A	1, 19
	405T		M7090T-I	Ⓢ	12,693	SD	38.75	1367	94.5	230/460	109	D	1, 19	
	405T		M7090T-I-5	Ⓢ	12,693	SD	38.75	1372	94.5	575	87	D	1, 19	

**C-Face, Foot Mounted**

1/2	1800	56C	CM7006-I	Ⓢ	827	SD	13.14	53	75.5	230/460	0.8	C	1, 19
3/4	1800	56C	CM7010-I	Ⓢ	843	SD	14.31	49	78.5	230/460	1.4	C	1, 19
1	1800	56C	CM7014-I	Ⓢ	899	SD	14.31	51	82.5	230/460	1.6	C	1, 19
1 1/2	1800	145TC	CEM7034T-I	Ⓢ	1,378	SD	16.10	59	86.5	230/460	0	A	1, 19
		145TC	CM7034T-I	Ⓢ	1,056	SD	15.23	58	84	230/460	2.4	D	1, 19
2	1800	145TC	CEM7037T-I	Ⓢ	1,461	SD	16.10	65	86.5	230/460	2.7	A	1, 19
		145TC	CM7037T-I	Ⓢ	1,140	SD	15.23	60	84	230/460	3.1	D	1, 19
3	1800	182TC	CEM7042T-I	Ⓢ	1,645	SD	20.36	85	89.5	230/460	4.2	A	1, 19
		182TC	CM7042T-I	Ⓢ	1,336	SD	19.59	111	87.5	230/460	4.1	D	1, 19
5	1800	184TC	CEM7044T-I	Ⓢ	1,989	SD	18.80	96	89.5	230/460	6.5	A	1, 19
		184TC	CM7044T-I	Ⓢ	1,607	SD	19.59	122	87.5	230/460	6.7	D	1, 19
7 1/2	1800	213TC	CEM7047T-I	Ⓢ	2,333	SD	20.36	175	91.7	230/460	9.4	A	1, 19
		213TC	CM7047T-I	Ⓢ	1,862	SD	21.07	177	89.5	230/460	10.2	D	1, 19
10	1800	215TC	CEM7170T-I	Ⓢ	2,838	SD	20.65	252	91.7	230/460	12.2	A	1, 19
		215TC	CM7170T-I	Ⓢ	2,202	SD	20.78	232	89.5	230/460	14.2	D	1, 19
15	1800	254TC	CEM7054T-I	Ⓢ	4,694	SD	26.00	380	92.4	230/460	18	A	1, 19
		254TC	CM7054T-I	Ⓢ	3,843	SD	26.00	333	91	230/460	18.2	D	1, 19
20	1800	256TC	CEM7056T-I	Ⓢ	5,564	SD	26.00	405	93	230/460	24	A	1, 19
		256TC	CM7056T-I	Ⓢ	4,464	SD	26.00	356	91	230/460	25	D	1, 19
25	1800	284TC	CEM7058T-I	Ⓢ	6,813	SD	28.61	555	93.6	230/460	30.5	A	1, 19
		284TC	CM7058T-I	Ⓢ	5,555	SD	28.61	554	92.4	230/460	30.8	D	1, 19
30	1800	286TC	CEM7060T-I	Ⓢ	7,907	SD	28.61	574	93.6	230/460	36	A	1, 19
		286TC	CM7060T-I	Ⓢ	6,279	SD	28.61	584	92.4	230/460	36	D	1, 19
40	1800	324TC	CEM7062T-I	Ⓢ	10,547	SD	32.00	775	94.1	230/460	48	A	1, 19
		324TC	CM7062T-I	Ⓢ	8,488	SD	32.00	808	93	230/460	47	D	1, 19
50	1800	326TC	CEM7064T-I	Ⓢ	11,993	SD	32.00	795	94.5	230/460	57	A	1, 19
		326TC	CM7064T-I	Ⓢ	9,600	SD	32.00	779	93	230/460	60	D	1, 19

(a) See notes on inside back flap.

■ Cast Iron Frame

These motors expel condensation better than standard explosion proof designs. They are recommended for applications such as fuel transfer terminals and fuel truck loading facilities where motors may run intermittently, applications where explosion-proof motors are installed outdoors exposed to the environment, and may not be operated for extended periods of time. These explosion-proof motors are not suitable for use with adjustable speed drives. Inverter duty explosion-proof motors must be used. See page 232.

General Information

Premium Efficient Super-E® Motors

Single Phase Motors

General Purpose Industrial Motors

Severe Duty Motors

Washdown Duty Motors

Explosion Proof Motors

Pump Motors

Light Industrial/Commercial Motors

HVAC Motors

**Drill Rig Duty, Three Phase, 1.15 Service Factor**

Hp	RPM	NEMA Frame	Catalog Number	XP <sup>(a)</sup> CIs/Grp	List Price	Mult. Sym.	"C" Dim.	Aprx. Wt. (lb)	Full Load Efficiency	Voltage	Full Load Amps	EISA Status <sup>(a)</sup>	Notes <sup>(a)</sup>
<b>C-Face, Footless</b>													
1/2	1800	56C	<b>VM7006-I</b>	⑤	756	SD	13.14	53	75.5	230/460	0.8	C	1, 19
3/4	1800	56C	<b>VM7010-I</b>	⑤	840	SD	14.31	49	78.5	230/460	1.4	C	1, 19
1	1800	56C	<b>VM7014-I</b>	⑤	882	SD	14.31	51	82.5	230/460	1.6	C	1, 19
		143TC	<b>VM7014T-I</b>	⑤	952	SD	15.23	50	82.5	230/460	1.6	B	1, 19
1 1/2	1800	56C	<b>VM7034-I</b>	⑤	950	SD	15.17	55	84	230/460	2.4	C	1, 19
		145TC	<b>VM7034T-I</b>	⑤	1,026	SD	15.23	58	84	230/460	2.4	B	1, 19
2	1800	145TC	<b>VM7037T-I</b>	⑤	1,110	SD	15.23	60	84	230/460	3.1	B	1, 19
3	1800	182TC	<b>VM7042T-I</b>	⑤	1,423	SD	19.91	109	87.5	230/460	4.1	B	1, 19
5	1800	184TC	<b>VM7044T-I</b>	⑤	1,733	SD	19.91	122	87.5	230/460	6.7	B	1, 19
7 1/2	1800	213TC	<b>VM7047T-I</b>	⑤	2,006	SD	21.06	165	89.5	230/460	10.2	B	1, 19
10	1800	215TC	<b>VM7170T-I</b>	⑤	2,433	SD	20.77	230	89.5	230/460	14.2	B	1, 19

<sup>(a)</sup> See notes on inside back flap.

■ Cast Iron Frame

These motors expel condensation better than standard explosion proof designs. They are recommended for applications such as fuel transfer terminals and fuel truck loading facilities where motors may run intermittently, applications where explosion-proof motors are installed outdoors exposed to the environment, and may not be operated for extended periods of time. These explosion-proof motors are not suitable for use with adjustable speed drives. Inverter duty explosion-proof motors must be used. See page 232.

**Drill Rig Duty, Single Phase, C-Face, 1.15 Service Factor, Foot Mounted**

**1/3 thru 1 Hp**

**NEMA 56C**

**Applications:** Pumps, blowers, valves and other applications in petro-chemical industry needing Severe Duty, Division I, Class I, Group C & D approval.

**Features:** Corrosion resistant finish, breather drain, labyrinth seal on output shaft. UL approved conduit box, 1.15 service factor, UL and CSA approved for Class I, Group C & D.



Hp	RPM	NEMA Frame	Catalog Number	XP <sup>(a)</sup> CIs/Grp	List Price	Mult. Sym.	"C" Dim.	Aprx. Wt. (lb)	Full Load Efficiency	Voltage	Full Load Amps	EISA Status <sup>(a)</sup>	Notes <sup>(a)</sup>
1/3	1800	56C	<b>CL5001-I</b>	⑤	803	K	14.31	46	55	115/208-230	3.3	C	
1/2	1800	56C	<b>CL5004-I</b>	⑤	804	K	14.31	52	64	115/208-230	4	C	
3/4	1800	56C	<b>CL5007-I</b>	⑤	858	K	15.17	61	68	115/230	5.3	C	
1	1800	56C	<b>CL5023-I</b>	⑤	925	K	16.05	62	68	115/230	6.5	C	

<sup>(a)</sup> See notes on inside back flap.

These motors expel condensation better than standard explosion proof designs. They are recommended for applications such as fuel transfer terminals and fuel truck loading facilities where motors may run intermittently, applications where explosion-proof motors are installed outdoors exposed to the environment, and may not be operated for extended periods of time. These explosion-proof motors are not suitable for use with adjustable speed drives. Inverter duty explosion-proof motors must be used. See page 232.

General Information

Premium Efficient Super-E® Motors

Single Phase Motors

General Purpose Industrial Motors

Severe Duty Motors

Washdown Duty Motors

Explosion Proof Motors

Pump Motors

Light Industrial/Commercial Motors

HVAC Motors

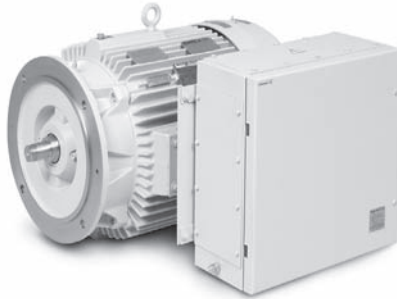
**ATEX Directive  
94/9/EC**



**1 thru 500 Hp  
.75 thru 373 kW**



**NEMA 180T thru 449T  
IEC 112M thru 280H**



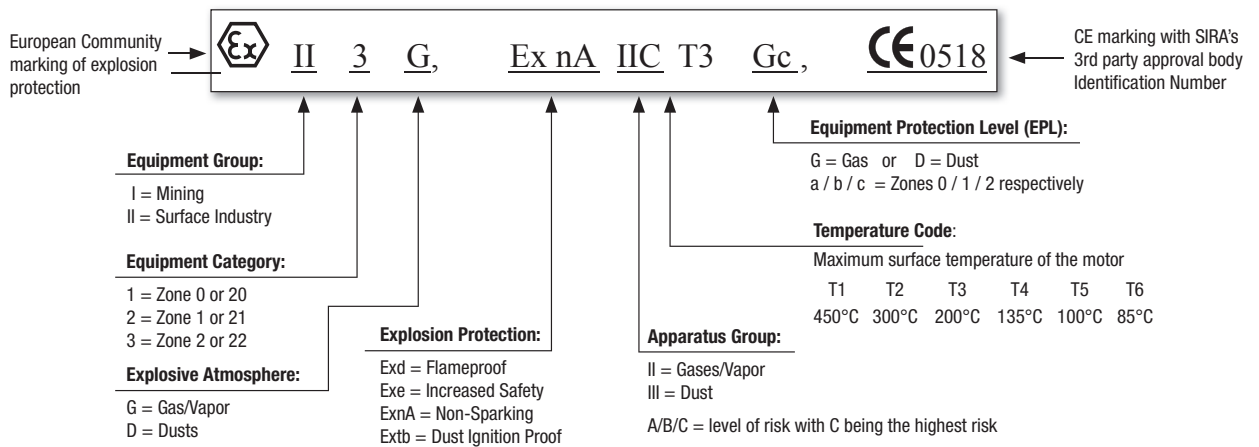
Dual Protection ATEX Motor with Increased Safety conduit box, 360T Frame, flange mounted.

**Applications:** Baldor offers a wide variety of Custom Explosion Proof motors for use outside the US market where other than UL certification is required. Baldor's ATEX motor certification capabilities meet the Atmospheric Explosive directive (ATEX 94/9/EC) required on all equipment used in hazardous locations within the European market. Baldor uses SIRA as our 3rd party approval body for ATEX certification. Baldor ATEX motors also carry the IECEx certification to satisfy the broader international market.

**Features:** Rugged Cast Iron frame, endplates, conduit box and fan cover, Super-E NEMA Premium® designs (IEC 60034-30 IE3), 1.15 Service Factor, Usable on Sine wave and Inverter power, CE compliant.

**ATEX APPROVED MOTORS**

It is important to have a good understanding of ATEX terminology to be able to determine which Baldor ATEX certified motor is right for your application. This terminology is different from those used by UL and should not be mixed with UL terms in specifications or quotes. Specific ATEX markings are required to certify that a motor may be used in specific potentially explosive environment. Typical ATEX markings include:



**BALDOR ATEX CAPABILITIES MATRIX - Group II (Surface Industry Applications)**

Environment	Explosion Protection	Max. HP (kW)	Frame NEMA (IEC)	Max. Voltage	Apparatus Group	Temp Code	Ambient Temp. (°C)
Explosive Gas Environments (G)	Exd (Flameproof) Zone 1	500HP (373kW)	180T – 449T (112M-280M)	1,000 volts	IIA & IIB	T3, T4 & T5	-20 to +40 (+65 Max)
	ExnA (Non-Sparking) Zone 2	450HP (335kW)	180T – 4412T (112M-280H)	2,300 volts	IIA, IIB & IIC	T2, T3 & T4	-20 to +40 (-30 Min)
Explosive Dust Environments (D)	Extd (Dust Ignition Proof) Zone 21	500HP (373kW)	180T – 449T (112M-280M)	1,000 volts	IIIA, IIIB & IIIC	T3, T4 & T5	-20 to +40 (+65 Max)
	Baldor motors marked "Extb" for Zone 21 may be additionally labeled "suitable for Zone 22 (EPL Dc)"						
Dual Protection Gas & Dust Environments (G/D)	Baldor ATEX motors can be dual labeled for "Exd" (Flameproof) and "Extd" (Dust Ignition Proof), Zones 1, 21 to meet the most hazardous explosive atmosphere applications.						
Increased Safety	"Exd" motors can be supplied with an Increased Safety conduit box separately labeled "Exe"						

Baldor takes pride in tailoring our custom motors to fit our customer's specific requirements. For a full range of available options, pricing and availability contact your local Baldor Sales Representative.

General Information

Premium Efficient Super-E® Motors

Single Phase Motors

General Purpose Industrial Motors

Severe Duty Motors

Washdown Duty Motors

Explosion Proof Motors

Pump Motors

Light Industrial/Commercial Motors

HVAC Motors



**BALDOR • RELIANCE**

**Jet Pump,  
Single Phase,  
TEFC**

**1/3 thru 2 Hp**

**NEMA 56J**

**Applications:** Residential and industrial pumps, swimming pool pumps, etc.

**Features:** Diecast aluminum end plates with machined steel bearing seat insert.



Hp	RPM	NEMA Frame	Catalog Number	List Price	Mult. Sym.	"C" Dim.	Aprx. Wt. (lb)	Full Load Efficiency	Voltage	Full Load Amps	EISA Status <sup>(a)</sup>	Notes <sup>(a)</sup>
<b>Foot Mounted</b>												
1/3	1800	56J	<b>CJL3501A</b>	373	K	11.84	23	60	115/230	3	C	30
1/2	1800	56J	<b>CJL3504A</b>	439	K	12.47	28	68	115/230	3.7	C	30
3/4	1800	56J	<b>CJL3507A</b>	535	K	12.97	35	74	115/230	4.1	C	30
<b>Footless</b>												
1/3	3600	56J	<b>JL3405A</b>	276	K	9.29	23	60	115/230	3	C	
	1800	56J	<b>JL3501A</b>	344	K	9.29	21	60	115/230	3	C	30
1/2	3600	56J	<b>JL3503A</b>	316	K	10.29	25	62	115/230	3.7	C	30
	1800	56J	<b>JL3504A</b>	400	K	10.29	26	68	115/230	3.7	C	30
3/4	3600	56J	<b>JL3506A</b>	376	K	10.29	28	66	115/230	5.4	C	30
	1800	56J	<b>JL3507A</b>	475	K	12.97	32	74	115/230	4.1	C	30
1	3600	56J	<b>JL3509A</b>	460	K	13.74	41	66	115/230	6	C	
	1800	56J	<b>JL3510A</b>	545	K	13.74	42	67	115/230	6.2	C	2
1 1/2	3600	56J	<b>JL3513A</b>	545	K	13.74	44	70	115/230	8.3	C	2, 30
	1800	56J	<b>JL3514A</b>	598	K	14.62	49	75.5	115/230	8	C	2
2	3600	56J	<b>JL3515A</b>	641	K	14.62	54	74	115/230	11.5	C	2
	1800	56J	<b>JL3516A</b>	681	K	14.62	50	78	115/230	8.6	C	2, 20

<sup>(a)</sup> See notes on inside back flap.

All threaded shaft single phase motors are connected single rotation - CCW when viewing drive end.

**ALL ABOVE RATINGS CAN BE UL 1081 COMPLIANT THROUGH MOD EXPRESS. SEE THE MOD EXPRESS PROGRAM SECTION IN THIS CATALOG FOR MORE DETAILS.**

General Information

Premium Efficient Super-E® Motors

Single Phase Motors

General Purpose Industrial Motors

Severe Duty Motors

Washdown Duty Motors

Explosion Proof Motors

Pump Motors

Light Industrial/Commercial Motors

HVAC Motors

**Jet Pump,  
Single Phase,  
ODP**

**1/3 thru 3 Hp**

**56J and 56C**

**Applications:** Residential and industrial pumps, swimming pool pumps, etc.



**Features:** Diecast aluminum end plates with machined steel bearing seat insert.

Hp	RPM	NEMA Frame	Catalog Number	List Price	Mult. Sym.	"C" Dim.	Aprx. Wt. (lb)	Full Load Efficiency	Voltage	Full Load Amps	EISA Status (a)	Notes (a)
<b>56J, Foot Mounted</b>												
1/3	3600	56J	<b>CJL1205A</b>	271	K	11.91	24	58	115/230	3.1	C	
	1800	56J	<b>CJL1301A</b>	407	K	11.89	23	60	115/230	3	C	30
1/2	3600	56J	<b>CJL1303A</b>	282	K	12.51	27	66	115/230	3.7		
	1800	56J	<b>CJL1304A</b>	460	K	12.14	26	62	115/230	4.2	C	30
3/4	3600	56J	<b>CJL1306A</b>	359	K	13.39	29	69	115/230	5.5		
	1800	56J	<b>CJL1307A</b>	528	K	12.25	34	63	115/230	5.4	C	
1	3600	56J	<b>CJL1309A</b>	368	K	13.89	33	65	115/230	7	C	30
1 1/2	3600	56J	<b>CJL1313A</b>	511	K	13.89	37	78.5	115/230	6.5	C	
2	3600	56J	<b>CJL1317A</b>	684	K	13.25	44	70	115/230	13	C	30
<b>56J, Footless</b>												
1/3	3600	56J	<b>JL1205A</b>	238	K	11.89	27	58	115/230	3.1	C	
	1800	56J	<b>JL1301A</b>	274	K	11.89	23	60	115/230	3	C	30
1/2	3600	56J	<b>JL1303A</b>	268	K	12.51	26	66	115/230	3.7	C	
	1800	56J	<b>JL1304A</b>	322	K	12.14	25	62	115/230	4.2	C	30
3/4	3600	56J	<b>JL1306A</b>	352	K	13.39	28	69	115/230	5.5	C	
	1800	56J	<b>JL1307A</b>	407	K	13.89	33	68	115/230	5.1	C	30
1	3600	56J	<b>JL1309A</b>	365	K	13.89	33	65	115/230	7	C	30
1 1/2	3600	56J	<b>JL1313A</b>	509	K	13.89	37	78.5	115/230	6.5	C	
2	3600	56J	<b>JL1317A</b>	628	K	13.25	43	70	115/230	13	C	30
3	3600	56J	<b>JL1323A</b>	645	K	14.13	52	82.5	230	13	C	30
<b>56C, Footless</b>												
1/3	3600	56C	<b>VL1205A</b>	258	K	11.32	27	54	115/230	3.5	C	
	1800	56C	<b>VL1301A</b>	310	K	11.32	26	60	115/230	3	C	30
1/2	3600	56C	<b>VL1303A</b>	297	K	12.00	26	66	115/230	3.7	C	
	1800	56C	<b>VL1304A</b>	370	K	11.57	25	62	115/230	4.2	C	30
3/4	3600	56C	<b>VL1306A</b>	353	K	12.88	30	69	115/230	5.5	C	
	1800	56C	<b>VL1307A</b>	483	K	11.75	34	63	115/230	5.4	C	
1	3600	56C	<b>VL1309A</b>	373	K	13.40	32	65	115/230	7	C	30
	1800	56C	<b>VL1318A</b>	512	K	12.75	41	67	115/230	6.2	C	2
1 1/2	3600	56C	<b>VL1313A</b>	509	K	13.01	35	78.5	115/230	6.5	C	
2	3600	56C	<b>VL1317A</b>	659	K	12.75	43	70	115/230	13	C	30
3	3600	56C	<b>VL1323A</b>	681	K	13.63	49	82.5	230	13	C	30

(a) See notes on inside back flap.

All threaded shaft single phase motors are connected single rotation - CCW when viewing drive end.

**ALL ABOVE RATINGS CAN BE UL 1081 COMPLIANT THROUGH MOD EXPRESS. SEE THE MOD EXPRESS PROGRAM SECTION IN THIS CATALOG FOR MORE DETAILS.**

General Information

Premium Efficient Super-E® Motors

Single Phase Motors

General Purpose Industrial Motors

Severe Duty Motors

Washdown Duty Motors

Explosion Proof Motors

Pump Motors

Light Industrial/Commercial Motors

HVAC Motors

**BALDOR • RELIANCE**

**Jet Pump,  
Three Phase,  
TEFC, C-Face**

**1/3 thru 3 Hp**

**NEMA 56J**

**Applications:** Residential and industrial pumps, swimming pool pumps, etc.



**Features:** Diecast aluminum end plates with machined steel bearing seat insert.

Hp	RPM	NEMA Frame	Catalog Number	List Price	Mult. Sym.	"C" Dim.	Aprx. Wt. (lb)	Full Load Efficiency	Voltage	Full Load Amps	EISA Status (a)	Notes (a)
<b>Stainless Steel Threaded Shaft, Footless</b>												
1/3	3600	56J	<b>JM3457</b>	309	K	11.84	19	62	230/460	0.8	C	30
	1800	56J	<b>JM3458</b>	335	K	11.84	21	68	230/460	0.8	C	30
1/2	3600	56J	<b>JM3460</b>	335	K	11.84	21	70	230/460	1.2	C	30
	1800	56J	<b>JM3461</b>	395	K	11.84	22	74	230/460	1	C	30
3/4	3600	56J	<b>JM3463</b>	366	K	11.84	23	74	208-230/460	1.5	C	
	1800	56J	<b>JM3542</b>	426	K	11.84	26	75.5	208-230/460	1.5	C	
1	3600	56J	<b>JM3545</b>	437	K	11.84	26	77	230/460	1.6	C	30
	1800	56J	<b>JM3546</b>	453	K	13.34	31	78.5	208-230/460	1.7	C	
1 1/2	3600	56J	<b>JM3550</b>	453	K	12.47	31	80	230/460	2.3	C	30
	1800	56J	<b>JM3554</b>	498	K	12.74	32	78.5	208-230/460	2.5	C	
2	3600	56J	<b>JM3555</b>	574	K	13.74	40	80	230/460	2.7	C	30
	1800	56J	<b>JM3558</b>	555	K	13.74	41	82.5	208-230/460	3.1	C	
3	3600	56J	<b>JM3559</b>	623	K	13.74	44	82.5	208-230/460	3.8	C	1
<b>Stainless Steel Threaded Shaft, Foot Mounted</b>												
1/2	1800	56J	<b>CJM3538</b>	418	K	11.84	23	74	230/460	1	C	30
3/4	1800	56J	<b>CJM3542</b>	443	K	11.84	26	75.5	208-230/460	1.5	C	

(a) See notes on inside back flap.

**Square  
Flange Pump,  
ODP**

**1/2 thru 2 Hp**

**NEMA 56Y thru 56YZ**

**Applications:** Pump applications where square flange mounting plate is required, such as swimming pools.



**Features:** Ball bearings, stainless steel shaft extension, long life windings.

Hp	RPM	NEMA Frame	Catalog Number	List Price	Mult. Sym.	"C" Dim.	Aprx. Wt. (lb)	Full Load Efficiency	Voltage	Full Load Amps	EISA Status (a)	Notes (a)
<b>Single Phase</b>												
1/2	3600	56Y	<b>JSL325A</b>	331	K	11.41	24	72	115/230	3.3	C	30
3/4	3600	56Y	<b>JSL425A</b>	351	K	11.91	26	64	115/230	5.1	C	30
1	3600	56Y	<b>JSL525A</b>	375	K	12.66	29	68	115/230	6.3	C	30
1 1/2	3600	56YZ	<b>JSL625A</b>	511	K	14.44	41	72	115/230	9	C	30
2	3600	56YZ	<b>JSL725A</b>	513	K	14.44	47	74	115/230	11	C	30
<b>Three Phase</b>												
1/2	3600	56YZ	<b>JSM3107</b>	298	K	11.40	21	70	230/460	1.2	C	30
3/4	3600	56YZ	<b>JSM3111</b>	352	K	11.40	23	74	208-230/460	1.5	C	
1	3600	56YZ	<b>JSM3115</b>	390	K	12.02	28	77	230/460	1.6	C	30
1 1/2	3600	56YZ	<b>JSM3120</b>	465	K	12.77	30	81.5	230/460	2	C	30
2	3600	56YZ	<b>JSM3155</b>	551	K	13.40	34	82.5	230/460	2.7	C	30

(a) See notes on inside back flap.

**Jet Pump,  
Three Phase,  
ODP, C-Face**

**1/3 thru 3 Hp**

**NEMA 56J**

**Applications:** Residential and industrial pumps, swimming pool pumps, etc.



**Features:** Diecast aluminum end plates with machined steel bearing seat insert.

Hp	RPM	NEMA Frame	Catalog Number	List Price	Mult. Sym.	"C" Dim.	Aprx. Wt. (lb)	Full Load Efficiency	Voltage	Full Load Amps	EISA Status (a)	Notes (a)
<b>Stainless Steel Threaded Shaft, Footless</b>												
1/3	3600	56J	JM225	227	K	11.58	17	64	230	1.6	C	30, 80
		56J	JM3006	282	K	11.72	19	62	230/460	0.8	C	30
	1800	56J	JM245	239	K	11.58	26	64	230	1.6	C	30, 80
1/2	3600	56J	JM3107	298	K	11.72	22	70	230/460	1.2	C	30
		56J	JM325	248	K	11.58	22	70	230	2	C	30, 80
	1800	56J	JM3108	356	K	11.85	22	74	230/460	1	C	30
3/4	3600	56J	JM3111	353	K	11.72	23	74	208-230/460	1.5	C	
		56J	JM425	259	K	11.58	23	72	230	3	C	30, 80
	1800	56J	JM3112	393	K	12.34	26	75.5	208-230/460	1.5	C	
1	3600	56J	JM3115	393	K	12.34	26	77	230/460	1.6	C	30
		56J	JM525	295	K	11.83	27	80	230	3	C	30, 80
	1800	56J	JM3116	431	K	13.22	29	78.5	208-230/460	1.7	C	1
1 1/2	3600	56J	JM3120	469	K	13.22	30	74	230/460	2.2	C	30
		56J	JM625	316	K	12.84	25	78.5	230/460	3.6	C	30, 80
	1800	56J	JM3154	513	K	13.72	33	77	208-230/460	2.8	C	
2	3600	56J	JM3155	557	K	13.72	34	82.5	230/460	2.7	C	30
3	3600	56J	JM3158	661	K	13.74	41	80	208-230/460	4	C	
<b>Stainless Steel Threaded Shaft, Foot Mounted</b>												
1/3	3600	56J	CJM225	229	K	11.48	17	64	230	1.6	C	30, 80
		56J	CJM3104	337	K	11.85	22	68	230/460	0.8	C	30
1/2	3600	56J	CJM3107	309	K	11.72	23	70	230/460	1.2	C	30
		56J	CJM3108	377	K	11.72	24	74	230/460	1	C	30
	1800	56J	CJM345	311	K	11.58	21	72	230/460	1	C	30, 80
3/4	3600	56J	CJM3111	353	K	11.72	24	74	208-230/460	1.5	C	
		56J	CJM425	274	K	11.58	22	72	230	3	C	30, 80
	1800	56J	CJM3112	404	K	12.34	27	75.5	208-230/460	1.5	C	
1	3600	56J	CJM3115	395	K	12.34	28	77	230/460	1.6	C	30
1 1/2	3600	56J	CJM3120	481	K	13.22	31	81.5	230/460	2	C	30
2	3600	56J	CJM3155	572	K	13.72	36	82.5	230/460	2.7	C	30
3	3600	56J	CJM3158	677	K	13.74	42	80	208-230/460	4	C	

(a) See notes on inside back flap.

All threaded shaft single phase motors are connected single rotation - CCW when viewing drive end.

**ALL ABOVE RATINGS CAN BE UL 1081 COMPLIANT THROUGH MOD EXPRESS. SEE THE MOD EXPRESS PROGRAM SECTION IN THIS CATALOG FOR MORE DETAILS.**

General Information

Premium Efficient Super-E® Motors

Single Phase Motors

General Purpose Industrial Motors

Severe Duty Motors

Washdown Duty Motors

Explosion Proof Motors

Pump Motors

Light Industrial/Commercial Motors

HVAC Motors

**BALDOR • RELIANCE**

**Explosion-Proof Jet Pump, Footless**

**1/2 thru 2 Hp**

**NEMA 56J**

**Applications:** Pumping applications that require a hazardous location motor.



**Features:** Explosion proof per UL and CSA, Class I, Group D and Class II, Group F & G. UL approved conduit box mounted on motor. Epoxy paint. 1.00 Service Factor.

Hp	RPM	NEMA Frame	Catalog Number	XP <sup>(a)</sup> CIs/Grp	List Price	Mult. Sym.	"C" Dim.	Aprx. Wt. (lb)	Full Load Efficiency	Voltage	Full Load Amps	EISA Status <sup>(a)</sup>	Notes <sup>(a)</sup>
<b>Single Phase</b>													
1/2	3600	56J	JL5003A	⑦	609	K	14.79	37	55	115/230	3.9	C	
3/4	3600	56J	JL5006A	⑦	681	K	15.68	40	62	115/230	4.9	C	
1	3600	56J	JL5009A	⑦	730	K	15.68	48	66	115/230	6	C	
1 1/2	3600	56J	JL5030	⑦	939	K	15.68	52	70	115/208-230	7.5	C	
2	3600	56J	JL5031	⑦	1,020	K	16.56	59	74	115/208-230	11.5	C	
<b>Three Phase</b>													
1	3600	56J	JM7013	⑦	809	K	13.72	30	75.5	230/460	1.8	C	
1 1/2	3600	56J	JM7018	⑦	825	K	14.79	40	75.5	208-230/460	2.3	C	
2	3600	56J	JM7071	⑦	864	K	15.67	48	78.5	208-230/460	2.7	C	

<sup>(a)</sup> See notes on inside back flap.

**Close-Coupled Pump, Three Phase, Explosion Proof**

**3 thru 10 Hp**

**NEMA 145JM thru 215JM**

**Applications:** Applications for circulating and transferring fluids in hazardous locations.



**Features:** C-face with base. Corrosion resistant epoxy finish, rotors corrosion treated and precision balanced to insure smooth operation. 1.00 Service Factor. Class I, Group D only, T2C.

Hp	RPM	NEMA Frame	Catalog Number	XP <sup>(a)</sup> CIs/Grp	List Price	Mult. Sym.	"C" Dim.	Aprx. Wt. (lb)	Full Load Efficiency	Voltage	Full Load Amps	EISA Status <sup>(a)</sup>	Notes <sup>(a)</sup>
3	3600	145JM	JMM7075T	①	1,292	L1	17.80	65	85.5	208-230/460	3.8	B	
		182JM	JMM7026T	①	1,292	L1	19.00	84	85.5	208-230/460	3.9	B	
5	3600	184JM	JMM7072T	①	1,746	L1	20.38	101	87.5	230/460	6	B	
		184JM	JMM7073T	①	1,963	L1	21.88	118	88.5	230/460	8.6	B	
7 1/2	3600	213JM	JMM7045T	①	2,301	L1	20.05	146	88.5	230/460	9.3	B	
		215JM	JMM7074T	①	2,606	L1	21.19	171	89.5	230/460	12	B	

<sup>(a)</sup> See notes on inside back flap.

**CAUTION:** Explosion-proof motors have a tight fit between mating parts to ensure the integrity of the explosion-proof enclosure. This can lead to an accumulation of moisture inside the motors due to condensation. Care should be used when selecting an explosion-proof motor, especially when installed outdoors and on intermittent duty. The Explosion-proof motors are not suitable for use with adjustable speed drives. Inverter Duty Explosion-proof motors must be used. See page 232.

General Information

Premium Efficient Super-E® Motors

Single Phase Motors

General Purpose Industrial Motors

Severe Duty Motors

Washdown Duty Motors

Explosion Proof Motors

Pump Motors

Light Industrial/Commercial Motors

HVAC Motors



**Close-Coupled Pump, 3 thru 10 Hp  
Single Phase,  
TEFC and ODP**

**NEMA 182 thru 215 (JM, JP, TCZ)**

**Applications:** Pumping systems where only single phase power is available.



**Features:** Heavy-gauge steel frame construction, corrosion resistant finish, ball bearings, suitable for mounting in any position.

Hp	RPM	NEMA Frame	Catalog Number	List Price	Mult. Sym.	"C" Dim.	Aprx. Wt. (lb)	Full Load Efficiency	Voltage	Full Load Amps	EISA Status (a)	Notes (a)
<b>Totally Enclosed Fan Cooled, Mechanical Seal, Type JM</b>												
3	3600	182JM	JML3606T	912	L1	18.06	78	76	115/230	14.5	C	1, 30
5	3600	184JM	JML3608T	1,216	L1	19.55	91	83	230	19.5	C	2, 20
<b>Open Drip Proof, Mechanical Seal, Type JM</b>												
3	3600	182JM	JML1406T	870	L1	16.50	70	78	115/208-230	14	C	
	1800	184JM	JML1408T	998	L1	16.50	77	78	115/230	16	C	30
5	3600	184JM	JML1409T	1,229	L1	16.50	78	80	230	21.5	C	1, 30
	1800	213JM	JML1508T	1,416	L1	18.19	118	77	230	27	C	
7 1/2	3600	213JM	JML1509T	1,763	L1	18.19	116	81	230	37	C	30
	1800	215JM	JML1510T	1,865	L1	19.31	137	85.5	230	31	C	30
10	3600	215JM	JML1511T	2,168	L1	19.31	139	83	230	46	C	1, 30
	1800	215JM	JML1512T	2,308	L1	20.95	155	84	230	41	C	1, 30
<b>Open Drip Proof, Packed Pump, Type JP</b>												
3	3600	182JP	JPL1406T	870	L1	19.57	71	78	115/230	14	C	30
	1800	182JP	JPL1408T	998	L1	19.57	81	78	115/230	16	C	30
5	3600	184JP	JPL1409T	1,229	L1	19.57	88	80	230	21.5	C	1, 30
	1800	213JP	JPL1508T	1,416	L1	22.07	124	77	230	27	C	
7 1/2	3600	213JP	JPL1509T	1,763	L1	22.07	118	81	230	37	C	30
	1800	215JP	JPL1510T	1,865	L1	23.19	142	85.5	230	31	C	30
10	3600	215JP	JPL1511T	2,168	L1	23.19	145	83	230	46	C	1, 30
	1800	215JP	JPL1512T	2,308	L1	20.95	157	84	230	41	C	1, 30
<b>Open Drip Proof, West Coast Fit, Type TCZ</b>												
3	3600	182TCZ	WCL1406T	876	L1	12.38	78	78	115/230	14	C	30
	1800	184TCZ	WCL1408T	1,005	L1	12.38	88	78	115/230	16	C	30
5	3600	184TCZ	WCL1409T	1,240	L1	12.38	92	75	230	23	C	1, 30
	1800	213TCZ	WCL1508T	1,428	L1	21.25	122	77	230	27	C	
7 1/2	3600	213TCZ	WCL1509T	1,775	L1	21.25	117	81	230	37	C	30
10	3600	215TCZ	WCL1511T	2,188	L1	22.38	139	83	230	46	C	1, 30

(a) See notes on inside back flap.

General Information

Premium Efficient Super-E® Motors

Single Phase Motors

General Purpose Industrial Motors

Severe Duty Motors

Washdown Duty Motors

Explosion Proof Motors

Pump Motors

Light Industrial/Commercial Motors

HVAC Motors

BALDOR • RELIANCE®

**Close-Coupled Pump, 1 thru 50 Hp**  
**Three Phase, TEFC, C-Face**

**NEMA 143JM thru 326JP**

**Applications:** Applications for circulating and transferring fluids. Mounting designed to support pump unit.



**Features:** Over-sized ball bearings with locked drive end construction to minimize endplay. EJMM and EJPM Super-E® motors have NEMA Premium® efficiency.

Hp	RPM	NEMA Frame	Catalog Number	List Price	Mult. Sym.	"C" Dim.	Aprx. Wt. (lb)	Full Load Efficiency	Voltage	Full Load Amps	EISA Status (a)	Notes (a)
<b>Foot Mounted</b>												
1	1800	143JM	<b>EJMM3546T</b>	729	L1	15.43	44	85.5	208-230/460	1.5	B	1
		143JM	<b>JMM3546T</b>	579	L1	15.43	36	82.5	208-230/460	1.8	B	
1 1/2	3600	143JM	<b>EJMM3550T</b>	724	L1	15.43	47	84	208-230/460	2	B	1
		143JM	<b>JMM3550T</b>	608	L1	15.43	37	82.5	208-230/460	2.3	B	
		145JM	<b>EJMM3554T</b>	776	L1	16.31	53	86.5	208-230/460	2.1	B	1
	1800	145JM	<b>JMM3554T</b>	608	L1	15.43	38	84	208-230/460	2.5	B	
		145JP	<b>JPM3554T</b>	608	L1	18.50	39	84	208-230/460	2.5	B	
2	3600	145JM	<b>EJMM3555T</b>	777	L1	16.31	54	85.5	208-230/460	2.5	B	1
		145JM	<b>JMM3555T</b>	678	L1	15.43	45	84	208-230/460	2.7	B	
		145JP	<b>JPM3555T</b>	678	L1	18.50	45	84	208-230/460	2.7	B	
	1800	145JM	<b>EJMM3558T</b>	793	L1	16.31	52	86.5	208-230/460	2.7	B	1
		145JM	<b>JMM3558T</b>	635	L1	15.43	44	84	208-230/460	3	B	
		145JP	<b>JPM3558T</b>	635	L1	18.50	47	84	208-230/460	3.1	B	
3	3600	145JM	<b>EJMM3559T</b>	835	L1	17.68	61	86.5	208-230/460	3.5	B	1
		145JM	<b>JMM3559T</b>	760	L1	15.43	50	85.5	208-230/460	3.8	B	1
		145JP	<b>JPM3559T</b>	760	L1	18.50	51	85.5	208-230/460	3.8	B	1
		182JM	<b>EJMM3610T</b>	836	L1	18.19	66	86.5	208-230/460	3.5	B	1
		182JM	<b>JMM3610T</b>	788	L1	16.81	53	85.5	208-230/460	3.8	B	1
		182JP	<b>JPM3610T</b>	788	L1	19.87	55	85.5	208-230/460	3.8	B	1
	1800	182JM	<b>EJMM3611T</b>	920	L1	18.06	75	89.5	208-230/460	4.1	B	1
		182JM	<b>JMM3611T</b>	760	L1	16.69	64	87.5	208-230/460	4.3	B	1
		182JP	<b>JPM3611T</b>	760	L1	20.06	66	87.5	208-230/460	4.3	B	1
		184JM	<b>EJMM3613T</b>	992	L1	18.06	81	88.5	208/230/460	5.6	B	1
5	3600	184JM	<b>JMM3613T</b>	973	L1	18.06	76	87.5	208-230/460	6	B	1
		184JP	<b>JPM3613T</b>	973	L1	21.43	77	87.5	208-230/460	6	B	1
		184JM	<b>EJMM3615T</b>	923	L1	19.56	95	89.5	230/460	6.5	B	1, 30
	1800	184JM	<b>JMM3615T</b>	850	L1	18.06	78	87.5	208-230/460	6.6	B	1
		184JP	<b>JPM3615T</b>	850	L1	21.43	82	87.5	208-230/460	6.6	B	1
		184JM	<b>JMM3616T</b>	1,101	L1	19.56	91	88.5	208-230/460	8.6	B	2, 20
7 1/2	3600	184JP	<b>JPM3616T</b>	1,101	L1	22.93	91	88.5	208-230/460	8.6	B	2, 20
		213JM	<b>EJMM3709T</b>	1,299	L1	19.81	142	89.5	230/460	8.9	B	1
		213JM	<b>JMM3709T</b>	1,240	L1	19.81	109	88.5	208-230/460	9.4	B	1
		213JP	<b>JPM3709T</b>	1,240	L1	23.64	110	88.5	208-230/460	9.4	B	1
		213TCZ	<b>WCM3709T</b>	1,211	L1	22.82	108	88.5	208-230/460	9.4	B	1
		213JM	<b>EJMM3710T</b>	1,404	L1	20.94	140	91.7	230/460	9.4	B	1, 30
	1800	213JM	<b>JMM3710T</b>	1,087	L1	19.81	124	89.5	208-230/460	10.9	B	1
		213JP	<b>JPM3710T</b>	1,112	L1	23.66	124	89.5	208-230/460	10.9	B	1
		213TCZ	<b>WCM3710T</b>	1,087	L1	22.82	123	89.5	208-230/460	10.9	B	1
		215JM	<b>EJMM3711T</b>	1,492	L1	20.94	154	90.2	230/460	11.2	B	1, 30
10	3600	215JM	<b>JMM3711T</b>	1,483	L1	19.81	131	89.5	208-230/460	11.9	B	1
		215JP	<b>JPM3711T</b>	1,483	L1	23.64	133	89.5	208-230/460	11.9	B	1
		215TCZ	<b>WCM3711T</b>	1,449	L1	22.82	129	89.5	208-230/460	11.9	B	1
		215JM	<b>EJMM3714T</b>	1,650	L1	22.44	158	91.7	208-230/460	12.5	B	1
	1800	215JP	<b>EJPM3714T</b>	1,650	L1	26.29	165	91.7	208-230/460	12	B	1
		215JM	<b>JMM3714T</b>	1,372	L1	20.94	137	89.5	208-230/460	13.5	B	1
		215JP	<b>JPM3714T</b>	1,372	L1	24.79	140	89.5	208-230/460	13.5	B	1
		215TCZ	<b>WCM3714T</b>	1,342	L1	23.95	137	89.5	208-230/460	13.5	B	1

(a) See notes on inside back flap.

**Close-Coupled Pump, Three Phase, TEFC, C-Face**

Hp	RPM	NEMA Frame	Catalog Number	List Price	Mult. Sym.	"C" Dim.	Aprx. Wt. (lb)	Full Load Efficiency	Voltage	Full Load Amps	EISA Status (a)	Notes (a)		
15	3600	215JM	JMM3713T	1,954	L1	20.94	159	90.2	208-230/460	17	B	2, 20		
		215JP	JPM3713T	1,954	L1	24.77	154	90.2	208-230/460	17	B	2, 20		
		215TCZ	WCM3713T	1,728	L1	23.95	160	90.2	208-230/460	17	B	2, 20		
		254JM	EJMM2394T	2,725	L1	25.30	248	90.2	230/460	17.2	B	1, 30		
		254JP	EJPM2394T	2,725	L1	28.16	270	90.2	208-230/460	17.8	B	1, 30		
		254JM	JMM2394T	2,570	L1	23.07	219	90.2	208-230/460	17.5	B	1		
	254JP	JPM2394T	2,570	L1	25.95	223	90.2	208-230/460	17.5	B	1			
	1800	254JM	EJMM2333T	2,701	L1	25.30	255	92.4	230/460	18.5	B	1, 30		
		254JP	EJPM2333T	2,701	L1	28.04	255	92.4	208-230/460	18.5	B	1, 30		
		254JM	JMM2333T	2,506	L1	23.07	233	91	208-230/460	18.9	B	1		
		254JP	JPM2333T	2,506	L1	25.95	236	91	208-230/460	18.9	B	1		
		20	3600	256JM	EJMM4106T	3,001	L1	25.30	282	90.2	230/460	22.5	B	1, 30
256JP				EJPM4106T	3,001	L1	28.16	265	91	208-230/460	23	B	1, 30	
256JM	JMM4106T			2,828	L1	24.83	260	90.2	208-230/460	23	B	1		
256JP	JPM4106T			2,828	L1	27.70	261	90.2	208-230/460	23	B	1		
1800	256JM		EJMM2334T	3,048	L1	25.30	303	93	230/460	24	B	1, 30		
	256JP		EJPM2334T	3,048	L1	28.16	303	93	230/460	24	B	1, 30		
	256JM		JMM2334T	2,653	L1	24.82	280	91	230/460	25	B	1, 30		
	256JP		JPM2334T	2,653	L1	27.70	283	91	230/460	25	B	1, 30		
	25		3600	284JM	EJMM4107T	3,487	L1	26.96	383	91.7	230/460	28	B	1, 30
				284JP	EJPM4107T	3,487	L1	29.84	286	91.7	230/460	28	B	1, 30
				284JM	JMM4107T	3,177	L1	26.96	378	91	230/460	28	B	1, 30
				284JP	JPM4107T	3,177	L1	29.84	282	91	230/460	28	B	1, 30
1800		284JM	EJMM4103T	3,612	L1	28.64	418	93.6	230/460	30	B	1, 30		
		284JP	EJPM4103T	3,612	L1	31.51	410	93.6	230/460	30	B	1, 30		
		284JM	JMM4103T	3,100	L1	26.96	372	92.4	230/460	30	B	1, 30		
		284JP	JPM4103T	3,100	L1	29.84	310	92.4	230/460	30	B	1, 30		
		30	3600	286JM	EJMM4108T	4,796	L1	28.64	382	91.7	208-230/460	33	B	1
				286JP	EJPM4108T	4,796	L1	31.51	435	91.7	208-230/460	35	B	1
				286JM	JMM4108T	4,158	L1	26.96	380	91	230/460	34	B	1, 30
				286JP	JPM4108T	4,158	L1	29.84	297	91	208-230/460	34	B	1
1800	286JM		EJMM4104T	4,280	L1	28.64	451	93.6	230/460	36	B	1, 30		
	286JP		EJPM4104T	4,280	L1	31.51	460	93.6	230/460	36	B	1, 30		
	286JM		JMM4104T	3,820	L1	26.96	335	92.4	230/460	36	B	1, 30		
	286JP		JPM4104T	3,820	L1	29.84	322	92.4	230/460	36	B	1, 30		
	40		3600	324JM	EJMM4109T	5,431	L1	30.64	479	92.4	208-230/460	45	B	1, 30
				324JP	EJPM4109T	5,431	L1	33.51	489	92.4	208-230/460	45	B	1, 30
				324JM	JMM4109T	4,991	L1	30.64	511	91.7	230/460	45	B	1, 30
				324JP	JPM4109T	4,991	L1	33.51	519	91.7	230/460	45	B	1, 30
1800		324JM	EJMM4110T	5,564	L1	30.53	617	94.1	230/460	48	B	1, 30		
		324JP	EJPM4110T	5,564	L1	33.41	618	94.1	230/460	48	B	1, 30		
		324JM	JMM4110T	4,811	L1	30.64	535	93	230/460	47	B	1		
		324JP	JPM4110T	4,811	L1	33.51	500	93	230/460	47	B	1		
		50	3600	326JM	EJMM4114T	6,572	L1	30.53	575	93	208-230/460	56	B	1, 30
				326JP	EJPM4114T	6,572	L1	33.41	630	93	230/460	56	B	1, 30
				326JM	JMM4114T	5,444	L1	30.64	470	92.4	230/460	56	B	1, 30
				326JP	JPM4114T	5,444	L1	33.51	550	92.4	230/460	56	B	1, 30
1800	326JM		EJMM4115T	6,688	L1	30.53	633	94.5	230/460	57	B	1, 30		
	326JP		EJPM4115T	6,688	L1	33.41	635	94.5	230/460	57	B	1, 30		
	326JM		JMM4115T	5,640	L1	30.53	550	93	230/460	60	B	1, 30		
	326JP		JPM4115T	5,640	L1	33.41	556	93	230/460	60	B	1, 30		

(a) See notes on inside back flap.

■ Cast Iron Frame

General Information

Premium Efficient Super-E® Motors

Single Phase Motors

General Purpose Industrial Motors

Severe Duty Motors

Washdown Duty Motors

Explosion Proof Motors

Pump Motors

Light Industrial/Commercial Motors

HVAC Motors

**BALDOR • RELIANCE**

**Close-Coupled Pump, Three Phase, TEFC, C-Face**

Hp	RPM	NEMA Frame	Catalog Number	List Price	Mult. Sym.	"C" Dim.	Aprx. Wt. (lb)	Full Load Efficiency	Voltage	Full Load Amps	EISA Status (a)	Notes (a)
<b>Footless</b>												
1	1800	143JM	<b>VEJMM3546T</b>	609	L1	15.43	41	85.5	208-230/460	1.5	B	1
		143JM	<b>VJMM3546T</b>	590	L1	14.43	32	82.5	208-230/460	1.8	B	
1 1/2	1800	145JM	<b>VEJMM3554T</b>	642	L1	16.31	51	86.5	208-230/460	2.1	B	1
		145JM	<b>VJMM3554T</b>	618	L1	14.43	37	84	208-230/460	2.5	B	
2	1800	145JM	<b>VEJMM3558T</b>	769	L1	16.31	49	86.5	208-230/460	2.5	B	1
		145JM	<b>VJMM3558T</b>	646	L1	15.43	45	84	208-230/460	3.1	B	
3	1800	182JM	<b>VEJMM3611T</b>	878	L1	18.05	70	89.5	208-230/460	4.1	B	1
		182JM	<b>VJMM3611T</b>	772	L1	16.83	61	87.5	208-230/460	4.3	B	1
5	1800	184JM	<b>VEJMM3615T</b>	1,013	L1	19.70	90	89.5	208-230/460	6.5	B	1
		184JM	<b>VJMM3615T</b>	865	L1	18.05	76	87.5	208-230/460	6.6	B	1
7 1/2	1800	213JM	<b>VEJMM3710T</b>	1,483	L1	20.92	128	91.7	230/460	9.4	B	1, 30
		213JM	<b>VJMM3710T</b>	1,123	L1	19.76	117	89.5	208-230/460	10.1	B	1
10	1800	215JM	<b>VEJMM3714T</b>	1,717	L1	22.40	158	91.7	208-230/460	12	B	1, 30
		215JM	<b>VJMM3714T</b>	1,387	L1	20.92	128	89.5	208-230/460	13.5	B	1
15	1800	254JM	<b>VJMM2333T</b>	2,528	L1	21.82	200	91	208-230/460	18.9	B	1
20	1800	256JM	<b>VJMM2334T</b>	2,613	L1	25.28	257	91	230/460	24	B	1, 30

(a) See notes on inside back flap.

■ Cast Iron Frame

**Close-Coupled Pump, 1 thru 75 Hp  
Three Phase,  
ODP, C-Face**

**NEMA 143JM thru 365JP**

**Applications:** Applications for circulating and transferring fluids. Mounting designed to support pump unit.



**Features:** Oversized ball bearings with locked drive end construction to minimize endplay. Furnished with rodent screens at both ends. EJMM and EJPM Super-E® motors have NEMA Premium® Efficiency.

Hp	RPM	NEMA Frame	Catalog Number	List Price	Mult. Sym.	"C" Dim.	Aprx. Wt. (lb)	Full Load Efficiency	Voltage	Full Load Amps	EISA Status (a)	Notes (a)
<b>Foot Mounted</b>												
1	1800	143JM	<b>EJMM3116T</b>	623	L1	13.75	37	85.5	208-230/460	1.4	B	1
		143JM	<b>JMM3116T</b>	535	L1	13.75	31	82.5	208-230/460	1.8	B	
		143JP	<b>JPM3116T</b>	535	L1	16.81	33	82.5	208-230/460	1.8	B	
1 1/2	3600	143JM	<b>JMM3120T</b>	557	L1	13.75	35	82.5	208-230/460	2.3	B	
		145JM	<b>EJMM3154T</b>	674	L1	15.13	43	86.5	208-230/460	2.1	B	1
	1800	145JM	<b>JMM3154T</b>	528	L1	13.75	38	84	208-230/460	2.5	B	
		145JP	<b>JPM3154T</b>	528	L1	16.81	40	84	208-230/460	2.4	B	
2	3600	145JM	<b>EJMM3155T</b>	746	L1	13.75	45	85.5	208-230/460	2.5	B	1
		145JM	<b>JMM3155T</b>	617	L1	13.75	34	84	208-230/460	3	B	
		145JP	<b>JPM3155T</b>	617	L1	16.81	37	84	208-230/460	3	B	
	1800	145JM	<b>EJMM3157T</b>	738	L1	15.13	51	86.5	208-230/460	2.7	B	1
		145JM	<b>JMM3157T</b>	604	L1	13.75	38	84	208-230/460	3.1	B	
145JP	<b>JPM3157T</b>	604	L1	16.81	39	84	208-230/460	3.2	B			
3	3600	145JM	<b>EJMM3158T</b>	837	L1	15.13	54	85.5	230/460	3.7	B	1, 30
		145JM	<b>JMM3158T</b>	654	L1	13.75	43	84	208-230/460	4	B	
		145JP	<b>JPM3158T</b>	654	L1	16.81	44	84	208-230/460	4	B	
	1800	182JM	<b>EJMM3211T</b>	816	L1	16.50	69	89.5	230/460	4	B	1, 30
		182JM	<b>JMM3211T</b>	648	L1	15.63	60	86.5	208-230/460	4.1	B	1
		182JP	<b>JPM3211T</b>	648	L1	18.69	62	86.5	208-230/460	4.1	B	1

(a) See notes on inside back flap.

**Close-Coupled Pump, Three Phase, ODP, C-Face**

Hp	RPM	NEMA Frame	Catalog Number	List Price	Mult. Sym.	"C" Dim.	Aprx. Wt. (lb)	Full Load Efficiency	Voltage	Full Load Amps	EISA Status (a)	Notes (a)
5	3600	182JM	<b>EJMM3212T</b>	998	L1	16.50	76	86.5	208-230/460	5.6	B	1
		182JM	<b>JMM3212T</b>	735	L1	15.63	62	85.5	208-230/460	6.1	B	
		182JP	<b>JPM3212T</b>	735	L1	18.69	63	85.5	208-230/460	6.1	B	
		182TCZ	<b>WCM3212T</b>	721	L1	18.32	71	85.5	208-230/460	6	B	
	1800	184JM	<b>EJMM3218T</b>	923	L1	18.00	90	89.5	230/460	6.6	B	1, 30
		184JM	<b>JMM3218T</b>	701	L1	16.50	64	87.5	208-230/460	7	B	1
		184JP	<b>JPM3218T</b>	701	L1	19.56	66	87.5	208-230/460	7	B	1
1200	215JM	<b>JMM3309T</b>	1,125	L1	18.19	123	87.5	208-230/460	7.6	B		
7 1/2	3600	184JM	<b>EJMM3219T</b>	1,179	L1	18.00	91	88.5	208-230/460	8.4	B	1
		184JM	<b>JMM3219T</b>	899	L1	16.50	57	87.5	208-230/460	9	B	1
		184JP	<b>JPM3219T</b>	899	L1	19.56	71	87.5	208-230/460	9	B	1
		184TCZ	<b>WCM3219T</b>	877	L1	19.69	81	87.5	208-230/460	9	B	1
	1800	213JM	<b>EJMM3311T</b>	1,384	L1	18.19	121	91	230/460	9.6	B	1, 30
		213JM	<b>JMM3311T</b>	1,018	L1	18.19	101	88.5	208-230/460	10.4	B	
		213JP	<b>JPM3311T</b>	1,018	L1	22.09	103	88.5	208-230/460	10.4	B	
1200	254JM	<b>JMM2506T</b>	1,419	L1	21.06	149	88.5	208-230/460	10.6	B		
10	3600	213JM	<b>EJMM3312T</b>	1,519	L1	19.31	136	89.5	230/460	11.5	B	1, 30
		213JP	<b>EJPM3312T</b>	1,519	L1	22.07	129	89.5	208-230/460	11.5	B	1, 30
		213JM	<b>JMM3312T</b>	1,223	L1	18.19	96	88.5	208-230/460	12.5	B	
		213JP	<b>JPM3312T</b>	1,223	L1	20.94	97	88.5	208-230/460	12.5	B	
		213TCZ	<b>WCM3312T</b>	1,195	L1	21.25	97	88.5	208-230/460	12.5	B	
	1800	215JM	<b>EJMM3313T</b>	1,497	L1	19.31	163	91.7	230/460	12.5	B	1, 30
		215JP	<b>EJPM3313T</b>	1,497	L1	22.07	136	91.7	208-230/460	12.5	B	1, 30
		215JM	<b>JMM3313T</b>	1,209	L1	18.19	110	89.5	208-230/460	13.4	B	
		215JP	<b>JPM3313T</b>	1,209	L1	22.10	119	89.5	208-230/460	13.4	B	
		215JM	<b>JMM2511T</b>	1,759	L1	24.69	246	90.2	230/460	14.7	B	
15	3600	215JM	<b>EJMM3314T</b>	1,955	L1	19.31	154	90.2	230/460	17	B	1, 30
		215JP	<b>EJPM3314T</b>	1,955	L1	22.07	154	90.2	208-230/460	17	B	1, 30
		215JM	<b>JMM3314T</b>	1,643	L1	19.78	117	89.5	208-230/460	18	B	1
		215JP	<b>JPM3314T</b>	1,643	L1	23.69	124	89.5	208-230/460	18	B	1
		254JM	<b>EJMM2513T</b>	2,214	L1	23.19	234	93	230/460	17.7	B	1, 30
	1800	254JP	<b>EJPM2513T</b>	2,214	L1	26.06	242	93	208-230/460	17.7	B	1, 30
		254JM	<b>JMM2513T</b>	1,806	L1	21.06	190	91	208-230/460	19	B	1
		254JP	<b>JPM2513T</b>	1,806	L1	23.94	156	91	208-230/460	19	B	1
		284JM	<b>JMM2524T</b>	2,294	L1	27.56	255	90.2	230/460	21.3	B	
		1200	254JM	<b>EJMM2514T</b>	2,462	L1	23.19	186	91	230/460	22.5	B
20	3600	254JP	<b>EJPM2514T</b>	2,462	L1	26.06	221	91	230/460	23.5	B	1, 30
		254JM	<b>JMM2514T</b>	2,170	L1	23.19	213	90.2	208-230/460	24	B	
		254JP	<b>JPM2514T</b>	2,170	L1	26.06	209	90.2	230/460	24	B	30
		256JM	<b>EJMM2515T</b>	2,652	L1	23.19	237	93	230/460	23.5	B	1, 30
	1800	256JP	<b>EJPM2515T</b>	2,652	L1	26.06	234	93	230/460	23.5	B	1, 30
		256JM	<b>JMM2515T</b>	2,190	L1	23.56	208	91	230/460	24	B	30
		256JP	<b>JPM2515T</b>	2,190	L1	26.44	217	91	230/460	24	B	30
		256JM	<b>EJMM2516T</b>	2,918	L1	23.19	242	91.7	230/460	28	B	1, 30
		256JP	<b>EJPM2516T</b>	2,918	L1	26.06	252	91.7	230/460	29	B	1, 30
		256JM	<b>JMM2516T</b>	2,688	L1	23.19	177	91	230/460	30	B	30
25	3600	256JP	<b>JPM2516T</b>	2,688	L1	26.06	177	91	230/460	30	B	30
		284JM	<b>EJMM2531T</b>	3,155	L1	19.44	335	93.6	230/460	30	B	1
		284JP	<b>EJPM2531T</b>	3,155	L1	27.57	330	93.6	230/460	29	B	1, 30
		284JM	<b>JMM2531T</b>	2,714	L1	25.06	290	91.7	230/460	32.5	B	30
	1800	284JP	<b>JPM2531T</b>	2,714	L1	27.94	303	91.7	230/460	32.5	B	30
		284JM	<b>EJMM2534T</b>	3,709	L1	26.56	248	91.7	230/460	33	B	1
30	3600	284JP	<b>EJPM2534T</b>	3,709	L1	29.44	248	91.7	230/460	33	B	1
		284JM	<b>JMM2534T</b>	2,757	L1	25.06	286	91	230/460	35	B	30
		284JP	<b>JPM2534T</b>	2,757	L1	27.94	307	91	230/460	35	B	30
		286JM	<b>EJMM2535T</b>	3,779	L1	20.69	379	94.1	230/460	35	B	1
	1800	286JP	<b>EJPM2535T</b>	3,779	L1	28.82	378	94.1	230/460	35	B	1, 30
		286JM	<b>JMM2535T</b>	3,111	L1	26.56	314	92.4	230/460	36	B	30
		286JP	<b>JPM2535T</b>	3,111	L1	29.44	322	92.4	230/460	36	B	30

(a) See notes on inside back flap.

General Information

Premium Efficient Super-E® Motors

Single Phase Motors

General Purpose Industrial Motors

Severe Duty Motors

Washdown Duty Motors

Explosion Proof Motors

Pump Motors

Light Industrial/Commercial Motors

HVAC Motors



Close-Coupled Pump, Three Phase, ODP, C-Face

Hp	RPM	NEMA Frame	Catalog Number	List Price	Mult. Sym.	"C" Dim.	Aprx. Wt. (lb)	Full Load Efficiency	Voltage	Full Load Amps	EISA Status (a)	Notes (a)
40	3600	286JM	<b>EJMM2538T</b>	4,466	L1	26.56	385	92.4	230/460	45	B	1
		286JP	<b>EJPM2538T</b>	4,466	L1	29.44	279	92.4	230/460	45	B	1
		286JM	<b>JMM2538T</b>	4,050	L1	26.56	331	91.7	230/460	45	B	30
		286JP	<b>JPM2538T</b>	4,050	L1	29.44	342	91.7	230/460	45	B	30
	1800	324JM	<b>EJMM2539T</b>	4,594	L1	22.19	523	94.1	230/460	46	B	1
		324JP	<b>EJPM2539T</b>	4,594	L1	29.82	475	94.1	230/460	47	B	1, 30
		324JM	<b>JMM2539T</b>	4,034	L1	26.44	409	93	230/460	49	B	1, 30
		324JP	<b>JPM2539T</b>	4,034	L1	29.31	367	93	230/460	49	B	1, 30
		324JM	<b>EJMM2542T</b>	5,035	L1	27.44	447	93	208-230/460	55	B	1
50	3600	324JP	<b>EJPM2542T</b>	5,035	L1	30.31	383	93	230/460	55	B	1
		324JM	<b>JMM2542T</b>	4,406	L1	26.44	377	92.4	230/460	59	B	
		324JP	<b>JPM2542T</b>	4,406	L1	29.31	367	92.4	230/460	59	B	
		326JM	<b>EJMM2543T</b>	5,312	L1	27.94	477	94.5	230/460	57	B	1
	1800	326JP	<b>EJPM2543T</b>	5,312	L1	30.82	474	94.5	230/460	57	B	1, 30
		326JM	<b>JMM2543T</b>	4,589	L1	27.44	378	93	230/460	62	B	30
		326JP	<b>JPM2543T</b>	4,589	L1	30.32	408	93	230/460	62	B	30
		326JM	<b>JMM2546T</b>	5,484	L1	26.44	403	93	230/460	68	B	30
		364JP	<b>JPM2547T</b>	5,213	L1	32.44	505	93.6	230/460	72	B	30
60	3600	365JM	<b>JPM2551T</b>	6,846	L1	32.44	528	94.1	230/460	88	B	30
75	1800	365JM	<b>JPM2551T</b>	6,846	L1	32.44	528	94.1	230/460	88	B	30
<b>Footless</b>												
1	1800	143JM	<b>VEJMM3116T</b>	623	L1	15.43	44	85.5	208-230/460	1.4	B	1
		143JM	<b>VJMM3116T</b>	528	L1	14.43	35	82.5	208-230/460	1.8	B	
1 1/2	1800	145JM	<b>VEJMM3154T</b>	668	L1	16.31	49	86.5	208-230/460	2	B	1
		145JM	<b>VJMM3154T</b>	536	L1	14.43	36	84	208-230/460	2.4	B	
2	1800	145JM	<b>VEJMM3157T</b>	731	L1	16.31	50	86.5	208-230/460	2.7	B	1
		145JM	<b>VJMM3157T</b>	599	L1	15.43	40	84	208-230/460	3.2	B	
3	3600	145JM	<b>VJMM3158T</b>	665	L1	15.43	44	84	208-230/460	4	B	
	1800	182JM	<b>VEJMM3211T</b>	802	L1	18.06	81	89.5	230/460	4	B	1, 30
		182JM	<b>VJMM3211T</b>	654	L1	16.84	57	86.5	208-230/460	4.1	B	1
5	3600	182JM	<b>VJMM3212T</b>	770	L1	16.84	60	85.5	208-230/460	6.1	B	
	1800	184JM	<b>VEJMM3218T</b>	908	L1	18.06	87	89.5	230/460	6.6	B	1, 30
		184JM	<b>VJMM3218T</b>	699	L1	18.06	67	87.5	208-230/460	7	B	
7 1/2	3600	184JM	<b>VJMM3219T</b>	907	L1	18.06	78	87.5	208-230/460	9	B	
	1800	213JM	<b>VEJMM3311T</b>	1,370	L1	19.78	119	91	230/460	9.6	B	1, 30
213JM		<b>VJMM3311T</b>	1,021	L1	19.78	100	88.5	208-230/460	10.4	B		
10	3600	213JM	<b>VJMM3312T</b>	1,138	L1	18.16	91	88.5	208-230/460	12.5	B	
		215JM	<b>VEJMM3313T</b>	1,483	L1	22.41	158	91.7	208-230/460	12.5	B	1
	1800	215JM	<b>VJMM3313T</b>	1,195	L1	19.78	109	89.5	208-230/460	13.4	B	
15	3600	215JM	<b>VJMM3314T</b>	1,535	L1	19.78	114	89.5	208-230/460	18	B	1
		215TCZ	<b>WCM3314T</b>	1,613	L1	22.87	115	89.5	208-230/460	18	B	1

(a) See notes on inside back flap.

General Information

Premium Efficient Super-E® Motors

Single Phase Motors

General Purpose Industrial Motors

Severe Duty Motors

Washdown Duty Motors

Explosion Proof Motors

Pump Motors

Light Industrial/Commercial Motors

HVAC Motors

**Washdown  
Close-Coupled Pump,  
Three Phase,  
Totally Enclosed**

**1 thru 15 Hp**

**NEMA 143JM thru 215JM**

**Applications:** Commercial and industrial water pumps, food processing and applications that expose the motor to high pressure washdown.

**Features:** Over-sized ball bearings with locked drive end construction for minimum shaft movement. Moisture sealant on bolt heads, between frame and endplates. Neoprene gaskets. V-Ring running contact v-ring slinger. Stainless steel shaft extension. Electrostatic epoxy coating.



Hp	RPM	NEMA Frame	Encl.	Catalog Number	List Price	Mult. Sym.	"C" Dim.	Aprx. Wt. (lb)	Full Load Efficiency	Voltage	Full Load Amps	EISA Status (a)	Notes (a)
1	1800	143JM	TENV	JMWDM3546T	841	WD	14.25	42	81.5	208-230/460	1.6	C	1
	3600	143JM	TEFC	JMWDM3550T	880	WD	15.43	37	82.5	230/460	2.3	B	1, 30
1 1/2	1800	145JM	TENV	JMWDM3554T	880	WD	14.25	45	85.5	208-230/460	2.3	C	2, 20
	3600	145JM	TEFC	JMWDM3555T	978	WD	15.43	44	84	208-230/460	2.7	B	1
2	1800	145JM	TEFC	JMWDM3558T	920	WD	15.43	44	84	208-230/460	3.1	B	1
	3600	145JM	TEFC	JMWDM3559T	1,101	WD	15.43	49	85.5	208-230/460	3.8	B	1
3	1800	182JM	TEFC	JMWDM3611T	1,101	WD	16.67	69	87.5	208-230/460	4.3	B	1
	3600	184JM	TEFC	JMWDM3613T	1,411	WD	18.05	80	87.5	208-230/460	6	B	1
5	1800	184JM	TEFC	JMWDM3615T	1,232	WD	18.05	85	87.5	208-230/460	6.6	B	1
	3600	184JM	TEFC	JMWDM3616T	1,599	WD	19.55	94	88.5	208-230/460	8.6	B	2, 20
7 1/2	1800	213JM	TEFC	JMWDM3710T	1,575	WD	19.78	123	89.5	208-230/460	10.9	B	1
	3600	215JM	TEFC	JMWDM3711T	2,149	WD	19.78	132	89.5	208-230/460	11.9	B	1
10	1800	215JM	TEFC	JMWDM3714T	1,990	WD	20.91	141	89.5	208-230/460	13.5	B	2, 20
	3600	215JM	TEFC	JMWDM3713T	2,560	WD	20.91	154	90.2	230/460	17	B	2, 8

(a) See notes on inside back flap.

**SSE Super-E  
Stainless Steel,  
Close-Coupled Pump,  
Three Phase,  
Totally Enclosed,  
Encapsulated**

**1 thru 10 Hp**

**NEMA 143JM thru 215JM**

**Applications:** Commercial and industrial water pumps, food processing and applications that expose the motor to high pressure washdown.

**Features:** Stainless steel motor frame, endplates, conduit box, shaft and base. Moisture resistant insulation system. Endplate rabbets have O-ring seals. Conduit box is welded to the motor frame. Patented bearing seal to protect motor bearings. Epoxy encapsulation, Class H insulation. Laser etched nameplate. NEMA Premium® efficiency. 3 year warranty.



Hp	RPM	NEMA Frame	Encl.	Catalog Number	List Price	Mult. Sym.	"C" Dim.	Aprx. Wt. (lb)	Full Load Efficiency	Voltage	Full Load Amps	EISA Status (a)	Notes (a)
1	1800	143JM	TENV	JMSSEWDM3546T	1,591	WD	14.81	40	87.5	208-230/460	1.5	C	
	3600	143JM	TENV	JMSSEWDM3550T	1,595	WD	15.69	51	85.5	208-230/460	1.8	C	
1 1/2	1800	145JM	TEFC	JMSSEWDM3554T	1,604	WD	16.95	53	88.5	208-230/460	2.2	C	
	3600	145JM	TEFC	JMSSEWDM3555T	1,885	WD	16.95	55	86.5	208-230/460	2.5	C	
2	1800	145JM	TEFC	JMSSEWDM3558T	1,911	WD	18.33	57	88.5	208-230/460	2.7	C	
	3600	145JM	TEFC	JMSSEWDM3559T	2,264	WD	18.33	59	86.5	208-230/460	3.7	C	
3	1800	182JM	TEFC	JMSSEWDM3611T	2,377	WD	18.23	99	89.5	208-230/460	4	C	
	3600	184JM	TEFC	JMSSEWDM3613T	2,560	WD	18.23	105	89.5	208-230/460	5.6	C	
5	1800	184JM	TEFC	JMSSEWDM3615T	2,578	WD	19.73	120	90.2	208-230/460	6.4	C	
	3600	213JM	TEFC	JMSSEWDM3709T	3,018	WD	21.56	129	91	208-230/460	8.3	C	
7 1/2	1800	213JM	TEFC	JMSSEWDM3710T	3,074	WD	22.75	135	91.7	208-230/460	9.5	C	
	3600	215JM	TEFC	JMSSEWDM3711T	3,384	WD	22.75	154	91.7	208-230/460	10.6	C	
10	1800	215JM	TEFC	JMSSEWDM3714T	3,570	WD	24.19	187	92.4	208-230/460	12.5	C	

(a) See notes on inside back flap.

General Information

Premium Efficient Super-E® Motors

Single Phase Motors

General Purpose Industrial Motors

Severe Duty Motors

Washdown Duty Motors

Explosion Proof Motors

Pump Motors

Light Industrial/Commercial Motors

HVAC Motors

**BALDOR • RELIANCE**

**P-Base Vertical Solid Shaft Pump, Three Phase, TEFC, 1.15 Service Factor**

**3 thru 75 Hp**

**NEMA 182LP thru 365VP**

**Applications:** For normal medium and high thrust in-line pump applications. Waste water treatment plants, petro chemical industries, pulp and paper mills and agricultural irrigation applications.

**Features:** Severe duty construction with corrosion-resistant epoxy finish, cast-iron construction, designed for vertical mounting. Rotatable conduit box, stainless steel nameplates, shaft seals. Energy efficient windings. Two lifting lugs for balanced lifting. VHECP motors have NEMA Premium® efficiency and are Inverter-Ready. 1.15 Service Factor.



General Information

Premium Efficient Super-E® Motors

Single Phase Motors

General Purpose Industrial Motors

Severe Duty Motors

Washdown Duty Motors

Explosion Proof Motors

Pump Motors

Light Industrial/Commercial Motors

HVAC Motors

Hp	RPM	NEMA Frame	Catalog Number	List Price	Mult. Sym.	"C" Dim.	Aprx. Wt. (lb)	Full Load Efficiency	Voltage	Full Load Amps	EISA Status (a)	Notes (a)
<b>Super-E Efficiency, Normal Thrust</b>												
3	3600	182HP	VHECP3660T	2,111	SD	22.18	120	89.5	230/460	3.5	B	1, 30
	1800	182HP	VHECP3661T	1,890	SD	22.18	121	89.5	230/460	4	B	1, 30
5	3600	184HP	VHECP3663T	2,726	SD	22.18	128	90.2	230/460	5.7	B	1, 30
	1800	184HP	VHECP3665T	2,517	SD	22.18	142	90.2	230/460	6.5	B	1, 30
7 1/2	3600	213HP	VHECP3769T	3,228	SD	22.33	173	91	230/460	8.6	B	1, 30
	1800	213HP	VHECP3770T	3,124	SD	22.33	170	91.7	230/460	9.5	B	1, 30
10	3600	215HP	VHECP3771T	3,366	SD	22.33	203	91.7	230/460	11.2	B	1, 30
	1800	215HP	VHECP3774T	3,505	SD	22.33	231	92.4	230/460	12.5	B	1, 30
15	3600	254HP	VHECP2394T	3,880	SD	25.73	285	91.7	230/460	17.2	B	1, 30
	1800	254HP	VHECP2333T	4,022	SD	25.73	255	92.4	230/460	18.5	B	1, 30
20	3600	256HP	VHECP4106T	4,220	SD	25.73	265	92.4	230/460	23	B	1, 30
	1800	256HP	VHECP2334T	4,568	SD	25.73	303	93	230/460	24	B	1, 30
25	3600	284HP	VHECP4107T	4,487	SD	25.72	335	93	230/460	28	B	1, 30
	1800	284HP	VHECP4103T	5,096	SD	30.69	462	93.6	230/460	30	B	1, 30
30	3600	286HP	VHECP4108T	4,941	SD	25.72	325	93	230/460	33	B	1, 30
	1800	286HP	VHECP4104T	5,719	SD	30.69	506	94.1	230/460	36	B	1, 30
40	3600	324HP	VHECP4109T	6,916	SD	34.72	612	93.6	230/460	45	B	1, 30
	1800	324HP	VHECP4110T	6,468	SD	34.72	670	94.5	230/460	46	B	1, 30
50	3600	326HP	VHECP4114T	8,475	SD	34.72	641	94.1	208-230/460	56	C	1, 30
	1800	326HP	VHECP4115T	9,137	SD	34.72	717	94.5	230/460	57	C	1, 30
60	3600	364HP	VHECP4310T	10,828	SD	38.04	881	94.1	230/460	68	C	1, 30
	1800	364HP	VHECP4314T	11,303	SD	38.04	885	95	230/460	69	C	1, 30
75	3600	365HP	VHECP4313T	13,528	SD	38.04	953	95	230/460	83	C	1
	1800	365HP	VHECP4316T	13,765	SD	38.04	973	95.4	230/460	86.5	C	1, 30
<b>Standard Efficiency, Medium Thrust</b>												
3	3600	182LP	VLCP3660T	2,021	SD	22.18	113	80	208-230/460	3.9	C	1
	1800	182LP	VLCP3661T	1,807	SD	22.18	117	84	208-230/460	4.3	C	1
5	3600	184LP	VLCP3663T	2,608	SD	22.18	129	86	208-230/460	6	C	1
	1800	184LP	VLCP3665T	2,407	SD	22.18	128	85.5	208-230/460	6.6	C	1
7 1/2	3600	213LP	VLCP3769T	3,089	SD	22.33	190	84	208-230/460	9.1	C	1
	1800	213LP	VLCP3770T	2,987	SD	22.33	195	89.5	208-230/460	10.3	C	1
10	3600	215LP	VLCP3771T	3,222	SD	22.33	200	85.5	208-230/460	12	C	1
	1800	215LP	VLCP3774T	3,352	SD	22.33	206	88.5	208-230/460	13.8	C	1
15	3600	254LP	VLCP2394T	3,710	SD	22.33	212	86.5	208-230/460	17.5	C	1
	1800	254LP	VLCP2333T	3,848	SD	22.33	227	89.5	208-230/460	18.9	C	1
20	3600	256LP	VLCP4106T	4,052	SD	25.72	308	89.5	230/460	23	C	1, 30
	1800	256LP	VLCP2334T	4,367	SD	25.72	280	91	230/460	24	C	1, 30
25	3600	284LP	VLCP4107T	4,292	SD	27.47	476	90.2	230/460	28	C	1, 30
	1800	286LP	VLCP4103T	4,873	SD	27.47	310	92.4	230/460	30	C	1, 30
30	3600	286LP	VLCP4108T	4,724	SD	27.47	496	91	208-230/460	34	C	1
	1800	286LP	VLCP4104T	5,469	SD	22.97	315	91.7	230/460	35	C	1, 30
40	3600	324LP	VLCP4109T	6,613	SD	34.72	624	91.7	230/460	45	C	1, 30
	1800	324LP	VLCP4110T	6,185	SD	34.72	640	93	230/460	47	C	1, 30

(a) See notes on inside back flap.

Cast Iron Frame

P-Base Vertical Solid Shaft Pump, Three Phase, TEFC, 1.15 Service Factor

Hp	RPM	NEMA Frame	Catalog Number	List Price	Mult. Sym.	"C" Dim.	Aprx. Wt. (lb)	Full Load Efficiency	Voltage	Full Load Amps	EISA Status (a)	Notes (a)
<b>Standard Efficiency, High Thrust</b>												
50	3600	326VP	VPCP4114T	8,104	SD	34.71	632	92.4	208-230/460	57	C	1, 30
	1800	326VP	VPCP4115T	8,736	SD	34.71	617	91	230/460	60	C	1, 30
60	3600	364VP	VPCP4310T	9,318	SD	38.04	754	90.2	230/460	69	C	1, 30
	1800	364VP	VPCP4314T	9,730	SD	38.04	811	93.6	230/460	70	C	1, 30
75	3600	365VP	VPCP4313T	11,642	SD	38.04	799	91	230/460	84	C	1, 30
	1800	365VP	VPCP4316T	11,846	SD	38.04	872	94.1	230/460	86	C	1, 30

(a) See notes on inside back flap.

■ Cast Iron Frame

P-Base Vertical Solid Shaft Pump, Three Phase, ODP, 1.15 Service Factor

3 thru 75 Hp

NEMA 182HP thru 365HP

**Applications:** For normal thrust applications. Waste water treatment plants, petro chemical industries, pulp and paper mills and agricultural irrigation applications.

**Features:** Cast iron frame and endplates. Rotatable conduit box, drip cover, stainless nameplate, epoxy finish. Two lifting lugs for balanced lifting.



Hp	RPM	NEMA Frame	Catalog Number	List Price	Mult. Sym.	"C" Dim.	Aprx. Wt. (lb)	Full Load Efficiency	Voltage	Full Load Amps	EISA Status (a)	Notes (a)
<b>EPAct High Efficiency, Normal Thrust</b>												
3	3600	182HP	VHM3210T	1,836	L1	21.33	87	84	208-230/460	3.7	B	1, 17
	1800	182HP	VHM3211T	1,641	L1	21.33	137	86.5	208-230/460	4.2	B	1, 17
5	3600	184HP	VHM3212T	2,368	L1	21.33	99	85.5	208-230/460	5.7	B	1, 17
	1800	184HP	VHM3218T	2,186	L1	21.33	137	87.5	208-230/460	6.7	B	1, 17
7 1/2	3600	184HP	VHM3219T	2,805	L1	21.33	115	87.5	208-230/460	8.5	B	1, 17
	1800	213HP	VHM3311T	2,714	L1	23.68	169	88.5	208-230/460	10.7	B	1, 17
10	3600	213HP	VHM3312T	2,927	L1	23.68	169	88.5	208-230/460	11.6	B	1, 17
	1800	215HP	VHM3313T	3,045	L1	23.68	206	89.5	208-230/460	13.8	B	1, 17
15	3600	215HP	VHM3314T	3,090	L1	23.68	179	89.5	208-230/460	16.8	B	1, 17
	1800	254HP	VHM2513T	3,202	L1	26.73	255	91	208-230/460	18.1	B	1, 17
20	3600	254HP	VHM2514T	3,361	L1	26.73	253	90.2	230/460	23.5	B	1, 17, 30
	1800	256HP	VHM2515T	3,637	L1	25.81	255	91	230/460	25	B	1, 17, 30
25	3600	256HP	VHM2516T	3,575	L1	26.73	239	91	230/460	29	B	1, 17, 30
	1800	284HP	VHM2531T	4,058	L1	29.93	454	92.4	230/460	30	B	1, 17, 30
30	3600	284HP	VHM2534T	3,933	L1	26.74	444	91	230/460	34	B	1, 17, 30
	1800	286HP	VHM2535T	4,557	L1	29.93	473	92.4	230/460	38.2	B	1, 17, 30
40	3600	286HP	VHM2538T	5,676	L1	29.93	463	91.7	230/460	45	B	1, 17, 30
	1800	324HP	VHM2539T	5,308	L1	33.87	703	93	230/460	47	B	1, 17, 30
50	3600	324HP	VHM2542T	6,955	L1	33.87	686	92.4	208-230/460	57	B	1, 17, 30
	1800	326HP	VHM2543T	7,498	L1	33.87	730	93	230/460	59	B	1, 17, 30
60	3600	326HP	VHM2546T	8,886	L1	33.87	730	93	208-230/460	66	B	1, 17, 30
	1800	364HP	VHM2547T	9,275	L1	35.77	908	93.6	230/460	70	B	1, 17, 30
75	3600	364HP	VHM2549T	11,102	L1	35.77	815	93	230/460	85	B	1, 17
	1800	365HP	VHM2551T	11,295	L1	35.77	962	94.1	230/460	90	B	1, 17, 30

(a) See notes on inside back flap.

Custom TEFC motors available through 2,250 Hp; Open and WPll custom motors through 15,000 Hp. Contact your Baldor Sales Representative.

**THRUST BEARINGS MUST BE LOADED TO A MINIMUM OF 20% OF RATED THRUST FOR PROPER BEARING LOADING AND LIFE.**

■ Cast Iron Frame

General Information

Premium Efficient Super-E® Motors

Single Phase Motors

General Purpose Industrial Motors

Severe Duty Motors

Washdown Duty Motors

Explosion Proof Motors

Pump Motors

Light Industrial/Commercial Motors

HVAC Motors

**Submersible Motors, 1 thru 5 Hp**  
**Single Phase, TENV**

**180TY thru 210TY**

**Applications:** Submersible motors suitable for wet pit applications. Municipal and Industrial wastewater, slurry pump, aerators and mixers. Continuous duty in water/ sewage, 15 minutes in air.

**Features:** All cast iron construction, 416 stainless steel shafts, dual carbon ceramic mechanical seals, (2) NC thermostats and 25 feet of cable. Dual moisture sensing probes. Includes NEMA 1 enclosure control box, wired complete with starting capacitors, wiring diagram and terminal board. 1.15 Service Factor. Explosion Proof, Division 1, Group C & D, T3C. 5 year pro-rated warranty. UL listed, Hazardous Duty.



Hp	RPM	NEMA Frame	Catalog Number	XP <sup>(a)</sup> Cts/Grp	List Price	Mult. Sym.	"C" Dim.	Aprx. Wt. (lb)	Full Load Efficiency	Voltage	Full Load Amps	EISA Status <sup>(a)</sup>	Notes <sup>(a)</sup>
1	1800	180TY	<b>C18G2730</b>	⑤	5,001	S1	25.99	245	55	230	8.1	C	81, 97
	1200	180TY	<b>C18G2700</b>	⑤	5,233	S1	25.99	245	55.6	230	8.6	C	81, 97
1 1/2	1800	180TY	<b>C18G2731</b>	⑤	5,001	S1	25.99	246	62.5	230	10.6	C	81, 97
	1200	180TY	<b>C18G2701</b>	⑤	5,984	S1	25.99	263	57	230	12.5	C	81, 97
2	1800	180TY	<b>C18G2702</b>	⑤	5,544	S1	25.99	246	59.2	230	14	C	81, 97
3	1800	180TY	<b>C18G2703</b>	⑤	6,932	S1	25.99	269	57	230	20	C	81, 97
		180TY	<b>C18G2704</b>	⑤	6,932	S1	25.99	260	59.2	230	20	C	81, 97
	1200	210TY	<b>C21G2701</b>	⑤	8,497	S1	32.41	373	65.6	230	21	C	81, 97
5	1800	210TY	<b>C21G2702</b>	⑤	9,230	S1	32.41	370	69	230	30	C	82

<sup>(a)</sup> See notes on inside back flap.

**IMMERSIBLE MOTORS AVAILABLE THROUGH 250 HP. CONTACT YOUR LOCAL BALDOR•RELIANCE DISTRICT OFFICE WITH YOUR INQUIRY AND SPECIFICATIONS.**

■ Cast Iron Frame

General Information

Premium Efficient Super-E® Motors

Single Phase Motors

General Purpose Industrial Motors

Severe Duty Motors

Washdown Duty Motors

Explosion Proof Motors

Pump Motors

Light Industrial/ Commercial Motors

HVAC Motors



**Submersible Motors, 1 thru 100 Hp  
Three Phase, TENV**

**180TY thru 360TY**



**Applications:** Submersible motors suitable for wet pit applications. Municipal and Industrial wastewater, slurry pump, aerators and mixers. Continuous duty in water/ sewage, 15 minutes in air.

**Features:** All cast iron construction, 416 stainless steel shafts, dual carbon ceramic mechanical seals, (2) NC thermostats and 25 feet of cable. Dual moisture sensing probes. 1.15 Service Factor. UL Listed motors are Division 1, Group C & D, T3C. 5 year pro-rated warranty. Inverter capable for 10:1 variable torque for Division 1, Group D, T2A only.

Hp	RPM	NEMA Frame	Catalog Number	XP (a) Cts/Grp	List Price	Mult. Sym.	"C" Dim.	Aprx. Wt. (lb)	Full Load Efficiency	Voltage	Full Load Amps	EISA Status (a)	Notes (a)
<b>UL Listed, Hazardous Duty, Explosion Proof</b>													
1	1800	180TY	P18G2784	⑤	4,457	S1	26.66	217	63.5	230	3.4	C	81, 97
1 1/2	1800	180TY	P18G2787	⑤	4,565	S1	26.66	226	70.5	230	4.6	C	81, 97
2	1800	180TY	P18G2791	⑤	4,651	S1	26.66	226	73.5	230	5.8	C	81, 97
		180TY	P18G2792	⑤	4,651	S1	26.66	228	73.5	200	6.7	C	81, 97
3	1800	180TY	P18G2794	⑤	4,701	S1	26.66	224	78.1	230	8.8	C	81, 97
	1200	180TY	P18G2707	⑤	4,777	S1	26.66	237	78	230	10.4	C	81
5	1800	180TY	P18G2701	⑤	4,457	S1	26.66	235	80.2	230	14	C	81
		180TY	P18G2702	⑤	4,457	S1	26.66	238	80.2	460	7	C	81
	180TY	P18G2739	⑤	4,457	S1	26.66	225	80.2	200	16.1	C	81	
	1200	180TY	P18G2709	⑤	6,475	S1	26.66	248	80.9	230	16	C	81
7 1/2	900	210TY	P21G2747	⑤	7,997	S1	31.69	335	82.6	460	8.3	C	82
	1800	180TY	P18G2703	⑤	6,133	S1	26.66	249	82.7	230	20.2	C	81
		180TY	P18G2704	⑤	6,133	S1	26.66	245	82.7	460	10.1	C	81
10	1200	210TY	P21G2705	⑤	7,154	S1	31.69	350	81.7	230	22.6	C	81
		1800	210TY	P21G2701	⑤	6,610	S1	31.69	381	85.6	230	26	C
	210TY	P21G2702	⑤	6,610	S1	31.69	356	85.6	460	13	C	81	
15	1200	210TY	P21G2707	⑤	8,748	S1	31.69	391	83.8	460	28.8	C	81
		1800	210TY	P21G2703	⑤	8,468	S1	31.69	372	85.4	460	40.2	C
	210TY	P21G2704	⑤	8,468	S1	31.69	394	85.4	460	20.1	C	81	
20	1200	250TY	P25G2707	⑤	11,556	S1	38.53	472	86.5	460	20.3	C	81
		1800	210TY	P21G2737	⑤	9,333	S1	31.69	371	86.6	460	26.2	C
	210TY	P21G2758	⑤	9,834	S1	31.69	407	86.6	460	26.2	C	81	
25	1200	250TY	P25G2710	⑤	12,743	S1	38.53	483	86.7	460	27.4	C	81
		1800	250TY	P25G2702	⑤	11,924	S1	38.53	495	88.5	460	32.1	C
	250TY	P25G2747	⑤	11,924	S1	37.06	506	88.5	460	32.1	C	81, 97	
30	1200	250TY	P25G2712	⑤	16,534	S1	38.53	496	86.7	460	35.2	C	81
		1800	250TY	P25G2704	⑤	12,880	S1	38.53	520	88.7	460	39.9	C
	320TY	P32G2700	⑤	19,841	S1	43.12	1150	89.7	460	40.7	C	82	
40	1200	250TY	P25G2706	⑤	17,438	S1	38.53	512	89	460	51.7	C	82
		1800	320TY	P32G2701	⑤	20,407	S1	43.12	875	91.1	460	64.3	C
	320TY	P32G2724	⑤	20,407	S1	43.12	1100	91.1	460	64.3	C	82, 97	
50	1200	320TY	P32G2702	⑤	20,407	S1	43.12	925	90.5	460	65	C	82
		1800	320TY	P32G2706	⑤	26,100	S1	43.12	950	92	460	74.9	C
	360TY	P36G2703	⑤	33,838	S1	43.12	956	92.6	460	91.3	C	82	
75	1200	360TY	P36G2700	⑤	34,600	S1	49.81	1500	92.3	460	90.9	C	82
		1800	360TY	P36G2701	⑤	35,979	S1	49.81	1500	93.7	460	116	C
	360TY	P36G2702	⑤	44,471	S1	49.81	1500	91.2	460	122	C	82	
<b>Non-UL Listed, Non Hazardous Duty</b>													
7 1/2	1800	210TY	P21G2750		4,683	S1	31.69	350	82.8	230	10.4	C	81
		210TY	P21G2754		4,683	S1	31.69	369	82.8	460	10.4	C	81
10	1800	210TY	P21G2755		5,620	S1	31.69	362	85.6	230	13	C	81
		210TY	P21G2756		5,620	S1	31.69	371	85.6	460	13	C	81
15	1800	210TY	P21G2752		7,079	S1	31.69	373	85.4	230	20.1	C	81
		210TY	P21G2757		7,079	S1	31.69	381	85.4	460	20.1	C	81

(a) See notes on inside back flap.

Longer cable lengths and custom submersible motors are available. Contact your Baldor•Reliance Sales Representative.

■ Cast Iron Frame

General Information

Premium Efficient Super-E® Motors

Single Phase Motors

General Purpose Industrial Motors

Severe Duty Motors

Washdown Duty Motors

Explosion Proof Motors

Pump Motors

Light Industrial/ Commercial Motors

HVAC Motors

BALDOR • RELIANCE

**Two Compartment  
Jet Pump,  
Single Phase,  
Open**

1/4 thru 1 Hp

NEMA 56C

**Applications:** Swimming pool pumps, spa, and hot tub pumps.



**Features:** 50°C ambient, 60 Hertz, aluminum endplates, automatic thermal overloads, ball bearings, capacitor start, high service factors, ground screw and shaft slinger. Two-compartment design for easier maintenance. Termination panel with quick connection for easier installation. Class B insulation.

Hp	RPM	NEMA Frame	Catalog Number	List Price	Mult. Sym.	"C" Dim.	Aprx. Wt. (lb)	Voltage	Full Load Amps	S.F.	EISA Status (a)	Notes (a)
<b>Keyed Shaft, 56C, Footless</b>												
1/4	1800	56C	V2L145A	223	C1	13.10	20	115/230	2.2	1.35	C	30
	3600	56C	V2L225A	218	C1	13.10	21	115/230	2.8	1.75	C	30
1/3	1800	56C	V2L245A	260	C1	13.10	23	115/230	2.7	1.35	C	30
	3600	56C	V2L325A	245	C1	14.35	24	115/230	3.3	1.60	C	30
3/4	3600	56C	V2L425A	279	C1	14.35	26	115/230	4.6	1.50	C	30
1	3600	56C	V2L525A	312	C1	14.85	34	115/230	7.6	1.40	C	30

(a) See notes on inside back flap.

**General Purpose,  
Single Phase,  
Open**

1/4 thru 1 Hp

NEMA 48 and 56

**Applications:** Ventilators, summer cooling fans, band saws, drill presses, farm equipment, etc.



**Features:** 40°C ambient, 60 Hertz, aluminum endplates, automatic thermal overloads, ball bearings, and capacitor start. Termination panel with quick connection for easier installation. Resilient cushion rings on a rugged steel base. Reversible rotation. Class B insulation.

Hp	RPM	NEMA Frame	Catalog Number	List Price	Mult. Sym.	"C" Dim.	Aprx. Wt. (lb)	Voltage	Full Load Amps	S.F.	EISA Status (a)	Notes (a)
1/4	1800	48	RL144A	237	C1	10.46	17	115/230	2.2	1.25	C	30
1/3	1800	56YZ	RL245A	255	C1	11.09	19	115/230	2.7	1.15	C	30
	3600	48	RL324A	232	C1	11.09	23	115/230	3.5	1.15	C	30
1/2	1800	48Z	RL344A	291	C1	12.34	25	115/230	3.6	1.25	C	30
		56	RL345A	293	C1	12.57	25	115/230	3.6	1.25	C	30
3/4	1800	56	RL445A	311	C1	13.07	33	115/230	5.3	1.25	C	30
	3600	56YZ	RL525A	328	C1	12.60	30	115/230	5.9	1.25	C	30
1	1800	56	RL545A	393	C1	12.04	32	115/230	6.5	1.15	C	30

(a) See notes on inside back flap.

General Information

Premium Efficient Super-E@ Motors

Single Phase Motors

General Purpose Industrial Motors

Severe Duty Motors

Washdown Duty Motors

Explosion Proof Motors

Pump Motors

Light Industrial/Commercial Motors

HVAC Motors

## HVAC Blower, Three Phase, OPAO

1/3 thru 1-1/2 Hp

NEMA 48 and 56H

**Applications:** Heating, ventilation, and air conditioning blowers. Designed for continuous air-over applications with moderate starting loads.



**Features:** 40°C ambient, 60 Hertz, aluminum endplates, automatic thermal overloads, ball bearings. Termination panel with quick connection for easier installation. Resilient cushion rings on a rugged steel base. Reversible rotation. Class B insulation.

Hp	RPM	NEMA Frame	Catalog Number	List Price	Mult. Sym.	"C" Dim.	Aprx. Wt. (lb)	Voltage	Full Load Amps	S.F.	EISA Status <sup>(a)</sup>	Notes <sup>(a)</sup>
1/3	1800	48	RHM244A	232	C1	10.46	18	230/460	0.8	1.25	C	30
	1200	48	RHM265A	261	C1	10.46	18	230/460	0.9	1.25	C	30
1/2	1800	56	RHM345A	278	C1	11.09	20	230/460	1.2	1.25	C	30
3/4	1800	56	RHM445A	292	C1	11.09	22	230/460	1.7	1.25	C	30
1	1800	56	RHM545A	341	C1	11.72	28	230/460	1.9	1.15	C	30
1 1/2	1800	56H	RHM645A	399	C1	12.04	34	208-230/460	2.4	1.15	C	

<sup>(a)</sup> See notes on inside back flap.

## Fan and Blower, Single Phase, Open

1/4 thru 1/2 Hp

NEMA 48 and 56

**Applications:** Air conditioning equipment, blowers, and fans. Designed for applications with moderate starting loads.



**Features:** 40°C ambient, 60 Hertz, aluminum endplates, automatic thermal overloads, and ball bearings. 1.25 service factor. Termination panel with quick connection for easier installation. Resilient cushion rings on a rugged steel base. Reversible rotation. Mounting base is notched with mounting holes for NEMA 48 and 56. Class B insulation.

Hp	RPM	NEMA Frame	Catalog Number	List Price	Mult. Sym.	"C" Dim.	Aprx. Wt. (lb)	Voltage	Full Load Amps	S.F.	EISA Status <sup>(a)</sup>	Notes <sup>(a)</sup>
1/4	1800	48	RSP1441A	207	C1	10.50	16	115	4.3	1.25	C	
1/3	1800	48	RSP2441A	220	C1	10.50	17	115	5.4	1.25	C	
		48	RSP2442A	224	C1	10.50	18	230	2.7	1.25	C	
		56	RSP2451A	223	C1	11.12	18	115	5.4	1.25	C	
		56	RSP2452A	232	C1	11.12	18	230	2.7	1.25	C	
1/2	1800	48	RSP3441A	257	C1	10.50	20	115	7.2	1.25	C	
		56	RSP3451A	260	C1	11.12	20	115	7.2	1.25	C	

<sup>(a)</sup> See notes on inside back flap.

General Information

Premium Efficient Super-E® Motors

Single Phase Motors

General Purpose Industrial Motors

Severe Duty Motors

Washdown Duty Motors

Explosion Proof Motors

Pump Motors

Light Industrial/Commercial Motors

HVAC Motors

**Direct Drive Fan,  
Single and  
Three Phase,  
TEAO**

1/4 thru 1-1/2 Hp

NEMA 48Z, 56 thru 56Z

**Applications:** Air-handling fans, confinement houses, exhaust fans, unit heaters. Designed for continuous air-over applications with moderate starting loads.

**Features:** 40°C ambient, 60 Hertz, aluminum endplates, automatic thermal overloads, ball bearings, and capacitor start (single phase). Termination panel with quick connection for easier installation. Resilient cushion rings on a rugged steel base. Reversible rotation. Class B insulation.



Hp	RPM	NEMA Frame	Catalog Number	List Price	Mult. Sym.	"C" Dim.	Aprx. Wt. (lb)	Voltage	Full Load Amps	S.F.	EISA Status (a)	Notes (a)
<b>Single Phase, Permanent Split Capacitor</b>												
1/4	1800	48Z	CHC144A	242	C1	11.46	18	115/230	1.5	1.00	C	30
	1200	48Z	CHC164A	274	C1	11.46	19	115/230	1.6	1.15	C	30
1/3	1800	48Z	CHC244A	255	C1	11.46	19	115/230	2.1	1.15	C	30
	1200	48Z	CHC264A	286	C1	11.46	26	115/230	2	1.15	C	30
1/2	1800	48Z	CHC344A	296	C1	12.09	24	115/230	2.9	1.15	C	30
		56	CHC345A	300	C1	12.84	25	115/230	2.9	1.15	C	30
	1200	48Z	CHC364A	332	C1	12.96	30	115/230	3.2	1.15	C	30
		56	CHC365A	336	C1	13.72	31	115/230	3.2	1.15	C	30
3/4	1800	56	CHC445A	322	C1	13.72	28	115/230	3.6	1.15	C	
	1200	56	CHC465A	387	C1	13.92	48	115/230	4.5	1.00	C	
1	1800	56	CHC545A	379	C1	13.04	39	115/230	4.9	1.00	C	
	1200	56	CHC565A	448	C1	13.92	48	115/230	5.3	1.00	C	20
1 1/2	1800	56	CHC645A	432	C1	13.92	49	115/230	6.8	1.00	C	
<b>Three Phase</b>												
1/4	1800	48Z	CHM144A	235	C1	11.46	18	230/460	0.5	1.25	C	30
	1200	48Z	CHM164A	285	C1	11.46	25	230/460	0.7	1.25	C	30
1/3	1800	48Z	CHM244A	247	C1	11.46	20	230/460	0.7	1.25	C	30
	1200	48Z	CHM264A	278	C1	11.46	19	230/460	0.9	1.25	C	30
1/2	1800	48Z	CHM344A	291	C1	11.46	21	230/460	1	1.25	C	30
		56Z	CHM345A	293	C1	12.21	23	230/460	1	1.25	C	30
	1200	48Z	CHM364A	324	C1	11.46	23	230/460	1.1	1.25	C	30
		56Z	CHM365A	326	C1	12.21	25	230/460	1.1	1.25	C	30
3/4	1200	56Z	CHM465A	374	C1	13.72	33	208-230/460	1.8	1.15	C	30
1	1800	56Z	CHM545A	368	C1	13.72	33	208-230/460	1.6	1.15	C	30
	1200	56	CHM565A	434	C1	13.04	39	208-230/460	1.8	1.15	C	30

(a) See notes on inside back flap.

General Information

Premium Efficient Super-E® Motors

Single Phase Motors

General Purpose Industrial Motors

Severe Duty Motors

Washdown Duty Motors

Explosion Proof Motors

Pump Motors

Light Industrial/Commercial Motors

HVAC Motors

**Incubator/Hatchery Vent Fan, Single Phase, TEAO**

**1/3 thru 1/2 Hp**

**NEMA 48Z**

**Applications:** Direct drive hatchery and incubator fans.



**Features:** 40°C ambient, 60 Hertz, aluminum endplates, automatic thermal overloads, and ball bearings. 1.0 service factor. Extended through bolts. Pilot circuit. Class B insulation.

Hp	RPM	NEMA Frame	Catalog Number	List Price	Mult. Sym.	"C" Dim.	Aprx. Wt. (lb)	Voltage	Full Load Amps	S.F.	EISA Status (a)	Notes (a)
1/3	1800	48Z	HIC264A	315	C1	10.14	18	115/230	1.9	1.00	C	
		48Z	HIC274A	315	C1	10.14	28	115/230	2	1.00	C	
1/2	1800	48Z	HIC364A	341	C1	11.11	27	115/230	2.6	1.00	C	

(a) See notes on inside back flap.

**Condenser Fan, Single Phase, OPAO, TEAO, Round Body**

**1/4 thru 1/3 Hp**

**NEMA 48YZ**

**Applications:** Condenser fans, refrigeration fans and heat pumps. Designed for continuous air-over applications with moderate starting loads.



**Features:** 6" long by 1/2" diameter shaft with two flats 90° apart, 30" leads. 60 Hertz, aluminum endplates, automatic thermal overloads, and ball bearings. Class B insulation. Reversible rotation. 1.0 service factor. 370-volt capacitor not included. 60°C ambient

Hp	RPM	NEMA Frame	Catalog Number	List Price	Mult. Sym.	"C" Dim.	Aprx. Wt. (lb)	Voltage	Full Load Amps	S.F.	Capacitor Size	EISA Status (a)	Notes (a)
<b>Permanent Split Capacitor, Multiple Flats, OPAO</b>													
1/4	1200	48YZ	CFC1614A	207	C1	14.10	20	230	1.4	1.00	5 MFD	C	30
1/3	1200	48YZ	CFC2614A	228	C1	14.35	25	230	1.9	1.00	8 MFD	C	30
<b>Permanent Split Capacitor, Multiple Flats, TEAO</b>													
1/3	1200	48YZ	CFC2642A	235	C1	14.35	24	230	1.9	1.00	8 MFD	C	30

(a) See notes on inside back flap.

TEAO = Totally Enclosed Air Over, OPAO = Open Air Over

General Information

Premium Efficient Super-E® Motors

Single Phase Motors

General Purpose Industrial Motors

Severe Duty Motors

Washdown Duty Motors

Explosion Proof Motors

Pump Motors

Light Industrial/Commercial Motors

HVAC Motors



BALDOR • RELIANCE

**Direct Drive,  
Indoor Blower,  
Single Phase,  
OPAO, Round Body**

1/4 Hp

NEMA 48YZ

**Applications:** Air handlers, evaporators and furnace blowers. Designed for continuous air-over applications with moderate starting loads.



**Features:** 6" long by 1/2" diameter shaft with two flats 90° apart, 30" leads. 60 Hertz, aluminum endplates, automatic thermal overloads, and ball bearings. 370-volt capacitor not included. Extended through bolts. Reversible rotation. 1.0 service factor. Class B insulation. 40°C ambient

Hp	RPM	NEMA Frame	Catalog Number	List Price	Mult. Sym.	"C" Dim.	Aprx. Wt. (lb)	Voltage	Full Load Amps	S.F.	Capacitor Size	EISA Status (a)	Notes (a)
<b>Permanent Split Capacitor, Multiple Flats</b>													
1/4	1200	48YZ	DDC1642A	198	C1	12.13	14	208-230	1.5	1.00	7 MFD	C	

(a) See notes on inside back flap.

**Yoke/Pedestal Fan,  
Single Phase,  
TEAO**

1/4 thru 1/2 Hp

NEMA 48YZ thru 56YZ

**Applications:** Air circulation fans. Designed for continuous air-over applications with moderate starting loads.



**Features:** 40°C ambient, 60 Hertz, aluminum endplates, automatic thermal overloads, and ball bearings. 1.0 service factor. Extended through bolts on 5.13" bolt circle for mounting fan shroud. Heavy gage steel yoke with 180° slot for wide angle rotation. Pull chain switch (2sp only) for high and low speeds. Reversible rotation. Termination panel with quick connection for easier installation.

Hp	RPM	NEMA Frame	Catalog Number	List Price	Mult. Sym.	"C" Dim.	Aprx. Wt. (lb)	Voltage	Full Load Amps	S.F.	EISA Status (a)	Notes (a)
<b>Single Speed, Permanent Split Capacitor</b>												
1/4	1800	48YZ	YPC144A	213	C1	10.48	15	115	3.5	1.00	C	
	1200	48YZ	YPC164A	235	C1	10.48	16	115	3.7	1.00	C	
1/3	1800	48YZ	YPC244A	224	C1	10.60	21	115	3.9	1.00	C	
		56YZ	YPC245A	228	C1	10.48	16	115	3.9	1.00	C	
	1200	48YZ	YPC264A	254	C1	10.48	19	115	4.7	1.00	C	
		56YZ	YPC265A	256	C1	10.48	22	115	4.7	1.00	C	
1/2	1800	48YZ	YPC344A	261	C1	10.60	20	115	5.6	1.00	C	
		56YZ	YPC345A	266	C1	10.48	20	115	5.6	1.00	C	
	1200	48YZ	YPC364A	296	C1	11.10	25	115	5.6	1.00	C	
<b>2 Speed Tapped Winding, Permanent Split Capacitor</b>												
1/4	1200/900	48YZ	YPC1624A	255	C1	12.33	22	115	3	1.00	C	
1/3	1200/900	56YZ	YPC3625A	366	C1	14.16	31	115	6.2	1.00	C	20

(a) See notes on inside back flap.

Data subject to change without notice. Contact Baldor for certified data.

General Information

Premium Efficient Super-E@ Motors

Single Phase Motors

General Purpose Industrial Motors

Severe Duty Motors

Washdown Duty Motors

Explosion Proof Motors

Pump Motors

Light Industrial/Commercial Motors

HVAC Motors

Three Phase,  
TEFC and ODP,  
Foot Mounted,  
With Internal  
AEGIS™  
Shaft Ground

1 thru 50 Hp



NEMA 143T thru 326T



**Applications:** Heating, ventilation and air conditioning blower and fan motors, pump motors, and other general purpose applications using an adjustable speed drive.

**Features:** Class H insulated motor with AEGIS™ shaft grounding ring installed internally. Regreasable ball bearings. Dynamically balanced rotors for reduced vibration and quiet operation. Suitable for mounting in any position. All models meet or exceed NEMA Premium® efficiencies, are Inverter Ready, and have a 3-year warranty.

Hp	RPM	NEMA Frame	Catalog Number	List Price	Mult. Sym.	“C” Dim.	Aprx. Wt. (lb)	Full Load Efficiency	Voltage	Full Load Amps	EISA Status (a)	Notes (a)
<b>Totally Enclosed Fan Cooled</b>												
1	1800	143T	EM3546T-G	727	L1	12.31	37	85.5	208-230/460	1.5	A	
1 1/2	1800	145T	EM3554T-G	751	L1	14.19	42	86.5	230/460	2.1	A	30
2	1800	145T	EM3558T-G	775	L1	14.19	49	86.5	208-230/460	2.7	A	
3	1800	182T	EM3611T-G	856	L1	16.15	69	89.5	230/460	4	A	30
5	1800	184T	EM3615T-G	926	L1	18.05	95	89.5	208-230/460	6.7	A	30
7 1/2	1800	213T	EM3710T-G	1,289	L1	19.02	125	91.7	230/460	9.4	A	30
10	1800	215T	EM3714T-G	1,440	L1	20.52	158	91.7	208-230/460	12	A	
15	1800	254T	EM2333T-G	2,190	L1	23.16	255	92.4	230/460	18.5	A	30
20	1800	256T	EM2334T-G	2,623	L1	23.16	291	93	230/460	24	A	30
25	1800	284T	EM4103T-G	3,408	L1	27.76	398	93.6	230/460	30	A	30
30	1800	286T	EM4104T-G	4,009	L1	27.76	433	93.6	230/460	38	A	
40	1800	324T	EM4110T-G	5,212	L1	30.28	602	94.1	230/460	48	A	30
50	1800	326T	EM4115T-G	5,676	L1	30.28	676	94.5	230/460	58	A	
<b>Open Drip Proof</b>												
1	1800	143T	EM3116T-G	652	L1	11.12	36	85.5	208-230/460	1.5	A	
1 1/2	1800	145T	EM3154T-G	677	L1	13.00	44	86.5	230/460	2.1	A	30
2	1800	145T	EM3157T-G	718	L1	13.00	46	86.5	230/460	2.8	A	30
3	1800	182T	EM3211T-G	776	L1	15.00	75	89.5	230/460	4	A	30
5	1800	184T	EM3218T-G	839	L1	16.50	85	89.5	208-230/460	6.6	A	
7 1/2	1800	213T	EM3311T-G	1,184	L1	16.32	117	91	208-230/460	9.7	A	
10	1800	215T	EM3313T-G	1,408	L1	17.45	128	91.7	208-230/460	12.5	A	
15	1800	254T	EM2513T-G	1,981	L1	21.69	217	93	230/460	17.7	A	30
20	1800	256T	EM2515T-G	2,447	L1	21.69	237	93	208-230/460	23.5	A	
25	1800	284T	EM2531T-G	2,974	L1	23.81	330	93.6	230/460	30	A	30
30	1800	286T	EM2535T-G	3,235	L1	25.06	372	94.1	230/460	35	A	30
40	1800	324T	EM2539T-G	4,191	L1	26.69	441	94.1	230/460	46	A	30
50	1800	326T	EM2543T-G	4,603	L1	27.69	472	94.5	230/460	57	A	30

(a) See notes on inside back flap.

■ Cast Iron Frame

General Information

Premium Efficient Super-E® Motors

Single Phase Motors

General Purpose Industrial Motors

Severe Duty Motors

Washdown Duty Motors

Explosion Proof Motors

Pump Motors

Light Industrial/Commercial Motors

HVAC Motors

**Fan and Blower,  
Single and  
Three Phase, ODP,  
Resilient Base**

**1/4 thru 3 Hp**

**NEMA 48 thru 56H**

**Applications:** Ventilators, summer cooling fans, band saws, drill presses, farm equipment, etc.

**Features:** Heavy-gauge steel base, ball bearings, suitable for mounting in any position. Dynamically balanced rotors for reduced vibration and quiet operation.



Hp	RPM	NEMA Frame	Catalog Number	List Price	Mult. Sym.	"C" Dim.	Aprx. Wt. (lb)	Full Load Efficiency	Voltage	Full Load Amps	EISA Status <sup>(a)</sup>	Notes <sup>(a)</sup>
<b>Single Phase</b>												
1/2	1800	56	<b>RL1304A</b>	382	K	11.59	26	62	115/230	4.2	C	2, 30, 66
		56	<b>RL1323A</b>	348	K	10.97	24	62	115/230	4	C	2, 66
3/4	3600	56	<b>RL1306A</b>	351	K	11.59	26	71	115/230	5.5	C	2, 30, 66
	1800	56H	<b>RL1307A</b>	469	K	12.97	35	68	115/230	5.1	C	30, 66
			56	<b>RL1324A</b>	377	K	12.47	31	71	115/230	5	C
1	3600	56H	<b>RL1309A</b>	404	K	11.42	34	63	115/230	7.3	C	30, 66
	1800	56H	<b>RL1310A</b>	509	K	11.42	33	66	115/230	6.7	C	2, 30, 66
1 1/2	3600	56H	<b>RL1313A</b>	521	K	12.42	39	68	115/230	9	C	30, 66
	1800	56H	<b>RL1319A</b>	616	K	12.42	42	68	115/230	9	C	30, 66
2	3600	56H	<b>RL1317A</b>	647	K	12.42	43	70	115/230	12	C	30, 66
<b>Single Phase, 277 Volt</b>												
1/3	1800	56	<b>RL1301A277</b>	393	K	10.97	23	60	277	2.5	C	66
1/2	1800	56	<b>RL1304A277</b>	409	K	11.59	26	62	277	3.6	C	66
3/4	1800	56H	<b>RL1307A277</b>	563	K	11.42	34	63	277	5.1	C	66
1	1800	56H	<b>RL1310A277</b>	579	K	12.42	42	66	277	5.4	C	66
1 1/2	1800	56H	<b>RL1319A277</b>	630	K	13.30	46	70	277	8.5	C	66
<b>Three Phase</b>												
1/4	1800	48	<b>RM3003</b>	280	K	10.34	19	64	230/460	0.7	C	30
1/3	3600	48	<b>RM3006</b>	268	K	10.34	20	72	230/460	0.7	C	30
	1800	48	<b>RM3007</b>	283	K	10.34	21	68	230/460	0.8	C	30
			56	<b>RM3104</b>	322	K	10.97	22	68	230/460	0.8	C
1/2	3600	48	<b>RM3009</b>	283	K	10.34	19	68	230/460	1	C	30
	1800	48	<b>RM3010</b>	356	K	10.34	23	74	230/460	1	C	30
			56	<b>RM3108</b>	366	K	10.97	23	74	230/460	1	C
3/4	3600	56	<b>RM3111</b>	372	K	10.97	22	74	230/460	1.3	C	30
	1800	56	<b>RM3112</b>	407	K	11.59	27	75.5	208-230/460	1.5	C	
1	3600	56	<b>RM3115</b>	393	K	10.97	24	75.5	230/460	1.8	C	30
	1800	56	<b>RM3116</b>	431	K	12.47	33	78.5	230/460	1.7	C	30
1 1/2	3600	56H	<b>RM3120</b>	478	K	12.47	31	80	208-230/460	2.3	C	
	1800	56H	<b>RM3154</b>	496	K	12.97	34	77	208-230/460	2.8	C	
2	3600	56H	<b>RM3155</b>	555	K	12.47	33	80	208-230/460	2.9	C	
	1800	56/56H	<b>RM3157</b>	536	K	12.42	37	78.5	208-230/460	3.2	C	
3	3600	56/56H	<b>RM3158</b>	574	K	12.42	39	80	208-230/460	4	C	

<sup>(a)</sup> See notes on inside back flap.

General Information

Premium Efficient Super-E® Motors

Single Phase Motors

General Purpose Industrial Motors

Severe Duty Motors

Washdown Duty Motors

Explosion Proof Motors

Pump Motors

Light Industrial/Commercial Motors

**Chiller/Cooling Tower, 5 thru 75 Hp  
Three Phase,  
TEAO**

**NEMA 184T thru 404T**

**Applications:** For use in the airstream on chillers and cooling towers.



**Features:** Class F insulated motor with 1.15 service factor or higher that operates within class “B” temperature limits at rated horsepower. Corrosion resistant epoxy finish, double sealed bearings filled with moisture resistant grease, shaft seal/slinger, moisture resistant copper windings, double dipped and baked, stainless steel nameplates and corrosion resistant hardware. Designed for wet, high humidity environments. “ECTM” model Super-E® motors have NEMA Premium® efficiency and 3 year warranty. Direct replacement for most OEM applications.

Hp	RPM	NEMA Frame	Catalog Number	List Price	Mult. Sym.	“C” Dim.	Aprx. Wt. (lb)	Full Load Efficiency	Voltage	Full Load Amps	Airflow Ft/Min	EISA Status (a)	Notes (a)
5	1800	184T	CTM3665T	965	L1	13.68	104	87.5	208-230/460	6.7	1200	C	
		184T	ECTM3665T	1,092	L1	13.68	109	90.2	208-230/460	6.5	1200	C	
	1200	215T	CTM3768T	1,463	L1	19.54	206	87.5	208-230/460	7.5	1200	C	
		215T	ECTM3768T	1,735	L1	19.54	203	90.2	230/460	7.3	1200	C	30
7 1/2	1800	213T	CTM3770T	1,285	L1	19.54	164	89.5	208-230/460	10.3	1500	C	
		213T	ECTM3770T	1,457	L1	19.54	170	91.7	208-230/460	9.5	1500	C	
	1200	254T	CTM2276T	1,785	L1	22.16	240	89.5	208-230/460	10.9	1500	C	1
		254T	ECTM2276T	2,470	L1	20.75	298	91	230/460	10.7	1500	C	30
10	1800	215T	CTM3774T	1,641	L1	19.54	170	89.5	208-230/460	13	1500	C	
		215T	ECTM3774T	1,955	L1	19.54	231	92.4	208-230/460	12.5	1500	C	
	1200	256T	CTM2332T	1,987	L1	20.75	269	89.5	230/460	14.4	1500	C	30
		256T	ECTM2332T	2,822	L1	20.75	282	91	230/460	14.4	1500	C	30
15	1800	254T	CTM2333T	2,179	L1	22.16	236	91	208-230/460	18.5	1500	C	
		254T	ECTM2333T	2,596	L1	20.75	255	92.4	230/460	18.5	1500	C	30
	1200	284T	CTM4100T	3,169	L1	25.63	375	90.2	230/460	21	1500	C	30
		284T	ECTM4100T	3,763	L1	25.63	421	91.7	230/460	19.5	1500	C	30
20	1800	256T	CTM2334T	2,430	L1	23.91	276	91	230/460	25	1500	C	30
		256T	ECTM2334T	2,895	L1	20.75	286	93	230/460	24	1500	C	30
	1200	286T	CTM4102T	3,829	L1	25.63	416	90.2	230/460	27	1500	C	30
		286T	ECTM4102T	5,011	L1	25.63	420	92.4	230/460	26	1500	C	30
25	1800	284T	CTM4103T	2,946	L1	25.78	322	92.4	230/460	29	1500	C	30
		284T	ECTM4103T	3,564	L1	25.63	417	93.6	230/460	30	1500	C	30
	1200	324T	CTM4111T	4,619	L1	28.25	451	91.7	230/460	33	1500	C	30
		324T	ECTM4111T	5,669	L1	28.38	537	93	230/460	32	1500	C	30
30	1800	286T	CTM4104T	3,536	L1	25.78	321	92.4	230/460	36	1500	C	30
		286T	ECTM4104T	4,230	L1	25.63	492	94.1	230/460	36	1500	C	30
	1200	326T	CTM4117T	5,603	L1	28.25	460	91.7	230/460	39	1500	C	30
		326T	ECTM4117T	6,550	L1	28.38	592	93	230/460	39	1500	C	30
40	1800	324T	CTM4110T	4,703	L1	28.38	536	93	230/460	47	2000	C	30
		324T	ECTM4110T	5,531	L1	28.38	592	94.1	230/460	48	1500	C	30
	1200	364T	CTM4308T	6,207	L1	30.60	810	93	230/460	49	2000	C	30
		364T	ECTM4308T	8,161	L1	30.60	831	94.1	230/460	50.5	2000	C	30
50	1800	326T	CTM4115T	5,552	L1	28.25	540	93	230/460	60	2000	C	30
		326T	ECTM4115T	6,613	L1	28.38	635	94.5	230/460	57	2000	C	30
	1200	365T	CTM4312T	7,877	L1	30.60	782	93	230/460	61	2000	C	30
		365T	ECTM4312T	9,862	L1	30.60	851	94.1	230/460	61	2000	C	30
60	1800	364T	CTM4314T	7,512	L1	30.60	810	93.6	230/460	71	2000	C	30
		364T	ECTM4314T	8,697	L1	30.60	808	95	230/460	69	2000	C	30
	1200	404T	CTM4403T	9,944	L1	34.19	1038	93.6	230/460	72	2000	C	30
		404T	ECTM4403T	11,971	L1	34.68	1114	94.5	230/460	72.5	2000	C	
75	1800	365T	CTM4316T	9,031	L1	30.60	841	94.1	230/460	87	2000	C	30
		365T	ECTM4316T	10,170	L1	30.60	832	95.4	230/460	86.5	2000	C	30

(a) See notes on inside back flap.  
 ■ Cast Iron Frame

General Information

Premium Efficient Super-E® Motors

Single Phase Motors

General Purpose Industrial Motors

Severe Duty Motors

Washdown Duty Motors

Explosion Proof Motors

Pump Motors

Light Industrial/Commercial Motors

HVAC Motors

**BALDOR • RELIANCE**

**Chiller/Cooling Tower, 3 thru 100 Hp  
Three Phase,  
Two Speed,  
TEFC**

**182T thru 405T**

**Applications:** High moisture environment fan motor for mounting in the air stream of cooling towers.



**Features:** High efficiency severe duty multi-speed axial fan motors. Class F insulation, 1.15 service factor. Lip seal, shaft slinger, and T-drain in both ends. Electrical design is single winding variable torque. Double shielded ball bearings. Burndy type YA compression lead lugs.

Hp	RPM	NEMA Frame	Catalog Number	List Price	Mult. Sym.	"C" Dim.	Aprx. Wt. (lb)	Full Load Efficiency (b)	Voltage	Full Load Amps	EISA Status (a)	Notes (a)
3/7.5	1800/900	182T	CTM1757T	1,868	L1	17.12	143	82.5	460	3.6	C	
5/1.25	1800/900	184T	CTM1758T	2,089	L1	17.12	152	84	460	6	C	
7.5/1.88	1800/900	213T	CTM1759T	2,621	L1	19.31	206	87.5	460	8.7	C	
10/2.5	1800/900	215T	CTM1760T	3,046	L1	19.31	204	89.5	460	12	C	
15/3.75	1800/900	254T	CTM1761T	3,863	L1	24.56	315	90.2	460	15	C	
20/5	1800/900	256T	CTM1762T	4,667	L1	24.56	365	90.2	460	24.4	C	
25/6.25	1800/900	284T	CTM1763T	5,430	L1	27.44	435	91	460	25	C	
30/7.5	1800/900	286T	CTM1764T	6,233	L1	27.44	455	91	460	36.6	C	
40/10	1800/900	324T	CTM1765T	8,183	L1	30.16	630	92.4	460	48	C	
50/12.5	1800/900	326T	CTM1766T	9,654	L1	30.16	608	90.2	460	63	C	
60/15	1800/900	364T	CTM1767T	13,982	L1	33.44	865	92.4	460	69.6	C	
75/18.75	1800/900	365T	CTM1768T	17,519	L1	33.44	899	93.6	460	87.3	C	
100/25	1800/900	405T	CTM1769T	21,599	L1	38.31	1260	94.5	460	110	C	

(a) See notes on inside back flap.

(b) Full load efficiency is at 1800 RPM and low speed efficiency is not published.

■ Cast Iron Frame

**Three Phase, ODP,  
Resilient Base**

**1/2 thru 3 Hp**

**NEMA 56 thru 145TY**

**Applications:** Heating, ventilation and air conditioning blower and fan motors.



**Features:** Heavy-gauge steel base, ball bearings, automatic thermal overload. Suitable for mounting in any position. Dynamically balanced rotors for reduced vibration and quiet operation.

Hp	RPM	NEMA Frame	Catalog Number	List Price	Mult. Sym.	"C" Dim.	Aprx. Wt. (lb)	Full Load Efficiency	Voltage	Full Load Amps	EISA Status (a)	Notes (a)
1/2	1800	56H	RM3108A	429	K	11.97	24	74	230/460	1	C	30, 36
	3600	56H	RM3111A	432	K	11.97	23	74	230/460	1.3	C	30, 36
3/4	1800	56H	RM3112A	462	K	11.97	27	74	230/460	1.5	C	30, 36
	3600	56H	RM3115A	454	K	11.59	25	75.5	230/460	1.6	C	30, 36
1	1800	56/56H	RM3116A	481	K	11.42	30	77	208-230/460	1.6	C	36
	3600	56H	RM3120A	514	K	11.97	30	81.5	230/460	2	C	30, 36
1 1/2	1800	56H	RM3154A	511	K	11.42	33	78.5	208-230/460	2.4	C	36
	3600	56/56H	RM3155A	595	K	12.47	33	80	230/460	2.7	C	30, 36
2	1800	56H	RM3157A	586	K	12.42	40	81.5	208-230/460	2.9	C	36
	3600	56HZ	RM3158TA	589	K	12.76	45	81.5	208-230/460	4	D	37
3	145TY	ERM3158TA	702	K	13.64	52	85.5	208-230/460	3.7	A		
	1800	56HZ	RM3161TA	640	K	15.01	55	82.5	208-230/460	4.1	D	37

(a) See notes on inside back flap.



**Super-E and Standard-E, Three Phase, ODP, Foot Mounted**

**1 thru 100 Hp**

**NEMA 143T thru 404T**

**Applications:** Heating, ventilation and air conditioning blower and fan motors.



**Features:** Class F insulated motor with 1.15 service factor or higher that operates within class “B” temperature limits at rated horsepower. Heavy-gauge steel frame construction, ball bearings, grease passages have plugs. Dynamically balanced rotors for reduced vibration and quiet operation. Suitable for mounting in any position. “EHM” models meet NEMA Premium® efficiencies, Inverter Ready and have a 3-year warranty. “HM” models meet EPAct efficiencies. Includes lifting provisions on all frame sizes and bar-coded spec number label.

Hp	RPM	NEMA Frame	Catalog Number	List Price	Mult. Sym.	“C” Dim.	Aprx. Wt. (lb)	Full Load Efficiency	Voltage	Full Load Amps	EISA Status (a)	Notes (a)
<b>230/460 Volt, F1 Mounting</b>												
1	1800	143T	<b>EHM3116T</b>	570	LS	11.12	34	85.5	208-230/460	1.4	A	
		143T	<b>HM3116T</b>	361	LS	11.12	31	82.5	208-230/460	1.6	D	
1 1/2	1800	145T	<b>EHM3154T</b>	592	LS	13.00	44	86.5	208-230/460	2.1	A	
		145T	<b>HM3154T</b>	382	LS	11.12	39	84	208-230/460	2.4	D	
2	1800	145T	<b>EHM3157T</b>	636	LS	13.00	46	86.5	208-230/460	2.7	A	
		145T	<b>HM3157T</b>	414	LS	11.62	41	84	208-230/460	3.2	D	
3	1800	182T	<b>EHM3211T</b>	683	LS	15.00	75	89.5	208-230/460	4	A	
		182T	<b>HM3211T</b>	447	LS	14.63	49	86.5	208-230/460	4	D	
5	1800	184T	<b>EHM3218T</b>	742	LS	16.50	82	89.5	208-230/460	6.6	A	
		184T	<b>HM3218T</b>	487	LS	15.00	68	87.5	208-230/460	6.9	D	
7 1/2	1800	213T	<b>EHM3311T</b>	1,081	LS	16.32	114	91	208-230/460	9.6	A	
		213T	<b>HM3311T</b>	677	LS	17.00	92	88.5	208-230/460	10	D	
10	1800	215T	<b>EHM3313T</b>	1,302	LS	17.45	124	91.7	208-230/460	12.5	A	
		215T	<b>HM3313T</b>	848	LS	16.32	108	89.5	208-230/460	13.4	D	
15	1800	254T	<b>EHM2523T</b>	1,839	LS	21.69	234	93	208-230/460	17.7	A	
		254T	<b>HM2523T</b>	1,305	LS	19.75	159	91	208-230/460	19	D	
20	1800	256T	<b>EHM2515T</b>	2,303	LS	21.69	255	93	230/460	23.5	A	30
		256T	<b>HM2515T</b>	1,558	LS	22.25	235	91.7	230/460	24	D	30
25	1800	284T	<b>EHM2531T</b>	2,802	LS	23.81	330	93.6	230/460	30	A	30
		284T	<b>HM2531T</b>	1,926	LS	23.44	226	91.7	230/460	30	D	30
30	1800	286T	<b>EHM2535T</b>	3,063	LS	25.06	379	94.1	230/460	35	A	30
		286T	<b>HM2535T</b>	2,224	LS	24.94	249	92.4	230/460	36	D	30
40	1800	324T	<b>EHM2539T</b>	3,988	LS	26.69	523	94.1	230/460	46	A	30
		324T	<b>HM2539T</b>	2,866	LS	26.19	340	93	230/460	47.5	D	30
50	1800	326T	<b>EHM2543T</b>	4,893	LS	27.69	515	94.5	230/460	57	A	30
		326T	<b>HM2543T</b>	3,322	LS	27.19	378	93	230/460	60.5	D	30
60	1800	364T	<b>EHM2547T</b>	5,533	LS	29.94	557	95	208-230/460	68	A	
		364T	<b>HM2547T</b>	4,100	LS	27.94	479	93.6	230/460	72.5	D	30
75	1800	365T	<b>EHM2551T</b>	6,787	LS	33.72	616	95	230/460	85	A	
		365T	<b>HM2551T</b>	5,021	LS	29.94	544	94.1	230/460	88	D	30
100	1800	404T	<b>EHM2555T</b>	7,737	LS	36.97	552	95.4	208-230/460	113	A	
		404T	<b>HM2555T</b>	6,375	LS	35.22	618	94.1	230/460	119	D	30

(a) See notes on inside back flap.

General Information

Premium Efficient Super-E® Motors

Single Phase Motors

General Purpose Industrial Motors

Severe Duty Motors

Washdown Duty Motors

Explosion Proof Motors

Pump Motors

Light Industrial/Commercial Motors

HVAC Motors

Super-E and Standard-E, Three Phase, ODP, Foot Mounted

Hp	RPM	NEMA Frame	Catalog Number	List Price	Mult. Sym.	"C" Dim.	Aprx. Wt. (lb)	Full Load Efficiency	Voltage	Full Load Amps	EISA Status (a)	Notes (a)
<b>230/460 Volt, F2 Mounting</b>												
1	1800	143T	EHF3116T	570	LS	11.12	33	85.5	208-230/460	1.4	A	
		143T	HFM3116T	364	LS	11.12	31	82.5	208-230/460	1.6	D	
1 1/2	1800	145T	EHF3154T	592	LS	13.00	41	86.5	208-230/460	2.1	A	
		145T	HFM3154T	386	LS	11.12	36	84	208-230/460	2.4	D	
2	1800	145T	EHF3157T	636	LS	13.00	46	86.5	208-230/460	2.7	A	
		145T	HFM3157T	418	LS	11.62	41	84	208-230/460	3.2	D	
3	1800	182T	EHF3211T	683	LS	15.00	72	89.5	208-230/460	4	A	
		182T	HFM3211T	451	LS	14.00	49	86.5	208-230/460	4.2	D	
5	1800	184T	EHF3218T	742	LS	16.50	82	89.5	208-230/460	6.6	A	
		184T	HFM3218T	491	LS	15.00	66	87.5	208-230/460	6.9	D	
7 1/2	1800	213T	EHF3311T	1,081	LS	16.32	112	91	208-230/460	9.7	A	
		213T	HFM3311T	684	LS	17.00	92	88.5	208-230/460	10	D	
10	1800	215T	EHF3313T	1,302	LS	17.45	134	91.7	208-230/460	12.5	A	
		215T	HFM3313T	856	LS	16.32	111	89.5	208-230/460	13.4	D	
15	1800	254T	EHF2523T	1,839	LS	21.69	245	93	208-230/460	17.7	A	
		254T	HFM2523T	1,281	LS	19.75	157	91	208-230/460	19	D	
20	1800	256T	EHF2515T	2,303	LS	21.69	245	93	230/460	23.5	A	30
		256T	HFM2515T	1,559	LS	21.69	229	91	230/460	25	D	30
25	1800	284T	EHF2531T	2,802	LS	23.81	330	93.6	230/460	30	A	30
		284T	HFM2531T	1,890	LS	23.44	226	91.7	230/460	30	D	30
30	1800	286T	EHF2535T	3,063	LS	25.06	379	94.1	230/460	35	A	30
		286T	HFM2535T	2,183	LS	24.94	255	92.4	230/460	36	D	30
40	1800	324T	EHF2539T	3,988	LS	26.69	479	94.1	230/460	46	A	30
		324T	HFM2539T	2,814	LS	26.19	365	93	230/460	47.5	D	30
50	1800	326T	EHF2543T	4,893	LS	27.69	505	94.5	230/460	57	A	30
		326T	HFM2543T	3,261	LS	27.19	369	93	230/460	60.5	D	30
60	1800	364T	EHF2547T	5,533	LS	30.69	563	95	230/460	68	A	30
		364T	HFM2547T	4,025	LS	27.94	479	93.6	230/460	72.5	D	30
75	1800	365T	EHF2551T	6,787	LS	33.72	616	95	230/460	85	A	
		365T	HFM2551T	4,928	LS	29.94	544	94.1	230/460	88	D	30
100	1800	404T	EHF2555T	7,737	LS	36.97	552	95.4	208-230/460	113	A	
		404T	HFM2555T	6,259	LS	35.22	618	94.1	230/460	119	D	30
<b>200 Volt</b>												
1	1800	143T	EHM3116T-8	570	LS	11.12	34	85.5	200	3.2	B	30
1 1/2	1800	145T	EHM3154T-8	592	LS	12.12	44	86.5	200	4.8	B	30
2	1800	145T	EHM3157T-8	636	LS	13.00	46	86.5	200	6.1	B	30
3	1800	182T	EHM3211T-8	683	LS	15.00	72	89.5	200	9.3	B	
5	1800	184T	EHM3218T-8	742	LS	15.00	73	89.5	200	15	B	
7 1/2	1800	213T	EHF3311T-8	1,081	LS	16.32	108	91	200	22.2	B	6
		213T	EHM3311T-8	1,081	LS	16.32	108	91	200	22.2	B	
10	1800	215T	EHM3313T-8	1,302	LS	17.45	124	91.7	200	29.5	B	
15	1800	254T	EHM2523T-8	1,839	LS	21.69	234	93	200	40.7	B	
20	1800	256T	EHM2515T-8	2,303	LS	21.69	250	93	200	54.3	B	
25	1800	284T	EHM2531T-8	2,802	LS	23.81	330	93.6	200	69.5	B	
30	1800	286T	EHM2535T-8	3,063	LS	25.06	379	94.1	200	81	B	30
40	1800	324T	EHM2539T-8	3,988	LS	26.69	523	94.1	200	107	B	30
50	1800	326T	EHM2543T-8	4,893	LS	27.69	515	94.5	200	132	B	30
<b>575 Volt</b>												
3	1800	182T	EHM3211T-5	683	LS	15.00	66	89.5	575	3.1	A	
5	1800	184T	EHM3218T-5	742	LS	15.00	70	89.5	575	5.2	A	
10	1800	215T	EHM3313T-5	1,302	LS	17.45	123	91.7	575	10	A	
15	1800	254T	EHM2523T-5	1,839	LS	21.69	234	93	575	14.1	A	
20	1800	256T	EHM2515T-5	2,303	LS	21.69	250	93	575	18.9	A	
25	1800	284T	EHM2531T-5	2,802	LS	23.81	330	93.6	575	24.2	A	

(a) See notes on inside back flap.

**Three Phase,  
TEFC,  
Foot Mounted**

**2 thru 40 Hp**

**NEMA 145T thru 324T**

**Applications:** Heating, ventilation and air conditioning blower and fan motors.



**Features:** Class F Insulation, 1.15 service factor, ball bearings with plugged grease passages, heavy-gauge steel and cast-iron frames, dynamically balanced rotors for reduced vibration and quiet operation. Suitable for mounting in any position. All models meet or exceed NEMA Premium® efficiencies, are Inverter Ready, and have a 3-year warranty. Includes bar-coded spec number label.

Hp	RPM	NEMA Frame	Catalog Number	List Price	Mult. Sym.	"C" Dim.	Aprx. Wt. (lb)	Full Load Efficiency	Voltage	Full Load Amps	EISA Status (a)	Notes (a)
<b>230/460 Volt</b>												
1	1800	143T	<b>EHM3546T</b>	643	LS	13.31	37	85.5	230/460	1.5	A	1, 30
1 1/2	1800	145T	<b>EHM3554T</b>	646	LS	14.19	48	86.5	230/460	2.1	A	1, 30
2	1800	145T	<b>EHM3558T</b>	692	LS	13.29	45	86.5	208-230/460	2.9	A	
3	1800	182T	<b>EHM3611T</b>	762	LS	16.54	72	89.5	208-230/460	4.1	A	
5	1800	184T	<b>EHM3615T</b>	833	LS	18.05	95	89.5	230/460	6.5	A	30
7 1/2	1800	213T	<b>EHM3710T</b>	1,190	LS	19.03	122	91.7	208-230/460	9.4	A	
10	1800	215T	<b>EHM3714T</b>	1,343	LS	20.52	158	91.7	208-230/460	12.5	A	
15	1800	254T	<b>EHM2333T</b>	2,055	LS	23.16	238	92.4	208-230/460	18.5	A	
20	1800	256T	<b>EHM2334T</b>	2,487	LS	23.16	303	93	208-230/460	24	A	
25	1800	284T	<b>EHM4103T</b>	3,246	LS	27.76	437	93.6	208-230/460	30	A	
30	1800	286T	<b>EHM4104T</b>	3,847	LS	27.76	460	93.6	208-230/460	38	A	
40	1800	324T	<b>EHM4110T</b>	5,023	LS	30.28	642	94.1	208-230/460	48	A	
50	1800	326T	<b>EHM4115T</b>	5,471	LS	30.28	676	94.5	230/460	58	A	1, 30
<b>575 Volt</b>												
1	1800	143T	<b>EHM3546T-5</b>	643	LS	13.31	37	85.5	575	1.1	A	1
1 1/2	1800	145T	<b>EHM3554T-5</b>	646	LS	14.19	48	86.5	575	1.6	A	1
2	1800	145T	<b>EHM3558T-5</b>	692	LS	13.29	45	86.5	575	2.2	A	1
3	1800	182T	<b>EHM3611T-5</b>	762	LS	16.54	72	89.5	575	3.1	A	1
5	1800	184T	<b>EHM3615T-5</b>	833	LS	18.05	95	89.5	575	5.2	A	1
7 1/2	1800	213T	<b>EHM3710T-5</b>	1,190	LS	19.03	122	91.7	575	8.2	A	1
10	1800	215T	<b>EHM3714T-5</b>	1,343	LS	20.52	158	91.7	575	10.1	A	1
15	1800	254T	<b>EHM2333T-5</b>	2,055	LS	23.16	238	92.4	575	14.8	A	1
20	1800	256T	<b>EHM2334T-5</b>	2,487	LS	23.16	303	93	575	19.2	A	1
25	1800	284T	<b>EHM4103T-5</b>	3,246	LS	27.76	437	93.6	575	23.7	A	1
30	1800	286T	<b>EHM4104T-5</b>	3,847	LS	27.76	460	93.6	575	29	A	1
40	1800	324T	<b>EHM4110T-5</b>	5,023	LS	30.28	642	94.1	575	38.1	A	1
50	1800	326T	<b>EHM4115T-5</b>	5,471	LS	30.28	676	94.5	575	46.7	A	1

(a) See notes on inside back flap.

■ Cast Iron Frame

General Information

Premium Efficient Super-E® Motors

Single Phase Motors

General Purpose Industrial Motors

Severe Duty Motors

Washdown Duty Motors

Explosion Proof Motors

Pump Motors

Light Industrial/Commercial Motors

HVAC Motors

**Three Phase, ODP**

**1/4 thru 5 Hp**

**NEMA 56 thru 184T**

**Applications:** Ventilators, direct-drive or belted fan and ventilation applications.



**Features:** Heavy-gauge steel base, ball bearings, suitable for mounting in any position. Dynamically balanced rotors for reduced vibration and quiet operation.

Hp	RPM	NEMA Frame	Catalog Number	List Price	Mult. Sym.	"C" Dim.	Aprx. Wt. (lb)	Full Load Efficiency	Voltage	Full Load Amps	EISA Status <sup>(a)</sup>	Notes <sup>(a)</sup>	
<b>Foot Mounted</b>													
1/2	1800	56	<b>HM3108</b>	305	K	9.51	22	74	230/460	1	C	1, 30	
		56	<b>HM3108A</b>	391	K	10.34	23	74	230/460	1	C	30	
3/4	1800	56	<b>HM3112</b>	337	K	10.97	26	75.5	208-230/460	1.5	C		
		56	<b>HM3112A</b>	431	K	10.97	26	74	230/460	1.5	C	30	
1	1800	56HZ	<b>HM3116</b>	380	K	12.13	32	78.5	230/460	1.7	D	30	
1 1/2	1800	56HZ	<b>HM3154</b>	437	K	12.13	36	81.5	208-230/460	2.2	D		
		56HZ	<b>HM3154A</b>	524	K	12.13	33	81.5	208-230/460	2.2	D		
2	1800	56HZ	<b>HM3157</b>	459	K	12.13	39	81.5	208-230/460	2.9	D		
		56HZ	<b>HM3157A</b>	546	K	12.13	40	81.5	208-230/460	2.9	D		
3	1800	56HZ	<b>HM3161A</b>	595	K	13.00	47	82.5	208-230/460	4.1	D		
		184T	<b>EHM3218TA</b>	948	L1	16.50	82	89.5	208-230/460	6.6	A		
5	1800	184T	<b>HM3218TA</b>	672	L1	15.00	72	87.5	208-230/460	7	D		
		184T	<b>HM3218TA</b>	672	L1	15.00	72	87.5	208-230/460	7	D		
<b>Resilient Base</b>													
1/4	1800	48	<b>RHM3003</b>	267	K	10.34	19	64	230/460	0.7	C	30	
1/3	1800	48	<b>RHM3007</b>	271	K	10.34	17	68	230/460	0.8	C	30	
		56	<b>RHM3104</b>	306	K	10.97	21	68	230/460	0.8	C	30	
1/2	1800	48	<b>RHM3010</b>	339	K	10.34	22	72	230/460	1	C	30	
		56	<b>RHM3108</b>	351	K	10.97	24	74	230/460	1	C	30	
		56H	<b>RHM3108A</b>	406	K	11.59	24	74	230/460	1	C	30	
3/4	3600	56H	<b>RHM3111A</b>	409	K	11.59	23	74	230/460	1.3	C	30	
		1800	56	<b>RHM3112</b>	387	K	12.47	31	77	230/460	1.2	C	30
			56H	<b>RHM3112A</b>	437	K	11.59	26	74	230/460	1.5	C	30
1	3600	56	<b>RHM3115</b>	375	K	10.97	24	75.5	230/460	1.8	C	30	
		56H	<b>RHM3115A</b>	433	K	11.59	24	75.5	230/460	1.6	C	30	
	1800	56	<b>RHM3116</b>	407	K	12.47	32	78.5	230/460	1.7	C	30	
		56H	<b>RHM3116A</b>	461	K	12.47	33	78.5	230/460	1.7	C	30	
1 1/2	3600	56H	<b>RHM3120A</b>	489	K	12.47	32	81.5	230/460	2	C	30	
		1800	56H	<b>RHM3154</b>	469	K	11.42	37	81.5	208-230/460	2.2	C	
			56H	<b>RHM3154A</b>	474	K	11.42	38	81.5	208-230/460	2.2	C	
2	3600	56H	<b>RHM3155A</b>	567	K	12.47	33	80	230/460	2.7	C	30	
		1800	56H	<b>RHM3157</b>	510	K	12.42	38	81.5	208-230/460	2.9	C	
			56H	<b>RHM3157A</b>	546	K	12.42	38	81.5	208-230/460	2.9	C	
3	3600	56H	<b>RHM3158</b>	628	K	12.42	42	82.5	208-230/460	3.8	C		
		1800	145T	<b>RHM3161TA</b>	602	L1	15.04	60	86.5	208-230/460	4	D	1
5	3600	56HZ	<b>RHM3162TA</b>	844	K	13.64	53	80	208-230/460	6.5	D	1	
		145TY	<b>ERHM3162TA</b>	1,003	L1	15.02	55	86.5	208-230/460	5.6	A		

<sup>(a)</sup> See notes on inside back flap.

General Information

Premium Efficient Super-E® Motors

Single Phase Motors

General Purpose Industrial Motors

Severe Duty Motors

Washdown Duty Motors

Explosion Proof Motors

Pump Motors

Light Industrial/Commercial Motors

HVAC Motors

**Variable Torque,  
Three Phase, TEFC**

**1/2 thru 75 Hp**

**NEMA 56 thru 365T**

**Applications:** Heating, ventilation and air conditioning blower and fan motors.



**Features:** Heavy-gauge steel frame construction (1-10 hp), ball bearings, 1.15 service factor. Dynamically balanced rotors for reduced vibration and quiet operation. Suitable for mounting in any position. “HM” models meet EPart efficiencies. “EHM” models are above EPart efficiency, but do not meet NEMA Premium® efficiencies. H3M and EH3M motors use low profile top-mounted conduit box.

Hp	RPM	NEMA Frame	Catalog Number	List Price	Mult. Sym.	“C” Dim.	Aprx. Wt. (lb)	Full Load Efficiency	Voltage	Full Load Amps	EISA Status (a)	Notes (a)
<b>F1 Mounting</b>												
1	1800	56HZ	HM9110T	395	LS	13.22	34	78.5	208-230/460	1.7	D	
		143T	EHM9110T	639	LS	13.31	35	84	208-230/460	1.5	D	1
1 1/2	1800	145T	EHM9114T	666	LS	13.31	43	85.5	208-230/460	2	D	1
		145T	HM9114T	402	LS	13.31	40	84	208-230/460	2.4	D	
2	1800	145T	EHM9118T	691	LS	14.19	51	85.5	208-230/460	2.7	D	1
		145T	HM9118T	422	LS	13.31	42	84	208-230/460	3.1	D	
3	1800	182T	EHM9122T	777	LS	16.79	74	88.5	208-230/460	3.9	D	1
		182T	HM9122T	499	LS	16.52	63	87.5	208-230/460	4.2	D	
5	1800	184T	EHM9126T	850	LS	18.29	92	88.5	230/460	6.4	D	1, 30
		184T	HM9126T	570	LS	16.79	75	87.5	230/460	7.1	D	30
7 1/2	1800	213T	EHM9129T	1,224	LS	19.03	115	91.7	208-230/460	9.4	D	1
		213T	HM9129T	730	LS	17.91	128	89.5	208-230/460	10.1	D	1
10	1800	215T	EHM9132T	1,381	LS	19.03	126	90.2	208-230/460	12.8	D	1
		215T	HM9132T	892	LS	19.03	127	89.5	208-230/460	13.5	D	1
15	1800	254T	HM9135T	1,524	LS	21.12	236	91	208-230/460	18.5	D	1
20	1800	256T	EHM9139T	2,582	LS	23.28	265	91.7	230/460	24	D	1, 30
		256T	HM9139T	1,881	LS	22.82	269	91	230/460	25	D	1, 30
25	1800	284T	EHM9142T	3,379	LS	27.76	403	93	230/460	30	D	1
		284T	HM9142T	2,335	LS	25.97	416	92.4	230/460	29	D	1, 30
30	1800	286T	EHM9146T	4,012	LS	27.76	353	93	230/460	36	D	1
		286T	HM9146T	2,714	LS	26.08	322	92.4	230/460	36	D	1, 30
40	1800	324T	EHM9149T	5,244	LS	30.40	579	93.6	230/460	46	D	1
		324T	HM9149T	3,623	LS	30.39	455	93	230/460	47	D	1
50	1800	326T	EHM9152T	5,730	LS	30.40	611	93.6	230/460	58	D	1
		326T	HM9152T	3,779	LS	30.40	566	93	230/460	59	D	1, 30
60	1800	364T	EHM9155T	9,164	LS	32.84	808	94.1	230/460	70	D	1
		364T	HM9155T	5,659	LS	32.84	753	93.6	230/460	70	D	1, 30
75	1800	365T	HM9158T	6,991	LS	32.84	810	94.1	230/460	86	D	1, 30
<b>F3 Mounting</b>												
1/2	3600	56	EH3M9101	463	LS	11.35	21	72	230/460	1	D	2, 28
		56	H3M9101	296	LS	11.35	21	68	230/460	1	D	28
1/2	1800	56	EH3M9102	453	LS	11.35	27	76	230/460	1	D	28
		56	H3M9102	321	LS	11.35	24	74	230/460	1	D	28
3/4	3600	56	EH3M9104	506	LS	11.35	24	81.5	230/460	1	D	1, 28
		56	H3M9104	327	LS	11.35	24	75.5	230/460	1.2	D	28
3/4	1800	56	H3M9105	406	LS	11.35	27	75.5	208-230/460	1.5	D	
		56	EH3M9106	496	LS	11.35	25	77	230/460	1.4	D	1, 28
1	3600	56	H3M9106	382	LS	11.35	24	75.5	230/460	1.8	D	28
		56HZ	H3M9110	410	LS	13.22	31	78.5	208-230/460	1.7	D	
1	1800	143T	EH3M9110T	639	LS	12.31	34	84	208-230/460	1.5	D	1
		143T	EH3M9112T	656	LS	13.31	42	84	208-230/460	1.9	D	1
1 1/2	3600	143T	H3M9112T	511	LS	13.31	42	82.5	208-230/460	2.1	D	
		145T	EH3M9114T	666	LS	13.31	39	85.5	208-230/460	2	D	1
1 1/2	1800	145T	H3M9114T	406	LS	13.31	40	84	208-230/460	2.4	D	

(a) See notes on inside back flap.

■ Cast Iron Frame

General Information

Premium Efficient Super-E® Motors

Single Phase Motors

General Purpose Industrial Motors

Severe Duty Motors

Washdown Duty Motors

Explosion Proof Motors

Pump Motors

Light Industrial/Commercial Motors

HVAC Motors



**Variable Torque, Three Phase, TEFC**

Hp	RPM	NEMA Frame	Catalog Number	List Price	Mult. Sym.	"C" Dim.	Aprx. Wt. (lb)	Full Load Efficiency	Voltage	Full Load Amps	EISA Status <sup>(a)</sup>	Notes <sup>(a)</sup>
2	3600	145T	EH3M9117T	719	LS	14.19	49	86.5	230/460	2.4	D	1, 28
		145T	H3M9117T	587	LS	13.31	41	84	208-230/460	2.6	D	
	1800	145T	EH3M9118T	691	LS	14.19	51	85.5	208-230/460	2.7	D	1
		145T	H3M9118T	425	LS	13.31	45	84	208-230/460	3.1	D	
3	3600	182T	EH3M9121T	798	LS	15.14	56	86.5	208-230/460	3.6	D	1
		182T	H3M9121T	619	LS	15.14	68	85.5	208-230/460	3.7	D	1
	1800	182T	EH3M9122T	777	LS	16.79	75	88.5	208-230/460	3.9	D	1
		182T	H3M9122T	503	LS	16.52	68	87.5	208-230/460	4.2	D	
5	3600	184T	EH3M9125T	881	LS	16.79	70	88.5	208-230/460	5.6	D	1
		184T	H3M9125T	713	LS	16.79	69	87.5	208-230/460	5.8	D	1
	1800	184T	EH3M9126T	850	LS	18.29	92	88.5	230/460	6.4	D	1, 28
		184T	H3M9126T	575	LS	16.79	78	87.5	230/460	7.1	D	28
7 1/2	3600	213T	EH3M9128T	1,323	LS	17.91	116	89.5	208-230/460	8.6	D	1
		213T	H3M9128T	1,048	LS	18.55	105	88.5	208-230/460	8.7	D	1
	1800	213T	EH3M9129T	1,224	LS	19.03	113	91.7	208-230/460	9.4	D	1
		213T	H3M9129T	738	LS	17.91	116	89.5	208-230/460	10.1	D	1
10	1800	215T	EH3M9132T	1,381	LS	19.03	137	90.2	208-230/460	12.8	D	1
		215T	H3M9132T	900	LS	19.03	128	89.5	208-230/460	13.5	D	1
15	3600	254T	H3M9133T	1,740	LS	21.57	158	90.2	208-230/460	17	D	1
	1800	254T	EH3M9135T	2,130	LS	23.57	242	91.7	230/460	18.3	D	1, 28
		254T	H3M9135T	1,538	LS	22.07	187	91	208-230/460	19.4	D	
20	1800	256T	EH3M9139T	2,582	LS	23.57	248	91.7	230/460	23	D	1, 28
		256T	H3M9139T	1,899	LS	23.57	250	91	230/460	24	D	1, 28

<sup>(a)</sup> See notes on inside back flap.

General Information

Premium Efficient Super-E® Motors

Single Phase Motors

General Purpose Industrial Motors

Severe Duty Motors

Washdown Duty Motors

Explosion Proof Motors

Pump Motors

Light Industrial/Commercial Motors

HVAC Motors

**Variable Torque,  
Three Phase, ODP**

**1/2 thru 75 Hp**

**NEMA 56 thru 365T**

**Applications:** Heating, ventilation and air conditioning blower and fan motors.



**Features:** Heavy-gauge steel frame construction, ball bearings, 1.15 service factor. Dynamically balanced rotors for reduced vibration and quiet operation. Suitable for mounting in any position. “HM” models meet EPCo efficiencies. “EHM” models are above EPCo efficiency, but do not meet NEMA Premium® efficiencies. H3M and EH3M motors use low profile top-mounted conduit box.

Hp	RPM	NEMA Frame	Catalog Number	List Price	Mult. Sym.	“C” Dim.	Aprx. Wt. (lb)	Full Load Efficiency	Voltage	Full Load Amps	EISA Status (a)	Notes (a)
<b>F1 Mounting</b>												
1	1800	56HZ	HM9210	353	LS	12.13	31	78.5	230/460	1.7	D	30
1 1/2	1800	145T	EHM9214T	533	LS	11.62	37	85.5	208-230/460	2.1	D	1
		145T	HM9214T	374	LS	11.12	36	84	208-230/460	2.4	D	
2	1800	145T	EHM9218T	629	LS	12.13	42	85.5	208-230/460	2.7	D	1
		145T	HM9218T	405	LS	11.62	39	84	208-230/460	3.2	D	
3	1800	182T	EHM9222T	676	LS	15.38	63	87.5	208-230/460	4.2	D	1
		182T	HM9222T	439	LS	14.63	60	86.5	208-230/460	4	D	
5	1800	184T	EHM9226T	740	LS	16.50	81	88.5	230/460	6.7	D	1, 30
		184T	HM9226T	484	LS	15.00	68	87.5	208-230/460	6.9	D	
7 1/2	1800	213T	EHM9229T	1,088	LS	17.45	117	91.7	208-230/460	9.4	D	1
		213T	HM9229T	674	LS	17.00	95	88.5	208-230/460	10	D	
10	1800	215T	EHM9232T	1,318	LS	16.32	143	90.2	208-230/460	13.4	D	1
		215T	HM9232T	845	LS	16.32	117	89.5	208-230/460	13.4	D	
15	1800	254T	EHM9235T	1,866	LS	20.50	187	91.7	208-230/460	19.2	D	1
		254T	HM9235T	1,266	LS	19.75	165	91	208-230/460	19	D	
20	1800	256T	HM9239T	1,541	LS	22.25	235	91.7	230/460	24	D	30
25	1800	284T	HM9242T	1,869	LS	23.44	226	91.7	230/460	30	D	30
30	1800	286T	EHM9246T	3,126	LS	25.06	339	93	230/460	37	D	1, 30
		286T	HM9246T	2,159	LS	24.94	280	92.4	230/460	36	D	30
40	1800	324T	HM9249T	2,785	LS	26.19	350	93	230/460	47.5	D	30
50	1800	326T	EHM9252T	4,501	LS	27.19	380	93.6	230/460	62	D	1, 30
		326T	HM9252T	3,227	LS	27.19	500	93	230/460	60.5	D	30
60	1800	364T	HM9255T	3,984	LS	27.94	523	93.6	230/460	72.5	D	30
75	1800	365T	HM9258T	4,878	LS	29.94	544	94.1	230/460	88	D	30
<b>F3 Mounting</b>												
1/2	3600	56	H3M9201	253	LS	10.25	20	68	230/460	1	D	28, 30
	1800	56	EH3M9202	376	LS	10.25	24	80	230/460	0.9	D	28, 30
3/4	3600	56	H3M9202	284	LS	10.25	22	74	230/460	1	D	1, 28, 30
		56	EH3M9204	377	LS	10.88	25	81.5	230/460	1	D	1, 28, 30
1	1800	56	H3M9204	298	LS	10.25	24	78.5	230/460	1.1	D	28, 30
		56	EH3M9105	472	LS	11.97	31	78.5	230/460	1.2	D	28
1 1/2	3600	56	H3M9206	342	LS	10.88	27	77	208-230/460	1.6	D	
		56HZ	H3M9210	356	LS	12.13	33	78.5	230/460	1.7	D	28, 30
2	1800	143T	EH3M9210T	564	LS	11.12	37	84	208-230/460	1.5	D	1
		143T	H3M9212T	414	LS	11.12	32	82.5	208-230/460	2	D	
3	1800	145T	EH3M9214T	586	LS	11.62	39	85.5	208-230/460	2.1	D	1
		145T	H3M9214T	378	LS	11.12	39	84	208-230/460	2.4	D	
2	3600	145T	EH3M9217T	648	LS	11.62	43	85.5	208-230/460	2.5	D	1
		145T	H3M9217T	457	LS	11.62	41	84	208-230/460	2.6	D	
3	1800	145T	EH3M9218T	629	LS	12.13	45	85.5	208-230/460	2.7	D	1
		145T	H3M9218T	410	LS	11.62	43	84	208-230/460	3.2	D	
3	3600	145T	EH3M9221T	656	LS	13.00	48	85.5	208-230/460	3.7	D	1
		145T	H3M9221T	485	LS	12.13	47	84	208-230/460	3.7	D	
3	1800	182T	H3M9222T	443	LS	14.00	39	86.5	208-230/460	4.2	D	

(a) See notes on inside back flap.

General Information

Premium Efficient Super-E® Motors

Single Phase Motors

General Purpose Industrial Motors

Severe Duty Motors

Washdown Duty Motors

Explosion Proof Motors

Pump Motors

Light Industrial/Commercial Motors

HVAC Motors

Variable Torque, Three Phase, ODP

Hp	RPM	NEMA Frame	Catalog Number	List Price	Mult. Sym.	"C" Dim.	Aprx. Wt. (lb)	Full Load Efficiency	Voltage	Full Load Amps	EISA Status (a)	Notes (a)
5	3600	182T	EH3M9225T	718	LS	14.63	59	86.5	230/460	6	D	1, 28, 30
		182T	H3M9225T	502	LS	14.00	55	85.5	208-230/460	6.1	D	
	1800	184T	EH3M9226T	740	LS	16.50	78	88.5	230/460	6.7	D	1, 28, 30
		184T	H3M9226T	488	LS	15.00	69	87.5	208-230/460	6.9	D	
7 1/2	3600	184T	EH3M9228T	1,137	LS	15.00	77	89.5	230/460	8.3	D	1, 28, 30
		184T	H3M9228T	691	LS	15.00	66	87.5	208-230/460	8.7	D	
	1800	213T	EH3M9229T	1,088	LS	17.45	117	91.7	208-230/460	9.4	D	1
		213T	H3M9229T	681	LS	17.00	94	88.5	208-230/460	10	D	
10	3600	213T	EH3M9231T	1,296	LS	16.32	116	89.5	208-230/460	12	D	1
		213T	H3M9231T	867	LS	16.32	107	88.5	208-230/460	11.6	D	
	1800	215T	EH3M9232T	1,318	LS	16.32	142	90.2	208-230/460	13.4	D	1
		215T	H3M9232T	853	LS	16.32	110	89.5	208-230/460	13.4	D	
15	3600	215T	EH3M9233T	1,846	LS	17.45	140	91	230/460	16.2	D	1, 28, 30
		215T	H3M9233T	1,265	LS	16.32	125	89.5	208-230/460	17.5	D	
	1800	254T	EH3M9235T	1,866	LS	20.50	187	91.7	208-230/460	19.2	D	1
		254T	H3M9235T	1,278	LS	19.75	158	91	208-230/460	19	D	
20	3600	254T	EH3M9238T	1,617	LS	19.75	170	90.2	208-230/460	22	D	
		256T	EH3M9238T	2,167	LS	21.69	186	91	230/460	23.5	D	1, 28, 30
	1800	256T	EH3M9239T	2,345	LS	21.69	242	91.7	230/460	25	D	1, 28, 30
		256T	H3M9239T	1,556	LS	22.25	235	91.7	230/460	24	D	28, 30
25	3600	256T	H3M9241T	1,953	LS	21.69	221	91	230/460	29	D	28, 30
		284T	EH3M9242T	2,857	LS	23.81	312	92.4	230/460	32	D	1, 28, 30
	1800	284T	H3M9242T	1,887	LS	23.44	252	91.7	230/460	30	D	28, 30
		284TS	EH3M9244T	3,070	LS	23.56	250	91.7	230/460	33	D	1, 28, 30
30	3600	284TS	H3M9244T	2,069	LS	22.06	235	91	230/460	35	D	28, 30
		286T	EH3M9246T	3,126	LS	25.06	339	93	230/460	37	D	1, 28, 30
	1800	286T	H3M9246T	2,180	LS	24.94	249	92.4	230/460	36	D	28, 30
		286TS	EH3M9248T	3,959	LS	23.56	288	92.4	230/460	45	D	1, 28, 30
40	3600	286TS	H3M9248T	2,915	LS	23.56	251	91.7	230/460	46	D	28, 30
		324T	EH3M9249T	4,078	LS	27.19	378	93.6	230/460	48	D	1, 28, 30
	1800	324T	H3M9249T	2,811	LS	26.19	339	93	230/460	47.5	D	28, 30
		326T	H3M9252T	3,258	LS	27.19	378	93	230/460	60.5	D	28, 30
50	1800	364T	H3M9255T	4,022	LS	27.94	475	93.6	230/460	72.5	D	28, 30
60	1800	365T	EH3M9258T	6,959	LS	30.69	553	94.5	230/460	86	D	1, 28, 30
		365T	H3M9258T	4,925	LS	29.94	544	94.1	230/460	88	D	28, 30

(a) See notes on inside back flap.

General Information

Premium Efficient Super-E® Motors

Single Phase Motors

General Purpose Industrial Motors

Severe Duty Motors

Washdown Duty Motors

Explosion Proof Motors

Pump Motors

Light Industrial/Commercial Motors

HVAC Motors

**(PSC) -  
Direct Drive Fan,  
Single Phase, TEAO**

**1/4 thru 3/4 Hp**

**NEMA 48Z thru 56Z**

**Applications:** Confinement houses, exhaust fans, air handling fans, unit heaters.



**Features:** Double sealed ball bearings, rugged steel frame, corrosion resistant epoxy finish. 1" extended thru bolts. Permanent split capacitor.

Hp	RPM	NEMA Frame	Catalog Number	List Price	Mult. Sym.	"C" Dim.	Aprx. Wt. (lb)	Full Load Efficiency	Voltage	Full Load Amps	EISA Status (a)	Notes (a)
<b>Resilient Base</b>												
1/4	1800	48Z	CHC3413A	351	K	11.35	22	54	115/230	2.4	C	2, 29
	1200	48Z	CHC3414A	415	K	11.97	25	51	115/230	2.2	C	2, 29
1/3	1800	48Z	CHC3416A	382	K	11.97	25	56	115/230	2.8	C	2, 29
	1200	48Z	CHC3417A	478	K	11.97	27	54	115/230	2.8	C	2, 29
1/2	1800	56Z	CHC3524A	429	K	13.59	28	67	115/230	3.4	C	2, 74
		56Z	CHL3523A	429	K	12.72	28	68	115/230	3.7	C	3, 30, 74
	1200	56Z	CHC3525A	549	K	13.54	40	62	115/230	3.6	C	2, 74
		900	56Z	CHC3526A	679	K	14.42	47	50	115/230	4.6	C
3/4	1200	56Z	CHC3528A	650	K	14.42	50	71	115/230	4.5	C	2, 74
<b>Foot Mounted</b>												
1/4	1800	48Z	PSC3413A	352	K	11.34	20	65.5	115/230	1.3	C	2, 29
1/3	1800	48Z	PSC3416A	391	K	11.34	21	62	115/230	1.8	C	2, 29
1/2	1800	48Z	PSC3524A	429	K	11.96	24	65	115/230	3	C	2, 29

(a) See notes on inside back flap.

**Condenser Fan,  
Three Phase, ODP,  
"Belly Band"  
Round Body**

**1/2 thru 1-1/2 Hp**

**NEMA 48YZ thru 56YZ**

**Applications:** Designed specifically for use on commercial refrigeration condenser units and air conditioning units.



**Features:** Corrosion resistant finish, ball bearings, dynamically balanced for quiet operation. Automatic reset thermal. Shaft 6" long - keyway and flat are 90° apart. Reconnectable leads in pulley endplate.

Hp	RPM	NEMA Frame	Catalog Number	List Price	Mult. Sym.	"C" Dim.	Aprx. Wt. (lb)	Full Load Efficiency	Voltage	Full Load Amps	EISA Status (a)	Notes (a)
1/2	1200	48YZ	CFM3036A	499	K	14.29	25	72	208-230/460	1.2	C	2, 20
		56YZ	CFM3136A	516	K	15.30	30	70	208-230/460	1.2	C	
3/4	1200	48YZ	CFM3046A	541	K	16.02	34	77	208-230/460	1.5	C	2, 20
		56YZ	CFM3146A	558	K	15.55	33	75.5	208-230/460	1.4	C	
1	1200	56YZ	CFM3156A	636	K	16.55	37	75.5	208-230/460	1.7	C	1
1 1/2	1200	56YZ	CFM3166A	692	K	17.43	47	76	208-230/460	2.5	C	

(a) See notes on inside back flap.

General Information

Premium Efficient Super-E® Motors

Single Phase Motors

General Purpose Industrial Motors

Severe Duty Motors

Washdown Duty Motors

Explosion Proof Motors

Pump Motors

Light Industrial/Commercial Motors

HVAC Motors

**BALDOR • RELIANCE**

**Three Phase,  
TEAO,  
Foot Mounted**

**1/4 thru 10 Hp**

**NEMA 48 thru 254T**

**Applications:** "In the Airstream" and fan-on-shaft applications.



**Features:** Locked drive end bearing construction, bearings sized for larger overhung loads for fan-on-shaft applications. 36" leads.

Hp	RPM	NEMA Frame	Catalog Number	List Price	Mult. Sym.	"C" Dim.	Aprx. Wt. (lb)	Full Load Efficiency	Voltage	Full Load Amps	Airflow Ft/Min	EISA Status (a)	Notes (a)
1/4	1800	48	AOM3454	297	K	9.63	19	64	230/460	0.7	800	C	2, 20, 30
	1200	48	AOM3455	466	K	9.63	20	68	230/460	0.7	800	C	2, 20
1/3	1800	48	AOM3458	331	K	9.63	19	68	230/460	0.9	800	C	2, 20, 30
	1200	56	AOM3535	491	K	10.25	25	70	208-230/460	0.9	800	C	2, 20
1/2	1800	56	AOM3538	389	K	10.25	21	70	208-230/460	1.1	1000	C	2, 20
	1200	56	AOM3539	529	K	10.88	25	72	208-230/460	1.2	1000	C	2, 20
3/4	1800	56	AOM3542	419	K	10.25	23	72	208-230/460	1.6	1000	C	2, 20
	1200	56	AOM3543	544	K	11.75	32	77	208-230/460	1.5	1000	C	2, 20
1	1800	143T	AOM3546T	436	L1	11.81	32	75.5	208-230/460	1.8	1000	C	2
	1200	145T	AOM3556T	552	L1	12.12	35	75.5	208-230/460	1.7	1125	C	2
	900	182T	AOM3617T	1,068	L1	13.62	56	74	208-230/460	2.2	825	C	2
1 1/2	1800	145T	AOM3554T	454	L1	11.12	31	75.5	208-230/460	2.7	1500	C	2, 20
	1200	182T	AOM3607T	631	L1	13.62	48	78.5	208-230/460	2.5	1250	C	2, 20
2	1800	145T	AOM3558T	481	L1	11.12	35	81.5	208-230/460	2.8	1500	C	2, 20
	1200	184T	AOM3614T	677	L1	13.62	56	80	208-230/460	3.2	1250	C	2, 20
	900	213T	AOM3702T	1,621	L1	16.32	88	82.5	208-230/460	3.5	700	C	2
3	1800	182T	AOM3611T	564	L1	13.62	55	81.5	208-230/460	4.3	1650	C	2, 20
	1200	213T	AOM3704T	848	L1	16.32	90	77	208-230/460	5	1275	C	2, 20
	900	215T	AOM3705T	1,772	L1	17.44	112	86.5	208-230/460	5.2	850	C	2, 20
5	1800	184T	AOM3615T	652	L1	15.00	71	85.5	230/460	6.6	1650	C	1
	1200	215T	AOM3708T	1,214	L1	16.32	111	82.5	208-230/460	7.5	1275	C	2, 20
	900	254T	AOM25904T	2,816	L1	19.63	213	82.5	230/460	8.9	900	C	1, 30
7 1/2	1800	213T	AOM3710T	836	L1	16.32	108	87.5	208-230/460	10.9	1700	C	1
10	1800	215T	AOM3714T	1,014	L1	17.45	125	89.5	208-230/460	13.5	1700	C	2, 20

(a) See notes on inside back flap.

**Condenser Fan,  
Three Phase,  
TEAO**



**Applications:** Condenser fan motor for use on commercial freezers in food processing plants.



**Features:** Totally Enclosed Air Over, low temperature grease, double sealed ball bearings, additional auxiliary 50 Hz data nameplate.

Hp	RPM	NEMA Frame	Catalog Number	List Price	Mult. Sym.	"C" Dim.	Aprx. Wt. (lb)	Full Load Efficiency	Voltage	Full Load Amps	EISA Status (a)	Notes (a)
1/2	1200	56	M3539-TP	551	K	11.68	28	70	208-230/460	1.2	C	

(a) See notes on inside back flap.



**Single Phase, TEFC**

**1/3 thru 10 Hp**

**NEMA 56 thru 215T**

**Applications:** Wide variety of agri-duty and industrial applications.



**Features:** Ball bearings, lubricated with high temperature moisture-resistant grease. Condensation drains, gasketed cast conduit boxes. Farm Duty epoxy paint protects motor from harsh environments.

Hp	RPM	NEMA Frame	Catalog Number	List Price	Mult. Sym.	“C” Dim.	Aprx. Wt. (lb)	Full Load Efficiency	Voltage	Full Load Amps	EISA Status <sup>(a)</sup>	Notes <sup>(a)</sup>
<b>Foot Mounted</b>												
1/3	1800	56	FDL3501M	368	K	11.35	23	60	115/230	3	C	30
1/2	1800	56	FDL3504M	432	K	11.97	28	68	115/230	3.7	C	30, 52
3/4	1800	56	FDL3507M	509	K	13.35	38	74	115/230	4.4	C	52
1	1800	56H	FDL3510M	578	K	12.93	40	67	115/230	6.5	C	30, 52
		143T	FDL3510TM	578	L1	13.29	38	67	115/230	6.5	C	30, 52
1 1/2	1800	56H	FDL3514M	652	K	13.81	48	75.5	115/230	9	C	2, 52
		145T	FDL3514TM	652	L1	14.17	48	75.5	115/230	9	C	2, 52
<b>C-Face, Foot Mounted</b>												
1/3	1800	56C	CFDL3501M	498	K	11.35	24	60	115/230	3	C	30
1/2	1800	56C	CFDL3504M	571	K	11.97	29	68	115/230	3.7	C	30, 52
3/4	1800	56C	CFDL3507M	665	K	13.35	37	74	115/230	4.4	C	52
1	1800	56CH	CFDL3510M	753	K	13.25	38	67	115/230	6.5	C	30, 52
1 1/2	1800	56CH	CFDL3514M	848	K	14.12	48	75.5	115/230	9	C	2, 52
2	1800	56CHZ	CFDL3516TM	1,078	K	14.19	53	78	230	8.3	C	1, 52
<b>C-Face, Footless</b>												
1/3	1800	56C	VFDL3501M	479	K	11.35	23	60	115/230	3	C	30
1/2	1800	56C	VFDL3504M	551	K	11.97	28	68	115/230	3.7	C	30, 52
3/4	1800	56C	VFDL3507M	642	K	13.35	38	74	115/230	4.4	C	52
1	1800	56C	VFDL3510M	729	K	14.12	39	67	115/230	6.5	C	30, 52
1 1/2	1800	56C	VFDL3514M	827	K	14.12	47	75.5	115/230	9	C	2, 52
<b>Foot Mounted, Extra High Torque</b>												
2	1800	56HZ	FDL3516TM	927	K	14.19	51	78	230	8.3	C	1, 52
		182T	FDL3611TM	1,041	L1	16.55	75	75	115/230	14	C	2, 52
		184	FDL3611M	1,069	L1	15.68	75	74	115/230	12.4	C	2, 52
3	1800	184	FDL3610M	1,272	L1	17.18	89	80	230	15.5	C	2, 20, 52
		184T	FDL3610TM	1,241	L1	18.05	93	80	230	15.5	C	2, 20, 52
		184T	FDL3619TM	996	L1	16.54	81	81.5	230	13.2	C	2, 20, 52
5	1800	184T	FDL3612TM	1,304	L1	18.05	99	80	230	23	C	2, 20, 52
		215	FDL3731M	1,601	L1	18.64	125	84	230	20.5	C	2, 20, 52
7 1/2	1800	213	FDL3732M	1,847	L1	18.65	142	84	230	30	C	2, 20, 52
		213T	FDL3733TM	1,698	L1	19.02	139	84	230	30	C	2, 20, 52
10	1800	215T	FDL3712TM	1,868	L1	20.77	160	84	230	40	C	2, 20, 52, 89
		215T	FDL3737TM	1,990	L1	21.27	162	86.5	230	39	C	2, 20, 52, 89
<b>C-Face, Footless, Extra High Torque</b>												
2	1800	145TC	VFDL3516TM	1,076	L1	14.17	52	78	230	8.3	C	1, 52
3	1800	184TC	VFDL3610TM	1,458	L1	18.05	97	80	230	15.5	C	2, 20, 52
5	1800	184TC	VFDL3612TM	1,784	L1	18.33	100	80	230	23	C	2, 20, 52

<sup>(a)</sup> See notes on inside back flap.

**Grain Dryer/  
Centrifugal Fan,  
Single and  
Three Phase,  
TEFC and ODP**

**5 thru 50 Hp**

**NEMA 184TZ thru 326TZ**

**Applications:** High pressure grain drying and storage for commercial and farm applications.

**Features:** Shaft length is 1" longer than NEMA standard. Screens to protect against entry of trash, snakes and rodents. Three phase ratings meet EPAct efficiencies.



Hp	RPM	NEMA Frame	Catalog Number	List Price	Mult. Sym.	"C" Dim.	Aprx. Wt. (lb)	Full Load Efficiency	Voltage	Full Load Amps	EISA Status (a)	Notes (a)
<b>Single Phase, Open Drip Proof</b>												
5	1800	184TZ	<b>GDL1605T</b>	1,431	L1	19.06	98	80	230	22.5	C	2, 20
7 1/2	1800	215TZ	<b>GDL1607T</b>	1,882	L1	22.57	161	82.5	230	32	C	1
10	1800	215TZ	<b>GDL1610T</b>	2,178	L1	22.85	164	84	230	40	C	2, 20
16	1800	256TZ	<b>GDL1615T</b>	3,240	L1	24.19	288	86.5	208-230	62	C	2, 20
<b>Three Phase, Open Drip Proof</b>												
5	1800	184TZ	<b>GDM3218T</b>	791	L1	16.00	69	87.5	208-230/460	6.9	C	
7 1/2	1800	213TZ	<b>GDM3311T</b>	1,123	L1	18.00	92	88.5	208-230/460	10	C	
10	1800	215TZ	<b>GDM3313T</b>	1,361	L1	17.32	129	89.5	208-230/460	13.4	C	
15	1800	254TZ	<b>GDM2513T</b>	1,675	L1	21.00	172	91	208-230/460	19	C	1
20	1800	254TZ	<b>GDM2515T</b>	2,206	L1	23.25	165	91.7	230/460	24	C	30
25	1800	284TZ	<b>GDM2531T</b>	2,710	L1	24.44	329	91.7	230/460	31	C	30
30	1800	284TZ	<b>GDM2535T</b>	3,152	L1	25.94	351	92.4	230/460	36	C	30
<b>Three Phase, Totally Enclosed Fan Cooled</b>												
3	1800	182TZ	<b>GDM3611T</b>	793	L1	16.14	59	84	208-230/460	4.1	C	1
5	1800	184TZ	<b>GDM3615T</b>	918	L1	17.55	77	85.5	208-230/460	6.6	C	1
7 1/2	1800	213TZ	<b>GDM3710T</b>	1,169	L1	18.90	115	89.5	208-230/460	10.1	C	1
10	1800	215TZ	<b>GDM3714T</b>	1,886	L1	20.03	139	89.5	208-230/460	13.5	C	1
15	1800	254TZ	<b>GDM2333T</b>	2,493	L1	22.07	231	89.5	208-230/460	18.9	C	1
20	1800	256TZ	<b>GDM2334T</b>	2,669	L1	23.83	322	91	230/460	25	C	1, 30
25	1800	284TZ	<b>GDM4103T</b>	3,798	L1	26.93	322	92.4	230/460	29	C	1, 30
30	1800	286TZ	<b>GDM4104T</b>	4,485	L1	26.93	322	92.4	230/460	36	C	1, 30
40	1800	324TZ	<b>GDM4110T</b>	5,956	L1	31.39	485	93	230/460	47	C	1
50	1800	326TZ	<b>GDM4115T</b>	6,169	L1	31.28	552	91	230/460	60	C	1, 30

(a) See notes on inside back flap.

■ Cast Iron Frame

Farm Duty Motors

Definite Purpose Motors

Unit Handling Motors

Brake Motors

200 & 575 Volt Motors

IEC Frame Motors

50 Hertz Motors

Inverter/Vector Motors & Controls

DC Motors and Controls

Soft Start & Dynamic Brakes

**Grain Dryer/Vane  
Axial Fan,  
Single and  
Three Phase,  
TEAO and OPAO**

**1.5 thru 15 Hp**

**NEMA 145TZ thru 215Z**

**Applications:** Vane axial fan crop dryers.

**Features:** Shaft 3/4" longer than NEMA standard, shaft keyed, drilled and tapped with internal 1/4-20 tap 1" deep. Thermostats. Epoxy paint.



Hp	RPM	NEMA Frame	Catalog Number	List Price	Mult. Sym.	"C" Dim.	Aprx. Wt. (lb)	Full Load Efficiency	Voltage	Full Load Amps	EISA Status (a)	Notes (a)
<b>Single Phase, Totally Enclosed Air Over</b>												
1.5/3	3600	145TZ	<b>UCLE153</b>	950	L1	14.25	52	85.5	230	12.5	C	1, 30
3/4.5	3600	145TZ	<b>UCLE3145</b>	973	L1	15.62	60	82.5	230	12.5	C	2, 20
5/7.5	3600	182TZ	<b>UCLE570</b>	1,185	L1	16.88	94	84	230	20.5	C	2, 8
7.5/10	3600	182TZ	<b>UCLE7510</b>	1,281	L1	16.88	92	85.5	230	38	C	2, 20, 30
10/15	3600	215Z	<b>UCLE1015</b>	1,985	L1	18.56	160	89	230	46	C	2, 20
<b>Single Phase, Open Air Over</b>												
1.5/3	3600	145TZ	<b>UCL153</b>	864	L1	14.25	51	77	230	13.6	C	2, 20
3/4.5	3600	145TZ	<b>UCL3145</b>	919	L1	15.62	60	77.8	230	14.3	C	2, 20
		182Z	<b>UCL345</b>	957	L1	14.88	70	74	230	22	C	2, 20
5/7.5	3600	182TZ	<b>UCL570</b>	1,131	L1	16.88	93	80	230	35	C	2, 20
7.5/10	3600	182TZ	<b>UCL710</b>	1,213	L1	16.88	92	85	230	31	C	2, 20
7.5/10.5		215Z	<b>UCL7510</b>	1,536	L1	17.44	105	81	230	37	C	2, 20
10/15	3600	215Z	<b>UCL1015</b>	1,950	L1	17.81	134	84	230	44	C	2, 20
<b>Three Phase, Totally Enclosed Air Over</b>												
1.5/3	3600	145TZ	<b>UCME153</b>	668	L1	13.37	42	80	208-230/460	4.1	C	2, 20
3/4.5	3600	143TZ	<b>UCME3145</b>	706	L1	13.37	45	84.5	208-230/460	6	C	2, 8
		182Z	<b>UCME345</b>	754	L1	14.88	65	85.5	208-230/460	6	C	2, 20
5/7.5	3600	184TZ	<b>UCME570</b>	887	L1	15.38	66	84	230/460	9	C	2, 20, 30
7.5/10	3600	184TZ	<b>UCME7510</b>	1,040	L1	16.88	82	86.5	230/460	11.5	C	2, 20, 30
7.5/9.2		184TZ	<b>UCME759</b>	1,040	L1	16.88	85	89.5	208-230/460	8.5	C	2, 20
10/14	3600	215Z	<b>UCME1014</b>	1,328	L1	16.69	120	87.5	208-230/460	16.5	C	2, 20
<b>Three Phase, Open Air Over</b>												
1.5/3	3600	145TZ	<b>UCM153</b>	585	L1	13.37	39	80	208-230/460	4.1	C	2, 20
3/4.5	3600	143TZ	<b>UCM3145</b>	655	L1	13.37	45	81.5	208-230/460	6	C	2, 20
		182Z	<b>UCM345</b>	681	L1	14.25	54	84	208-230/460	5.8	C	2, 20
5/7.5	3600	184TZ	<b>UCM575</b>	836	L1	15.38	64	84	230/460	9.5	C	2, 20
7.5/10	3600	184TZ	<b>UCM713</b>	1,000	L1	16.88	86	84	208-230/460	12	C	2
10/15	3600	215Z	<b>UCM1014</b>	1,286	L1	16.69	101	85.5	208-230/460	18	C	2, 20

(a) See notes on inside back flap.

Farm Duty Motors

Definite Purpose Motors

Unit Handling Motors

Brake Motors

200 & 575 Volt Motors

IEC Frame Motors

50 Hertz Motors

Inverter/Vector Motors & Controls

DC Motors and Controls

Soft Starters & Dynamic Brakes

**Universal Crop Dryer, 3 thru 15 Hp  
Single Phase,  
PSC (switchless),  
TEAO and OPAO**

**NEMA 184Z thru 215Z**

**Applications:** Specifically engineered for use on vane axial fan crop dryers.



**Features:** TEAO design prevents entrance of rodents, insects and other foreign matter. High full load efficiency for reduced operating cost. No mechanical switch to wear. No noise and vibration from regeneration. Less sensitive to voltage variations. Soft start. Thermostats. Epoxy paint. 1.00 Service Factor. Class F insulation.

Hp	RPM	NEMA Frame	Catalog Number	List Price	Mult. Sym.	"C" Dim.	Aprx. Wt. (lb)	Full Load Efficiency	Voltage	Full Load Amps	EISA Status (a)	Notes (a)
<b>Totally Enclosed Air Over</b>												
3/4.5	3600	184Z	UCCE345	969	L1	14.88	72	82	230	13	C	
5/7.5	3600	184TZ	UCCE570	1,116	L1	16.88	83	84	230	19	C	
7.5/9.2	3600	184TZ	UCCE759	1,229	L1	16.88	90	85.5	230	29	C	
7.5/10.5		215Z	UCCE7510	1,547	L1	17.44	106	84	230	30	C	
13	3600	215Z	UCCE130	1,954	L1	18.57	140	85	230	50	C	
<b>Open Air Over</b>												
5/7.5	3600	184TZ	UCCE5700	1,014	L1	15.38	71	79	230	19.5	C	
7.5/10	3600	184TZ	UCCE7100	1,114	L1	16.88	80	85.5	230	28	C	
10/15	3600	215Z	UCCE10150	2,106	L1	18.57	128	83	230	41	C	

(a) See notes on inside back flap.

**Irrigation  
Tower Drive,  
Three Phase,  
TENV**

**1 Hp**

**NEMA 56**

**Applications:** Irrigation tower drive motors.



**Features:** Sealed fit at endplates. Sheds water. Conduit box cast into front endplate. Epoxy paint. High overload capabilities. The "P" indicates less pulley endplate for integral mounting; can be field modified for older designs with internal thru bolts. Operable at 50/60 Hz. 1.00 service factor.

Hp	RPM	NEMA Frame	Catalog Number	List Price	Mult. Sym.	"C" Dim.	Aprx. Wt. (lb)	Full Load Efficiency	Voltage	Full Load Amps	EISA Status (a)	Notes (a)
<b>No Endplate, Footless</b>												
1	1800	56YZ	IM3540A-P	623	K	11.02	38	79	460	1.8	C	19,60
<b>C-Face, Footless</b>												
1	1800	56C	IM3540A	642	K	13.27	41	79	460	1.8	C	19,60

(a) See notes on inside back flap.

Gearboxes not included in price.

**Auger Drive,  
Single Phase,  
TEFC, Flange Mount,  
Capacitor Start**

**1/3 thru 1-1/2 Hp**

**NEMA 56N Flange**

**Applications:** Poultry feed auger drive systems.



**Features:** Mechanical protection of centrifugal switch to prevent damage to motor in case of overspeed. Manual reset thermal protection mounted in oversize conduit box. Farm Duty epoxy paint and thermal cover protect motor from harsh environments. Extended shaft (fan end) with wrench flats for manual jogging of auger. NEMA 56N flange connects to the drive/gear box assembly. Gear reducer is assembled to motor. High efficiency design. Moisture resistant 200°C copper windings. Stator and steel frame dipped and baked in 100% solid polyester non-hygroscopic varnish. Heavy duty Type 1 capacitor.

Hp	RPM	NEMA Frame	Catalog Number	List Price	Mult. Sym.	"C" Dim.	Aprx. Wt. (lb)	Full Load Efficiency	Voltage	Full Load Amps	EISA Status (a)	Notes (a)
1/3	1800	48YZ	ANFL3501M	460	K	12.44	24	60	115/230	3	C	30
1/2	1800	48YZ	ANFL3504M	516	K	12.44	28	68	115/230	3.7	C	30
3/4	1800	48YZ	ANFL3507M	602	K	13.32	35	74	115/230	4.1	C	30
1	1800	56YZ	ANFL3510M	743	K	13.55	41	67	115/230	6.5	C	30
1 1/2	1800	56YZ	ANFL3514M	1,104	K	14.43	47	75.5	115/230	9	C	2, 30

(a) See notes on inside back flap.

**Grain Stirring,  
Single Phase,  
TEFC, Foot Mounted**

**1-1/2 Hp**

**NEMA 56Z**

**Applications:** Inside bin grain stirring systems.



**Features:** Corrosion resistant epoxy finish, slotted fan cover designed to prevent clogging. Manual thermal with cover. 1.00 service factor, Class F insulation.

Hp	RPM	NEMA Frame	Catalog Number	List Price	Mult. Sym.	"C" Dim.	Aprx. Wt. (lb)	Full Load Efficiency	Voltage	Full Load Amps	EISA Status (a)	Notes (a)
1 1/2	1800	56Z	GSL3509M	684	K	12.29	42	80	230	6.4	C	

(a) See notes on inside back flap.

Farm Duty Motors

Definite Purpose Motors

Unit Handling Motors

Brake Motors

200 & 575 Volt Motors

IEC Frame Motors

50 Hertz Motors

Inverter/Vector Motors & Controls

DC Motors and Controls

Soft Starters & Dynamic Brakes

**Instant Reversing,  
Single Phase,  
TEFC, Foot Mounted**

**3/4 thru 2 Hp**

**NEMA 56 thru 184**

**Applications:** Farm applications such as barn cleaners, bulk feeders and industrial applications.



**Features:** Farm Duty epoxy paint protects motor from harsh environments. Manual thermal with cover mounted in conduit box for protection, ball bearings, condensation drains, heavy-gauge steel construction.

Hp	RPM	NEMA Frame	Catalog Number	List Price	Mult. Sym.	"C" Dim.	Aprx. Wt. (lb)	Full Load Efficiency	Voltage	Full Load Amps	EISA Status (a)	Notes (a)
3/4	1800	56Y	IR3507M	567	K	13.25	40	70	115/230	4.6	C	2
1	1800	56	IR3510M	615	K	13.23	40	67	115/230	6.2	C	1
1 1/2	1800	184	IR3603M	1,226	L1	15.68	65	69	230	10	C	
2	1800	184	IR3605M	1,276	L1	15.68	75	71	230	11.5	C	

(a) See notes on inside back flap.

**Aeration Fan,  
Single and  
Three Phase,  
TEAO,  
Foot Mounted**

**3/4 thru 3 Hp**

**NEMA 56 thru 145TZ**

**Applications:** Aeration fans for farm grain storage, exhaust fans, air handling systems, etc.



**Features:** Lubrication fittings on NEMA T frames for easy on-site maintenance, ball bearings, corrosion protected with epoxy finish. Normally-closed thermostats on three phase motors.

Hp	RPM	NEMA Frame	Catalog Number	List Price	Mult. Sym.	"C" Dim.	Aprx. Wt. (lb)	Full Load Efficiency	Voltage	Full Load Amps	EISA Status (a)	Notes (a)
<b>Single Phase</b>												
3/4	3600	56Z	AFL3520A	351	K	11.59	25	71	115/230	5.5	C	2
1	3600	56	AFL3521A	414	K	12.68	38	66	115/230	6	C	2
1 1/2	3600	56	AFL3525A	536	K	12.68	42	70	115/230	8.3	C	2, 30
		143TZ	AFL3522A	574	L1	12.74	43	70	115/230	8.3	C	2, 30
2	3600	143TZ	AFL3523A	701	L1	13.61	50	74	115/230	11.5	C	2
3	3600	145TZ	AFL3524A	731	L1	13.61	51	78	230	15	C	2
<b>Three Phase</b>												
3/4	3600	56Z	AFM3528	356	K	10.97	21	74	230/460	1.3	C	30
1	3600	56Z	AFM3529	387	K	10.97	23	75.5	230/460	1.8	C	30
1 1/2	3600	143TZ	AFM3530	447	L1	12.45	31	80	208-230/460	2.3	C	
3	3600	145T	AFM3532	592	L1	12.74	44	82.5	208-230/460	3.8	C	2

(a) See notes on inside back flap.

Farm Duty Motors

Definite Purpose Motors

Unit Handling Motors

Brake Motors

200 & 575 Volt Motors

IEC Frame Motors

50 Hertz Motors

Inverter/Vector Motors & Controls

DC Motors and Controls

Soft Start & Dynamic Brakes



**Dairy/Vacuum Pump, Single Phase, TEFC, Foot Mounted**     **5 thru 10 Hp**

**NEMA 213T thru 215T**

**Applications:** Vacuum pumps used in the dairy industry.



**Features:** Manual thermal overload protected, heavy-gauge steel frame. 1.15 Service Factor. 50°C ambient-continuous duty. Farm duty epoxy paint.

Hp	RPM	NEMA Frame	Catalog Number	List Price	Mult. Sym.	"C" Dim.	Aprx. Wt. (lb)	Full Load Efficiency	Voltage	Full Load Amps	EISA Status <sup>(a)</sup>	Notes <sup>(a)</sup>
5	1800	213T	DEL3708TM	1,986	L1	19.01	142	81	230	21.2	C	1
7 1/2	1800	215T	DEL3733TM	2,606	L1	20.77	162	85	230	28	C	1
10	1800	215T	DEL3737TM	3,183	L1	21.27	160	86.5	230	39	C	8, 89

<sup>(a)</sup> See notes on inside back flap.

Farm Duty Motors

Definite Purpose Motors

Unit Handling Motors

Brake Motors

200 & 575 Volt Motors

IEC Frame Motors

50 Hertz Motors

Inverter/Vector Motors & Controls

DC Motors and Controls

Soft Starters & Dynamic Brakes

**Three Phase,  
Two Speed, TEFC,  
Foot Mounted**

**3/4 thru 25 Hp**

**NEMA 56 thru 324T**

**Applications:** Fans, blowers, machine tools, hoists, conveyors, pumps.



**Features:** Designed for use in applications in which multiple speeds are required. Heavy duty steel or cast-iron frames, ball bearing, copper windings, dynamically balanced rotors.

Hp	RPM	NEMA Frame	Catalog Number	List Price	Mult. Sym.	"C" Dim.	Aprx. Wt. (lb)	Voltage	Full Load Amps	EISA Status (a)	Notes (a)
<b>Constant Torque, One Winding, Low Voltage</b>											
1/5	1800/900	143T	<b>M1504T</b>	998	L1	13.31	36	208-230	2.8	C	71
1.5/7.5	1800/900	145T	<b>M1505T</b>	1,054	L1	14.19	46	230	4.1	C	8, 71
2/1	1800/900	184T	<b>M1506T</b>	1,280	L1	16.54	65	208-230	5.5	C	71
3/1.5	1800/900	184T	<b>M1507T</b>	1,449	L1	18.04	82	230	8.3	C	1, 71
5/2.5	1800/900	215T	<b>M1508T</b>	1,894	L1	19.01	135	208-230	13	C	71
7.5/3.8	1800/900	215T	<b>M1509T</b>	2,466	L1	20.51	130	230	18.9	C	1, 71
10/5	1800/900	254T	<b>M1510T</b>	3,798	L1	23.28	276	230	25.6	C	1, 71
<b>Constant Torque, One Winding, High Voltage</b>											
1/5	1800/900	143T	<b>M1704T</b>	998	L1	14.19	43	460	1.4	C	71
1.5/7.5	1800/900	145T	<b>M1705T</b>	1,054	L1	14.19	50	460	2.1	C	8, 71
2/1	1800/900	184T	<b>M1706T</b>	1,280	L1	16.54	65	460	2.8	C	71
3/1.5	1800/900	184T	<b>M1707T</b>	1,449	L1	18.04	84	460	4.2	C	1, 71
5/2.5	1800/900	215T	<b>M1708T</b>	1,894	L1	19.01	112	460	6.5	C	71
7.5/3.8	1800/900	215T	<b>M1709T</b>	2,466	L1	20.51	168	460	9.4	C	1, 71
10/5	1800/900	254T	<b>M1710T</b>	3,798	L1	23.28	275	460	13	C	1, 71
15/7.5	1800/900	256T	<b>M1711T</b>	4,398	L1	23.28	265	460	19.2	C	1, 71
20/10	1800/900	284T	<b>M1712T</b>	5,588	L1	27.76	389	460	25	C	1, 71
25/13	1800/900	286T	<b>M1713T</b>	6,784	L1	27.76	396	460	29	C	1, 71
<b>Variable Torque, One Winding, Low Voltage</b>											
1/25	1800/900	143T	<b>M1554T</b>	703	L1	12.31	31	208-230	1	C	71
1.5/38	1800/900	145T	<b>M1555T</b>	731	L1	13.31	38	208-230	4.8	C	71
2/5	1800/900	145T	<b>M1556T</b>	849	L1	13.31	42	208-230	6.1	C	71
3/7.5	1800/900	184T	<b>M1557T</b>	913	L1	16.54	65	208-230	3	C	1, 71
5/1.3	1800/900	184T	<b>M1558T</b>	1,162	L1	18.04	83	208-230	13.5	C	71
7.5/1.9	1800/900	215T	<b>M1559T</b>	1,652	L1	19.01	125	230	18.5	C	1, 71
<b>Variable Torque, One Winding, High Voltage</b>											
1/25	1800/900	143T	<b>M1754T</b>	703	L1	12.31	32	460	1.7	C	1, 71
1.5/375	1800/900	145T	<b>M1755T</b>	731	L1	13.31	38	460	2.3	C	71
2/5	1800/900	145T	<b>M1756T</b>	849	L1	14.19	45	460	3	C	71
3/7.5	1800/900	184T	<b>M1757T</b>	913	L1	16.54	63	460	4	C	1, 71
5/1.3	1800/900	184T	<b>M1758T</b>	1,162	L1	18.04	81	460	6.7	C	1, 71
7.5/1.9	1800/900	215T	<b>M1759T</b>	1,637	L1	19.01	125	460	9.3	C	1, 71
10/2.5	1800/900	215T	<b>M1760T</b>	1,928	L1	20.52	160	460	12.5	C	8, 71
15/3.75	1800/900	254T	<b>M1761T</b>	2,665	L1	23.28	248	460	19.6	C	1, 71
20/5	1800/900	284T	<b>M1762T</b>	3,151	L1	27.76	339	460	26	C	1, 71
25/6.3	1800/900	286T	<b>M1763T</b>	3,656	L1	27.76	363	460	32	C	1, 71
<b>Variable Torque, Two Windings, Low Voltage</b>											
.75/33	1800/1200	56	<b>M1519</b>	777	K	13.23	34	230	2.8	C	71
1/44	1800/1200	145T	<b>M1520T</b>	812	L1	13.31	38	208-230	3	C	71
1.5/67	1800/1200	182T	<b>M1521T</b>	1,003	L1	15.17	56	208-230	4.4	C	71
2/89	1800/1200	182T	<b>M1522T</b>	1,150	L1	16.54	64	208-230	5.8	C	71
3/1.3	1800/1200	184T	<b>M1523T</b>	1,346	L1	16.54	71	208-230	8	C	1, 71
5/2.2	1800/1200	215T	<b>M1524T</b>	2,109	L1	19.01	114	230	12.8	C	1, 71

(a) See notes on inside back flap.

■ Cast Iron Frame

Farm Duty Motors

Definite Purpose Motors

Unit Handling Motors

Brake Motors

200 & 575 Volt Motors

IEC Frame Motors

50 Hertz Motors

Inverter/Vector Motors & Controls

DC Motors and Controls

Soft Start & Dynamic Brakes

**Three Phase, Two Speed, TEFC, Foot Mounted**

Hp	RPM	NEMA Frame	Catalog Number	List Price	Mult. Sym.	"C" Dim.	Aprx. Wt. (lb)	Voltage	Full Load Amps	EISA Status <sup>(a)</sup>	Notes <sup>(a)</sup>
<b>Variable Torque, Two Windings, High Voltage</b>											
.5/.22	1800/1200	56	<b>M1718</b>	724	K	12.23	30	460	1.1	C	71
.75/.33	1800/1200	56	<b>M1719</b>	801	K	12.23	32	460	1.4	C	71
1/.44	1800/1200	145T	<b>M1720T</b>	812	L1	13.31	37	460	1.6	C	71
1.5/.67	1800/1200	182T	<b>M1721T</b>	1,003	L1	14.26	55	460	2.2	C	71
2/.89	1800/1200	182T	<b>M1722T</b>	1,150	L1	16.52	59	460	2.8	C	71
3/1.3	1800/1200	184T	<b>M1723T</b>	1,346	L1	16.54	73	460	4	C	1, 71
5/2.2	1800/1200	215T	<b>M1724T</b>	2,109	L1	19.01	128	460	6.4	C	1, 71
7.5/3.3	1800/1200	254T	<b>M1725T</b>	2,726	L1	23.28	219	460	10.3	C	1, 71
10/4.4	1800/1200	254T	<b>M1726T</b>	3,138	L1	21.07	233	460	12.5	C	1, 71
15/6.7	1800/1200	284T	<b>M1727T</b>	3,723	L1	27.76	356	460	19.3	C	1, 71
20/8.9	1800/1200	286T	<b>M1728T</b>	5,049	L1	27.76	376	460	27	C	1, 71
25/11	1800/1200	324T	<b>M1729T</b>	5,319	L1	30.28	513	460	30	C	1, 71

<sup>(a)</sup> See notes on inside back flap.

■ Cast Iron Frame

Farm Duty Motors

Definite Purpose Motors

Unit Handling Motors

Brake Motors

200 & 575 Volt Motors

IEC Frame Motors

50 Hertz Motors

Inverter/Vector Motors & Controls

DC Motors and Controls

Soft Starters & Dynamic Brakes

**Three Phase,  
Two Speed, ODP,  
Foot Mounted**

**1/2 thru 25 Hp**

**NEMA 56 thru 286T**

**Applications:** Fans, blowers, and pumps.



**Features:** Designed for use in applications in which multiple speeds are required. Heavy duty steel or cast-iron frames, ball bearing, copper windings, dynamically balanced rotors.

Hp	RPM	NEMA Frame	Catalog Number	List Price	Mult. Sym.	"C" Dim.	Aprx. Wt. (lb)	Voltage	Full Load Amps	EISA Status <sup>(a)</sup>	Notes <sup>(a)</sup>
<b>Variable Torque, One Winding, Low Voltage</b>											
1/25	1800/900	143T	<b>M1004T</b>	670	L1	11.12	33	208-230	3	C	
1.5/38	1800/900	145T	<b>M1005T</b>	696	L1	12.13	35	208-230	4.4	C	
2/5	1800/900	145T	<b>M1006T</b>	804	L1	12.13	40	230	6.1	C	
3/7.5	1800/900	184T	<b>M1007T</b>	864	L1	13.62	56	208-230	3	C	
5/1.3	1800/900	184T	<b>M1008T</b>	1,040	L1	15.00	69	230	13.2	C	1
7.5/1.9	1800/900	215T	<b>M1009T</b>	1,485	L1	16.32	111	230	20	C	
10/2.5	1800/900	215T	<b>M1010T</b>	1,684	L1	17.45	131	208-230	25	C	1
<b>Variable Torque, One Winding, High Voltage</b>											
1/25	1800/900	143T	<b>M1204T</b>	670	L1	11.12	33	460	1.5	C	
1.5/38	1800/900	145T	<b>M1205T</b>	696	L1	12.13	35	460	2.2	C	
2/5	1800/900	145T	<b>M1206T</b>	804	L1	12.13	41	460	3.1	C	
3/7.5	1800/900	184T	<b>M1207T</b>	864	L1	13.62	57	460	4	C	
5/1.3	1800/900	184T	<b>M1208T</b>	1,040	L1	15.00	72	460	6.6	C	1
7.5/1.9	1800/900	215T	<b>M1209T</b>	1,485	L1	16.32	112	460	10	C	
10/2.5	1800/900	215T	<b>M1210T</b>	1,684	L1	17.45	130	460	13	C	1
15/3.8	1800/900	254T	<b>M1211T</b>	2,365	L1	21.69	234	460	20	C	1
20/5	1800/900	256T	<b>M1212T</b>	2,899	L1	21.69	232	460	26	C	1
25/6.3	1800/900	284T	<b>M1213T</b>	3,402	L1	23.81	312	460	34	C	
<b>Variable Torque, Two Windings, Low Voltage</b>											
.75/33	1800/1200	56	<b>M1019</b>	719	K	12.07	34	230	2.8	C	
1/44	1800/1200	145T	<b>M1020T</b>	775	L1	12.13	39	230	3	C	
1.5/67	1800/1200	182T	<b>M1021T</b>	939	L1	13.62	56	208-230	4.4	C	
2/89	1800/1200	182T	<b>M1022T</b>	1,071	L1	15.00	62	230	5.8	C	
3/1.3	1800/1200	184T	<b>M1023T</b>	1,247	L1	15.00	69	230	8	C	
5/2.2	1800/1200	215T	<b>M1024T</b>	1,920	L1	16.32	113	230	12.8	C	1
7.5/3.3	1800/1200	256T	<b>M1025T</b>	2,553	L1	22.25	211	230	19.4	C	
<b>Variable Torque, Two Windings, High Voltage</b>											
.5/22	1800/1200	56	<b>M1218</b>	685	K	11.07	30	460	0.9	C	
.75/33	1800/1200	56	<b>M1219</b>	719	K	12.07	34	460	1.4	C	
1/44	1800/1200	145T	<b>M1220T</b>	775	L1	12.13	39	460	1.9	C	
1.5/67	1800/1200	182T	<b>M1221T</b>	939	L1	13.62	56	460	2.2	C	
2/89	1800/1200	182T	<b>M1222T</b>	1,071	L1	15.00	64	460	3	C	
3/1.3	1800/1200	184T	<b>M1223T</b>	1,247	L1	15.00	69	460	4	C	
5/2.2	1800/1200	215T	<b>M1224T</b>	1,920	L1	16.32	113	460	6.4	C	1
7.5/3.3	1800/1200	256T	<b>M1225T</b>	2,553	L1	22.25	209	460	9.9	C	
10/4.4	1800/1200	256T	<b>M1226T</b>	2,884	L1	22.25	237	460	12.7	C	1
15/6.7	1800/1200	284T	<b>M1227T</b>	3,499	L1	23.81	318	460	18.1	C	
20/8.9	1800/1200	286T	<b>M1228T</b>	4,693	L1	23.81	348	460	24	C	
25/11	1800/1200	286T	<b>M1229T</b>	5,039	L1	25.06	349	460	30	C	

<sup>(a)</sup> See notes on inside back flap.

Farm Duty Motors

Definite Purpose Motors

Unit Handling Motors

Brake Motors

200 & 575 Volt Motors

IEC Frame Motors

50 Hertz Motors

Inverter/Vector Motors & Controls

DC Motors and Controls

Soft Start & Dynamic Brakes

**Pressure Washer,  
Single Phase,  
TEFC and ODP**

**1-1/2 thru 5 Hp**

**NEMA 56 thru 184TC**

**Applications:** Pressure washers, steam cleaners, portable and self contained stationary system for direct drive mount and doubled mount designs.



**Features:** Ball bearing design. 1 1/2 horsepower ratings are rated at 14 amps or less on 115 volts. Manual thermal overload located in the conduit box. UL and CSA recognized component approval. 200°C copper windings. Capacitor start, capacitor run (two value capacitor).

Hp	RPM	NEMA Frame	Catalog Number	List Price	Mult. Sym.	"C" Dim.	Aprx. Wt. (lb)	Full Load Efficiency	Voltage	Full Load Amps	EISA Status (a)	Notes (a)
<b>Totally Enclosed Fan Cooled</b>												
1 1/2	3600	56	<b>PL3513M</b>	559	K	13.25	38	75.5	115/230	6.6	C	
	1800	56	<b>PL3514M</b>	742	K	14.12	50	82.5	115/230	6	C	
2	3600	56	<b>PL3515M</b>	676	K	13.25	42	77	115/230	8.8	C	1
	1800	56HZ	<b>L3516TM</b>	919	K	13.31	46	82.5	230	8.1	C	1, 57
3	3600	56	<b>PL3519M</b>	741	K	14.12	50	85.5	230	12.5	C	1, 30
	1800	184T	<b>L3609TM</b>	1,015	L1	16.54	79	78	115/230	14.5	C	2, 20
5	3600	184T	<b>L3608TM</b>	1,169	L1	18.05	86	83	230	19.5	C	2, 20
	1800	184T	<b>L3612TM</b>	1,180	L1	18.05	99	80	230	23	C	2, 20
<b>Totally Enclosed Fan Cooled, C-Face</b>												
1 1/2	3600	56C	<b>PCL3513M</b>	598	K	13.25	38	75.5	115/230	6.6	C	
	1800	56C	<b>PCL3514M</b>	780	K	14.12	50	82.5	115/230	6	C	
2	3600	56C	<b>PCL3515M</b>	709	K	13.24	43	77	115/230	8.8	C	1
	1800	145TC	<b>CL3516TM</b>	927	L1	14.16	52	78	230	8.3	C	1
3	3600	56C	<b>PCL3519M</b>	777	K	14.12	52	85.5	230	12.5	C	1, 30
	1800	184TC	<b>CL3619TM</b>	1,206	L1	16.54	81	81.5	230	13.2	C	2, 20
5	3600	184TC	<b>CL3608TM</b>	1,306	L1	18.05	91	83	230	19.5	C	2, 20
	1800	184TC	<b>CL3612TM</b>	1,264	L1	18.05	101	80	230	23	C	2, 20
<b>Open Drip Proof</b>												
1 1/2	3600	56H	<b>PL1313M</b>	486	K	11.75	34	75.5	115/230	6.6	C	36
	1800	56	<b>PL1319M</b>	645	K	12.06	39	74	115/230	7	C	
2	3600	56	<b>PL1317M</b>	634	K	12.06	41	77	115/230	8.8	C	
	1800	56	<b>PL1322M</b>	676	K	12.94	47	78.5	115/230	9.2	C	
3	3600	56	<b>PL1326M</b>	700	K	12.94	50	85.5	230	12.5	C	30
	1800	184T	<b>L1408TM</b>	844	L1	15.00	78	78	115/230	16	C	
5	3600	56/56H	<b>PL1327M</b>	721	K	13.81	56	74.2	230	23	C	2, 20, 30, 36
	1800	184T	<b>L1410TM</b>	1,027	L1	16.50	84	82.5	230	23	C	1, 30
<b>Open Drip Proof, C-Face</b>												
1 1/2	3600	56C	<b>PCL1313M</b>	527	K	12.06	38	75.5	115/230	6.6	C	
	1800	56C	<b>PCL1319M</b>	676	K	12.06	43	74	115/230	7	C	
2	3600	56C	<b>PCL1317M</b>	676	K	12.06	43	77	115/230	8.8	C	
	1800	56C	<b>PCL1322M</b>	701	K	12.94	48	78.5	115/230	9.2	C	
3	3600	56C	<b>PCL1326M</b>	741	K	12.94	49	85.5	230	12.5	C	30
	1800	184TC	<b>CL1408TM</b>	892	L1	15.00	78	78	115/230	16	C	
5	3600	56HCY	<b>PCL1327M</b>	759	K	14.11	57	74.2	230	23	C	2, 20, 30, 37, 47
	1800	184TC	<b>CL1410TM</b>	1,075	L1	16.50	88	82.5	230	23	C	1, 30

(a) See notes on inside back flap.

**BALDOR • RELIANCE**

**Metering Pump,  
Three Phase, TEFC,  
Foot Mounted**

**1/3 Hp**

**NEMA 48**

**Applications:** Metering pump systems primarily used to inject chemicals into irrigation distribution systems.



**Features:** TEFC industrial quality. Designed with conduit box at 12 o'clock position to facilitate mounting on existing chemical injection pumps. Epoxy paint. Designed for use at 230/460 volts 60hz or 190/380 volts 50hz.

Hp	RPM	NEMA Frame	Catalog Number	List Price	Mult. Sym.	"C" Dim.	Aprx. Wt. (lb)	Voltage	Full Load Amps	EISA Status (a)	Notes (a)
1/3	1800	48	MPM3458	344	K	10.72	20	230/460	0.8	C	2

(a) See notes on inside back flap.

Farm Duty Motors

Definite Purpose Motors

Unit Handling Motors

Brake Motors

200 & 575 Volt Motors

IEC Frame Motors

50 Hertz Motors

Inverter/Vector Motors & Controls

DC Motors and Controls

Soft Start & Dynamic Brakes

**Arbor Saw,  
Three Phase, TEFC,  
Foot Mounted**

**7-1/2 thru 15 Hp**

**Applications:** Heavy duty circular saw applications. Machine tools.



**Features:** Low profile for maximum blade cutting depth. Supplied with keyway and unthreaded shaft suitable for right or left threading. (See "Mod Express" section for custom threading.) Double row ball bearings for maximum shaft stability in precision woodworking applications.

Hp	RPM	Catalog Number	List Price	Mult. Sym.	"C" Dim.	Aprx. Wt. (lb)	Voltage	Full Load Amps	EISA Status (a)	Notes (a)
7 1/2	3600	ASM6207	2,748	L1	16.73	102	230/460	9.2	C	1
10	3600	ASM6210	2,937	L1	16.73	101	208-230/460	11.5	C	
		ASM7510	3,424	L1	13.45	134	230/460	12	C	2
15	3600	ASM6215	3,424	L1	18.48	124	208-230/460	17	C	
		ASM7515	3,693	L1	14.45	151	208-230/460	16.5	C	2

(a) See notes on inside back flap.



Woodworking,  
Single Phase, TEFC

1 thru 3 Hp

NEMA 48Z thru 184YZ

Applications: Woodworking equipment such as table saws, planers, etc.



Features: Motor swivels on rod for belt tensioning. Shaft supplied with full key and keyway. Extra high breakdown torques for maximum cutting power. 1.00 Service Factor.

Hp	RPM	NEMA Frame	Catalog Number	List Price	Mult. Sym.	"C" Dim.	Aprx. Wt. (lb)	Full Load Efficiency	Voltage	Full Load Amps	EISA Status (a)	Notes (a)
1	3600	48Z	WWL3509	437	K	13.35	33	65	115/230	6.3	C	67
2	3600	145TYZ	WWL3515T	713	L1	13.56	53	70	115/230	12	C	20, 65
3	3600	184YZ	WWL3606	911	L1	14.89	71	72	230	15.5	C	

(a) See notes on inside back flap.

Pre-1952 NEMA,  
Single and  
Three Phase,  
Foot Mounted

1/2 thru 5 Hp

NEMA 66 thru 254

Applications: Applications requiring pre-1952 NEMA frame dimensions.



Features: Heavy-gauge seam-welded base, ball bearings, copper windings.

Hp	RPM	NEMA Frame	Catalog Number	List Price	Mult. Sym.	"C" Dim.	Aprx. Wt. (lb)	Full Load Efficiency	Voltage	Full Load Amps	EISA Status (a)	Notes (a)
<b>Single Phase, Totally Enclosed Fan Cooled</b>												
1/2	1800	66	L3576M	613	K	13.62	36	64	115/230	4	C	
3/4	1800	66	L3565M	729	K	13.62	38	66	115/230	5.3	C	
1	1800	66	L3566M	792	K	13.62	40	67	115/230	6.5	C	30
1 1/2	1800	66	L3567M	960	K	14.50	50	75.5	115/230	8	C	2, 65
<b>Three Phase, Totally Enclosed Fan Cooled</b>												
1/2	1800	66NA	M3564	591	K	13.62	30	72	208-230/460	1.1	C	30
3/4	1800	66NA	M3565	621	K	13.62	31	72	230/460	1.5	C	30
1	1800	66NA	M3566	652	K	13.62	33	75.5	208-230/460	1.8	C	
1 1/2	1800	66NA	M3567	684	K	13.62	37	78.5	208-230/460	2.5	C	
<b>Single Phase, Open Drip Proof</b>												
1	1800	203	L1413	1,118	L1	14.37	51	70	115/230	7	C	30
1 1/2	1800	204	L1414	1,307	L1	14.37	56	68	115/230	9.5	C	30
<b>Three Phase, Open Drip Proof</b>												
1	1800	203	M3233	968	L1	14.38	47	77	208-230/460	1.6	C	
1 1/2	1800	204	M3234	1,026	L1	14.38	49	81.5	208-230/460	2.4	C	
2	1800	224NA	M3324	1,381	L1	16.32	77	79	208-230/460	3.3	C	
3	1800	225NA	M3325	1,423	L1	16.32	81	80	208-230/460	4.5	C	
5	1800	254NA	M3326	1,735	L1	18.32	94	84	208-230/460	6.8	C	

(a) See notes on inside back flap.

Farm Duty Motors

Definite Purpose Motors

Unit Handling Motors

Brake Motors

200 & 575 Volt Motors

IEC Frame Motors

50 Hertz Motors

Inverter/Vector Motors & Controls

DC Motors and Controls

Soft Starters & Dynamic Brakes

**SAE Hydraulic Pump Motors, Three Phase, Continuous Duty**

**5 thru 10 Hp**

**NEMA 184TYZ thru 215TYZ**

**Applications:** Hydraulic pumps for lifts, trash compactors and other machinery.



**Features:** TEFC motors designed for continuous duty (may be used on intermittent duty applications). Base mount with SAE A or B pump mount face and shaft. F3 top-mounted conduit box.

Hp	RPM	NEMA Frame	Catalog Number	List Price	Mult. Sym.	“C” Dim.	Aprx. Wt. (lb)	Full Load Efficiency	Voltage	Full Load Amps	EISA Status <sup>(a)</sup>	Notes <sup>(a)</sup>
5	1800	184TYZ	HPM3615T	742	L1	13.50	79	87.5	208-230/460	7.1	C	
7 1/2	1800	213TYZ	HPM3710T	954	L1	14.66	119	89.5	208-230/460	10.1	C	
10	1800	215TYZ	HPM3714T	1,126	L1	15.79	145	89.5	208-230/460	13.5	C	

<sup>(a)</sup> See notes on inside back flap.

Farm Duty Motors

Definite Purpose Motors

Unit Handling Motors

Brake Motors

200 & 575 Volt Motors

IEC Frame Motors

50 Hertz Motors

Inverter/Vector Motors & Controls

DC Motors and Controls

Soft Start & Dynamic Brakes

**F-2 Mount,  
Three Phase,  
TEFC and ODP,  
Foot Mounted**

**1 thru 60 Hp**

**NEMA 145T thru 364T**

**Applications:** Pumps, compressors, fans, conveyors, machine tools and other applications requiring three phase F-2 mounted motors.

**Features:** Copper windings, ball bearings, heavy-gauge steel frame with base seam-welded. EFM Super-E® motors have NEMA Premium® efficiency and 3 year warranty.



Hp	RPM	NEMA Frame	Catalog Number	List Price	Mult. Sym.	"C" Dim.	Aprx. Wt. (lb)	Full Load Efficiency	Voltage	Full Load Amps	EISA Status (a)	Notes (a)
<b>Totally Enclosed Fan Cooled</b>												
2	1800	145T	EFM3558T	668	L1	14.19	49	86.5	208-230/460	2.7	A	1, 30
		145T	FM3558T	454	L1	13.31	42	84	208-230/460	3.1	D	
3	1800	182T	EFM3611T	741	L1	18.05	69	89.5	230/460	4.2	A	1, 30
		182T	FM3611T	536	L1	16.55	70	87.5	208-230/460	4.1	D	1
5	1800	184T	EFM3615T	811	L1	18.05	95	89.5	230/460	6.5	A	1, 30
		184T	FM3615T	617	L1	16.56	74	87.5	208-230/460	7.1	D	1
7 1/2	1800	213T	EFM3710T	1,173	L1	19.02	125	91.7	230/460	9.4	A	1, 30
		213T	FM3710T	788	L1	17.89	110	89.5	208-230/460	10.1	D	1
10	1800	215T	EFM3714T	1,318	L1	20.52	158	91.7	230/460	12.5	A	1, 30
		215T	FM3714T	957	L1	19.01	131	89.5	208-230/460	13.5	D	1
15	1800	254T	EFM2333T	2,033	L1	23.16	255	92.4	230/460	18.5	A	1, 30
		256T	EFM2334T	2,463	L1	23.16	286	93	230/460	24	A	1, 30
25	1800	284T	EFM4103T	3,220	L1	27.76	392	93.6	230/460	30	A	1, 30
30	1800	286T	EFM4104T	3,824	L1	27.76	444	93.6	230/460	36	A	1, 30
<b>Open Drip Proof</b>												
1	1800	145T	EFM3116T	547	L1	11.12	36	85.5	208-230/460	1.4	A	1
1 1/2	1800	145T	EFM3154T	572	L1	13.00	37	86.5	208-230/460	2.1	A	1
2	1800	145T	EFM3157T	613	L1	13.00	48	86.5	208-230/460	2.7	A	1
		182T	EFM3211T	661	L1	15.00	77	89.5	230/460	4	A	1
3	1800	182T	FM3211T	475	L1	14.00	54	86.5	208-230/460	4.2	D	1
		184T	EFM3218T	724	L1	16.50	84	89.5	230/460	6.6	A	1, 30
5	1800	184T	FM3218T	525	L1	15.00	68	87.5	208-230/460	6.9	D	
		213T	EFM3311T	1,064	L1	16.32	111	91	230/460	9.7	A	1, 30
7 1/2	1800	213T	FM3311T	744	L1	17.00	98	88.5	208-230/460	10	D	
		215T	EFM3313T	1,288	L1	17.45	123	91.7	230/460	12.5	A	1, 30
10	1800	215T	FM3313T	912	L1	16.32	114	89.5	208-230/460	13.4	D	
		254T	EFM2513T	1,824	L1	21.69	234	93	230/460	17.7	A	1, 30
15	1800	254T	FM2513T	1,378	L1	19.75	170	91	208-230/460	19	D	1
		256T	EFM2515T	2,290	L1	21.69	237	93	230/460	23.5	A	1, 30
20	1800	256T	FM2515T	1,774	L1	22.25	220	91.7	230/460	24	D	30
		284T	EFM2531T	2,791	L1	23.81	332	93.6	230/460	30	A	1, 30
25	1800	284T	FM2531T	2,150	L1	23.44	226	91.7	230/460	31	D	30
		286T	EFM2535T	3,052	L1	25.06	372	94.1	230/460	35	A	1, 30
30	1800	286T	FM2535T	2,514	L1	24.94	248	92.4	230/460	36	D	30
		324T	EFM2539T	3,982	L1	26.69	477	94.1	230/460	46	A	1, 30
40	1800	324T	FM2539T	3,205	L1	26.19	378	93	230/460	49	D	30
		326T	EFM2543T	4,394	L1	27.69	472	94.5	230/460	57	A	1, 30
50	1800	326T	FM2543T	3,762	L1	27.19	371	93	230/460	62	D	30
		364T	EFM2547T	5,532	L1	30.69	782	95	230/460	68	A	1, 30

(a) See notes on inside back flap.

■ Cast Iron Frame

Farm Duty Motors

Definite Purpose Motors

Unit Handling Motors

Brake Motors

200 & 575 Volt Motors

IEC Frame Motors

50 Hertz Motors

Inverter/Vector Motors & Controls

DC Motors and Controls

Soft Starters & Dynamic Brakes

**Automotive Approved, 1 thru 100 Hp  
Three Phase, TEFC,  
Foot Mounted**

**NEMA 182 thru 445U**

**Applications:** Pumps, compressors, fans, conveyors, machine tools and other applications where automotive approved motors are required.

**Features:** Approved by major US automobile manufacturers. Meets efficiency times power factor requirements per GM7EQ. All cast iron construction, regreasable double shield ball bearings, shaft slinger on both ends of motor, stainless steel nameplate, epoxy paint. Suitable for 65°C ambient 1.00 service factor or 1.15 service factor, 40°C ambient. Meets automotive requirements for sound power levels. Class F insulation, 1.00 service factor.



Hp	RPM	NEMA Frame	Catalog Number	List Price	Mult. Sym.	"C" Dim.	Aprx. Wt. (lb)	Full Load Efficiency	Voltage	Full Load Amps	EISA Status (a)	Notes (a)
1	1800	182	AEM3683-4	1,119	L1	13.18	78	81.5	460	1.5	C	60
	1200	184	AEM3684-4	1,411	L1	14.74	88	80.5	460	1.7	B	
1 1/2	1800	184	AEM3686-4	1,201	L1	14.74	86	85	460	2.2	B	
	1200	184	AEM3687-4	1,561	L1	14.74	94	85.5	460	2.6	B	
2	1800	184	AEM3689-4	1,279	L1	14.74	94	86	460	2.9	B	
	1200	213	AEM3782-4	1,742	L1	18.07	152	86.5	460	3.2	B	
3	1800	213	AEM3783-4	1,477	L1	18.07	155	87.5	460	3.9	B	
	1200	215	AEM3784-4	2,121	L1	18.07	171	87.5	460	4.4	B	
5	1800	215	AEM3787-4	1,933	L1	18.07	166	87.5	460	6.4	B	
	1200	254U	AEM2275-4	2,943	L1	20.81	235	88.5	460	7.1	B	
7 1/2	1800	254U	AEM2237-4	2,594	L1	22.91	224	89.5	460	9.2	B	
	1200	256U	AEM2276-4	3,749	L1	22.91	254	90.2	460	10.6	B	
10	1800	256U	AEM2238-4	3,137	L1	22.91	243	90.2	460	12	B	
	1200	284U	AEM2332-4	4,601	L1	27.81	391	89.5	460	13.8	B	
15	1800	284U	AEM2333-4	4,358	L1	26.92	358	92.4	460	18	B	
	1200	324U	AEM4100-4	6,165	L1	30.66	502	90.2	460	19	B	
20	1800	286U	AEM2334-4	5,255	L1	27.81	416	91	460	25	B	
	1200	326U	AEM4102-4	7,736	L1	30.66	516	90.2	460	25	B	
25	1800	324U	AEM4103-4	6,699	L1	30.66	554	92.4	460	29.5	B	
	1200	364U	AEM4111-4	8,300	L1	33.35	734	91.7	460	30	B	
30	1800	326U	AEM4104-4	7,568	L1	30.66	567	92.4	460	35	B	
	1200	365U	AEM4117-4	9,627	L1	33.35	765	91.7	460	36	B	
40	1800	364U	AEM4307-4	8,993	L1	33.35	709	93.6	460	46	B	
	1200	404U	AEM4308-4	12,246	L1	36.76	1200	93	460	46	B	
50	1800	365U	AEM4311-4	10,830	L1	33.35	799	93.6	460	58	B	
	1200	405U	AEM4312-4	14,613	L1	37.91	1180	93	460	57	B	
60	1800	405U	AEM4314-4	13,234	L1	36.76	1375	93.6	460	68	B	
	1200	444U	AEM4403-4	17,098	L1	44.37	1494	93	460	71	B	
75	1800	444U	AEM4316-4	16,538	L1	44.37	1327	94.5	460	85	B	
	1200	445U	AEM4404-4	23,155	L1	44.37	1576	94.1	460	88	B	
100	1800	445U	AEM4400-4	18,269	L1	44.37	1573	94.1	460	116	B	

(a) See notes on inside back flap.

Cast Iron Frame

Farm Duty Motors

Definite Purpose Motors

Unit Handling Motors

Brake Motors

200 & 575 Volt Motors

IEC Frame Motors

50 Hertz Motors

Inverter/Vector Motors & Controls

DC Motors and Controls

Soft Start & Dynamic Brakes

**Oil Field Pump,  
Three Phase,  
TEFC and ODP,  
Design D,  
Foot Mounted**

**3 thru 150 Hp**

**NEMA 213T thru 447T**

**Applications:** Beam pumping units, punch presses and applications requiring high torque and high slip.

**Features:** Two-part epoxy paint, moisture-resistant insulation, rodent screens, shaft slinger, F-2 position conduit box. TEFC motors have severe duty features. Includes thermostats.



Hp	RPM	NEMA Frame	Catalog Number	List Price	Mult. Sym.	"C" Dim.	Aprx. Wt. (lb)	Full Load Efficiency	Voltage	Full Load Amps	EISA Status (a)	Notes (a)
<b>Totally Enclosed Fan Cooled, 230/460/796 VAC</b>												
3	1200	213T	OF3764T	2,040	L1	19.32	225	79	230/460/796	3	C	1
5	1200	215T	OF3768T	2,261	L1	19.32	196	80	230/460/796	4.4	C	1
7 1/2	1200	254T	OF2276T	2,757	L1	23.25	249	84	230/460/796	7.4	C	1
10	1200	256T	OF2332T	3,070	L1	23.25	280	84	230/460/796	9	C	1
15	1200	284T	OF4100T	4,896	L1	27.56	390	87.5	230/460/796	11.6	C	1
20	1200	286T	OF4102T	5,916	L1	27.56	454	87.5	230/460/796	15	C	1
25	1200	324T	OF4111T	7,139	L1	30.27	561	87.5	230/460/796	19	C	1
<b>Totally Enclosed Fan Cooled, 460/796 VAC</b>												
30	1200	326T	OF4117T	8,656	L1	30.27	630	87.5	460/796	23	C	1
40	1200	365T	OF4308T	9,591	L1	32.84	845	88.5	460/796	30	C	1
50	1200	404T	OF4312T	12,423	L1	38.03	1090	87.5	460/796	34.6	C	1
60	1200	405T	OF4403T	15,366	L1	38.03	1171	88.5	460/796	42	C	1
75	1200	444T	OF4404T	16,665	L1	44.24	1648	88.5	460/796	51	C	1
100	1200	445T	OF4409T	21,662	L1	47.74	2100	90.2	460/796	67	C	1
125	1200	447T	OF4411T	27,807	L1	52.68	2516	91	460/796	86	C	1
150	1200	447T	OF44156T	32,846	L1	52.68	2889	91	460/796	102	C	1
<b>Open Drip Proof, 230/460/796 VAC</b>												
3	1200	213T	OF3303T	1,246	L1	18.13	117	78.5	230/460/796	3	C	2
5	1200	215T	OF3305T	1,654	L1	19.25	152	78.5	230/460/796	4.4	C	2
7 1/2	1200	254T	OF3307T	2,062	L1	24.18	209	81.5	230/460/796	7.2	C	2
		254T	OF3407T	2,261	L1	20.63	229	84	230/460/796	7.2	C	1
10	1200	256T	OF3310T	2,499	L1	24.18	234	82.5	230/460/796	9.2	C	2
		256T	OF3410T	2,642	L1	22.38	272	84	230/460/796	9	C	1
15	1200	284T	OF3315T	3,505	L1	26.31	288	85.5	230/460/796	13	C	1
		284T	OF3415T	3,703	L1	23.44	334	85.5	230/460/796	13.3	C	1
20	1200	286T	OF3320T	4,199	L1	26.31	318	84	230/460/796	17.2	C	1
		286T	OF3420T	4,393	L1	24.94	376	86.5	230/460/796	16.8	C	1
25	1200	324T	OF3325T	5,395	L1	29.18	436	85.5	230/460/796	20	C	1
		324T	OF3425T	5,740	L1	26.13	487	85.5	230/460/796	20	C	1
<b>Open Drip Proof, 460/796 VAC</b>												
30	1200	326T	OF3330T	6,564	L1	29.18	437	86.5	460/796	24	C	1
		326T	OF3430T	6,942	L1	27.63	517	86.5	460/796	25.4	C	1
40	1200	365T	OF3340T	8,362	L1	29.94	553	88.5	460/796	32	C	1
		365T	OF3440T	8,863	L1	29.69	749	87.5	460/796	31	C	1
50	1200	404T	OF3350T	9,777	L1	34.00	981	87.5	460/796	37	C	1
60	1200	404T	OF3360T	10,985	L1	34.00	1057	87.5	460/796	43	C	1
75	1200	404T	OF3375T	12,965	L1	34.00	1153	88.5	460/796	53	C	1
100	1200	445T	OF33100T	13,774	L1	39.62	1372	89.5	460/796	69.9	C	1
125	1200	449T	OF33125T	17,461	L1	48.06	2100	91	460/796	145	C	1

(a) See notes on inside back flap.

Custom TEFC motors available through 2,250 Hp; Open and WPll custom motors through 15,000 Hp. Contact your local Baldor•Reliance Sales Representative.

■ Cast Iron Frame

Farm Duty Motors

Definite Purpose Motors

Unit Handling Motors

Brake Motors

200 & 575 Volt Motors

IEC Frame Motors

50 Hertz Motors

Inverter/Vector Motors & Controls

DC Motors and Controls

Soft Starters & Dynamic Brakes

**Single and Three Phase, TENV, Foot or C-Face Mounting, Removable Base**

1/12 thru 1/4 Hp

NEMA 42C

**Applications:** General purpose fractional horsepower applications including pumps, compressors, machine tools, and air handling.

**Features:** C-face with removable base, rugged cast aluminum housing having a dry powder epoxy coating, and ball bearings with the drive end bearing locked.



Hp	RPM	NEMA Frame	Catalog Number	List Price	Mult. Sym.	"C" Dim.	Aprx. Wt. (lb)	Full Load Efficiency	Voltage	Full Load Amps	EISA Status <sup>(a)</sup>	Notes <sup>(a)</sup>
<b>Single Phase</b>												
1/12	3600	42C	CNL20082	223	DS	7.39	10	55	115	1.1	C	2, 20
1/8	1800	42C	CNL20134	243	DS	7.89	11	50	115	1.6	C	2, 20
1/6	3600	42C	CNL20172	251	DS	8.39	13	68	115	1.9	C	2, 20
<b>Three Phase</b>												
1/8	3600	42C	CNM20132	271	DS	7.39	8	64	230/460	0.4	C	2, 20
	1800	42C	CNM20134	294	DS	7.39	10	62	208-230/460	0.4	C	2, 20
1/4	3600	42C	CNM20252	302	DS	7.89	12	72	230/460	0.5	C	2, 20

<sup>(a)</sup> See notes on inside back flap.

■ Cast Iron Frame



**Synchronous Permanent Magnet, Three Phase, TEFC, Foot Mounted**

1 thru 3 Hp

NEMA 145TC thru 182TC

**Applications:** Synchronous permanent magnet motors are designed for those applications requiring inherent, precise, open-loop speed regulation of individual or multiple interconnected operations.

**Features:** Motor design incorporates permanent magnets imbedded in the rotor to form salient poles that synchronize the load to the frequency applied with zero slip. Steel band frames, top mounted steel conduit box, 1.0 service factor, Class F insulation, 40C ambient, continuous duty. Precision balanced with Max Safe Speed = 6,000 RPM. Inverter Ready design suitable for 10:1 Constant Torque speed range.



Hp	RPM	NEMA Frame	Catalog Number	List Price	Mult. Sym.	"C" Dim.	Aprx. Wt. (lb)	Full Load Efficiency	Voltage	Full Load Amps	EISA Status <sup>(a)</sup>	Notes <sup>(a)</sup>
<b>F1 Mounting</b>												
2	1800	145TC	CSPM3558T	3,293	L1	14.17	55	87.5	230/460	2.5	C	
<b>F3 Mounting</b>												
1	1800	145TC	CSPM3546T	2,909	L1	13.29	37	89.5	230/460	1.2	C	
3	1800	182TC	CSPM3611T	3,930	L1	16.56	71	89.5	230/460	4	C	

<sup>(a)</sup> See notes on inside back flap.



**Three Phase,  
C-Face, TEFC,  
With Internal  
AEGIS™  
Shaft Ground**

**1 thru 7 1/2 Hp**



**NEMA 143TC thru 213TC**



**Applications:** Unit and baggage handling, conveyors, packaging equipment, machine tools, hoists, elevators and door operators.



**Features:** Class H insulated with AEGIS™ shaft grounding ring installed internally. UL/CSA recognized and CE certified. Motors are Super-E® with NEMA Premium® efficiency, and inverter ready. 143-145TCY frame motors have a special base with 56, 143 and 145 slots used on OEM conveyors. 140 frames have low profile F3 top-mounted conduit box. 3 year warranty.

Hp	RPM	NEMA Frame	Catalog Number	List Price	Mult. Sym.	"C" Dim.	Aprx. Wt. (lb)	Full Load Efficiency	Voltage	Full Load Amps	EISA Status (a)	Notes (a)
<b>Foot Mounted</b>												
1	1800	143TCY	<a href="#">CEUHM3546T-G</a>	705	L1	13.29	39	85.5	208-230/460	1.5	A	1, 48
1 1/2	1800	145TCY	<a href="#">CEUHM3554T-G</a>	738	L1	13.29	47	86.5	208-230/460	2.1	A	1, 48
2	1800	145TCY	<a href="#">CEUHM3558T-G</a>	802	L1	14.17	52	86.5	208-230/460	2.7	A	1, 48
3	1800	182TC	<a href="#">CEUHM3611T-G</a>	931	L1	16.55	64	89.5	208-230/460	4.1	A	1, 48
5	1800	184TC	<a href="#">CEUHM3615T-G</a>	1,011	L1	18.05	82	89.5	208-230/460	6.5	A	1, 48
7 1/2	1800	213TC	<a href="#">CEUHM3710T-G</a>	1,408	L1	19.02	140	91.7	208-230/460	9.4	A	1, 48
<b>Footless</b>												
1	1800	143TC	<a href="#">VEUHM3546T-G</a>	701	L1	13.29	42	85.5	208-230/460	1.5	B	1, 48
1 1/2	1800	145TC	<a href="#">VEUHM3554T-G</a>	727	L1	14.17	51	86.5	208-230/460	2.1	B	1, 48
2	1800	145TC	<a href="#">VEUHM3558T-G</a>	796	L1	14.17	51	86.5	208-230/460	2.7	B	1, 48
3	1800	182TC	<a href="#">VEUHM3611T-G</a>	900	L1	16.55	71	89.5	208-230/460	4.1	B	1, 48
5	1800	184TC	<a href="#">VEUHM3615T-G</a>	979	L1	18.05	94	89.5	208-230/460	6.5	B	1, 48
7 1/2	1800	213TC	<a href="#">VEUHM3710T-G</a>	1,395	L1	19.76	127	91.7	208-230/460	9.4	B	1, 48

(a) See notes on inside back flap.

Single and Three Phase, C-Face, TEFC

1/2 thru 5 Hp

NEMA 56C thru 184TC

**Applications:** Unit and baggage handling, conveyors, packaging equipment, machine tools, hoists, elevators and door operators.

**Features:** UL/CSA recognized and CE certified. CEUHM/VEUHM motors are Super-E® with NEMA Premium® efficiency, CUHM/VUHM motors are EPAct efficiency and all are inverter-ready. 143-145TY and 143-145TCY frame motors have a special base with 56, 143 and 145 slots used on OEM conveyors. 56-140 frames have low profile F3 top-mounted conduit box. 3 year warranty on Super-E® motors.



Hp	RPM	NEMA Frame	Catalog Number	List Price	Mult. Sym.	"C" Dim.	Aprx. Wt. (lb)	Full Load Efficiency	Voltage	Full Load Amps	EISA Status (a)	Notes (a)
<b>Single Phase, C-Face, Foot Mounted</b>												
1/2	1800	56C	CUHL3518	432	K	12.22	37	64	115/208-230	4	C	
1	1800	56C	CUHL3519	526	K	13.22	35	67	115/208-230	6.4	C	
<b>Single Phase, C-Face, Footless</b>												
1/2	1800	56C	VUHL3518	409	K	12.22	29	64	115/208-230	4	C	
1	1800	56C	VUHL3519	503	K	13.22	34	67	115/208-230	6.4	C	
<b>Three Phase, C-Face, Foot Mounted</b>												
1/2	1800	56C	CUHM3538	370	K	12.23	29	74	208-230/460	1.2	C	1, 48
3/4	1800	56C	CUHM3542	391	K	12.23	34	75.5	208-230/460	1.1	C	1, 48
1	1800	56C	CUHM3546	419	K	12.23	36	82.5	208-230/460	1.6	C	1, 48
		143TCY	CEUHM3546T	600	L1	13.29	39	85.5	208-230/460	1.5	A	1, 48
		143TCY	CUHM3546T	419	L1	13.29	37	82.5	208-230/460	1.6	D	1, 48
1 1/2	1800	56C	CUHM3554	456	K	13.23	40	84	208-230/460	2.4	C	1, 48
		145TCY	CEUHM3554T	634	L1	14.17	47	86.5	208-230/460	2.1	A	1, 48
		145TCY	CUHM3554T	456	L1	13.29	41	84	208-230/460	2.4	D	1, 48
2	1800	56C	CUHM3558	489	K	13.23	43	84	208-230/460	3.1	C	1, 48
		145TCY	CEUHM3558T	698	L1	14.17	52	86.5	208-230/460	2.6	A	1, 48
		145TCY	CUHM3558T	489	L1	13.29	43	84	208-230/460	3.1	D	1, 48
3	1800	182TC	CEUHM3611T	816	L1	16.55	47	89.5	208-230/460	4.1	A	1, 48
		182TC	CUHM3611T	618	L1	16.56	66	87.5	208-230/460	4.2	D	1, 48
5	1800	184TC	CEUHM3615T	896	L1	18.05	82	89.5	230/460	6.5	A	1, 48
		184TC	CUHM3615T	702	L1	18.05	95	89.5	208-230/460	6.5	D	1, 48
<b>Three Phase, C-Face, Footless</b>												
1/2	1800	56C	VEUHM3538	535	K	13.23	35	82.5	208-230/460	0.8	C	1, 48
		56C	VUHM3538	365	K	13.23	31	74	208-230/460	1.2	C	1, 48
		56C	VUHM3538-5	365	K	13.23	35	82.5	575	0.6	C	1, 48
3/4	1800	56C	VEUHM3542	568	K	13.23	34	84	208-230/460	1.1	C	1, 48
		56C	VUHM3542	387	K	13.23	34	75.5	208-230/460	1.1	C	1, 48
		56C	VUHM3542-5	387	K	13.23	4	75.5	575	0.9	C	1, 48
1	1800	56C	VEUHM3546	585	K	13.23	42	85.5	208-230/460	1.5	C	1, 48
		56C	VUHM3546	414	K	13.23	36	82.5	208-230/460	1.6	C	1, 48
		56C	VUHM3546-5	414	K	13.23	38	82.5	575	1.2	C	1, 48
		143TC	VEUHM3546T	596	L1	13.29	42	85.5	208-230/460	1.5	B	1, 48
		143TC	VEUHM3546T-5	596	L1	13.29	42	85.5	575	1.1	B	48
		143TC	VUHM3546T	447	L1	13.29	35	82.5	208-230/460	1.6	B	1, 48
1 1/2	1800	143TC	VUHM3546T-5	447	L1	13.29	38	82.5	575	1.2	B	1, 48
		56C	VUHM3554	451	K	13.23	40	84	208-230/460	2.4	C	1, 48
		145TC	VEUHM3554T	622	L1	14.17	51	86.5	208-230/460	2.1	B	1, 48
		145TC	VEUHM3554T-5	622	L1	14.17	51	86.5	575	1.6	B	48
1 1/2	1800	145TC	VUHM3554T	487	L1	13.29	40	84	208-230/460	2.4	B	1, 48
		145TC	VUHM3554T-5	487	L1	13.29	42	84	575	1.7	B	1, 48

(a) See notes on inside back flap.

Farm Duty Motors

Definite Purpose Motors

Unit Handling Motors

Brake Motors

200 & 575 Volt Motors

IEC Frame Motors

50 Hertz Motors

Inverter/Vector Motors & Controls

DC Motors and Controls

Soft Start & Dynamic Brakes

**Single and Three Phase, C-Face, TEFC**

Hp	RPM	NEMA Frame	Catalog Number	List Price	Mult. Sym.	"C" Dim.	Aprx. Wt. (lb)	Full Load Efficiency	Voltage	Full Load Amps	EISA Status <sup>(a)</sup>	Notes <sup>(a)</sup>
2	1800	56C	VUHM3558	485	K	13.23	42	84	208-230/460	3.1	C	1, 48
		145TC	VEUHM3558T	691	L1	14.17	51	86.5	208-230/460	2.6	B	1, 48
		145TC	VEUHM3558T-5	691	L1	14.17	51	86.5	575	2.2	B	48
		145TC	VUHM3558T	524	L1	13.29	43	84	208-230/460	3.1	B	1, 48
		145TC	VUHM3558T-5	524	L1	13.29	46	84	575	2.2	B	1, 48
3	1800	182TC	VEUHM3611T	785	L1	16.55	70	89.5	208-230/460	4.1	B	1, 48
		182TC	VUHM3611T	634	L1	16.56	63	87.5	208-230/460	4.2	B	1, 48
5	1800	184TC	VEUHM3615T	864	L1	18.05	94	89.5	230/460	6.5	B	1, 48
		184TC	VUHM3615T	724	L1	18.05	94	89.5	208-230/460	6.5	B	1, 48
7 1/2	1800	213TC	VEUHM3710T	1,274	L1	19.78	141	91.7	230/460	9.4	B	48

<sup>(a)</sup> See notes on inside back flap.

Farm Duty Motors

Definite Purpose Motors

Unit Handling Motors

Brake Motors

200 & 575 Volt Motors

IEC Frame Motors

50 Hertz Motors

Inverter/Vector Motors & Controls

DC Motors and Controls

Soft Starters & Dynamic Brakes

BALDOR • RELIANCE

High Cycle Brake Motor, Three Phase

1/2 thru 3 Hp

NEMA 56C thru 182TC

**Applications:** Unit and baggage handling, conveyors and other applications requiring frequent starting and stopping.



**Features:** UL/CSA recognized and CE certified. Low inertia high efficiency motor with cast aluminum footless frame for increased thermal dissipation specific to this application. An internally connected DC brake with integral rectifier provides for faster action than traditional spring-set brakes. Not suitable for use with inverters 1/2 thru 1 Hp in TENV enclosure; Dodge brake on 1.5 thru 3 Hp as TEFC enclosure.

Hp	RPM	NEMA Frame	Catalog Number	List Price	Mult. Sym.	"C" Dim.	Aprx. Wt. (lb)	Full Load Efficiency	Voltage	Full Load Amps	Brake Rating	EISA Status (a)	Notes (a)
<b>C-Face, Footless</b>													
1/2	1800	56C	VRBM3538	1,233	K	13.61	36	75.5	208-230/460	0.9	3	C	1, 60
3/4	1800	56C	VRBM3542	1,444	K	14.50	41	75	208-230/460	1.3	6	C	1, 60
1	1800	56C	VRBM3546	1,664	K	15.50	46	80	230/460	1.6	6	C	1, 60
		143TC	VRBM3546T	1,780	L1	15.57	46	80	230/460	1.6	6	C	1, 60
1 1/2	1800	145TC	VRBM3554T	1,811	L1	16.31	62	82.5	230/460	2.3	10	C	1
2	1800	145TC	VRBM3558T	1,860	L1	17.68	70	84	230/460	2.9	10	C	1
3	1800	145TC	VRBM3561T	1,916	L1	17.68	75	87.5	230/460	4.1	15	C	1
		182TC	VRBM3161T	2,274	L1	18.68	83	87.5	230/460	4.1	15	C	1

(a) See notes on inside back flap.

D-Series Brake Motor, Single Phase, TEFC

1/2 thru 1 Hp

NEMA 56C

**Applications:** Conveyors, packaging equipment, machine tools, hoists, elevators and door operators.



**Features:** UL/CSA recognized and CE certified. Dodge "D" Series brakes are spring set, magnetically released power off type brakes flange mounted to the motor. Brakes are single phase with built-in rectifier to DC. Brakes have a manual release lever. Leads are brought to the motor conduit box for connecting to the motor leads (56-140 frames) or connecting separately (180-210 frames). D series brake motors can be universally mounted. Low profile top-mounted F3 conduit box. 2 year warranty.

Hp	RPM	NEMA Frame	Catalog Number	List Price	Mult. Sym.	"C" Dim.	Aprx. Wt. (lb)	Full Load Efficiency	Voltage	Full Load Amps	Brake Rating	EISA Status (a)	Notes (a)
<b>C-Face, Foot Mounted</b>													
1/2	1800	56C	CBL3518-D	1,071	K	17.29	52	64	115/208-230	4	3	C	
3/4	1800	56C	CBL3597-D	1,131	K	17.29	53	68	115/208-230	5.5	3	C	
1	1800	56C	CBL3519-D	1,190	K	17.29	47	67	115/208-230	6.4	6	C	
<b>C-Face, Footless</b>													
1/2	1800	56C	VBL3518-D	1,066	K	16.29	49	64	115/208-230	4	3	C	
3/4	1800	56C	VBL3597-D	1,126	K	16.29	50	68	115/208-230	5.5	3	C	
1	1800	56C	VBL3519-D	1,184	K	17.29	56	67	115/208-230	6.4	6	C	

(a) See notes on inside back flap.

Farm Duty Motors

Definite Purpose Motors

Unit Handling Motors

Brake Motors

200 & 575 Volt Motors

IEC Frame Motors

50 Hertz Motors

Inverter/Vector Motors & Controls

DC Motors and Controls

Soft Start & Dynamic Brakes

**D-Series  
Brake Motor,  
Three Phase,  
Totally Enclosed**

**1/2 thru 10 Hp**

**NEMA 56 thru 215T**

**Applications:** Unit and baggage handling, conveyors, packaging equipment, machine tools, hoists, elevators and door operators.

**Features:** UL/CSA recognized and CE certified. Dodge “D” Series brakes are spring set, magnetically released power off type brakes flange mounted to the motor. Brakes are single phase with built-in rectifier to DC. Brakes have a manual release lever. Leads are brought to the motor conduit box for connecting to the motor leads (56-140 frames) or connecting separately (180-210 frames). 56-140 frames have low profile F3 top-mounted conduit box. D series brake motors can be universally mounted. Inverter ready. 143-145TY and 143-145TCY frame motors have a special base with 56, 143 and 145 slots used on OEM conveyors. 2 year warranty.



Hp	RPM	NEMA Frame	Encl.	Catalog Number	List Price	Mult. Sym.	“C” Dim.	Aprx. Wt. (lb)	Full Load Efficiency	Voltage	Full Load Amps	Brake Rating	EISA Status (a)	Notes (a)
<b>Foot Mounted</b>														
1/2	1800	56	TENV	<b>BNM3538-D</b>	816	K	14.96	48	75.5	208-230/460	0.8	6	C	1, 48
3/4	1800	56	TENV	<b>BNM3542-D</b>	1,110	K	14.96	46	78.5	208-230/460	1.4	6	C	1, 48
1	1800	56	TENV	<b>BNM3546-D</b>	1,152	K	15.96	50	85.5	208-230/460	1.4	6	C	1, 48
		145TY	TENV	<b>BNM3546T-D</b>	1,152	L1	16.02	57	85.5	208-230/460	1.4	6	C	1, 48
1 1/2	1800	56	TENV	<b>BNM3554-D</b>	1,195	K	16.83	32	86.5	208-230/460	2	10	C	1, 48
		145TY	TENV	<b>BNM3554T-D</b>	1,195	L1	16.90	64	86.5	208-230/460	2	10	C	1, 48
2	1800	56	TEFC	<b>BM3558-D</b>	1,223	K	17.29	34	84	208-230/460	3.1	10	C	1, 48
		145TY	TEFC	<b>BM3558T-D</b>	1,223	L1	17.35	57	84	208-230/460	3.1	10	D	1, 48
		145TY	TEFC	<b>EBM3558T-D</b>	1,438	L1	17.35	66	86.5	208-230/460	2.7	10	A	1, 48
3	1800	182T	TEFC	<b>BM3611T-D</b>	1,658	L1	20.61	78	87.5	208-230/460	4.2	15	D	1, 48
		182T	TEFC	<b>EBM3611T-D</b>	1,862	L1	21.64	76	89.5	230/460	4.2	15	A	1, 48
5	1800	184T	TEFC	<b>BM3615T-D</b>	2,059	L1	23.14	114	89.5	208-230/460	6.5	15	D	1, 48
		184T	TEFC	<b>EBM3615T-D</b>	2,252	L1	23.14	92	89.5	230/460	6.5	25	A	1, 48
7 1/2	1800	213T	TEFC	<b>BM3710T-D</b>	2,646	L1	24.29	162	89.5	208-230/460	10.1	25	D	1, 48
		213T	TEFC	<b>EBM3710T-D</b>	3,028	L1	25.42	170	91.7	230/460	9.4	25	A	1, 48
10	1800	215T	TEFC	<b>EBM3714T-D</b>	3,727	L1	26.92	165	91.7	208-230/460	12	50	A	1, 48
<b>C-Face, Foot Mounted</b>														
2	1800	145TCY	TEFC	<b>CBM3558T-D</b>	1,305	L1	17.35	57	84	208-230/460	3.1	10	D	1, 48
		145TY	TEFC	<b>CEBM3558T-D</b>	1,519	L1	18.23	66	86.5	208-230/460	2.7	10	A	1, 48
3	1800	182TC	TEFC	<b>CBM3611T-D</b>	1,720	L1	20.62	85	87.5	208-230/460	4.2	15	D	1, 48
		182TC	TEFC	<b>CEBM3611T-D</b>	1,925	L1	21.64	83	89.5	230/460	4.2	15	A	1, 48
5	1800	184TC	TEFC	<b>CBM3615T-D</b>	2,039	L1	23.14	108	89.5	208-230/460	6.5	25	D	1, 48
		184TC	TEFC	<b>CEBM3615T-D</b>	2,232	L1	23.14	126	89.5	230/460	6.5	25	A	1, 48
7 1/2	1800	213TC	TEFC	<b>CBM3710T-D</b>	2,766	L1	25.01	162	89.5	208-230/460	10.1	25	D	1, 48
		213TC	TEFC	<b>CEBM3710T-D</b>	3,148	L1	26.17	169	91.7	230/460	9.4	25	A	1, 48
10	1800	215TC	TEFC	<b>CBM3714T-D</b>	3,486	L1	26.17	174	89.5	208-230/460	13.5	35	D	1, 48
		215TC	TEFC	<b>CEBM3714T-D</b>	3,848	L1	27.67	203	91.7	230/460	12.5	35	A	1, 48
<b>C-Face, Footless</b>														
1/2	1800	56C	TEFC	<b>VBM3538-5D</b>	1,062	K	16.29	25	74	575	0.9	3	C	1, 48
		56C	TEFC	<b>VBM3538-D</b>	1,062	K	16.29	27	74	208-230/460	1.2	3	C	1, 48
		56C	TENV	<b>VBNM3538-D</b>	1,087	K	15.96	49	75.5	208-230/460-480	0.8	3	C	1, 48
3/4	1800	56C	TEFC	<b>VBM3542-D</b>	1,103	K	16.29	52	84	208-230/460	1.1	6	C	1, 48
		56C	TENV	<b>VBNM3542-D</b>	1,128	K	15.96	50	78.5	208-230/460	1.4	6	C	1, 48
1	1800	56C	TEFC	<b>VBM3546-D</b>	1,153	K	16.29	52	82.5	208-230/460	1.6	6	C	1, 48
		56C	TENV	<b>VBNM3546-D</b>	1,179	K	15.96	56	85.5	208-230/460	1.4	6	C	1, 48
		56C	TEFC	<b>VEBM3546-D</b>	1,352	K	17.29	40	85.5	208-230/460	1.5	6	C	1, 48
		143TC	TEFC	<b>VBM3546T-5D</b>	1,245	L1	16.35	50	82.5	575	1.2	6	B	1, 48
		143TC	TEFC	<b>VBM3546T-D</b>	1,245	L1	16.35	49	82.5	208-230/460	1.6	6	B	1, 48
		143TC	TENV	<b>VBNM3546T-D</b>	1,179	L1	16.02	57	85.5	208-230/460	1.4	6	C	1, 48
		143TC	TEFC	<b>VEBM3546T-5D</b>	1,352	L1	17.35	40	85.5	575	1.5	6	B	1, 48
		143TC	TEFC	<b>VEBM3546T-D</b>	1,352	L1	17.35	40	85.5	208-230/460	1.5	6	B	1, 48

(a) See notes on inside back flap.

Farm Duty Motors

Definite Purpose Motors

Unit Handling Motors

Brake Motors

200 & 575 Volt Motors

IEC Frame Motors

50 Hertz Motors

Inverter/Vector Motors & Controls

DC Motors and Controls

Soft Starters & Dynamic Brakes

D-Series Brake Motor, Three Phase, Totally Enclosed

Hp	RPM	NEMA Frame	Encl.	Catalog Number	List Price	Mult. Sym.	"C" Dim.	Aprx. Wt. (lb)	Full Load Efficiency	Voltage	Full Load Amps	Brake Rating	EISA Status (a)	Notes (a)
1 1/2	1800	56C	TEFC	<b>VBM3554-D</b>	1,196	K	17.29	57	84	208-230/460	2.4	10	C	1, 48
		56C	TENV	<b>VBNM3554-D</b>	1,221	K	16.83	65	86.5	208-230/460	2	10	C	1, 48
		56C	TEFC	<b>VEBM3554-D</b>	1,408	K	18.22	52	86.5	208-230/460	2.1	10	C	1, 48
		145TC	TEFC	<b>VBM3554T-5D</b>	1,292	L1	17.35	57	84	575	1.7	10	B	1, 48
		145TC	TEFC	<b>VBM3554T-D</b>	1,292	L1	17.35	54	84	208-230/460	2.4	10	B	1, 48
		145TC	TENV	<b>VBNM3554T-D</b>	1,221	L1	16.83	65	86.5	208-230/460	2	10	C	1, 48
		145TC	TEFC	<b>VEBM3554T-5D</b>	1,408	L1	18.60	53	86.5	575	1.6	10	B	1, 48
		145TC	TEFC	<b>VEBM3554T-D</b>	1,408	L1	18.60	53	86.5	208-230/460	2.1	10	B	1, 48
2	1800	56C	TEFC	<b>VBM3558-D</b>	1,223	K	17.29	56	84	208-230/460	3.1	10	C	1, 48
		145TC	TEFC	<b>VBM3558T-5D</b>	1,321	L1	17.35	31	84	575	2.2	10	B	1, 48
		145TC	TEFC	<b>VBM3558T-D</b>	1,321	L1	17.35	57	84	208-230/460	3.1	10	B	1, 48
		145TC	TEFC	<b>VEBM3558T-5D</b>	1,438	L1	18.23	40	86.5	575	2.2	10	B	1, 48
		145TC	TEFC	<b>VEBM3558T-D</b>	1,438	L1	18.23	40	86.5	208-230/460	2.7	10	B	1, 48
3	1800	182TC	TEFC	<b>VBM3611T-5D</b>	1,830	L1	20.62	65	87.5	575	3.4	15	B	1, 48
		182TC	TEFC	<b>VBM3611T-D</b>	1,830	L1	20.62	82	87.5	208-230/460	4.2	15	B	1, 48
		182TC	TEFC	<b>VEBM3611T-5D</b>	1,898	L1	23.14	79	89.5	575	3.1	15	B	1, 48
		182TC	TEFC	<b>VEBM3611T-D</b>	1,898	L1	23.14	79	89.5	230/460	4.2	15	B	1, 48
5	1800	184TC	TEFC	<b>VBM3615T-5D</b>	2,263	L1	23.14	114	90.2	575	5.2	15	B	1, 48
		184TC	TEFC	<b>VBM3615T-D</b>	2,263	L1	23.14	122	89.5	208-230/460	6.5	15	B	1, 48
		184TC	TEFC	<b>VEBM3615T-5D</b>	2,289	L1	23.14	120	89.5	575	5.2	15	B	1, 48
		184TC	TEFC	<b>VEBM3615T-D</b>	2,289	L1	23.14	120	89.5	230/460	6.5	15	B	1, 48
7 1/2	1800	213TC	TEFC	<b>VBM3710T-D</b>	2,952	L1	25.01	162	89.5	208-230/460	10.1	25	B	1, 48
		213TC	TEFC	<b>VEBM3710T-D</b>	3,116	L1	26.17	170	91.7	230/460	9.4	25	B	1, 48
10	1800	215TC	TEFC	<b>VBM3714T-D</b>	3,730	L1	26.17	174	89.5	208-230/460	13.5	35	B	1, 48

(a) See notes on inside back flap.

Farm Duty Motors

Definite Purpose Motors

Unit Handling Motors

Brake Motors

200 & 575 Volt Motors

IEC Frame Motors

50 Hertz Motors

Inverter/Vector Motors & Controls

DC Motors and Controls

Soft Start & Dynamic Brakes



**Short Series  
Brake Motor,  
Three Phase, TEFC,  
With Internal  
AEGIS™  
Shaft Ground**

1 thru 5 Hp



NEMA 143T thru 184T



**Applications:** Unit and baggage handling, conveyors, packaging equipment, machine tools, hoists, elevators and door operators.



**Features:** Class H insulated with AEGIS™ shaft grounding ring installed internally. UL/CSA recognized and CE certified. Dodge short series brakes are spring set, magnetically released power off type brakes and integrally mounted in the motor for the most compact design. Brakes are single phase with built-in rectifier to DC. Brakes have a manual release lever. Leads are brought to the motor conduit box for connecting to the motor leads (56-140 frames) or connecting separately (180-210 frames). 140 frames have low profile F3 top-mounted conduit box. SSB brake motors can be universally mounted and are inverter ready. 143-145TY frame motors have a special base with 56, 143 and 145 slots used on OEM conveyors. Super-E® NEMA Premium® efficiency. 3 year warranty.

Hp	RPM	NEMA Frame	Catalog Number	List Price	Mult. Sym.	"C" Dim.	Aprx. Wt. (lb)	Full Load Efficiency	Voltage	Full Load Amps	Brake Rating	EISA Status (a)	Notes (a)
<b>Foot Mounted</b>													
1	1800	143TY	<b>EBM3546T-SG</b>	1,399	L1	15.43	49	85.5	208-230/460	1.5	6	C	1, 48
1 1/2	1800	145TY	<b>EBM3554T-SG</b>	1,452	L1	16.31	59	86.5	208-230/460	2.1	10	C	1, 48
2	1800	145TY	<b>EBM3558T-SG</b>	1,483	L1	16.31	62	86.5	208-230/460	2.7	10	C	1, 48
3	1800	182T	<b>EBM3611T-SG</b>	1,895	L1	20.55	72	89.5	208-230/460	4.2	15	C	1, 48
5	1800	184T	<b>EBM3615T-SG</b>	2,264	L1	20.55	88	89.5	208-230/460	6.5	25	C	1, 48
<b>C-Face, Footless</b>													
1	1800	143TC	<b>VEBM3546T-SG</b>	1,400	L1	15.68	47	85.5	208-230/460	1.5	6	C	1, 48
1 1/2	1800	145TC	<b>VEBM3554T-SG</b>	1,455	L1	16.68	59	86.5	208-230/460	2.1	10	C	1, 48
2	1800	145TC	<b>VEBM3558T-SG</b>	1,483	L1	16.24	67	86.5	208-230/460	2.7	10	C	1, 48
3	1800	182TC	<b>VEBM3611T-SG</b>	1,929	L1	20.55	77	89.5	208-230/460	4.2	15	C	1, 48
5	1800	184TC	<b>VEBM3615T-SG</b>	2,299	L1	20.55	115	89.5	208-230/460	6.5	15	C	1, 48

(a) See notes on inside back flap.

Farm Duty Motors  
Definite Purpose Motors  
Unit Handling Motors  
Brake Motors  
200 & 575 Volt Motors  
IEC Frame Motors  
50 Hertz Motors  
Inverter/Vector Motors & Controls  
DC Motors and Controls  
Soft Starters & Dynamic Brakes

**Short Series  
Brake Motor,  
Three Phase,  
TEFC**

1/2 thru 5 Hp

NEMA 56 thru 184TC

**Applications:** Unit and baggage handling, conveyors, packaging equipment, machine tools, hoists, elevators and door operators.

**Features:** UL/CSA recognized and CE certified. Dodge short series brakes are spring set, magnetically released power off type brakes and integrally mounted in the motor for the most compact design. Brakes are single phase with built-in rectifier to DC. Brakes have a manual release lever. Leads are brought to the motor conduit box for connecting to the motor leads (56-140 frames) or connecting separately (180-210 frames). 56-140 frames have low profile F3 top-mounted conduit box. Inverter ready. SSB brake motors can be universally mounted and are inverter ready. 143-145TY frame motors have a special base with 56, 143 and 145 slots used on OEM conveyors.



Hp	RPM	NEMA Frame	Catalog Number	List Price	Mult. Sym.	"C" Dim.	Aprx. Wt. (lb)	Full Load Efficiency	Voltage	Full Load Amps	Brake Rating	EISA Status (a)	Notes (a)
<b>Foot Mounted</b>													
1/2	1800	56	<b>BM3538-S</b>	1,016	K	14.37	42	74	208-230/460	1.2	3	C	1, 48
3/4	1800	56	<b>BM3542-S</b>	1,056	K	14.37	47	84	208-230/460	1.1	3	C	1, 48
1	1800	56	<b>BM3546-S</b>	1,095	K	14.37	47	82.5	208-230/460	1.6	6	C	1, 48
		143TY	<b>BM3546T-S</b>	1,095	L1	15.43	51	82.5	208-230/460	1.6	6	C	1, 48
1 1/2	1800	145TY	<b>BM3554T-S</b>	1,135	L1	15.43	55	84	208-230/460	2.4	10	C	1, 48
2	1800	145TY	<b>BM3558T-S</b>	1,164	L1	15.43	53	84	208-230/460	3.1	10	C	1, 48
3	1800	182T	<b>BM3611T-S</b>	1,576	L1	18.68	79	87.5	208-230/460	4.2	15	C	1, 48
5	1800	184T	<b>BM3615T-S</b>	1,955	L1	19.05	97	87.5	208-230/460	7.1	25	C	1, 48
<b>C-Face, Footless</b>													
1/2	1800	56C	<b>VBM3538-5S</b>	1,008	K	14.37	47	82.5	575	0.6	3	C	1, 48
		56C	<b>VBM3538-S</b>	1,008	K	14.37	44	74	208-230/460	1.2	3	C	1, 48
3/4	1800	56C	<b>VBM3542-S</b>	1,049	K	14.37	50	84	208-230/460	1.1	3	C	1, 48
1	1800	56C	<b>VBM3546-5S</b>	1,097	K	14.37	47	82.5	575	1.2	6	C	1, 48
		56C	<b>VBM3546-S</b>	1,097	K	14.37	49	82.5	208-230/460	1.6	6	C	1, 48
		143TC	<b>VBM3546T-S</b>	1,097	L1	14.43	49	82.5	208-230/460	1.6	6	C	1, 48
1 1/2	1800	56C	<b>VBM3554-S</b>	1,137	K	15.37	51	84	208-230/460	2.4	10	C	1, 48
		145TC	<b>VBM3554T-5S</b>	1,137	L1	15.43	52	84	575	1.7	10	C	1, 48
		145TC	<b>VBM3554T-S</b>	1,137	L1	15.43	51	84	208-230/460	2.4	10	C	1, 48
2	1800	56C	<b>VBM3558-S</b>	1,164	K	15.37	57	84	208-230/460	3.1	10	C	1, 48
		145TC	<b>VBM3558T-5S</b>	1,164	L1	15.43	58	84	575	2.2	10	C	1, 48
		145TC	<b>VBM3558T-S</b>	1,164	L1	15.43	56	84	208-230/460	3.1	10	C	1, 48
3	1800	182TC	<b>VBM3611T-S</b>	1,609	L1	18.68	80	87.5	208-230/460	4.2	15	C	1, 48
5	1800	184TC	<b>VBM3615T-S</b>	1,990	L1	19.05	97	87.5	208-230/460	7.1	25	C	1, 48

(a) See notes on inside back flap.

**D-Series and SSB Fast Response Brake Kit**

Frame	Enclosure	Catalog Number	Voltage	Aprx. Wt. (lb)	List Price	Mult. Sym.
56 - 180	TENV, TEFC, SSB	<b>FBRK115230</b>	115/230	1	114	A8
56 - 180	TENV, TEFC, SSB	<b>FBRK230460</b>	230/460	1	125	A8

Farm Duty Motors

Definite Purpose Motors

Unit Handling Motors

Brake Motors

200 & 575 Volt Motors

IEC Frame Motors

50 Hertz Motors

Inverter/Vector Motors & Controls

DC Motors and Controls

Soft Start & Dynamic Brakes

**Three Phase,  
Super-E  
Premium Efficient,  
TEFC**

**1 thru 30 Hp**

**NEMA 56 thru 284T**

**Applications:** Machine tools, conveyors, door operators, speed reducers, any application requiring quick stops and positive hold.



**Features:** Standard NEMA BA dimension. (C-Face may be added in ModExpress to EBM motors for C-Face with base). Spring-set brake. Power off manual release. Resets automatically. Class F insulated with 1.15 service factor. Motors have NEMA Premium® Efficiency and are suitable for inverter use. 230/460V brakes are connected in conduit box allowing for separate connection when used with an inverter.

Hp	RPM	NEMA Frame	Catalog Number	List Price	Mult. Sym.	"C" Dim.	Aprx. Wt. (lb)	Full Load Efficiency	Voltage	Full Load Amps	Brake Rating	EISA Status (a)	Notes (a)
<b>Foot Mounted</b>													
1	1800	56	EBM3546	1,348	K	17.80	48	85.5	208-230/460	1.5	6	C	41
		143T	EBM3546T	1,375	L1	17.86	47	85.5	208-230/460	1.5	6	C	41
1 1/2	1800	145T	EBM3554T	1,548	L1	18.74	52	86.5	208-230/460	2.1	10	C	41
2	1800	145T	EBM3558T	1,582	L1	18.74	59	86.5	208-230/460	2.7	10	C	41
3	1800	182T	EBM3611T	2,050	L1	21.12	86	89.5	208-230/460	4.1	15	C	41
5	1800	184T	EBM3615T	2,485	L1	22.65	109	89.5	230/460	6.5	25	C	30, 40
7 1/2	1800	213T	EBM3710T	3,333	L1	27.20	158	91.7	230/460	9.4	35	C	30, 40
10	1800	215T	EBM3714T	4,120	L1	29.19	176	91.7	208-230/460	12	50	C	40
15	1800	254T	EBM2333T	5,829	L1	33.07	280	92.4	230/460	18.5	75	A	30
20	1800	256T	EBM2334T	7,068	L1	33.57	331	93	230/460	24	105	A	30
25	1800	284T	EBM4103T	7,955	L1	39.66	504	93.6	230/460	30	105	A	30
30	1800	284T	EBM4104T	10,775	L1	42.84	701	93.6	230/460	37	125	A	30
<b>C-Face, Footless</b>													
1/2	1800	56C	VEBNM3538	1,227	K	15.26	41	82.5	208-230/460	0.8	3	C	41
3/4	1800	56C	VEBNM3542	1,380	K	15.26	41	84	208-230/460	1.1	6	C	41
1	1800	56C	VEBM3546	1,398	K	17.80	52	85.5	208-230/460	1.5	6	C	41
		143TC	VEBM3546T	1,408	L1	17.86	49	85.5	208-230/460	1.5	6	C	41
1 1/2	1800	56C	VEBM3554	1,572	K	18.67	58	86.5	208-230/460	2.1	6	C	41
		145TC	VEBM3554T	1,582	L1	18.74	59	86.5	208-230/460	2.1	10	C	41
2	1800	56C	VEBM3558	1,615	K	18.67	58	86.5	208-230/460	2.6	6	C	
		145TC	VEBM3558T	1,615	L1	18.74	57	86.5	208-230/460	2.7	10	C	41
3	1800	182TC	VEBM3611T	2,116	L1	21.11	81	89.5	208-230/460	4.1	15	C	41
5	1800	184TC	VEBM3615T	2,548	L1	23.06	104	89.5	230/460	6.5	25	C	30, 40
7 1/2	1800	213TC	VEBM3710T	3,479	L1	27.95	171	91.7	230/460	9.4	35	C	30, 40
10	1800	215TC	VEBM3714T	4,266	L1	29.95	158	91.7	208-230/460	12	50	C	30, 40

(a) See notes on inside back flap.

■ Cast Iron Frame

Farm Duty Motors

Definite Purpose Motors

Unit Handling Motors

Brake Motors

200 & 575 Volt Motors

IEC Frame Motors

50 Hertz Motors

Inverter/Vector Motors & Controls

DC Motors and Controls

Soft Starters & Dynamic Brakes

**Single and Three Phase, TEFC, Foot Mounted**

**1/4 thru 30 Hp**

**NEMA 56 thru 286T**

**Applications:** Machine tools, conveyors, door operators, speed reducers, any application requiring quick stops and positive hold.



**Features:** Spring-set brake. Power off operation manual release. Resets automatically. Brakes internally connected to motor on 215T and smaller.

Hp	RPM	NEMA Frame	Catalog Number	List Price	Mult. Sym.	"C" Dim.	Aprx. Wt. (lb)	Full Load Efficiency	Voltage	Full Load Amps	Brake Rating	EISA Status (a)	Notes (a)
<b>Single Phase</b>													
1/4	1800	56	<b>BL3516</b>	770	K	14.36	28	59.5	115/230	2.1	3	C	2, 30, 41, 60
1/3	1800	56	<b>BL3517</b>	812	K	15.46	29	60	115/230	3	3	C	30, 41
1/2	1800	56	<b>BL3518</b>	881	K	16.08	33	68	115/230	3.7	3	C	30, 41
3/4	1800	56	<b>BL3507</b>	1,157	K	16.71	40	72	115/230	4.2	6	C	30, 41
1	1800	56	<b>BL3510</b>	1,225	K	17.11	48	68	115/230	6.4	6	C	30, 41
<b>Three Phase</b>													
1/4	1800	56	<b>BM3568</b>	739	K	14.36	27	68	208-230/460	0.5	3	C	2, 41, 60
1/3	1800	56	<b>BM3569</b>	782	K	14.36	28	70	208-230/460	0.7	3	C	2, 41, 60
1/2	1800	56	<b>BM3538</b>	850	K	14.98	31	75.5	208-230/460	0.9	3	C	2, 41, 60
	1200	56	<b>BM3539</b>	1,171	K	16.45	29	72	230/460	1.2	6	C	30, 41
3/4	1800	56	<b>BM3542</b>	994	K	16.45	32	75.5	208-230/460	1.5	6	C	41
	1200	56	<b>BM3543</b>	1,229	K	17.45	39	77	208-230/460	1.5	6	C	41
1	1800	56	<b>BM3546</b>	1,154	K	17.45	38	78.5	208-230/460	1.7	6	C	41
		143T	<b>BM3546T</b>	1,154	L1	17.01	39	78.5	208-230/460	1.7	6	C	41
		182	<b>BM3603</b>	1,599	L1	17.49	42	75.5	208-230/460	1.8	6	C	41
1200	145T	<b>BM3556T</b>	1,643	L1	17.49	48	75.5	208-230/460	1.7	10	C	41	
	1 1/2	1800	56	<b>BM3554</b>	1,295	K	17.11	43	84	208-230/460	2.4	10	C
145T		<b>BM3554T</b>	1,295	L1	17.49	44	84	208-230/460	2.4	10	C	41	
184		<b>BM3606</b>	1,710	L1	17.49	48	78.5	208-230/460	2.5	10	C	41	
2	1800	56	<b>BM3558</b>	1,327	K	17.11	50	82.5	208-230/460	3.1	10	C	41
		145T	<b>BM3558T</b>	1,327	L1	17.49	52	82.5	208-230/460	3.1	10	C	41
		184	<b>BM3609</b>	1,780	L1	17.49	52	82.5	208-230/460	3.1	10	C	41
1200	184T	<b>BM3614T</b>	2,199	L1	20.57	75	80	208-230/460	3.3	15	C	41	
3	1800	182T	<b>BM3611T</b>	1,798	L1	19.19	66	82.5	208-230/460	4.3	15	C	1, 41
		213	<b>BM3703</b>	2,689	L1	22.42	76	82.5	208-230/460	4.3	15	C	1
		213T	<b>BM3704T</b>	3,258	L1	25.88	154	84	208-230/460	4.8	35	C	1, 40
5	1800	184T	<b>BM3615T</b>	2,231	L1	21.02	88	85.5	208-230/460	6.6	25	C	1, 40
		184T	<b>BM3635T</b>	1,896	L1	20.57	84	85.5	208-230/460	6.6	15	C	1
		215	<b>BM3707</b>	3,289	L1	22.87	91	85.5	208-230/460	6.6	25	C	1, 40
7 1/2	1800	213T	<b>BM3710T</b>	2,868	L1	25.88	162	87.5	208-230/460	10.9	35	C	1, 40
		213T	<b>BM3730T</b>	2,722	L1	25.88	157	89.5	208-230/460	10.1	25	C	1, 40
10	1800	215T	<b>BM3714T</b>	3,649	L1	27.51	174	89.5	208-230/460	13.5	50	C	1, 2, 20
		215T	<b>BM3734T</b>	3,021	L1	27.01	166	89.5	208-230/460	13.5	35	C	1, 2, 20, 40
15	1800	254T	<b>BM2353T</b>	4,417	L1	29.38	270	89.5	208-230/460	18.9	50	C	1
20	1800	256T	<b>BM2334T</b>	6,071	L1	31.63	327	91	230/460	25	105	C	1, 30
		256T	<b>BM2354T</b>	5,133	L1	31.13	322	91	230/460	25	75	C	1, 30
25	1800	284T	<b>BM4103T</b>	6,428	L1	35.83	380	92.4	230/460	32	105	C	1, 30
30	1800	286T	<b>BM4104T</b>	9,015	L1	39.13	533	92.4	230/460	38	125	C	1, 30

(a) See notes on inside back flap.

Enclosed brake motors have non-standard "BA" dimension except for TENV ratings.

■ Cast Iron Frame

Farm Duty Motors

Definite Purpose Motors

Unit Handling Motors

Brake Motors

200 & 575 Volt Motors

IEC Frame Motors

50 Hertz Motors

Inverter/Vector Motors & Controls

DC Motors and Controls

Soft Start & Dynamic Brakes

**Single and Three Phase, TEFC, C-Face**

**1/4 thru 10 Hp**

**NEMA 56C thru 215TC**

**Applications:** Machine tools, conveyors, door operators, speed reducers, any application requiring quick stops and positive hold.



**Features:** Spring-set brake. Power off operation manual release. Resets automatically. Brakes internally connected to motor on 215T and smaller.

Hp	RPM	NEMA Frame	Catalog Number	List Price	Mult. Sym.	"C" Dim.	Aprx. Wt. (lb)	Full Load Efficiency	Voltage	Full Load Amps	Brake Rating	EISA Status (a)	Notes (a)
<b>Single Phase, C-Face, Footless</b>													
1/3	1800	56C	<b>KBL3406</b>	828	K	15.45	28	60	115/230	3	3	C	30, 41
1/2	1800	56C	<b>KBL3409</b>	909	K	16.07	33	68	115/230	3.7	3	C	30, 41
3/4	1800	56C	<b>VBL3507</b>	1,179	K	16.82	41	72	115/230	4.2	6	C	30, 41
1	1800	56C	<b>VBL3510</b>	1,250	K	17.80	48	68	115/230	6.4	6	C	30, 41
		143TC	<b>VBL3510T</b>	1,250	L1	17.86	49	68	115/230	6.4	6	C	30, 41
<b>Three Phase, C-Face, Foot Mounted</b>													
1	1800	143TC	<b>CBM3546T</b>	1,210	L1	17.86	42	75.5	208-230/460	1.8	6	C	41
1 1/2	1800	145TC	<b>CBM3554T</b>	1,357	L1	17.86	46	78.5	208-230/460	2.5	10	C	41
2	1800	145TC	<b>CBM3558T</b>	1,395	L1	17.86	53	82.5	208-230/460	3.1	10	C	41
3	1800	182TC	<b>CBM3611T</b>	1,883	L1	19.74	75	82.5	208-230/460	4.3	15	C	1, 41
5	1800	184TC	<b>CBM3615T</b>	2,354	L1	21.56	90	85.5	208-230/460	6.6	25	C	8
7 1/2	1800	213TC	<b>CBM3710T</b>	3,001	L1	26.83	163	87.5	208-230/460	10.9	35	C	1
10	1800	215TC	<b>CBM3714T</b>	3,855	L1	28.45	166	89.5	208-230/460	13.5	50	C	1
<b>Three Phase, C-Face, Footless</b>													
1/4	1800	56C	<b>KBM3454</b>	734	K	14.36	26	68	208-230/460	0.5	3	C	2, 41, 60
1/3	1800	56C	<b>KBM3458</b>	780	K	14.36	28	70	208-230/460	0.7	3	C	2, 41, 60
1/2	1800	56C	<b>VBM3538</b>	869	K	14.98	31	75.5	208-230/460	0.9	3	C	2, 41, 60
		56C	<b>VBM3542</b>	1,018	K	15.86	37	75	208-230/460	1.3	6	C	2, 41, 60
3/4	1800	56C	<b>VBM3542-5</b>	1,018	K	15.26	42	80	575	0.9	6	C	2, 41, 60
		56C	<b>VBM3546</b>	1,172	K	16.95	38	78.5	208-230/460	1.7	6	C	41
		143TC	<b>VBM3546T</b>	1,172	L1	17.02	39	78.5	208-230/460	1.7	6	C	41
1 1/2	1800	143TC	<b>VBM3546T-5</b>	1,172	L1	16.86	39	75	575	1.4	6	C	41
		56C	<b>VBM3554</b>	1,316	K	17.80	48	84	208-230/460	2.4	10	C	41
2	1800	145TC	<b>VBM3554T</b>	1,316	L1	17.86	52	84	208-230/460	2.4	10	C	41
		56C	<b>VBM3558</b>	1,349	K	17.80	52	82.5	208-230/460	3.1	10	C	41
3	1800	145TC	<b>VBM3558T</b>	1,349	L1	17.86	51	82.5	208-230/460	3.1	10	C	41
		182TC	<b>VBM3611T</b>	1,886	L1	19.74	67	82.5	208-230/460	4.3	15	C	1, 41
5	1800	184TC	<b>VBM3615T</b>	2,330	L1	21.56	85	85.5	208-230/460	6.6	25	C	1, 40
7 1/2	1800	213TC	<b>VBM3710T</b>	2,985	L1	26.83	161	87.5	208-230/460	10.9	35	C	1, 40
10	1800	215TC	<b>VBM3714T</b>	3,788	L1	28.45	171	89.5	208-230/460	13.5	50	C	1

(a) See notes on inside back flap.

If brake motors are to be used with any electronic control, soft start, inverter or vector etc., then brake must be externally connected.

**BRAKE INTERNALLY CONNECTED TO MOTOR ON 215T OR SMALLER NEMA FRAMES.**

Farm Duty Motors

Definite Purpose Motors

Unit Handling Motors

Brake Motors

200 & 575 Volt Motors

IEC Frame Motors

50 Hertz Motors

Inverter/Vector Motors & Controls

DC Motors and Controls

Soft Starters & Dynamic Brakes

**Three Phase, ODP**

**1/2 thru 15 Hp**

**NEMA 56 thru 254T**

**Applications:** Machine tools, conveyors, door operators, speed reducers, any application requiring quick stops and positive hold.



**Features:** Spring-set brake. Power off operation manual release. Resets automatically. Brakes internally connected to motor on 215T and smaller.

Hp	RPM	NEMA Frame	Catalog Number	List Price	Mult. Sym.	"C" Dim.	Aprx. Wt. (lb)	Full Load Efficiency	Voltage	Full Load Amps	Brake Rating	EISA Status (a)	Notes (a)
<b>Foot Mounted</b>													
1/2	1800	56	<b>BM3108</b>	800	K	14.14	27	74	230/460	1	3	C	30, 41
3/4	1800	56	<b>BM3112</b>	932	K	14.77	31	75.5	208-230/460	1.5	6	C	41
1	1800	56	<b>BM3116</b>	1,014	K	15.64	34	78.5	208-230/460	1.7	3	C	41
		143T	<b>EBM3116T</b>	1,184	L1	16.37	45	85.5	208-230/460	1.5	6	A	
1 1/2	1800	145T	<b>BM3154T</b>	1,182	L1	15.32	41	78.5	208-230/460	2.4	10	D	41
		145T	<b>EBM3154T</b>	1,312	L1	17.20	44	86.5	230/460	2.1	10	A	41
2	1800	145T	<b>BM3157T</b>	1,336	L1	16.32	47	78.5	208-230/460	3.2	10	D	41
		145T	<b>EBM3157T</b>	1,497	L1	17.20	50	86.5	230/460	2.8	10	A	41
3	1800	182T	<b>EBM3211T</b>	1,836	L1	19.57	72	89.5	208-230/460	4.1	15	A	
5	1800	184T	<b>EBM3218T</b>	2,269	L1	21.52	92	89.5	208-230/460	6.4	25	A	
		184T	<b>EBM3248T</b>	1,950	L1	21.07	92	89.5	208-230/460	6.4	15	A	
7 1/2	1800	213T	<b>EBM3311T</b>	2,852	L1	24.45	120	91	208-230/460	9.7	35	A	
10	1800	215T	<b>EBM3313T</b>	3,583	L1	26.08	132	91.7	208-230/460	12.5	50	A	
15	1800	254T	<b>EBM2513T</b>	4,739	L1	29.88	234	93	208-230/460	17.7	75	A	
<b>C-Face, Footless</b>													
1/2	1800	56C	<b>VBM3108</b>	819	K	14.36	28	74	230/460	1	3	C	30, 41
3/4	1800	56C	<b>VBM3112</b>	957	K	15.36	32	75.5	208-230/460	1.5	6	C	41
1	1800	56C	<b>VBM3116</b>	1,036	K	15.36	34	78.5	208-230/460	1.7	6	C	41
		143TC	<b>VBM3116T</b>	1,119	L1	15.53	34	78.5	208-230/460	1.7	6	B	41
1 1/2	1800	56C	<b>VBM3154</b>	1,204	K	15.26	42	78.5	208-230/460	2.4	10	C	41
		145TC	<b>VBM3154T</b>	1,300	L1	15.32	42	84	208-230/460	2.4	10	B	41
2	1800	145TC	<b>VBM3157T</b>	1,465	L1	16.32	47	78.5	208-230/460	3.2	10	B	41
3	1800	182TC	<b>VBM3211T</b>	1,856	L1	19.57	74	82.5	208-230/460	4.3	15	B	41
5	1800	184TC	<b>VBM3218T</b>	2,303	L1	20.02	77	82.5	208-230/460	7	25	B	40
		184TC	<b>VBM3248T</b>	1,937	L1	19.57	74	82.5	208-230/460	7	15	B	40

(a) See notes on inside back flap.

If brake motors are to be used with any electronic control, soft start, inverter or vector etc., then brake must be externally connected.

**ALL BRAKE MOTORS WITH 20 FT.-LB OR SMALLER BRAKES CAN BE MOUNTED HORIZONTAL OR VERTICAL. FOR LARGER RATINGS CONSULT A BALDOR DISTRICT OFFICE. ALL MOTORS INCLUDE MANUAL RELEASE BRAKES AS STANDARD. BRAKES ON NON-EXPLOSION PROOF MOTORS 10 HP AND BELOW ARE INTERNALLY CONNECTED.**

Farm Duty Motors

Definite Purpose Motors

Unit Handling Motors

Brake Motors

200 & 575 Volt Motors

IEC Frame Motors

50 Hertz Motors

Inverter/Vector Motors & Controls

DC Motors and Controls

Soft Start & Dynamic Brakes



**Three Phase,  
Explosion Proof,  
C-Face**

1/2 thru 5 Hp

NEMA 56C thru 215TC

**Applications:** Machine tools, conveyors, door operators, speed reducers, any application requiring quick stops and positive hold.



**Features:** Spring-set brake. Power off operation manual release. Resets automatically. Explosion proof brakes require external connections.

Hp	RPM	NEMA Frame	Encl.	Catalog Number	XP (a) CIs/Grp	List Price	Mult. Sym.	"C" Dim.	Aprx. Wt. (lb)	Full Load Efficiency	Voltage	Full Load Amps	Brake Rating	EISA Status (a)	Notes (a)
1/2	1800	56C	XPNV	CBM7006	⑧	2,915	K	19.44	96	75.5	208-230/460	0.8	3	C	
3/4	1800	56C	XPNV	CBM7010	①	3,246	K	19.13	94	78.5	208-230/460	1.4	6	C	2, 60
1	1800	143TC	XPNV	CBM7014T	①	3,742	L1	20.37	105	80	208-230/460	1.5	6	C	2, 60
2	1800	182TC	XPNV	CBM7023T	①	4,529	L1	23.24	137	84	230/460	2.9	10	C	2, 60
3	1800	182TC	XPFC	CEBM7142T	⑧	5,482	L1	27.22	215	89.5	230/460	4.1	15	A	
		215TC	XPNV	CBM7027T	①	6,280	L1	27.31	215	84	230/460	4.3	15	C	2, 40, 60
5	1800	184TC	XPFC	CEBM7144T	⑧	6,603	L1	27.22	256	89.5	230/460	6.5	25	A	

(a) See notes on inside back flap.  
 ■ Cast Iron Frame

**Washdown,  
Three Phase,  
Totally Enclosed,  
C-Face,  
Foot Mounted**

1/2 thru 5 Hp

NEMA 56C thru 184TC

**Applications:** Food processing and other applications where motors receive washdown on a regular basis.



**Features:** Class F insulated motor with 1.15 service factor or higher that operates within class "B" temperature limits at rated horsepower. Standard NEMA BA dimension, 300 series stainless steel hardware, moisture sealant on bolt heads, between frame and end plates. Neoprene gaskets. Spring-set brake internally connected to the motor. Power off manual release. Resets automatically. Motors have NEMA Premium® Efficiency and inverter-ready. 230/460V brakes are connected in conduit box allowing for separate connection when used with an inverter.

Hp	RPM	NEMA Frame	Encl.	Catalog Number	List Price	Mult. Sym.	"C" Dim.	Aprx. Wt. (lb)	Full Load Efficiency	Voltage	Full Load Amps	Brake Rating	EISA Status (a)	Notes (a)
1/2	1800	56C	TENV	CEWDBM3538	1,785	WD	15.31	42	82.5	230/460	0.8	3	C	
3/4	1800	56C	TENV	CEWDBM3542	1,929	WD	15.31	43	84	230/460	1.1	6	C	
1	1800	56C	TENV	CEWDBM3546	1,980	WD	16.31	52	85.5	208-230/460	1.4	6	C	
		143TC	TENV	CEWDBM3546T	2,000	WD	16.81	54	85.5	208-230/460	1.4	6	C	
1 1/2	1800	145TC	TENV	CEWDBM3554T	2,155	WD	18.14	58	86.5	230/460	2	10	C	30
2	1800	145TC	TEFC	CEWDBM3558T	2,193	WD	19.44	62	86.5	208-230/460	2.7	10	A	
3	1800	182TC	TEFC	CEWDBM3611T	2,653	WD	21.80	89	89.5	208-230/460	4.1	15	A	
5	1800	184TC	TEFC	CEWDBM3615T	3,205	WD	21.80	111	89.5	230/460	6.5	25	A	30

(a) See notes on inside back flap.

Farm Duty Motors

Definite Purpose Motors

Unit Handling Motors

Brake Motors

200 & 575 Volt Motors

IEC Frame Motors

50 Hertz Motors

Inverter/Vector Motors & Controls

DC Motors and Controls

Soft Starters & Dynamic Brakes

**Double C-Face Motor Brake Kits**

**Coil Voltage: 115/208-230**

**Features:** Double C-Face coupler brakes. Mounts on motors with C-Face, provides NEMA C-face mounting on brake. Spring set, electrically released.



Brake Rating	Brake Mounting	Catalog Number	List Price	Mult. Sym.	Ap'x. Shpg. Wgt.
3 ft-lb	56C	<b>CBK003-1</b>	585	A8	12
6 ft-lb	56C	<b>CBK006-1</b>	861	A8	12
6 ft-lb	145TC	<b>CBK006-2</b>	861	A8	12
10 ft-lb	145TC	<b>CBK010-1</b>	1,004	A8	12
15 ft-lb	145TC	<b>CBK015-1</b>	2,146	A8	12

Farm Duty Motors

Definite Purpose Motors

Unit Handling Motors

Brake Motors

200 & 575 Volt Motors

IEC Frame Motors

50 Hertz Motors

Inverter/Vector Motors & Controls

DC Motors and Controls

Soft Start & Dynamic Brakes

**200 Volt,  
Three Phase,  
TEFC, Foot Mounted**

**1/2 thru 50 Hp**

**NEMA 56C thru 326T**

**Applications:** Pumps, fans, compressors, blowers, machine tools, conveyors and many other applications requiring 200 volt power.



**Features:** 1.15 Service Factor, positively locked drive end bearing on 254T and larger, ball bearings, dynamically balanced rotors. EM Super-E® motors have NEMA Premium® efficiency and 3 year warranty.

Hp	RPM	NEMA Frame	Catalog Number	List Price	Mult. Sym.	"C" Dim.	Aprx. Wt. (lb)	Full Load Efficiency	Voltage	Full Load Amps	EISA Status (a)	Notes (a)
<b>Foot Mounted</b>												
1	1800	143T	<b>EM3546T-8</b>	641	L1	13.31	39	85.5	200	3.5	B	1, 30, 68
		143T	<b>M3546T-8</b>	434	L1	12.31	28	82.5	200	4	B	68
1 1/2	1800	145T	<b>EM3554T-8</b>	666	L1	14.19	48	86.5	200	4.8	B	1, 30, 68
		145T	<b>M3554T-8</b>	443	L1	12.31	36	84	200	6.2	B	68
2	1800	145T	<b>EM3558T-8</b>	690	L1	14.19	49	86.5	200	6.3	B	1, 30, 68
		145T	<b>M3558T-8</b>	465	L1	13.31	43	84	200	7	B	68
3	3600	182T	<b>EM3660T-8</b>	990	L1	15.24	89	86.5	200	7.8	B	1, 30, 68
		182T	<b>EM3661T-8</b>	1,018	L1	15.24	91	89.5	200	9.1	B	1, 30, 68
		182T	<b>M3611T-8</b>	550	L1	15.14	53	87.5	200	9.4	B	1, 68
5	3600	184T	<b>EM3663T-8</b>	1,218	L1	15.24	97	88.5	200	13	B	1, 30, 68
		184T	<b>EM3665T-8</b>	1,019	L1	15.24	109	89.5	200	14.9	B	1, 30, 68
		184T	<b>M3615T-8</b>	633	L1	16.55	74	87.5	200	15.2	B	1, 68
7 1/2	3600	213T	<b>EM3769T-8</b>	1,410	L1	18.45	173	89.5	200	19.8	B	1, 68
		213T	<b>EM3770T-8</b>	1,358	L1	18.45	170	91.7	200	21.4	B	1, 68
		213T	<b>M3710T-8</b>	808	L1	17.89	113	89.5	200	23.2	B	1, 68
10	3600	215T	<b>EM3771T-8</b>	1,653	L1	18.45	203	90.2	200	26.5	B	1, 30, 68
		215T	<b>EM3774T-8</b>	1,525	L1	18.45	231	91.7	200	28.4	B	1, 30, 68
		215T	<b>M3714T-8</b>	981	L1	19.01	127	89.5	200	31.3	B	2, 20, 68
15	3600	254T	<b>EM2394T-8</b>	2,276	L1	23.16	267	91	200	40	B	1, 30, 68
		254T	<b>EM2333T-8</b>	2,094	L1	23.16	238	92.4	200	42.4	B	1, 30, 68
		254T	<b>M2333T-8</b>	1,722	L1	21.07	222	91	200	42.5	B	1, 68
20	3600	256T	<b>EM4106T-8</b>	2,499	L1	23.16	285	91	200	52	B	1, 24, 30, 69
		256T	<b>EM2334T-8</b>	2,540	L1	23.16	286	93	200	55.2	B	1, 24, 30, 69
		256T	<b>M2334T-8</b>	2,078	L1	23.28	261	91	200	55	B	1, 24, 69
25	3600	284TS	<b>EM4107T-8</b>	3,260	L1	25.70	382	91.7	200	65	B	1, 24, 69
		284T	<b>EM4103T-8</b>	3,321	L1	27.76	407	93.6	200	68.4	B	1, 24, 69
		284T	<b>M4103T-8</b>	2,570	L1	26.08	361	92.4	200	67	B	1, 24, 69
30	3600	286TS	<b>EM4108T-8</b>	3,875	L1	24.70	407	91.7	200	76	B	1, 24, 69
		286T	<b>EM4104T-8</b>	3,941	L1	27.76	426	93.6	200	84	B	1, 24, 69
		286T	<b>M4104T-8</b>	3,036	L1	26.08	386	92.4	200	83	B	1, 24, 69
40	1800	324T	<b>EM4110T-8</b>	5,154	L1	30.28	604	94.1	200	111	B	1, 24, 69
		324T	<b>M4110T-8</b>	4,028	L1	30.39	522	93	200	108	B	1, 24, 69
50	1800	326T	<b>EM4115T-8</b>	5,632	L1	30.28	632	94.5	200	131	B	1, 24, 69
		326T	<b>M4115T-8</b>	4,170	L1	30.39	554	93	200	137	B	1, 24, 69
<b>C-Face, Foot Mounted</b>												
1/2	1800	56C	<b>CM3538-8</b>	417	K	11.35	23	74	200	2.2	C	
1	1800	56C	<b>CM3546-8</b>	421	K	12.00	29	78.5	200	3.9	C	

(a) See notes on inside back flap.

■ Cast Iron Frame

Farm Duty Motors

Definite Purpose Motors

Unit Handling Motors

Brake Motors

200 & 575 Volt Motors

IEC Frame Motors

50 Hertz Motors

Inverter/Vector Motors & Controls

DC Motors and Controls

Soft Starters & Dynamic Brakes

**200 Volt,  
Three Phase,  
ODP, Foot Mounted**

**3/4 thru 100 Hp**

**NEMA 56 thru 404T**

**Applications:** Pumps, fans, compressors, blowers, machine tools, conveyors and many other applications requiring 200 volt power.

**Features:** 1.15 Service Factor, positively locked drive end bearing on 254T and larger, ball bearings, dynamically balanced rotors. EM and EFM Super-E motors have NEMA Premium® efficiency and 3 year warranty.



Hp	RPM	NEMA Frame	Catalog Number	List Price	Mult. Sym.	"C" Dim.	Aprx. Wt. (lb)	Full Load Efficiency	Voltage	Full Load Amps	EISA Status (a)	Notes (a)
<b>F1 Mounting</b>												
1	1800	143T	EM3116T-8	561	L1	11.12	36	85.5	200	3.2	B	1, 68
		143T	M3116T-8	391	L1	11.32	30	82.5	200	3.9	B	68
1 1/2	1800	145T	EM3154T-8	586	L1	12.12	42	86.5	200	4.8	B	1, 68
		145T	M3154T-8	460	L1	11.12	33	84	200	5.5	B	68
2	1800	145T	EM3157T-8	629	L1	13.00	47	86.5	200	6.1	B	1, 68
		145T	M3157T-8	467	L1	12.12	37	84	200	7.1	B	68
3	3600	145T	M3158T-8	542	L1	12.13	40	84	200	9.1	B	68
		182T	EM3211T-8	678	L1	15.00	68	89.5	200	9.3	B	1, 68
	1800	182T	M3211T-8	486	L1	14.00	54	86.5	200	9.4	B	1, 68
5	3600	182T	M3212T-8	561	L1	14.00	56	85.5	200	14	B	68
		184T	EM3218T-8	742	L1	15.00	72	89.5	200	15	B	1, 68
	1800	184T	M3218T-8	539	L1	15.00	69	87.5	200	16.1	B	1, 68
7 1/2	3600	184T	M3219T-8	769	L1	15.00	69	87.5	200	21	B	1, 68
		213T	EM3311T-8	1,090	L1	16.32	116	91	200	22.4	B	1, 68
	1800	213T	M3311T-8	763	L1	17.00	94	88.5	200	23	B	68
10	3600	213T	M3312T-8	965	L1	16.32	85	88.5	200	28.8	B	68
		215T	EM3313T-8	1,319	L1	17.45	148	91.7	200	29.5	B	1, 68
	1800	215T	M3313T-8	934	L1	16.32	104	89.5	200	30.8	B	68
15	3600	215T	M3314T-8	1,410	L1	16.32	109	89.5	200	41	B	1, 68
		254T	EM2513T-8	1,869	L1	21.69	234	93	200	40.7	B	1, 68
	1800	254T	M2513T-8	1,412	L1	20.00	148	91	200	44	B	1, 68
20	3600	254T	EM2514T-8	2,172	L1	21.69	186	91	200	52.3	B	1, 24, 69
		256T	M2514T-8	1,803	L1	21.69	191	90.2	200	57	B	24, 69
	1800	256T	EM2515T-8	2,346	L1	21.69	237	93	200	54.3	B	1, 24, 69
		256T	M2515T-8	1,818	L1	22.25	191	91	200	55	B	69
25	3600	256T	EM2516T-8	2,607	L1	21.69	242	91.7	200	63.2	B	1, 24, 69
		256T	M2516T-8	2,181	L1	21.69	201	91	200	68.5	B	24, 69
	1800	284T	EM2531T-8	2,860	L1	23.81	313	93.6	200	69.5	B	1, 24, 69
		284T	M2531T-8	2,203	L1	23.44	297	91.7	200	74	B	24, 69
30	3600	284TS	M2534T-8	2,309	L1	22.06	251	91	200	81	B	24, 69
		286T	EM2535T-8	3,128	L1	25.06	353	94.1	200	81	B	1, 24, 69
	1800	286T	M2535T-8	2,576	L1	24.94	281	92.4	200	83	B	24, 69
40	3600	286TS	EM2538T-8	3,963	L1	23.69	377	92.4	200	105	B	1, 24, 69
		286TS	M2538T-8	3,249	L1	23.56	290	91.7	200	104	B	24, 69
	1800	324T	EM2539T-8	4,081	L1	26.69	488	94.1	200	107	B	1, 24, 69
		324T	M2539T-8	3,284	L1	26.19	341	93	200	113	B	24, 69
50	3600	324TS	M2542T-8	3,367	L1	24.69	391	92.4	200	135	B	24, 69
		326T	EM2543T-8	4,503	L1	27.69	521	94.5	200	132	B	1, 24, 69
	1800	326T	M2543T-8	3,855	L1	27.19	427	93	200	140	B	24, 69
60	1800	364T	EM2547T-8	5,670	L1	30.69	615	95	200	160	B	1, 24, 69
75	1800	365T	EM2551T-8	6,959	L1	29.69	808	95	200	195	B	1, 24, 69
100	1800	404T	EM2555T-8	8,097	L1	36.97	1114	95.4	200	263	B	1, 24, 69

(a) See notes on inside back flap.

Custom TEFC motors available through 2,250 Hp; Open and WPIL custom motors through 15,000 Hp. Contact your Baldor•Reliance Sales Representative.

■ Cast Iron Frame

Farm Duty Motors

Definite Purpose Motors

Unit Handling Motors

Brake Motors

200 & 575 Volt Motors

IEC Frame Motors

50 Hertz Motors

Inverter/Vector Motors & Controls

DC Motors and Controls

Soft Start & Dynamic Brakes

**200 Volt, Three Phase, ODP, Foot Mounted**

Hp	RPM	NEMA Frame	Catalog Number	List Price	Mult. Sym.	“C” Dim.	Aprx. Wt. (lb)	Full Load Efficiency	Voltage	Full Load Amps	EISA Status <sup>(a)</sup>	Notes <sup>(a)</sup>
<b>F2 Mounting</b>												
3/4	1800	56	<b>FM3112-8</b>	343	K	10.12	25	74	200	3.2	C	68
2	1800	145T	<b>EFM3157T-8</b>	629	L1	13.00	48	86.5	200	6.1	B	1, 68
3	1800	182T	<b>EFM3211T-8</b>	678	L1	15.00	66	89.5	200	9.3	B	1, 68
5	1800	184T	<b>EFM3218T-8</b>	742	L1	15.00	69	89.5	200	15	B	1, 68
7 1/2	1800	213T	<b>EFM3311T-8</b>	1,090	L1	16.32	109	91	200	22.3	B	1, 68
		213T	<b>FM3311T-8</b>	763	L1	17.00	97	88.5	200	23	B	68
10	1800	215T	<b>EFM3313T-8</b>	1,319	L1	17.45	127	91.7	200	29.5	B	1, 68
		215T	<b>FM3313T-8</b>	934	L1	16.32	107	89.5	200	30.8	B	68
15	1800	254T	<b>EFM2513T-8</b>	1,869	L1	21.69	234	93	200	40.7	B	1, 68
		254T	<b>FM2513T-8</b>	1,412	L1	20.00	162	91	200	44	B	1, 68
20	1800	256T	<b>EFM2515T-8</b>	2,346	L1	21.69	237	93	200	54.3	B	1, 24, 69
		256T	<b>FM2515T-8</b>	1,818	L1	22.25	191	91	200	55	B	69

<sup>(a)</sup> See notes on inside back flap.

Custom TEFC motors available through 2,250 Hp; Open and WPll custom motors through 15,000 Hp. Contact your Baldor•Reliance Sales Representative.

Farm Duty Motors

Definite Purpose Motors

Unit Handling Motors

Brake Motors

200 & 575 Volt Motors

IEC Frame Motors

50 Hertz Motors

Inverter/Vector Motors & Controls

DC Motors and Controls

Soft Starters & Dynamic Brakes

**575 Volt,  
Three Phase,  
TEFC, Foot Mounted**

1/3 thru 150 Hp

NEMA 56 thru 445T

**Applications:** Pumps, compressors, fans, conveyors, machine tools and other applications where 575 volt three phase power is available.

**Features:** Ball bearings. Mount in any position. Heavy-gauge steel and cast iron frames. EM Super-E® motors have NEMA Premium® efficiency and 3 year warranty.



Hp	RPM	NEMA Frame	Catalog Number	List Price	Mult. Sym.	"C" Dim.	Aprx. Wt. (lb)	Full Load Efficiency	Voltage	Full Load Amps	EISA Status (a)	Notes (a)
1/3	1800	56	M3534-5	300	LS	11.35	21	68	575	0.6	C	1
	3600	56	M3537-5	322	K	11.35	20	68	575	0.8	C	1
1/2	1800	56	M3538-5	343	LS	11.35	22	74	575	0.8	C	1
	1200	56	M3539-5	516	K	11.35	24	72	575	1	C	1
3/4	3600	56	M3541-5	355	K	11.35	21	74	575	1	C	1
	1800	56	M3542-5	367	LS	11.35	26	75.5	575	1.2	C	1
	1200	56/56H	M3543-5	527	K	12.93	37	77	575	1.1	C	
		143T	M3543T-5	527	L1	13.41	34	77	575	1.2	C	1
1	3600	56	M3545-5	416	K	11.35	23	75.5	575	1.4	C	1
	1800	56	M3546-5	382	LS	12.23	28	75	575	1.4	C	
		143T	EM3546T-5	623	LS	13.31	38	85.5	575	1.1	A	1
		143T	M3546T-5	424	LS	12.31	32	82.5	575	1.2	D	1
	1200	56H	M3556-5	536	K	12.93	35	75.5	575	1.6	C	
		145T	EM3556T-5	746	L1	15.56	39	82.5	575	1.4	A	1
1 1/2	3600	143T	EM3550T-5	640	L1	12.31	41	84	575	1.5	A	1
		143T	M3550T-5	481	L1	12.31	37	82.5	575	1.6	D	1
	1800	145T	EM3554T-5	648	LS	13.31	48	86.5	575	1.6	A	1
		145T	M3554T-5	435	LS	13.31	39	84	575	1.7	D	
	1200	182T	EM3607T-5	872	L1	19.77	138	87.5	575	5.8	A	1
		182T	M3607T-5	668	L1	16.54	63	85.5	575	2	D	2, 20
2	3600	56/56H	M3555-5	510	K	12.93	39	78.5	575	2.2	C	
		145T	EM3555T-5	701	L1	14.19	49	85.5	575	2.2	A	1
		145T	M3555T-5	554	L1	13.31	43	84	575	2.1	D	
	1800	56/56H	M3558-5	466	LS	12.93	40	82.5	575	2.5	C	
		145T	EM3558T-5	672	LS	14.19	48	86.5	575	2.2	A	1
	145T	M3558T-5	457	LS	13.31	45	84	575	2.2	D		
1200	184T	EM3614T-5	914	L1	18.05	79	88.5	575	2.2	A		
	184T	M3614T-5	719	L1	16.54	74	86.5	575	2.8	D		
3	3600	56/56H	M3559-5	593	K	13.81	50	82.5	575	3	C	
		145T	EM3559T-5	786	L1	15.56	58	86.5	575	3	A	
		145T	M3559T-5	635	L1	14.19	51	85.5	575	3	D	1
	1800	182T	EM3611T-5	742	LS	16.55	69	89.5	575	3.1	A	1
		182T	EM3661T-5	993	L1	15.24	90	89.5	575	3.2	A	1
		182T	M3611T-5	537	LS	16.52	68	87.5	575	3.4	D	1
		182T	M3661T-5	860	LS	15.24	90	87.5	575	3.3	D	1
	1200	213T	EM3704T-5	1,189	L1	19.02	132	89.5	575	3.7	A	1
		213T	M3704T-5	905	L1	17.89	108	87.5	575	3.7	D	1

(a) See notes on inside back flap.

Custom TEFC motors available through 2,250 Hp; Open and WPII custom motors through 15,000 Hp. Contact your Baldor•Reliance Sales Representative.

**MEETS NRC CANADIAN STANDARDS FOR EFFICIENCY.**

■ Cast Iron Frame

Farm Duty Motors

Definite Purpose Motors

Unit Handling Motors

Brake Motors

200 & 575 Volt Motors

IEC Frame Motors

50 Hertz Motors

Inverter/Vector Motors & Controls

DC Motors and Controls

Soft Start & Dynamic Brakes



**575 Volt, Three Phase, TEFC, Foot Mounted**

Hp	RPM	NEMA Frame	Catalog Number	List Price	Mult. Sym.	"C" Dim.	Aprx. Wt. (lb)	Full Load Efficiency	Voltage	Full Load Amps	EISA Status (a)	Notes (a)	
5	3600	184T	EM3613T-5	862	L1	16.55	77	88.5	575	4.8	A	1	
		184T	M3613T-5	777	L1	16.54	71	87.5	575	4.8	D	1	
	1800	184T	EM3615T-5	812	LS	18.05	91	89.5	575	5.2	A	1	
		184T	EM3665T-5	1,016	L1	15.24	109	89.5	575	5.2	A	1	
		184T	M3615T-5	618	LS	16.55	75	87.5	575	5.7	D	1	
		184T	M3665T-5	877	L1	15.24	102	87.5	575	5.2	D	1	
	1200	215T	EM3708T-5	1,343	L1	19.77	138	89.5	575	5.8	A	1	
		215T	M3708T-5	1,097	L1	19.01	119	87.5	575	6	D	1	
	7 1/2	3600	184T	EM3616T-5	1,137	L1	18.05	96	89.5	575	6.8	A	1
			184T	M3616T-5	944	L1	18.04	89	88.5	575	7	D	1
213T			EM3709T-5	1,291	L1	17.89	126	89.5	575	7.2	A	1	
213T			M3709T-5	1,145	L1	18.56	89	88.5	575	7	D	1	
1800		213T	EM3710T-5	1,171	LS	19.02	148	91.7	575	7.6	A	1	
		213T	EM3770T-5	1,326	L1	18.45	178	91.7	575	7.5	A	1	
		213T	M3710T-5	788	LS	17.89	126	89.5	575	8.1	D	1	
		213T	M3770T-5	1,170	L1	18.45	170	89.5	575	8.3	D	1	
10	3600	215T	EM3711T-5	1,309	L1	19.02	154	90.2	575	9	A	1	
		215T	M3711T-5	1,198	L1	17.89	123	89.5	575	9.2	D	1	
	1800	215T	EM3714T-5	1,322	LS	20.52	153	91.7	575	10	A	1	
		215T	EM3774T-5	1,487	L1	18.45	201	91.7	575	9.8	A	1	
		215T	M3714T-5	960	LS	19.01	138	89.5	575	10.8	D	1	
		215T	M3774T-5	1,259	L1	18.45	187	89.5	575	10.4	D	1	
15	3600	215T	EM3713T-5	1,847	L1	20.52	175	91	575	13.6	A	1	
		215T	M3713T-5	1,520	L1	19.76	167	90.2	575	13.5	D	1	
		254T	EM2394T-5	2,222	L1	23.16	268	91	575	14.1	A	1	
	1800	254T	EM2333T-5	2,037	LS	23.16	235	92.4	575	14.8	A	1	
		254T	M2333T-5	1,684	LS	21.07	242	91	575	15.2	D	1	
20	3600	256T	EM4106T-5	2,439	L1	23.16	258	91	575	18.2	A	1	
		256T	M4106T-5	2,081	L1	22.83	236	90.2	575	18.5	D	1	
	1800	256T	EM2334T-5	2,470	LS	23.16	303	93	575	19.2	A	1	
		256T	M2334T-5	2,034	LS	22.83	265	91	575	20	D	1	
25	3600	284TS	EM4107T-5	3,182	L1	24.70	398	91.7	575	22	A	1	
		284TS	M4107T-5	2,647	L1	25.24	361	91	575	22.5	D	1	
	1800	284T	EM4103T-5	3,231	LS	27.76	398	93.6	575	23.9	A	1	
		284T	M4103T-5	2,515	LS	26.08	340	92.4	575	23.2	D	1	
30	3600	286TS	EM4108T-5	3,781	L1	24.70	418	91.7	575	26.5	A	1	
		286TS	M4108T-5	2,871	L1	25.24	382	91	575	27.4	D	1	
	1800	286T	EM4104T-5	3,833	LS	27.76	451	93.6	575	29	A	1	
		286T	M4104T-5	2,972	LS	26.08	366	92.4	575	28.6	D	1	
40	3600	324TS	EM4109T-5	5,182	L1	28.78	549	92.4	575	36	A	1	
		324TS	M4109T-5	4,104	L1	28.89	486	91.7	575	36	D	1	
	1800	324T	EM4110T-5	5,012	LS	30.28	600	94.1	575	39	A	1	
		324T	M4110T-5	3,941	LS	30.39	475	93	575	38	D	1	
50	3600	326TS	EM4114T-5	5,669	L1	28.90	578	93	575	45	A	1	
		326TS	M4114T-5	4,172	L1	28.89	585	92.4	575	45	D	1	
	1800	326T	EM4115T-5	5,477	LS	30.28	632	94.5	575	46	A	1	
		326T	M4115T-5	4,081	LS	30.39	578	93	575	48	D	1	
60	1800	364T	EM4314T-5	7,881	LS	32.84	808	95	575	54.4	A	1	
		364T	M4314T-5	6,250	LS	32.84	770	93.6	575	57	D	1	
75	1800	365T	EM4316T-5	9,215	LS	32.84	889	95.4	575	68.7	A	1	
		365T	M4316T-5	7,704	LS	33.02	809	94.1	575	68	D	1	
100	1800	405T	EM4400T-5	11,444	LS	38.06	1201	95.4	575	89.6	A	1	
		405T	M4400T-5	9,567	LS	37.22	1016	94.5	575	90	D	1	
125	1800	444T	EM4410T-5	14,167	LS	44.75	1466	95.4	575	111	A	1	
		444T	M4410T-5	12,907	LS	44.75	1618	94.5	575	113	D	1	
150	1800	445T	EM4406T-5	16,296	LS	44.75	1672	95.8	575	141	A	1	
		445T	M4406T-5	15,120	LS	44.24	1421	95	575	135	D	1	

(a) See notes on inside back flap.

Custom TEFC motors available through 2,250 Hp; Open and WPII custom motors through 15,000 Hp. Contact your Baldor•Reliance Sales Representative.

**MEETS NRC CANADIAN STANDARDS FOR EFFICIENCY.**

■ Cast Iron Frame

Farm Duty Motors

Definite Purpose Motors

Unit Handling Motors

Brake Motors

200 & 575 Volt Motors

IEC Frame Motors

50 Hertz Motors

Inverter/Vector Motors & Controls

DC Motors and Controls

Soft Starters & Dynamic Brakes

**575 Volt,  
Three Phase,  
TEFC, C-Face**

1/3 thru 30 Hp

NEMA 56C thru 286TC

**Applications:** Pumps, fans, compressors, blowers, machine tools, conveyors and many applications requiring 575 volt power.

**Features:** 1.15 Service Factor. Positively locked drive end ball bearing, dynamically balanced rotors. CEM Super-E® motors have NEMA Premium® efficiency and 3 year warranty.



Farm Duty Motors

Definite Purpose Motors

Unit Handling Motors

Brake Motors

200 & 575 Volt Motors

IEC Frame Motors

50 Hertz Motors

Inverter/Vector Motors & Controls

DC Motors and Controls

Soft Start & Dynamic Brakes

Hp	RPM	NEMA Frame	Catalog Number	List Price	Mult. Sym.	"C" Dim.	Aprx. Wt. (lb)	Full Load Efficiency	Voltage	Full Load Amps	EISA Status (a)	Notes (a)
<b>C-Face, Foot Mounted</b>												
1/3	1800	56C	CM3534-5	333	LS	11.35	21	68	575	0.6	C	
1/2	1800	56C	CM3538-5	368	LS	11.35	24	74	575	0.8	C	
3/4	1800	56C	CM3542-5	391	LS	11.35	27	75.5	575	1.2	C	
1	1800	56C	CM3546-5	419	K	11.97	28	78.5	575	1.3	C	
		143TC	CEM3546T-5	654	LS	13.31	39	85.5	575	1.1	A	1
		143TC	CEM3581T-5	857	L1	13.03	56	85.5	575	1.1	A	1
		143TC	CM3546T-5	456	LS	13.29	34	82.5	575	1.2	D	
1 1/2	1800	143TC	CEM3583T-5	946	L1	13.05	57	84	575	1.6	A	1
		56C	CM3554-5	456	K	12.23	32	78.5	575	2	C	
		145TC	CEM3554T-5	679	LS	13.31	49	86.5	575	1.6	A	1
		145TC	CEM3584T-5	886	L1	13.03	61	86.5	575	1.6	A	1
2	1800	145TC	CM3554T-5	466	LS	13.29	40	84	575	1.7	D	
		145TC	CEM3586T-5	948	L1	13.05	63	85.5	575	2	A	1
		56C	CM3558-5	489	K	13.23	42	82.5	575	2.5	C	
		145TC	CEM3558T-5	703	LS	14.19	51	86.5	575	2.2	A	1
3	3600	145TC	CEM3587T-5	927	L1	13.03	65	86.5	575	2.2	A	1
		145TC	CM3558T-5	488	LS	13.29	45	84	575	2.2	D	
		145TC	CEM3559T-5	817	L1	15.54	49	86.5	575	3	A	1
		145TC	CM3559T-5	666	L1	14.17	52	85.5	575	3	D	1
3	3600	182TC	CEM3610T-5	841	L1	15.18	68	86.5	575	3	A	1
		182TC	CEM3660T-5	1,054	L1	16.00	95	86.5	575	2.7	A	1
		182TC	CM3610T-5	737	L1	15.18	57	85.5	575	3	D	1
		182TC	CEM3611T-5	805	LS	18.05	71	89.5	575	3.4	A	1
5	1800	182TC	CEM3661T-5	1,081	L1	16.00	97	89.5	575	3.2	A	1
		182TC	CM3611T-5	616	LS	16.56	69	87.5	575	3.4	D	1
		184TC	CEM3613T-5	926	L1	16.55	80	88.5	575	4.7	A	1
		184TC	CEM3663T-5	1,278	L1	16.00	107	88.5	575	4.6	A	1
7 1/2	3600	184TC	CM3613T-5	838	L1	16.55	74	87.5	575	4.8	D	1
		184TC	CEM3615T-5	875	LS	18.05	97	89.5	575	5.2	A	1
		184TC	CEM3665T-5	1,104	L1	16.00	115	89.5	575	5.2	A	1
		184TC	CM3615T-5	699	LS	16.55	79	87.5	575	5.7	D	1
10	3600	213TC	CEM3769T-5	1,551	L1	19.20	191	89.5	575	6.9	A	1
		213TC	CEM3710T-5	1,290	LS	19.02	140	91.7	575	7.6	A	1
		213TC	CEM3770T-5	1,501	L1	19.20	178	91.7	575	7.5	A	1
		213TC	CM3710T-5	908	LS	18.63	126	89.5	575	8.1	D	1
15	3600	215TC	CEM3711T-5	1,428	L1	19.02	158	90.2	575	9	A	1
		215TC	CEM3771T-5	1,788	L1	19.20	181	90.2	575	9	A	1
		215TC	CM3711T-5	1,317	L1	18.63	126	89.5	575	9.2	D	1
		215TC	CEM3714T-5	1,439	LS	20.52	162	91.7	575	9.6	A	1
15	1800	215TC	CEM3774T-5	1,663	L1	19.20	201	91.7	575	9.8	A	1
		215TC	CM3714T-5	1,078	LS	19.76	139	89.5	575	10.8	D	1
		215TC	CEM3713T-5	1,965	L1	21.25	175	91	575	16	A	1
		215TC	CM3713T-5	1,639	L1	21.25	158	90.2	575	13.5	D	1
15	1800	254TC	CEM2333T-5	2,950	LS	23.78	238	92.4	575	14.8	A	1
		254TC	CM2333T-5	2,192	LS	21.57	236	91	575	15.2	D	1

(a) See notes on inside back flap.

**CUSTOM 575 VOLT MOTORS AVAILABLE THROUGH 1000 HP. CONTACT YOUR LOCAL BALDOR•RELIANCE SALES REPRESENTATIVE. MEETS NRC CANADIAN STANDARDS FOR EFFICIENCY.**

Cast Iron Frame

**575 Volt, Three Phase, TEFC, C-Face**

Hp	RPM	NEMA Frame	Catalog Number	List Price	Mult. Sym.	"C" Dim.	Aprx. Wt. (lb)	Full Load Efficiency	Voltage	Full Load Amps	EISA Status (a)	Notes (a)	
20	1800	256TC	<b>CEM2334T-5</b>	3,006	L1	23.78	286	93	575	19	A	1	
		256TC	<b>CM2334T-5</b>	2,552	L1	23.32	257	91	575	20	D	1	
25	1800	284TC	<b>CEM4103T-5</b>	3,975	L1	27.76	390	93.6	575	23.9	A	1	
30	1800	286TC	<b>CEM4104T-5</b>	4,550	L1	27.76	620	93.6	575	29	A	1	
		286TC	<b>CM4104T-5</b>	3,690	L1	27.76	384	92.4	575	29.6	D	1	
<b>C-Face, Footless</b>													
1/3	1800	56C	<b>VM3534-5</b>	314	LS	11.35	20	68	575	0.6	C		
1/2	3600	56C	<b>VM3537-5</b>	340	K	11.35	19	68	575	0.8	C		
	1800	56C	<b>VM3538-5</b>	360	LS	11.35	22	74	575	0.8	C		
3/4	3600	56C	<b>VM3541-5</b>	372	K	11.35	21	74	575	1	C		
	1800	56C	<b>VM3542-5</b>	383	LS	11.35	25	75.5	575	1.2	C		
1	1800	3600	56C	<b>VM3545-5</b>	435	K	11.35	24	75.5	575	1.4	C	
		56C	<b>VM3546-5</b>	400	LS	12.23	30	75	575	1.4	C		
		143TC	<b>VEM3546T-5</b>	684	LS	13.29	42	85.5	575	1.1	B		
		143TC	<b>VEM3581T-5</b>	853	L1	13.03	55	85.5	575	1.1	B	1	
		143TC	<b>VM3546T-5</b>	486	LS	12.31	34	82.5	575	1.1	B		
1 1/2	3600	56C	<b>VM3550-5</b>	473	K	11.97	29	80	575	1.8	C		
		143TC	<b>VEM3550T-5</b>	667	L1	13.24	41	84	575	1.6	B		
		143TC	<b>VM3550T-5</b>	549	L1	12.04	30	80	575	1.8	B		
	1800	56C	<b>VM3554-5</b>	449	LS	12.23	34	78.5	575	2	C		
		145TC	<b>VEM3554T-5</b>	714	LS	14.19	49	86.5	575	1.6	B		
		145TC	<b>VEM3584T-5</b>	855	L1	13.03	59	86.5	575	1.6	B	1	
		145TC	<b>VM3554T-5</b>	495	LS	13.31	40	84	575	1.7	B		
2	1800	3600	56C	<b>VM3555-5</b>	527	K	12.85	32	80	575	2.2	C	
		56C	<b>VM3558-5</b>	482	LS	13.23	41	82.5	575	2.5	C		
		145TC	<b>VEM3558T-5</b>	801	LS	14.17	47	86.5	575	2.2	B		
		145TC	<b>VEM3587T-5</b>	921	L1	13.03	66	86.5	575	2.2	B	1	
		145TC	<b>VM3558T-5</b>	520	LS	13.31	45	84	575	2.2	B		
3	3600	56C	<b>VM3559-5</b>	611	K	13.23	45	82.5	575	3	C	1	
		182TC	<b>VEM3610T-5</b>	827	L1	15.18	67	86.5	575	2.7	B		
		182TC	<b>VM3610T-5</b>	782	L1	15.18	56	85.5	575	3	B	1	
	1800	182TC	<b>VEM3611T-5</b>	908	L1	16.55	71	89.5	575	3.2	B		
		182TC	<b>VEM3661T-5</b>	1,090	L1	16.00	94	89.5	575	3.2	B	1	
		182TC	<b>VM3611T-5</b>	628	LS	16.55	65	87.5	575	3.4	B	1	
5	3600	184TC	<b>VEM3613T-5</b>	912	L1	16.55	81	88.5	575	4.6	B		
		184TC	<b>VM3613T-5</b>	890	L1	16.55	72	87.5	575	4.8	B	1	
	1800	184TC	<b>VEM3615T-5</b>	990	L1	18.05	92	89.5	575	5.2	B		
		184TC	<b>VM3665T-5</b>	1,090	L1	16.00	113	89.5	575	5.2	B	1	
7 1/2	3600	213TC	<b>VEM3709T-5</b>	1,393	L1	19.28	131	89.5	575	6.9	B		
		213TC	<b>VM3709T-5</b>	1,346	L1	19.28	87	88.5	575	7	B	1	
	1800	213TC	<b>VEM3710T-5</b>	1,268	L1	19.76	141	91.7	575	8	B		
		213TC	<b>VEM3770T-5</b>	1,481	L1	19.25	164	91.7	575	7.5	B	1	
		213TC	<b>VM3710T-5</b>	959	LS	18.63	112	89.5	575	8.1	B	1	
10	3600	215TC	<b>VEM3711T-5</b>	1,407	L1	19.77	159	90.2	575	9	B		
		215TC	<b>VM3711T-5</b>	1,400	L1	18.63	123	89.5	575	9.2	B	1	
	1800	215TC	<b>VEM3714T-5</b>	1,417	L1	21.26	165	91.7	575	10.1	B		
		215TC	<b>VEM3774T-5</b>	1,643	L1	19.25	197	91.7	575	9.8	B		
15	3600	215TC	<b>VM3714T-5</b>	1,142	LS	19.76	137	89.5	575	10.8	B	1	
		215TC	<b>VEM3713T-5</b>	1,949	L1	20.26	172	91	575	14.8	B		
		215TC	<b>VM3713T-5</b>	1,748	L1	20.51	165	90.2	575	13.5	B	1	
20	1800	254TC	<b>VEM2333T-5</b>	2,763	L1	23.66	238	92.4	575	14.8	B		
		254TC	<b>VM2333T-5</b>	2,222	LS	23.66	266	91	575	14.5	B	1	
		256TC	<b>VEM2334T-5</b>	3,261	L1	23.66	286	93	575	19	B		
		256TC	<b>VM2334T-5</b>	2,601	LS	23.66	275	91	575	19.3	B	1	

(a) See notes on inside back flap.

**CUSTOM 575 VOLT MOTORS AVAILABLE THROUGH 1000 HP. CONTACT YOUR LOCAL BALDOR•RELIANCE SALES REPRESENTATIVE. MEETS NRC CANADIAN STANDARDS FOR EFFICIENCY.**

■ Cast Iron Frame

Farm Duty Motors

Definite Purpose Motors

Unit Handling Motors

Brake Motors

200 & 575 Volt Motors

IEC Frame Motors

50 Hertz Motors

Inverter/Vector Motors & Controls

DC Motors and Controls

Soft Starters & Dynamic Brakes

**Premium Efficient,  
Severe Duty,  
575 Volt,  
Three Phase,  
TEFC**

1 thru 200 Hp

NEMA 143T thru 447T

**Applications:** Petro-chemical plants, mines, foundries, pulp and paper plants, waste management facilities, chemical plants, tropical climates and other processing industry applications requiring protection against corrosion caused by severe environmental operating conditions.

**Features:** ECP motors are XEX designs. 1.15 Service Factor, corrosion resistant epoxy finish, regreasable ball or roller bearings, oversized rotatable cast iron conduit box, cast iron frames, V-Ring shaft seal, moisture resistant copper windings, Class F insulation, stainless steel nameplate and corrosion resistant hardware. ECP/XEX Super-E® motors have NEMA Premium® efficiency and 3 year warranty. Positive Lubrication System (PLS) on 360 frame and larger.



Hp	RPM	NEMA Frame	Catalog Number	List Price	Mult. Sym.	"C" Dim.	Aprx. Wt. (lb)	Full Load Efficiency	Voltage	Full Load Amps	EISA Status (a)	Notes (a)
1	1800	143T	ECP3581T-5	920	SD	12.88	60	86.5	575	1.1	A	1
1 1/2	1800	145T	ECP3584T-5	937	SD	12.88	65	86.5	575	1.6	A	1
2	1800	145T	ECP3587T-5	978	SD	12.88	72	86.5	575	2.2	A	1
3	1800	182T	ECP3661T-5	1,238	SD	15.93	103	89.5	575	3.2	A	1
	1200	213T	ECP3764T-5	1,738	SD	19.50	186	90.2	575	3.6	A	1
5	1800	184T	ECP3665T-5	1,260	SD	15.93	126	90.2	575	5.2	A	1
	1200	215T	ECP3768T-5	1,761	SD	19.50	205	90.2	575	5.8	A	1
7 1/2	1800	213T	ECP3770T-5	1,586	SD	19.50	178	91.7	575	7.5	A	1
	1200	254T	ECP2276T-5	2,520	SD	25.07	267	91.7	575	8.7	A	1
10	1800	215T	ECP3774T-5	1,899	SD	19.50	215	92.4	575	9.8	A	1
	1200	256T	ECP2332T-5	3,274	SD	25.07	286	91.7	575	11.5	A	1
15	1800	254T	ECP2333T-5	2,420	SD	25.07	255	92.4	575	14.8	A	1
	1200	284T	ECP4100T-5	3,753	SD	27.93	425	93	575	15.9	A	1
20	1800	256T	ECP2334T-5	2,596	SD	25.07	303	93	575	19.2	A	1
	1200	286T	ECP4102T-5	5,100	SD	27.93	452	93	575	20.6	A	1
25	1800	284T	ECP4103T-5	3,396	SD	27.93	427	93.6	575	23.9	A	1
	1200	324T	ECP4111T-5	5,329	SD	30.16	556	93	575	25.3	A	1
30	1800	286T	ECP4104T-5	4,033	SD	27.93	471	94.1	575	29	A	1
40	1800	324T	ECP4110T-5	5,276	SD	30.16	578	94.5	575	36.8	A	1
50	1800	326T	ECP4115T-5	6,193	SD	30.16	640	94.5	575	45.6	A	1
60	1800	364T	ECP4314T-5	8,301	SD	32.84	821	95	575	55	A	1
75	1800	365T	ECP4316T-5	9,699	SD	32.84	912	95.4	575	69.2	A	1
100	1800	405T	ECP4400T-5	12,732	SD	38.03	1335	95.4	575	87	A	1
125	1800	444T	ECP4410T-5	15,052	SD	44.75	1675	95.4	575	111.5	A	1
150	1800	445T	ECP4406T-5	17,633	SD	44.75	1823	96.2	575	132	A	1
200	1800	447T	ECP4407T-5	21,212	SD	48.24	2345	96.2	575	179	A	1

(a) See notes on inside back flap.

**MEETS NRC CANADIAN STANDARDS FOR EFFICIENCY.**

■ Cast Iron Frame

Farm Duty Motors

Definite Purpose Motors

Unit Handling Motors

Brake Motors

200 & 575 Volt Motors

IEC Frame Motors

50 Hertz Motors

Inverter/Vector Motors & Controls

DC Motors and Controls

Soft Start & Dynamic Brakes

**IEEE 841,  
575 Volts,  
Three Phase,  
Totally Enclosed,  
Foot Mounted**

**1 thru 250 Hp**

**NEMA 143T thru 449T**

**Applications:** Petro-chemical, pulp and paper, cement, aggregate mining and other process industries requiring premium efficient motors designed, manufactured and tested to exceed IEEE 841-2001 TEFC motor standards for extreme severe duty service.

**Features:** Built to 841XL design. Upgraded electrical and mechanical design with NEMA Premium® efficient winding. Inpro/Seal® VBX (thru 210 frame) and VBXX bearing isolators on fan and drive end shaft extensions and epoxy paint provides IP56 enclosure. Oversized bearings on both ends of motor with positive lubrication system. Stainless breather drains. Proprietary cast iron frames for reduced vibration and noise. Terminal lugs on motor leads. Final test and vibration results shipped with motor. Enhanced motor nameplate data. Complies with DuPont, Weyerhaeuser and many other corporate specifications. 5-year warranty.



Hp	RPM	NEMA Frame	Encl.	Catalog Number	List Price	Mult. Sym.	"C" Dim.	Aprx. Wt. (lb)	Full Load Efficiency	Voltage	Full Load Amps	EISA Status (a)	Notes (a)
<b>Foot Mounted</b>													
1	3600	143T	TEFC	ECP83580T-5	919	SD	12.88	35	84	575	1.1	A	1, 16
	1800	143T	TEFC	ECP83581T-5	1,009	SD	12.88	70	85.5	575	1.1	A	1, 16
	1200	145T	TEFC	ECP83582T-5	1,082	SD	12.88	42	82.5	575	1.4	A	1, 16
1 1/2	3600	143T	TEFC	ECP83583T-5	987	SD	12.88	68	85.5	575	1.6	A	1, 16
	1800	145T	TEFC	ECP83584T-5	1,027	SD	12.88	73	86.5	575	1.6	A	1, 16
	1200	182T	TEFC	ECP83667T-5	1,246	SD	15.62	137	87.5	575	1.9	A	1, 16
2	3600	145T	TEFC	ECP83586T-5	1,023	SD	12.88	78	86.5	575	1.9	A	1, 16
	1800	145T	TEFC	ECP83587T-5	1,073	SD	12.88	70	86.5	575	2.2	A	1, 16
	1200	184T	TEFC	ECP83664T-5	1,155	SD	17.12	143	88.5	575	2.4	A	1, 16
3	3600	182T	TEFC	ECP83660T-5	1,291	SD	15.62	117	88.5	575	2.9	A	1, 16
	1800	182T	TEFC	ECP83661T-5	1,358	SD	15.62	137	89.5	575	3.4	A	1, 16
	1200	213T	TEFC	ECP83764T-5	1,889	SD	19.31	183	89.5	575	3.4	A	1, 16
5	3600	184T	TEFC	ECP83663T-5	1,591	SD	15.62	129	88.5	575	4.8	A	1, 16
	1800	184T	TEFC	ECP83665T-5	1,384	SD	17.12	145	89.5	575	5.3	A	1, 16
	1200	215T	TEFC	ECP83768T-5	1,953	SD	20.19	203	89.5	575	5.4	A	1, 16
7 1/2	3600	213T	TEFC	ECP83769T-5	2,077	SD	19.31	182	90.2	575	6.9	A	1, 16
	1800	213T	TEFC	ECP83770T-5	1,744	SD	19.31	202	91.7	575	7.2	A	1, 16
	1200	254T	TEFC	ECP82276T-5	2,955	SD	24.68	302	91.7	575	8.7	A	1, 16
10	3600	215T	TEFC	ECP83771T-5	2,211	SD	19.32	225	91.7	575	8.6	A	1, 16
	1800	215T	TEFC	ECP83774T-5	2,065	SD	19.32	231	91.7	575	9.8	A	1, 16
	1200	256T	TEFC	ECP82332T-5	3,596	SD	24.68	322	91.7	575	11.5	A	1, 16
15	3600	254T	TEFC	ECP82394T-5	2,878	SD	24.68	239	91.7	575	13.8	A	1, 16
	1800	254T	TEFC	ECP82333T-5	2,658	SD	25.06	280	92.4	575	14	A	1, 16
	1200	284T	TEFC	ECP84100T-5	4,155	SD	27.44	445	92.4	575	14.9	A	1, 16
20	3600	256T	TEFC	ECP84106T-5	3,299	SD	24.68	310	91.7	575	17.8	A	1, 16
	1800	256T	TEFC	ECP82334T-5	2,874	SD	25.06	325	93	575	19	A	1, 16
	1200	286T	TEFC	ECP84102T-5	5,599	SD	27.44	470	92.5	575	19.8	A	1, 16
25	3600	284TS	TEFC	ECP84107T-5	4,034	SD	26.06	455	93	575	22.4	A	1, 16
	1800	284T	TEFC	ECP84103T-5	3,728	SD	27.93	420	93.6	575	23.9	A	1, 16
	1200	324T	TEFC	ECP84111T-5	5,901	SD	30.53	537	93	575	25.3	A	1, 16
30	3600	286TS	TEFC	ECP84108T-5	4,832	SD	26.06	454	93	575	27.1	A	1, 16
	1800	286T	TEFC	ECP84104T-5	4,390	SD	27.93	460	93.6	575	28	A	1, 16
	1200	326T	TEFC	ECP84117T-5	7,679	SD	30.53	630	93	575	29	A	1, 16
40	3600	324TS	TEFC	ECP84109T-5	6,611	SD	29.03	587	92.4	575	36	A	1, 16
	1800	324T	TEFC	ECP84110T-5	5,845	SD	30.53	599	94.5	575	37	A	1, 16
	1200	364T	TEFC	ECP84308T-5	9,401	SD	33.44	865	94.1	575	39.5	A	1, 16
50	3600	326TS	TEFC	ECP84114T-5	6,896	SD	29.03	633	93	575	45	A	1, 16
	1800	326T	TEFC	ECP84115T-5	6,863	SD	30.53	633	94.5	575	45.6	A	1, 16
	1200	365T	TEFC	ECP84312T-5	10,012	SD	33.44	890	94.1	575	49.3	A	1, 16

(a) See notes on inside back flap.

**MEETS NRC CANADIAN STANDARDS FOR EFFICIENCY.**

■ Cast Iron Frame

Farm Duty Motors

Definite Purpose Motors

Unit Handling Motors

Brake Motors

200 & 575 Volt Motors

IEC Frame Motors

50 Hertz Motors

Inverter/Vector Motors & Controls

DC Motors and Controls

Soft Starters & Dynamic Brakes



IEEE 841, 575 Volts, Three Phase, Totally Enclosed, Foot Mounted

Hp	RPM	NEMA Frame	Encl.	Catalog Number	List Price	Mult. Sym.	"C" Dim.	Aprx. Wt. (lb)	Full Load Efficiency	Voltage	Full Load Amps	EISA Status (a)	Notes (a)
60	3600	364TS	TEFC	ECP84310T-5	10,191	SD	31.31	890	95.1	575	52.1	A	1, 16
	1800	364T	TEFC	ECP84314T-5	9,113	SD	33.44	871	95	575	54.4	A	1, 16
	1200	404T	TEFC	ECP84403T-5	12,978	SD	38.31	1220	95	575	55.2	A	1, 16
75	3600	365TS	TEFC	ECP84313T-5	11,288	SD	31.31	978	95	575	64.5	A	1, 16
	1800	365T	TEFC	ECP84316T-5	10,598	SD	33.44	953	95.4	575	68.7	A	1, 16
	1200	405T	TEFC	ECP84404T-5	15,719	SD	38.31	1260	94.5	575	69.5	A	1, 16
100	3600	405TS	TEFC	ECP84402T-5	13,527	SD	38.31	1231	95	575	88	A	1, 16
	1800	405T	TEFC	ECP84400T-5	14,146	SD	38.31	1330	95.4	575	89.6	A	1, 16
	1200	444T	TEFC	ECP84409T-5	17,291	SD	44.75	1670	95	575	92	A	1, 16
125	3600	444TS	TEFC	ECP84412T-5	15,820	SD	40.98	1717	95.4	575	109	A	1, 16
	1800	444T	TEFC	ECP84410T-5	16,047	SD	44.75	1784	95.8	575	111	A	1, 16
	1200	445T	TEFC	ECP84411T-5	19,626	SD	44.75	1860	95.5	575	114	A	1, 16
150	3600	445TS	TEFC	ECP84413T-5	18,180	SD	40.98	1947	96.2	575	131	A	1, 16
	1800	445T	TEFC	ECP84406T-5	18,977	SD	44.75	1933	96.2	575	132	A	1, 16
	1200	447T	TEFC	ECP844156TR-5	22,895	SD	48.24	2300	95.8	575	139	A	1, 5, 16
200	3600	445TS	TEFC	ECP84416T-5	24,034	SD	43.92	1991	96.2	575	177	A	1, 16
	1800	447T	TEFC	ECP84407T-5	22,831	SD	48.24	2390	96.2	575	176	A	1, 16
		447T	TEFC	ECP84407TR-5	23,913	SD	48.24	2453	96.2	575	176	A	1, 5, 16
	1200	449T	TEFC	ECP844206TR-5	30,062	SD	53.24	2590	96.2	575	178	A	1, 5, 16
250	3600	449TS	TEFC	ECP844252T-5	38,724	SD	49.48	2712	96.2	575	213	B	1, 16
	1800	449T	TEFC	ECP84408T-5	29,145	SD	53.24	2723	96.2	575	217	B	1, 16
		449T	TEFC	ECP84408TR-5	30,198	SD	53.24	2727	96.2	575	218	B	1, 5, 16

C-Face, Foot Mounted

2	1800	145TC	TEFC	CECP83587T-5	1,112	SD	13.38	70	86.5	575	2.2	A	1, 16
3	1800	182TC	TEFC	CECP83661T-5	1,449	SD	16.38	147	88.5	575	3	A	1, 16
5	1800	184TC	TEFC	CECP83665T-5	1,457	SD	17.88	147	89.5	575	5.3	A	1, 16
7 1/2	1800	213TC	TEFC	CECP83770T-5	1,846	SD	20.06	208	91.7	575	7.5	A	1, 16
10	1800	215TC	TEFC	CECP83774T-5	2,231	SD	20.06	231	91.7	575	9.8	A	1, 16
15	1800	254TC	TEFC	CECP82333T-5	3,055	SD	25.19	331	92.4	575	14	A	1, 16
20	1800	256TC	TEFC	CECP82334T-5	3,232	SD	25.19	344	93	575	19	A	1, 16
25	1800	284TC	TEFC	CECP84103T-5	4,536	SD	27.93	420	93.6	575	23.9	A	1, 16
30	1800	286TC	TEFC	CECP84104T-5	5,195	SD	27.93	460	93.6	575	28	A	1, 16
50	1800	326TC	TEFC	CECP84115T-5	7,751	SD	30.44	725	94.5	575	46.7	A	1, 16

(a) See notes on inside back flap.

MEETS NRC CANADIAN STANDARDS FOR EFFICIENCY.

Cast Iron Frame

Farm Duty Motors

Definite Purpose Motors

Unit Handling Motors

Brake Motors

200 & 575 Volt Motors

IEC Frame Motors

50 Hertz Motors

Inverter/Vector Motors & Controls

DC Motors and Controls

Soft Start & Dynamic Brakes



**575 Volt,  
Three Phase,  
C-Face, Washdown,  
Totally Enclosed**

**1/2 thru 20 Hp**

**NEMA 56C thru 256TC**

**Applications:** Food processing and other applications that regularly expose the motor to high pressure wash down.



**Features:** 300 series stainless steel hardware, moisture sealant on bolt heads, between frame and endplates. Neoprene gaskets. Double sealed ball bearings. Forsheda® running contact v-ring slinger. Stainless steel shaft extension. Electrostatically applied epoxy finish. Class F insulation. CEWDM Super-E® motors have NEMA Premium® efficiency and 3 year warranty.

Hp	RPM	NEMA Frame	Encl.	Catalog Number	List Price	Mult. Sym.	"C" Dim.	Aprx. Wt. (lb)	Full Load Efficiency	Voltage	Full Load Amps	EISA Status (a)	Notes (a)
<b>C-Face, Foot Mounted</b>													
1/2	1800	56C	TENV	CWDM3538-5	576	WD	11.07	32	78.5	575	0.6	C	1, 60
3/4	1800	56C	TENV	CWDM3542-5	625	WD	11.06	34	80	575	0.9	C	1, 60
1	1800	56C	TENV	CEWDM3546-5	920	WD	12.94	46	85.5	575	1.1	C	1, 60
		56C	TENV	CWDM3546-5	670	WD	12.06	37	81	575	1.3	C	1, 60
1 1/2	1800	145TC	TENV	CEWDM3554T-5	983	WD	13.00	48	86.5	575	1.6	C	1, 60
		145TC	TENV	CWDM3554T-5	725	WD	13.00	49	82.5	575	1.7	C	1, 60
2	1800	145TC	TEFC	CEWDM3558T-5	1,083	WD	14.16	50	86.5	575	2.2	A	1
		145TC	TEFC	CWDM3558T-5	812	WD	13.28	43	84	575	2.2	D	1
3	1800	182TC	TEFC	CEWDM3611T-5	1,423	WD	16.54	75	89.5	575	3.1	A	1
		182TC	TEFC	CWDM3611T-5	1,066	WD	16.54	72	87.5	575	3.3	D	1
5	1800	184TC	TEFC	CEWDM3615T-5	1,612	WD	18.04	99	89.5	575	5.2	A	1
		184TC	TEFC	CWDM3615T-5	1,205	WD	16.54	81	87.5	575	5.7	D	1
7 1/2	1800	213TC	TEFC	CEWDM3710T-5	2,040	WD	19.78	195	91.7	575	8.2	A	1
10	1800	215TC	TEFC	CEWDM3714T-5	2,319	WD	21.27	162	91.7	575	9.6	A	1
15	1800	254TC	TEFC	CEWDM23933T-5	4,560	WD	23.57	247	92.4	575	14.5	A	1
20	1800	256TC	TEFC	CEWDM23934T-5	5,289	WD	23.57	280	93	575	19	A	1
<b>C-Face, Footless</b>													
1/2	1800	56C	TENV	VWDM3538-5	572	WD	11.06	31	75.5	575	0.6	C	1, 60
3/4	1800	56C	TENV	VWDM3542-5	621	WD	11.06	34	80	575	0.9	C	1, 60
1	1800	56C	TENV	VWDM3546-5	665	WD	12.06	38	81	575	1.3	C	1, 60
1 1/2	1800	145TC	TENV	VWDM3554T-5	718	WD	13.00	48	82.5	575	1.7	C	1, 60
2	1800	145TC	TEFC	VWDM3558T-5	816	WD	13.30	46	84	575	2.2	B	1

(a) See notes on inside back flap.

Farm Duty Motors

Definite Purpose Motors

Unit Handling Motors

Brake Motors

200 & 575 Volt Motors

IEC Frame Motors

50 Hertz Motors

Inverter/Vector Motors & Controls

DC Motors and Controls

Soft Starters & Dynamic Brakes

**Standard-E & Super-E 1/2 thru 2 Hp  
Stainless Steel,  
Three Phase,  
Totally Enclosed,  
C-Face**

**NEMA 56C thru 145TC**

**Applications:** Food processing, packaging, outdoor and highly corrosive environments.

**Features:** All external surfaces 300 series stainless steel: motor frame, endplates, conduit box, shaft and base. Moisture resistant insulation system. Four condensate drains in each endplate. Endplate rabbets sealed and conduit box gasketed. Labyrinth seals each end. Especially effective in highly corrosive environments where paint or other finishes do not hold up. Super-E® motors have NEMA Premium® efficiency and 3 year warranty.



Hp	RPM	NEMA Frame	Encl.	Catalog Number	List Price	Mult. Sym.	"C" Dim.	Aprx. Wt. (lb)	Full Load Efficiency	Voltage	Full Load Amps	EISA Status (a)	Notes (a)
<b>Foot Mounted</b>													
1/2	1800	56C	TENV	CSSWDM3538-5	1,178	WD	11.09	37	80	575	0.6	C	
3/4	1800	56C	TENV	CSSWDM3542-5	1,219	WD	11.09	44	82.5	575	0.9	C	
1	1800	56C	TENV	CSSWDM3546-5	1,252	WD	11.09	45	85.5	575	1.1	C	
		143TC	TENV	CESSWDM3546T-5	1,257	WD	11.09	42	87.5	575	1.1	C	
1 1/2	1800	145TC	TEFC	CESSWDM3554T-5	1,281	WD	13.42	45	87.5	575	1.6	A	
2	1800	145TC	TEFC	CESSWDM3558T-5	1,539	WD	15.67	62	88.5	575	2.2	A	

(a) See notes on inside back flap.

Farm Duty Motors

Definite Purpose Motors

Unit Handling Motors

Brake Motors

200 & 575 Volt Motors

IEC Frame Motors

50 Hertz Motors

Inverter/Vector Motors & Controls

DC Motors and Controls

Soft Start & Dynamic Brakes

**575 Volt,  
Three Phase,  
ODP, Foot Mounted**

**1/3 thru 150 Hp**

**NEMA 56 thru 444T**

**Applications:** Pumps, compressors, fans, conveyors, machine tools and other applications where 575 volt three phase power is available.

**Features:** Ball bearings. Mount in any position. Heavy-gauge steel and cast iron frames. EM Super-E® motors have NEMA Premium® efficiency and 3 year warranty.



Hp	RPM	NEMA Frame	Catalog Number	List Price	Mult. Sym.	"C" Dim.	Aprx. Wt. (lb)	Full Load Efficiency	Voltage	Full Load Amps	EISA Status (a)	Notes (a)
1/3	1800	56	M3104-5	265	LS	9.50	20	68	575	0.6	C	
1/2	1800	56	M3108-5	301	LS	9.50	22	74	575	0.8	C	
3/4	1800	56	M3112-5	336	LS	10.12	25	75.5	575	1.2	C	
1	1800	56	M3116-5	379	LS	11.75	28	78.5	575	1.3	C	
		143T	EM3116T-5	628	LS	11.12	33	85.5	575	1.1	A	1
		143T	M3116T-5	381	LS	11.12	30	82.5	575	1.1	D	
1 1/2	1800	145T	EM3154T-5	656	LS	12.12	40	86.5	575	1.7	A	1
		145T	M3154T-5	446	LS	11.62	37	84	575	1.7	D	
2	1800	145T	EM3157T-5	703	LS	13.00	46	86.5	575	2.1	A	1
		145T	M3157T-5	456	LS	12.12	42	84	575	2.2	D	
3	1800	182T	EM3211T-5	758	LS	15.00	66	89.5	575	3.1	A	1
		182T	M3211T-5	476	LS	14.63	62	86.5	575	3.2	D	1
5	1800	184T	EM3218T-5	830	LS	15.00	74	89.5	575	5.2	A	1
		184T	M3218T-5	526	LS	15.00	66	87.5	575	5.5	D	
7 1/2	1800	213T	EM3311T-5	1,220	LS	16.32	114	91	575	7.6	A	1
		213T	M3311T-5	746	LS	17.00	97	88.5	575	7.7	D	
10	1800	215T	EM3313T-5	1,477	LS	17.45	145	91.7	575	10	A	1
		215T	M3313T-5	913	LS	16.32	129	89.5	575	10.8	D	
15	1800	254T	EM2513T-5	2,091	LS	21.69	234	93	575	14.1	A	1
		254T	M2513T-5	1,380	LS	19.75	171	91	575	15.7	D	1
20	1800	256T	EM2515T-5	2,290	L1	21.69	237	93	575	18.9	A	1
		256T	M2515T-5	1,774	L1	22.25	221	91.7	575	19.2	D	
25	1800	284T	EM2531T-5	2,791	L1	23.81	330	93.6	575	24.2	A	1
		284T	M2531T-5	2,150	L1	23.44	278	91.7	575	24.4	D	
30	1800	286T	EM2535T-5	3,052	L1	25.06	356	94.1	575	28	A	1
		286T	M2535T-5	2,514	L1	24.94	280	92.4	575	29	D	
40	1800	324T	EM2539T-5	3,982	L1	26.69	482	94.1	575	37.4	A	1
		324T	M2539T-5	3,205	L1	26.19	387	93	575	38.8	D	
50	1800	326T	EM2543T-5	4,394	L1	27.69	445	94.5	575	46	A	1
		326T	M2543T-5	3,762	L1	27.19	383	93	575	49.2	D	
60	1800	364T	EM2547T-5	5,532	L1	30.69	726	95	575	56	A	1
		364T	M2547T-5	4,640	L1	27.94	467	93.6	575	57.4	D	
75	1800	365T	EM2551T-5	6,790	L1	33.72	808	95	575	69	A	1
		365T	M2551T-5	5,695	L1	29.94	593	94.1	575	70	D	
100	1800	404T	EM2555T-5	7,900	L1	36.97	898	95.4	575	92	A	1
		404T	M2555T-5	6,343	L1	35.22	687	94.1	575	94	D	
125	1800	405T	EM2559T-5	9,691	L1	34.47	1238	95.4	575	115	A	1
		405T	M2559T-5	7,293	L1	34.47	932	94.5	575	115	D	25
150	1800	444T	EM2558T-5	10,765	L1	39.56	1405	95.8	575	136	A	1
		444T	M2558T-5	9,439	L1	39.62	1470	95	575	139	D	25

(a) See notes on inside back flap.

**MEETS NRC CANADIAN STANDARDS FOR EFFICIENCY.**

■ Cast Iron Frame

Farm Duty Motors

Definite Purpose Motors

Unit Handling Motors

Brake Motors

200 & 575 Volt Motors

IEC Frame Motors

50 Hertz Motors

Inverter/Vector Motors & Controls

DC Motors and Controls

Soft Starters & Dynamic Brakes

**575 Volt,  
Three Phase,  
Close-Coupled Pump,  
TEFC and ODP,  
C-Face**

1 thru 20 Hp

NEMA 143JM thru 256JM

**Applications:** Applications for circulating and transferring fluids.

**Features:** Over-sized ball bearings with locked drive end construction for minimum shaft movement. Open drip-proof, close coupled pump motors are furnished with rodent screens at both ends. EJMM Super-E® motors have NEMA Premium® efficiency. 3 year warranty.



Hp	RPM	NEMA Frame	Catalog Number	List Price	Mult. Sym.	"C" Dim.	Aprx. Wt. (lb)	Full Load Efficiency	Voltage	Full Load Amps	EISA Status (a)	Notes (a)
<b>Foot Mounted, Totally Enclosed Fan Cooled</b>												
1	1800	143JM	JMM3546T-5	579	L1	15.43	41	82.5	575	1.2	B	
1 1/2	3600	143JM	JMM3550T-5	608	L1	15.43	36	82.5	575	1.6	B	
	1800	145JM	JMM3554T-5	608	L1	15.43	46	84	575	1.7	B	
2	3600	145JM	JMM3555T-5	678	L1	15.43	47	84	575	2.1	B	
	1800	145JM	JMM3558T-5	635	L1	15.43	49	84	575	2.2	B	
3	3600	145JM	JMM3559T-5	760	L1	16.31	50	85.5	575	3	B	1
		182JM	JMM3610T-5	788	L1	16.69	67	85.5	575	2.8	B	
	1800	182JM	JMM3611T-5	760	L1	18.06	63	87.5	575	3.3	B	1
5	3600	184JM	JMM3613T-5	973	L1	18.06	75	87.5	575	4.8	B	1
	1800	184JM	JMM3615T-5	850	L1	18.06	79	87.5	575	5.7	B	1
7 1/2	3600	184JM	JMM3616T-5	1,101	L1	19.56	88	88.5	575	7	B	2, 20
	1800	213JM	JMM3710T-5	1,087	L1	19.81	122	89.5	575	8.1	B	1
10	3600	215JM	JMM3711T-5	1,483	L1	19.81	127	89.5	575	9.2	B	1
	1800	215JM	JMM3714T-5	1,372	L1	20.94	134	89.5	575	10.8	B	2, 20
15	3600	215JM	JMM3713T-5	1,954	L1	21.69	151	90.2	575	13.5	B	
		254JM	JMM2394T-5	2,570	L1	23.07	192	90.2	575	13.5	B	1
	1800	254JM	JMM2333T-5	2,506	L1	23.07	203	91	575	15.2	B	1
<b>Footless, Totally Enclosed Fan Cooled</b>												
1	1800	143JM	VJMM3546T-5	590	L1	14.43	36	82.5	575	1.2	B	
1 1/2	1800	145JM	VJMM3554T-5	618	L1	15.43	34	84	575	1.7	B	
2	1800	145JM	VJMM3558T-5	646	L1	15.43	45	84	575	2.2	B	
3	1800	182JM	VJMM3611T-5	772	L1	18.05	72	87.5	575	3.3	B	1
5	1800	184JM	VJMM3615T-5	865	L1	19.70	76	87.5	575	5.2	B	1
7 1/2	1800	213JM	VJMM3710T-5	1,123	L1	19.79	121	89.5	575	8.1	B	1
10	1800	215JM	VJMM3714T-5	1,387	L1	20.92	130	89.5	575	10.8	B	2, 20
15	1800	254JM	VJMM2333T-5	2,528	L1	21.82	190	91	575	15.2	B	1
20	1800	256JM	VJMM2334T-5	2,613	L1	25.28	267	91	575	19.1	B	1
<b>Foot Mounted, Open Drip Proof</b>												
3	3600	145JM	JMM3158T-5	654	L1	14.25	45	84	575	3.1	B	
	1800	182JM	JMM3211T-5	648	L1	17.04	60	86.5	575	3.2	B	1
5	3600	182JM	JMM3212T-5	735	L1	15.63	62	85.5	575	4.9	B	
	1800	184JM	JMM3218T-5	701	L1	16.50	73	87.5	575	5.5	B	
7 1/2	3600	184JM	JMM3219T-5	899	L1	16.50	70	87.5	575	7	B	1
	1800	213JM	JMM3311T-5	1,018	L1	18.84	95	88.5	575	8	B	
10	3600	213JM	JMM3312T-5	1,223	L1	18.19	92	88.5	575	9.6	B	
	1800	215JM	JMM3313T-5	1,209	L1	18.19	110	89.5	575	10.8	B	
15	3600	215JM	JMM3314T-5	1,643	L1	19.78	113	89.5	575	14	B	1

(a) See notes on inside back flap.

**MEETS NRC CANADIAN STANDARDS FOR EFFICIENCY.**

■ Cast Iron Frame

Farm Duty Motors

Definite Purpose Motors

Unit Handling Motors

Brake Motors

200 & 575 Volt Motors

IEC Frame Motors

50 Hertz Motors

Inverter/Vector Motors & Controls

DC Motors and Controls

Soft Start & Dynamic Brakes

575 Volt,  
Three Phase,  
Explosion Proof

1/2 thru 40 Hp

NEMA 56 thru 324T

Applications: Shakers, blowers, pumps, mixers, etc.



**Features:** All models have torques exceeding NEMA standards, copper windings, rotors that are corrosion treated and precision balanced. 1.00 Service Factor. UL and CSA approved for Class I, Group D, Class II, Group, F & G, T3C.

Hp	RPM	NEMA Frame	Catalog Number	XP (a) Cls/Grp	List Price	Mult. Sym.	"C" Dim.	Aprx. Wt. (lb)	Full Load Efficiency	Voltage	Full Load Amps	EISA Status (a)	Notes (a)
<b>Foot Mounted, No Drip Cover</b>													
1/2	1800	56	M7006-5	Ⓢ	634	K	14.30	37	74	575	0.9	C	
3/4	1800	56	M7010-5	Ⓢ	730	K	14.30	35	76	575	1.2	C	
1	3600	56	M7013-5	Ⓢ	766	K	13.22	31	75.5	575	1.2	C	
		56	M7014-5	Ⓢ	799	K	14.30	38	75	575	1.4	C	
	1800	143T	EM7014T-5	Ⓢ	1,280	LS	15.23	49	85.5	575	1.2	A	
		143T	M7014T-5	Ⓢ	833	LS	14.36	43	82.5	575	1.2	D	
1 1/2	3600	143T	EM7018T-5	Ⓢ	1,021	L1	14.36	47	84	575	1.6	A	
		143T	M7018T-5	Ⓢ	786	L1	15.23	49	82.5	575	1.5	D	
	1800	145T	EM7034T-5	Ⓢ	1,326	LS	16.10	56	86.5	575	1.6	A	
		145T	M7034T-5	Ⓢ	835	LS	15.23	50	84	575	1.7	D	
2	3600	145T	EM7071T-5	Ⓢ	1,045	L1	16.10	56	85.5	575	2.2	A	
		145T	M7071T-5	Ⓢ	804	L1	15.23	53	84	575	2.1	D	
	1800	145T	EM7037T-5	Ⓢ	1,446	LS	16.10	61	86.5	575	2.2	A	
		145T	M7037T-5	Ⓢ	942	LS	15.23	53	84	575	2.2	D	
3	1800	182T	EM7042T-5	Ⓢ	1,340	L1	18.92	90	89.5	575	3.4	A	
		182T	M7042T-5	Ⓢ	1,030	LS	17.42	78	87.5	575	3.3	D	
5	3600	184T	EM7072T-5	Ⓢ	1,538	L1	18.12	100	88.5	575	4.8	A	
		184T	M7072T-5	Ⓢ	1,183	L1	18.12	94	87.5	575	5.5	D	
	1800	184T	EM7044T-5	Ⓢ	1,660	L1	18.92	105	89.5	575	5.2	A	
		184T	M7044T-5	Ⓢ	1,277	LS	17.37	97	87.5	575	5.2	D	
7 1/2	1800	213T	EM7047T-5	Ⓢ	2,204	L1	19.57	178	91.7	575	8.1	A	
		213T	M7047T-5	Ⓢ	1,574	LS	19.57	170	89.5	575	8.1	D	
10	1800	215T	EM7170T-5	Ⓢ	2,767	L1	19.90	251	91.7	575	9.8	A	
		215T	M7170T-5	Ⓢ	2,131	L1	19.90	217	89.5	575	10.4	D	
15	1800	254T	EM7054T-5	Ⓢ	3,791	LS	25.50	370	92.4	575	14.4	A	
		254T	M7054T-5	Ⓢ	2,461	LS	25.50	351	91	575	14.9	D	
20	1800	256T	EM7056T-5	Ⓢ	4,913	LS	25.50	393	93	575	19.2	A	
		256T	M7056T-5	Ⓢ	3,191	LS	25.50	361	91	575	19.2	D	
25	1800	284T	EM7058T-5	Ⓢ	5,960	LS	28.61	542	93.6	575	24.4	A	
		284T	M7058T-5	Ⓢ	3,948	LS	28.61	528	92.4	575	24.6	D	
30	1800	286T	EM7060T-5	Ⓢ	7,266	L1	28.61	567	93.6	575	48.4	A	
		286T	M7060T-5	Ⓢ	4,735	L1	28.61	552	92.4	575	28.8	D	
40	1800	324T	EM7062T-5	Ⓢ	9,738	LS	32.00	767	94.1	575	38.4	A	
		324T	M7062T-5	Ⓢ	6,447	LS	32.00	761	93	575	37.6	D	

(a) See notes on inside back flap.

■ Cast Iron Frame

**CAUTION:** Explosion-proof motors have a tight fit between mating parts to ensure the integrity of the explosion-proof enclosure. This can lead to an accumulation of moisture inside the motors due to condensation. Care should be used when selecting an explosion-proof motor, especially when installed outdoors and on intermittent duty. The Explosion-proof motors are not suitable for use with adjustable speed drives. Inverter Duty Explosion-proof motors must be used. See page 232.

Farm Duty Motors

Definite Purpose Motors

Unit Handling Motors

Brake Motors

200 & 575 Volt Motors

IEC Frame Motors

50 Hertz Motors

Inverter/Vector Motors & Controls

DC Motors and Controls

Soft Starters & Dynamic Brakes

575 Volt, Three Phase, Explosion Proof

Hp	RPM	NEMA Frame	Catalog Number	XP <sup>(a)</sup> Cls/Grp	List Price	Mult. Sym.	"C" Dim.	Aprx. Wt. (lb)	Full Load Efficiency	Voltage	Full Load Amps	EISA Status <sup>(a)</sup>	Notes <sup>(a)</sup>
<b>C-Face, Footless, No Drip Cover</b>													
1/2	1800	56C	VM7006-5	Ⓟ	825	K	14.30	34	74	575	0.9	C	
3/4	1800	56C	VM7010-5	Ⓟ	840	K	14.30	35	76	575	1.2	C	
1	1800	56C	VM7014-5	Ⓟ	882	K	14.30	40	75	575	1.4	C	
		143TC	VEM7014T-5	Ⓟ	1,167	L1	15.23	44	85.5	575	1.1	B	
		143TC	VM7014T-5	Ⓟ	952	L1	14.36	44	82.5	575	1.2	B	
1 1/2	1800	145TC	VEM7034T-5	Ⓟ	1,272	L1	16.10	52	86.5	575	1.6	B	
		145TC	VM7034T-5	Ⓟ	1,026	L1	15.23	50	84	575	1.7	B	
2	1800	145TC	VEM7037T-5	Ⓟ	1,348	L1	17.48	53	86.5	575	2.2	B	
		145TC	VM7037T-5	Ⓟ	1,110	L1	15.23	51	84	575	2.2	B	
3	1800	182TC	VEM7042T-5	Ⓟ	1,522	L1	18.86	95	89.5	575	3.2	B	
		182TC	VM7042T-5	Ⓟ	1,423	L1	18.86	92	87.5	575	3.3	B	
5	1800	184TC	VEM7044T-5	Ⓟ	1,798	L1	18.80	112	89.5	575	5.2	B	
		184TC	VM7044T-5	Ⓟ	1,733	L1	18.80	109	87.5	575	5.2	B	
7 1/2	1800	213TC	VM7047T-5	Ⓟ	2,006	L1	19.19	171	89.5	575	8.1	B	

<sup>(a)</sup> See notes on inside back flap.

**CAUTION:** Explosion-proof motors have a tight fit between mating parts to ensure the integrity of the explosion-proof enclosure. This can lead to an accumulation of moisture inside the motors due to condensation. Care should be used when selecting an explosion-proof motor, especially when installed outdoors and on intermittent duty. The Explosion-proof motors are not suitable for use with adjustable speed drives. Inverter Duty Explosion-proof motors must be used. See page 232.

Farm Duty Motors

Definite Purpose Motors

Unit Handling Motors

Brake Motors

200 & 575 Volt Motors

IEC Frame Motors

50 Hertz Motors

Inverter/Vector Motors & Controls

DC Motors and Controls

Soft Start & Dynamic Brakes



**Drill Rig Duty,  
Three Phase,  
1.15 Service Factor,  
Foot Mounted**

**3 thru 100 Hp**

**NEMA 182T thru 405T**



**Applications:** On and off shore drill rig service, bulk fuel terminals, and transfer stations. For use in high humidity hazardous-duty applications driving pumps, compressors, blowers, fans, and many other loads that require 1.15 service factor explosion-proof motors. Designed with features for use in the petroleum industry. Includes Class I, Group C & D approval for use in areas where hydrogen sulfide is present.

**Features:** Labyrinth-type recessed shaft slinger for increased bearing protection Explosion-proof breather/drain to prevent build up of condensation. 40°C ambient, Class F insulation. Corrosion resistant finish with two part epoxy coating. UL and CSA approved for Class I, Group C & D. 1.15 service factor. Suitable for 55°C @ 1.0 service factor.

Hp	RPM	NEMA Frame	Catalog Number	XP (a) Cls/Grp	List Price	Mult. Sym.	"C" Dim.	Aprx. Wt. (lb)	Full Load Efficiency	Voltage	Full Load Amps	EISA Status (a)	Notes (a)
3	1800	182T	EM7042T-I-5	⑤	1,341	SD	18.92	90	89.5	575	3.4	A	1, 19
		182T	M7042T-I-5	⑤	1,033	SD	18.27	99	87.5	575	3.3	D	1, 19
5	1800	184T	EM7044T-I-5	⑤	1,663	SD	18.92	105	89.5	575	5.2	A	1, 19
		184T	M7044T-I-5	⑤	1,281	SD	18.27	114	87.5	575	5.2	D	1, 19
7 1/2	1800	213T	EM7047T-I-5	⑤	2,050	SD	19.57	178	91.7	575	8.1	A	1, 19
		213T	M7047T-I-5	⑤	1,579	SD	20.32	165	89.5	575	8.2	D	1, 19
10	1800	215T	EM7170T-I-5	⑤	2,767	SD	19.90	251	91.7	575	9.8	A	1, 19
		215T	M7170T-I-5	⑤	2,131	SD	20.03	230	89.5	575	11.4	D	1, 19
15	1800	254T	EM7054T-I-5	⑤	3,320	SD	25.50	370	92.4	575	14.4	A	1, 19
		254T	M7054T-I-5	⑤	2,469	SD	25.50	381	91	575	14.9	D	1, 19
20	1800	256T	EM7056T-I-5	⑤	4,156	SD	25.50	393	93	575	19.2	A	1, 19
		256T	M7056T-I-5	⑤	3,201	SD	25.50	381	91	575	19.2	D	1, 19
25	1800	284T	EM7058T-I-5	⑤	5,218	SD	28.61	542	93.6	575	24.4	A	1, 19
		284T	M7058T-I-5	⑤	3,960	SD	28.61	415	92.4	575	24.6	D	1, 19
30	1800	286T	EM7060T-I-5	⑤	6,363	SD	28.61	567	93.6	575	48.4	A	1, 19
		286T	M7060T-I-5	⑤	4,735	SD	28.61	583	92.4	575	28.8	D	1, 19
40	1800	324T	EM7062T-I-5	⑤	8,527	SD	32.00	767	94.1	575	38.4	A	1, 19
		324T	M7062T-I-5	⑤	6,468	SD	32.00	764	93	575	37.6	D	1, 19
50	1800	326T	EM7064T-I-5	⑤	9,919	SD	32.00	790	94.5	575	46.4	A	1, 19
		326T	M7064T-I-5	⑤	7,526	SD	32.00	795	93	575	47	D	1, 19
60	1800	364T	EM7066T-I-5	⑤	11,215	SD	33.44	965	95	575	91.6	A	1, 19
		364T	M7066T-I-5	⑤	8,537	SD	33.25	979	93.6	575	56	D	1, 19
75	1800	365T	EM7068T-I-5	⑤	11,675	SD	33.44	1065	95.4	575	68.9	A	1, 19
		365T	M7068T-I-5	⑤	10,500	SD	33.25	1031	94.1	575	69	D	1, 19
100	1800	405T	EM7090T-I-5	⑤	14,973	SD	38.31	1335	95.4	575	90	A	1, 19
		405T	M7090T-I-5	⑤	12,693	SD	38.75	1372	94.5	575	87	D	1, 19

(a) See notes on inside back flap.

■ Cast Iron Frame

Farm Duty Motors

Definite Purpose Motors

Unit Handling Motors

Brake Motors

200 & 575 Volt Motors

IEC Frame Motors

50 Hertz Motors

Inverter/Vector Motors & Controls

DC Motors and Controls

Soft Starters & Dynamic Brakes

**Metric IEC  
Frame Motors,  
Three Phase, 60 Hz,  
230/460 Volts**

**0.18 thru 1.5 kW (.25 thru 2 Hp)**

**IEC D63 thru D90L**

**Applications:** Replacement motors for equipment made in Europe requiring IEC metric frame mounting.



**Features:** Class F insulated motor with 1.15 service factor or higher that operates within class “B” temperature limits at rated horsepower. IP55 weather proof enclosure, aluminum frame construction. CSA and CSAus certification #1282269 (LR112981).

kW/HP	RPM	IEC Frame	Catalog Number	List Price	Mult. Sym.	“Q” Dim.	Aprx. Wt. (lb)	Full Load Efficiency	Voltage	Full Load Amps	EISA Status (a)	Notes (a)
<b>B3, Foot Mounted</b>												
.18/.25	3600	D63	MM5100	212	K	8.74	9	64	230/460	0.5	C	48
	1800	D63	MM5150	221	K	8.74	12	64	230/460	0.6	C	48
.25/.33	3600	D63	MM5200	246	K	8.74	10	62	230/460	0.7	C	48
	1800	D71	MM5250	259	K	9.60	11	64	230/460	0.8	C	48
.37/.50	3600	D71	MM5300	264	K	9.60	13	66	230/460	1	C	48
	1800	D71	MM5350	270	K	9.60	16	72	230/460	0.9	C	48
.55/.75	3600	D71	MM5400	275	K	9.60	17	70.5	230/460	1.4	C	48
	1800	D80	MM5450	293	K	11.26	22	75.5	230/460	1.3	C	48
.75/1	3600	D80	MM5500	312	K	11.26	20	76	230/460	1.6	C	48
	1800	D80	MM5550	318	K	11.26	23	82.5	230/460	1.7	C	48
1.1/1.5	3600	D80	MM5600	348	K	11.26	23	82.5	230/460	2.1	C	48
	1800	D90S	EMM5650	462	K	11.93	28	86.5	230/460	2.1	A	48
		D90S	MM5650	356	K	11.93	26	84.5	230/460	2.1	D	48
1.5/2	3600	D90S	EMM5700	480	K	11.93	36	85.5	230/460	2.8	A	48
		D90S	MM5700	370	K	11.93	34	84	230/460	2.8	D	48
	1800	D90L	EMM5750	496	K	12.91	39	86.5	230/460	3.1	A	48
		D90L	MM5750	383	K	12.91	37	84	230/460	3.1	D	48
<b>B5, Flange Mounted</b>												
.18/.25	3600	D63D	MVM5100D	244	K	8.74	10	63	230/460	0.5	C	48
	1800	D63D	MVM5150D	254	K	8.74	13	64	230/460	0.6	C	48
.25/.33	3600	D63D	MVM5200D	281	K	8.74	11	62	230/460	0.7	C	48
	1800	D71D	MVM5250D	289	K	9.60	12	64	230/460	0.8	C	48
.37/.50	3600	D71D	MVM5300D	288	K	9.60	14	66	230/460	1	C	48
	1800	D71D	MVM5350D	300	K	9.60	17	72	230/460	1	C	48
.55/.75	3600	D71D	MVM5400D	306	K	9.60	18	70.5	230/460	1.4	C	48
	1800	D80D	MVM5450D	326	K	11.26	23	75.5	230/460	1.3	C	48
.75/1	3600	D80D	MVM5500D	334	K	11.26	21	76	230/460	1.6	C	48
	1800	D80D	MVM5550D	351	K	11.26	24	82.5	230/460	1.7	C	48
1.1/1.5	3600	D80D	MVM5600D	383	K	11.26	24	82.5	230/460	2.1	C	48
	1800	D90SD	MVM5650D	389	K	11.93	17	84	230/460	2.1	B	48
1.5/2	3600	D90SD	MVM5700D	424	K	11.93	35	84	230/460	2.8	B	48
	1800	D90LD	MVM5750D	435	K	12.91	45	84	230/460	3.1	B	48
<b>B14, Face Mounted</b>												
.18/.25	3600	D63C	MVM5100C	238	K	8.74	9	63	230/460	0.5	C	48
	1800	D63C	MVM5150C	246	K	8.74	12	64	230/460	0.6	C	48
.25/.33	3600	D63C	MVM5200C	276	K	8.74	10	62	230/460	0.7	C	48
	1800	D71C	MVM5250C	284	K	9.60	11	64	230/460	0.8	C	48
.37/.50	3600	D71C	MVM5300C	285	K	9.60	13	66	230/460	1	C	48
	1800	D71C	MVM5350C	296	K	9.60	16	72	230/460	1	C	48
.55/.75	3600	D71C	MVM5400C	300	K	9.60	17	70.5	230/460	1.4	C	48
	1800	D80C	MVM5450C	319	K	11.26	22	75.5	230/460	1.3	C	48
.75/1	3600	D80C	MVM5500C	328	K	11.26	20	76	230/460	1.6	C	48
	1800	D80C	MVM5550C	346	K	11.26	23	82.5	230/460	1.7	C	48
1.1/1.5	3600	D80C	MVM5600C	375	K	11.26	23	82.5	230/460	2.1	C	48
	1800	D90SC	MVM5650C	380	K	11.93	33	84	230/460	2.1	B	48
1.5/2	3600	D90SC	MVM5700C	413	K	11.93	34	84	230/460	2.8	B	48
	1800	D90LC	MVM5750C	424	K	12.91	37	84	230/460	3.1	B	48

(a) See notes on inside back flap.

**Metric IEC  
Frame Motors,  
Three Phase,  
60 Hz, 575 Volts**

**0.18 thru 1.5 kW (.25 thru 2 Hp)**

**IEC D63 thru D90L**

**Applications:** Replacement motors for equipment made in Europe requiring IEC metric frame mounting.



**Features:** Class F insulated motor with 1.15 service factor or higher that operates within class "B" temperature limits at rated horsepower. IP55 weather proof enclosure, aluminum frame construction. CSA and CSAus certification #1282269 (LR112981).

kW/HP	RPM	IEC Frame	Catalog Number	List Price	Mult. Sym.	"Q" Dim.	Aprx. Wt. (lb)	Full Load Efficiency	Voltage	Full Load Amps	EISA Status (a)	Notes (a)
<b>B3, Foot Mounted</b>												
.18/.25	3600	D63	MM5100-5	212	K	8.74	9	63	575	0.4	C	
	1800	D63	MM5150-5	221	K	8.74	12	64	575	0.5	C	
.25/.33	3600	D63	MM5200-5	246	K	8.74	10	62	575	0.6	C	
	1800	D71	MM5250-5	259	K	9.60	11	64	575	0.6	C	
.37/.50	3600	D71	MM5300-5	264	K	9.60	13	66	575	0.8	C	
	1800	D71	MM5350-5	270	K	9.60	16	72	575	0.7	C	
.55/.75	3600	D71	MM5400-5	275	K	9.60	17	70.5	575	1.1	C	
	1800	D80	MM5450-5	293	K	11.26	22	75.5	575	1.1	C	
.75/1	3600	D80	MM5500-5	312	K	11.26	20	76	575	1.2	C	
	1800	D80	MM5550-5	318	K	11.26	20	82.5	575	1.4	C	
1.1/1.5	3600	D80	MM5600-5	348	K	11.26	23	82.5	575	1.7	C	
		D90S	EMM5650-5	462	K	11.93	28	86.5	575	1.7	A	
	1800	D90S	MM5650-5	356	K	11.93	33	84.5	575	1.7	D	
1.5/2	3600	D90S	EMM5700-5	480	K	11.93	36	85.5	575	2.2	A	
		D90S	MM5700-5	370	K	11.93	34	84	575	2.2	D	
	1800	D90L	EMM5750-5	496	K	12.91	39	86.5	575	2.5	A	
		D90L	MM5750-5	383	K	12.91	37	84	575	2.5	D	
<b>B5, Flange Mounted</b>												
.18/.25	3600	D63D	MVM5100D-5	244	K	8.74	10	63	575	0.4	C	
	1800	D63D	MVM5150D-5	254	K	8.74	13	64	575	0.5	C	
.25/.33	3600	D63D	MVM5200D-5	281	K	8.74	11	62	575	0.6	C	
	1800	D71D	MVM5250D-5	289	K	9.60	12	64	575	0.6	C	
.37/.50	3600	D71D	MVM5300D-5	288	K	9.60	14	66	575	0.8	C	
	1800	D71D	MVM5350D-5	300	K	9.60	17	72	575	0.8	C	
.55/.75	3600	D71D	MVM5400D-5	306	K	9.60	18	70.5	575	1.1	C	
	1800	D80D	MVM5450D-5	326	K	11.26	23	75.5	575	1.1	C	
.75/1	3600	D80D	MVM5500D-5	334	K	11.26	21	76	575	1.2	C	
	1800	D80D	MVM5550D-5	351	K	11.26	24	82.5	575	1.4	C	
1.1/1.5	3600	D80D	MVM5600D-5	383	K	11.26	24	82.5	575	1.7	C	
		D90SD	EMVM5650D-5	504	K	11.93	29	86.5	575	1.7	A	
	1800	D90SD	MVM5650D-5	389	K	11.93	27	84.5	575	1.7	D	
1.5/2	3600	D90SD	EMVM5700D-5	550	K	11.93	37	85.5	575	2.2	A	
		D90SD	MVM5700D-5	424	K	11.93	35	84	575	2.2	D	
	1800	D90LD	EMVM5750D-5	564	K	12.91	40	86.5	575	2.5	A	
		D90LD	MVM5750D-5	435	K	12.91	38	84	575	2.5	D	

(a) See notes on inside back flap.

Farm Duty Motors

Definite Purpose Motors

Unit Handling Motors

Brake Motors

200 & 575 Volt Motors

IEC Frame Motors

50 Hertz Motors

Inverter/Vector Motors & Controls

DC Motors and Controls

Soft Starters & Dynamic Brakes

Metric IEC Frame Motors, Three Phase, 60 Hz, 575 Volts

kW/Hp	RPM	IEC Frame	Catalog Number	List Price	Mult. Sym.	"Q" Dim.	Aprx. Wt. (lb)	Full Load Efficiency	Voltage	Full Load Amps	EISA Status (a)	Notes (a)
<b>B14, Face Mounted</b>												
.18/.25	3600	D63C	MVM5100C-5	238	K	8.74	9	63	575	0.4	C	
	1800	D63C	MVM5150C-5	246	K	8.74	12	64	575	0.5	C	
.25/.33	3600	D63C	MVM5200C-5	276	K	8.74	10	62	575	0.6	C	
	1800	D71C	MVM5250C-5	284	K	9.60	11	64	575	0.6	C	
.37/.50	3600	D71C	MVM5300C-5	285	K	9.60	13	66	575	0.8	C	
	1800	D71C	MVM5350C-5	296	K	9.60	16	72	575	0.7	C	
.55/.75	3600	D71C	MVM5400C-5	300	K	9.60	17	70.5	575	1.1	C	
	1800	D80C	MVM5450C-5	319	K	11.26	22	75.5	575	1.1	C	
.75/1	3600	D80C	MVM5500C-5	328	K	11.26	20	76	575	1.2	C	
	1800	D80C	MVM5550C-5	346	K	11.26	23	82.5	575	1.4	C	
1.1/1.5	3600	D80C	MVM5600C-5	452	K	11.26	23	82.5	575	1.2	C	
		D90SC	EMVM5650C-5	493	K	11.93	28	86.5	575	1.7	A	
	1800	D90SC	MVM5650C-5	380	K	11.93	26	84.5	575	1.7	D	
1.5/2	3600	D90SC	EMVM5700C-5	535	K	11.93	36	85.5	575	2.2	A	
		D90SC	MVM5700C-5	413	K	11.93	34	84	575	2.2	D	
	1800	D90LC	EMVM5750C-5	550	K	12.91	39	86.5	575	2.5	A	
		D90LC	MVM5750C-5	424	K	12.91	37	84	575	2.5	D	

(a) See notes on inside back flap.

Metric IEC Frame Motors, 60 Hz. – Replacement Parts List

Catalog Number	Description	List Price
<b>Metric IEC D63</b>		
LEP63FR	IEC D63, FR Endplate, (X-NDENDBELL 63)	55
LEP63PU	IEC D63, PU Endplate, (X-ENDBELL 63)	51
LFL63B5	IEC D63D, B5, D-Flange, (FL63B5)	64
LFL63B14	IEC D63C, B14, C-Face, (FL63B14)	64
LFC00015	IEC D63, Fan Cover, (XCR00015)	34
LFN00021	IEC D63, Plastic Fan, (XVN00021)	28
LCB63X71	IEC D63-D71, Terminal Box, (XCA00063)	71
<b>Metric IEC D71</b>		
LEP71FR	IEC D71, FR Endplate, (X-NDENDBELL 71)	55
LEP71PU	IEC D71, PU Endplate, (X-ENDBELL 71)	51
LFL71B5	IEC D71D, B5, D-Flange, (FL71B5)	71
LFL71B14	IEC D71C, B14, C-Face, (FL71B14)	71
LFC00021	IEC D71, Fan Cover, (XCR00021)	34
LFN00031	IEC D71, Plastic Fan, (XVN00031)	28
LCB63X71	IEC D63-D71, Terminal Box, (XCA00063)	71
LBA71	IEC D71, Horz Base (XHDP71)	31
<b>Metric IEC D80</b>		
LEP80FR	IEC D80, FR Endplate, (X-NDENDBELL 80)	58
LEP80PU	IEC D80, PU Endplate, (X-ENDBELL 80)	55
LFL80B5	IEC D80D, B5, D-Flange, (FL80B5)	73
LFL80B14	IEC D80C, B14, C-Face, (FL80B14)	73
LFC00035	IEC D80, Fan Cover, (XCR00035)	38
LFN00041	IEC D80, Plastic Fan, (XVN00041)	40
LCB80X112	IEC D80-D112, Terminal Box, (XCA00090)	71
LBA80	IEC D80, Horz Base (XHDP80)	48
<b>Metric IEC D90</b>		
LEP90FR	IEC D90, FR Endplate, (X-NDENDBELL 90)	62
LEP90PU	IEC D90, PU Endplate, (X-ENDBELL 90)	57
LFL90B5	IEC D90D, B5, D-Flange, (FL90B5)	82
LFL90B14	IEC D90C, B14, C-Face, (FL90B14)	82
LFC00041	IEC D90, Fan Cover, (XCR00041)	41
LFN00051	IEC D90, Plastic Fan, (XVN00051)	45
LCB80X112	IEC D80-D112, Terminal Box, (XCA00090)	71
LBA90	IEC D90, Horz Base (XHDP90)	82

**Metric IEC  
Frame Motors,  
Three Phase,  
60 Hz**

**0.18 thru 1.5 kW (.25 thru 2 Hp) IEC D63 thru D90L**

**Applications:** Replacement motors for equipment made in Europe requiring IEC metric frame mounting.

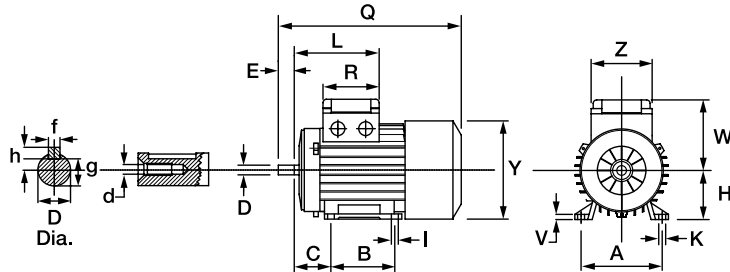
**Features:** Class F insulated motor with 1.15 service factor or higher that operates within class "B" temperature limits at rated horsepower. IP55 weather proof enclosure, aluminum frame construction. CSA and CSAus certification #1282269 (LR112981).



**Dimensions**

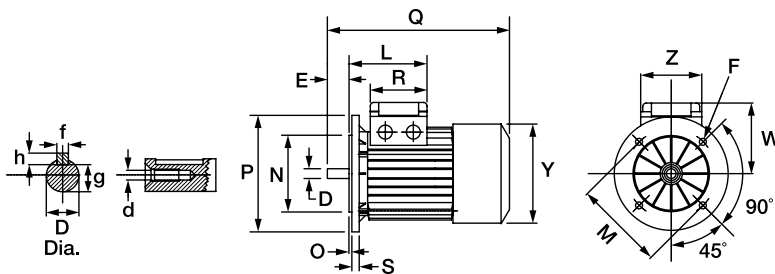
IEC Frame	Ø D	E	f	g	h	L	Q	R	V	Y	Z	d
63	11	23	4	8.5	4	112	222	92	8	123	90	M4
71	14	30	5	11	5	115	244	92	8	139	90	M5
80	19	40	6	15.5	6	137	286	116	9.5	157	111	M6
90 S	24	50	8	20	7	143	317	116	11	177	111	M8
90 L	24	50	8	20	7	143	317	116	11	177	111	M8

**B3 - Foot Mount**



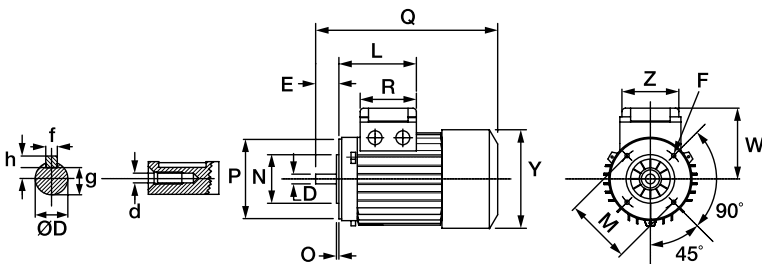
IEC Frame	A	B	C	H	I	K	W
63	100	80	40	63	8	10.5	96.5
71	112	90	45	71	7	10.5	111
80	125	100	50	80	9	14	129
90 S	140	100	56	90	10	14	138
90 L	140	125	56	90	10	14	138

**B5 - Flange Mount**



IEC Frame	F	Ø M	Ø N	O	Ø P	S
63	9.5	115	95	3	140	10
71	9.5	130	110	3.5	160	12
80	11.5	165	130	3.5	200	12
90 S	11.5	165	130	3.5	200	12
90 L	11.5	165	130	3.5	200	12

**B14 - Face Mount**



IEC Frame	F	Ø M	Ø N	O	Ø P
63	M5	75	60	2.5	90
71	M6	85	70	2.5	105
80	M6	100	80	3	120
90 S	M8	115	95	3	140
90 L	M8	115	95	3	140

Farm Duty  
Motors

Definite Purpose  
Motors

Unit Handling  
Motors

Brake Motors

200 & 575 Volt  
Motors

IEC Frame  
Motors

50 Hertz  
Motors

Inverter/Vector  
Motors & Controls

DC Motors  
and Controls

Soft Starters &  
Dynamic Brakes

**Super-E,  
Metric IEC Motors,  
Three Phase, 50 Hz,  
230/400 & 400 Volts**

**4 thru 132 kW (5-177 Hp)**

**IEC D112M thru D315M**

**Applications:** Pumps, compressors, fans, conveyors and other general purpose three phase applications.



**Features:** Suitable for mounting in any position. Cast iron frame, endplates conduit box and fan cover. Metric hardware and terminal strip in F2 conduit box. Re-greasing provisions and thermistors on 11kW (D160 frame) and larger. IP55 protection. Wye-delta connection. Efficiency per IEC 60034-30, IE3 level. Complies with AS/NZS 1359.5.2005 High-Efficiency MEPS. UL, CSA and CE compliant.

kW/Hp	RPM	IEC Frame	Catalog Number	List Price	Mult. Sym.	"L" Dim. (in)	Aprx. Wt. (lb)	Full Load Efficiency	Voltage	Full Load Amps	EISA Status (a)	Notes (a)
4/5	3000	D112M	<a href="#">EM11042-57</a>	1,246	L1	15.12	106	88.1	230/400	7.1	C	1, 48
	3000	D132S	<a href="#">EM13062-58</a>	1,444	L1	18.23	181	89.2	400	9.7	C	1, 48
5.5/7.5	1500	D132S	<a href="#">EM13064-58</a>	1,392	L1	18.23	81	89.6	400	11.5	C	1, 48
	3000	D132S	<a href="#">EM13082-58</a>	1,693	L1	18.23	175	90.1	400	13.4	C	1, 48
7.5/10	1500	D132M	<a href="#">EM13084-58</a>	1,560	L1	18.23	91	90.4	400	14.5	C	1, 48
	3000	D160M	<a href="#">EM16112-58</a>	2,436	L1	23.66	282	92.4	400	20.3	C	1, 48
11/15	1500	D160M	<a href="#">EM16114-58</a>	2,250	L1	23.66	286	92.4	400	21.5	C	1, 48
	3000	D160M	<a href="#">EM16152-58</a>	2,665	L1	23.66	294	93	400	26	C	1, 48
15/20	1500	D160L	<a href="#">EM16154-58</a>	2,705	L1	23.66	315	92.1	400	28.5	C	1, 48
	3000	D160L	<a href="#">EM16192-58</a>	3,444	L1	23.66	310	93	400	32	C	1, 48
18.5/25	1500	D180M	<a href="#">EM18194-58</a>	3,507	L1	27.48	459	93.6	400	33.5	C	1, 48
	3000	D180M	<a href="#">EM18222-58</a>	4,073	L1	27.48	445	93.6	400	38.5	C	1, 48
22/30	1500	D180L	<a href="#">EM18224-58</a>	4,142	L1	27.48	451	93.6	400	43.5	C	1, 48
	3000	D200M	<a href="#">EM20302-58</a>	5,246	L1	29.33	608	94.1	400	52	C	1, 48
30/40	1500	D200L	<a href="#">EM20304-58</a>	5,383	L1	29.33	608	94.5	400	52.6	C	1, 48
	3000	D200M	<a href="#">EM20372-58</a>	6,056	L1	29.33	633	94.1	400	63	C	1, 48
37/50	1500	D225S	<a href="#">EM22374-58</a>	5,874	L1	32.48	367	93.9	400	66.1	C	1, 48
	3000	D225S	<a href="#">EM22452-58</a>	8,466	L1	31.30	815	94.1	400	77	C	1, 48
45/60	1500	D225S	<a href="#">EM22454-58</a>	8,406	L1	32.48	808	94.2	400	80.8	C	1, 48
	3000	D250S	<a href="#">EM25552-58</a>	9,833	L1	36.30	1100	94.5	400	96.2	C	1, 48
55/75	1500	D250M	<a href="#">EM25554-58</a>	9,813	L1	36.30	1185	94.8	400	102	C	1, 48
	3000	D280S	<a href="#">EM28752-58</a>	12,454	L1	41.14	1264	95.4	400	130	C	1, 48
75/100	1500	D250M	<a href="#">EM25754-58</a>	12,359	L1	36.30	569	95	460	134	C	1, 48
	3000	D280S	<a href="#">EM28902-58</a>	16,910	L1	41.14	1421	95.5	400	151	C	1, 48
90/125	1500	D280M	<a href="#">EM28904-58</a>	16,635	L1	42.48	1455	95.7	400	158	C	1, 48
	3000	D315S	<a href="#">EM31112-58</a>	20,059	L1	45.94	1592	95.8	400	193	C	1, 48
110/150	1500	D315M	<a href="#">EM31114-58</a>	19,469	L1	45.94	1859	96	400	192	C	1, 48
	3000	D315S	<a href="#">EM31132-58</a>	21,995	L1	44.76	1662	96.1	400	226	C	1, 48
132/177	1500	D315M	<a href="#">EM31134-58</a>	21,686	L1	45.94	1859	96.1	400	231	C	1, 48

(a) See notes on inside back flap.

■ Cast Iron Frame

Farm Duty Motors

Definite Purpose Motors

Unit Handling Motors

Brake Motors

200 & 575 Volt Motors

IEC Frame Motors

50 Hertz Motors

Inverter/Vector Motors & Controls

DC Motors and Controls

Soft Start & Dynamic Brakes



**Metric-E,  
IEC Motors,  
Three Phase, 50 Hz,  
230/400 & 400 Volts**

**4 thru 132 kW (5-177 Hp)**

**IEC D112M thru D315M**

**Applications:** Pumps, compressors, fans, conveyors and other general purpose three phase applications.



**Features:** Suitable for mounting in any position. Cast iron frame, endplates conduit box and fan cover. Metric hardware and terminal strip in F2 conduit box. Re-greasing provisions and thermistors on 11kW (D160 frame) and larger. IP55 protection. Wye-delta connection. Efficiency per IEC 60034-30, IE2 level. Complies with AS/NZS 1359.5.2005 High-Efficiency MEPS. UL, CSA and CE compliant.

kW/HP	RPM	IEC Frame	Catalog Number	List Price	Mult. Sym.	"L" Dim. (in)	Aprx. Wt. (lb)	Full Load Efficiency	Voltage	Full Load Amps	EISA Status (a)	Notes (a)
4/5	3000	D112M	<b>M11042-57</b>	1,114	L1	15.12	98	86.3	230/400	7.1	C	1, 48
	1500	D112M	<b>M11044-57</b>	920	L1	15.12	113	87	230/400	8.1	C	1, 48
5.5/7.5	3000	D132S	<b>M13062-58</b>	1,268	L1	18.23	168	87.2	400	10.2	C	1, 48
	1500	D132S	<b>M13064-58</b>	1,228	L1	18.23	178	87.9	400	12.2	C	1, 48
7.5/10	3000	D132S	<b>M13082-58</b>	1,524	L1	18.23	198	88.3	400	13.8	C	1, 48
	1500	D132M	<b>M13084-58</b>	1,321	L1	18.23	196	88.9	400	15.3	C	1, 48
11/15	3000	D160M	<b>M16112-58</b>	2,089	L1	23.66	282	90.2	400	19.5	C	1, 48
	1500	D160M	<b>M16114-58</b>	1,874	L1	23.66	286	91.4	400	20.5	C	1, 48
15/20	3000	D160M	<b>M16152-58</b>	2,286	L1	23.66	294	90.3	400	26	C	1, 48
	1500	D160L	<b>M16154-58</b>	2,243	L1	23.66	315	91.2	400	27.5	C	1, 48
18.5/25	3000	D160L	<b>M16192-58</b>	2,879	L1	23.66	310	91	400	31.5	C	1, 48
	1500	D180M	<b>M18194-58</b>	2,750	L1	27.48	437	91.8	400	35.5	C	1, 48
22/30	3000	D180M	<b>M18222-58</b>	3,117	L1	27.48	202	91.7	400	38.5	C	1, 48
	1500	D180L	<b>M18224-58</b>	3,231	L1	27.48	470	92.4	400	41	C	1, 48
30/40	3000	D200M	<b>M20302-58</b>	4,411	L1	29.33	625	92	400	53	C	1, 48
	1500	D200L	<b>M20304-58</b>	4,254	L1	29.33	608	92.4	400	54.5	C	1, 48
37/50	3000	D200M	<b>M20372-58</b>	4,482	L1	29.33	725	92.5	400	64	C	1, 48
	1500	D225M	<b>M22374-58</b>	4,399	L1	32.48	808	94.1	400	72.5	C	1, 48
45/60	3000	D225S	<b>M22452-58</b>	6,783	L1	31.30	808	94.1	400	76.5	C	1, 48
	1500	D225M	<b>M22454-58</b>	6,685	L1	32.48	808	94.5	400	85.5	C	1, 48
55/75	3000	D250S	<b>M25552-58</b>	8,217	L1	36.30	1075	94.1	400	93.5	C	1, 48
	1500	D250M	<b>M25554-58</b>	8,132	L1	36.60	1200	93.6	400	94.5	C	1, 48
75/100	3000	D280S	<b>M28752-58</b>	10,466	L1	41.14	1449	94.6	400	131	C	1, 48
	1500	D250M	<b>M25754-58</b>	10,179	L1	36.30	1255	94.1	400	128	C	1, 48
90/125	3000	D280S	<b>M28902-58</b>	14,207	L1	41.26	1275	94.8	400	152	C	1, 48
	1500	D280M	<b>M28904-58</b>	13,976	L1	42.48	1455	95.4	400	158	C	1, 48
110/150	3000	D315S	<b>M31112-58</b>	16,851	L1	44.76	1428	95.1	400	194	C	1, 48
	1500	D315M	<b>M31114-58</b>	16,355	L1	45.94	1859	95.4	400	195	C	1, 48
132/177	3000	D315S	<b>M31132-58</b>	18,474	L1	44.76	2016	95.4	400	228	C	1, 48
	1500	D315M	<b>M31134-58</b>	18,216	L1	45.94	1859	95.5	400	235	C	1, 48

(a) See notes on inside back flap.

■ Cast Iron Frame

Farm Duty Motors

Definite Purpose Motors

Unit Handling Motors

Brake Motors

200 & 575 Volt Motors

IEC Frame Motors

50 Hertz Motors

Inverter/Vector Motors & Controls

DC Motors and Controls

Soft Starters & Dynamic Brakes

**Three Phase,  
60 Hz, TEFC (IP54),  
Foot Mounted**

0.18 thru 30 kW (.25 thru 40 Hp)

IEC D63 thru D200L

**Applications:** Pumps, fans, conveyors, machine tools, gear reducers and other applications requiring IEC metric B3 base mount replacements.



**Features:** IEC-B3 mount. Conforms to IEC 60072-1 and IEC 60034-1. Conduit box mounted F-2. Rigid Base. Pressure cast aluminum end plates with ribbed design for rigidity. Ball bearings with a locked drive end bearing, heavy-gauge steel frames and gasketed conduit box. Motors with shaded rows have cast iron frames and endplates.

kW/Hp	RPM	IEC Frame	Catalog Number	List Price	Mult. Sym.	"L" Dim. (in)	Aprx. Wt. (lb)	Full Load Efficiency	Voltage	Full Load Amps	EISA Status (a)	Notes (a)
.18/.25	1800	D63	MM3454	274	K	10.47	20	72	230/460	0.6	C	2, 30
	3600	D63	MM3457	255	K	10.47	20	72	230/460	0.6	C	2, 30
.25/.33	1800	D71	MM3458	302	K	10.43	20	74	230/460	0.7	C	2, 30
	3600	D71	MM3460	288	K	10.43	20	72	230/460	0.6	C	2, 30
.37/.50	1800	D71	MM3461	357	K	10.43	19	71	208-230/460	1.2	C	2
	3600	D71	MM3463	319	K	10.93	24	72	230/460	1.2	C	2, 30
.55/.75	1800	D80	MM3542	382	K	10.73	26	75.5	208-230/460	1.5	C	2
	3600	D80	MM3545	377	K	10.73	25	77	208-230/460	1.5	C	2
.75/1	1800	D80	MM3546	397	K	12.23	33	75.5	208-230/460	1.8	C	2
	3600	D80	MM3550	419	K	11.35	30	82.5	208-230/460	2.1	C	2
1.1/1.5	1800	D90S	EMM3554	676	L1	13.88	48	86.5	208-230/460	2.1	A	
	3600	D90S	EMM3555	646	L1	13.87	56	85.5	208-230/460	2.5	A	
1.5/2	1800	D90L	EMM3558	690	K	13.88	56	86.5	208-230/460	2.7	A	
	3600	D90L	EMM3559	776	L1	15.26	64	86.5	208-230/460	3.5	A	
2.2/3	1800	D100L	EMM3611	775	L1	15.76	65	89.5	208-230/460	4.1	A	
	3600	D100L	EMM3613	787	L1	15.76	73	88.5	208-230/460	5.6	A	
3.7/5	1800	D112M	EMM3615	841	L1	17.66	91	89.5	208-230/460	6.5	A	
	3600	D132S	EMM3709	1,187	L1	17.66	121	89.5	208-230/460	8.6	A	
5.5/7.5	1800	D132S	EMM3710	1,203	L1	18.91	127	91.7	208-230/460	9.4	A	
	3600	D132S	EMM3711	1,245	L1	18.91	139	90.2	208-230/460	11.5	A	
7.5/10	1800	D132M	EMM3714	1,361	L1	20.29	165	91.7	208-230/460	12	A	
	11/15	1800	D160M	EMM2333	1,958	L1	23.51	255	92.4	208-230/460	18.5	A
15/20	1800	D160L	EMM2334	2,377	L1	23.63	322	93	208-230/460	25	A	
18.5/25	1800	D180M	EMM4103	3,125	L1	27.48	422	93.6	208-230/460	31	A	
22/30	1800	D180L	EMM4104	3,689	L1	27.48	437	93.6	208-230/460	38	A	
30/40	1800	D200L	EMM4110	4,834	L1	29.35	570	94.1	208-230/460	48	A	

(a) See notes on inside back flap.

■ Cast Iron Frame

Farm Duty Motors

Definite Purpose Motors

Unit Handling Motors

Brake Motors

200 & 575 Volt Motors

IEC Frame Motors

50 Hertz Motors

Inverter/Vector Motors & Controls

DC Motors and Controls

Soft Start & Dynamic Brakes

**Three Phase,  
60 Hz, TEFC (IP54),  
B5 Flange**

**0.25 thru 7.5 kW (.33 thru 10 Hp) IEC D71D thru D132MD**

**Applications:** Pumps, fans, conveyors, machine tools, gear reducers and other applications requiring IEC metric B5 flange mount replacements.



**Features:** IEC-B5 flange mount. Conduit box mounted F-2. Conforms to IEC 60072-1 and IEC 60034-1. Pressure cast aluminum end plates with ribbed design for rigidity. Ball bearings with a locked drive end bearing, heavy-gauge steel frames and gasketed conduit box.

kW/HP	RPM	IEC Frame	Catalog Number	List Price	Mult. Sym.	"L" Dim. (in)	Aprx. Wt. (lb)	Full Load Efficiency	Voltage	Full Load Amps	EISA Status (a)	Notes (a)
.25/.33	3600	D71D	<b>MVM3457D</b>	393	K	10.74	20	72	230/460	0.6	C	30
	1800	D71D	<b>MVM3458D</b>	474	K	10.74	20	74	230/460	0.7	C	30
.37/.50	3600	D71D	<b>MVM3460D</b>	453	K	10.74	20	72	230/460	0.6	C	30
	1800	D71D	<b>MVM3461D</b>	477	K	10.74	20	71	230/460	1.2	C	1, 30
.55/.75	3600	D71D	<b>MVM3463D</b>	472	K	11.24	25	75.2	230/460	1.2	C	2, 30
	1800	D80D	<b>MVM3542D</b>	503	K	10.73	28	75.5	208-230/460	1.5	C	
.75/1	3600	D80D	<b>MVM3545D</b>	554	K	10.73	25	75.5	230/460	1.8	C	30
	1800	D80D	<b>MVM3546D</b>	575	K	12.23	33	75.5	208-230/460	1.8	C	
1.1/1.5	3600	D80D	<b>MVM3550D</b>	583	L1	11.61	37	75.5	208-230/460	2.3	C	
	1800	D90SD	<b>MVM3554D</b>	593	L1	12.01	41	84	208-230/460	2.5	B	
1.5/2	3600	D90LD	<b>MVM3555D</b>	635	L1	13.01	45	84	208-230/460	2.7	B	
	1800	D90LD	<b>MVM3558D</b>	615	L1	13.01	46	84	208-230/460	3.1	B	
2.2/3	3600	D90LD	<b>MVM3559D</b>	700	L1	13.01	52	85.5	208-230/460	3.8	B	1
	1800	D100LD	<b>MVM3611D</b>	755	L1	12.04	68	87.5	208-230/460	4.3	B	1
3.7/5	3600	D100LD	<b>MVM3613D</b>	865	L1	13.41	76	87.5	208-230/460	6	B	1
	1800	D112MD	<b>MVM3615D</b>	815	L1	13.41	81	87.5	208-230/460	6.6	B	1
5.5/7.5	3600	D132SD	<b>MVM3709D</b>	1,153	L1	19.35	121	88.5	208-230/460	9.4	B	1
	1800	D132SD	<b>MVM3710D</b>	1,028	L1	19.35	132	89.5	208-230/460	10.9	B	1
7.5/10	3600	D132SD	<b>MVM3711D</b>	1,367	L1	19.35	145	89.5	208-230/460	12	B	1
	1800	D132MD	<b>MVM3714D</b>	1,254	L1	20.48	152	89.5	208-230/460	13.5	B	2, 20

(a) See notes on inside back flap.

Farm Duty Motors

Definite Purpose Motors

Unit Handling Motors

Brake Motors

200 & 575 Volt Motors

IEC Frame Motors

50 Hertz Motors

Inverter/Vector Motors & Controls

DC Motors and Controls

Soft Starters & Dynamic Brakes

**BALDOR • RELIANCE**

**Three Phase,  
60 Hz, TEFC (IP54),  
B14 Face**

**0.25 thru 7.5 kW (.33 thru 10 Hp) IEC D71C thru D112MC**

**Applications:** Pumps, fans, conveyors, machine tools, gear reducers and other applications requiring IEC metric B14 face mounting replacements.



**Features:** IEC-B14 face mounting. Conduit box mounted F-2. Pressure cast aluminum end plates with ribbed design for rigidity. Ball bearings with a locked drive end bearing, heavy-gauge steel frames and gasketed conduit box.

kW/Hp	RPM	IEC Frame	Catalog Number	List Price	Mult. Sym.	"L" Dim. (in)	Aprx. Wt. (lb)	Full Load Efficiency	Voltage	Full Load Amps	EISA Status <sup>(a)</sup>	Notes <sup>(a)</sup>
.25/.33	1800	D71C	MVM3458C	416	K	10.74	22	74	230/460	0.7	C	30
	3600	D71C	MVM3460C	443	K	10.74	22	72	230/460	0.6	C	30
.37/.50	1800	D71C	MVM3461C	468	K	10.74	22	71	208-230/460	1.2	C	2
	3600	D71C	MVM3463C	461	K	11.24	26	75.5	230/460	1.4	C	30
.55/.75	1800	D80C	MVM3542C	491	K	11.11	25	75.5	208-230/460	1.5	C	
	3600	D80C	MVM3545C	545	K	11.11	24	75.5	230/460	1.8	C	2, 30
.75/1	1800	D80C	MVM3546C	562	K	12.61	32	75.5	208-230/460	1.8	C	
	3600	D80C	MVM3550C	568	L1	11.38	33	75.5	208-230/460	2.3	C	
1.1/1.5	1800	D90SC	MVM3554C	583	L1	12.01	40	84	208-230/460	2.5	B	
	3600	D90SC	MVM3555C	624	L1	13.75	45	84	208-230/460	2.7	B	
1.5/2	1800	D90LC	MVM3558C	598	L1	13.75	48	84	208-230/460	3.1	B	
	3600	D90LC	MVM3559C	684	L1	13.75	53	85.5	208-230/460	3.8	B	1
2.2/3	1800	D100LC	MVM3611C	741	L1	14.52	61	87.5	208-230/460	4.3	B	1
	3600	D100LC	MVM3613C	851	L1	15.89	69	87.5	208-230/460	6	B	1
3.7/5	1800	D112MC	MVM3615C	799	L1	15.89	76	87.5	208-230/460	6.6	B	1

<sup>(a)</sup> See notes on inside back flap.

Farm Duty Motors

Definite Purpose Motors

Unit Handling Motors

Brake Motors

200 & 575 Volt Motors

IEC Frame Motors

50 Hertz Motors

Inverter/Vector Motors & Controls

DC Motors and Controls

Soft Start & Dynamic Brakes

**SSE Stainless,  
Three Phase,  
Totally Enclosed,  
B14 Face, B5 Flange,  
50 Hz, Encapsulated**

**0.37 thru 1.5 kW**

**IEC D80D thru D90C**

**Applications:** Food processing, packaging, outdoor and highly corrosive environments.

**Features:** Class H insulated motor with 1.15 service factor or higher. All external surfaces 300 series stainless steel: motor frame, endplates, conduit box, shaft and base. Moisture resistant insulation system. Endplate rabbets have O-ring seals to band. Conduit box is welded to the motor frame. Patented bearing seal to protect motor bearings, inside and out. Epoxy encapsulation prevents any moisture from reaching the windings as well as potting the passage between the band and the conduit box. Nameplate information is laser etched on the band. Catalog numbers also etched on both sides. Especially effective in highly corrosive environments where paint or other finishes do not hold up. NEMA Premium® efficiency and 3-year warranty.



kW/HP	RPM	IEC Frame	Encl.	Catalog Number	List Price	Mult. Sym.	"C" Dim.	Aprx. Wt. (lb)	Full Load Efficiency	Voltage	Full Load Amps	EISA Status (a)	Notes (a)
<b>B14, C-Face, Foot Mounted</b>													
1.1/1.5	1500	D90C	TEFC	<a href="#">CSSEWDM90114C-57</a>	1,555	WD	14.36	24	88.5	240/380-415	2.5	C	50, 51
1.5/2	1500	D90C	TEFC	<a href="#">CSSEWDM90154C-57</a>	1,883	WD	15.74	25	88.5	240/380-415	3.2	C	50, 51
<b>B5, Flange, Footless</b>													
.37/.5	1500	D80D	TENV	<a href="#">VSSEWDM80044D-57</a>	1,386	WD	12.37	46	80	240/380-415	0.8	C	50, 51, 60
.55/.75	1500	D80D	TENV	<a href="#">VSSEWDM80064D-57</a>	1,435	WD	13.37	60	81.5	240/380-415	1.2	C	50, 51, 60
.75/1	1500	D80D	TENV	<a href="#">VSSEWDM80084D-57</a>	1,515	WD	13.37	60	75.5	240/380-415	1.9	C	50, 51, 60
1.1/1.5	1500	D90C	TEFC	<a href="#">VSSEWDM90114C-57</a>	1,531	WD	14.36	24	88.5	240/380-415	2.5	C	50, 51
		D90D	TEFC	<a href="#">VSSEWDM90114D-57</a>	1,528	WD	15.82	69	85.9	240/380-415	2.3	C	50, 51
1.5/2	1500	D90C	TEFC	<a href="#">VSSEWDM90154C-57</a>	1,860	WD	15.74	25	88.5	240/380-415	2.7	C	50, 51
		D90D	TEFC	<a href="#">VSSEWDM90154D-57</a>	1,856	WD	17.20	73	87	240/380-415	3.1	C	50, 51

(a) See notes on inside back flap.

Farm Duty Motors

Definite Purpose Motors

Unit Handling Motors

Brake Motors

200 & 575 Volt Motors

IEC Frame Motors

50 Hertz Motors

Inverter/Vector Motors & Controls

DC Motors and Controls

Soft Starters & Dynamic Brakes

**Three Phase,  
50 Hz, TEFC (IP54),  
B3, B5, B14  
Mounting**

**0.56 thru 15 kW (.75 thru 20 Hp)**

**IEC D80 thru D160L**

**Applications:** Pumps, fans, conveyors, machine tools, gear reducers and other applications requiring IEC metric motor replacements.

**Features:** CE certified. Conforms to IEC 60072-1 and IEC 60034-1. Includes terminal blocks.



kW/Hp	RPM	IEC Frame	Catalog Number	List Price	Mult. Sym.	"C" Dim.	Aprx. Wt. (lb)	Full Load Efficiency	Voltage	Full Load Amps	EISA Status <sup>(a)</sup>	Notes <sup>(a)</sup>
<b>B3, Foot Mounted</b>												
.75/1	1500	D80	<b>MM3546-50</b>	438	K	12.73	36	74	230/400	2	C	2, 6, 20
1.5/2	1500	D90L	<b>MM3558-50</b>	524	K	13.87	47	80	230/400	3.2	C	2, 6, 20
2.2/3	1500	D100L	<b>MM3611-50</b>	628	L1	16.20	66	81.5	230/400	4.7	C	2, 6, 20
3.7/5	1500	D112M	<b>MM3615-50</b>	712	L1	17.67	89	84	230/400	7.8	C	2, 6, 20
5.5/7.5	1500	D132S	<b>MM3710-50</b>	904	L1	17.66	115	87.5	400	11.7	C	2, 11, 20, 25
7.5/10	1500	D132M	<b>MM3714-50</b>	1,101	L1	18.79	146	86.5	400	15.7	C	2, 11, 20, 25
11/15	1500	D160M	<b>MM2333-50</b>	1,764	L1	21.41	235	86.5	400	23.7	C	2, 6, 20, 25
15/20	1500	D160L	<b>MM2334-50</b>	2,136	L1	23.51	285	89.5	400	29	C	2, 6, 20, 25
<b>B5, Flange Mounted</b>												
.55/.75	1500	D80D	<b>MVM3542D-50</b>	554	K	11.35	30	76	230/400	1.7	C	
1.5/2	1500	D90LD	<b>MVM3558D-50</b>	677	L1	13.89	53	80	230/400	3.2	C	2, 20
2.2/3	1500	D100LD	<b>MVM3611D-50</b>	832	L1	13.41	75	81.5	230/400	4.7	C	2, 20
3.7/5	1500	D112MD	<b>MVM3615D-50</b>	898	L1	14.91	95	84	230/400	8.1	C	2, 20
5.5/7.5	1500	D132SD	<b>MVM3710D-50</b>	1,132	L1	18.17	129	87.5	400	11.7	C	2, 20, 25
7.5/10	1500	D132MD	<b>MVM3714D-50</b>	1,378	L1	20.52	169	86.5	400	15.7	C	2, 20, 25
11/15	1500	D160MD	<b>MVM2333D-50</b>	1,645	L1	25.36	236	90.2	400	22	C	2, 20, 25
15/20	1500	D160LD	<b>MVM2334D-50</b>	2,026	L1	25.48	319	89.5	400	29	C	2, 20, 25
<b>B14, Flange Mounted</b>												
1.5/2	1500	D90LC	<b>MVM3558C-50</b>	660	L1	14.66	54	80	230/400	3.2	C	2, 20
2.2/3	1500	D100LC	<b>MVM3611C-50</b>	815	L1	15.89	71	81.5	230/400	4.7	C	2, 20
3.7/5	1500	D112MC	<b>MVM3615C-50</b>	880	L1	17.39	93	84	230/400	7.8	C	2, 20
5.5/7.5	1500	D132SC	<b>MVM3710C-50</b>	1,115	L1	21.85	134	87.5	400	11.7	C	2, 20
7.5/10	1500	D132MC	<b>MVM3714C-50</b>	1,363	L1	22.97	166	86.5	400	15.7	C	2, 20, 25

<sup>(a)</sup> See notes on inside back flap.

Custom IEC frame motors are available through 1,680 kW (2,250 Hp) in TEFC enclosures and 11,200 kW (15,000 Hp) in ODP/WPII enclosures. Contact your local Baldor•Reliance Sales Representative.

■ Cast Iron Frame

Farm Duty Motors

Definite Purpose Motors

Unit Handling Motors

Brake Motors

200 & 575 Volt Motors

IEC Frame Motors

50 Hertz Motors

Inverter/Vector Motors & Controls

DC Motors and Controls

Soft Start & Dynamic Brakes



**Single Phase,  
NEMA Frame,  
TEFC and ODP,  
Foot Mounted**

**1/3 thru 5 Hp**

**NEMA 48 thru 213T**

**Applications:** Applications where only 50 hertz power is available. Motors are designed to be used at rated voltages with tolerance of ± 15% on voltage.

**Features:** CE certified. Windings tied each end at every slot for rigidity. Ball bearings, high temperature insulation, copper windings.



Hp	RPM 50 Hz.	NEMA Frame	Catalog Number	List Price	Mult. Sym.	"C" Dim.	Aprx. Wt. (lb)	Full Load Efficiency	Voltage	Full Load Amps	EISA Status (a)	Notes (a)
<b>Totally Enclosed Fan Cooled, IP54</b>												
1/3	1500	56	<b>L3501-50</b>	368	K	11.35	25	59	110/220	3.2	C	1
	3000	56	<b>L3503-50</b>	360	K	11.35	27	68	110/220	3.3	C	
1/2	1500	48	<b>L3409-50</b>	419	K	12.23	32	62	110/220	3.6	C	
		56	<b>L3504-50</b>	419	K	12.85	33	62	110/220	3.6	C	
3/4	3000	56	<b>L3506-50</b>	402	K	12.23	35	62	110/220	4.6	C	
	1500	56	<b>L3507-50</b>	498	K	13.25	38	66	110/220	5	C	
1	3000	56	<b>L3509-50</b>	468	K	13.23	41	68	110/220	6.3	C	
	1500	56	<b>L3510-50</b>	573	K	14.12	46	68	110/220	6.2	C	
1 1/2	3000	56	<b>L3513-50</b>	616	K	14.11	46	68	110/220	9	C	1
	1500	56	<b>L3514-50</b>	647	K	14.13	50	73	110/220	8	C	
		145T	<b>L3514T-50</b>	647	L1	14.18	50	73	110/220	8	C	
2	3000	56	<b>L3515-50</b>	801	K	14.13	52	77	110/220	9.7	C	1
	1500	182T	<b>L3605T-50</b>	916	L1	16.56	78	81	110/220	10	C	
3	1500	184T	<b>L3609T-50</b>	1,078	L1	18.06	92	84.5	110/220	12.5	C	2
5	1500	213T	<b>L3708T-50</b>	1,289	L1	17.89	132	84	220	22	C	2
<b>Open Drip Proof, IP22</b>												
1/3	3000	48	<b>L1205-50</b>	272	K	9.13	22	64.9	110/220	2.6	C	
	1500	48	<b>L1206-50</b>	331	K	9.38	24	62	110/220	2.3	C	
1/2	3000	48	<b>L1208-50</b>	299	K	9.75	26	68	110/220	3.3	C	
	1500	48	<b>L1209-50</b>	416	K	10.63	28	62	110/220	3.7	C	
3/4		3000	56	<b>L1304-50</b>	377	K	11.01	29	62	110/220	3.7	C
	1500	56	<b>L1306-50</b>	365	K	11.01	29	64	110/220	5.3	C	
1	3000	56	<b>L1307-50</b>	466	K	12.07	38	66	110/220	5	C	
	1500	56	<b>L1309-50</b>	384	K	11.51	35	66	110/220	6	C	
1 1/2	3000	56	<b>L1318-50</b>	568	K	12.07	39	68	110/220	6.5	C	2
		56	<b>L1313-50</b>	539	K	12.07	44	68	110/220	9.2	C	
	1500	56	<b>L1319-50</b>	656	K	12.07	41	68	110/220	11.5	C	2
2	3000	56	<b>L1317-50</b>	718	K	12.94	48	70	110/220	12	C	2
	1500	182T	<b>L1405T-50</b>	762	L1	15.00	65	69	110/220	14	C	2
3	1500	184T	<b>L1408T-50</b>	823	L1	16.50	89	75.5	110/220	16	C	
5	1500	213T	<b>L1508T-50</b>	1,289	L1	16.32	113	82.5	220	21.6	C	2

(a) See notes on inside back flap.

IP22 = Open Drip Proof, IP54 = Totally Enclosed Fan Cooled.  
For IEC Frame 50 Hz single phase motors, contact Baldor.

**ALL MOTORS LISTED ABOVE ARE SPECIFICALLY DESIGNED FOR OPERATION WITH 50 HZ. POWER. THREE PHASE, 50 HZ. MOTORS SHOWN IN THIS CATALOG ARE SUITABLE FOR USE ON 400 VOLT OR 415 VOLT 50 HZ. POWER SUPPLIES.**

Farm Duty  
Motors

Definite Purpose  
Motors

Unit Handling  
Motors

Brake Motors

200 & 575 Volt  
Motors

IEC Frame  
Motors

50 Hertz  
Motors

Inverter/Vector  
Motors & Controls

DC Motors  
and Controls

Soft Starters &  
Dynamic Brakes

**Three Phase,  
NEMA Frame,  
TEFC and ODP,  
Foot Mounted**

1/2 thru 60 Hp

NEMA 56 thru 364T

**Applications:** Applications where only 50 hertz power is available. Motors are designed to be used at rated voltages with tolerance of ± 15% on voltage.

**Features:** CE certified. Windings tied each end at every slot for rigidity. Ball bearings, high temperature insulation, copper windings.



Farm Duty  
Motors

Definite Purpose  
Motors

Unit Handling  
Motors

Brake Motors

200 & 575 Volt  
Motors

IEC Frame  
Motors

50 Hertz  
Motors

Inverter/Vector  
Motors & Controls

DC Motors  
and Controls

Soft Start & Dynamic  
Brakes

Hp	RPM 50 Hz.	NEMA Frame	Catalog Number	List Price	Mult. Sym.	"C" Dim.	Aprx. Wt. (lb)	Full Load Efficiency	Voltage	Full Load Amps	EISA Status (a)	Notes (a)
<b>Totally Enclosed Fan Cooled, IP54</b>												
1/2	1500	56	M3538-50	393	K	11.35	25	74	220/380/440	1	C	
3/4	3000	56	M3541-50	393	K	11.35	22	72	220/380/440	1.4	C	
	1500	56	M3542-50	420	K	12.85	32	75.5	220/380/440	1.4	C	
1	3000	56	M3545-50	478	K	11.35	27	80	220/380/440	1.7	C	
	1500	143T	M3546T-50	489	L1	12.31	32	80	220/380/440	1.6	C	2
1 1/2	3000	143T	M3550T-50	555	L1	12.31	36	81.5	220/380/440	2.2	C	
	1500	145T	M3554T-50	498	L1	13.31	39	81.5	220/380/440	2.2	C	1
2	3000	145T	M3555T-50	610	L1	13.31	42	80	220/380/440	2.8	C	2
	1500	145T	M3558T-50	525	L1	14.19	48	81.5	220/380/440	3	C	1
3	3000	182T	M3610T-50	777	L1	15.14	57	81.5	220/380/440	4.2	C	1
	1500	182T	M3611T-50	617	L1	16.54	68	84	220/380/440	3.9	C	2, 20
5	3000	184T	M3613T-50	894	L1	16.54	74	85	220/380/440	6.5	C	2
	1500	184T	M3615T-50	712	L1	18.04	89	84	220/380/440	7.4	C	2, 20
7 1/2	3000	213T	M3709T-50	1,316	L1	17.89	116	86.5	220/380/440	9.8	C	1
	1500	213T	M3710T-50	905	L1	17.89	114	87.5	220/380/440	10.2	C	2, 20
10	3000	215T	M3711T-50	1,378	L1	17.89	126	85.5	220/380/440	12.5	C	1
	1500	215T	M3714T-50	1,101	L1	19.01	140	91	220/380/440	14.2	C	2, 20
15	1500	254T	M2333T-50	1,933	L1	21.07	236	89.5	220/380/440	20.5	C	2, 20
20	1500	256T	M2334T-50	2,333	L1	23.35	277	90.2	220/380/440	25	C	1
25	1500	284T	M4103T-50	3,284	L1	26.08	315	91.7	220/380/440	31	C	1
30	1500	286T	M4104T-50	3,882	L1	27.76	416	90.2	220/380/440	40	C	1
40	1500	324T	M4110T-50	5,078	L1	30.28	586	91.7	220/380/440	49	C	1
50	1500	326T	M4115T-50	5,513	L1	30.28	637	92.4	220/380/440	61	C	1
60	1500	364T	M4314T-50	7,168	L1	32.84	809	92.4	220/380/440	75	C	1
<b>Open Drip Proof, IP22</b>												
1/2	1500	56	M3108-50	346	K	10.12	25	74	220/380/440	1	C	
3/4	1500	56	M3112-50	385	K	10.12	26	72	220/380/440	1.8	C	
1	1500	56	M3116-50	435	K	11.07	27	74	220/380/440	1.8	C	
		143T	M3116T-50	438	L1	11.12	31	81.5	220/380/440	1.6	C	2
1 1/2	1500	145T	M3154T-50	465	L1	11.12	34	74	220/380/440	2.7	C	
2	1500	145T	M3157T-50	478	L1	12.13	41	77	220/380/440	3.3	C	2, 20
3	1500	182T	M3211T-50	547	L1	13.62	55	78.5	220/380/440	4.6	C	
5	1500	184T	M3218T-50	605	L1	16.50	80	84	220/380/440	7.2	C	1
7 1/2	1500	213T	M3311T-50	857	L1	16.32	109	85.5	220/380/440	11.4	C	
10	1500	215T	M3313T-50	1,048	L1	16.32	122	87	220/380/440	14.1	C	2
15	1500	254T	M2513T-50	1,584	L1	20.51	192	88.5	220/380/440	21	C	2, 34
20	1500	256T	M2515T-50	2,040	L1	21.69	213	88.5	220/380/440	27	C	34

(a) See notes on inside back flap.

IP22 = Open Drip Proof, IP54 = Totally Enclosed Fan Cooled.

**ALL MOTORS LISTED ABOVE ARE SPECIFICALLY DESIGNED FOR OPERATION WITH 50 HZ. POWER. THREE PHASE, 50 HZ. MOTORS SHOWN IN THIS CATALOG ARE SUITABLE FOR USE ON 400 VOLT OR 415 VOLT 50 HZ. POWER SUPPLIES.**

■ Cast Iron Frame

**Single and Three Phase, NEMA Frame, TEFC, C-Face, Footless**

**1/4 thru 2 Hp**

**NEMA 56C thru 145TC**

**Applications:** Pumps, fans, gear reducers, conveyors and many other applications with 50 Hz power supply. Motors are designed to be used at rated voltages with tolerance of ± 15% on voltage.

**Features:** CE certified. Heavy gauge steel frame construction, pressure-cast aluminum endplates with machined steel bearing inserts for extended bearing life.



Hp	RPM 50 Hz.	NEMA Frame	Catalog Number	List Price	Mult. Sym.	"C" Dim.	Aprx. Wt. (lb)	Full Load Efficiency	Voltage	Full Load Amps	EISA Status (a)	Notes (a)
<b>Single Phase, IP54</b>												
1/3	1500	56C	VL3501-50	404	K	11.35	24	59	110/220	3.2	C	1
1/2	3000	56C	VL3503-50	366	K	11.35	25	68	110/220	3.3	C	
	1500	56C	VL3504-50	469	K	12.85	32	62	110/220	3.6	C	
3/4	3000	56C	VL3506-50	423	K	12.25	35	62	110/220	4.6	C	
	1500	56C	VL3507-50	555	K	13.25	39	66	110/220	5	C	
1	3000	56C	VL3509-50	497	K	13.25	40	68	110/220	6.3	C	
	1500	56C	VL3510-50	635	K	14.12	44	68	110/220	6.2	C	
1 1/2	3000	56C	VL3513-50	640	K	14.12	50	68	110/220	9	C	1
	1500	56C	VL3514-50	718	K	14.12	50	73	110/220	8	C	
2	3000	56C	VL3515-50	812	K	14.12	52	77	110/220	9.7	C	1
<b>Three Phase, IP54</b>												
1/4	1500	56C	KM3454-50	318	K	11.35	19	63	220/380/440	0.7	C	
1/3	1500	56C	VM3534-50	359	K	11.35	20	67	220/380/440	0.7	C	
1/2	3000	56C	VM3537-50	390	K	11.35	23	75.5	220/380/440	1	C	
	1500	56C	VM3538-50	420	K	11.35	25	74	220/380/440	1	C	
3/4	3000	56C	VM3541-50	407	K	11.35	22	72	220/380/440	1.4	C	
	1500	56C	VM3542-50	451	K	12.85	32	75.5	220/380/440	1.4	C	
1	3000	56C	VM3545-50	483	K	11.35	26	80	220/380/440	1.7	C	
		56C	VM3546-50	478	K	12.23	37	78.5	220/380/440	1.7	C	
	143TC	VM3546T-50	478	L1	12.31	35	78.5	220/380/440	1.7	C		
1 1/2	3000	143TC	VM3550T-50	525	L1	12.31	36	81.5	220/380/440	2.2	C	
	1500	145TC	VM3554T-50	497	L1	13.31	39	81.5	220/380/440	2.2	C	1
2	3000	56C	VM3555-50	522	K	12.85	33	78	220/380/440	2.8	C	
		145TC	VM3555T-50	574	L1	13.31	41	80	220/380/440	2.8	C	
	145TC	VM3558T-50	527	L1	14.19	46	81.5	220/380/440	3	C	1	

(a) See notes on inside back flap.

IP54 = Totally Enclosed Fan Cooled.

**ALL MOTORS LISTED ABOVE ARE SPECIFICALLY DESIGNED FOR OPERATION WITH 50 HZ. POWER. THREE PHASE, 50 HZ. MOTORS SHOWN IN THIS CATALOG ARE SUITABLE FOR USE ON 400 VOLT OR 415 VOLT 50 HZ. POWER SUPPLIES.**

Farm Duty Motors

Definite Purpose Motors

Unit Handling Motors

Brake Motors

200 & 575 Volt Motors

IEC Frame Motors

50 Hertz Motors

Inverter/Vector Motors & Controls

DC Motors and Controls

Soft Starters & Dynamic Brakes

**Single and Three Phase, NEMA Frame, Explosion Proof, C-Face, Foot Mounted**

1/3 thru 2 Hp

NEMA 56C thru 182TC

**Applications:** Pumps, blowers, valves.

**Features:** Corrosion resistant epoxy finish. Positively locked drive end bearing. UL approved cast conduit box, standard. 1.00 Service Factor. UL and CSA approved for Class I, Group D or Class II, Group F & G. Rated for ±15% voltage variation.



Farm Duty Motors

Definite Purpose Motors

Unit Handling Motors

Brake Motors

200 & 575 Volt Motors

IEC Frame Motors

50 Hertz Motors

Inverter/Vector Motors & Controls

DC Motors and Controls

Soft Start & Dynamic Brakes

Hp	RPM 50 Hz.	NEMA Frame	Catalog Number	XP <sup>(a)</sup> Cls/Grp	List Price	Mult. Sym.	"C" Dim.	Aprx. Wt. (lb)	Full Load Efficiency	Voltage	Full Load Amps	EISA Status <sup>(a)</sup>	Notes <sup>(a)</sup>
<b>Single Phase, IP54</b>													
1/3	1500	56C	CL5001A-50	Ⓟ	803	K	14.22	35	59.5	110/220	2.6	C	2
1/2	1500	56C	CL5004A-50	Ⓟ	804	K	15.22	43	62	110/220	3.6	C	2
3/4	1500	56C	CL5007A-50	Ⓟ	935	K	15.17	52	70	110/220	4.8	C	2
1	1500	56C	CL5023-50	Ⓟ	989	K	16.05	54	68	110/220	6.2	C	2
2	1500	182TC	CL5027T-50	Ⓟ	2,191	L1	20.36	113	77	110/220	11.5	C	2
<b>Three Phase, IP54</b>													
1/2	1500	56C	CM7006-50	Ⓟ	876	K	14.22	37	74	220/380/440	1	C	
3/4	1500	56C	CM7010-50	Ⓟ	896	K	15.22	43	75.5	220/380/440	1.4	C	
1	3000	56C	CM7013-50	Ⓟ	906	K	14.22	36	80	220/380/440	1.7	C	
	1500	56C	CM7014-50	Ⓟ	958	K	15.22	45	74	220/380/440	1.8	C	
1 1/2	3000	143TC	CM7018T-50	Ⓟ	1,030	L1	14.36	46	81.5	220/380/440	2.2	C	
	1500	143TC	CM7034T-50	Ⓟ	1,056	L1	15.23	48	81.5	220/380/440	2.2	C	
2	3000	145TC	CM7071T-50	Ⓟ	1,066	L1	15.23	52	80	220/380/440	2.8	C	2
	1500	145TC	CM7037T-50	Ⓟ	1,140	L1	16.10	57	81.5	220/380/440	3	C	

<sup>(a)</sup> See notes on inside back flap.

**THESE EXPLOSION PROOF MOTORS ARE NOT SUITABLE FOR USE WITH ADJUSTABLE SPEED DRIVES. INVERTER DUTY EXPLOSION PROOF MOTORS MUST BE USED. SEE PAGE 232.**

**CAUTION:** Explosion-proof motors have a tight fit between mating parts to ensure the integrity of the explosion-proof enclosure. This can lead to an accumulation of moisture inside the motors due to condensation. Care should be used when selecting an explosion-proof motor, especially when installed outdoors and on intermittent duty.

## AC Motor Adjustable Speed Range Capabilities

### Inverter Drive, Vector Drive, V\*S Master and RPMAC Motors

Inverter Drive, Vector Drive, V\*S Master and RPMAC Motors exceed all requirements of NEMA MG-1 Parts 30 and 31 for AC induction motors powered from adjustable speed inverter control. Satisfactory motor performance depends on proper drive setup.

### Super-E® Motors

Super-E motors are Inverter-Ready and meet NEMA MG 1 Part 31.4.4.2. Super-E motors are suitable for use with inverter drives. Motor inverter setup is unique to each specific application. Proper setup and wiring procedures must be closely followed.

### Application Considerations

It is necessary that motor-drive applications are commissioned by persons familiar with the operation and setup of adjustable speed drives, applicable electrical codes and any other regulations.

Each drive must be tuned to the motor for the specific application. System operating parameters must be checked, including voltage at motor power leads, to insure that motor/drive setup has been successfully completed.

Applications that are not properly setup can lead to substandard performance and failure of system components. In some installations, shaft grounding and isolated bearings may prevent bearing fluting and are available as an option or through Mod Express.

Reference the chart below for constant torque and variable torque capabilities for each product family. Torque performance depends upon proper drive setup. Motors 48 body style and smaller are suitable for maximum 230V inverter operation.

### Efficiency Savings

Significant energy savings can be achieved when applying Inverter Ready motors such as the Baldor Super-E to centrifugal load applications (fan and centrifugal pump) and running at reduced speed taking advantage of the affinity laws.

Motor load and corresponding energy consumption is reduced by the cube of the speed.



Family	Enclosure	Frame Size	Constant Torque	Variable Torque	Comments
<b>Super E Motors 230, 460 and 575 Volts</b>					
EM	TEFC	56-210(1)	20:1	20:1	General Purpose Premium Efficient
		250-320	10:1	20:1	
		360-445	4:1(2)	20:1	
		447-449	2:1(2)	20:1	
EM	ODP	56-210(1)	10:1	20:1	General Purpose Premium Efficient
		250-320	5:1	20:1	
		360 - 449	2:1	20:1	
ECP/EX and ECP8/841XL (4)	TEFC	140	20:1	20:1	Severe Duty Premium Efficient
		180-210	10:1	10:1	
		250-449	4:1(2)	10:1	
EWDM	TENV,TEFC	56-256(1)	20:1	20:1	Washdown Duty Premium Efficient
SSS/ESS/SSE	TEFC	56-250	2:1	10:1	Stainless Steel Washdown Duty
	TENV	56-140	4:1	10:1	
<b>Inverter Duty and Vector Duty Motors 230, 460 and 575 Volts</b>					
IDCSWDM	TENV	56-140	5:1	10:1	Inverter Duty, Paint Free
IDCSWDM	TEFC	56-215	3:1	10:1	Inverter Duty, Paint Free
IDM	TEBC	143-5009	1000:1	1000:1	Inverter Duty, Blower Cooled
IDNM	TENV	143-256	1000:1	1000:1	Inverter Duty, Totally Enclosed Non-Ventilated
ZDM	TEBC	143-5009	1000:1	1000:1	Vector Duty, Blower Cooled
ZDNM	TENV	143-256	1000:1	1000:1	Vector Duty, Non-Ventilated
IDXM	TEXP	182-405	2:1	10:1	Inverter Duty, Explosion Proof
(2 families)		56-405	10:1	10:1	
IDWNM	TENV	143-254	1000:1	1000:1	Inverter Duty, Washdown, Non-Ventilated
ZDWNM	TENV	143-254	1000:1	1000:1	Vector Duty, Washdown, Non-Ventilated
<b>V*S Master Motors 230 &amp; 460 Volts</b>					
IDNVSM	TENV	56-256	1000:1	1000:1	Inverter Duty, TENV, V*S Master
IDVSM	TEFC	182-449	1000:1	1000:1	Inverter Duty, TEFC, V*S Master
ZDNVSM	TENV	56-256	1000:1	1000:1	Vector Duty, TENV, V*S Master
ZDVSM	TEFC	182-449	1000:1	1000:1	Vector Duty, TEFC, V*S Master
ZDVSCP	TEFC-XT	143-326	1000:1	1000:1	Vector Duty, TEFC-XT, V*S Master
<b>RPMAC Motors 230 &amp; 460</b>					
IDRPMN	TENV	FL180-FL210	1000:1	1000:1	Inverter Duty, TENV, RPMAC
IDRPMN	TEFC, TEBC, DPG-FV	FL180-FL440	1000:1	1000:1	Inverter Duty, TEFC, TEBC, DPG-FV, RPMAC
ZDNRPM	TENV	FL180-FL210	1000:1	1000:1	Vector Duty, TENV, RPMAC
ZDRPM	TEFC, TEBC	FL180-L400	1000:1	1000:1	Vector Duty, TEFC & TEBC, RPMAC
ZDPM	TEBC	FL180 - FL440	1000:1	1000:1	Vector Duty, TEBC, PM, RPMAC

(1) Baldor type 35M frames and larger

(2) CT, 10:1 available most ratings with fan change thru Mod Express

(3) CT, 2:1 available with fan change thru Mod Express. Specific ratings may be capable of greater CT range

(4) May not meet IEEE-841 temperature rise limits when applied to adjustable frequency power

Farm Duty Motors

Definite Purpose Motors

Unit Handling Motors

Brake Motors

200 & 575 Volt Motors

IEC Frame Motors

50 Hertz Motors

Inverter/Vector Motors & Controls

DC Motors and Controls

Soft Starters & Dynamic Brakes

**RPM AC,  
Salient Pole  
PM Rotor,  
Three Phase,  
TEBC**

**10 thru 150 Hp**

**FL1831C thru FL2890**

**Applications:** Extruders, conveyors, crane & hoist systems, converting, pumps, web processing, test stands, traction duty, winders, printing.

**Features:** Above premium efficient design utilizing salient pole PM rotor technology to achieve high efficiency, low FLA and optimized power factor. Synchronous speed performance in a compact square frame design FL180 aluminum and FL210-280 laminated steel frame design. Must be applied with drive from page 217-218 specifically designed for permanent magnet rotor performance. Speed feedback and rotor positioning provided via Tamagawa resolver (800123-5A). Continuous constant torque from base speed down to zero speed 1000:1 turn down. Premium class H insulation 40 C ambient, 1.0 S.F., ball bearings, three normally closed thermostats (one per phase). Surpasses the requirements of MG1, Part 31. Exclusive optimum pole Inverter Duty - not for across the line operation.



Hp	RPM	NEMA Frame	Catalog Number	List Price	Mult. Sym.	"C" Dim.	Aprx. Wt. (lb)	Full Load Efficiency <sup>(a)</sup>	Voltage	Full Load Amps <sup>(b)</sup>	Rotor Inertia lb-ft <sup>2</sup>	EISA Status <sup>(a)</sup>	Notes <sup>(a)</sup>
10	1800	FL1831C	ZDPM18010C-BV	5,395	E2	27.50	185	94	230/460	11.2	0.46	C	8, 77, 91
15	1800	FL1838C	ZDPM18015C-BV	5,452	E2	29.00	143	94.6	460	16.2	0.63	C	8, 77, 92
20	1800	FL1844C	ZDPM18020C-BV	5,859	E2	30.50	180	94.7	460	22.5	0.77	C	8, 77, 92
25	1800	FL1852C	ZDPM18025C-BV	6,580	E2	32.50	209	95.1	460	26.7	0.96	C	8, 77, 92
30	1800	FL1852C	ZDPM18030C-BV	6,580	E2	32.50	209	94.7	460	32.6	0.96	C	8, 77, 92
40	1800	FL2162	ZDPM21040-BV	6,880	E2	33.50	290	94.5	460	44.7	2.14	C	8, 77, 93
50	1800	FL2168	ZDPM21050-BV	7,117	E2	35.00	330	94.8	460	54.8	2.60	C	8, 77, 93
60	1800	FL2173	ZDPM21060-BV	7,768	E2	36.00	355	94.8	460	66.8	2.99	C	8, 77, 93
75	1800	FL2578	ZDPM25075-BV	12,575	E2	38.50	540	95.8	460	82.3	4.90	C	8, 77, 93
100	1800	FL2586	ZDPM25100-BV	13,306	E2	40.50	605	96.8	460	110.4	5.83	C	8, 77, 93
125	1800	FL2882	ZDPM28125-BV	14,038	E2	43.61	730	95.9	460	136.9	9.43	C	8, 77, 93
150	1800	FL2890	ZDPM28150-BV	14,771	E2	45.61	805	96	460	163.4	11.16	C	8, 77, 93

<sup>(a)</sup> See notes on inside back flap.

<sup>(b)</sup> The data - including efficiency - is for fundamental sinewave components of amps and volts and does not include losses due to inverter pwm waveshapes.

All TEBC have integral blower rated 230/460 volts 3 phase.  
See VS1PM Drives on next page for matched performance drive.

Farm Duty Motors

Definite Purpose Motors

Unit Handling Motors

Brake Motors

200 & 575 Volt Motors

IEC Frame Motors

50 Hertz Motors

Inverter/Vector Motors & Controls

DC Motors and Controls

Soft Start & Dynamic Brakes



**VS1PM Permanent Magnet Drive**

**10 Hp  
10 thru 200 Hp**

**230 VAC  
460 VAC**

**3 Phase - 50/60 Hz  
3 Phase - 50/60 Hz**



**Applications:** Constant or Variable Torque Applications. New installations and original equipment manufactures (OEM).

**Features:** Exclusively for use with our RPMAC Interior Permanent Magnet Motors. Very high efficiency motor/drive packages. NEMA 1 Enclosures. Output frequency 0 to 66 Hz with peak overload capacity of 175%. Built-in two and three input PID process control loop. Automatically tuned to Baldor RPMAC Interior PM Motors. Uses same Graphic Keypad and Expansion Boards as the VS1SP/GV Families.

<b>Output Ratings</b>	Horsepower	10 HP @ 230VAC, 3PH; 10-200 HP @ 460VAC, 3PH
	Overload Capacity	Heavy Duty (Constant Torque) = 150% for 60 seconds, 175% for 3 seconds Normal Duty (Variable Torque) = 115% for 60 seconds
	Frequency	0-66 Hz
<b>Input Ratings</b>	Voltage	0-Maximum input voltage (RMS)
	Frequency	50 or 60 Hz ±5%
	Voltage	230 = 180-234 & 460 = 340-528
<b>Control Spec</b>	Phase	Three Phase (single phase with derating)
	Impedance	1% minimum from mains connection
	Control Method	Microprocessor controlled PWM, selectable closed loop vector
	PWM Frequency	Adjustable 4-5 kHz STD, 5-16 kHz quiet
	Speed Setting	±5 VDC, 0-5 VDC ±10 VDC, 0-10 VDC, 4-20 mA or 0-20 mA; digital (keypad), Serial Comms/USB 2.0, and Modbus RTU
	Accel/Decel	0-3600 sec
	Brake Torque	20% standard on Sizes AA and B, 1% standard on Size C, D, E requires external resistor
	Motor Matching	Automatic tuning to motor with manual override
	PC Setup Software	Mint WorkBench Software available using the USB 2.0 port for commissioning wizard, firmware download, parameter viewer scope capture and cloning,
	Maximum Output Frequency	66 Hz
<b>Motor Feedback Protective Functions</b>	Selectable Operating Modes	Keypad, Standard Run, 2-Wire, Standard Run 3-Wire, 15 Preset Speeds, Fan Pump 2-Wire, Fan Pump 3-Wire, Process Control, 3-SPD ANA 2-Wire, 3-SPD ANA 3-Wire, Electronic Pot 2-Wire, Electronic Pot 3-Wire, Network Profile Run, Bipolar
	Feedback Type	Resolver Feedback (Std.); Optional Incremental Encoder Feedback for VT Loads.
	Trip	Missing control power, over current, over voltage, under voltage, over temperature (motor or control), output shorted or grounded, motor overload, encoder loss.
	Stall Prevention	Over voltage suppression, overcurrent suppression
	External Output	LED trip condition indicators, 4 assignable logic outputs, 2 assignable analog outputs
	Short Circuit	Phase to phase, phase to ground
<b>Environmental Conditions</b>	Electronic Motor Overload	Meets UL508C (I <sup>2</sup> T)
	Temperature	10 to 45°C. Derate 3% per °C to maximum ambient temperature of 55°C.
	Cooling	Forced air
	Enclosure	NEMA 1 (-1B, -1T)
	Altitude	Sea level to 3300 Feet (1000 Meters) Derate 2% per 1000 Feet (303 Meters) above 3300 Feet
	Humidity	NEMA 1: 10 to 90% RH Non-Condensing
<b>Keypad Display</b>	Shock/Vibration	1G / 0.5G at 10Hz to 60Hz
	Storage Temperature	-10 to +65°C
	Display	LCD Graphical 128x64 Pixel
	Keys	14 key membrane with tactile feedback
	Functions	Output status monitoring, Digital speed control, Parameter setting and display, Diagnostic and Fault log display, Motor run and jog, Local/Remote toggle, One-step tuning
	LED Indicators	Forward run command, Reverse run command, Stop command, Jog active
<b>Analog Inputs</b>	Remote Mount	200 feet (60.6m) maximum from control, NEMA 4 Rated
	Trip	Separate message and trace log for each trip, last 10 trips retained in memory
	One Differential	±5VDC, ±10VDC, 4-20 mA and 0-20 mA, 11-bit + sign
<b>Analog Outputs</b>	One Single Ended	0 - 10 VDC, 11-bit
	Input Impedance	80 kOhms (Volt mode); 500 Ohms (Current mode)
	Analog Outputs	2 Assignable
<b>Digital Inputs</b>	Full Scale Range	AOUT1 (0-5V, 0-10V, 0-20mA or 4-20mA), AOUT2 (+5V, +10V)
	Source Current	1 mA maximum (volt mode), 20mA (current mode)
	Resolution	9 bits
	Opto-isolated Inputs	8 Assignable, 1 dedicated input (Drive Enable)
	Rated Voltage	10 - 30 VDC (closed contacts std)
	Input Impedance	4.71 k Ohms
<b>Digital Outputs (2 Opto Outputs)</b>	Leakage Current	10 mA maximum
	Update Rate	16 msec
	Rated Voltage	5 to 30VDC
	Maximum Current	60 mA Maximum
	ON Voltage Drop	2 VDC Maximum
<b>Digital Outputs (2 Relay Outputs)</b>	OFF Leakage Current	0.1 mA Maximum
	Output Conditions	31 Conditions
	Rated Voltage	5 to 30VDC or 240VAC
	Maximum Current	5A Maximum non-inductive
	Output Conditions	31 Conditions

Farm Duty Motors

Definite Purpose Motors

Unit Handling Motors

Brake Motors

200 & 575 Volt Motors

IEC Frame Motors

50 Hertz Motors

Inverter/Vector Motors & Controls

DC Motors and Controls

Soft Starters & Dynamic Brakes

**VS1PM Permanent Magnet Drive Output Ratings**

Catalog Number	Size	Heavy Duty			Normal Duty			List Price	Mult. Sym.
		Hp/kW	Continuous	Peak	Hp/kW	Continuous	Peak		
<b>460 Volts - Three Phase</b>									
VS1PM410-1B	AA	10/7.5	11.9	20.8	10/7.5	11.9	13.7	3,055	EC
VS1PM415-1B	B	15/11	17.9	31.2	20/15	23.0	26.4	3,830	EC
VS1PM420-1B	B	20/15	23.0	40.2	25/18.7	28.9	33.2	4,469	EC
VS1PM425-1B	B	25/18.7	28.9	50.6	30/22	34.0	39.1	5,638	EC
VS1PM430-1B	C	30/22	35.2	61.6	40/30	45.1	51.9	6,596	EC
VS1PM440-1B	C	40/30	44.2	77.4	50/37	55.3	63.5	8,298	EC
VS1PM450-1B	C	50/37	55.3	96.7	60/45	65.5	75.3	9,787	EC
VS1PM460-1B	D	60/45	74.2	129.9	75/55	90.8	104.4	10,532	EC
VS1PM475-1B	D	75/55	90.8	158.9	100/75	116.6	134.0	12,340	EC
VS1PM4100-1B	D	100/75	106.9	187.1	125/93	136.3	156.8	14,255	EC
VS1PM4125-1B	D	125/93	137.3	240.2	125/93	143.8	165.4	15,106	EC
VS1PM4150-1T *	E	150/112	153.0	262.8	200/150	204.0	234.6	18,150	EC
VS1PM4200-1T *	E	200/150	204.0	357.0	250/187	256.7	295.2	24,200	EC
VS1PM4250-1T *	E	250/187	256.7	449.2	300/224	306.7	352.9	30,250	EC

\* VS1PM "-1T" drives include an internal braking transistor. An integral braking resistor is not included.

**Dimensions in/(mm)**

Size	Outside			Mounting		Ap'x Shpg. Wgt. Lbs. (kg)
	Height	Width	Depth	Height	Width	
AA	12.27(312)	7.97(202)	8.21(209)	11.75(298)	7.38(187)	20(9.1)
B	18.00(457)	9.10(231)	9.77(248)	17.25(438)	7.00(178)	30(13.6)
C	22.00(559)	9.10(231)	9.77(248)	21.25(540)	7.00(178)	60(27.2)
D	28.00(711)	11.50(292)	13.00(330)	27.25(692)	9.50(241)	120(54.4)
E	41.00(1041)	18.75(476)	16.00(406)	39.75(1010)	15.75(400)	250(113.4)

Farm Duty Motors

Definite Purpose Motors

Unit Handling Motors

Brake Motors

200 & 575 Volt Motors

IEC Frame Motors

50 Hertz Motors

Inverter/Vector Motors & Controls

DC Motors and Controls

Soft Start & Dynamic Brakes

RPM AC,  
Inverter Duty,  
Three Phase

5 thru 1000 Hp

FL1838 thru L446I

**Applications:** Extruders, conveyors, crane & hoist systems, converting, pumps, web processing, test stands, traction duty, winders, printing.



**Features:** Compact square laminated steel frame FL210-L440 (FL180 is extruded aluminum) for inverter duty and vector duty 1000:1 constant torque. Premium class H insulation, 40 C ambient, 1.0 S.F. Ball bearing. Three normally closed thermostats (one per phase). Surpasses the requirements of MG1, Part 31. VPI insulation & insulated O.D.E. bearing is standard on all L440 frames. Exclusive optimum pole Inverter Duty - not for across the line operation.

Hp	RPM	Max. RPM	NEMA Frame	Encl.	Catalog Number	List Price	Mult. Sym.	"C" Dim.	Aprx. Wt. (lb)	Voltage	Full Load Amps	EISA Status (a)	Notes (a)
5	1800	3500	FL1838C	TENV	IDNRP18054C	3,232	E2	17.87	170	230/460	7.4	C	90
7 1/2	1800	3500	FL1852C	TENV	IDNRP18074C	3,716	E2	21.87	225	230/460	11	C	91
10	1800	3500	FL1844C	TEFC	IDFRPM18104C	3,858	E2	23.26	208	230/460	13.9	C	91
			FL2162C	TENV	IDNRP21104C	4,400	E2	23.11	300	230/460	13.6	C	91
15	1800	3500	FL1844C	TEBC	IDBRPM18154C	3,987	E2	23.89	200	460	21	C	92
			FL2162C	TEFC	IDFRPM21154C	4,805	E2	26.74	310	460	20	C	92
20	1800	3500	FL1852C	TEBC	IDBRPM18204C	4,394	E2	25.89	235	460	12.5	C	92
			FL2162C	TEFC	IDFRPM21204C	4,805	E2	26.74	318	460	27	C	92
25	1800	3500	FL2162C	TEBC	IDBRPM21254C	5,114	E2	26.74	320	460	34	C	92
		2600	FL1844C	DPG-FV	IDDRPM18254C	4,624	E2	22.32	246	460	33	C	92
		3500	FL2173C	TEFC	IDFRPM21254C	5,190	E2	29.50	380	460	34	C	92
30	1800	3500	FL2162C	TEBC	IDBRPM21304C	5,114	E2	26.74	215	460	40	C	92
		3475	FL1852C	DPG-FV	IDDRPM18304C	4,811	E2	23.32	248	460	39	C	92
		3500	FL2570C	TEFC	IDFRPM25304C	5,462	E2	29.54	500	460	38	C	92
40	1800	3500	FL2173	TEBC	IDBRPM21404	5,651	E2	29.25	382	460	51	C	93
		2000	RL2162	DPG-FV	IDDRPM21404	5,604	E2	23.12	400	460	50	C	93
		3550	FL2586	TEFC	IDFRPM25404	5,942	E2	33.79	650	460	51	C	93
50	1800	3500	FL2570	TEBC	IDBRPM25504	6,302	E2	29.79	530	460	65	C	93
		2000	RL2168	DPG-FV	IDDRPM21504	7,544	E2	24.62	432	460	62	C	93
		3550	FL2882	TEFC	IDFRPM28504	10,149	E2	34.59	775	460	64	C	93
60	1800	1300	RL2570	DPG-FV	IDDRPM25506	9,060	E2	26.38	560	460	64	C	93
		3500	FL2578	TEBC	IDBRPM25604	9,302	E2	31.79	610	460	75	C	93
		2200	RL2168	DPG-FV	IDDRPM21604	7,544	E2	24.62	426	460	74	C	93
	1200	3550	FL2890	TEFC	IDFRPM28604	10,149	E2	36.59	855	460	76	C	93
		1300	RL2578	DPG-FV	IDDRPM25606	10,985	E2	28.38	624	460	73	C	93
75	1800	3500	FL2586	TEBC	IDBRPM25754	11,109	E2	33.79	670	460	92	C	93
		2500	RL2570	DPG-FV	IDDRPM25754	9,060	E2	26.38	565	460	96	C	93
		3550	FL2898	TEFC	IDFRPM28754	12,125	E2	38.59	800	460	94	C	93
100	1800	1300	RL2586	DPG-FV	IDDRPM25756	14,557	E2	30.38	608	460	91	C	93
		3550	FL2890	TEBC	IDBRPM281004R1	12,573	E2	41.11	785	460	124	C	93
		2000	RL2578	DPG-FV	IDDRPM251004	10,985	E2	28.38	630	460	119	C	93
125	1800	1200	RL2882	DPG-FV	IDDRPM281006	16,253	E2	31.14	785	460	124	C	93
		3550	FL2898	TEBC	IDBRPM281254	13,305	E2	43.11	890	460	156	C	93
		3500	L3203	TEBC	IDBRPM321254	18,636	E2	44.25	1205	460	150	C	93
	1200	2000	RL2586	DPG-FV	IDDRPM251254	14,557	E2	30.38	700	460	148	C	93
		3550	FL2898	TEFC	IDFRPM281256	21,189	E2	35.14	810	460	159	C	93
150	1800	3500	L3213	TEBC	IDBRPM321504	24,933	E2	46.75	1360	460	177	C	93
		2000	RL2882	DPG-FV	IDDRPM281504	16,253	E2	31.14	770	460	156	C	93
		1200	1600	L3203	DPG-FV	IDDRPM321506	24,933	E2	39.88	1180	460	180	C

(a) See notes on inside back flap.

All TEBC and DPG-FV have integral blower rated 230/460 volts 3 phase. All TENV, TEFC and TEBC have top mounted conduit box. All DPG-FV are F1.

**ENCODER MOUNTING PROVISIONS - INCLUDE MACHINED ODE BRACKET AND SHAFT TAPPED FOR STUB SHAFT. FOR CLOSED LOOP CONTROL SEE ENCODER FEEDBACK KITS ON PAGES 222 AND 223 FOR USE WITH ID-RPM AC MOTORS. FOR RPM AC MOD EXPRESS, CONTACT YOUR BALDOR•RELIANCE DISTRICT OFFICE.**

Farm Duty Motors

Definite Purpose Motors

Unit Handling Motors

Brake Motors

200 & 575 Volt Motors

IEC Frame Motors

50 Hertz Motors

Inverter/Vector Motors & Controls

DC Motors and Controls

Soft Starters & Dynamic Brakes

**RPM AC, Inverter Duty, Three Phase**

Hp	RPM	Max. RPM	NEMA Frame	Encl.	Catalog Number	List Price	Mult. Sym.	"C" Dim.	Aprx. Wt. (lb)	Voltage	Full Load Amps	EISA Status <sup>(a)</sup>	Notes <sup>(a)</sup>
200	1800	3500	L3614	TEBC	<b>IDBRPM362004</b>	27,583	E2	42.75	1835	460	227	C	93
			L4022	TEBC	<b>IDBRPM402004</b>	29,761	E2	42.12	1996	460	227	C	93
	1200	2000	RL2898	DPG-FV	<b>IDDRPM282004</b>	21,189	E2	35.14	940	460	241	C	93
			L3213	DPG-FV	<b>IDDRPM322006</b>	29,035	E2	42.38	1295	460	236	C	93
250	1800	3500	L4034	TEBC	<b>IDBRPM402504</b>	34,534	E2	45.12	2244	460	283	C	93
			L3203	DPG-FV	<b>IDDRPM322504</b>	24,933	E2	39.88	1220	460	290	C	93
	1200	2000	L3614	DPG-FV	<b>IDDRPM362504</b>	36,767	E2	45.00	1690	460	289	C	93
300	1800	3500	L4046	TEBC	<b>IDBRPM403004</b>	42,365	E2	48.12	2511	460	336	C	93
			L3213	DPG-FV	<b>IDDRPM323004</b>	29,035	E2	42.88	1360	460	350	C	93
	1200	2000	L4034	DPG-FV	<b>IDDRPM403006</b>	48,538	E2	52.00	2289	460	360	C	93
350	1800	2200	L3614	DPG-FV	<b>IDDRPM363504</b>	36,767	E2	45.00	1812	460	401	C	93
400	1800	2500	L3614	DPG-FV	<b>IDDRPM364004</b>	36,767	E2	45.00	1840	460	477	C	93
	1200	2000	L4046	DPG-FV	<b>IDDRPM404006</b>	59,172	E2	55.00	2485	460	451	C	93
500	1800	2400	L4034	DPG-FV	<b>IDDRPM405004</b>	48,538	E2	52.00	2285	460	557	C	94
	1200	2380	L4461	DPG-FV	<b>IDDRPM445006</b>	92,546	E2	63.63	3875	460	669	C	95
600	1800	2200	L4046	DPG-FV	<b>IDDRPM406004</b>	59,172	E2	55.00	2535	460	666	C	94
700	1800	2300	L4429	DPG-FV	<b>IDDRPM447004</b>	73,848	E2	55.63	3180	460	875	C	94
1,000	1800	2000	L4461	DPG-FV	<b>IDDRPM4410004</b>	92,546	E2	63.63	3890	460	1,202	C	94

<sup>(a)</sup> See notes on inside back flap.

All TEBC and DPG-FV have integral blower rated 230/460 volts 3 phase. All TENV, TEFC and TEBC have top mounted conduit box. All DPG-FV are F1.

**ENCODER MOUNTING PROVISIONS - INCLUDE MACHINED ODE BRACKET AND SHAFT TAPPED FOR STUB SHAFT. FOR CLOSED LOOP CONTROL SEE ENCODER FEEDBACK KITS ON PAGES 222 AND 223 FOR USE WITH ID-RPM AC MOTORS. FOR RPM AC MOD EXPRESS, CONTACT YOUR BALDOR•RELIANCE DISTRICT OFFICE.**

Farm Duty Motors

Definite Purpose Motors

Unit Handling Motors

Brake Motors

200 & 575 Volt Motors

IEC Frame Motors

50 Hertz Motors

Inverter/Vector Motors & Controls

DC Motors and Controls

Soft Start & Dynamic Brakes

**RPM AC,  
Vector Duty,  
Three Phase,  
Totally Enclosed**

**5 thru 200 Hp**

**FL1838 thru L4022**

**Applications:** Test stands, extruders, conveyors, crane & hoist systems, converting, web processing, traction duty, winders, printing.



**Features:** Compact square laminated steel frame FL210-L440 (FL180 is extruded aluminum) for vector duty 1000:1 constant torque. Premium class H insulation, 40 C ambient, 1.0 S.F. Ball bearing. Three normally closed thermostats (one per phase). Surpasses the requirements of MG1, Part 31. VPI insulation & insulated O.D.E. bearing is standard on all L440 frames. Exclusive optimum pole Inverter Duty - not for across the line operation. Includes BEI HS35 1024 ppr hollow shaft encoder with MS twist lock connector, mating connector and protective cover.

Hp	RPM	Max. RPM	NEMA Frame	Encl.	Catalog Number	List Price	Mult. Sym.	"C" Dim.	Aprx. Wt. (lb)	Voltage	Full Load Amps	EISA Status <sup>(a)</sup>	Notes <sup>(a)</sup>
5	1800	3500	FL1838C	TENV	ZDNRPM18054C	5,019	E2	17.87	165	230/460	7.4	C	90
7 1/2	1800	3500	FL1852C	TENV	ZDNRPM18074C	5,503	E2	21.87	220	230/460	11	C	91
10	1800	3500	FL1844C	TEFC	ZDFRPM18104C	5,645	E2	23.23	200	230/460	13.9	C	91
			FL2162C	TENV	ZDNRPM21104C	6,187	E2	23.11	305	230/460	13.6	C	91
15	1800	3500	FL1844C	TEBC	ZDBRPM18154C	5,774	E2	28.93	218	460	21	C	92
			FL1852C	TEBC	ZDBRPM18204C	6,181	E2	30.39	275	460	27	C	92
20	1800	2500	FL2162C	TEFC	ZDFRPM21204C	6,901	E2	26.74	318	460	27	C	92
			FL2173C	TEFC	ZDFRPM21254C	6,976	E2	29.50	415	460	34	C	92
30	1800	3500	FL2162C	TEBC	ZDBRPM21304C	6,901	E2	31.24	375	460	40	C	92
			FL2570C	TEFC	ZDFRPM25304C	7,249	E2	29.54	542	460	40	C	92
40	1800	3500	FL2173	TEBC	ZDBRPM21404	7,267	E2	33.75	425	460	52	C	93
			FL2586	TEFC	ZDFRPM25404	7,558	E2	33.79	675	460	52	C	93
50	1800	3500	FL2570	TEBC	ZDBRPM25504	7,919	E2	34.26	560	460	61	C	93
60	1800	3500	FL2578	TEBC	ZDBRPM25604	10,919	E2	36.29	615	460	74	C	93
75	1800	3500	FL2586	TEBC	ZDBRPM25754	12,726	E2	38.29	612	460	94	C	93
100	1800	3550	FL2890	TEBC	ZDBRPM281004R1	14,189	E2	45.61	805	460	124	C	93
125	1800	3500	FL2898	TEBC	ZDBRPM281254	14,922	E2	47.61	985	460	156	C	93
			L3203	TEBC	ZDBRPM321254	20,252	E2	44.25	1170	460	150	C	93
150	1800	3500	L3213	TEBC	ZDBRPM321504	26,550	E2	46.75	1310	460	177	C	93
200	1800	3500	L3614	TEBC	ZDBRPM362004	29,199	E2	46.75	1830	460	240	C	93
			L4022	TEBC	ZDBRPM402004	31,375	E2	49.12	2030	460	240	C	93

<sup>(a)</sup> See notes on inside back flap.

All TEBC have integral blower rated 230/460 volts 3 phase.

**CONTINUOUS CONSTANT TORQUE TO ZERO SPEED**

Farm Duty Motors

Definite Purpose Motors

Unit Handling Motors

Brake Motors

200 & 575 Volt Motors

IEC Frame Motors

50 Hertz Motors

Inverter/Vector Motors & Controls

DC Motors and Controls

Soft Starters & Dynamic Brakes

**BALDOR • RELIANCE**

**Encoder Feedback Kits**

**1024 PPR**, Includes all Mounting Hardware and Mating Connector

The following kits for use with RPM AC motors on pages 219-220.

Catalog Number	Motor Enclosure	Type	Frame Size	Mfg.	Mag or Optical	Conn Type	Input Voltage VDC	List Price	Mult. Sym.	Ap'x. Shpg. Wgt.
<b>417077-136</b>	TENV	HS35	FL180-FL/RL280 (1)	BEI	0	MS-ST	5-15	1,400	E8	4
<b>417077-208TL</b>	TENV	HS35	FL180-FL280 (1)	BEI	0	MS-TL	5-28	1,400	E8	6
<b>417708-361</b>	TENV	HSD35	FL180-FL/RL280 (1)	Dynapar	0	Latch	5-26	1,575	E8	5
<b>417077-153</b>	TENV	H20	FL180-FL/RL280 (1)	Dynapar	0	MS-ST	5-15	1,551	E8	9
<b>417077-156</b>	TENV	RL67	FL180-FL/RL280 (1)	Dynapar	M	Latch	5-15	2,000	E8	9
<b>417077-170</b>	TENV	HS35M	FL180-FL/RL280 (1)	Avtron	M	MS-ST	5-24	1,400	E8	10
<b>417077-133</b>	TEFC	HS35	FL180-FL/RL280 (1)	BEI	0	MS-ST	5-15	1,400	E8	5
<b>417077-209TL</b>	TEFC	HS35	FL180-FL280 (1)	BEI	0	MS-TL	5-28	1,400	E8	6
<b>417077-180</b>	TEFC	HS35M	FL180-FL/RL280 (1)	Avtron	M	MS-ST	5-24	1,400	E8	8
<b>417077-165</b>	TEBC	HS35	FL180	BEI	0	MS-ST	5-15	1,400	E8	15
<b>417077-210TL</b>	TEBC	HS35	FL180	BEI	0	MS-TL	5-28	1,400	E8	6
<b>417077-188</b>	TEBC	HS35	FL210 Only	BEI	0	MS-ST	5-15	1,400	E8	10
<b>417077-211TL</b>	TEBC	HS35	FL210	BEI	0	MS-TL	5-28	1,400	E8	6
<b>417077-189</b>	TEBC	HS35	FL250 Only	BEI	0	MS-ST	5-15	1,400	E8	10
<b>417077-212TL</b>	TEBC	HS35	FL250	BEI	0	MS-TL	5-28	1,400	E8	6
<b>417077-204</b>	TEBC	HS35	FL280	BEI	0	MS-ST	5-15	1,400	E8	6
<b>417077-213TL</b>	TEBC	HS35	FL280	BEI	0	MS-TL	5-28	1,400	E8	6
<b>417708-131</b>	TEBC	HS35	L280	BEI	0	MS-ST	5-15	1,400	E8	10
<b>417708-140</b>	TEBC	HS35	L320	BEI	0	MS-ST	5-15	1,400	E8	10
<b>417077-214TL</b>	TEBC	HS35	L320	BEI	0	MS-TL	5-28	1,400	E8	6
<b>417077-215TL</b>	TEBC	HS35	L360	BEI	0	MS-TL	5-28	1,400	E8	6
<b>417708-142</b>	TEBC	HS35	L400	BEI	0	MS-ST	5-15	1,400	E8	15
<b>417077-216TL</b>	TEBC	HS35	L400	BEI	0	MS-TL	5-28	1,400	E8	6
<b>417077-173</b>	TEBC	HS35M	FL180	Avtron	M	MS-ST	5-24	1,400	E8	10
<b>417077-182</b>	TEBC	HS35M	FL210 Only	Avtron	M	MS-ST	5-24	1,400	E8	10
<b>417077-183</b>	TEBC	HS35M	FL250 Only	Avtron	M	MS-ST	5-24	1,400	E8	15
<b>417077-205</b>	TEBC	HS35M	FL280	Avtron	M	MS-ST	5-24	1,400	E8	9
<b>417077-176</b>	TEBC	HS35M	L280	Avtron	M	MS-ST	5-24	1,400	E8	15
<b>417077-177</b>	TEBC	HS35M	L320	Avtron	M	MS-ST	5-24	1,400	E8	35
<b>417077-178</b>	TEBC	HS35M	L360	Avtron	M	MS-ST	5-24	1,400	E8	15
<b>417077-179</b>	TEBC	HS35M	L400	Avtron	M	MS-ST	5-24	1,400	E8	35
<b>417077-167</b>	TEBC	H20	FL180	Dynapar	0	MS-ST	5-15	1,551	E8	20
<b>417077-190</b>	TEBC	H20	FL210 Only	Dynapar	0	MS-ST	5-15	1,551	E8	10
<b>417077-191</b>	TEBC	H20	FL250 Only	Dynapar	0	MS-ST	5-15	1,551	E8	10
<b>417077-203</b>	TEBC	H20	FL280	Dynapar	0	MS-ST	5-15	1,551	E8	6
<b>417708-90</b>	TEBC	H20	L280	Dynapar	0	MS-ST	5-15	1,551	E8	13
<b>417708-91</b>	TEBC	H20	L320	Dynapar	0	MS-ST	5-15	1,551	E8	15
<b>417077-168</b>	TEBC	RL67	FL180	Dynapar	M	Latch	5-15	2,000	E8	10
<b>417077-192</b>	TEBC	RL67	FL210 Only	Dynapar	M	Latch	5-15	2,000	E8	10
<b>417077-193</b>	TEBC	RL67	FL250 Only	Dynapar	M	Latch	5-15	2,000	E8	10
<b>417077-206</b>	TEBC	RL67	FL280	Dynapar	M	Latch	5-15	2,000	E8	6
<b>417077-136</b>	DPFV	HS35	FL180-RL280 (2)	BEI	0	MS-ST	5-15	1,400	E8	4
<b>417077-208TL</b>	DPFV	HS35	FL180-RL280 (2)	BEI	0	MS-TL	5-28	1,400	E8	6
<b>417708-130</b>	DPFV	HS35	L280-L400	BEI	0	MS-ST	5-15	1,400	E8	5
<b>417077-218TL</b>	DPFV	HS35	L320-L400	BEI	0	MS-TL	5-28	1,400	E8	6
<b>417077-170</b>	DPFV	HS35M	FL180-RL280 (2)	Avtron	M	MS-ST	5-24	1,400	E8	10
<b>417077-171</b>	DPFV	HS35M	L280-L400	Avtron	M	MS-ST	5-24	1,400	E8	5
<b>417077-172</b>	DPFV	HS35M	L440	Avtron	M	MS-ST	5-24	1,400	E8	5



## Encoder Feedback Kits RPM AC Designs

Catalog Number	Motor Encl	Type	Frame Size	Mfg.	Mag or Optical	Conn Type	Input Voltage VDC	List Price	Mult. Sym.	Ap'x. Shpg. Wgt.
<b>417077-153</b>	DPFV	H20	FL180-RL280 (2)	Dynapar	0	MS-ST	5-15	1,551	E8	9
<b>417708-85</b>	DPFV	H20	L280-L400	Dynapar	0	MS-ST	5-15	1,551	E8	5
<b>417077-156</b>	DPFV	RL67	FL180-RL280 (2)	Dynapar	M	Latch	5-15	2,000	E8	9
<b>417708-87</b>	DPFV	RL67	L280-L400	Dynapar	M	Latch	5-15	2,000	E8	6
<b>417708-120</b>	DPFV	RL67	L440	Dynapar	M	Latch	5-15	2,000	E8	23

(1) Includes FL180, FL210, FL250, RL210, RL250, FL280 and RL280

(2) Includes FL180, RL210, RL250 and RL280

### Encoder Mounting Kits - no encoder

Kit includes stub shaft only (no encoder) - unmounted - for RPM AC motor frames FL180-L440.

Encoder (reference)	Frame	Enclosure	Catalog Number	List Price	Mult. Sym.
BEI HS35 (1 inch dia.)	FL180-FL/RL250 (3)	DPFV, TENV, TEFC, TEBC (2)	<b>417708-201</b>	160	E8
	FL/RL280 thru L400	DPFV & TEBC (2)	<b>417708-202</b>	160	E8
	L440	DPFV & TEAO-P/B	<b>417708-203</b>	160	E8

(2) Note: encoder addition requires an extended blower cover on TEBC motors in all frames except L320.

Cover is included in complete kits only.

(3) Includes FL180, FL210, FL250, RL210, RL250

Farm Duty  
Motors

Definite Purpose  
Motors

Unit Handling  
Motors

Brake Motors

200 & 575 Volt  
Motors

IEC Frame  
Motors

50 Hertz  
Motors

Inverter/Vector  
Motors & Controls

DC Motors  
and Controls

Soft Starters &  
Dynamic Brakes

**RPM AC Slide Bases**

**Application:** Used for adjustable belt tension on belted application not suitable for wall or ceiling mounting.

Frame	Catalog Number	List Price	Mult. Symbol	Dimension Sheet	Approx. Wt. (Lb.)
FL1831	419914-9A	455	E8	609957-9	13
FL1838	419914-9B	455	E8	609957-9	14
FL1844	419914-9C	455	E8	609957-9	15
FL1852	419914-9D	455	E8	609957-9	17
FL/RL2153	419914-10A	455	E8	609957-10	39
FL/RL2158	419914-10B	455	E8	609957-10	27
FL/RL2162	419914-10D	531	E8	609957-10	48
FL/RL2168	419914-10L	531	E8	609957-10	52
FL/RL2173	419914-10M	531	E8	609957-10	28
FL/RL2570	419914-10G	531	E8	609957-10	55
FL/RL2578	419914-10N	682	E8	609957-10	58
FL/RL2586	419914-10P	682	E8	609957-10	56
L2875	419914-10J	682	E8	609957-10	37
FL/RL/L2882	419914-10K	976	E8	609957-10	80
FL/RL/L2890	419914-10R	976	E8	609957-10	80
FL/RL/L2898	419914-10S	976	E8	609957-10	90
L3203	419914-11P	1,077	E8	609977-10	90
L3213	419914-11R	1,077	E8	609977-10	90
UL3698	419914-11M	1,262	E8	609977-10	105
UL3699	419914-11C	1,262	E8	609977-10	105
UL3607	419914-11D	1,262	E8	609977-10	74
UL3614	419914-11N	1,262	E8	609977-10	124
UL4022	419914-11E	2,404	E8	609977-10	105
UL4034	419914-11F	2,404	E8	609977-10	132
UL4046	419914-11G	2,404	E8	609977-10	141
UL4429	419914-11H	4,536	E8	609977-10	140
UL4440	419914-11J	4,536	E8	609977-10	150
UL4451	419914-11K	4,536	E8	609977-10	160
UL4461	419914-11L	4,536	E8	609977-10	165

**RPM AC Filter Kits**

**Application:** For use with DPFV enclosures

Frame	Catalog Number	List Price	Mult. Symbol	Description	Approx. Wt. (Lb.)
FL180	417077-57	795	A8	Washable Wire Mesh Canister Type	2
RL210	417077-59	795	A8	Washable Wire Mesh Canister Type	4
RL250	417077-59	795	A8	Washable Wire Mesh Canister Type	4
RL/L280	417077-59	795	A8	Washable Wire Mesh Canister Type	4
L320	417077-59	795	A8	Washable Wire Mesh Canister Type	4
L360	417077-65	1,017	A8	Washable Wire Mesh Canister Type	7
L400	417077-102	1,434	A8	Washable Wire Mesh Canister Type	6
L440	417077-124	1,653	A8	Square Replaceable Polyester Type	18

Farm Duty Motors

Definite Purpose Motors

Unit Handling Motors

Brake Motors

200 & 575 Volt Motors

IEC Frame Motors

50 Hertz Motors

Inverter/Vector Motors & Controls

DC Motors and Controls

Soft Start & Dynamic Brakes

**RPM AC Mounting Conversion Kits for FL180-FL280 Frames**

Kits are for relocation of the conduit box of stock FL180 - FL280 frame motors as noted. Installation of this kit requires complete disassembly/reassembly of motor. Price is for kit only.

Frame	Catalog Number	List Price	Mult. Sym.	Enclosure	Relocate Conduit Box:
<b>For FL180-FL280 Frames</b>					
FL180	<b>417077-184</b>	488	E8	TENV, TEBC, TEFC	From Top to F-1 or F-2
FL180	<b>417077-185</b>	488	E8	DPFV	From F-1 to F-2
FL210	<b>417077-186</b>	573	E8	TENV, TEBC, TEFC	From Top to F-1 or F-2
FL250	<b>417077-187</b>	573	E8	TENV, TEBC, TEFC	From Top to F-1 or F-2
FL280	<b>417077-201</b>	613	E8	TENV, TEBC, TEFC	From Top to F-1 or F-2
<b>For RL210-RL280 Frames</b>					
RL2153 thru RL2173	<b>417077-129</b>	488	E8	DPFV	From F-1 to F-2
RL250 thru RL2586	<b>417077-131</b>	488	E8	DPFV	From F-1 to F-2
RL2153 thru RL2173	<b>417077-130</b>	573	E8	TENV, TEBC, TEFC	From Top to F-1 or F-2
RL2570 thru RL2586	<b>417077-132</b>	573	E8	TENV, TEBC, TEFC	From Top to F-1 or F-2
RL2882 thru RL2898	<b>417077-202</b>	613	E8	DPFV	From F-1 to F-2

**Replacement Blower Kits for DPG-FV RPM AC Motors**

Kit includes blower motor and shroud, blower wheel and all mounting hardware. Filter is not included.

DPFV Frame	Catalog Number	List Price	Mult. Sym.
RL210	<b>417077-144</b>	871	E8
RL250	<b>417077-145</b>	1,702	E8
RL and L280	<b>419947-31</b>	1,696	E8
L320	<b>419947-33</b>	1,887	E8
L360	<b>417077-127</b>	1,854	A8
L400	<b>417077-75</b>	2,030	A8
L440	<b>417077-126</b>	4,139	A8

Kit includes terminal box and blower motor only.

TEBC Frame	Catalog Number	List Price	Mult. Sym.
FL180 (3)	<b>417077-143</b>	871	E8
FL/RL210-320(3)	<b>417077-141</b>	1,108	E8

(3) Compact inline blower used on stock models (IP44 rating)

Farm Duty Motors

Definite Purpose Motors

Unit Handling Motors

Brake Motors

200 & 575 Volt Motors

IEC Frame Motors

50 Hertz Motors

Inverter/Vector Motors & Controls

DC Motors and Controls

Soft Starters & Dynamic Brakes

**V\*S Master  
Inverter Drive,  
Three Phase,  
Totally Enclosed**

**1/3 thru 300 Hp**

**NEMA 56C thru 449T**

**Applications:** Conveyors, extruders, printing lines, converting, test stands, anywhere constant torque is required over a wide speed range.

**Features:** Designed specifically for Inverter operation where up to 1000:1 constant torque speed range is required. Includes provisions for stub shaft for hollow shaft encoder, three thermostats, and all 440T frames include an ODE insulated bearing. Insulation system exceeds NEMA MG 1-2006, Part 31.4.4.2. Continuous constant torque to zero speed.



Hp	RPM	Max. RPM	NEMA Frame	Encl.	Catalog Number	List Price	Mult. Sym.	"C" Dim.	Aprx. Wt. (lb)	Voltage	Full Load Amps	EISA Status (a)	Notes (a)
1/3	1800	6000	56C	TENV	IDVSNM3534	436	E2	13.84	35	230/460	0.6	C	2, 48
1/2	1800	6000	56C	TENV	IDVSNM3538	510	E2	13.84	35	230/460	0.8	C	2, 48
3/4	1800	6000	56C	TENV	IDVSNM3542	568	E2	13.84	34	230/460	1.2	C	2, 48
1	1800	6000	56C	TENV	IDVSNM3546	924	K	14.84	45	230/460	1.4	C	
			143TC	TENV	IDVSNM3581T	1,159	E2	14.65	62	230/460	1.5	C	2, 48
1 1/2	1800	6000	145TC	TENV	IDVSNM3584T	1,279	E2	14.65	66	230/460	2.1	C	2, 48
2	1800	6000	145TC	TENV	IDVSNM3587T	1,336	E2	14.65	69	230/460	2.7	C	2, 48
3	1800	2700	182TC	TEFC	IDVSM3661T	1,476	E2	15.56	126	230/460	3.8	C	2, 48
			182TC	TENV	IDVSNM3661T	1,518	E2	14.69	126	230/460	3.8	C	2, 48
5	1800	2700	L184TC	TEFC	IDVSM3665T	1,711	E2	17.12	144	230/460	6.4	C	2, 48
			L184TC	TENV	IDVSNM3665T	1,759	E2	16.19	148	230/460	6.4	C	2, 48
7 1/2	1800	2700	213TC	TEFC	IDVSM3770T	2,201	E2	19.25	181	230/460	9.6	C	2, 48
			L215TC	TENV	IDVSNM2237T	2,263	E2	19.25	175	230/460	9.2	C	2, 48
10	1800	2700	L215TC	TEFC	IDVSM3774T	2,870	E2	20.12	200	230/460	12.4	C	2, 48
			254TC	TENV	IDVSNM2238T	3,104	E2	23.78	296	230/460	12.7	C	2, 48
15	1800	2700	254TC	TEFC	IDVSM2333T	3,339	E2	24.50	329	230/460	18.4	C	2, 48
			256TC	TENV	IDVSNM2333T	3,734	E2	23.78	331	230/460	18.7	C	2, 48
20	1800	2700	256TC	TEFC	IDVSM2334T	3,620	E2	24.50	356	230/460	25.5	C	2, 48
25	1800	2700	284TC	TEFC	IDVSM4103T	4,597	E2	27.44	437	230/460	31	C	2, 48
30	1800	2700	286TC	TEFC	IDVSM4104T	5,022	E2	27.44	450	230/460	38.1	C	2, 48
40	1800	2700	324T	TEFC	IDVSM4110T	5,794	E2	30.44	672	230/460	49.8	C	2, 48
50	1800	2700	326T	TEFC	IDVSM4115T	7,081	E2	30.44	627	230/460	62.5	C	2, 48
60	1800	2700	364T	TEFC	IDVSM4314T	8,772	E2	33.44	889	230/460	71.2	C	2, 48
75	1800	2700	365T	TEFC	IDVSM4316T	10,986	E2	33.44	888	230/460	89.2	C	2, 48
100	1800	2700	405T	TEFC	IDVSM4400T-4	14,198	E2	38.31	1257	460	116	C	2, 48
125	1800	2700	444T	TEFC	IDVSM4410T-4	17,624	E2	44.62	1657	460	150	C	2, 48
150	1800	2700	445T	TEFC	IDVSM4406T-4	21,033	E2	44.62	1822	460	177	C	2, 48
200	1800	2700	447T	TEFC	IDVSM4407T-4	24,922	E2	48.13	2275	460	226	C	2, 48
250	1800	2700	449T	TEFC	IDVSM4408T-4	35,224	E2	53.13	2650	460	277	C	2, 48
300	1800	2700	449T	TEFC	IDVSM44304T-4	35,224	E2	53.13	2808	460	338	C	2, 48

(a) See notes on inside back flap.

**CONTINUOUS CONSTANT TORQUE TO ZERO SPEED**

■ Cast Iron Frame

Farm Duty Motors

Definite Purpose Motors

Unit Handling Motors

Brake Motors

200 & 575 Volt Motors

IEC Frame Motors

50 Hertz Motors

Inverter/Vector Motors & Controls

DC Motors and Controls

Soft Start & Dynamic Brakes

**V\*S Master  
Vector Drive,  
Three Phase,  
Totally Enclosed**

**1/2 thru 300 Hp**

**NEMA 56C thru 449T**

**Applications:** Conveyors, extruders, printing lines, converting, test stands, anywhere constant torque is required over a wide speed range.

**Features:** Designed specifically for Inverter operation where up to 1000:1 constant torque speed range is required. Includes 1024 ppr hollow shaft encoder, three thermostats, and all 440T frames include an ODE insulated bearing. Insulation system exceeds NEMA MG 1-2006, Part 31.4.4.2. Continuous constant torque to zero speed.



Hp	RPM	Max. RPM	NEMA Frame	Encl.	Catalog Number	List Price	Mult. Sym.	"C" Dim.	Aprx. Wt. (lb)	Voltage	Full Load Amps	EISA Status (a)	Notes (a)
1/2	1800	6000	56C	TENV	ZDVSNM3538	1,883	E2	13.84	37	230/460	0.8	C	2, 46, 48
3/4	1800	6000	56C	TENV	ZDVSNM3542	1,940	E2	13.84	40	230/460	1.2	C	2, 46, 48
1	1800	6000	145TC	TENV	ZDVSNM3581T	2,532	E2	14.65	65	230/460	1.5	C	2, 46, 48
1 1/2	1800	6000	145TC	TENV	ZDVSNM3584T	2,650	E2	14.65	67	230/460	2.1	C	2, 46, 48
2	1800	6000	145TC	TENV	ZDVSNM3587T	2,923	E2	14.65	69	230/460	2.7	C	2, 46, 48
3	1800	2700	182TC	TEFC	ZDVSM3661T	3,093	E2	15.62	125	230/460	3.8	C	2, 46, 48
			182TC	TENV	ZDVSNM3661T	3,135	E2	14.69	139	230/460	3.8	C	2, 46, 48
5	1800	2700	L184TC	TEFC	ZDVSM3665T	3,327	E2	17.12	152	230/460	6.4	C	2, 46, 48
			L184TC	TENV	ZDVSNM3665T	3,375	E2	16.19	151	230/460	6.4	C	2, 46, 48
7 1/2	1800	2700	213TC	TEFC	ZDVSM3770T	3,817	E2	19.25	184	230/460	9.6	C	2, 46, 48
			L215TC	TENV	ZDVSNM2237T	3,879	E2	19.25	211	230/460	9.2	C	2, 46, 48
10	1800	2700	L215TC	TEFC	ZDVSM3774T	4,486	E2	20.12	204	230/460	12.4	C	2, 46, 48
			254TC	TENV	ZDVSNM2238T	4,721	E2	23.78	359	230/460	12.7	C	2, 46, 48
15	1800	2700	254TC	TEFC	ZDVSM2333T	4,955	E2	24.50	328	230/460	18.4	C	2, 46, 48
			256TC	TENV	ZDVSNM2333T	5,351	E2	23.78	378	230/460	18.7	C	2, 46, 48
20	1800	2700	256TC	TEFC	ZDVSM2334T	5,237	E2	24.50	346	230/460	25.5	C	2, 46, 48
25	1800	2700	284TC	TEFC	ZDVSM4103T	6,213	E2	27.44	445	230/460	31	C	2, 46, 48
30	1800	2700	286TC	TEFC	ZDVSM4104T	6,638	E2	27.44	450	230/460	38.1	C	2, 46, 48
40	1800	2700	324T	TEFC	ZDVSM4110T	7,410	E2	30.44	696	230/460	49.8	C	2, 46, 48
50	1800	2700	326T	TEFC	ZDVSM4115T	8,697	E2	30.44	693	230/460	62.5	C	2, 46, 48
60	1800	2700	364T	TEFC	ZDVSM4314T	10,388	E2	33.44	884	230/460	71.2	C	2, 46, 48
75	1800	2700	365T	TEFC	ZDVSM4316T	12,602	E2	33.44	944	230/460	89.2	C	2, 46, 48
100	1800	2700	405T	TEFC	ZDVSM4400T-4	15,815	E2	38.31	1247	460	116	C	2, 46, 48
125	1800	2700	444T	TEFC	ZDVSM4410T-4	19,240	E2	44.62	1744	460	150	C	2, 46, 48
150	1800	2700	445T	TEFC	ZDVSM4406T-4	22,649	E2	44.62	1892	460	177	C	2, 46, 48
200	1800	2700	447T	TEFC	ZDVSM4407T-4	26,538	E2	48.13	2275	460	226	C	2, 46, 48
250	1800	2700	449T	TEFC	ZDVSM4408T-4	36,840	E2	53.13	2650	460	277	C	2, 46, 48
300	1800	2700	449T	TEFC	ZDVSM44304T-4	36,840	E2	53.13	2820	460	338	C	2, 46, 48

(a) See notes on inside back flap.

**CONTINUOUS CONSTANT TORQUE TO ZERO SPEED**

■ Cast Iron Frame

Farm Duty Motors

Definite Purpose Motors

Unit Handling Motors

Brake Motors

200 & 575 Volt Motors

IEC Frame Motors

50 Hertz Motors

Inverter/Vector Motors & Controls

DC Motors and Controls

Soft Starters & Dynamic Brakes

**V\*S Master Severe Duty Vector Drive, Three Phase, Totally Enclosed**

1/2 thru 50 Hp

NEMA 140T thru 320T

**Applications:** Conveyors, extruders, printing lines, converting, test stands, anywhere constant torque is required over a wide speed range. These Severe Duty motors are designed for harsh industrial environments by protecting motor components from moisture, chemicals, corrosion and abrasives.

**Features:** Designed specifically for Inverter operation where up to 1000:1 constant torque speed range is required. Includes 1024 ppr hollow shaft encoder and three thermostats. Uses Dynapar HSD38M encoder on 180 frame and up. Insulation system exceeds NEMA MG 1-2006, Part 31.4.4.2. Continuous constant torque to zero speed.



Hp	RPM	Max. RPM	NEMA Frame	Encl.	Catalog Number	List Price	Mult. Sym.	"C" Dim.	Aprx. Wt. (lb)	Voltage	Full Load Amps	EISA Status (a)	Notes (a)
1	1800	6000	143TC	TENV	ZDVSNCP3581T	2,659	E2	14.61	62	230/460	1.5	C	2, 46, 48
1 1/2	1800	6000	145TC	TENV	ZDVSNCP3584T	2,777	E2	14.61	64	230/460	2.1	C	2, 46, 48
2	1800	6000	145TC	TENV	ZDVSNCP3587T	3,050	E2	14.61	71	230/460	2.7	C	2, 46, 48
3	1800	2700	182TC	TEFC	ZDVSCP3661T	3,440	E2	15.62	131	230/460	3.8	C	2, 46, 48
5	1800	2700	L184TC	TEFC	ZDVSCP3665T	3,733	E2	17.12	154	230/460	6.4	C	2, 46, 48
7 1/2	1800	2700	213TC	TEFC	ZDVSCP3770T	4,325	E2	19.25	198	230/460	9.6	C	2, 46, 48
10	1800	2700	L215TC	TEFC	ZDVSCP3774T	4,733	E2	20.12	216	230/460	12.4	C	2, 46, 48
15	1800	2700	254TC	TEFC	ZDVSCP2333T	5,662	E2	24.50	356	230/460	18.4	C	2, 46, 48
20	1800	2700	256TC	TEFC	ZDVSCP2334T	6,013	E2	24.50	364	230/460	25.5	C	2, 46, 48
25	1800	2700	284TC	TEFC	ZDVSCP4103T	7,192	E2	27.44	469	230/460	31	C	2, 46, 48
30	1800	2700	286TC	TEFC	ZDVSCP4104T	7,724	E2	27.44	479	230/460	38.1	C	2, 46, 48
40	1800	2700	324T	TEFC	ZDVSCP4110T	8,859	E2	30.44	737	230/460	49.8	C	2, 46, 48
50	1800	2700	326T	TEFC	ZDVSCP4115T	10,468	E2	30.44	746	230/460	62.5	C	2, 46, 48

(a) See notes on inside back flap.

**CONTINUOUS CONSTANT TORQUE TO ZERO SPEED**

■ Cast Iron Frame

**V\*S Master Encoder Feedback Kits**

Encoder kits below feature 1024 pulses per revolution unless otherwise noted in the encoder type column. Connector styles include the MS twist lock (MS-TL), military style 10 pin screw tight (MS-ST), and the EPIC latch style (Latch). HS35, RAHS35M and HSD35 feature hollow shaft mounting. The HSD35 carry the Northstar brand. Encoder kits include the encoder and all mounting hardware. IDVSM & IDRPM kits include the mating connector.

Catalog Number	Motor Enclosure	Type	PPR	Frame Size	Mfg.	Mag or Optical	Conn Type	Input Voltage VDC	List Price	Mult. Sym.	Ap'x. Shpg. Wgt.
K99G72	TENV	HS35	1024	180T-250T	BEI	0	MS-ST	5-15	1,400	E8	6
K99G74	TENV	HS35-2048	2048	180T-250T	BEI	0	MS-ST	5-15	1,400	E8	6
K99G76	TENV	HS35	1024	180T-250T	BEI	0	MS-ST	5-24	1,400	E8	6
K99G70	TENV	RAHS35M	1024	180T-250T	Avtron	M	MS-ST	5-24	1,400	E8	9
K99G78	TENV	HSD35	1024	180T-250T	Dynapar	0	Latch	5-26	1,575	E8	8
K99G73	TEFC	HS35	1024	180T-440T	BEI	0	MS-ST	5-15	1,400	E8	6
K99G75	TEFC	HS35-2048	2048	180T-440T	BEI	0	MS-ST	5-24	1,400	E8	6
K99G77	TEFC	HS35	1024	180T-440T	BEI	0	MS-ST	5-24	1,400	E8	6
K99G71	TEFC	RAHS35M	1024	180T-440T	Avtron	M	MS-ST	5-24	1,400	E8	9
K99G79	TEFC	HSD35	1024	180T-440T	Dynapar	0	Latch	5-26	1,575	E8	8
K99G80	TENV	HS35	1024	180T-250T	BEI	0	MS-TL	5-28	1,400	E8	6
K99G81	TEFC	HS35	1024	180T-440T	BEI	0	MS-TL	5-28	1,400	E8	6

**NOTE:** For 56 and 140 IDVSM frame sizes use the kits from the IDM product table.

Farm Duty Motors

Definite Purpose Motors

Unit Handling Motors

Brake Motors

200 & 575 Volt Motors

IEC Frame Motors

50 Hertz Motors

Inverter/Vector Motors & Controls

DC Motors and Controls

Soft Start & Dynamic Brakes



**Inverter,  
Three Phase,  
TEBC and TENV,  
C-Face,  
Foot Mounted**

**1/3 thru 200 Hp**

**NEMA 56C thru 447T**

**Applications:** Conveyors, pumps, fans, metal processing, compressors, test stands, and material handling equipment.

**Features:** Designed for inverter or vector applications where up to a 1000:1 constant torque speed range is required. Compatible with optional encoder feedback devices for use in closed loop velocity or position control. Meets NEMA MG 1, Part 31. Encoder has mating connector.



Hp	RPM	Max. RPM	NEMA Frame	Encl.	Catalog Number	List Price	Mult. Sym.	"C" Dim.	Aprx. Wt. (lb)	Full Load Efficiency	Voltage	Full Load Amps	EISA Status (a)	Notes (a)
1/3	1800	6000	56C	TENV	IDNM3534	436	E2	13.84	29	76	230/460	0.6	C	2, 8, 60
1/2	1800	6000	56C	TENV	IDNM3538	510	E2	13.84	32	75.5	230/460	0.8	C	2, 8, 60
3/4	1800	6000	56C	TENV	IDNM3542	568	E2	13.84	31	78.5	230/460	1.4	C	2, 8, 60
1	1800	6000	143TC	TEBC	IDM3581T	1,531	E2	19.15	64	87.5	230/460	1.5	A	2, 8, 55, 70
			143TC	TEBC	IDM3581T-5	1,531	E2	19.15	61	86.5	575	1.1	A	2, 8, 55, 70
			143TC	TENV	IDNM3581T	1,159	E2	14.65	59	81.5	230/460	1.6	C	2, 8, 60
1 1/2	1800	6000	145TC	TEBC	IDM3582T	1,798	E2	19.15	67	82.5	230/460	1.8	A	2, 8, 55, 70
			145TC	TEBC	IDM3584T	1,619	E2	19.15	69	88.5	230/460	2.1	A	2, 8, 55, 70
			145TC	TEBC	IDM3584T-5	1,619	E2	19.15	62	87.5	575	1.7	A	2, 8, 55, 70
1 1/2	1200	2800	145TC	TENV	IDNM3584T	1,279	E2	14.65	57	84	230/460	2.3	C	2, 8, 60
			182TC	TEBC	IDM3667T	2,022	E2	21.71	111	86.5	230/460	2.6	A	2, 8, 55, 70
			145TC	TEBC	IDM3587T	1,731	E2	19.15	73	88.5	230/460	2.7	A	2, 8, 55, 70
2	1800	6000	145TC	TEBC	IDM3587T-5	1,731	E2	19.15	71	86.5	575	2	A	2, 8, 55, 70
			145TC	TENV	IDNM3587T	1,336	E2	14.65	64	84	230/460	2.7	C	2, 8, 60
			182TC	TENV	IDNM3669T	1,551	E2	17.21	96	84	230/460	2.9	C	2, 8, 60
2	1200	2800	184TC	TEBC	IDM3664T	2,077	E2	21.71	116	87.5	230/460	3.6	A	2, 8, 55, 70
			184TC	TEBC	IDM3661T	2,212	E2	21.71	109	89.5	230/460	4	A	2, 8, 55, 70
			184TC	TEBC	IDM3661T-5	2,212	E2	21.71	103	89.5	575	3.2	A	2, 8, 55, 70
3	1800	6000	184TC	TENV	IDNM3661T	1,751	E2	17.21	105	88.5	230/460	4	C	2, 8, 60
			213TC	TEBC	IDM3764T	2,717	E2	29.14	172	89.5	230/460	5	A	2, 8, 70
			184TC	TEBC	IDM3665T	2,340	E2	21.71	120	90.2	230/460	6.5	A	2, 8, 55, 70
5	1800	6000	184TC	TEBC	IDM3665T-5	2,340	E2	21.71	120	90.2	575	5.2	A	2, 8, 55, 70
			184TC	TENV	IDNM3665T	1,953	E2	17.21	112	89.5	230/460	6.6	C	2, 8, 60
			213TC	TENV	IDNM3767T	2,177	E2	20.40	166	89.5	230/460	6.7	C	2, 8, 60
7 1/2	1800	4000	215TC	TEBC	IDM3768T	3,326	E2	29.14	200	88.5	230/460	8	A	2, 8, 70
			213TC	TEBC	IDM3770T	2,821	E2	29.14	176	91.7	230/460	9.5	A	2, 8, 70
			213TC	TEBC	IDM3770T-5	2,821	E2	30.07	185	91.7	575	7.5	A	2, 8, 70
7 1/2	6000	213TC	TENV	IDNM3770T	2,260	E2	20.40	196	91.7	230/460	10.1	C	2, 8, 60	
			254TC	TENV	IDNM2237T	2,708	E2	24.05	238	90.2	230/460	9.1	C	2, 8, 60
			254TC	TEBC	IDM2276T	4,782	E2	33.07	286	91.7	230/460	10.7	A	2, 8, 70
10	1800	6000	215TC	TEBC	IDM3774T	3,022	E2	29.14	219	92.4	230/460	12.5	A	2, 8, 70
			215TC	TEBC	IDM3774T-5	3,022	E2	30.07	196	92.4	575	9.8	A	2, 8, 70
			256TC	TENV	IDNM2238T	2,833	E2	24.05	281	91.7	230/460	13	C	2, 8, 60
15	1800	5000	256TC	TEBC	IDM2332T	5,842	E2	33.07	328	91.7	230/460	14.2	A	2, 8, 70
			254TC	TENV	IDNM2333T	2,918	E2	24.05	286	94.1	230/460	18.5	C	2, 8, 60
			256TC	TEBC	IDM2333T	3,285	E2	33.07	255	92.4	230/460	18.5	A	2, 8, 70
15	1200	4000	256TC	TEBC	IDM2333T-5	3,285	E2	34.15	255	92.4	575	14.8	A	2, 8, 70
			284T	TEBC	IDM4100T	6,926	E2	36.48	422	93	230/460	19.7	A	2, 8, 45, 70
			256TC	TEBC	IDM2334T	3,509	E2	33.07	286	93	230/460	24	A	2, 8, 70
20	1800	5000	256TC	TEBC	IDM2334T-5	3,509	E2	34.15	286	93	575	19	A	2, 8, 70
			284T	TENV	IDNM2334T	4,032	E2	27.36	410	94.5	230/460	25.5	C	2, 8, 45, 60
			286T	TEBC	IDM4102T	7,798	E2	36.48	451	93	230/460	26	A	2, 8, 45, 70

(a) See notes on inside back flap.

Constant velocity fan: 115 volts, single phase from 143TC through 184TC and all 575 volt drive motors.

Constant velocity fan: 230/460, three phase from 213 TC through 447T.

May be converted to C-Face in Mod Express or built as custom motors.

Consult District Office for availability of 2 pole motors and C-Face motors for 284T through 5009L frames.

**1000:1 CONSTANT TORQUE SPEED RANGE**

■ Cast Iron Frame

Farm Duty Motors

Definite Purpose Motors

Unit Handling Motors

Brake Motors

200 & 575 Volt Motors

IEC Frame Motors

50 Hertz Motors

Inverter/Vector Motors & Controls

DC Motors and Controls

Soft Starters & Dynamic Brakes

**Inverter, Three Phase, TEBC and TENV, C-Face, Foot Mounted**

Hp	RPM	Max. RPM	NEMA Frame	Encl.	Catalog Number	List Price	Mult. Sym.	"C" Dim.	Aprx. Wt. (lb)	Full Load Efficiency	Voltage	Full Load Amps	EISA Status <sup>(a)</sup>	Notes <sup>(a)</sup>
25	1800	4000	286T	TEBC	<b>IDM4103T</b>	4,327	E2	36.48	424	93.6	230/460	30	A	2, 8, 45, 70
	1200	3900	324T	TEBC	<b>IDM4111T</b>	8,887	E2	39.24	565	93	230/460	32	A	2, 8, 45, 70
30	1800	4000	286T	TEBC	<b>IDM4104T</b>	4,963	E2	36.48	455	94.1	230/460	36	A	2, 8, 45, 70
	1200	3900	326T	TEBC	<b>IDM4117T</b>	9,891	E2	39.24	596	93	230/460	38	A	2, 8, 45, 70
40	1800	3900	324T	TEBC	<b>IDM4110T</b>	6,712	E2	39.24	608	94.5	230/460	47	A	2, 8, 45, 70
50	1800	3900	326T	TEBC	<b>IDM4115T</b>	7,533	E2	39.24	632	94.5	230/460	57	A	2, 8, 45, 70
75	1200	2800	405T	TEBC	<b>IDM4404T</b>	17,902	E2	46.68	1165	95	230/460	88	A	2, 8, 45, 70
150	1800	2400	445T	TEBC	<b>IDM4406T-4</b>	23,285	E2	51.98	1630	95.8	460	173	A	2, 8, 45, 70

<sup>(a)</sup> See notes on inside back flap.

Constant velocity fan: 115 volts, single phase from 143TC through 184TC and all 575 volt drive motors.

Constant velocity fan: 230/460, three phase from 213 TC through 447T.

May be converted to C-Face in Mod Express or built as custom motors.

Consult District Office for availability of 2 pole motors and C-Face motors for 284T through 5009L frames.

**1000:1 CONSTANT TORQUE SPEED RANGE**

■ Cast Iron Frame

Farm Duty Motors

Definite Purpose Motors

Unit Handling Motors

Brake Motors

200 & 575 Volt Motors

IEC Frame Motors

50 Hertz Motors

Inverter/Vector Motors & Controls

DC Motors and Controls

Soft Start & Dynamic Brakes

**Inverter Motor,  
Paint Free,  
Three Phase,  
Totally Enclosed,  
C-Face**

**1/2 thru 10 Hp**

**NEMA 56C thru 215TC**

**Applications:** Conveyors, pumps and other equipment in food processing and severe environments where motors receive washdown on a regular basis.

**Features:** Includes all the advantages of our standard "Paint Free" washdown duty motors. Specifically designed and built for use on adjustable speed drives. For adjustable speed applications not requiring full torque at zero speed. Not encoder adaptable. 1.00 Service Factor. Class "H" insulated.



Hp	RPM	Max. RPM	NEMA Frame	Encl.	Catalog Number	List Price	Mult. Sym.	"C" Dim.	Aprx. Wt. (lb)	Full Load Efficiency	Voltage	Full Load Amps	EISA Status (a)	Notes (a)
<b>C-Face, Foot Mounted</b>														
1/2	1800	6000	56C	TENV	<b>IDCSWDM3538</b>	1,367	E2	11.06	29	82.5	208-230/460	0.8	C	48
3/4	1800	6000	56C	TENV	<b>IDCSWDM3542</b>	1,548	E2	11.06	36	82.5	208-230/460	1.1	C	48
1	1800	3600	56C	TENV	<b>IDCSWDM3546</b>	1,607	E2	12.06	39	85.5	208-230/460	1.4	C	48
			143TC	TENV	<b>IDCSWDM3546T</b>	1,607	E2	12.12	42	85.5	208-230/460	1.4	C	48
1 1/2	1800	4000	56C	TEFC	<b>IDCSWDM3554</b>	1,719	E2	14.12	45	88.5	230/460	2.1	C	48
			145TC	TEFC	<b>IDCSWDM3554T</b>	1,719	E2	14.17	44	88.5	230/460	2.1	A	48
2	1800	3600	56C	TEFC	<b>IDCSWDM3558</b>	1,836	E2	14.12	47	86.5	230/460	2.5	C	48
		4500	145TC	TEFC	<b>IDCSWDM3558T</b>	1,836	E2	13.29	52	86.5	230/460	2.9	A	48
3	1800	6000	182TC	TEFC	<b>IDCSWDM3611T</b>	2,014	E2	16.56	74	89.5	230/460	4	A	48
5	1800	6000	184TC	TEFC	<b>IDCSWDM3615T</b>	2,343	E2	18.06	93	90.2	230/460	6.4	A	48
7 1/2	1800	6000	213TC	TEFC	<b>IDCSWDM3710T</b>	3,548	E2	19.81	140	91.7	230/460	9.5	A	48
10	1800	6000	215TC	TEFC	<b>IDCSWDM3714T</b>	4,057	E2	21.31	187	92.4	230/460	12.5	A	48
<b>C-Face, Footless</b>														
1/2	1800	6000	56C	TENV	<b>IDVSWDM3538</b>	1,356	E2	11.07	29	82.5	230/460	0.8	C	48
3/4	1800	6000	56C	TENV	<b>IDVSWDM3542</b>	1,541	E2	12.06	36	78.5	230/460	1	C	48
1	1800	3600	56C	TENV	<b>IDVSWDM3546</b>	1,599	E2	12.06	39	85.5	208-230/460	1.4	C	48
		6000	143TC	TENV	<b>IDVSWDM3546T</b>	1,599	E2	12.12	39	85.5	208-230/460	1.5	C	48
1 1/2	1800	4000	56C	TEFC	<b>IDVSWDM3554</b>	1,710	E2	14.12	49	88.5	230/460	2.1	C	48
			145TC	TEFC	<b>IDVSWDM3554T</b>	1,710	E2	14.17	51	88.5	230/460	2.1	B	48
2	1800	3600	56C	TEFC	<b>IDVSWDM3558</b>	1,821	E2	14.12	49	86.5	230/460	2.5	C	48
		4500	145TC	TEFC	<b>IDVSWDM3558T</b>	1,821	E2	13.29	49	86.5	230/460	2.9	B	48
3	1800	6000	182TC	TEFC	<b>IDVSWDM3611T</b>	1,915	E2	16.56	73	89.5	230/460	4	B	48
5	1800	6000	184TC	TEFC	<b>IDVSWDM3615T</b>	2,232	E2	18.06	101	90.2	230/460	6.4	B	48

(a) See notes on inside back flap.

Farm Duty Motors

Definite Purpose Motors

Unit Handling Motors

Brake Motors

200 & 575 Volt Motors

IEC Frame Motors

50 Hertz Motors

Inverter/Vector Motors & Controls

DC Motors and Controls

Soft Starters & Dynamic Brakes

**Inverter,  
Explosion Proof,  
Three Phase, TEFC,  
Class I, Group D**

**1/2 thru 75 Hp**

**NEMA 56C thru 405T**

**Applications:** Designed for use in hazardous locations with Inverters.



**Features:** UL and CSA approved for hazardous locations. 1/3 through 2 Hp Class I, Group D, Class II, Groups F & G, Temperature Code T3C (160°C). 3 Hp and larger, Class I, Group D only, Temperature Code T2B (280°C). Class F insulation, ISR (Inverter Spike Resistant) magnet wire, 1.0 service factor, thermostats. All ratings constant horsepower 60 to 90 Hz. Not encoder adaptable. Meets NEMA MG 1, Part 31.

Hp	RPM	Max. RPM	NEMA Frame	Catalog Number	XP <sup>(a)</sup> Cls/Grp	List Price	Mult. Sym.	"C" Dim.	Aprx. Wt. (lb)	Full Load Efficiency	Voltage	Full Load Amps	EISA Status <sup>(b)</sup>	Notes <sup>(b)</sup>
<b>2:1 Constant Torque, 10:1 Variable Torque Ratings</b>														
3	1800	2700	182TC	<b>IDXM7142T</b>	Ⓢ	1,512	E2	18.24	142	88.5	230/460	4.2	A	2, 20
5	1800	2700	184TC	<b>IDXM7144T</b>	Ⓢ	1,798	E2	18.24	158	89.5	230/460	6.5	A	2, 20
7 1/2	1800	2700	213TC	<b>IDXM7147T</b>	Ⓢ	2,261	E2	20.69	228	91	230/460	9.5	A	2, 20
10	1800	2700	215TC	<b>IDXM7170T</b>	Ⓢ	3,100	E2	20.69	196	92.4	208-230/460	12.5	A	2, 20
15	1800	2700	254TC	<b>IDXM7054T</b>	Ⓢ	3,550	E2	26.00	356	92.4	230/460	18	A	2, 20
20	1800	3600	256TC	<b>IDXM7056T</b>	Ⓢ	4,606	E2	26.00	393	93	230/460	24	A	2, 20
25	1800	2700	284T	<b>IDXM7058T</b>	Ⓢ	5,458	E2	28.61	541	93.6	230/460	30.5	A	2, 20
30	1800	2700	286T	<b>IDXM7060T</b>	Ⓢ	6,657	E2	28.61	561	94.1	230/460	36	A	2, 20
40	1800	2700	324T	<b>IDXM7062T</b>	Ⓢ	8,917	E2	32.12	782	94.5	230/460	46	A	2, 20
50	1800	2700	326T	<b>IDXM7064T</b>	Ⓢ	10,374	E2	32.12	785	94.5	230/460	57	A	2, 20
60	1800	2700	364T	<b>IDXM7066T</b>	Ⓢ	11,845	E2	33.25	967	95	230/460	69	A	2, 20
75	1800	2700	405T	<b>IDXM7068T</b>	Ⓢ	13,131	E2	38.75	1259	94.1	230/460	85	A	2, 20, 45
<b>10:1 Constant Torque and Variable Torque Ratings</b>														
1/3	1800	2700	56C	<b>IDXM7002</b>	Ⓢ	1,049	E2	14.30	45	80	230/460	0.6	C	2, 20
1/2	1800	2700	56C	<b>IDXM7006</b>	Ⓢ	1,078	E2	14.30	39	82.5	230/460	0.8	C	2, 20
3/4	1800	2700	56C	<b>IDXM7010</b>	Ⓢ	1,102	E2	14.30	43	84	230/460	1.1	C	2, 20
1	1800	2700	143TC	<b>IDXM7014T</b>	Ⓢ	1,227	E2	15.23	51	87.5	230/460	1.5	A	2, 20
1 1/2	1800	2700	145TC	<b>IDXM7034T</b>	Ⓢ	1,271	E2	16.10	60	88.5	230/460	2.1	A	2, 20
2	1800	2700	145TC	<b>IDXM7037T</b>	Ⓢ	1,390	E2	17.48	67	88.5	230/460	2.6	A	2, 20
3	1800	2700	182TC	<b>IDXM7542T</b>	Ⓢ	1,586	E2	18.24	147	89.5	230/460	4	A	2, 20
5	1800	2700	213TC	<b>IDXM7544T</b>	Ⓢ	2,311	E2	20.65	212	90.2	230/460	6.3	A	2, 20
7 1/2	1800	2700	215TC	<b>IDXM7547T</b>	Ⓢ	3,249	E2	20.65	225	91.7	230/460	9.5	A	2, 20
10	1800	2700	254TC	<b>IDXM7570T</b>	Ⓢ	3,636	E2	26.00	378	91.7	230/460	13	A	2, 20
15	1800	2700	256TC	<b>IDXM7554T</b>	Ⓢ	4,715	E2	26.00	381	92.4	230/460	17	A	2, 20
20	1800	2700	284T	<b>IDXM7556T</b>	Ⓢ	5,718	E2	28.61	523	90.2	230/460	24.5	A	2, 20
25	1800	2700	324T	<b>IDXM7558T</b>	Ⓢ	6,885	E2	32.12	742	91.7	230/460	30	A	2, 20
30	1800	3900	326T	<b>IDXM7560T</b>	Ⓢ	8,013	E2	32.12	747	94.5	230/460	35	A	2, 20
40	1800	2700	364T	<b>IDXM7562T</b>	Ⓢ	8,963	E2	33.25	913	93.6	230/460	46	A	2, 20
50	1800	2700	365T	<b>IDXM7564T</b>	Ⓢ	11,181	E2	33.25	971	93.6	230/460	61	A	2, 20
60	1800	2700	405T	<b>IDXM7566T</b>	Ⓢ	13,245	E2	38.75	1265	93.6	230/460	69	A	2, 20

<sup>(a)</sup> See explosion proof symbols on inside back flap.

<sup>(b)</sup> See notes on inside back flap.

■ Cast Iron Frame

Farm Duty Motors

Definite Purpose Motors

Unit Handling Motors

Brake Motors

200 & 575 Volt Motors

IEC Frame Motors

50 Hertz Motors

Inverter/Vector Motors & Controls

DC Motors and Controls

Soft Start & Dynamic Brakes

**Vector,  
Three Phase,  
TEBC and TENV,  
C-Face**

**1 thru 150 Hp**

**NEMA 56 thru 445T**

**Applications:** Test stands, material handling, packaging equipment, printing presses, etc.

**Features:** Applications requiring adjustable speed operation with full torque from zero to base speed and constant horsepower to maximum speed. Includes HS25 or HS35 encoder feedback with MS connector. Meets NEMA MG 1, Part 31.



Hp	RPM	Max. RPM	NEMA Frame	Encl.	Catalog Number	List Price	Mult. Sym.	"C" Dim.	Aprx. Wt. (lb)	Full Load Efficiency	Voltage	Full Load Amps	EISA Status <sup>(a)</sup>	Notes <sup>(a)</sup>		
1	1800	6000	143TC	TEBC	ZDM3581T	2,902	E2	19.15	65	87.5	230/460	1.5	A	2, 8, 46, 55, 60, 70		
			143TC	TEBC	ZDM3581T-5	2,902	E2	19.15	64	86.5	575	1.1	A	2, 8, 46, 55, 70		
			143TC	TENV	ZDNM3581T	2,532	E2	14.65	56	81.5	230/460	1.6	C	2, 8, 46, 55		
1 1/2	1800	6000	143TC	TEBC	ZDM3582T	3,169	E2	19.15	66	82.5	230/460	1.8	A	2, 8, 46, 55, 70		
			145TC	TEBC	ZDM3584T	2,991	E2	19.15	63	88.5	230/460	2.1	A	2, 8, 46, 55, 60, 70		
			145TC	TEBC	ZDM3584T-5	2,991	E2	19.15	68	87.5	575	1.7	A	2, 8, 46, 55		
1 1/2	1200	2800	145TC	TENV	ZDNM3584T	2,650	E2	14.65	58	84	230/460	2.3	C	2, 8, 46, 55		
			182TC	TEBC	ZDM3667T	3,394	E2	21.71	110	86.5	230/460	2.6	A	2, 8, 46, 55, 70		
			145TC	TEBC	ZDM3587T	3,101	E2	19.02	75	88.5	230/460	2.8	A	2, 8, 46, 55, 70		
2	1800	6000	145TC	TEBC	ZDM3587T-5	3,101	E2	19.15	69	86.5	575	2	A	2, 8, 46, 55, 70		
			182TC	TENV	ZDNM3669T	2,923	E2	17.21	94	84	230/460	2.9	C	2, 8, 46, 55, 60		
			184TC	TEBC	ZDM3664T	3,450	E2	21.71	118	87.5	230/460	3.6	A	2, 8, 46, 55, 70		
2	1200	2800	182TC	TEBC	ZDM3661T	3,584	E2	21.71	106	89.5	230/460	4	A	2, 8, 46, 55, 70		
			182TC	TEBC	ZDM3661T-5	3,584	E2	21.71	105	89.5	575	3.2	A	2, 8, 46, 55, 70		
			184TC	TENV	ZDNM3661T	3,124	E2	17.21	108	88.5	230/460	4	C	2, 8, 46, 55, 60		
3	1800	6000	213TC	TEBC	ZDM3764T	4,088	E2	29.14	174	89.5	230/460	5	A	2, 8, 46, 70		
			184TC	TEBC	ZDM3665T	3,711	E2	21.71	121	90.2	230/460	6.5	A	2, 8, 46, 55, 70		
			184TC	TEBC	ZDM3665T-5	3,711	E2	21.71	123	90.2	575	5.2	A	2, 8, 46, 55, 70		
3	1200	2800	213TC	TENV	ZDNM3767T	3,548	E2	20.40	167	91	230/460	6.7	C	2, 8, 46, 60		
			215TC	TEBC	ZDM3768T	4,698	E2	29.14	200	88.5	230/460	8	A	2, 8, 46, 70		
			213TC	TEBC	ZDM3770T	4,192	E2	29.14	177	91.7	230/460	9.5	A	2, 8, 46, 70		
7 1/2	1800	4000	213TC	TEBC	ZDM3770T-5	4,192	E2	30.07	169	91.7	575	7.5	A	2, 8, 46, 70		
			256TC	TENV	ZDNM2237T	4,080	E2	24.05	250	90.2	230/460	9.1	C	2, 8, 46, 60		
			254TC	TEBC	ZDM2276T	6,154	E2	33.07	282	91.7	230/460	10.7	A	2, 8, 46, 70		
10	1800	6000	215TC	TEBC	ZDM3774T	4,393	E2	29.14	196	92.4	230/460	12.5	A	2, 8, 46, 70		
			4000	215TC	TEBC	ZDM3774T-5	4,393	E2	30.07	196	92.4	575	9.8	A	2, 8, 46, 70	
			5000	256TC	TENV	ZDNM2238T	4,206	E2	24.05	289	91.7	230/460	13	C	2, 8, 46, 60	
10	1200	2800	256TC	TEBC	ZDM2332T	7,213	E2	33.07	324	91.7	230/460	14.2	A	2, 8, 46, 70		
			254TC	TENV	ZDNM2333T	4,290	E2	24.05	286	94.1	230/460	18.5	C	2, 8, 46, 60		
			256TC	TEBC	ZDM2333T	4,657	E2	33.07	301	92.4	230/460	18.5	A	2, 8, 46, 70		
15	1800	5000	256TC	TEBC	ZDM2333T-5	4,657	E2	34.15	310	92.4	575	14.8	A	2, 8, 46, 70		
			1200	4000	284T	TEBC	ZDM4100T	8,296	E2	36.48	426	93	230/460	19.7	A	2, 8, 45, 46, 70
			256TC	TEBC	ZDM2334T	4,882	E2	33.07	326	93	230/460	24	A	2, 8, 46, 70		
20	1800	5000	256TC	TEBC	ZDM2334T-5	4,882	E2	34.15	286	93	575	19	A	2, 8, 46, 70		
			4000	284T	TENV	ZDNM2334T	5,404	E2	27.36	420	94.5	230/460	25.5	C	2, 8, 45, 46, 60	
			1200	4000	286T	TEBC	ZDM4102T	9,171	E2	36.48	476	93	230/460	26	A	2, 8, 45, 46, 70
25	1800	4000	284T	TEBC	ZDM4103T	5,697	E2	36.48	424	93.6	230/460	30	A	2, 8, 45, 46, 70		
			1200	3900	324T	TEBC	ZDM4111T	10,260	E2	39.24	566	93	230/460	32	A	2, 8, 45, 46, 70
30	1800	4000	286T	TEBC	ZDM4104T	6,336	E2	36.48	452	94.1	230/460	36	A	2, 8, 45, 46, 70		
			1200	3900	326T	TEBC	ZDM4117T	11,263	E2	39.24	594	93	230/460	38	A	2, 8, 45, 46, 70
40	1800	3900	324T	TEBC	ZDM4110T	8,082	E2	39.24	606	94.5	230/460	47	A	2, 8, 45, 46, 70		
50	1800	3900	326T	TEBC	ZDM4115T	8,905	E2	39.24	679	94.5	230/460	57	A	2, 8, 45, 46, 70		
150	1800	2400	445T	TEBC	ZDM4406T-4	24,658	E2	51.98	1798	95.8	460	173	A	2, 8, 45, 46, 70		

<sup>(a)</sup> See notes on inside back flap.

Consult District Office for availability of 2 pole motors and C-Face motors for 284T through 5009L frames.

**FULL TORQUE AT ZERO SPEED, 1000:1 CONSTANT TORQUE SPEED RANGE.**

■ Cast Iron Frame

Farm Duty Motors

Definite Purpose Motors

Unit Handling Motors

Brake Motors

200 & 575 Volt Motors

IEC Frame Motors

50 Hertz Motors

Inverter/Vector Motors & Controls

DC Motors and Controls

Soft Starters & Dynamic Brakes

**BALDOR • RELIANCE**

**Inverter Motor,  
Three Phase,  
TENV, C-Face,  
Foot Mounted**

**1 thru 10 Hp**

**NEMA 143TC thru 254TC**

**Applications:** Conveyors, pumps and other equipment in food processing and other wet environments.



**Features:** Designed for inverter or vector applications where up to a 1000:1 constant torque speed range is required. Provisions for mounting optional HS25 encoder feedback devices shown on page 236 for use in closed loop velocity or position control. Meets NEMA MG 1, Part 31. 1.00 Service Factor. Class “H” insulated.

Hp	RPM	Max. RPM	NEMA Frame	Catalog Number	List Price	Mult. Sym.	“C” Dim.	Aprx. Wt. (lb)	Full Load Efficiency	Voltage	Full Load Amps	EISA Status (a)	Notes (a)
1	1800	6000	143TC	IDWNM3546T	1,367	E2	14.90	39	86.5	230/460	1.4	C	48
1 1/2	1800	4500	145TC	IDWNM3554T	1,506	E2	15.78	50	86.5	230/460	2.1	C	48
2	1800	6000	182TC	IDWNM3609T	1,659	E2	17.77	69	84	230/460	2.9	C	48
3	1800	6000	184TC	IDWNM3611T	1,807	E2	17.77	80	88.5	230/460	4	C	48
5	1800	4000	213TC	IDWNM3707T	2,045	E2	19.84	122	89.5	230/460	6.7	C	48
7 1/2	1800	5000	254TC	IDWNM22937T	3,168	E2	23.92	242	91	230/460	9.1	C	48
10	1800	5000	254TC	IDWNM22938T	3,710	E2	23.92	291	91.7	230/460	12	C	48

(a) See notes on inside back flap.

**1000:1 CONSTANT TORQUE SPEED RANGE.**

**Vector Motor,  
Three Phase,  
TENV, C-Face,  
Foot Mounted**

**1 thru 10 Hp**

**NEMA 143TC thru 254TC**

**Applications:** Material handling, packaging equipment in food processing and other wet environments.



**Features:** Designed for inverter or vector applications where up to a 1000:1 constant torque speed range is required. Motors include 1024 PPR HS25 encoder feedback with MS connector. Meets NEMA MG 1, Part 31. 1.00 Service Factor. Class “H” insulated.

Hp	RPM	Max. RPM	NEMA Frame	Catalog Number	List Price	Mult. Sym.	“C” Dim.	Aprx. Wt. (lb)	Full Load Efficiency	Voltage	Full Load Amps	EISA Status (a)	Notes (a)
1	1800	6000	143TC	ZDWNM3546T	2,739	E2	14.90	42	85.5	230/460	1.5	C	48
1 1/2	1800	4500	145TC	ZDWNM3554T	2,878	E2	15.78	55	86.5	230/460	2.1	C	48
2	1800	6000	182TC	ZDWNM3609T	3,031	E2	17.77	71	84	230/460	2.9	C	48
3	1800	6000	184TC	ZDWNM3611T	3,182	E2	17.77	79	88.5	230/460	4	C	48
5	1800	6000	213TC	ZDWNM3707T	3,419	E2	19.84	125	89.5	230/460	6.7	C	48
7 1/2	1800	5000	254TC	ZDWNM22937T	4,543	E2	23.92	240	91	230/460	9.1	C	48
10	1800	5000	254TC	ZDWNM22938T	5,085	E2	23.92	292	91.7	230/460	12	C	48

(a) See notes on inside back flap.

**1000:1 CONSTANT TORQUE SPEED RANGE.**

Farm Duty Motors

Definite Purpose Motors

Unit Handling Motors

Brake Motors

200 & 575 Volt Motors

IEC Frame Motors

50 Hertz Motors

Inverter/Vector Motors & Controls

DC Motors and Controls

Soft Start & Dynamic Brakes



**Inverter Gear Motor - 3/8 Hp  
Right Angle and  
Parallel Shaft -TEFC**



**Applications:** Ideally suited for conveyors, material handling, packaging equipment applications requiring adjustable speed and no maintenance. Available in a broad range of gear ratios to meet your demanding application needs.

**Features:** Superior insulation system designed to comply with NEMA MG-1 part 31 for inverter power. IP44 environmental protection. Designed for use on Baldor Series 15J, 15P and Series 5 Inverters operating on 230 volts output. Both Parallel shaft and Right Angle gearmotors are lubricated for life and require no routine maintenance. Right Angle gearmotors feature our internal oil expansion bladder which eliminates the need for a breather while allowing the gearmotor to be mounted in any position (see note below).

Input Motor Hp	Output RPM 60 Hz.	Gear Ratio	Speed Range	Maximum Safe Torque In-Lbs @ 60 Hz	Catalog Number	List Price	Mult. Sym.	Ap'x. Shpg. Wgt.	Motor Type & Gear Style	Volt Code
<b>Right Angle</b>										
3/8	22	75	3.4-33	315	<b>IDGM2509</b>	675	E2	22	2528M-K	C
	28	60	4.5-41	252	<b>IDGM2508</b>	675	E2	22	2528M-K	C
	41	40	6.6-62	228	<b>IDGM2506</b>	675	E2	22	2528M-K	C
	83	20	12-123	138	<b>IDGM2503</b>	675	E2	22	2528M-K	C
	165	10	23-246	105	<b>IDGM2501</b>	675	E2	22	2528M-K	C
	330	5	43-490	68	<b>IDGM2500</b>	675	E2	22	2528M-K	C
<b>Parallel Shaft</b>										
3/8	55	30	8.0-82	350	<b>IDGMP2505</b>	654	E2	20	2528M-PS	C
	83	20	12-123	233	<b>IDGMP2503</b>	616	E2	20	2528M-PS	C
	165	10	23-246	116	<b>IDGMP2501</b>	616	E2	20	2528M-PS	C
	330	5	43-490	58	<b>IDGMP2500</b>	616	E2	20	2528M-PS	C

**NOTE:** Avoiding those positions where the high speed oil seal is immersed in oil, will provide greater security against seal wear. Vertical motor below gearbox mounting is possible with modification, contact Baldor for details. Voltage: @ 60 Hz: C = 230 volts

Farm Duty Motors

Definite Purpose Motors

Unit Handling Motors

Brake Motors

200 & 575 Volt Motors

IEC Frame Motors

50 Hertz Motors

Inverter/Vector Motors & Controls

DC Motors and Controls

Soft Starters & Dynamic Brakes

## Feedback Cable Assembly with MS Connector



For the convenience of our customers, we offer a connector plug/cable assembly for Vector and DC motors. This assembly provides the connection from the encoder to the control. The twisted pair shielded cable provides additional noise protection. The assembly decreases installation time and effort. Recommended for Vector Drive and DC applications. For ZDM, ZDNM, ZDWNM, ZDNRPM, ZDBRPM and ZDVS motors. Uses Baldor style MS twist lock connector.

Catalog Number	Cable Extension Length	List Price	Mult. Sym.	Ap'x Shpg. Wgt.
<b>CBL015ZD-2</b>	5 Ft = 1.5 Meters	192	E8	1
<b>CBL030ZD-2</b>	10 Ft = 3 Meters	223	E8	1
<b>CBL046ZD-2</b>	15 Ft = 4.6 Meters	255	E8	2
<b>CBL061ZD-2</b>	20 Ft = 6.1 Meters	282	E8	2
<b>CBL091ZD-2</b>	30 Ft = 9.1 Meters	344	E8	3
<b>CBL152ZD-2</b>	50 Ft = 15.2 Meters	463	E8	6
<b>CBL229ZD-2</b>	75 Ft = 22.9 Meters	613	E8	8
<b>CBL305ZD-2</b>	100 Ft = 30.5 Meters	764	E8	12
<b>CBL379ZD-2</b>	125 Ft = 37.9 Meters	915	E8	14
<b>CBL455ZD-2</b>	150 Ft = 45.5 Meters	993	E8	2
<b>CBL606ZD-2</b>	200 Ft = 60.6 Meters	1,366	E8	16

## Encoder Feedback Kits for IDM, IDNM and IDWNM Motors

**For use with Legacy Baldor Motor Designs**



Encoder kits below feature 1024 pulses per revolution unless otherwise noted in the encoder type column. Connector styles include the MS twist lock (MS-TL), military style 10 pin screw tight (MS-ST), and the EPIC latch style (Latch). HS35, HS35M and HSD35 feature hollow shaft mounting. The HSD35 carry the Northstar brand. The H20 is a couple mount encoder. The RL67 and SL85 are bearingless encoders and both carry the Northstar brand. Encoder kits include the encoder and all mounting hardware.

Catalog Number	Type Enclosure	Description	Magnetic or Optical	Input Voltage	NEMA Frame	List Price	Ap'x. Mult. Sym.	Shpg. Wgt.
<b>ENC00NV-A2</b>	TENV	HS35M Avtron	Magnetic	5-24 VDC	213T-215T	1,400	E8	1
<b>ENC00NV-B1</b>	TENV	HS25 BEI	Optical	5-15 VDC	56-215T	1,400	E8	2
<b>ENC00NV-D1</b>	TENV	HS35 Dynapar	Optical	5-24 VDC	56-215T	1,575	E8	4
<b>ENC01BC-B1</b>	TEBC	HS25 BEI	Optical	5-15 VDC	143T-215T	1,400	E8	3
<b>ENC01BC-D1</b>	TEBC	HS35 Dynapar	Optical	5-24 VDC	56-215T	1,575	E8	4
<b>ENC01NV-A2</b>	TENV	HS35M Avtron	Magnetic	5-24 VDC	254T-256T	1,400	E8	1
<b>ENC01NV-B2</b>	TENV	HS35 BEI	Optical	5-15 VDC	254T-284T	1,400	E8	4
<b>ENC01NV-D1</b>	TENV	HS35 Dynapar	Optical	5-24 VDC	254T-256T	1,575	E8	4
<b>ENC02BC-A2</b>	TEBC	HS35M Avtron	Magnetic	5-24 VDC	254T-447T	1,400	E8	1
<b>ENC02BC-B2</b>	TEBC	HS35 BEI	Optical	5-15 VDC	254T-447T	1,400	E8	2
<b>ENC02BC-D1</b>	TEBC	HS35 Dynapar	Optical	5-24 VDC	254T-447T	1,575	E8	4

**NOTE:** For 56 and 140 IDVSM frame sizes use the kits from the table above.

**Constant Velocity Blower Cooling Conversion Kits**

**NEMA 143TC thru 447TC**

**For use with Legacy Baldor Motor Designs**



These kits convert TENV or TEFC AC motors to a Totally Enclosed Blower Cooled (TEBC) design. This is advantageous where continuous cooling is required regardless of motor shaft speed. These kits can be mounted on the back of the motor after removing the fan guard and fan. Removing the TEFC fan shaft is not required. Does not fit Athens-built 180-440 M, CP or ECP motors

Voltage	Phase	NEMA Frame	Catalog Number	List Price	Mult. Sym.	Ap'x. Shpg. Wgt.
115	1	143TC-145TC	<b>BLWL05-L</b>	790	E8	7
		182TC-184TC	<b>BLWL06-L</b>	890	E8	8
		213TC-215TC	<b>BLWL07-L</b>	934	E8	13
		254TC-256TC	<b>BLWL09-L</b>	959	E8	5
		284TC-286TC	<b>BLWL10-L</b>	1,037	E8	35
		324TC-326TC	<b>BLWL12-L</b>	1,101	E8	46
		364TC-365TC	<b>BLWL14-L</b>	1,171	E8	55
230/380/460	3	213TC-215TC	<b>BLWM07-F</b>	934	E8	20
		254TC-256TC	<b>BLWM09-F</b>	970	E8	27
		284TC-286TC	<b>BLWM10-F</b>	1,037	E8	35
		324TC-326TC	<b>BLWM12-F</b>	1,101	E8	46
		364TC-365TC	<b>BLWM14-F</b>	1,183	E8	55
		404TC-405TC	<b>BLWM16-F</b>	1,654	E8	70
		444TC-447TC	<b>BLWM18-F</b>	2,317	E8	87

**NOTE:** Blower cooling conversion kits should be further selected by Baldor motor type as noted within the catalog number. As an example: BLWM10-F fits a 310M type also built as a 324-326TC. Does not fit Athens-built 180-440 M, CP or ECP motors.

Farm Duty Motors

Definite Purpose Motors

Unit Handling Motors

Brake Motors

200 & 575 Volt Motors

IEC Frame Motors

50 Hertz Motors

Inverter/Vector Motors & Controls

DC Motors and Controls

Soft Starters & Dynamic Brakes

**BALDOR • RELIANCE**

**BSM-Series  
Brushless Motors  
with Hall Feedback  
C-Face with base**

**1/4 thru 3 Hp**

**NEMA 42-56C**

**Applications:** Conveyors, Pumps, Mixers, Packaging Machinery



**Features:** NEMA 42/56 foot/base mount, Hall sensor feedback, Face/Foot mount, High energy Neodymium magnets, Premium 200°C moisture resistant wire, ABEC Quality Class 3 bearings, High 155°C winding temperature design, UL/CE/cUL. Speed range to 7,000 RPM

Hp/Kw	RPM	NEMA Frame	Catalog Number	List Price	Mult. Sym.	"C" Dim.	Aprx. Wt. (lb)	Voltage	EISA Status <sup>(a)</sup>	Notes <sup>(a)</sup>
<b>C-Face, Footless</b>										
0.25/0.18	1800	42C	<b>BSM25C-1177MHC</b>	326	E4	7.95	13	320	C	
0.5/0.37	1800	42C	<b>BSM25C-2177MHC</b>	340	E4	8.41	9	320	C	
<b>C-Face, Foot Mounted</b>										
0.5/0.37	1800	56C	<b>BSM33C-2177MHQ</b>	549	E4	8.76	33	320	C	
1/0.75	1800	56C	<b>BSM33C-3177MHQ</b>	605	E4	9.86	22	320	C	
1.5/1.13	1800	56C	<b>BSM33C-4177MHQ</b>	692	E4	12.20	25	320	C	
2/1.5	1800	56C	<b>BSM33C-5177MHQ</b>	756	E4	15.20	30	320	C	
3/2.25	1800	56C	<b>BSM33C-6177MHQ</b>	927	E4	16.70	31	320	C	

<sup>(a)</sup> See notes on inside back flap.

**BMC-Series  
Adjustable Speed  
Brushless Control**

**Applications:** Conveyors, Pumps, Mixers, Packaging Machinery



**Features:** Speed regulation better than 0.5%, Peak current two times continuous, Jumper selections: line voltage, motor poles, automatic/manual start, braking, Diagnostic LED's, Industry standard speed command of +/- 10 Vdc or pot input, Diagnostic LEDs, Trimpot adjustments, Accel/decel time 0.1 - 30 sec

Rating Hp/Kw	Input Vac 50/60Hz	Phase	Output			Catalog Number	List Price	Mult. Sym.	Height in/mm	Width in/mm	Length in/mm
			VDC	Cont.Amps	Peak Amps						
.25/0.18	115/208/230	1	320	1.5	3	<b>BMC6A01</b>	399	E3	2.75/70	4.05/103	5.4/136
.05/0.37	115/208/230	1	320	2.4	4.8	<b>BMC6A02</b>	435	E3	2.75/70	4.05/103	5.4/136
1/0.75	115/208/230	1	320	4.0	8	<b>BMC6A04</b>	479	E3	5/127	4.05/103	6.8/172
1.5/1.13	115/208/230	1	320	5.5	11	<b>BMC6A05</b>	515	E3	4.5/114	4.05/103	6.8/172
2/1.5	208/230	1,3	320	6.7	13.4	<b>BMC2A06</b>	626	E3	4.45/113	4.05/103	8.6/217
3/2.25	208/230	3	320	9.0	18	<b>BMC2A09</b>	718	E3	4.45/113	4.05/103	8.6/217

Farm Duty  
Motors

Definite Purpose  
Motors

Unit Handling  
Motors

Brake  
Motors

200 & 575 Volt  
Motors

IEC Frame  
Motors



50 Hertz  
Motors

Inverter/Vector  
Motors & Controls

DC Motors  
and Controls

Soft Start & Dynamic  
Brakes

**Baldor V\*S Drives Selection Chart**

VS1ST	VS1SM	VS1MD	VS1MX	VS1PF	VS1SP	VS1GV
						
<b>Main Attributes</b>						
Starter-style Microdrive; V/Hz Control; Built-In PI Loop; DIN or Panel Mounting.	Sub-Micro Drive; Single-Phase Input / Three-Phase Output; V/Hz or Sensorless Vector Control; Built-In Filter Available	Microdrive; V/Hz or Sensorless Vector Control; Built-In PID; Ready to Operate Out of the Box	Microdrive; NEMA 4X & NEMA 12 Enclosures; V/Hz Control; Built-In Disconnect	Pump & Fan Drive; Energy Savings Features; V/Hz or Sensorless Vector; Text-Based Menus and Parameter Names	Enhanced Sensorless Vector or V/Hz Control; NEMA 1 Enclosure; Built-In Braking; Full-Graphic Display	Performance Vector, Sensorless Vector or V/Hz Control; NEMA 1 Enclosure; Built-In Braking; Full-Graphic Display; Encoder Feedback Standard
<b>Hp Range</b>						
0.5 to 15	0.5 to 3	0.5 to 30	0.5 to 10	5 to 700	1 to 1000	1 to 1000
<b>Voltage Range</b>						
115V/230V 1-Phase 230V/460V 3-Phase 600V 3-Phase (STS)	230V 1-Phase	230V 1-Phase 230V/460V 3-Phase	115V/230V 1-Phase 230V/460V 3-Phase 600V 3-Phase (MXS)	230V/460V/600V 3-Phase	115V/230V - 1 phase 230V/460V/600V 3-Phase	115V/230V - 1 Phase 230V/460V/600V 3-Phase
<b>Enclosure Selection</b>						
IP20	IP20	IP20/NEMA 1 Kits Available	NEMA 4X/12; NEMA 12; with or w/o Disconnect	NEMA 1 (7.5 to 15Hp) IP00/NEMA 1 Kit Option (20 to 125Hp) IP00 (150 to 700Hp)	NEMA 1 (1 to 1000Hp) NEMA 4X/12 (1 to 25Hp)	NEMA 1 (1 to 1000Hp) NEMA 4X/12 (1 to 25Hp)
<b>Control Mode</b>						
V/Hz Sensorless Vector (STS)	Sensorless Vector or V/Hz	Sensorless Vector or V/Hz	V/Hz Sensorless Vector (MXS)	Sensorless Vector or V/Hz	Sensorless Vector or V/Hz	Closed Loop Vector, Sensorless Vector or V/Hz
<b>Speed Range (Typ.)</b>						
20:1	30:1	30:1	20:1	30:1	90:1	1000:1
<b>Communications Options</b>						
Built-In Modbus-RTU (RS-485)	Built-In Modbus-RTU (RS-485)	Built-In Modbus-RTU (RS-485) DeviceNet	Built-in Modbus-RTU (RS-485)	Built-In RS-485, Modbus-RTU, DeviceNet, PROFIBUS-DP, Modbus/TCP, Lonworks, BACnet, Siemens-P1, Metasys-N2	Built-In USB and Modbus-RTU, Ethernet Server, DeviceNet, EtherNet/IP, PROFIBUS-DP, LonWorks, Metasys-N2, BACnet	Built-In USB and Modbus-RTU, Ethernet Server, DeviceNet, EtherNet/IP, PROFIBUS-DP, LonWorks, Metasys-N2, BACnet
<b>Operator Interface</b>						
Local or Remote Mounted LED Display and Keypad	Embedded LED Display and Keypad; Speed Pot	Local or Remote Mounted LED Display and Keypad; Copycat Capability	Local or Remote Mounted LED Display and Keypad; Copycat Capability; Speed Pot; Fwd/Rev Switch; Input Disconnect	Local or Remote Mounted Text Based LCD Display and Keypad; Copycat Capability	Local or Remote (NEMA 4) Mounted Graphical LCD Display and Keypad; Copycat Capability	Local or Remote (NEMA 4) Mounted Graphical LCD Display and Keypad; Copycat Capability
<b>Differentiating Feature</b>						
Low Cost; Designed for Panel Use; DIN Rail Mounting; Simple parameter list; CE filter option.	Designed for High Volume Applications; Simple Interface with Built-In Speed Pot; CE filter option	Low Cost; Basic Startup Menu; Runs Right Out of the Box; Full-Featured Application Oriented Firmware	Washdown and Harsh Environment Compatible Enclosure; Built-In Speed Pot, Fwd/Rev Switch, and Input Disconnect	Easy-to-Use Basic Startup Menu; Designed to Save Energy; Pump and Fan Application Specific Firmware	USB Interface; Display Help Text; NEMA 1 Enclosures (Washdown Available to 25Hp); PLC Functionality; Free Workbench software w/Oscilloscope Functionality; Wide Variety of Options	Encoder Interface Standard; USB Interface; Display Help Text; NEMA 1 Enclosures (Washdown Available to 25Hp); PLC Functionality; Free Workbench Software w/Oscilloscope Functionality; Wide Variety of Options
<b>Matched Performance® Motors</b>						
M & CP Standard-E, EM & ECP Super-E	M & CP Standard-E, EM & ECP Super-E	M & CP Standard-E®, EM & ECP Super-E®	E-Z KLEEN® Plus, Ultra KLEEN®, WDM Standard-E, EWDM Super-E	M & CP Standard-E, EM & ECP Super-E	VS-Master, RPM-AC, M & CP Standard-E, EM&ECP Super-E, IDM & IDNM InverterDuty®, IDWNM InverterDuty	VS-Master, RPM-AC, ZDM VectorDuty®, ZDNM VectorDuty, ZDWNM VectorDuty

Farm Duty Motors

Definite Purpose Motors

Unit Handling Motors

Brake Motors

200 & 575 Volt Motors

IEC Frame Motors

50 Hertz Motors

Inverter/Vector Motors & Controls

DC Motors and Controls

Soft Starters & Dynamic Brakes

### BALDOR • RELIANCE

## VS1ST AC Micro Drive



**1/2 thru 1.5 Hp**  
**1/2 thru 3 Hp**  
**1/2 thru 5 Hp**  
**1 thru 15 Hp**

**115 VAC**  
**230 VAC**  
**230 VAC**  
**460 VAC**

**1 Phase - 50/60 Hz**  
**1 Phase - 50/60 Hz**  
**3 Phase - 50/60 Hz**  
**3 Phase - 50/60 Hz**

**Applications:** Variable torque, constant torque or constant horsepower applications. New installations, replacements and original equipment manufactures (OEM).

**Features:** Volts per Hertz Control with peak overload capacity of 175% and PI capability. **Flexible mounting options with IP20 enclosure as standard and DIN Rail mounting.** Integral keypad, operator interface and local speed control. Basic set of programming parameters. Power ratings up to 5 Hp at 230V and 15 Hp at 460V versions.

<b>Performance Features</b>	Control Modes	V/Hz
	Operator Interface Module	Integral Drive Mounted
	Display Lines	6-Character LED Display
	Programmable Preset Speeds	Four
	Analog Outputs	One (0-10 VDC)
	Auto Restart	Yes – Up to 5 attempts
	Frequency Avoidance	One Band
	Fault History	Last Four Faults
	Digital Inputs: Four	Two Programmable Digital Inputs, Two user selectable analog/digital inputs
	Digital Inputs Type	Pull-Up
<b>Drive Specifications</b>	Analog Inputs: Two	0-10VDC, 0 to 20mA or 4 to 20mA
	Relay Outputs: One	Built-in Form C Relay
	Analog Output/Digital Output	0-10 VDC: One Analog Usable for Meter (Freq., Current, Voltage) or Digital Output
	Maximum Load	15 Hp @ 460 VAC
	Overload Capacity	Drive Output 150% for one minute and 175% for 2 seconds
	Input Voltage Ranges	115 VAC (99-126); 230 VAC (198-264); 460 VAC (342-528)
	Rated Input Frequency	50-60Hz (±5%)
	Carrier Frequency	4-32 kHz (8 kHz default)
	Operating Temperature	0° to 50°C
	Snubber (Dynamic Braking)	Built-in Transistor (Frames B & C)
	Dynamic Braking External	Up to 150% Dynamic Braking with appropriately sized resistor
	DC Injection Braking	Included
	Volts/Hz	Linear V/Hz, Energy Optimizer Function
	Frequency Control Range	0 - 500Hz
	Accel/Decel:	Independently adjustable accel. & decel. ramps
	Time Range:	0 to 600 Seconds
	Keypad Speed Control	Yes
	Sink/Source Inputs	Selectable, 24 VDC Logic
	Electronic Overload Trip	Electronic Motor Overload Inverse 150% for 1 minute or 175% for 2 seconds
	Communications	Built-in MODBUS-RTU (RS-485) Communications
PI Control	Built-in	
<b>Protective Features</b>	Under Voltage	Level Depends on Voltage Class (240, 480, or 575)
	Output Short Circuit	Phase-to-Phase on Drive Output
	Over Temperature	Heatsink Monitor
	DC Bus Overvoltage	DC Bus Level Trip
	Drive Overload	Exceed Drive rating of 150% for One Minute or 175% for 2 seconds
	Over Current	Over-current/short-Circuit protection
	Output Phase	Trips on open Output Phase
	Loss of Reference	Trips on Loss of Speed Command Signal
Comm. Error	Detects a communication error (fault)	
<b>Agency Certifications</b>	UL, cUL, CE, C-tick	
<b>Service Conditions</b>	Altitude	1,000 m (3,300 ft.), derate by 1% per 100m up to 2,000 on maximum.
	Ambient Temperature	IP20: -10°C (14°F) to 50°C (122°F)
	Storage Temperature	-40°C (-40°F) to 60°C (140°F)
	Relative Humidity	10% to 95%, non-condensing



**VS1ST – 115V, 50/60 Hz, 1-Phase Input (230V, 3-Phase Output)**

Catalog Number	Transistor	Frame	Hp	Output Current	List Price	Mult. Sym.
VS1ST10P5-0	No	A	0.5	2.3	439	EA
VS1ST11-0	No	A	1	4.3	513	EA
VS1ST11P5-0T	Yes	B	1.5	5.8	630	EA

**VS1ST – 230V, 50/60 Hz, 1-Phase Input (230V, 3-Phase Output)**

Catalog Number	Transistor	Frame	Hp	Output Current	List Price	Mult. Sym.
VS1ST80P5-0	No	A	0.5	2.3	353	EA
VS1ST81-0	No	A	1	4.3	383	EA
VS1ST82-0	No	A	2	7	461	EA
VS1ST82-0T	Yes	B	2	7	574	EA
VS1ST83-0T	Yes	B	3	10.5	641	EA

**VS1ST – 230V, 50/60 Hz, 3-Phase Input (230V, 3-Phase Output)**

Catalog Number	Transistor	Frame	Hp	Output Current	List Price	Mult. Sym.
VS1ST20P5-0	No	A	0.5	2.3	353	EA
VS1ST21-0	No	A	1	4.3	383	EA
VS1ST22-0	No	A	2	7	461	EA
VS1ST22-0T	Yes	B	2	7	539	EA
VS1ST23-0T	Yes	B	3	10.5	551	EA
VS1ST25-0T	Yes	C	5	18	730	EA

**VS1ST – 460V, 50/60 Hz, 3-Phase Input (460V, 3-Phase Output)**

Catalog Number	Transistor	Frame	Hp	Output Current	List Price	Mult. Sym.
VS1ST41-0	No	A	1	2.2	461	EA
VS1ST42-0	No	A	2	4.1	540	EA
VS1ST42-0T	Yes	B	2	4.1	618	EA
VS1ST43-0T	Yes	B	3	5.8	664	EA
VS1ST45-0T	Yes	B	5	9.5	776	EA
VS1ST47-0T	Yes	C	7.5	14	1,102	EA
VS1ST410-0T	Yes	C	10	18	1,226	EA
VS1ST415-0T	Yes	C	15	24	1,654	EA

**NOTE:** For EMC filtered units, refer to catalog CA769 (Baldor Drives and Capabilities).

Farm Duty  
MotorsDefinite Purpose  
MotorsUnit Handling  
Motors

Brake Motors

200 & 575 Volt  
MotorsIEC Frame  
Motors50 Hertz  
MotorsInverter/Vector  
Motors & ControlsDC Motors  
and ControlsSoft Starters &  
Dynamic Brakes

**Mounting Dimensions**

Frame	Height Inches (mm)	Width Inches (mm)	Depth Inches (mm)
A	6.81 (173)	3.23 (82)	4.84 (123)
B	8.70 (221)	4.29 (109)	5.91 (150)
C	10.28 (261)	5.16 (131)	6.89 (175)

**VS1ST – Accessories**

**Remote Keypad for VS1ST**

The VS1ST Remote Keypad can be panel mounted for remote control or display of the drive. The remote keypad comes with a standard 9 foot (3.0 m) cable and is suitable for IP54 mounting.

Catalog Number	Description	List Price	Mult. Sym.
VS1ST-RKEY3	VS1ST Remote Keypad with 3m cable	106	EA

**Cable Kits for VS1ST**

Option cable assemblies for setting up and connecting a simple serial network.

Catalog Number	Description	List Price	Mult. Sym.
VS1ST-J45SP	RJ45 Cable Splitter	22	EA
VS1ST-CBLOP5	1.5 ft. (0.5m) RJ45 Cable	11	EA
VS1ST-CBL1	3 ft. (1m) RJ45 Cable	11	EA
VS1ST-CBL3	9 ft. (3m) RJ45 Cable	11	EA

**Copycat Loader for VS1ST**

Connects to the RJ45 Port on the front of the VS1ST and allows the upload or download of software parameters.

Catalog Number	Description	List Price	Mult. Sym.
VS1ST-CCL	VS1ST RJ45 Copycat Loader	27	EA

**Relay Output Cards for VS1ST**

Provides additional relay outputs for signal and control.

Catalog Number	Description	List Price	Mult. Sym.
VS1ST-2ROUT	Provides one additional relay output for the drive	148	EA
VS1ST-HVAC	Provides two relays for “drive running” & “drive tripped”	148	EA
VS1ST-LOGHV-11	115 VAC control logic input card	127	EA
VS1ST-LOGHV-23	230 VAC control logic input card	127	EA

**VS1ST Dynamic Braking Resistors**

VS1ST Frame B and C drives include built-in braking transistors to aid in applications requiring the ability to stop rapidly. The resistor kits are designed specifically for the VS1ST and mount internally to the drive.

Catalog Number	Ohms	Wattage	Frame	List Price	Mult. Sym.
VS1ST-R100W200	100	200	B & C	192	EA

**VS1ST Field Bus Gateways**

Connects the VS1ST Modbus RTU RS485 Communication interface to the fieldbus gateway head.

Catalog Number	Description	List Price	Mult. Sym.
VS1ST-PBUS	Profibus Gateway Head	925	EA
VS1ST-DNET	DeviceNet Gateway Head	925	EA

Farm Duty  
Motors

Definite Purpose  
Motors

Unit Handling  
Motors

Brake  
Motors

200 & 575 Volt  
Motors

IEC Frame  
Motors

50 Hertz  
Motors

Inverter/Vector  
Motors & Controls

DC Motors  
and Controls

Soft Start & Dynamic  
Brakes

**VS1STS**  
**600V Starter Style**  
**AC Micro Drive**

**1 thru 60 Hp**

**500-600 VAC**

**3 Phase - 50/60 Hz**



**Product Highlights:** The VS1STS is a feature rich V/Hz & Sensorless Vector product targeted at the 600V market and equipment manufacturing applications.

**Applications:** Variable torque, constant torque or constant horsepower applications. New installations, replacements and original equipment manufactures (OEM).

**Features:** V/Hz and Sensorless Vector Control with peak overload capacity of 175% and PID capability. Flexible mounting options with IP20 enclosure as standard and DIN rail capability. Integral keypad, operator interface and local speed control. Basic setup parameter list and advanced software settings. Built-in braking transistor allows connection to remote braking resistor for enhanced performance needs. Power ratings up to 60 Hp at 600V, pluggable I/O terminal strip.

<b>Performance Features</b>	Control Modes	V/Hz & Sensorless Vector Control
	Operator Interface Module	Integral Drive Mounted; basic start/stop, forward/reverse and speed control
	Display Lines	6-Character LED Display
	Programmable Preset Speeds	Eight
	Analog Output: One	0-10VDC or 20mA
	Auto Restart	Yes -- Up to 5 attempts
	Frequency Avoidance	One Band
	Fault Indicators	16 Fault Codes
	Digital Inputs: Four	Two programmable digital inputs, two user selectable analog/digital inputs
Digital Inputs Type	Pull-Up	
<b>Drive Specifications</b>	Analog Inputs: Two	One bi-polar and one 0-10VDC, 0 to 20mA or 4 to 20mA
	Relay Output: One	Built-in Form C Relay, normally open contact
	Analog Output/Digital: One	0-10 VDC: One Analog Usable for Meter (Freq., Current, Voltage) or Digital Output
	Maximum Load:	60 HP @ 600 VAC
	Overload Capacity	Drive Output 150% for one minute and 175% for 2 seconds
	Input Voltage Ranges:	500 - 600VAC
	Input Voltage Tolerance	10% / -10%
	Rated Input Frequency	50-60Hz (±5%)
	Carrier Frequency:	4-32 kHz (8 kHz default)
	Operating Temperature:	-10° to 50°C
	Snubber (Dynamic Braking):	Built-in Transistor
	Dynamic Braking External:	Up to 150% Dynamic Braking with appropriately sized resistor
	DC Injection Braking:	Included
	Volts/Hz	Linear V/Hz Energy Optimization Function
	Sensorless Vector	Full Sensorless Vector Control with Autotune and motor model
	Frequency Control Range:	0 - 2000Hz
	Accel/Decel:	Independently adjustable accel. & decel. ramps
	Keypad Speed Control	Yes
	Sink/Source Inputs	Selectable, 24 VDC Logic
Electronic Overload Trip	Electronic Motor Overload Inverse 150% for 1 minute or 175% for 2 seconds	
<b>Protective Features</b>	Under Voltage	Level Depends on Voltage Class (600V)
	Output Short Circuit	Phase-to-Phase on Drive Output
	Over Temperature	Heatsink Monitor
	DC Bus Overvoltage	DC Bus Level Trip
	Drive Overload	Exceed Drive rating of 150% for One Minute or 175% for 2 seconds
	Over Current	Over-current/short-Circuit protection
	Output Phase	Trips on open Output Phase
	Loss of Reference	Trips on Loss of Speed Command Signal
Communication Error	Detects a communication error (fault)	
<b>Agency Certifications</b>	UL, cUL, CE, CCC, C-tick	
<b>Service Conditions</b>	Altitude:	1,000 m (3,300 ft.) Maximum
	Ambient Temperature:	IP20: -10°C to 50°C
	Storage Temperature:	-20°C to 60°C
	Relative Humidity:	10% to 90%, non-condensing
	Intermittent Overload:	150% overload capacity for up to 1 minute 175% overload capacity for up to 2 seconds

Farm Duty Motors

Definite Purpose Motors

Unit Handling Motors

Brake Motors

200 & 575 Volt Motors

IEC Frame Motors

50 Hertz Motors

Inverter/Vector Motors & Controls

DC Motors and Controls

Soft Starters & Dynamic Brakes

**VS1STS – 500-600V ±10% 3-Phase Input**

Catalog Number	Frame	Hp	kW	Output Current	List Price	Mult. Sym.
VS1STS51-0T	B	1	0.75	1.7	899	EA
VS1STS52-0T	B	2	1.5	3.1	1,011	EA
VS1STS53-0T	B	3	2.2	4.1	1,124	EA
VS1STS55-0T	B	5	4	6.1	1,349	EA
VS1STS57-0T	B	7.5	5.5	9	1,686	EA
VS1STS510-0T	C	10	7.5	14	2,023	EA
VS1STS515-0T	C	15	11	18	2,472	EA
VS1STS520-0T	C	20	15	24	3,147	EA
VS1STS530-0T	D	30	22	39	4,945	EA
VS1STS540-0T	D	40	30	46	5,619	EA
VS1STS560-0T	D	60	45	62	6,743	EA

**Mounting Dimensions**

Frame	Height Inches (mm)	Width Inches (mm)	Depth Inches (mm)
<b>A</b>	10.24 (260)	3.94 (100)	6.89 (175)
<b>B</b>	10.24 (260)	6.73 (171)	6.89 (175)
<b>C</b>	20.47 (520)	13.39 (340)	8.66 (220)

**Remote Keypad for the VS1STS**

Catalog Number	Description	List Price	Mult. Sym.
VS1STS-RKEY3	VS1STS Remote Keypad with 3m cable	90	EA

The VS1STS-RKEY3 Remote Keypad can be panel mounted for remote control or display of drive parameters. The kit comes standard with a 9 foot (3 meter) cable and is suitable for IP54 mounting. This keypad can be used with either the VS1STS or the VS1MXS. Depending on the requirement of the application, VS1STS-RKEY3 can be used point to point or with multiple drives.

**Cable Kits for the VS1STS**

To support a basic serial network, option cable assemblies and splitters are available.

Catalog Number	Description	List Price	Mult. Sym.
VS1STS-J11SP	RJ45 Cable Splitter	23	EA
VS1STS-CBL0P3	1 ft. (0.3m) RJ11 Cable	5	EA
VS1STS-CBL1	3 ft. (1m) RJ11 Cable	7	EA
VS1STS-CBL3	9 ft. (3m) RJ11 Cable	11	EA

Farm Duty Motors

Definite Purpose Motors

Unit Handling Motors

Brake Motors

200 & 575 Volt Motors

IEC Frame Motors

50 Hertz Motors

Inverter/Vector Motors & Controls

DC Motors and Controls

Soft Start & Dynamic Brakes

**VS1SM  
AC Micro Drive**

**1/2 thru 3 Hp 230 VAC 1 Phase - 50/60 Hz Input / 3 Phase Output**

**Applications:** Variable torque, constant torque or constant horsepower applications. New installations, replacements and original equipment manufactures (OEM).

**Features:** Volts per Hertz or Sensorless Vector Control with peak overload capacity of 200%, PID capability and built in MODBUS RS-485 Communications. Integral keypad, operator interface and local speed control. Programming by Groups makes it easy to navigate and find parameters. Basic Program Group contains the most common application related parameters. Power ratings up to 3 Hp 230V Single Phase. Available with or without built in CE Filters. Built-in braking transistor allows connection to remote braking resistor for enhanced performance needs.



<b>Performance Features</b>	Control Modes	V/Hz or Sensorless Vector
	Operator Interface Module	Integral Drive Mounted
	Display Lines	3-Character LED Display
	Programmable Preset Speeds	Eight
	Analog Outputs	One (0-10 VDC)
	Local Speed Control	Built-in Speed Potentiometer
	Auto Restart	Yes – Up to 10 attempts
	Frequency Avoidance	Three Bands
	Fault History	Last Five Faults
	Digital Inputs	Five Completely Configurable Inputs
Digital Inputs Type	Pull-up or Pull-down	
<b>Drive Specifications</b>	Analog Inputs: Two Total	One: 0-10VDC; One: 4-20mADC
	Digital Outputs: Two Total	One Opto-coupled (Configurable); Form C Relay
	Meter Outputs	0-10 VDC: One Analog Usable for Meter (Freq., Current, Voltage, DC Voltage)
	Maximum Load	3 Hp @ 230VAC
	Overload Capacity	Drive Output 150% for One Minute
	Frequency Accuracy	Digital Command: 0.01% of Max. Output Frequency; Analog Command: 0.1% of Max. Output Frequency
	Input Voltage Ranges	190-253VAC - 1-Phase
	Rated Input Frequency	50-60Hz (±5%)
	Carrier Frequency	1-15 kHz (3 kHz default)
	Operating Temperature	-10° to 50°C (IP20)
	Snubber (Dynamic Braking)	Use External Braking Unit
	Dynamic Braking External	Dynamic Braking via External Braking Unit connected to DC bus.
	DC Injection Braking	Included
	Volts/Hz	Linear V/Hz; Quadratic V/Hz; Custom 4-point V/Hz Curve
	Sensorless Vector	Full Sensorless Vector; Control with Autotune Function and motor model
	Frequency Control Range	0-400 Hz
	Accel/Decel	Eight independently adjustable sets of ramps
	Time Range	0.1 to 6000 Seconds
	S Curve Accel. & Decel.	Yes, with adjustable rounding percentage
	Keypad Speed Control	Yes
Sink/Source Inputs	Selectable, 24 VDC Logic	
Electronic Overload Trip	Electronic motor Overload Inverse Time calculation with program warning level	
Communications	Built-in MODBUS-RTU (RS-485) Communications	
PID Control	Built-in	
<b>Protective Features</b>	Under Voltage	Level Depends on Voltage Class (240, 480)
	Ground Fault Protection	Ground Fault protection active during run
	Output Short Circuit	Phase-to-Phase on Drive Output
	Over Temperature	Heatsink Monitor
	DC Bus Overvoltage	DC Bus Level Trip
	Drive Overload	Exceed Drive rating of 150% for one minute
	Over Current	Over-current/short-Circuit protection
	Output Phase	Trips on open Output Phase
	Loss of Reference	Trips on Loss of Speed Command Signal
	Cooling Fan	Detects an inverter fan failure (replace fan)
<b>Agency Certifications</b>	Listings	UL, cUL, CE
<b>Service Conditions</b>	Altitude	1,000 m (3,300 ft.), derate by 1% per 100 m up to 2,000m maximum.
	Ambient Temperature	IP20: -10°C (14°F) to 50°C (122°F)
	Storage Temperature	-20°C (-2°F) to 65°C (149°F)
	Relative Humidity	10% to 95%, non-condensing

Farm Duty Motors

Definite Purpose Motors

Unit Handling Motors

Brake Motors

200 & 575 Volt Motors

IEC Frame Motors

50 Hertz Motors

Inverter/Vector Motors & Controls

DC Motors and Controls

Soft Starters & Dynamic Brakes

**VS1SM – 230V, 50/60 Hz, 1-Phase Input (230V, 3-Phase Output)**

Catalog Number	EMC Filter	Frame	Hp (Normal Duty)	Output Current	List	Mult. Sym.
VS1SM80P5	No	A	0.5	2.5A	328	EA
VS1SM80P5-F	Yes	A	0.5	2.5A	382	EA
VS1SM81	No	A	1	5.0A	405	EA
VS1SM81-F	Yes	A	1	5.0A	459	EA
VS1SM82	No	B	2	8.0A	513	EA
VS1SM82-F	Yes	B	2	8.0A	568	EA
VS1SM83	No	B	3	12.0A	655	EA
VS1SM83-F	Yes	B	3	12.0A	720	EA

**Mounting Dimensions**

Frame	Height Inches (mm)	Width Inches (mm)	Depth Inches (mm)	Weight lbs (kg)
A	5.63 (143)	3.11 (79)	5.64 (143)	1.96 (0.89)
A (with Filter)	5.63 (143)	3.11 (79)	5.64 (143)	2.14 (0.97)
B	5.63 (143)	6.14 (156)	5.64 (143)	4.08 (1.85)
B (with Filter)	5.63 (143)	6.14 (156)	5.64 (143)	4.41 (2.0)

Farm Duty Motors

Definite Purpose Motors

Unit Handling Motors

Brake Motors

200 & 575 Volt Motors

IEC Frame Motors

50 Hertz Motors

Inverter/Vector Motors & Controls

DC Motors and Controls

Soft Start & Dynamic Brakes



**VS1MD  
AC Micro Drive**

**1/4 thru 5 Hp  
1/2 thru 30 Hp  
1/2 thru 30 Hp**

**230 VAC  
230 VAC  
460 VAC**

**1 Phase - 50/60 Hz  
3 Phase - 50/60 Hz  
3 Phase - 50/60 Hz**



**Applications:** Variable torque, constant torque or constant horsepower applications. New installations, replacements and original equipment manufactures (OEM).

**Features:** Volts per Hertz or Sensorless Vector Control with peak overload capacity of 200% and PID capability. Flexible mounting options with IP20 enclosure as standard and NEMA 1 kit option. Integral keypad, operator interface and local speed control. Programming by Groups makes it easy to navigate and find parameters. Basic Program Group contains the most common application related parameters. Power ratings up to 30 Hp in both 230V and 460V versions. Built-in braking transistor allows connection to remote braking resistor for enhanced performance needs.

<b>Performance Features</b>	Control Modes	V/Hz or Sensorless Vector	
	Operator Interface Module	Integral Drive Mounted	
	Display Lines	4-Character LED Display	
	Programmable Preset Speeds	Eight	
	Analog Outputs	One (0-10 VDC)	
	Auto Restart	Yes -- Up to 10 attempts	
	Frequency Avoidance	Three Bands	
	Fault History	Last Five Faults	
<b>Drive Specifications</b>	Digital Inputs	Eight Completely Configurable Inputs	
	Digital Inputs Type	Pull-up or Pull-down	
	Analog Inputs: Two Total	One: 0-10VDC or -10 to 10VDC, One: 4-20mADC	
	Digital Outputs: Two Total	One Opto-coupled (Configurable), Form C Relay	
	Meter Outputs	0-10 VDC: One Analog Usable for Meter (Proportional to Frequency, Output Current, AC Output Voltage, or DC Output Voltage)	
	Maximum Load	30 Hp @ 460 VAC	
	Overload Capacity	Drive Output 150% for One Minute, 200% for Twelve Seconds	
	Frequency Accuracy	Digital Command: 0.01% of Max. Output Frequency, Analog Command: 0.1% of Max. Output Frequency	
	Input Voltage Ranges	230 VAC (170-253); 460 VAC (323-528)	
	Rated Input Frequency	50-60Hz (±5%)	
	Carrier Frequency	1-15 kHz (3 kHz default)	
	Operating Temperature	-10° to 50°C (IP20)	
	Snubber (Dynamic Braking)	Built-in Transistor	
	Dynamic Braking External	Up to 150% Dynamic Braking with appropriately sized resistor	
	DC Injection Braking	Included	
	Volts/Hz	Linear V/Hz, Quadratic V/Hz, Custom 4-Point V/Hz Curve	
	Sensorless Vector	Full Sensorless Vector Control with Autotune Function and motor model	
	Frequency Control Range	0-400 Hz	
	Accel/Decel	Eight independently adjustable sets of ramps	
	Time Range	0.1 to 600 Seconds	
	S Curve Accel. & Decel.	Yes, with adjustable rounding percentage	
Keypad Speed Control	Yes		
<b>Protective Features</b>	Sink/Source Inputs	Selectable, 24 VDC Logic	
	Electronic Overload Trip	Electronic Motor Overload Inverse Time calculation with Programmable Warning Level	
	Communications	Built-in MODBUS-RTU (RS-485) Communications - optional Devicenet	
	PID Control	Built-in	
	Under Voltage	Level Depends on Voltage Class (240, 480)	
	Ground Fault Protection	Ground Fault protection active during run	
	Output Short Circuit	Phase-to-Phase on Drive Output	
	Over Temperature	Heatsink Monitor	
	DC Bus Overvoltage	DC Bus Level Trip	
	Drive Overload	Exceed Drive rating of 150% for One Minute	
<b>Agency Certifications</b>	Over Current	Over-current/short-Circuit protection	
	Output Phase	Trips on open Output Phase	
	Loss of Reference	Trips on Loss of Speed Command Signal	
	Cooling Fan	Detects an inverter fan failure (replace fan)	
	Comm. Error	Detects a communication error (fault)	
	UL, cUL, CE		
	<b>Service Conditions</b>	Altitude	1,000 m (3,300 ft.), derate by 1% per 100 m up to 2,000 m maximum.
		Ambient Temperature	IP20: -10°C (14°F) to 50°C (122°F)
		Storage Temperature	-20°C (-2°F) to 65°C (149°F)
		Relative Humidity	10% to 95%, non-condensing

Farm Duty Motors

Definite Purpose Motors

Unit Handling Motors

Brake Motors

200 & 575 Volt Motors

IEC Frame Motors

50 Hertz Motors

Inverter/Vector Motors & Controls

DC Motors and Controls

Soft Starters & Dynamic Brakes

**BALDOR • RELIANCE**

**VS1MD – 230V, 50/60 Hz, 3-Phase**

Catalog Number	Frame	3-Phase Hp	1-Phase Hp	Output Current	List Price	Mult. Sym.
VS1MD20P5	A	0.5	0.25	2.5A	459	EA
VS1MD21	A	1	0.5	5.0A	476	EA
VS1MD22	B	2	1	8.0A	596	EA
VS1MD23	C	3	2	12.0A	688	EA
VS1MD25	C	5	3	16.0A	882	EA
VS1MD27	D	7.5	-	24.0A	1,288	EA
VS1MD210	D	10	5	32.0A	1,528	EA
VS1MD215	E	15		46.0A	1,909	EA
VS1MD220	E	20		60.0A	2,387	EA
VS1MD225	F	25		74.0A	2,983	EA
VS1MD230	F	30		88.0A	3,728	EA

**VS1MD – 460V, 50/60 Hz, 3-Phase**

Catalog Number	Frame	Hp	Output Current	List Price	Mult. Sym.
VS1MD40P5	A	0.5	1.25A	548	EA
VS1MD41	A	1	2.5A	574	EA
VS1MD42	B	2	4.0A	694	EA
VS1MD43	C	3	6.0A	802	EA
VS1MD45	C	5	8A	997	EA
VS1MD47	D	7.5	12.0A	1,290	EA
VS1MD410	D	10	16.0A	1,541	EA
VS1MD415	E	15	24.0A	1,926	EA
VS1MD420	E	20	30.0A	2,407	EA
VS1MD425	F	25	39.0A	3,009	EA
VS1MD430	F	30	45.0A	3,761	EA

**VS1MD – 230V, 50/60 Hz, 3-Phase Communication Ready Base Unit**

Does not include local keypad

Catalog Number	Frame	Hp	Output Current	List Price	Mult. Sym.
VS1MD20P5-8	A	0.5	2.5A	413	EA
VS1MD21-8	A	1	5.0A	429	EA
VS1MD22-8	B	2	8.0A	537	EA
VS1MD23-8	C	3	12.0A	619	EA
VS1MD25-8	C	5	16.0A	794	EA
VS1MD27-8	D	7.5	24.0A	1,159	EA
VS1MD210-8	D	10	32.0A	1,375	EA
VS1MD215-8	E	15	46.0A	1,837	EA
VS1MD220-8	E	20	60.0A	2,315	EA
VS1MD225-8	F	25	74.0A	2,911	EA
VS1MD230-8	F	30	88.0A	3,677	EA

**VS1MD – 460V, 50/60 Hz, 3-Phase Communication Ready Base Unit**

Does not include local keypad

Catalog Number	Frame	Hp	Output Current	List Price	Mult. Sym.
VS1MD40P5-8	A	0.5	1.25A	493	EA
VS1MD41-8	A	1	2.5A	516	EA
VS1MD42-8	B	2	4.0A	624	EA
VS1MD43-8	C	3	6.0A	722	EA
VS1MD45-8	C	5	8A	898	EA
VS1MD47-8	D	7.5	12.0A	1,160	EA
VS1MD410-8	D	10	16.0A	1,387	EA
VS1MD415-8	E	15	24.0A	1,855	EA
VS1MD420-8	E	20	30.0A	2,336	EA
VS1MD425-8	F	25	39.0A	2,927	EA
VS1MD430-8	F	30	45.0A	3,689	EA

Farm Duty Motors

Definite Purpose Motors

Unit Handling Motors

Brake Motors

200 & 575 Volt Motors

IEC Frame Motors

50 Hertz Motors

Inverter/Vector Motors & Controls

DC Motors and Controls

Soft Start & Dynamic Brakes

## Mounting Dimensions

Frame	Height Inches (mm)	Width Inches (mm)	Depth Inches (mm)
A	5.04 (128)	2.75 (70)	5.12 (130)
B	5.04 (128)	3.94 (100)	5.12 (130)
C	5.04 (128)	5.20 (140)	6.10 (155)
D	8.66 (220)	7.08 (180)	6.69 (170)
E	15.40 (320)	11.30 (235)	9.12 (189.50)
F	19.73 (410)	12.50 (260)	10 (208.50)

## VS1MD – Accessories

## DB Resistor Kits

VS1MD drives include built-in braking transistors to aid in applications requiring the ability to stop rapidly. External braking resistors are required to implement the dynamic braking function. The below resistor selection provides resistors that are designed for 15% to 20% duty cycle braking applications. These resistors must be separately mounted.

## VS1MD Dynamic Braking Resistors

Input Volts	Hp	Braking Transistor Specifications		100% Torque Braking Resistors					150% Torque Braking Resistors				
		Minimum Allowable Ohms	Maximum Continuous Braking Wattage	Ohms	Wattage	Catalog Number	List Price	Mult. Sym.	Ohms	Wattage	Catalog Number	List Price	Mult. Sym.
230	0.5	50	116	200	200	VS1-R200W200	60	EA	200	200	VS1-R200W200	60	EA
	1	44	174	160	200	VS1-R160W200	60	EA	100	200	VS1-R100W200	45	EA
	2	40	278	50	400	VS1-R50W400	132	EA	50	400	VS1-R50W400	132	EA
	3	26	464	50	400	VS1-R50W400	132	EA	33	600	VS1-R33W600	278	EA
	5	16	767	33	600	VS1-R33W600	278	EA	20	800	VS1-R20W800	306	EB
	7.5	8	929	20	800	VS1-R20W800	306	EB	15	1200	VS1-R15W1200	370	EB
	10	8	1394	15	1200	VS1-R15W1200	370	EB	10	2400	VS1-R10W2400	489	EB
460	0.5	133	116	200	200	VS1-R200W200	60	EA	200	200	VS1-R200W200	60	EA
	1	66	174	200	200	VS1-R200W200	60	EA	200	200	VS1-R200W200	60	EA
	2	66	348	200	400	VS1-R200W400	132	EA	200	400	VS1-R200W400	132	EA
	3	80	464	200	400	VS1-R200W400	132	EA	130	600	VS1-R130W600	278	EA
	5	64	755	100	400	VS1-R100W400	132	EA	85	1000	VS1-R85W1000	346	EB
	7.5	32	1235	85	1000	VS1-R85W1000	346	EB	40	2000	VS1-R40W2000	465	EA
	10	32	1394	60	1200	VS1-R60W1200	370	EB	40	2000	VS1-R40W2000	465	EA

## NEMA 1/IP30 Kit

The VS1MD AC drive has an enclosure rating of IP20, but includes provisions to mount a NEMA 1 kit. This kit provides a metal conduit plate for attaching user conduit, as well as a plastic top cover for the drive.

## VS1MD NEMA 1 Kits

Description	Catalog Number	List Price	Mult. Sym.
VS1MD NEMA 1 Kit, Frame A	VS1MD-NM1A	40	EA
VS1MD NEMA 1 Kit, Frame B	VS1MD-NM1B	40	EA
VS1MD NEMA 1 Kit, Frame C	VS1MD-NM1C	48	EA
VS1MD NEMA 1 Kit, Frame D	VS1MD-NM1D	58	EA
VS1MD NEMA 1 Kit, Frame E	VS1MD-NM1E	64	EA
VS1MD NEMA 1 Kit, Frame F	VS1MD-NM1F	87	EA

**VS1MD – Accessories Continued...**

**DIN Rail Mounting Kit**

Adapter Kit to convert the VS1MD drive for DIN Rail Mounting. Low profile mounting to the back of the AC Drive adds minimal depth.

**VS1MD Din Rail Kit**

Description	Catalog Number	List Price	Mult. Sym.
VS1MD Din Rail Kit A-Frame	<b>VS1MD-DINA</b>	19	EA
VS1MD Din Rail Kit B-Frame	<b>VS1MD-DINB</b>	25	EA
VS1MD Din Rail Kit C-Frame	<b>VS1MD-DINC</b>	33	EA

**VS1MD NEMA 1 Remote Keypads**

The VS1MD Remote Keypad can be panel mounted for remote keypad configuration or control of the VS1MD. The remote keypad can be mounted up to 15ft. from the VS1MD drive.

Description	Catalog Number	List Price	Mult. Sym.
VS1MD Remote Keypad with 6 ft. (2m) cable	<b>VS1MD-RKEY2</b>	98	EA
VS1MD Remote Keypad with 9 ft. (3m) cable	<b>VS1MD-RKEY3</b>	107	EA
VS1MD Remote Keypad with 15 ft. (5m) cable	<b>VS1MD-RKEY5</b>	127	EA

**VS1MD CopyCat Keypad**

The VS1MD CopyCat Keypad allows a CopyCat function so that the parameters of the drive can be stored to and retrieved from the Remote Keypad.

Description	Catalog Number	List Price	Mult. Sym.
VS1MD CopyCat Keypad	<b>VS1MD-CCL</b>	101	EA

**VS1MD Communication Option Kits**

Ideal for factory, building and process automation industries, Communication cards are available for DeviceNet, dual protocol Ethernet IP/ModBus TCP/IP and Profibus.

Network cards fit internal to the VS1MD drive replacing the standard operator interface and I/O board. In order to use a communication option, order a VS1MD Communication Ready Drive from the preceding pages. The Communication Ready Drives can be identified by the “-8” suffix on the part number. Then, select a VS1MD Communication Option from the list below. It is also possible to convert a standard VS1MD Drive to work with these communication options. In order to use a standard VS1MD Drive with a Communication Option, you must also order a communications-ready conversion kit MD11040001769 (includes a new front cover, baseplate, and communications board header adapter).

Description	Catalog Number	List Price	Mult. Sym.
DeviceNet Communication Card	<b>VS1MD-DNET</b>	216	EA
Profibus Communication Card	<b>VS1MD-PBUS</b>	325	EA
Ethernet IP Communication Card	<b>VS1MD-ENET</b>	283	EA

**VS1 USB to RS485 Converter Kit**

This kit allows communications between a USB port on a computer and the VS1MD Drive RS485 control terminals.

Description	Catalog Number	List Price	Mult. Sym.
VS1 USB to RS485 Converter Kit	<b>VS1-COMMUSB</b>	513	EA

**DriveView Software**

DriveView communications software for Baldor VS1MD Drives is available at no charge by downloading from the Baldor VS Drives web site at [www.baldor.com](http://www.baldor.com).

Farm Duty Motors

Definite Purpose Motors

Unit Handling Motors

Brake Motors

200 & 575 Volt Motors

IEC Frame Motors

50 Hertz Motors

Inverter/Vector Motors & Controls

DC Motors and Controls

Soft Start & Dynamic Brakes

**VS1MX  
AC Micro Drive**



**1/2 thru 1.5 Hp**  
**1/2 thru 3 Hp**  
**2 thru 5 Hp**  
**1 thru 10 Hp**

**115 VAC**  
**230 VAC**  
**230 VAC**  
**460 VAC**

**1 Phase - 50/60 Hz**  
**1 Phase - 50/60 Hz**  
**3 Phase - 50/60 Hz**  
**3 Phase - 50/60 Hz**

**Applications:** Applications that require a washdown or harsh duty enclosure. Ideal for environments where dust, oil mist or water is prevalent. Variable torque, constant torque or constant horsepower applications. Target stand alone applications where a local disconnect is required. New installations, replacements and original equipment manufactures (OEM).

**Features:** Volts per Hertz Control with peak overload capacity of 175%. Flexible mounting options NEMA 12, NEMA 4X, Input Disconnect models and EMC Filter models. Integral keypad, operator interface and local speed control. Speed potentiometer and F-O-R switch on input disconnect models only. Basic set of less than forty programming parameters. Power ratings up to 10 Hp in 460V versions.

<b>Performance Features</b>	Control Modes	V/Hz
	Operator Interface Module	Integral Drive Mounted
	Display Lines	6-Character LED Display
	Programmable Preset Speeds	Four
	Analog Outputs	One (0-10 VDC)
	Auto Restart	Yes – Up to 5 attempts
	Frequency Avoidance	One Band
	Fault History	Last Four Faults
	Digital Inputs	Three Configurable Inputs
<b>Drive Specifications</b>	Digital Inputs Type	Pull-Up
	Analog Inputs: Two	0-10VDC or 4 to 20mA
	Relay Outputs: One	One Built-in Form C Relay
	Analog Outputs / Digital Output	0-10 VDC: One Analog Usable for Meter (Freq., Current, Voltage) or Digital Output
	Maximum Load	10 Hp @ 460 VAC
	Overload Capacity	Drive Output 150% for one minute and 175% for 2 seconds
	Input Voltage Ranges	115 VAC (99-126); 230 VAC (198-264); 460 VAC (342-528)
	Rated Input Frequency	50-60Hz (±5%)
	Carrier Frequency	4-32 kHz (8 kHz default)
	Operating Temperature	-10° to 40°C
	Snubber (Dynamic Braking)	Built-in Transistor on Frames 2 and 3 only
	Dynamic Braking External	Up to 150% Dynamic Braking with appropriately sized resistor
	DC Injection Braking	Included
	Volts/Hz	Linear V/Hz, Energy Optimizer Function
	Frequency Control Range	0 - 500Hz
	Accel/Decel	Independently adjustable accel. & decel. ramps
	Time Range	0.1 to 600.0 Seconds
	Keypad Speed Control	Yes
	Sink/Source Inputs	Selectable, 24 VDC Logic
	Electronic Overload Trip	Electronic Motor Overload Inverse 150% for 1 minute or 175% for 2
Communications	Built-in MODBUS-RTU (RS-485) Communications	
PI Control	Built-in	
<b>Protective Features</b>	Under Voltage	Level Depends on Voltage Class (240, 480, or 575)
	Output Short Circuit	Phase-to-Phase on Drive Output
	Over Temperature	Heatsink Monitor
	DC Bus Overvoltage	DC Bus Level Trip
	Drive Overload	Exceed Drive rating of 150% for One Minute or 175% for 2 seconds
	Over Current	Over-current/short-Circuit protection
	Output Phase	Trips on open Output Phase
	Loss of Reference	Trips on Loss of Speed Command Signal
	Comm. Error	Detects a communication error (fault)
<b>Agency Certifications</b>	UL, cUL, CE, CCC, C-tick	
<b>Service Conditions</b>	Altitude	1,000 m (3,300 ft.), derate by 1% per 100m up to 2,000m maximum
	Ambient Temperature	IP20: -10°C (14°F) to 40°C (102°F)
	Storage Temperature	-40°C (-40°F) to 60°C (140°F)
	Relative Humidity	10% to 95%, non-condensing
	Intermittent Overload	150% overload capacity for up to 1 minute, 175% overload capacity for up to 2 seconds

Farm Duty Motors

Definite Purpose Motors

Unit Handling Motors

Brake Motors

200 & 575 Volt Motors

IEC Frame Motors

50 Hertz Motors

Inverter/Vector Motors & Controls

DC Motors and Controls

Soft Starters & Dynamic Brakes

**BALDOR • RELIANCE**

**VS1MX – 115V, 50/60 Hz, 1-Phase Input (230V, 3-Phase Output) – NEMA 4X/12 (White Enclosure)**

Catalog Number	Disconnect *	Frame	Hp	Output Current	List Price	Mult. Sym.
VS1MX10P5-4	No	A	0.5	2.3	680	EA
VS1MX10P5-4D	Yes	A	0.5	2.3	747	EA
VS1MX11-4	No	A	1	4.3	705	EA
VS1MX11-4D	Yes	A	1	4.3	776	EA
VS1MX11P5-4T	No	B	1.5	5.8	883	EA
VS1MX11P5-4TD	Yes	B	1.5	5.8	971	EA

**VS1MX – 115V, 50/60 Hz, 1-Phase Input (230V, 3-Phase Output) – NEMA 12 (Green Enclosure)**

Catalog Number	Disconnect *	Frame	Hp	Output Current	List Price	Mult. Sym.
VS1MX10P5-2	No	A	0.5	2.3	625	EA
VS1MX10P5-2D	Yes	A	0.5	2.3	687	EA
VS1MX11-2	No	A	1	4.3	649	EA
VS1MX11-2D	Yes	A	1	4.3	714	EA
VS1MX11P5-2T	No	B	1.5	5.8	812	EA
VS1MX11P5-2TD	Yes	B	1.5	5.8	893	EA

**VS1MX – 230V, 50/60 Hz, 1-Phase Input (230V, 3-Phase Output) – NEMA 4X/12 (White Enclosure)**

Catalog Number	Disconnect *	Frame	Hp	Output Current	List Price	Mult. Sym.
VS1MX80P5-4	No	A	0.5	2.3	591	EA
VS1MX80P5-4D	Yes	A	0.5	2.3	650	EA
VS1MX81-4	No	A	1	4.3	613	EA
VS1MX81-4D	Yes	A	1	4.3	674	EA
VS1MX82-4	No	A	2	7	767	EA
VS1MX82-4D	Yes	A	2	7	844	EA
VS1MX82-4T	No	B	2	7	853	EA
VS1MX82-4TD	Yes	B	2	7	938	EA
VS1MX83-4T	No	B	3	10.5	886	EA
VS1MX83-4TD	Yes	B	3	10.5	973	EA

**VS1MX – 230V, 50/60 Hz, 1-Phase Input (230V, 3-Phase Output) – NEMA 12 (Green Enclosure)**

Catalog Number	Disconnect *	Frame	Hp	Output Current	List Price	Mult. Sym.
VS1MX80P5-2	No	A	0.5	2.3	543	EA
VS1MX80P5-2D	Yes	A	0.5	2.3	598	EA
VS1MX81-2	No	A	1	4.3	565	EA
VS1MX81-2D	Yes	A	1	4.3	621	EA
VS1MX82-2	No	A	2	7	706	EA
VS1MX82-2D	Yes	A	2	7	777	EA
VS1MX82-2T	No	B	2	7	784	EA
VS1MX82-2TD	Yes	B	2	7	863	EA
VS1MX83-2T	No	B	3	10.5	815	EA
VS1MX83-2TD	Yes	B	3	10.5	896	EA

**NOTE:** For EMC filtered units, refer to catalog CA769 (Baldor Drives and Capabilities).  
\* Disconnect models include speed potentiometer and F-O-R switch.

Farm Duty Motors

Definite Purpose Motors

Unit Handling Motors

Brake Motors

200 & 575 Volt Motors

IEC Frame Motors

50 Hertz Motors

Inverter/Vector Motors & Controls

DC Motors and Controls

Soft Start & Dynamic Brakes



## VS1MX – 230V, 50/60 Hz, 3-Phase Input (230V, 3-Phase Output) – NEMA 4X/12 (White Enclosure)

Catalog Number	Disconnect *	Frame	Hp	Output Current	List Price	Mult. Sym.
VS1MX20P5-4	No	A	0.5	2.3	607	EA
VS1MX20P5-4D	Yes	A	0.5	2.3	668	EA
VS1MX21-4	No	A	1	4.3	668	EA
VS1MX21-4D	Yes	A	1	4.3	690	EA
VS1MX22-4	No	A	2	7	691	EA
VS1MX22-4D	Yes	A	2	7	760	EA
VS1MX22-4T	No	B	2	7	768	EA
VS1MX22-4TD	Yes	B	2	7	844	EA
VS1MX23-4T	No	B	3	10.5	797	EA
VS1MX23-4TD	Yes	B	3	10.5	876	EA
VS1MX25-4T	No	C	5	18	1,136	EA
VS1MX25-4TD	Yes	C	5	18	1,250	EA

## VS1MX – 230V, 50/60 Hz, 3-Phase Input (230V, 3-Phase Output) – NEMA 12 (Green Enclosure)

Catalog Number	Disconnect *	Frame	Hp	Output Current	List Price	Mult. Sym.
VS1MX20P5-2	No	A	0.5	2.3	557	EA
VS1MX20P5-2D	Yes	A	0.5	2.3	613	EA
VS1MX21-2	No	A	1	4.3	578	EA
VS1MX21-2D	Yes	A	1	4.3	636	EA
VS1MX22-2	No	A	2	7	635	EA
VS1MX22-2D	Yes	A	2	7	699	EA
VS1MX22-2T	No	B	2	7	706	EA
VS1MX22-2TD	Yes	B	2	7	776	EA
VS1MX23-2T	No	B	3	10.5	733	EA
VS1MX23-2TD	Yes	B	3	10.5	806	EA

## VS1MX – 460V, 50/60 Hz, 3-Phase Input (460V, 3-Phase Output) – NEMA 4X/12 (White Enclosure)

Catalog Number	Disconnect *	Frame	Hp	Output Current	List Price	Mult. Sym.
VS1MX41-4	No	A	1	2.2	739	EA
VS1MX41-4D	Yes	A	1	2.2	813	EA
VS1MX42-4	No	A	2	4.1	893	EA
VS1MX42-4D	Yes	A	2	4.1	983	EA
VS1MX42-4T	No	B	2	4.1	992	EA
VS1MX42-4TD	Yes	B	2	4.1	1,092	EA
VS1MX43-4T	No	B	3	5.8	1,034	EA
VS1MX43-4TD	Yes	B	3	5.8	1,136	EA
VS1MX45-4T	No	B	5	9.5	1,284	EA
VS1MX45-4TD	Yes	B	5	9.5	1,413	EA
VS1MX47-4T	No	C	7.5	14	1,658	EA
VS1MX47-4TD	Yes	C	7.5	14	1,824	EA
VS1MX410-4T	No	C	10	18	1,966	EA
VS1MX410-4TD	Yes	C	10	18	2,163	EA

**NOTE:** For EMC filtered units, refer to catalog CA769 (Baldor Drives and Capabilities).

\* Disconnect models include speed potentiometer and F-O-R switch.

Farm Duty  
MotorsDefinite Purpose  
MotorsUnit Handling  
Motors

Brake Motors

200 & 575 Volt  
MotorsIEC Frame  
Motors50 Hertz  
MotorsInverter/Vector  
Motors & ControlsDC Motors  
and ControlsSoft Starters &  
Dynamic Brakes

**VS1MX – 460V, 50/60 Hz, 3-Phase Input (460V, 3-Phase Output) – NEMA 12 (Green Enclosure)**

Catalog Number	Disconnect *	Frame	Hp	Output Current	List	Mult. Sym.
VS1MX41-2	No	A	1	2.2	680	EA
VS1MX41-2D	Yes	A	1	2.2	747	EA
VS1MX42-2	No	A	2	4.1	821	EA
VS1MX42-2D	Yes	A	2	4.1	904	EA
VS1MX42-2T	No	B	2	4.1	912	EA
VS1MX42-2TD	Yes	B	2	4.1	1,004	EA
VS1MX43-2T	No	B	3	5.8	950	EA
VS1MX43-2TD	Yes	B	3	5.8	1,045	EA
VS1MX45-2T	No	B	5	9.5	1,181	EA
VS1MX45-2TD	Yes	B	5	9.5	1,300	EA

**NOTE:** For EMC filtered units, refer to catalog CA769 (Baldor Drives and Capabilities).  
\* Disconnect models include speed potentiometer and F-O-R switch.

**Mounting Dimensions - NEMA 12 (IP55)**

Frame	Height Inches (mm)	Width Inches (mm)	Depth Inches (mm)
A	7.87 (200)	5.51 (140)	6.54 (166)
B	12.2 (310)	6.5 (165)	7.09 (180)

**Mounting Dimensions - NEMA 4X (IP66)**

Frame	Height Inches (mm)	Width Inches (mm)	Depth Inches (mm)
A	9.13 (232)	6.34 (161)	6.89 (175)
B	10.12 (257)	7.40 (178)	7.30 (185.5)
C	12.01 (305)	8.29 (210.5)	8.97 (227.8)

**VS1MX Accessories**

**VS1MX Dynamic Braking Resistors**

VS1MX Frame B and C drives include built-in braking transistors to aid in applications requiring the ability to stop rapidly. The resistor kit is designed for the VS1MX and mount external to the drive.

Description	Catalog Number	List Price	Mult. Sym.
DB Resistor 50 Ohm, 200 Watt	VS1MX-R50W200	339	EA

**VS1MX IP55 Padlock**

VS1MX IP55 Drives with a built in disconnect switch can be locked out using the padlock below.

Description	Catalog Number	List Price	Mult. Sym.
VS1MX IP55 Padlock	VS1MX-ILOCK	34	EA

## VS1MX Accessories Continued...

### VS1MX RJ45 Copycat Loader

This device allows uploading of drive parameters. Simply insert the device into the RJ45 port on the front of the VS1MX, press the upload button and you are done. Parameters are stored in memory and can be downloaded later or used to duplicate drive setup across a number of drives. Can also be used with VS1ST.

Catalog Number	Description	List Price	Mult. Sym.
VS1ST-CCL	RJ45 Copycat Loader	27	EA

### VS1MX Remote Keypad

The VS1ST-RKEY3 Remote Keypad can be panel mounted for remote control or display of drive parameters. The kit comes standard with a 9 foot (3 meter) cable and is suitable for IP54 mounting. Depending on the requirement of the application, VS1ST-RKEY3 can be used point to point or with multiple drives. This keypad can be used with either the VS1ST or the VS1MX.

Catalog Number	Description	List Price	Mult. Sym.
VS1ST-RKEY3	Remote Keypad with 3m cable	106	EA

### VS1MX Cable Kits

To support a basic serial network, option cable assemblies and splitters are available.

Catalog Number	Description	List Price	Mult. Sym.
VS1ST-J45SP	RJ45 Cable Splitter	22	EA
VS1ST-CBLOP5	1.5 ft. (0.5m) RJ45 Cable	11	EA
VS1ST-CBL1	3 ft. (1m) RJ45 Cable	11	EA
VS1ST-CBL3	9 ft. (3m) RJ45 Cable	11	EA

### VS1MX Field Bus Gateways

The Field Bus Gateways incorporate the Anybus Communicator and can connect a VS1MX to industrial networks. The communicator performs an intelligent conversion between the drive's serial protocol and the chosen industrial network. Can also be used with VS1ST.

Catalog Number	Description	List Price	Mult. Sym.
VS1ST-PBUS	Profibus Gateway Head	925	EA
VS1ST-DNET	DeviceNet Gateway Head	925	EA

### VS1MX Relay & Control Board Option Cards

To provide additional capabilities for the VS1MX, add on option cards are available. These include both I/O expansion and 115 or 230VAC control logic interface boards. Can also be used with VS1ST.

Catalog Number	Description	List Price	Mult. Sym.
VS1ST-2ROUT	Provides one additional relay output for the drive	148	EA
VS1ST-HVAC	Provides two relays for "drive running" & "drive tripped"	148	EA
VS1ST-LOGHV-11	115 VAC control logic input card	127	EA
VS1ST-LOGHV-23	230 VAC control logic input card	127	EA

### VS1MXS 600V Harsh Duty AC Micro Drive

**1 thru 7.5 Hp      500-600 VAC      3 Phase - 50/60 Hz**

**Product Highlights:** The VS1MXS is a feature rich V/Hz & Sensorless Vector product targeted at the 600V market and harsh duty applications.

**Applications:** Variable torque, constant torque or constant horsepower applications. New installations, replacements and original equipment manufactures (OEM).

**Features:** V/Hz and Sensorless Vector Control with peak overload capacity of 175% and PID capability. Flexible mounting options with IP55 (NEMA 12) enclosure as standard. Integral keypad, operator interface and local speed control. Basic setup parameter list and advanced software settings. Built-in braking transistor allows connection to remote braking resistor for enhanced performance needs. Power ratings up to 7.5 HP at 600V, pluggable I/O terminal strip.



<b>Performance Features</b>	Control Modes	V/Hz & Sensorless Vector Control
	Operator Interface Module	Integral Drive Mounted; basic start/stop, forward/reverse and speed control
	Display Lines	6-Character LED Display
	Programmable Preset Speeds	Eight
	Analog Output: One	0-10VDC or 20mA
	Auto Restart	Yes -- Up to 5 attempts
	Frequency Avoidance	One Band
	Fault Indicators	16 Fault Codes
	Digital Inputs: Four	Two programmable digital inputs, two user selectable analog/digital inputs
	Digital Inputs Type	Pull-Up
<b>Drive Specifications</b>	Analog Inputs: Two	One bi-polar and one 0-10VDC, 0 to 20mA or 4 to 20mA
	Relay Output: One	Built-in Form C Relay, normally open contact
	Analog Output/Digital: One	0-10 VDC: One Analog Usable for Meter (Freq., Current, Voltage) or Digital Output
	Maximum Load:	7.5 HP @ 600 VAC
	Overload Capacity	Drive Output 150% for one minute and 175% for 2 seconds
	Input Voltage Ranges	500 - 600VAC
	Input Voltage Tolerance	10% / -10%
	Rated Input Frequency	50-60Hz (±5%)
	Carrier Frequency	4-32 kHz (8 kHz default)
	Operating Temperature	-10° to 50°C
	Snubber (Dynamic Braking)	Built-in Transistor
	Dynamic Braking External	Up to 150% Dynamic Braking with appropriately sized resistor
	DC Injection Braking	Included
	Volts/Hz	Linear V/Hz, Energy Optimization Function
	Sensorless Vector	Full Sensorless Vector Control with Autotune and motor model
	Frequency Control Range	0 - 2000Hz
	Accel/Decel:	Independently adjustable accel. & decel. ramps
	Keypad Speed Control	Yes
	Sink/Source Inputs	Selectable, 24 VDC Logic
	Electronic Overload Trip	Electronic Motor Overload Inverse 150% for 1 minute or 175% for 2 seconds
Communications	Built-in MODBUS-RTU (RS-485) Communications, RJ11 connection	
PID Control	Built-in with sleep/wake function	
<b>Protective Features</b>	Under Voltage	Level Depends on Voltage Class (600V)
	Output Short Circuit	Phase-to-Phase on Drive Output
	Over Temperature	Heatsink Monitor
	DC Bus Overvoltage	DC Bus Level Trip
	Drive Overload	Exceed Drive rating of 150% for One Minute or 175% for 2 seconds
	Over Current	Over-current/short-Circuit protection
	Output Phase	Trips on open Output Phase
	Loss of Reference	Trips on Loss of Speed Command Signal
	Communication Error	Detects a communication error (fault)
<b>Agency Certifications</b>	UL, cUL, CE, CCC, C-tick	
<b>Service Conditions</b>	Altitude	1,000 m (3,300 ft.) Maximum
	Ambient Temperature	IP20: -10°C to 50°C
	Storage Temperature:	-20°C to 60°C
	Relative Humidity	10% to 90%, non-condensing
	Intermittent Overload	150% overload capacity for up to 1 minute 175% overload capacity for up to 2 seconds

**VS1MXS – 500-600V ±10% 3-Phase Input**

Catalog Number	Frame	Disconnect	Hp	kW	Output Current	List Price	Mult. Sym.
VS1MXS51-2T	B	No	1	0.75	1.7	1,016	EA
VS1MXS51-2TD	B	Yes	1	0.75	1.7	1,118	EA
VS1MXS52-2T	B	No	2	1.5	3.1	1,229	EA
VS1MXS52-2TD	B	Yes	2	1.5	3.1	1,352	EA
VS1MXS53-2T	B	No	3	2.2	4.1	1,420	EA
VS1MXS53-2TD	B	Yes	3	2.2	4.1	1,563	EA
VS1MXS55-2T	B	No	5	4	6.1	1,766	EA
VS1MXS55-2TD	B	Yes	5	4	6.1	1,942	EA
VS1MXS57-2T	B	No	7.5	5.5	9	2,280	EA
VS1MXS57-2TD	B	Yes	7.5	5.5	9	2,507	EA

**Mounting Dimensions**

Frame	Height Inches (mm)	Width Inches (mm)	Depth Inches (mm)
B	12.2 (310)	6.46 (164)	7.09 (180)

**Remote Keypad for the VS1MXS**

The VS1STS-RKEY3 Remote Keypad can be panel mounted for remote control or display of drive parameters. The kit comes standard with a 9 foot (3 meter) cable and is suitable for IP54 mounting. Depending on the requirement of the application, VS1STS-RKEY3 can be used point to point or with multiple drives. This keypad can be used with either the VS1STS or the VS1MXS.

Catalog Number	Description	List Price	Mult. Sym.
VS1STS-RKEY3	Remote Keypad with 3m cable	90	EA

**Cable Kits for the VS1MXS**

To support a basic serial network, option cable assemblies and splitters are available.

Catalog Number	Description	List Price	Mult. Sym.
VS1STS-J11SP	RJ45 Cable Splitter	23	EA
VS1STS-CBLOP3	1 ft. (0.3m) RJ11 Cable	5	EA
VS1STS-CBL1	3 ft. (1m) RJ11 Cable	7	EA
VS1STS-CBL3	9 ft. (3m) RJ11 Cable	11	EA

## VS1PF Pump and Fan AC Drive

**7.5 thru 40 Hp**  
**7.5 thru 700 Hp**  
**7.5 thru 150 Hp**

**230 VAC**  
**460 VAC**  
**600 VAC**

**3 Phase - 50/60 Hz**  
**3 Phase - 50/60 Hz**  
**3 Phase - 50/60 Hz**



**Applications:** Pump and Fan AC Drive Applications (both Variable and Constant Torque) from 5 to 700 Hp.

**Features:** Nema 1 enclosure as standard up to 15Hp. IP00 with NEMA 1 enclosure Kits available from 20 Hp to 125 Hp. IP00 as standard over 125 Hp. Integral keypad and plain English 2-line display including UP/DOWN keys to adjust speed reference. Dual PID control loops. External DBU Dynamic Braking kits connect to remote braking resistor for enhanced performance needs. Sleep/Wake Function -- Ability to disable/re-enable drives automatically as demand dictates. Energy Savings Function. Power Dip Ride-thru. Flying Start Function.

<b>Input Ratings</b>	Voltage	230	460	600
	Voltage Range	170-253	323-528	446-660
	Phase	3 Phase (single phase with 50% derate)		
	Frequency	50/60 Hz +5%		
<b>Output Ratings</b>	Horsepower	7.5-40 Hp @ 230VAC, 3PH; 7.5-700 Hp @ 460VAC, 3 PH; 7.5-150 Hp @ 600 VAC, 3 PH		
	Overload Capacity	Heavy Duty (Constant Torque) = 150% for 60 seconds, 180% for 4 seconds Normal Duty (Variable Torque) = 110% for 60 seconds and 130% for 4 seconds.		
	Frequency	0-120 Hz		
	Voltage	0 to maximum input voltage (RMS)		
<b>Protective Features</b>	Trip	Missing control power, over current, over voltage, under voltage, over temperature (motor or control), output shorted or grounded, motor overload		
	External Output	LED trip condition indicators, 5 assignable logic outputs, 2 assignable analog outputs		
	Short Circuit	Phase to phase, phase to ground		
<b>Environmental Conditions</b>	Temperature	-10 to 40°C. Derate 2% per °C to maximum ambient temperature of 50°C.		
	Cooling	Forced air		
	Enclosure	NEMA 1 and IP00		
	Altitude	Sea level to 3300 Feet (1000 Meters) Derate 2% per 1000 Feet (303 Meters) above 3300 Feet		
	Humidity	10 to 95% RH Non-Condensing		
	Storage Temperature	-40 to +70°C		
<b>Keypad Display</b>	Display	16 character x 2-line, plain-English alpha-numeric display		
	Keys	9 key membrane with tactile response		
	Functions	Output status monitoring, Digital speed control, Parameter setting and display, Diagnostic and Fault log display, Motor run and jog, Local/Remote toggle		
	LED Indicators	Forward run command, Reverse run command, Stop command		
	Remote Mount	4000 foot distance		
	Trip	Separate message and trace log for each trip, last 5 trips retained in memory		
<b>Control Specifications</b>	Control Method	Microprocessor controlled PWM output, selectable encoderless vector or V/Hz inverter		
	Sleep / Wake Function	Ability to disable/re-enable drive automatically as demand dictates		
	Programmable Preset Speeds	Sixteen		
	Accel/Decel	0-6000 seconds, linear, S-Curve, U-Curve		
	Energy Savings Function	Automatic Mode		
	Frequency Control Range	0-120 Hz		
	Frequency Avoidance	3 Bands		
	Selectable Operating Modes	Keypad, 2-Wire, 3-Wire, 16 Preset Speeds, Fan Pump, Process Control.		
<b>Analog Inputs</b>	Two total	One: 0-10VDC or -10 to 10VDC One: 4-20mADC		
		Two: 0-12 VDC		
<b>Analog Outputs</b>	Two	Two: 0-12 VDC		
<b>Digital Inputs</b>	Pull - up or Pull - down	8 Completely Configurable Inputs		
<b>Digital Outputs</b>	Five Total	Four Form A Relays		
		One Form C Relay		



## VS1PF – 230V, 50/60 Hz, 3-Phase

Catalog Number	Frame	Hp (Normal Duty)	Output Current	List Price	Mult. Sym.
VS1PF27-1	A	7.5	24	1,310	EB
VS1PF210-1	B	10	32	1,528	EB
VS1PF215-1	B	15	46	1,692	EB
VS1PF220-9	C	20	60	1,964	EB
VS1PF225-9	C	25	74	2,510	EB
VS1PF230-9	E	30	88	3,273	EB
VS1PF240-9	E	40	115	3,819	EB

## VS1PF – 460V, 50/60 Hz, 3-Phase

Catalog Number	Frame	Hp (Normal Duty)	Output Current	List Price	Mult. Sym.
VS1PF47-1	A	7.5	12	1,255	EB
VS1PF410-1	B	10	16	1,528	EB
VS1PF415-1	B	15	24	1,637	EB
VS1PF420-9	C	20	30	2,030	EB
VS1PF420-9L *	D	20	30	2,400	EB
VS1PF425-9	C	25	39	2,400	EB
VS1PF425-9L *	D	25	39	2,837	EB
VS1PF430-9	E	30	45	3,164	EB
VS1PF430-9L *	F	30	45	3,546	EB
VS1PF440-9	E	40	61	3,819	EB
VS1PF440-9L *	F	40	61	4,201	EB
VS1PF450-9	G	50	75	4,583	EB
VS1PF450-9L *	J	50	75	5,128	EB
VS1PF460-9	G	60	91	5,892	EB
VS1PF460-9L *	J	60	91	6,546	EB
VS1PF475-9	H	75	110	7,092	EB
VS1PF475-9L *	K	75	110	7,746	EB
VS1PF4100-9	L	100	152	7,965	EB
VS1PF4100-9L *	M	100	152	8,838	EB
VS1PF4125-9	L	125	183	9,819	EB
VS1PF4125-9L *	M	125	183	10,747	EB
VS1PF4150-9L *	N	150	223	11,347	EB
VS1PF4200-9L *	N	200	264	13,092	EB
VS1PF4250-9L *	P	250	325	15,275	EB
VS1PF4300-9L *	R	300	413	18,547	EB
VS1PF4350-9L *	R	350	432	21,821	EB
VS1PF4400-9L *	R	400	547	30,548	EB
VS1PF4500-9	S	500	613	34,913	EB
VS1PF4600-9	T	600	731	43,640	EB
VS1PF4700-9	T	700	877	52,368	EB

\* Built-In DC Link Inductor

## VS1PF – 600V, 50/60 Hz, 3-Phase

Catalog Number	Frame	Hp (Normal Duty)	Output Current	List Price	Mult. Sym.
VS1PF57-1	A	7.5	9	1,380	EB
VS1PF510-1	A	10	12	1,680	EB
VS1PF515-1	A	15	17	1,801	EB
VS1PF520-1	C	20	23	2,233	EB
VS1PF525-9	C	25	27	2,640	EB
VS1PF530-9	E	30	34	3,481	EB
VS1PF540-9	E	40	43	4,200	EB
VS1PF550-9	H	50	55	5,041	EB
VS1PF560-9	H	60	64	6,482	EB
VS1PF575-9	H	75	80	7,799	EB
VS1PF5100-9	L	100	104	8,762	EB
VS1PF5125-9	L	125	128	10,800	EB
VS1PF5150-9L	N	150	150	12,481	EB

Farm Duty  
MotorsDefinite Purpose  
MotorsUnit Handling  
Motors

Brake Motors

200 & 575 Volt  
MotorsIEC Frame  
Motors50 Hertz  
MotorsInverter/Vector  
Motors & ControlsDC Motors  
and ControlsSoft Starters &  
Dynamic Brakes

**BALDOR • RELIANCE**

**VS1PF Pump and Fan Bypass AC Drive**

**7.5 thru 40 Hp  
7.5 thru 125 Hp**

**230 VAC  
460 VAC**

**3 Phase - 50/60 Hz  
3 Phase - 50/60 Hz**

**Applications:** Pump and Fan AC Drive Applications from 7.5 to 125 Hp, where System Bypass capability is required.

**Features:** Nema 1 type enclosure, Circuit Breaker with lockable Disconnect, Line Reactor rated at 3%, Surge Suppression, VS1PF control, Thermostat Input, Class 10 Motor Overload, Hand-Off-Auto selector switch, ASD-Bypass-Test Selector Switch, Manual Potentiometer for Hand mode, Analog input voltage or current for Auto mode, Power on, Fault, ASD Bypass indicating light. PID control - Internal and External, Flying Start, Sleep/Wake, Sensorless Vector Control, Energy Savings.

**Options:** Fused Drive Input, Load Reactor, Communication Boards



**VS1PFB – 230V, 50/60 Hz, 3-Phase**

Catalog Number	Frame	Hp (Normal Duty)	Output Current	List Price	Mult. Sym.
VS1PFB27-1	B2	7.5	24	3,899	E1
VS1PFB210-1	B2	10	32	4,086	E1
VS1PFB215-1	B2	15	46	5,207	E1
VS1PFB220-1	C2	20	60	5,933	E1
VS1PFB225-1	C2	25	74	6,928	E1
VS1PFB230-1	E2	30	88	8,008	E1
VS1PFB240-1	E2	40	115	10,259	E1

**VS1PFB – 460V, 50/60 Hz, 3-Phase**

Catalog Number	Frame	Hp (Normal Duty)	Output Current	List Price	Mult. Sym.
VS1PFB47-1	B4	7.5	12	3,928	E1
VS1PFB410-1	B4	10	16	3,975	E1
VS1PFB415-1	B4	15	24	4,753	E1
VS1PFB420-1	C4	20	30	5,709	E1
VS1PFB425-1	C4	25	39	6,522	E1
VS1PFB430-1	E4	30	45	7,529	E1
VS1PFB440-1	E4	40	61	9,542	E1
VS1PFB450-1	G4	50	75	11,024	E1
VS1PFB460-1	G4	60	91	12,060	E1
VS1PFB475-1	H4	75	110	14,613	E1
VS1PFB4100-1	L4	100	152	19,212	E1
VS1PFB4125-1	L4	125	183	20,417	E1

**NOTE:** Above Bypass Units available with optional fused Drive Input and Load Reactors. Contact your local Baldor•Reliance District Office.

Farm Duty Motors

Definite Purpose Motors

Unit Handling Motors

Brake Motors

200 & 575 Volt Motors

IEC Frame Motors

50 Hertz Motors

Inverter/Vector Motors & Controls

DC Motors and Controls

Soft Start & Dynamic Brakes

## VS1PF – Accessories

### VS1PF NEMA 1 Kit

Description	Catalog Number	List Price	Mult. Sym.
NEMA 1 Kit for 20Hp & 25Hp Without Built-In DC Link Inductor	VS1PF-NM1C	60	EB
NEMA 1 Kit for 20Hp & 25Hp With Built-In DC Link Inductor	VS1PF-NM1D	68	EB
NEMA 1 Kit for 30Hp & 40Hp Without Built-In DC Link Inductor	VS1PF-NM1E	79	EB
NEMA 1 Kit for 30Hp & 40Hp With Built-In DC Link Inductor	VS1PF-NM1F	88	EB
NEMA 1 Kit for 50Hp to 75Hp Without Built-In DC Link Inductor	VS1PF-NM1GH	119	EB
NEMA 1 Kit for 50Hp to 75Hp With Built-In DC Link Inductor	VS1PF-NM1JK	119	EB
NEMA 1 Kit for 100Hp & 125Hp Without Built-In DC Link Inductor	VS1PF-NM1L	159	EB
NEMA 1 Kit for 100Hp & 125Hp With Built-In DC Link Inductor	VS1PF-NM1M	159	EB

### VS1PF Drive Keypad

Description	Catalog Number	List Price	Mult. Sym.
VS1PF Drive Keypad 7.5-40 Hp	VS1PF-RKEY	98	EB
VS1PF Drive Keypad 50-700 Hp	VS1PF-RKEY-M	98	EB

### VS1PF NEMA 4X Keypad

A NEMA 4X Keypad is available for remote mounting. Use the cables listed in the VS1PF remote keypad cables table below for mounting the NEMA 4X keypad.

Description	Catalog Number	List Price	Mult. Sym.
VS1PF NEMA 4X Remote Keypad	VS1PF-RKEYN4	206	EB

### VS1PF Remote Keypad Extension Cable

The VS1PF Keypad can be removed and remote mounted to door of a host enclosure. To remote mount the VS1PF Keypad, an extension cable is needed.

Description	Catalog Number	List Price	Mult. Sym.
VS1PF Remote Keypad 2m cable	VS1PF-CBL2	54	EB
VS1PF Remote Keypad 3m cable	VS1PF-CBL3	68	EB
VS1PF Remote Keypad 5m cable	VS1PF-CBL5	83	EB

### VS1PF Remote Keypad Extender Kit

This kit allows a remote keypad to be located up to 4000 feet from the PF device.

Description	Catalog Number	List Price	Mult. Sym.
VS1PF Remote Keypad Extender Kit	VS1PF-KPEXT	1,021	EB

### VS1PF Communication Options

Several Communication Option Boards are available & planned for the VS1PF.

Description	Catalog Number	List Price	Mult. Sym.
DeviceNet Option Board for VS1PF	VS1PF-DNET	320	EB
MODBUS-RTU Option Board for VS1PF	VS1PF-MBUS	272	EB
Profibus Option Board for VS1PF	VS1PF-PBUS	491	EB
MODBUS TCP/IP Option Board for VS1PF	VS1PF-MBTCP	582	EB
LONWORKS Option Board for VS1PF	VS1PF-LON	462	EB
BACNET TCP/IP Option Board for VS1PF	VS1PF-BAC	462	EB
Metasys-N2 Option Board for VS1PF	VS1PF-METV2	462	EB
Siemens P1 Communications Bridge	VS1PF-P1B	857	EB

**BALDOR • RELIANCE**

**VS1PF mA Output Board**

This kit allows the ability for the VS1PF to provide a 0-20mA output signal.

Description	Catalog Number	List Price	Mult. Sym.
VS1PF mA Output Board	VS1PF-MAOUT	206	EB

**VS1 USB to RS485 Converter Kit**

This kit allows communications between a USB port on a computer and the VS1PF Drive RS485 control terminals.

Description	Catalog Number	List Price	Mult. Sym.
VS1 USB to RS485 Converter Kit	VS1-COMMUSB	513	EA

**VS1PF Extended I/O Function Board**

This kit allows the ability to provide a second analog voltage reference input (V2) to the PF drive.

Description	Catalog Number	List Price	Mult. Sym.
VS1PF Extended I/O Function Board	VS1PF-EXTIO	125	EB

**Pressure-to-Electrical Transducer Kit**

This kit converts a 3-15 psig pressure sensor signal into an electrical signal which the PF drive can follow.

Description	Catalog Number	List Price	Mult. Sym.
PTE Transducer Kit	VS1PF-PET	550	EB

**DriveView Software**

DriveView communications software for Baldor VS1PF Drives is available at no charge by downloading from the Baldor VS Drives web site at [www.baldor.com](http://www.baldor.com).

**VS1PF Dynamic Braking Units and Resistors**

Input Volts	Dynamic Braking Unit Selection **					Recommended Dynamic Braking Resistors					
	Hp	Dynamic Braking Unit Catalog Number	List Price (Each)	Mult. Sym.	Minimum Allowable Ohms	Maximum Continuous Braking Wattage	Resistor Catalog Number	List Price (Each)	Mult. Sym.	Ohms	Wattage
230	7.5	VS1PF-T220	612	EB	8.5	3,200	VS1-R20W800	306	EB	20	800
	10	VS1PF-T220	612	EB	8.5	3,200	VS1-R15W1200	370	EB	15	1,200
	15	VS1PF-T220	612	EB	8.5	3,200	VS1-R10W2400	489	EB	10	2,400
	20	VS1PF-T220	612	EB	8.5	3,200	VS1-R10W2400	489	EB	10	2,400
	25	VS1PF-T230	685	EB	5.7	4,800	VS1-R8W2400	489	EB	8	2,400
	30	VS1PF-T230	685	EB	5.7	4,800	VS1-R8W2400	489	EB	8	2,400
	40	VS1PF-T250	1,348	EB	4.2	6,400	VS1-R5W3600	881	EB	5	3,600
	50	VS1PF-T250	1,348	EB	4.2	6,400	VS1-R5W3600	881	EB	5	3,600
	60	VS1PF-T275	1,543	EB	2.8	9,600	VS1-R8W2400 *	489	EB	4	4,800
460	7.5	VS1PF-T420	612	EB	33.9	3,200	VS1-R85W1000	346	EB	85	1,000
	10	VS1PF-T420	612	EB	33.9	3,200	VS1-R60W1200	370	EB	60	1,200
	15	VS1PF-T420	612	EB	33.9	3,200	VS1-R40W2000	465	EA	40	2,000
	20	VS1PF-T420	612	EB	33.9	3,200	VS1-R40W2000	465	EA	40	2,000
	25	VS1PF-T430	685	EB	22.8	4,800	VS1-R30W2400	489	EB	30	2,400
	30	VS1PF-T430	685	EB	22.8	4,800	VS1-R30W2400	489	EB	30	2,400
	40	VS1PF-T450	1,348	EB	16.9	6,400	VS1-R20W3600	881	EB	20	3,600
	50	VS1PF-T450	1,348	EB	16.9	6,400	VS1-R20W3600	881	EB	20	3,600
	60	VS1PF-T475	1,543	EB	11.4	9,600	VS1-R30W2400 *	489	EB	15	4,800
	75	VS1PF-T475	1,543	EB	11.4	9,600	VS1-R30W2400 *	489	EB	15	4,800
100	VS1PF-T4100	1,591	EB	8.4	12,800	VS1-R20W3600 *	881	EB	10	7,200	

\* Use two resistors in parallel to provide the recommended ohms and wattage.

\*\* Enclosure = IP20

The Dynamic Braking Unit and resistors must be mounted separate from the VS1PF drive. See the VS1PF Manual for additional details.

Farm Duty Motors

Definite Purpose Motors

Unit Handling Motors

Brake Motors

200 & 575 Volt Motors

IEC Frame Motors

50 Hertz Motors

Inverter/Vector Motors & Controls

DC Motors and Controls

Soft Start & Dynamic Brakes



Packaged Baldor V\*S Drives provide custom solutions for customer applications. Packaged Baldor V\*S Drives are available for VS1PF drives from 7.5 to 700HP. Standard packaged options are shown in this catalog including NEMA 1, 12, 4, 4X & 3R enclosures, Input fusing & circuit breakers, door mounted operators, input/output contactors, bypass, line/load reactors, control transformers, dynamic braking as well as many other peripheral equipment options. If you don't see the option you need, please contact the factory via your Local Baldor District Sales Office, and we will custom engineer it for you.

The Baldor Drives Center is a UL508A shop and can provide you with UL508A panels.



Farm Duty  
Motors

Definite Purpose  
Motors

Unit Handling  
Motors

Brake Motors

200 & 575 Volt  
Motors

IEC Frame  
Motors

50 Hertz  
Motors

**Inverter/Vector  
Motors & Controls**

DC Motors  
and Controls

Soft Starters &  
Dynamic Brakes

**VS1PF Packaged Drives**

**VS1PF 230 VAC Base Drive Model Number**

Inverter	VS1PF 27-1	VS1PF 210-1	VS1PF 215-1	VS1PF 220-9	VS1PF 225-9	VS1PF 230-9	VS1PF 240-9
Base Drive List	1,277	1,489	1,649	1,915	2,447	3,191	3,723
HP Rating (Variable Torque)	7.5	10	15	20	25	30	40
FLA (Normal Duty)	24	32	46	60	74	88	115
<b>Enclosure Options</b>							
NEMA 1 Cabinet Ventilated	1147	1440	1440	1440	1678	1678	1678
NEMA 12 Cabinet Ventilated	1193	1492	1492	1492	1743	1743	1743
NEMA 12 Cabinet with A/C	2457	3096	3096	3096	3744	3744	3744
NEMA 4 Cabinet with A/C	3690	3888	3888	3888	4536	4536	4536
NEMA 4X Cabinet with A/C	3978	4779	4779	4779	6156	6156	6156
NEMA 3R Rainproof	1519	1777	1777	1777	1890	1890	1890
<b>Input Protection &amp; Disconnect Options</b>							
Input Fuses Only	158	178	178	245	317	317	611
Fused Disconnect Switch & Rotary Handle	403	438	438	505	757	757	1,208
Circuit Breaker Only	752	865	865	865	865	865	911
Circuit Breaker Disconnect & Rotary Handle	1018	1131	1131	1131	1131	1131	1177
<b>Door Mounted Operator Devices</b>							
Door Mounted OIM (Remote Keypad)	75	75	75	75	75	75	75
Maintained Start/Stop Switch	105	105	105	105	105	105	105
Momentary Start/Stop Push Buttons	180	180	180	180	180	180	180
E-Stop Push Button (Mushroom Head)	120	120	120	120	120	120	120
Jog Push Button	90	90	90	90	90	90	90
2 or 3 Position Selection Switch	90	90	90	90	90	90	90
Pilot Light(1)	85	85	85	85	85	85	85
Manual Potentiometer	120	120	120	120	120	120	120
<b>Contactors, Overloads, Starters, Control Transformers &amp; Line Reactors</b>							
Input Contactor(1)	220	450	450	450	450	800	800
Output Contactor(1)	220	450	450	450	450	800	800
Drive Bypass Control(1)	1160	1850	1850	1850	1850	2900	2900
Motor Overload Relay	200	200	250	250	250	310	310
Blower Motor Starter(1,4)	180	180	180	180	180	180	180
Control Transformer: 460:120 VAC, 250VA (2)	275	275	275	275	275	275	275
3% Impedance Input Line or Load Reactor	498	595	631	665	706	824	1069
<b>Other peripheral equipment</b>							
Space Heater (100W)	120	120	120	120	120	120	120
Analog Input or output Isolator	980	980	980	980	980	980	980
Shunt Trip device	280	280	280	280	280	280	280
Undervoltage Release Device	355	355	355	355	355	355	355
RF/EMI filter	590	810	810	980	980	980	1170
DC Power Supply	210	210	210	210	210	210	210
MOV surge protection	100	100	100	100	100	100	100
Input IEEE 519-1992 Harmonic Filter	5210	6270	7210	7700	7920	9910	9940
<b>Dynamic Braking - Transistor + Resistor</b>							
1200W resistors	849	849	849	849	849	849	849
2400W resistors	1299	1299	1299	1299	1299	1299	1299
4800W resistors	2107	2107	2107	2107	2107	2107	2107

(1) Requires Control Transformer option  
 (2) Add \$100 for each 100VA over 250VA  
 (3) Add \$100 for each 100W over the first 100W  
 (4) Required on TEBC motors

Farm Duty Motors

Definite Purpose Motors

Unit Handling Motors

Brake Motors

200 & 575 Volt Motors

IEC Frame Motors

50 Hertz Motors

Inverter/Vector Motors & Controls

DC Motors and Controls

Soft Start & Dynamic Brakes



**VS1PF Packaged Drives**

**VS1PF 460 VAC Base Drive Model Number**

Inverter	VS1PF 47-1	VS1PF 410-1	VS1PF 415-1	VS1PF 420-9	VS1PF 425-9	VS1PF 430-9	VS1PF 440-9	VS1PF 450-9	VS1PF 460-9	VS1PF 475-9	VS1PF 4100-9
Base Drive List	1,223	1,489	1,596	1,979	2,340	3,085	3,723	4,468	5,745	6,915	7,766
HP Rating (Variable Torque)	7.5	10	15	20	25	30	40	50	60	75	100
FLA (Normal Duty)	12	16	24	30	39	45	61	75	91	110	152

**Enclosure Options**

NEMA 1 Cabinet Ventilated	1147	1147	1147	1147	1678	1678	1678	1678	1755	1755	2083
NEMA 12 Cabinet Ventilated	1193	1193	1492	1492	1743	1743	1743	1743	2164	2164	2480
NEMA 12 Cabinet with A/C	2457	2457	3096	3096	3744	3744	3744	3744	4392	4392	4968
NEMA 4 Cabinet with A/C	3690	3690	3888	3888	4536	4536	4536	4536	5508	5508	6318
NEMA 4X Cabinet with A/C	3978	3978	4779	4779	6156	6156	6156	6156	7209	7209	7938
NEMA 3R Rainproof	1519	1519	1777	1777	1890	1890	1890	1890	2902	2902	3881

**Input Protection & Disconnect Options**

Input Fuses Only	158	178	178	245	285	285	285	300	300	550	550
Fused Disconnect Switch & Rotary Handle	403	438	438	505	757	757	1,208	1208	1440	1440	1,440
Circuit Breaker Only	752	865	865	865	865	865	911	911	1100	1100	1100
Circuit Breaker Disconnect & Rotary Handle	1018	1131	1131	1131	1131	1131	1177	1177	1360	1360	1360

**Door Mounted Operator Devices**

Door Mounted OIM (Remote Keypad)	75	75	75	75	75	75	75	75	75	75	75
Maintained Start/Stop Switch	105	105	105	105	105	105	105	105	105	105	105
Momentary Start/Stop Push Buttons	180	180	180	180	180	180	180	180	180	180	180
E-Stop Push Button (Mushroom Head)	120	120	120	120	120	120	120	120	120	120	120
Jog Push Button	90	90	90	90	90	90	90	90	90	90	90
2 or 3 Position Selection Switch	90	90	90	90	90	90	90	90	90	90	90
Pilot Light(1)	85	85	85	85	85	85	85	85	85	85	85
Manual Potentiometer	120	120	120	120	120	120	120	120	120	120	120

**Contactors, Overloads, Starters, Control Transformers & Line Reactors**

Input Contactor(1)	220	220	220	460	460	460	460	450	450	800	800
Output Contactor(1)	220	220	220	460	460	460	460	450	450	800	800
Drive Bypass Control(1)	1160	1160	1160	1880	1880	1880	1880	1400	1400	2100	2100
Motor Overload Relay	200	200	250	250	250	310	310	310	310	420	420
Blower Motor Starter(1,4)	180	180	180	180	180	180	180	180	220	220	220
Control Transformer: 460:120 VAC, 250VA (2)	275	275	275	275	275	275	275	275	275	275	275
3% Impedance Input Line or Load Reactor	362	499	522	823	875	875	704	980	869	869	1130

**Other peripheral equipment**

Space Heater (100W)	120	120	120	120	120	120	120	120	120	120	120
Analog Input or output Isolator	980	980	980	980	980	980	980	980	980	980	980
Shunt Trip device	280	280	280	280	280	280	280	280	280	280	280
Undervoltage Release Device	355	355	355	355	355	355	355	355	355	355	355
RFI/EMI filter	590	810	810	980	980	980	1170	1170	1170	1170	4590
DC Power Supply	210	210	210	210	210	210	210	210	210	210	210
MOV surge protection	100	100	100	100	100	100	100	100	100	100	100
Input IEEE 519-1992 Harmonic Filter	3160	3260	5210	6270	7210	7210	7700	7700	7920	9910	9940

**Dynamic Braking - Transistor + Resistor**

1200W resistors	849	849	849	849	849	849	849	849	849	849	849
2400W resistors	1299	1299	1299	1299	1299	1299	1299	1299	1299	1299	1299
4800W resistors	2107	2107	2107	2107	2107	2107	2107	2107	2107	2107	2107

(1) Requires Control Transformer option  
 (2) Add \$100 for each 100VA over 250VA  
 (3) Add \$100 for each 100W over the first 100W  
 (4) Required on TEBC motors

Farm Duty Motors

Definite Purpose Motors

Unit Handling Motors

Brake Motors

200 & 575 Volt Motors

IEC Frame Motors

50 Hertz Motors

Inverter/Vector Motors & Controls

DC Motors and Controls

Soft Starters & Dynamic Brakes

## VS1PF Packaged Drives

### VS1PF 460 VAC Base Drive Model Number

Inverter	VS1PF 4125-9	VS1PF 4150-9L	VS1PF 4200-9L	VS1PF 4250-9L	VS1PF 4300-9L	VS1PF 4350-9L	VS1PF 4400-9L	VS1PF 4500-9	VS1PF 4600-9	VS1PF 4700-9
Base Drive List	9,574	11,064	12,766	14,894	18,085	21,277	29,787	34,043	42,553	51,064
HP Rating (Variable Torque)	125	150	200	250	300	350	400	500	600	700
FLA (Normal Duty)	183	223	264	325	413	432	547	613	731	877
<b>Enclosure Options</b>										
NEMA 1 Cabinet Ventilated	2315	2315	2625	2625	3856	3856	4280	4280	4280	4280
NEMA 12 Cabinet Ventilated	2756	2756	3224	3224	3224	Contact Baldor				
NEMA 12 Cabinet with A/C	5520	5520	6560	6560	6560					
NEMA 4 Cabinet with A/C	7020	7020	8640	8640	8640					
NEMA 4X Cabinet with A/C	8820	8820	10080	10080	10080					
NEMA 3R Rainproof	4313	4313	5725	5725	5725					
<b>Input Protection &amp; Disconnect Options</b>										
Input Fuses Only	550	550	550	900	900	Contact Baldor				
Fused Disconnect Switch & Rotary Handle	1440	1440	1440	1810	1810					
Circuit Breaker Only	1400	1400	1400	1725	1725	3135	7420	7420	9280	12210
Circuit Breaker Disconnect & Rotary Handle	1625	1625	1625	1970	1970	3485	7770	7770	9630	12560
<b>Door Mounted Operator Devices</b>										
Door Mounted OIM (Remote Keypad)	75	75	75	75	75	Contact Baldor				
Maintained Start/Stop Switch	105	105	105	105	105					
Momentary Start/Stop Push Buttons	180	180	180	180	180					
E-Stop Push Button (Mushroom Head)	120	120	120	120	120					
Jog Push Button	90	90	90	90	90					
2 or 3 Position Selection Switch	90	90	90	90	90					
Pilot Light(1)	85	85	85	85	85					
Manual Potentiometer	120	120	120	120	120					
<b>Contactors, Overloads, Starters, Control Transformers &amp; Line Reactors</b>										
Input Contactor(1)	1050	1050	1050	2500	2500	Contact Baldor				
Output Contactor(1)	1050	1050	1050	2500	2500					
Drive Bypass Control(1)	2600	2600	2600	5500	5500	18750	20690	25050	28485	32085
Motor Overload Relay	420	550	550	550	550	Contact Baldor				
Blower Motor Starter(1,4)	220	220	220	220	220					
Control Transformer: 460:120 VAC, 250VA (2)	275	275	275	275	275					
3% Impedance Input Line or Load Reactor	362	499	522	823	875					
<b>Other peripheral equipment</b>										
Space Heater (100W)	120	120	120	120	120	Contact Baldor				
Analog Input or output Isolator	980	980	980	980	980					
Shunt Trip device	280	280	280	280	280					
Undervoltage Release Device	355	355	355	355	355					
RF/EMI filter										
DC Power Supply	210	210	210	210	210					
MOV surge protection	100	100	100	100	100					
Input IEEE 519-1992 Harmonic Filter										
<b>Dynamic Braking - Transistor + Resistor</b>										
1200W resistors	849	849	849	849	849	Contact Baldor				
2400W resistors	1299	1299	1299	1299	1299					
4800W resistors	2107	2107	2107	2107	2107					

(1) Requires Control Transformer option  
 (2) Add \$100 for each 100VA over 250VA  
 (3) Add \$100 for each 100W over the first 100W  
 (4) Required on TEBC motors

The bypass option includes:  
 - bypass contactor - reduced voltage starter (digital soft start) - additional bay (for bypass contactor, digital soft start, and wiring)



### VS1SP Inverter/Encoderless Vector Drive

<b>1 thru 3 Hp</b>	<b>115/230 VAC</b>	<b>1 Phase - 50/60 Hz</b>
<b>1 thru 60 Hp</b>	<b>230 VAC</b>	<b>3 Phase - 50/60 Hz</b>
<b>1 thru 1000 Hp</b>	<b>460 VAC</b>	<b>3 Phase - 50/60 Hz</b>
<b>1 thru 300 Hp</b>	<b>600 VAC</b>	<b>3 Phase - 50/60 Hz</b>



**Applications:** Constant torque, variable torque or constant horsepower applications. New installations, replacements and original equipment manufacturers (OEM).

**Features:** NEMA 1 and NEMA 4 enclosure. Output frequency 0 to 500 Hz with peak overload capacity of 175%. Separate accel/decel rates and controlled reversing. Built-in two and three input PID process control loop.

<b>Input Ratings</b>	Voltage	115	230	230	460	600
	Voltage Range	95-130	180-264	180-264	340-528	515-660
	Phase	Single Phase			Three Phase (single phase with derating)	
	Frequency	50/60Hz +5%				
	Impedance	1% minimum from mains connection				
<b>Output Ratings</b>	Horsepower	1-3 Hp @ 115/230VAC, 1PH; 1-60 Hp @ 230VAC, 3PH; 1-1000 Hp @ 460VAC, 3PH; 1-300 Hp @ 575VAC, 3PH				
	Overload Capacity	Heavy Duty (Constant Torque) = 150% for 60 seconds, 175% for 3 seconds Normal Duty (Variable Torque) = 115% for 60 seconds				
	Frequency	0-500Hz				
	Voltage	0 to maximum input voltage (RMS) (Note: 0 to 230 V for 115 V Single Phase Units)				
<b>Protective Features</b>	Trip	Missing control power, over current, over voltage, under voltage, over temperature (motor or control), output shorted or grounded, motor overload				
	Stall Prevention	Over voltage suppression, overcurrent suppression				
	External Output	LED trip condition indicators, 4 assignable logic outputs, 2 assignable analog outputs				
	Short Circuit	Phase to phase, phase to ground				
	Electronic Motor Overload	Meets UL508C (I <sup>2</sup> T)				
<b>Environmental Conditions</b>	Temperature	-10 to 45°C. Derate 3% per °C to maximum ambient temperature of 55°C. (NEMA 4X B-Frame -10-40°C)				
	Cooling	Forced air				
	Enclosure	NEMA 1	NEMA 4X			
	Altitude	Sea level to 3300 Feet (1000 Meters) Derate 2% per 1000 Feet (303 Meters) above 3300 Feet				
	Humidity	NEMA 1: 10 to 90% RH Non-Condensing		NEMA 4X: To 100% RH Condensing		
	Shock / Vibration	1G / 0.5G at 10Hz to 60Hz				
	Storage Temperature	-10 to +65°C				
<b>Keypad Display</b>	Display	LCD Graphical 128x64 Pixel				
	Keys	14 key membrane with tactile feedback				
	Functions	Output status monitoring, Digital speed control, Parameter setting and display, Diagnostic and Fault log display, Motor run and jog, Local/Remote toggle				
	LED Indicators	Forward run command, Reverse run command, Stop command, Jog active				
	Remote Mount	200 feet (60.6m) maximum from control, NEMA 4 Rated				
	Trip	Separate message and trace log for each trip, last 10 trips retained in memory				
<b>Control Specifications</b>	Control Method	Microprocessor controlled PWM output, selectable encoderless vector or V/Hz inverter				
	PWM Frequency	Adjustable 1.5-5kHz STD, 5-16 kHz quiet				
	Frequency Setting	±5 VDC, 0-5 VDC ±10 VDC, 0-10 VDC, 4-20 mA or 0-20 mA; digital (keypad), Serial Comms/USB 2.0, and Modbus RTU standard				
	Accel/Decel	0-3600 seconds				
	V/Hz Ratio	Linear to squared reduced, base frequency, output voltage, minimum frequency limit, maximum frequency limit				
	Torque Boost	0-30% of input voltage; automatic with manual override				
	Brake Torque	20% standard on Sizes AA and B, 1% standard on Size C, D; External on E, F, G-Frames				
	Skip Frequency	Three zones 0-Max frequency				
	PC Setup Software	MINT® WorkBench Software available using the USB 2.0 port for commissioning wizard, firmware download, parameter viewer, scope capture and cloning				
	Maximum Output Frequency	500 Hz				
	Selectable Operating Modes	Keypad, Standard Run 2-Wire, Standard Run 3-Wire, 15 Preset Speeds, Fan Pump 2-Wire, Fan Pump 3-Wire, Process Control, 3-SPD ANA 2-Wire, 3-SPD ANA 3-Wire, Electronic Pot 2-Wire, Electronic Pot 3-Wire, Network Profile Run, Bipolar				
<b>Analog Inputs</b>	One Differential	±5VDC, ±10VDC, 4-20 mA and 0-20 mA, 11-bit + sign				
	One Single Ended	0 - 10 VDC, 11-bit				
	Input Impedance	80 kOhms (Volt mode); 500 Ohms (Current mode)				
<b>Analog Outputs</b>	Analog Outputs	2 Assignable				
	Full Scale Range	AOUT1 (0-5V, 0-10V, 0-20mA or 4-20mA), AOUT2 (+5V, +10V)				
	Source Current	1 mA maximum (volt mode), 20mA (current mode)				
	Resolution	9 bits				
<b>Digital Inputs</b>	Opto-isolated Inputs	8 Assignable, 1 dedicated input (Drive Enable)				
	Rated Voltage	10 - 30 VDC (closed contacts std)				
	Input Impedance	4.71 k Ohms				
	Leakage Current	10 mA maximum				
	Update Rate	16 msec				
<b>Digital Outputs (2 Opto Outputs)</b>	Rated Voltage	5 to 30VDC				
	Maximum Current	60 mA Maximum				
	ON Voltage Drop	2 VDC Maximum				
	OFF Leakage Current	0.1 mA Maximum				
	Output Conditions	31 Conditions				
<b>Digital Outputs (2 Relay Outputs)</b>	Rated Voltage	5 to 30VDC or 240VAC				
	Maximum Current	5A Maximum non-inductive				
	Output Conditions	31 Conditions				

**VS1SP Inverter/Encoderless Vector – NEMA 1 Enclosure**

Catalog Number	Size	Heavy Duty				Normal Duty				List Price	Mult. Sym.
		Hp	kW	Cont. Amps	Peak Amps	Hp	kW	Cont. Amps	Peak Amps		
<b>115/230 Volts - Single Phase Input</b>											
VS1SP61-1B	AA	1	0.75	4.2	7.4	2	1.5	6.8	8.5	1,100	EC
VS1SP62-1B	AA	2	1.5	6.8	11.9	3	2.2	9.6	12	1,252	EC
VS1SP63-1B	AA	3	2.2	9.6	16.8	3	2.2	9.6	12	1,463	EC
<b>230 Volts - Three Phase Input</b>											
VS1SP21-1B	AA	1	0.75	4.2	7.35	2	1.5	6.8	8.5	1,000	EC
VS1SP22-1B	AA	2	1.5	6.8	11.9	3	2.2	9.6	12	1,138	EC
VS1SP23-1B	AA	3	2.2	9.6	16.8	5	3.7	15.2	19	1,330	EC
VS1SP25-1B	AA	5	3.7	15.2	26.6	7.5	5.6	22	27.5	1,521	EC
VS1SP27-1B	AA	7.5	5.6	22	38.5	7.5	5.6	22	27.5	1,904	EC
VS1SP210-1B	B	10	7.5	28	49	15	11	42	52.5	2,681	EC
VS1SP215-1B	B	15	11	42	73.5	20	15	54	67.5	3,191	EC
VS1SP220-1B	B	20	15	54	94.5	25	18.7	68	85	4,255	EC
VS1SP225-1B	C	25	18.7	68	119	30	22.4	80	92	5,106	EC
VS1SP230-1B	C	30	22.4	80	140	40	29.8	104	120	6,596	EC
VS1SP240-1B	C	40	29.8	104	182	40	29.8	104	120	7,872	EC
VS1SP250-1B	D	50	37	130	228	60	45	154	177	10,000	EC
VS1SP260-1B	D	60	45	154	270	60	45	154	177	12,703	EC
<b>460 Volts - Three Phase Input</b>											
VS1SP41-1B	AA	1	0.75	2.1	3.68	2	1.5	3.4	4.25	1,202	EC
VS1SP42-1B	AA	2	1.5	3.4	5.95	3	2.2	4.8	6	1,457	EC
VS1SP43-1B	AA	3	2.2	4.8	8.4	5	3.7	7.6	9.5	1,766	EC
VS1SP45-1B	AA	5	3.7	7.6	13.3	7.5	5.6	11	13.75	1,915	EC
VS1SP47-1B	AA	7.5	5.6	11	19.3	10	7.5	14	17.5	2,426	EC
VS1SP410-1B	AA	10	7.4	14	24.5	10	7.5	14	17.5	2,660	EC
VS1SP415-1B	B	15	11	21	36.75	20	15	27	33.75	2,979	EC
VS1SP420-1B	B	20	15	27	47.25	25	18.7	34	42.5	3,617	EC
VS1SP425-1B	B	25	18.7	34	60	30	22	40	50	4,468	EC
VS1SP430-1B	C	30	22.4	40	70	40	29.8	52	60	5,319	EC
VS1SP440-1B	C	40	29.8	52	91	50	37.3	65	75	6,170	EC
VS1SP450-1B	C	50	37.3	65	114	60	44.8	77	89	7,660	EC
VS1SP460-1B	D	60	45	77	135	75	56	96	110	9,998	EC
VS1SP475-1B	D	75	56	96	168	100	75	124	143	11,596	EC
VS1SP4100-1B	D	100	75	124	217	125	93	156	179	13,404	EC
VS1SP4125-1B	D	125	93	156	273	125	93	156	179	14,362	EC
VS1SP4150-1 *	E	150	112	180	315	200	149	240	300	17,250	EC
VS1SP4200-1 *	E	200	149	240	420	250	187	302	378	23,000	EC
VS1SP4250-1 *	E	250	187	302	529	300	224	361	451	28,750	EC
VS1SP4300-1 *	F	300	224	361	632	350	261	414	476	31,915	EC
VS1SP4350-1 *	F	350	261	414	725	400	298	477	549	37,234	EC
VS1SP4400-1 *	F	400	298	477	835	450	336	534	614	42,553	EC
VS1SP4450-1 *	F	450	336	534	935	500	373	590	679	48,936	EC
VS1SP4500-1 *	F	500	373	590	1033	500	373	590	679	57,447	EC
VS1SP4600-1 *	G	600	450	690	1208	700	522	875	1006	CF	EC
VS1SP4700-1 *	G	700	522	875	1531	800	600	975	1121	CF	EC
VS1SP4800-1 *	G	800	600	975	1706	900	671	1095	1259	CF	EC
VS1SP4900-1 *	G	900	671	1095	1916	1000	750	1202	1382	CF	EC
VS1SP41000-1 *	G	1000	750	1202	2104	1000	750	1202	1382	CF	EC

\* VS1SP E, F & G-Frame Drives do not include an internal braking transistor.

CF = Contact Factory

**NOTE:** For higher HP Ratings, see pages 294-295 for information on the Baldor 15H Drives.

Farm Duty Motors

Definite Purpose Motors

Unit Handling Motors

Brake Motors

200 & 575 Volt Motors

IEC Frame Motors

50 Hertz Motors

Inverter/Vector Motors & Controls

DC Motors and Controls

Soft Starters & Dynamic Brakes

**VS1SP Inverter/Encoderless Vector – NEMA 1 Enclosure**

Catalog Number	Size	Heavy Duty				Normal Duty				List Price	Mult. Sym.
		Hp	kW	Cont. Amps	Peak Amps	Hp	kW	Cont. Amps	Peak Amps		
<b>600 Volts - Three Phase Input</b>											
VS1SP51-1B	AA	1	0.75	1.7	3	2	1.5	2.7	3.4	1,322	EC
VS1SP52-1B	AA	2	1.5	2.7	4.7	3	2.2	3.9	4.9	1,603	EC
VS1SP53-1B	AA	3	2.2	3.9	6.8	5	3.7	6.1	7.6	1,943	EC
VS1SP55-1B	AA	5	3.7	6.1	10.7	7.5	5.6	9	11.3	2,106	EC
VS1SP57-1B	AA	7.5	5.6	9	15.8	10	7.5	11	13.8	2,668	EC
VS1SP510-1B	AA	10	7.5	11	19.3	10	7.5	11	13.8	2,926	EC
VS1SP515-1B	B	15	11	17	29.8	20	15	22	27.5	3,745	EC
VS1SP520-1B	B	20	15	22	38.5	25	18.7	27	33.8	4,447	EC
VS1SP525-1B	B	25	18.7	27	47.2	30	22	32	40	5,500	EC
VS1SP530-1B	C	30	22.4	32	56	40	29.8	41	47	6,670	EC
VS1SP540-1B	C	40	29.8	41	72	50	37.3	52	60	8,191	EC
VS1SP550-1B	C	50	37.3	52	91	60	45	62	71	9,830	EC
VS1SP560-1B	D	60	45	62	109	75	56	77	89	11,000	EC
VS1SP575-1B	D	75	56	77	135	100	75	99	114	12,755	EC
VS1SP5100-1B	D	100	75	99	173	125	93	125	144	14,745	EC
VS1SP5125-1B	D	125	93	125	219	150	112	144	166	15,798	EC
VS1SP5150-1 *	E	150	112	144	252	200	149	192	240	18,900	EC
VS1SP5200-1 *	E	200	149	192	336	250	187	242	302	25,200	EC
VS1SP5250-1 *	E	250	187	242	423	300	224	289	361	31,500	EC
VS1SP5300-1 *	E	300	224	289	506	300	224	289	361	35,100	EC

\* VS1SP E-Frame drives do not include an internal braking transistor.

Farm Duty Motors

Definite Purpose Motors

Unit Handling Motors

Brake Motors

200 & 575 Volt Motors

IEC Frame Motors

50 Hertz Motors

Inverter/Vector Motors & Controls

DC Motors and Controls

Soft Start & Dynamic Brakes



VS1SP Inverter/Encoderless Vector – NEMA 4 Washdown Enclosure

Catalog Number	Size	Heavy Duty				Normal Duty				List Price	Mult. Sym.
		Hp	kW	Cont. Amps	Peak Amps	Hp	kW	Cont. Amps	Peak Amps		
<b>115/230 Volts - Single Phase Input</b>											
VS1SP61-4B	AA	1	0.75	4.2	7.4	2	1.5	6.8	8.5	1,182	EC
VS1SP62-4B	AA	2	1.5	6.8	11.9	3	2.2	9.6	12	1,346	EC
VS1SP63-4B	AA	3	2.2	9.6	16.8	3	2.2	9.6	12	1,568	EC
<b>230 Volts - Three Phase Input</b>											
VS1SP21-4B	AA	1	0.75	4.2	7.35	2	1.5	6.8	8.5	1,074	EC
VS1SP22-4B	AA	2	1.5	6.8	11.9	3	2.2	9.6	12	1,223	EC
VS1SP23-4B	AA	3	2.2	9.6	16.8	5	3.7	15.2	19	1,429	EC
VS1SP25-4B	AA	5	3.7	15.2	26.6	7.5	5.6	22	27.5	1,649	EC
VS1SP27-4B	AA	7.5	5.6	22	38.5	7.5	5.6	22	27.5	2,043	EC
VS1SP210-4B	B-N4X	10	7.5	28	49	15	11	42	52.5	2,895	EC
VS1SP215-4B	B-N4X	15	11	42	73.5	20	15	54	67.5	3,446	EC
VS1SP220-4B	B-N4X	20	15	54	94.5	25	18.7	68	85	4,595	EC
<b>460 Volts - Three Phase Input</b>											
VS1SP41-4B	AA	1	0.75	2.1	3.68	2	1.5	3.4	4.25	1,330	EC
VS1SP42-4B	AA	2	1.5	3.4	5.95	3	2.2	4.8	6	1,511	EC
VS1SP43-4B	AA	3	2.2	4.8	8.4	5	3.7	7.6	9.5	1,840	EC
VS1SP45-4B	AA	5	3.7	7.6	13.3	7.5	5.6	11	13.75	2,106	EC
VS1SP47-4B	AA	7.5	5.6	11	19.3	10	7.5	14	17.5	2,766	EC
VS1SP410-4B	AA	10	7.4	14	24.5	10	7.4	14	17.5	2,926	EC
VS1SP415-4B	B-N4X	15	11	21	36.75	20	15	27	33.75	3,744	EC
VS1SP420-4B	B-N4X	20	15	27	47.25	25	18.7	34	42.5	4,447	EC
VS1SP425-4B	B-N4X	25	18.7	34	60	30	22	40	55	5,500	EC
<b>575 Volts - Three Phase Input</b>											
VS1SP51-4B	AA	1	0.75	1.7	3	2	1.5	2.7	3.4	1,463	EC
VS1SP52-4B	AA	2	1.5	2.7	4.7	3	2.2	3.9	4.9	1,662	EC
VS1SP53-4B	AA	3	2.2	3.9	6.8	5	3.7	6.1	7.6	2,024	EC
VS1SP55-4B	AA	5	3.7	6.1	10.7	7.5	5.6	9	11.3	2,317	EC
VS1SP57-4B	AA	7.5	5.6	9	15.8	10	7.5	11	13.8	3,043	EC
VS1SP510-4B	AA	10	7.5	11	19.3	10	7.5	11	13.8	3,218	EC
VS1SP515-4B	B-N4X	15	11	17	29.8	20	15	22	27.5	4,120	EC
VS1SP520-4B	B-N4X	20	15	22	38.5	25	18.7	27	33.8	4,892	EC
VS1SP525-4B	B-N4X	25	18.7	27	47.2	30	22	32	40	6,050	EC

Mounting Dimensions

Frame	Dimensions inches (mm)					Ap'x. Shpg. Wgt.
	Outside			Mounting		
	Height Inches (mm)	Width Inches (mm)	Depth Inches (mm)	Height Inches (mm)	Width Inches (mm)	lbs. (kg)
AA	12.27 (312)	7.97 (202)	8.21 (209)	11.75 (298)	7.38 (187)	20 (9.1)
B	18.00 (457)	9.10 (231)	9.77 (248)	17.25 (438)	7.00 (178)	30 (13.6)
C	22.00 (559)	9.10 (231)	9.77 (248)	21.25 (540)	7.00 (178)	60 (27.2)
D	28.00 (711)	11.50 (292)	13.00 (330)	27.25 (692)	9.50 (241)	120 (54.4)
E	42.81 (1087)	18.75 (476)	16.00 (406)	39.75 (1010)	15.75 (400)	250 (113.4)
F	86.56 (2199)	31.78 (807)	24.59 (625)	Floor Mount		915 (415)*
G	Contact Factory					
B-N4X	17.5 (444)	10.73 (273)	10.47 (266)	16.5 (419)	9.78 (248) or 7.88 (200)	32 (14.5)

Note: E-Frame dimensions include a 3.0" H x 17.5" W x 5.2" D conduit box which is removable for panel mount (chassis) applications.

Frame size F Drives supplied as standard for bottom entry of conduits. Top entry styles available in wider cabinet.

\*VS1SP4300-1 weighs 825 lbs. (374 kg); all other F-Frame models are 915 lbs. (415 kg)

Farm Duty Motors

Definite Purpose Motors

Unit Handling Motors

Brake Motors

200 & 575 Volt Motors

IEC Frame Motors

50 Hertz Motors

Inverter/Vector Motors & Controls

DC Motors and Controls

Soft Starters & Dynamic Brakes

**VS1SP Packaged Drives**

Farm Duty  
Motors

Definite Purpose  
Motors

Unit Handling  
Motors

Brake Motors

200 & 575 Volt  
Motors

IEC Frame  
Motors

50 Hertz  
Motors

Inverter/Vector  
Motors & Controls

DC Motors  
and Controls

Soft Start & Dynamic  
Brakes



Packaged Baldor V\*S Drives provide custom solutions for customer applications. Packaged Baldor V\*S Drives are available for VS1SP drives from 1 to 500HP. Standard packaged options are shown in this catalog including NEMA 1, 12, 4, 4X & 3R enclosures, Input fusing & circuit breakers, door mounted operators, input/output contactors, bypass, line/load reactors, control transformers, dynamic braking as well as many other peripheral equipment options. If you don't see the option you need, please contact the factory via your Local Baldor District Sales Office, and we will custom engineer it for you.

The Baldor Drives Center is a UL508A shop and can provide you with UL508A panels.

**VS1SP Packaged Drives**

**240 VAC Base Drive Model Number**

Inverter	VS1SP 21-1B	VS1SP 22-1B	VS1SP 23-1B	VS1SP 25-1B	VS1SP 27-1B	VS1SP 210-1B	VS1SP 215-1B	VS1SP 220-1B	VS1SP 225-1B	VS1SP 230-1B	VS1SP 240-1B	VS1SP 250-1B	VS1SP 260-1B
Base Drive List	1000	1138	1330	1521	1904	2681	3,191	4,255	5,106	6,596	7,872	10,000	12,703
HP Rating (110% Overload, Normal Duty)	2	3	5	7.5	10	10	20	25	30	40	50	60	75
HP Rating (150% Overload, Heavy Duty)	1	2	3	5	7.5	10	15	20	25	30	40	50	60
FLA (Heavy Duty)	4.2	7	10	16	22	28	42	53	66	78	104	130	154
<b>Enclosure Options</b>													
NEMA 1 Cabinet Ventilated	1032	1032	1032	1032	1296	1296	1296	1510	1510	1510	1579	1579	1579
NEMA 12 Cabinet Ventilated	1073	1073	1073	1073	1342	1342	1342	1568	1568	1568	1947	1947	1947
NEMA 12 Cabinet with A/C	2211	2211	2211	2211	2786	2786	2786	3369	3369	3369	3952	3952	3952
NEMA 4 Cabinet with A/C	3321	3321	3321	3321	3499	3499	3499	4082	4082	4082	4957	4957	4957
NEMA 4X Cabinet with A/C	3580	3580	3580	3580	4301	4301	4301	5540	5540	5540	6488	6488	6488
NEMA 3R Rainproof	1367	1367	1367	1367	1599	1599	1599	1701	1701	1701	2611	2611	2611
<b>Input Protection &amp; Disconnect Options</b>													
Input Fuses Only	158	158	158	158	158	178	178	245	317	317	611	611	611
Fused Disconnect Switch & Rotary Handle	403	403	403	403	403	438	438	505	757	757	1,208	1,208	1,208
Circuit Breaker Only	600	752	752	752	752	865	865	865	865	865	911	911	911
Circuit Breaker Disconnect & Rotary Handle	1018	1018	1018	1018	1018	1131	1131	1131	1131	1131	1177	1177	1177
<b>Door Mounted Operator Devices</b>													
Door Mounted OIM (Remote Keypad)	75	75	75	75	75	75	75	75	75	75	75	75	75
Maintained Start/Stop Switch	105	105	105	105	105	105	105	105	105	105	105	105	105
Momentary Start/Stop Push Buttons	180	180	180	180	180	180	180	180	180	180	180	180	180
E-Stop Push Button (Mushroom Head)	120	120	120	120	120	120	120	120	120	120	120	120	120
Jog Push Button	90	90	90	90	90	90	90	90	90	90	90	90	90
2 or 3 Position Selection Switch	90	90	90	90	90	90	90	90	90	90	90	90	90
Pilot Light(1)	85	85	85	85	85	85	85	85	85	85	85	85	85
Manual Potentiometer	120	120	120	120	120	120	120	120	120	120	120	120	120
<b>Contactors, Overloads, Starters, Control Transformers &amp; Line Reactors</b>													
Input Contactor(1)	220	220	220	220	220	450	450	450	450	800	800	1050	1050
Output Contactor(1)	220	220	220	220	220	450	450	450	450	800	800	1050	1050
Drive Bypass Control(1)	1160	1160	1160	1160	1160	1850	1850	1850	1850	2900	2900	3650	3650
Motor Overload Relay	200	200	200	200	200	200	250	250	250	310	310	420	420
Blower Motor Starter(1,4)	120	120	120	120	180	180	180	180	180	180	180	180	180
Control Transformer: 460:120 VAC, 250VA (2)	275	275	275	275	275	275	275	275	275	275	275	275	275
3% Impedance Input Line or Load Reactor	292	292	472	495	595	631	665	706	824	1069	1434	1667	1667
<b>Other peripheral equipment</b>													
Space Heater (100W)	120	120	120	120	120	120	120	120	120	120	120	120	120
Analog Input or output Isolator	980	980	980	980	980	980	980	980	980	980	980	980	980
Shunt Trip device	280	280	280	280	280	280	280	280	280	280	280	280	280
Undervoltage Release Device	355	355	355	355	355	355	355	355	355	355	355	355	355
RFI/EMI filter	590	590	590	590	590	810	810	980	980	980	1170	1170	1170
DC Power Supply	210	210	210	210	210	210	210	210	210	210	210	210	210
MOV surge protection	100	100	100	100	100	100	100	100	100	100	100	100	100
Input IEEE 519-1992 Harmonic Filter	3160	3160	3160	3260	5210	6270	7210	7700	7920	9910	9940	12190	12190
<b>Dynamic Braking - Transistor + Resistor</b>													
1200W resistors	849	849	849	849	849	849	849	849	849	849	849	849	849
2400W resistors	1299	1299	1299	1299	1299	1299	1299	1299	1299	1299	1299	1299	1299
4800W resistors	2107	2107	2107	2107	2107	2107	2107	2107	2107	2107	2107	2107	2107

(1) Requires Control Transformer option  
 (2) Add \$100 for each 100VA over 250VA  
 (3) Add \$100 for each 100W over the first 100W  
 (4) Required on TEBC motors

Farm Duty Motors

Definite Purpose Motors

Unit Handling Motors

Brake Motors

200 & 575 Volt Motors

IEC Frame Motors

50 Hertz Motors

Inverter/Vector Motors & Controls

DC Motors and Controls

Soft Starters & Dynamic Brakes

**VS1SP Packaged Drives**

**480 VAC Base Drive Model Number**

Inverter	VS1SP 41-1B	VS1SP 42-1B	VS1SP 43-1B	VS1SP 45-1B	VS1SP 47-1B	VS1SP 410-1B	VS1SP 415-1B
Base Drive List	1202	1457	1766	1915	2,26	2660	3404
HP Rating (110% Overload, Normal Duty)	2	3	5	7.5	10	10	20
HP Rating (150% Overload, Heavy Duty)	1	2	3	5	7.5	10	15
FLA (Heavy Duty)	2.1	2.4	4.8	7.6	11	14	21

**Enclosure Options**

NEMA 1 Cabinet Ventilated	1147	1147	1147	1147	1147	1147	1147
NEMA 12 Cabinet Ventilated	1193	1193	1193	1193	1193	1492	1492
NEMA 12 Cabinet with A/C	2457	2457	2457	2457	2457	3096	3096
NEMA 4 Cabinet with A/C	3690	3690	3690	3690	3690	3888	3888
NEMA 4X Cabinet with A/C	3978	3978	3978	3978	3978	4779	4779
NEMA 3R Rainproof	1519	1519	1519	1519	1519	1777	1777

**Input Protection & Disconnect Options**

Input Fuses Only	158	158	158	158	158	178	178
Fused Disconnect Switch & Rotary Handle	403	403	403	403	403	438	438
Circuit Breaker Only	600	752	752	752	752	865	865
Circuit Breaker Disconnect & Rotary Handle	1018	1018	1018	1018	1018	1131	1131

**Door Mounted Operator Devices**

Door Mounted OIM (Remote Keypad)	75	75	75	75	75	75	75
Maintained Start/Stop Switch	105	105	105	105	105	105	105
Momentary Start/Stop Push Buttons	180	180	180	180	180	180	180
E-Stop Push Button (Mushroom Head)	120	120	120	120	120	120	120
Jog Push Button	90	90	90	90	90	90	90
2 or 3 Position Selection Switch	90	90	90	90	90	90	90
Pilot Light(1)	85	85	85	85	85	85	85
Manual Potentiometer	120	120	120	120	120	120	120

**Contactors, Overloads, Starters, Control Transformers & Line Reactors**

Input Contactor(1)	220	220	220	220	220	220	220
Output Contactor(1)	220	220	220	220	220	220	220
Drive Bypass Control(1)	1160	1160	1160	1160	1160	1160	1160
Motor Overload Relay	200	200	200	200	200	200	250
Blower Motor Starter(1,4)	120	120	120	120	180	180	180
Control Transformer: 460:120 VAC, 250VA (2)	275	275	275	275	275	275	275
3% Impedance Input Line or Load Reactor	246	310	362	362	499	522	823

**Other peripheral equipment**

Space Heater (100W)	120	120	120	120	120	120	120
Analog Input or output Isolator	980	980	980	980	980	980	980
Shunt Trip device	280	280	280	280	280	280	280
Undervoltage Release Device	355	355	355	355	355	355	355
RFI/EMI filter	590	590	590	590	590	810	810
DC Power Supply	210	210	210	210	210	210	210
MOV surge protection	100	100	100	100	100	100	100
Input IEEE 519-1992 Harmonic Filter	3160	3160	3160	3160	3160	3260	5210

**Dynamic Braking - Transistor + Resistor**

1200W resistors	849	849	849	849	849	849	849
2400W resistors	1299	1299	1299	1299	1299	1299	1299
4800W resistors	2107	2107	2107	2107	2107	2107	2107

- (1) Requires Control Transformer option
- (2) Add \$100 for each 100VA over 250VA
- (3) Add \$100 for each 100W over the first 100W
- (4) Required on TEBC motors

Farm Duty Motors

Definite Purpose Motors

Unit Handling Motors

Brake Motors

200 & 575 Volt Motors

IEC Frame Motors

50 Hertz Motors

Inverter/Vector Motors & Controls

DC Motors and Controls

Soft Start & Dynamic Brakes

## VS1SP Packaged Drives

## 480 VAC Base Drive Model Number

Inverter	VS1SP 420-1B	VS1SP 425-1B	VS1SP 430-1B	VS1SP 440-1B	VS1SP 450-1B	VS1SP 460-1B	VS1SP 475-1B
Base Drive List	4043	5000	6064	7447	8936	9998	11596
HP Rating (110% Overload)	25	30	40	50	60	75	100
HP Rating (150% Overload)	20	25	30	40	50	60	75
FLA @ 2.5kHz	27	34	40	52	65	77	96
<b>Enclosure Options</b>							
NEMA 1 Cabinet Ventilated	1678	1678	1678	1678	1755	1755	2083
NEMA 12 Cabinet Ventilated	1743	1743	1743	1743	2164	2164	2480
NEMA 12 Cabinet with A/C	3744	3744	3744	3744	4392	4392	4968
NEMA 4 Cabinet with A/C	4536	4536	4536	4536	5508	5508	6318
NEMA 4X Cabinet with A/C	6156	6156	6156	6156	7209	7209	7938
NEMA 3R Rainproof	1890	1890	1890	1890	2902	2902	3881
<b>Input Protection &amp; Disconnect Options</b>							
Input Fuses Only	245	317	317	317	317	317	550
Fused Disconnect Switch & Rotary Handle	505	757	757	1,208	1208	1208	1485
Circuit Breaker Only	865	865	865	911	1100	1100	1100
Circuit Breaker Disconnect & Rotary Handle	1131	1131	1131	1177	1310	1310	1310
<b>Door Mounted Operator Devices</b>							
Door Mounted OIM (Remote Keypad)	75	75	75	75	75	75	75
Maintained Start/Stop Switch	105	105	105	105	105	105	105
Momentary Start/Stop Push Buttons	180	180	180	180	180	180	180
E-Stop Push Button (Mushroom Head)	120	120	120	120	120	120	120
Jog Push Button	90	90	90	90	90	90	90
2 or 3 Position Selection Switch	90	90	90	90	90	90	90
Pilot Light(1)	85	85	85	85	85	85	85
Manual Potentiometer	120	120	120	120	120	120	120
<b>Contactors, Overloads, Starters, Control Transformers &amp; Line Reactors</b>							
Input Contactor(1)	460	460	460	460	450	450	800
Output Contactor(1)	460	460	460	460	460	800	800
Drive Bypass Control(1)	1880	1880	1880	1880	1880	2100	2100
Motor Overload Relay	250	250	310	310	310	310	420
Blower Motor Starter(1,4)	180	180	180	180	180	220	220
Control Transformer: 460:120 VAC, 250VA (2)	275	275	275	275	275	275	275
3% Impedance Input Line or Load Reactor	875	875	704	980	869	869	1130
<b>Other peripheral equipment</b>							
Space Heater (100W)	120	120	120	120	120	120	120
Analog Input or output Isolator	980	980	980	980	980	980	980
Shunt Trip device	280	280	280	280	280	280	280
Undervoltage Release Device	355	355	355	355	355	355	355
RFI/EMI filter	980	980	980	1170	1170	1170	4590
DC Power Supply	210	210	210	210	210	210	210
MOV surge protection	100	100	100	100	100	100	100
Input IEEE 519-1992 Harmonic Filter	6270	7210	7210	7700	7920	9910	9940
<b>Dynamic Braking – Transistor + Resistor</b>							
1200W resistors	849	849	849	849	849	849	849
2400W resistors	1299	1299	1299	1299	1299	1299	1299
4800W resistors	2107	2107	2107	2107	2107	2107	2107

(1) Requires Control Transformer option

(2) Add \$100 for each 100VA over 250VA

(3) Add \$100 for each 100W over the first 100W

(4) Required on TEBC motors

**VS1SP Packaged Drives**

<b>480 VAC Base Drive Model Number</b>									
<b>Inverter</b>	<b>VS1SP 4100-1B</b>	<b>VS1SP 4125-1B</b>	<b>VS1SP 4150-1B</b>	<b>VS1SP 4200-1B</b>	<b>VS1SP 4250-1B</b>	<b>VS1SP 4300-1</b>	<b>VS1SP 4350-1</b>	<b>VS1SP 4400-1</b>	<b>VS1SP 4450-1</b>
Base Drive List	13404	14362	17250	23000	28750	34500	40250	46000	51750
HP Rating (110% Overload)	125	150	200	250	300	350	400	450	500
HP Rating (150% Overload)	100	125	150	200	250	300	350	400	450
FLA @ 2.5kHz	124	156	180	240	302	361	414	477	534
<b>Enclosure Options</b>									
NEMA 1 Cabinet Ventilated	2083	2083	2625	2625	2625	4280	4280	4280	4280
NEMA 12 Cabinet Ventilated	2480	2480	3224	3224	3224	Contact Baldor			
NEMA 12 Cabinet with A/C	4968	4968	6560	6560	6560				
NEMA 4 Cabinet with A/C	6318	6318	8640	8640	8640				
NEMA 4X Cabinet with A/C	7938	7938	10080	10080	10080				
NEMA 3R Rainproof	3881	3881	5725	5725	5725				
<b>Input Protection &amp; Disconnect Options</b>									
Input Fuses Only	550	550	550	900	900	Contact Baldor			
Fused Disconnect Switch & Rotary Handle	1485	1485	1485	1680	1680				
Circuit Breaker Only	1400	1400	1400	1800	1800	7420	7420	7420	7420
Circuit Breaker Disconnect & Rotary Handle	1625	1625	1625	2000	2000	7770	7770	7770	7770
<b>Door Mounted Operator Devices</b>									
Door Mounted OIM (Remote Keypad)	75	75	75	75	75	Contact Baldor			
Maintained Start/Stop Switch	105	105	105	105	105				
Momentary Start/Stop Push Buttons	180	180	180	180	180				
E-Stop Push Button (Mushroom Head)	120	120	120	120	120				
Jog Push Button	90	90	90	90	90				
2 or 3 Position Selection Switch	90	90	90	90	90				
Pilot Light(1)	85	85	85	85	85				
Manual Potentiometer	120	120	120	120	120				
<b>Contactors, Overloads, Starters, Control Transformers &amp; Line Reactors</b>									
Input Contactor(1)	800	1050	1050	1050	2500	Contact Baldor			
Output Contactor(1)	800	1050	1050	1050	2500				
Drive Bypass Control(1)	2100	2600	2600	2600	5500	20690	25050	25050	28485
Motor Overload Relay	420	420	550	550	550	Contact Baldor			
Blower Motor Starter(1,4)	220	220	220	220	220				
Control Transformer: 460:120 VAC, 250VA (2)	275	275	275	275	275				
3% Impedance Input Line or Load Reactor	1510	1759	2059	2881	3069	3069	4675	4675	5649
<b>Other peripheral equipment</b>									
Space Heater (100W)	120	120	120	120	120	Contact Baldor			
Analog Input or output Isolator	980	980	980	980	980				
Shunt Trip device	280	280	280	280	280				
Undervoltage Release Device	355	355	355	355	355				
RFI/EMI filter	4590	4590	8290	8290	13350				
DC Power Supply	210	210	210	210	210				
MOV surge protection	100	100	100	100	100				
Input IEEE 519-1992 Harmonic Filter	12190	15420	17460	19320	26080				
<b>Dynamic Braking – Transistor + Resistor</b>									
1200W resistors	849	849	849	849	849	Contact Baldor			
2400W resistors	1299	1299	1299	1299	1299				
4800W resistors	2107	2107	2107	2107	2107				
4800W resistors	2107	2107	2107	2107	2107				

(1) Requires Control Transformer option  
 (2) Add \$100 for each 100VA over 250VA  
 (3) Add \$100 for each 100W over the first 100W  
 (4) Required on TEBC motors

The bypass option includes:  
 - bypass contactor - reduced voltage starter (digital soft start) - additional bay (for bypass contactor, digital soft start, and wiring)

Farm Duty Motors

Definite Purpose Motors

Unit Handling Motors

Brake Motors

200 & 575 Volt Motors

IEC Frame Motors

50 Hertz Motors

Inverter/Vector Motors & Controls

DC Motors and Controls

Soft Start & Dynamic Brakes



**VS1SP Packaged Drives**

<b>575 VAC Base Drive Model Number</b>											
<b>Inverter</b>	<b>VS1SP 51-1B</b>	<b>VS1SP 52-1B</b>	<b>VS1SP 53-1B</b>	<b>VS1SP 55-1B</b>	<b>VS1SP 57-1B</b>	<b>VS1SP 510-1B</b>	<b>VS1SP 515-1B</b>	<b>VS1SP 520-1B</b>	<b>VS1SP 525-1B</b>	<b>VS1SP 530-1B</b>	<b>VS1SP 540-1B</b>
Base Drive List	1322	1603	1943	2106	2668	2926	3745	4447	5500	6670	8191
HP Rating (110% Overload, Normal Duty)	2	3	5	7.5	10	10	20	25	30	40	50
HP Rating (150% Overload, Heavy Duty)	1	2	3	5	7.5	10	15	20	25	30	40
FLA (Heavy Duty)	1.7	2.7	3.9	6.1	9	11	17	22	27	32	41
Base Drive List	2106	2188	2282	2574	2959	3361	4213	4915	6202	7255	9128
<b>Enclosure Options</b>											
NEMA 1 Cabinet Ventilated	1147	1147	1147	1147	1147	1147	1147	1678	1678	1678	1678
NEMA 12 Cabinet Ventilated	1193	1193	1193	1193	1193	1492	1492	1743	1743	1743	1743
NEMA 12 Cabinet with A/C	2457	2457	2457	2457	2457	3870	3870	4680	4680	4680	4680
NEMA 4 Cabinet with A/C	3690	3690	3690	3690	3690	3888	3888	4536	4536	4536	4536
NEMA 4X Cabinet with A/C	3978	3978	3978	3978	3978	4779	4779	6156	6156	6156	6156
NEMA 3R Rainproof	1519	1519	1519	1519	1519	1777	1777	1890	1890	1890	1890
<b>Input Protection &amp; Disconnect Options</b>											
Input Fuses Only	158	158	158	158	158	178	178	245	317	317	611
Fused Disconnect Switch & Rotary Handle	403	403	403	403	403	438	438	505	757	757	1,208
Circuit Breaker Only	600	752	752	752	752	865	865	865	865	865	911
Circuit Breaker Disconnect & Rotary Handle	1018	1018	1018	1018	1018	1131	1131	1131	1131	1131	1177
<b>Door Mounted Operator Devices</b>											
Door Mounted OIM (Remote Keypad)	75	75	75	75	75	75	75	75	75	75	75
Maintained Start/Stop Switch	105	105	105	105	105	105	105	105	105	105	105
Momentary Start/Stop Push Buttons	180	180	180	180	180	180	180	180	180	180	180
E-Stop Push Button (Mushroom Head)	120	120	120	120	120	120	120	120	120	120	120
Jog Push Button	90	90	90	90	90	90	90	90	90	90	90
2 or 3 Position Selection Switch	90	90	90	90	90	90	90	90	90	90	90
Pilot Light(1)	85	85	85	85	85	85	85	85	85	85	85
Manual Potentiometer	120	120	120	120	120	120	120	120	120	120	120
<b>Contactors, Overloads, Starters, Control Transformers &amp; Line Reactors</b>											
Input Contactor(1)	220	220	220	220	220	220	220	220	220	450	450
Output Contactor(1)	220	220	220	220	220	220	220	220	220	450	450
Drive Bypass Control(1)	1160	1160	1160	1160	1160	1160	1160	1160	1160	1850	1850
Motor Overload Relay	200	200	200	200	200	200	200	250	250	250	310
Blower Motor Starter(1,4)	120	120	120	120	180	180	180	180	180	180	180
Control Transformer: 460:120 VAC, 250VA (2)	275	275	275	275	275	275	275	275	275	275	275
3% Impedance Input Line OR Load Reactor	273	273	424	362	478	499	522	823	823	875	704
<b>Other peripheral equipment</b>											
Space Heater (100W)	120	120	120	120	120	120	120	120	120	120	120
Analog Input or output Isolator	980	980	980	980	980	980	980	980	980	980	980
Shunt Trip device	280	280	280	280	280	280	280	280	280	280	280
Undervoltage Release Device	355	355	355	355	355	355	355	355	355	355	355
RF/EMI filter	590	590	590	590	590	590	810	810	810	980	980
DC Power Supply	210	210	210	210	210	210	210	210	210	210	210
MOV surge protection	100	100	100	100	100	100	100	100	100	100	100
Input IEEE 519-1992 Harmonic Filter	4420	4420	4420	4420	4420	4420	4580	7290	7290	10090	10300
<b>Dynamic Braking - Transistor + Resistor</b>											
1200W resistors	849	849	849	849	849	849	849	849	849	849	849
2400W resistors	1299	1299	1299	1299	1299	1299	1299	1299	1299	1299	1299
4800W resistors	2107	2107	2107	2107	2107	2107	2107	2107	2107	2107	2107
4800W resistors	2107	2107	2107	2107	2107	2107	2107	2107	2107	2107	2107

(1) Requires Control Transformer option  
 (2) Add \$100 for each 100VA over 250VA  
 (3) Add \$100 for each 100W over the first 100W  
 (4) Required on TEBC motors

Farm Duty Motors

Definite Purpose Motors

Unit Handling Motors

Brake Motors

200 & 575 Volt Motors

IEC Frame Motors

50 Hertz Motors

Inverter/Vector Motors & Controls

DC Motors and Controls

Soft Starters & Dynamic Brakes

**VS1SP Packaged Drives**

<b>600 VAC Base Drive Model Number</b>								
<b>Inverter</b>	<b>VS1SP 550-1B</b>	<b>VS1SP 560-1B</b>	<b>VS1SP 575-1B</b>	<b>VS1SP 5100-1B</b>	<b>VS1SP 5125-1B</b>	<b>VS1SP 5150-1B</b>	<b>VS1SP 5200-1</b>	<b>VS1SP 5250-1</b>
Base Drive List	9830	11000	12755	14745	15798	18900	25200	31500
HP Rating (110% Overload, Normal Duty)	60	75	100	125	150	200	250	300
HP Rating (150% Overload, Heavy Duty)	50	60	75	100	125	150	200	250
FLA (Heavy Duty)	52	62	77	99	125	144	192	242
<b>Enclosure Options</b>								
NEMA 1 Cabinet Ventilated	1755	1755	2083	2083	2083	2625	2625	2625
NEMA 12 Cabinet Ventilated	2164	2164	2480	2480	2480	3224	3224	3224
NEMA 12 Cabinet with A/C	4392	4392	4968	4968	4968	6560	6560	6560
NEMA 4 Cabinet with A/C	5508	5508	6318	6318	6318	8640	8640	8640
NEMA 4X Cabinet with A/C	7209	7209	7938	7938	7938	10080	10080	10080
NEMA 3R Rainproof	2902	2902	3881	3881	3881	5725	5725	5725
<b>Input Protection &amp; Disconnect Options</b>								
Input Fuses Only	317	317	550	550	550	550	900	900
Fused Disconnect Switch & Rotary Handle	1208	1208	1485	1485	1485	1485	1680	1680
Circuit Breaker Only	1100	1100	1100	1400	1400	1400	1800	1800
Circuit Breaker Disconnect & Rotary Handle	1310	1310	1310	1625	1625	1625	2000	2000
<b>Door Mounted Operator Devices</b>								
Door Mounted OIM (Remote Keypad)	75	75	75	75	75	75	75	75
Maintained Start/Stop Switch	105	105	105	105	105	105	105	105
Momentary Start/Stop Push Buttons	180	180	180	180	180	180	180	180
E-Stop Push Button (Mushroom Head)	120	120	120	120	120	120	120	120
Jog Push Button	90	90	90	90	90	90	90	90
2 or 3 Position Selection Switch	90	90	90	90	90	90	90	90
Pilot Light(1)	85	85	85	85	85	85	85	85
Manual Potentiometer	120	120	120	120	120	120	120	120
<b>Contactors, Overloads, Starters, Control Transformers &amp; Line Reactors</b>								
Input Contactor(1)	450	450	800	800	1050	1050	1050	2500
Output Contactor(1)	450	450	800	800	1050	1050	1050	2500
Drive Bypass Control(1)	1400	1400	2100	2100	2600	2600	2600	5500
Motor Overload Relay	310	310	420	420	420	550	550	550
Blower Motor Starter(1,4)	180	220	220	220	220	220	220	220
Control Transformer: 460:120 VAC, 250VA (2)	275	275	275	275	275	275	275	275
3% Impedance Input Line OR Load Reactor	980	869	869	1130	1510	1759	2059	2881
<b>Other peripheral equipment</b>								
Space Heater (100W)	120	120	120	120	120	120	120	120
Analog Input or output Isolator	980	980	980	980	980	980	980	980
Shunt Trip device	280	280	280	280	280	280	280	280
Undervoltage Release Device	355	355	355	355	355	355	355	355
RFI/EMI filter	1170	1170	4590	4590	4590	8290	8290	13350
DC Power Supply	210	210	210	210	210	210	210	210
MOV surge protection	100	100	100	100	100	100	100	100
Input IEEE 519-1992 Harmonic Filter	7920	9910	9940	12190	15420	17460	19320	26080
<b>Dynamic Braking - Transistor + Resistor</b>								
1200W resistors	849	849	849	849	849	849	849	849
2400W resistors	1299	1299	1299	1299	1299	1299	1299	1299
4800W resistors	2107	2107	2107	2107	2107	2107	2107	2107
4800W resistors	2107	2107	2107	2107	2107	2107	2107	2107

(1) Requires Control Transformer option  
 (2) Add \$100 for each 100VA over 250VA  
 (3) Add \$100 for each 100W over the first 100W  
 (4) Required on TEBC motors

Farm Duty  
Motors

Definite Purpose  
Motors

Unit Handling  
Motors

Brake  
Motors

200 & 575 Volt  
Motors

IEC Frame  
Motors

50 Hertz  
Motors

Inverter/Vector  
Motors & Controls

DC Motors  
and Controls

Soft Start & Dynamic  
Brakes

**VS1GV  
Vector  
Drive**



**1 thru 3 Hp**  
**1 thru 60 Hp**  
**1 thru 1000 Hp**  
**1 thru 300 Hp**

**115/230 VAC**  
**230 VAC**  
**460 VAC**  
**600 VAC**

**1 Phase - 50/60 Hz**  
**3 Phase - 50/60 Hz**  
**3 Phase - 50/60 Hz**  
**3 Phase - 50/60 Hz**

**Applications:** Constant torque or constant horsepower applications. New installations, replacements and original equipment manufacturers (OEM).

**Features:** NEMA 1 and NEMA 4 enclosure. Output frequency 0 to 500 Hz with peak overload capacity of 175%. Digital speed or torque control. Built-in two and three input PID process control loop. Automatic tuning to motor and full rated torque down to zero speed.

<b>Input Ratings</b>	Voltage	115	230	230	460	600
	Voltage Range	95-130	180-264	180-264	340-528	515-660
	Phase	Single Phase			Three Phase (single phase with derating)	
	Frequency	50/60Hz +5%				
	Impedance	1% minimum from mains connection				
<b>Output Ratings</b>	Horsepower	1-3 Hp @ 115/230VAC, 1PH; 1-60 Hp @ 230VAC, 3PH; 1-1000 Hp @ 460VAC, 3PH; 1-300 Hp @ 575VAC, 3PH				
	Overload Capacity	Heavy Duty (Constant Torque) = 150% for 60 seconds, 175% for 3 seconds Normal Duty (Variable Torque) = 115% for 60 seconds				
	Frequency	0-500Hz				
	Voltage	0 to maximum input voltage (RMS) (Note: 0 to 230 V for 115 V Single Phase Units)				
<b>Protective Features</b>	Trip	Missing control power, over current, over voltage, under voltage, over temperature (motor or control), output shorted or grounded, motor overload, encoder loss.				
	Stall Prevention	Over voltage suppression, overcurrent suppression				
	External Output	LED trip condition indicators, 4 assignable logic outputs, 2 assignable analog outputs				
	Short Circuit	Phase to phase, phase to ground				
	Electronic Motor Overload	Meets UL508C (I <sup>2</sup> T)				
<b>Environmental Conditions</b>	Temperature	-10 to 45°C. Derate 3% per °C to maximum ambient temperature of 55°C. (NEMA 4X B-Frame -10-40°C)				
	Cooling	Forced air				
	Enclosure	NEMA 1		NEMA 4X		
	Altitude	Sea level to 3300 Feet (1000 Meters) Derate 2% per 1000 Feet (303 Meters) above 3300 Feet				
	Humidity	NEMA 1: 10 to 90% RH Non-Condensing			NEMA 4X: To 100% RH Condensing	
	Shock / Vibration	1G / 0.5G at 10Hz to 60Hz				
<b>Storage Temperature</b>	-10 to +65°C					
<b>Keypad Display</b>	Display	LCD Graphical 128x64 Pixel				
	Keys	14 key membrane with tactile feedback				
	Functions	Output status monitoring, Digital speed control, Parameter setting and display, Diagnostic and Fault log display, Motor run and jog, Local/Remote toggle, One-step tuning				
	LED Indicators	Forward run command, Reverse run command, Stop command, Jog active				
	Remote Mount	200 feet (60.6m) maximum from control, NEMA 4 Rated				
	Trip	Separate message and trace log for each trip, last 10 trips retained in memory				
<b>Control Specifications</b>	Control Method	Microprocessor controlled PWM output, selectable closed loop vector, encoderless vector or V/Hz inverter				
	PWM Frequency	Adjustable 1.5-5kHz STD, 5-16 kHz quiet				
	Frequency Setting	±5 VDC, 0-5 VDC ±10 VDC, 0-10 VDC, 4-20 mA or 0-20 mA; digital (keypad), Serial Comms/USB 2.0, and Modbus RTU standard				
	Accel/Decel	0-3600 seconds				
	Brake Torque	20% standard on Sizes AA and B, 1% standard on Size C, D, transistor only standard size E, F & G				
	Motor Matching	Automatic tuning to motor with manual override				
	PC Setup Software	MINT® WorkBench Software available using the USB 2.0 port for commissioning wizard, firmware download, parameter viewer, scope capture and cloning				
	Maximum Output Frequency	500 Hz				
	Selectable Operating Modes	Keypad, Standard Run, 2-Wire, Standard Run 3-Wire, 15 Preset Speeds, Fan Pump 2-Wire, Fan Pump 3-Wire, Process Control, 3-SPD ANA 2-Wire, 3-SPD ANA 3-Wire, Electronic Pot 2-Wire, Electronic Pot 3-Wire, Network Profile Run, Bipolar				
	<b>Motor Feedback</b>	Feedback Type	Incremental encoder coupled to motor shaft; optional resolver feedback			
Pulses/Rev		60-20,000 selectable, 1024 standard				
Voltage Output		2 channel in quadrature, 5 VDC, differential				
Marker Pulse		Required for position orientation				
Power Input		5 VDC, 12 VDC, 300 mA maximum				
Max. Frequency		4 MHz				
<b>Analog Inputs</b>	Positioning	Buffered encoder pulse train output for position loop controller				
	One Differential	±5VDC, ±10VDC, 4-20 mA and 0-20 mA, 11-bit + sign				
	One Single Ended	0 - 10 VDC, 11-bit				
<b>Analog Outputs</b>	Input Impedance	80 kOhms (Volt mode); 500 Ohms (Current mode)				
	Analog Outputs	2 Assignable				
	Full Scale Range	AOUT1 (0-5V, 0-10V, 0-20mA or 4-20mA), AOUT2 (+5V, +10V)				
	Source Current	1 mA maximum (volt mode), 20mA (current mode)				
<b>Digital Inputs</b>	Resolution	9 bits				
	Opto-isolated Inputs	8 Assignable, 1 dedicated input (Drive Enable)				
	Rated Voltage	10 - 30 VDC (closed contacts std)				
	Input Impedance	4.71 k Ohms				
	Leakage Current	10 mA maximum				
	Update Rate	16 msec				
<b>Digital Outputs (2 Opto Outputs)</b>	Rated Voltage	5 to 30VDC				
	Maximum Current	60 mA Maximum				
	ON Voltage Drop	2 VDC Maximum				
	OFF Leakage Current	0.1 mA Maximum				
	Output Conditions	31 Conditions				
<b>Digital Outputs (2 Relay Outputs)</b>	Rated Voltage	5 to 30VDC or 240VAC				
	Maximum Current	5A Maximum non-inductive				
	Output Conditions	31 Conditions				

Farm Duty Motors

Definite Purpose Motors

Unit Handling Motors

Brake Motors

200 & 575 Volt Motors

IEC Frame Motors

50 Hertz Motors

Inverter/Vector Motors & Controls

DC Motors and Controls

Soft Starters & Dynamic Brakes

**VS1GV Closed Loop Vector  
NEMA 1 Enclosure**

Catalog Number	Size	Heavy Duty				Normal Duty				List Price	Mult. Sym.
		Hp	kW	Cont. Amps	Peak Amps	Hp	kW	Cont. Amps	Peak Amps		
<b>115/230 Volts - Single Phase Input</b>											
VS1GV61-1B	AA	1	0.75	4.2	7.4	2	1.5	6.8	8.5	1,545	EC
VS1GV62-1B	AA	2	1.5	6.8	11.9	3	2.2	9.6	12	1,744	EC
VS1GV63-1B	AA	3	2.2	9.6	16.8	3	2.2	9.6	12	1,943	EC
<b>230 Volts - Three Phase Input</b>											
VS1GV21-1B	AA	1	0.75	4.2	7.35	2	1.5	6.8	8.5	1,404	EC
VS1GV22-1B	AA	2	1.5	6.8	11.9	3	2.2	9.6	12	1,585	EC
VS1GV23-1B	AA	3	2.2	9.6	16.8	5	3.7	15.2	19	1,766	EC
VS1GV25-1B	AA	5	3.7	15.2	26.6	7.5	5.6	22	27.5	2,043	EC
VS1GV27-1B	AA	7.5	5.6	22	38.5	7.5	5.6	22	27.5	2,309	EC
VS1GV210-1B	B	10	7.5	28	49	15	11	42	52.5	3,138	EC
VS1GV215-1B	B	15	11	42	73.5	20	15	54	67.5	3,836	EC
VS1GV220-1B	B	20	15	54	94.5	25	18.7	68	85	4,895	EC
VS1GV225-1B	C	25	18.7	68	119	30	22.4	80	92	5,745	EC
VS1GV230-1B	C	30	22.4	80	140	40	29.8	104	120	7,564	EC
VS1GV240-1B	C	40	29.8	104	182	40	29.8	104	120	8,723	EC
VS1GV250-1B	D	50	37	130	228	60	45	154	177	11,170	EC
VS1GV260-1B	D	60	45	154	270	60	45	154	177	14,303	EC
<b>460 Volts - Three Phase Input</b>											
VS1GV41-1B	AA	1	0.75	2.1	3.68	2	1.5	3.4	4.25	1,915	EC
VS1GV42-1B	AA	2	1.5	3.4	5.95	3	2.2	4.8	6	1,989	EC
VS1GV43-1B	AA	3	2.2	4.8	8.4	5	3.7	7.6	9.5	2,075	EC
VS1GV45-1B	AA	5	3.7	7.6	13.3	7.5	5.6	11	13.75	2,340	EC
VS1GV47-1B	AA	7.5	5.6	11	19.3	10	7.5	14	17.5	2,690	EC
VS1GV410-1B	AA	10	7.4	14	24.5	10	7.5	14	17.5	3,055	EC
VS1GV415-1B	B	15	11	21	36.75	20	15	27	33.75	3,277	EC
VS1GV420-1B	B	20	15	27	47.25	25	18.7	34	42.5	3,979	EC
VS1GV425-1B	B	25	18.7	34	60	30	22	40	50	4,915	EC
VS1GV430-1B	C	30	22.4	40	70	40	29.8	52	60	5,851	EC
VS1GV440-1B	C	40	29.8	52	91	50	37.3	65	75	6,787	EC
VS1GV450-1B	C	50	37.3	65	114	60	44.8	77	89	8,426	EC
VS1GV460-1B	D	60	45	77	135	75	56	96	110	10,532	EC
VS1GV475-1B	D	75	56	96	168	100	75	124	143	12,340	EC
VS1GV4100-1B	D	100	75	124	217	125	93	156	179	14,255	EC
VS1GV4125-1B	D	125	93	156	273	125	93	156	179	15,106	EC
VS1GV4150-1T *	E	150	112	180	315	200	149	240	300	18,150	EC
VS1GV4200-1T *	E	200	149	240	420	250	187	302	378	24,200	EC
VS1GV4250-1T *	E	250	187	302	529	300	224	361	451	30,250	EC
VS1GV4300-1T *	F	300	224	361	632	350	261	414	476	33,511	EC
VS1GV4350-1T *	F	350	261	414	725	400	298	477	549	39,096	EC
VS1GV4400-1T *	F	400	298	477	835	450	336	534	614	44,681	EC
VS1GV4450-1T *	F	450	336	534	935	500	373	590	679	51,382	EC
VS1GV4500-1 *	F	500	373	590	1033	500	373	590	679	60,319	EC
VS1GV4600-1 *	G	600	450	690	1208	700	522	875	1006	CF	—
VS1GV4700-1 *	G	700	522	875	1531	800	600	975	1121	CF	—
VS1GV4800-1 *	G	800	600	975	1706	900	671	1095	1259	CF	—
VS1GV4900-1 *	G	900	671	1095	1916	1000	750	1202	1382	CF	—
VS1GV41000-1 *	G	1000	750	1202	2104	1000	750	1202	1382	CF	—

\* VS1GV "-1T"; "-1" drives do not include an internal braking transistor. An integral braking resistor is not included.

CF = Contact Factory

**NOTE:** For higher HP Ratings, see pages 296-297 for information on the Baldor 18H Drives.

Farm Duty  
Motors

Definite Purpose  
Motors

Unit Handling  
Motors

Brake Motors

200 & 575 Volt  
Motors

IEC Frame  
Motors

50 Hertz  
Motors

Inverter/Vector  
Motors & Controls

DC Motors  
and Controls

Soft Start & Dynamic  
Brakes

**VS1GV Closed Loop Vector  
NEMA 1 Enclosure**

Catalog Number	Size	Heavy Duty				Normal Duty				List Price	Mult. Sym.
		Hp	kW	Cont. Amps	Peak Amps	Hp	kW	Cont. Amps	Peak Amps		
<b>575 Volts - Three Phase Input</b>											
VS1GV51-1B	AA	1	0.75	1.7	3	2	1.5	2.7	3.4	2,106	EC
VS1GV52-1B	AA	2	1.5	2.7	4.7	3	2.2	3.9	4.9	2,188	EC
VS1GV53-1B	AA	3	2.2	3.9	6.8	5	3.7	6.1	7.6	2,282	EC
VS1GV55-1B	AA	5	3.7	6.1	10.7	7.5	5.6	9	11.3	2,574	EC
VS1GV57-1B	AA	7.5	5.6	9	15.8	10	7.5	11	13.8	2,959	EC
VS1GV510-1B	AA	10	7.5	11	19.3	10	7.5	11	13.8	3,361	EC
VS1GV515-1B	B	15	11	17	29.8	20	15	22	27.5	4,213	EC
VS1GV520-1B	B	20	15	22	38.5	25	18.7	27	33.8	4,915	EC
VS1GV525-1B	B	25	18.7	27	47.2	30	22	32	40	6,202	EC
VS1GV530-1B	C	30	22.4	32	56	40	29.8	41	47	7,255	EC
VS1GV540-1B	C	40	29.8	41	72	50	37.3	52	60	9,128	EC
VS1GV550-1B	C	50	37.3	52	91	60	45	62	71	10,766	EC
VS1GV560-1B	D	60	45	62	109	75	56	77	89	11,585	EC
VS1GV575-1B	D	75	56	77	135	100	75	99	114	13,574	EC
VS1GV5100-1B	D	100	75	99	173	125	93	125	144	15,681	EC
VS1GV5125-1B	D	125	93	125	219	150	112	144	166	16,617	EC
VS1GV5150-1T *	E	150	112	144	252	200	149	192	240	19,950	EC
VS1GV5200-1T *	E	200	149	192	336	250	187	242	302	26,600	EC
VS1GV5250-1T *	E	250	187	242	423	300	224	289	361	33,250	EC
VS1GV5300-1T *	E	300	224	289	506	300	224	289	361	36,860	EC

\* VS1GV E-frame drives include an internal braking transistor. An internal braking resistor is not included.

Farm Duty  
Motors

Definite Purpose  
Motors

Unit Handling  
Motors

Brake Motors

200 & 575 Volt  
Motors

IEC Frame  
Motors

50 Hertz  
Motors

Inverter/Vector  
Motors & Controls

DC Motors  
and Controls

Soft Starters &  
Dynamic Brakes

**VS1GV Closed Loop Vector  
NEMA 4 Washdown Enclosure**

Catalog Number	Size	Heavy Duty				Normal Duty				List Price	Mult. Sym.
		Hp	kW	Cont. Amps	Peak Amps	Hp	KW	Cont. Amps	Peak Amps		
<b>115/230 Volts - Single Phase Input</b>											
VS1GV61-4B	AA	1	0.75	4.2	7.4	2	1.5	6.8	8.5	1,655	EC
VS1GV62-4B	AA	2	1.5	6.8	11.9	3	2.2	9.6	12	1,884	EC
VS1GV63-4B	AA	3	2.2	9.6	16.8	3	2.2	9.6	12	2,195	EC
<b>230 Volts - Three Phase Input</b>											
VS1GV21-4B	AA	1	0.75	4.2	7.35	2	1.5	6.8	8.5	1,504	EC
VS1GV22-4B	AA	2	1.5	6.8	11.9	3	2.2	9.6	12	1,713	EC
VS1GV23-4B	AA	3	2.2	9.6	16.8	5	3.7	15.2	19	1,996	EC
VS1GV25-4B	AA	5	3.7	15.2	26.6	7.5	5.6	22	27.5	2,309	EC
VS1GV27-4B	AA	7.5	5.6	22	38.5	7.5	5.6	22	27.5	2,869	EC
VS1GV210-4B	B-N4X	10	7.5	28	49	15	11	42	52.5	3,452	EC
VS1GV215-4B	B-N4X	15	11	42	73.5	20	15	54	67.5	4,220	EC
VS1GV220-4B	B-N4X	20	15	54	94.5	25	18.7	68	85	5,385	EC
<b>460 Volts - Three Phase Input</b>											
VS1GV41-4B	AA	1	0.75	2.1	3.68	2	1.5	3.4	4.25	1,995	EC
VS1GV42-4B	AA	2	1.5	3.4	5.95	3	2.2	4.8	6	2,115	EC
VS1GV43-4B	AA	3	2.2	4.8	8.4	5	3.7	7.6	9.5	2,393	EC
VS1GV45-4B	AA	5	3.7	7.6	13.3	7.5	5.6	11	13.75	2,738	EC
VS1GV47-4B	AA	7.5	5.6	11	19.3	10	7.5	14	17.5	3,319	EC
VS1GV410-4B	AA	10	7.4	14	24.5	10	7.4	14	17.5	3,511	EC
VS1GV415-4B	B-N4X	15	11	21	36.75	20	15	27	33.75	4,213	EC
VS1GV420-4B	B-N4X	20	15	27	47.25	25	18.7	34	42.5	4,916	EC
VS1GV425-4B	B-N4X	25	18.7	34	60	30	22	40	55	6,202	EC
<b>575 Volts - Three Phase Input</b>											
VS1GV51-4B	AA	1	0.75	1.7	3	2	1.5	2.7	3.4	2,194	EC
VS1GV52-4B	AA	2	1.5	2.7	4.7	3	2.2	3.9	4.9	2,326	EC
VS1GV53-4B	AA	3	2.2	3.9	6.8	5	3.7	6.1	7.6	2,632	EC
VS1GV55-4B	AA	5	3.7	6.1	10.7	7.5	5.6	9	11.3	3,012	EC
VS1GV57-4B	AA	7.5	5.6	9	15.8	10	7.5	11	13.8	3,651	EC
VS1GV510-4B	AA	10	7.5	11	19.3	10	7.5	11	13.8	3,862	EC
VS1GV515-4B	B-N4X	15	11	17	29.8	20	15	22	27.5	4,634	EC
VS1GV520-4B	B-N4X	20	15	22	38.5	25	18.7	27	33.8	5,407	EC
VS1GV525-4B	B-N4X	25	18.7	27	47.2	30	22	32	40	6,822	EC

**Mounting Dimensions**

Frame	Dimensions inches (mm)					Ap'x. Shpg. Wgt.
	Outside			Mounting		
	Height Inches (mm)	Width Inches (mm)	Depth Inches (mm)	Height Inches (mm)	Width Inches (mm)	lbs. (kg)
AA	12.27 (312)	7.97 (202)	8.21 (209)	11.75 (298)	7.38 (187)	20 (9.1)
B	18.00 (457)	9.10 (231)	9.77 (248)	17.25 (438)	7.00 (178)	30 (13.6)
C	22.00 (559)	9.10 (231)	9.77 (248)	21.25 (540)	7.00 (178)	60 (27.2)
D	28.00 (711)	11.50 (292)	13.00 (330)	27.25 (692)	9.50 (241)	120 (54.4)
E	42.81 (1087)	18.75 (476)	16.00 (406)	39.75 (1010)	15.75 (400)	250 (113.4)
F	86.56 (2199)	31.78 (807)	24.59 (625)	Floor Mount		915 (415)*
G	Consult Factory					
B-N4X	17.5 (444)	10.73 (273)	10.47 (266)	16.5 (419)	9.76 (248) or 7.88 (210)	3.2 (14.5)

Note: E-Frame dimensions include a 3.0" H x 17.5" W x 5.2" D conduit box which is removable for panel mount (chassis) applications.

Frame size F Drives supplied as standard for bottom entry of conduits. Top entry styles available in wider cabinet.

\*VS1GV4300-1 weighs 825 lbs. (374 kg); all other F-Frame models are 915 lbs. (415 kg)

Farm Duty Motors

Definite Purpose Motors

Unit Handling Motors

Brake Motors

200 & 575 Volt Motors

IEC Frame Motors

50 Hertz Motors

Inverter/Vector Motors & Controls

DC Motors and Controls

Soft Start & Dynamic Brakes





Packaged Baldor V\*S Drives provide custom solutions for customer applications. Packaged Baldor V\*S Drives are available for VS1GV drives from 1 to 500HP. Standard packaged options are shown in this catalog including NEMA 1, 12, 4, 4X & 3R enclosures, Input fusing & circuit breakers, door mounted operators, input/output contactors, bypass, line/load reactors, control transformers, dynamic braking as well as many other peripheral equipment options. If you don't see the option you need, please contact the factory via your Local Baldor District Sales Office, and we will custom engineer it for you.

The Baldor Drives Center is a UL508A shop and can provide you with UL508A panels.

Farm Duty  
Motors

Definite Purpose  
Motors

Unit Handling  
Motors

Brake Motors

200 & 575 Volt  
Motors

IEC Frame  
Motors

50 Hertz  
Motors

**Inverter/Vector  
Motors & Controls**

DC Motors  
and Controls

Soft Starters &  
Dynamic Brakes

VS1GV Packaged Drives

240 VAC Base Drive Model Number

Vector	VS1GV 21-1B	VS1GV 22-1B	VS1GV 23-1B	VS1GV 25-1B	VS1GV 27-1B	VS1GV 210-1B	VS1GV 215-1B	VS1GV 220-1B	VS1GV 225-1B	VS1GV 230-1B	VS1GV 240-1B	VS1GV 250-1B	VS1GV 260-1B
Base Drive List	1404	1585	1766	2043	2309	3138	3836	4895	5745	7564	8723	11170	14303
HP Rating (110% Overload, Normal Duty)	2	3	5	7.5	10	10	20	25	30	40	50	60	75
HP Rating (150% Overload, Heavy Duty)	1	2	3	5	7.5	10	15	20	25	30	40	50	60
FLA (Heavy Duty)	4.2	7	10	16	22	28	42	53	66	78	104	130	154

Enclosure Options

NEMA 1 Cabinet Ventilated	1032	1032	1032	1032	1296	1296	1296	1510	1510	1510	1579	1579	1579
NEMA 12 Cabinet Ventilated	1073	1073	1073	1073	1342	1342	1342	1568	1568	1568	1947	1947	1947
NEMA 12 Cabinet with A/C	2211	2211	2211	2211	2786	2786	2786	3369	3369	3369	3952	3952	3952
NEMA 4 Cabinet with A/C	3321	3321	3321	3321	3499	3499	3499	4082	4082	4082	4957	4957	4957
NEMA 4X Cabinet with A/C	3580	3580	3580	3580	4301	4301	4301	5540	5540	5540	6488	6488	6488
NEMA 3R Rainproof	1367	1367	1367	1367	1599	1599	1599	1701	1701	1701	2611	2611	2611

Input Protection & Disconnect Options

Input Fuses Only	158	158	158	158	158	178	178	245	317	317	611	611	611
Fused Disconnect Switch & Rotary Handle	403	403	403	403	403	438	438	505	757	757	1208	1208	1208
Circuit Breaker Only	600	752	752	752	752	865	865	865	865	865	911	911	911
Circuit Breaker Disconnect & Rotary Handle	1018	1018	1018	1018	1018	1131	1131	1131	1131	1131	1177	1177	1177

Door Mounted Operator Devices

Door Mounted OIM (Remote Keypad)	75	75	75	75	75	75	75	75	75	75	75	75	75
Maintained Start/Stop Switch	105	105	105	105	105	105	105	105	105	105	105	105	105
Momentary Start/Stop Push Buttons	180	180	180	180	180	180	180	180	180	180	180	180	180
E-Stop Push Button (Mushroom Head)	120	120	120	120	120	120	120	120	120	120	120	120	120
Jog Push Button	90	90	90	90	90	90	90	90	90	90	90	90	90
2 or 3 Position Selection Switch	90	90	90	90	90	90	90	90	90	90	90	90	90
Pilot Light(1)	85	85	85	85	85	85	85	85	85	85	85	85	85
Manual Potentiometer	120	120	120	120	120	120	120	120	120	120	120	120	120

Contactors, Overloads, Starters, Control Transformers & Line Reactors

Input Contactor(1)	220	220	220	220	220	450	450	450	450	800	800	1050	1050
Output Contactor(1)	220	220	220	220	220	450	450	450	450	800	800	1050	1050
Drive Bypass Control(1)	1160	1160	1160	1160	1160	1850	1850	1850	1850	2900	2900	3650	3650
Motor Overload Relay	200	200	200	200	200	200	250	250	250	310	310	420	420
Blower Motor Starter(1,4)	120	120	120	120	180	180	180	180	180	180	180	180	180
Control Transformer: 460:120 VAC, 250VA (2)	275	275	275	275	275	275	275	275	275	275	275	275	275
3% Impedance Input Line or Load Reactor	292	292	472	495	595	631	665	706	824	1069	1434	1667	1667

Other peripheral equipment

Space Heater (100W)	120	120	120	120	120	120	120	120	120	120	120	120	120
Analog Input or output Isolator	980	980	980	980	980	980	980	980	980	980	980	980	980
Shunt Trip device	280	280	280	280	280	280	280	280	280	280	280	280	280
Undervoltage Release Device	355	355	355	355	355	355	355	355	355	355	355	355	355
RFI/EMI filter	590	590	590	590	590	810	810	980	980	980	1170	1170	1170
DC Power Supply	210	210	210	210	210	210	210	210	210	210	210	210	210
MOV surge protection	100	100	100	100	100	100	100	100	100	100	100	100	100
Input IEEE 519-1992 Harmonic Filter	3160	3160	3160	3260	5210	6270	7210	7700	7920	9910	9940	12190	12190

Dynamic Braking - Transistor + Resistor

1200W resistors	849	849	849	849	849	849	849	849	849	849	849	849	849
2400W resistors	1299	1299	1299	1299	1299	1299	1299	1299	1299	1299	1299	1299	1299
4800W resistors	2107	2107	2107	2107	2107	2107	2107	2107	2107	2107	2107	2107	2107

- (1) Requires Control Transformer option
- (2) Add \$100 for each 100VA over 250VA
- (3) Add \$100 for each 100W over the first 100W
- (4) Required on TEBC motors

Farm Duty Motors

Definite Purpose Motors

Unit Handling Motors

Brake Motors

200 & 575 Volt Motors

IEC Frame Motors

50 Hertz Motors

Inverter/Vector Motors & Controls

DC Motors and Controls

Soft Start & Dynamic Brakes

**VS1GV Packaged Drives**

**480 VAC Base Drive Model Number**

Vector	VS1GV 41-1B	VS1GV 42-1B	VS1GV 43-1B	VS1GV 45-1B	VS1GV 47-1B	VS1GV 410-1B	VS1GV 415-1B	VS1GV 420-1B	VS1GV 425-1B	VS1GV 430-1B	VS1GV 440-1B
Base Drive List	1915	1989	2075	2340	2690	3055	3830	4469	5638	6596	8298
HP Rating (110% Overload, Normal Duty)	2	3	5	7.5	10	10	20	25	30	40	50
HP Rating (150% Overload, Heavy Duty)	1	2	3	5	7.5	10	15	20	25	30	40
FLA (Heavy Duty)	2.1	2.4	4.8	7.6	11	14	21	27	34	40	52

**Enclosure Options**

NEMA 1 Cabinet Ventilated	1147	1147	1147	1147	1147	1147	1147	1678	1678	1678	1678
NEMA 12 Cabinet Ventilated	1193	1193	1193	1193	1193	1492	1492	1743	1743	1743	1743
NEMA 12 Cabinet with A/C	2457	2457	2457	2457	2457	3096	3096	3744	3744	3744	3744
NEMA 4 Cabinet with A/C	3690	3690	3690	3690	3690	3888	3888	4536	4536	4536	4536
NEMA 4X Cabinet with A/C	3978	3978	3978	3978	3978	4779	4779	6156	6156	6156	6156
NEMA 3R Rainproof	1519	1519	1519	1519	1519	1777	1777	1890	1890	1890	1890

**Input Protection & Disconnect Options**

Input Fuses Only	158	158	158	158	158	178	178	245	317	317	317
Fused Disconnect Switch & Rotary Handle	403	403	403	403	403	438	438	505	757	757	1208
Circuit Breaker Only	600	752	752	752	752	865	865	865	865	865	911
Circuit Breaker Disconnect & Rotary Handle	1018	1018	1018	1018	1018	1131	1131	1131	1131	1131	1177

**Door Mounted Operator Devices**

Door Mounted OIM (Remote Keypad)	75	75	75	75	75	75	75	75	75	75	75
Maintained Start/Stop Switch	105	105	105	105	105	105	105	105	105	105	105
Momentary Start/Stop Push Buttons	180	180	180	180	180	180	180	180	180	180	180
E-Stop Push Button (Mushroom Head)	120	120	120	120	120	120	120	120	120	120	120
Jog Push Button	90	90	90	90	90	90	90	90	90	90	90
2 or 3 Position Selection Switch	90	90	90	90	90	90	90	90	90	90	90
Pilot Light(1)	85	85	85	85	85	85	85	85	85	85	85
Manual Potentiometer	120	120	120	120	120	120	120	120	120	120	120

**Contactors, Overloads, Starters, Control Transformers & Line Reactors**

Input Contactor(1)	220	220	220	220	220	220	220	460	460	460	460
Output Contactor(1)	220	220	220	220	220	220	220	460	460	460	460
Drive Bypass Control(1)	1160	1160	1160	1160	1160	1160	1160	1880	1880	1880	1880
Motor Overload Relay	200	200	200	200	200	200	250	250	250	310	310
Blower Motor Starter(1,4)	120	120	120	120	180	180	180	180	180	180	180
Control Transformer: 460:120 VAC, 250VA (2)	275	275	275	275	275	275	275	275	275	275	275
3% Impedance Input Line or Load Reactor	246	310	362	362	499	522	823	875	875	704	980

**Other peripheral equipment**

Space Heater (100W)	120	120	120	120	120	120	120	120	120	120	120
Analog Input or output Isolator	980	980	980	980	980	980	980	980	980	980	980
Shunt Trip device	280	280	280	280	280	280	280	280	280	280	280
Undervoltage Release Device	355	355	355	355	355	355	355	355	355	355	355
RFI/EMI filter	590	590	590	590	590	810	810	980	980	980	1170
DC Power Supply	210	210	210	210	210	210	210	210	210	210	210
MOV surge protection	100	100	100	100	100	100	100	100	100	100	100
Input IEEE 519-1992 Harmonic Filter	3160	3160	3160	3160	3160	3260	5210	6270	7210	7210	7700

**Dynamic Braking - Transistor + Resistor**

1200W resistors	849	849	849	849	849	849	849	849	849	849	849
2400W resistors	1299	1299	1299	1299	1299	1299	1299	1299	1299	1299	1299
4800W resistors	2107	2107	2107	2107	2107	2107	2107	2107	2107	2107	2107

- (1) Requires Control Transformer option
- (2) Add \$100 for each 100VA over 250VA
- (3) Add \$100 for each 100W over the first 100W
- (4) Required on TEBC motors

Farm Duty Motors

Definite Purpose Motors

Unit Handling Motors

Brake Motors

200 & 575 Volt Motors

IEC Frame Motors

50 Hertz Motors

Inverter/Vector Motors & Controls

DC Motors and Controls

Soft Starters & Dynamic Brakes

**VS1GV Packaged Drives**

**480 VAC Base Drive Model Number**

Vector	VS1GV 450-1B	VS1GV 460-1B	VS1GV 475-1B	VS1GV 4100-1B	VS1GV 4125-1B	VS1GV 4150-1T	VS1GV 4200-1T	VS1GV 4250-1T	VS1GV 4300-1T	VS1GV 4350-1T	VS1GV 4400-1T	VS1GV 4450-1T
Base Drive List	9787	10532	12340	14255	15106	18150	24200	30250	36300	42350	48400	54450
HP Rating (110% Overload, Normal Duty)	60	75	100	125	150	200	250	300	350	400	450	500
HP Rating (150% Overload, Heavy Duty)	50	60	75	100	125	150	200	250	300	350	400	450
FLA @ 2.5 kHz	65	77	96	124	156	180	240	302	361	414	477	534

**Enclosure Options**

NEMA 1 Cabinet Ventilated	1755	1755	2083	2083	2083	2625	2625	2625	4280	4280	4280	4280
NEMA 12 Cabinet Ventilated	2164	2164	2480	2480	2480	3224	3224	3224	Contact Baldor			
NEMA 12 Cabinet with A/C	4392	4392	4968	4968	4968	6560	6560	6560				
NEMA 4 Cabinet with A/C	5508	5508	6318	6318	6318	8640	8640	8640				
NEMA 4X Cabinet with A/C	7209	7209	7938	7938	7938	10080	10080	10080				
NEMA 3R Rainproof	2902	2902	3881	3881	3881	5725	5725	5725				

**Input Protection & Disconnect Options**

Input Fuses Only	317	317	550	550	550	550	900	900	Contact Baldor			
Fused Disconnect Switch & Rotary Handle	1208	1208	1485	1485	1485	1485	1680	1680				
Circuit Breaker Only	1100	1100	1100	1400	1400	1400	1800	1800	7420	7420	7420	7420
Circuit Breaker Disconnect & Rotary Handle	1310	1310	1310	1625	1625	1625	2000	2000	7770	7770	7770	7770

**Door Mounted Operator Devices**

Door Mounted OIM (Remote Keypad)	75	75	75	75	75	75	75	75	Contact Baldor			
Maintained Start/Stop Switch	105	105	105	105	105	105	105	105				
Momentary Start/Stop Push Buttons	180	180	180	180	180	180	180	180				
E-Stop Push Button (Mushroom Head)	120	120	120	120	120	120	120	120				
Jog Push Button	90	90	90	90	90	90	90	90				
2 or 3 Position Selection Switch	90	90	90	90	90	90	90	90				
Pilot Light(1)	85	85	85	85	85	85	85	85				
Manual Potentiometer	120	120	120	120	120	120	120	120				

**Contactors, Overloads, Starters, Control Transformers & Line Reactors**

Input Contactor(1)	450	450	800	800	1050	1050	1050	2500	Contact Baldor			
Output Contactor(1)	460	800	800	800	1050	1050	1050	2500				
Drive Bypass Control(1)	1880	2100	2100	2100	2600	2600	2600	5500	20690	25050	25050	28485
Motor Overload Relay	310	310	420	420	420	550	550	550	Contact Baldor			
Blower Motor Starter(1,4)	180	220	220	220	220	220	220	220				
Control Transformer: 460:120 VAC, 250VA (2)	275	275	275	275	275	275	275	275				
3% Impedance Input Line or Load Reactor	869	869	1130	1510	1759	2059	2881	3069	3069	4675	4675	5649

**Other peripheral equipment**

Space Heater (100W)	120	120	120	120	120	120	120	120	Contact Baldor			
Analog Input or output Isolator	980	980	980	980	980	980	980	980				
Shunt Trip device	280	280	280	280	280	280	280	280				
Undervoltage Release Device	355	355	355	355	355	355	355	355				
RFI/EMI filter	1170	1170	4590	4590	4590	8290	8290	13350				
DC Power Supply	210	210	210	210	210	210	210	210				
MOV surge protection	100	100	100	100	100	100	100	100				
Input IEEE 519-1992 Harmonic Filter	7920	9910	9940	12190	15420	17460	19320	26080				

**Dynamic Braking - Transistor + Resistor**

1200W resistors	849	849	849	849	849	849	849	849	Contact Baldor			
2400W resistors	1299	1299	1299	1299	1299	1299	1299	1299				
4800W resistors	2107	2107	2107	2107	2107	2107	2107	2107				
4800W resistors	2107	2107	2107	2107	2107	2107	2107	2107				

- (1) Requires Control Transformer option
- (2) Add \$100 for each 100VA over 250VA
- (3) Add \$100 for each 100W over the first 100W
- (4) Required on TEBC motors

The bypass option includes:

- bypass contactor - reduced voltage starter (digital soft start) - additional bay (for bypass contactor, digital soft start, and wiring)

Farm Duty  
Motors

Definite Purpose  
Motors

Unit Handling  
Motors

Brake  
Motors

200 & 575 Volt  
Motors

IEC Frame  
Motors

50 Hertz  
Motors

Inverter/Vector  
Motors & Controls

DC Motors  
and Controls

Soft Start & Dynamic  
Brakes

**VS1GV Packaged Drives**

**480 VAC Base Drive Model Number**

Vector	VS1GV 51-1B	VS1GV 52-1B	VS1GV 53-1B	VS1GV 55-1B	VS1GV 57-1B	VS1GV 510-1B	VS1GV 515-1B	VS1GV 520-1B	VS1GV 525-1B	VS1GV 530-1B	VS1GV 540-1B
Base Drive List	1915	1989	2075	2340	2690	3055	3830	4469	5638	6596	8298
HP Rating (110% Overload, Normal Duty)	2	3	5	7.5	10	10	20	25	30	40	50
HP Rating (150% Overload, Heavy Duty)	1	2	3	5	7.5	10	15	20	25	30	40
FLA (Heavy Duty)	1.7	2.7	3.9	6.1	9	11	17	22	27	32	41
Base Drive List	2106	2188	2282	2574	2959	3361	4213	4915	6202	7255	9128

**Enclosure Options**

NEMA 1 Cabinet Ventilated	1147	1147	1147	1147	1147	1147	1147	1678	1678	1678	1678
NEMA 12 Cabinet Ventilated	1193	1193	1193	1193	1193	1492	1492	1743	1743	1743	1743
NEMA 12 Cabinet with A/C	2457	2457	2457	2457	2457	3870	3870	4680	4680	4680	4680
NEMA 4 Cabinet with A/C	3690	3690	3690	3690	3690	3888	3888	4536	4536	4536	4536
NEMA 4X Cabinet with A/C	3978	3978	3978	3978	3978	4779	4779	6156	6156	6156	6156
NEMA 3R Rainproof	1519	1519	1519	1519	1519	1777	1777	1890	1890	1890	1890

**Input Protection & Disconnect Options**

Input Fuses Only	158	158	158	158	158	178	178	245	317	317	611
Fused Disconnect Switch & Rotary Handle	403	403	403	403	403	438	438	505	757	757	1208
Circuit Breaker Only	600	752	752	752	752	865	865	865	865	865	911
Circuit Breaker Disconnect & Rotary Handle	1018	1018	1018	1018	1018	1131	1131	1131	1131	1131	1177

**Door Mounted Operator Devices**

Door Mounted OIM (Remote Keypad)	75	75	75	75	75	75	75	75	75	75	75
Maintained Start/Stop Switch	105	105	105	105	105	105	105	105	105	105	105
Momentary Start/Stop Push Buttons	180	180	180	180	180	180	180	180	180	180	180
E-Stop Push Button (Mushroom Head)	120	120	120	120	120	120	120	120	120	120	120
Jog Push Button	90	90	90	90	90	90	90	90	90	90	90
2 or 3 Position Selection Switch	90	90	90	90	90	90	90	90	90	90	90
Pilot Light(1)	85	85	85	85	85	85	85	85	85	85	85
Manual Potentiometer	120	120	120	120	120	120	120	120	120	120	120

**Contactors, Overloads, Starters, Control Transformers & Line Reactors**

Input Contactor(1)	220	220	220	220	220	220	220	220	220	450	450
Output Contactor(1)	220	220	220	220	220	220	220	220	220	450	450
Drive Bypass Control(1)	1160	1160	1160	1160	1160	1160	1160	1160	1160	1850	1850
Motor Overload Relay	200	200	200	200	200	200	200	250	250	250	310
Blower Motor Starter(1,4)	120	120	120	120	180	180	180	180	180	180	180
Control Transformer: 460:120 VAC, 250VA (2)	275	275	275	275	275	275	275	275	275	275	275
3% Impedance Input Line or Load Reactor	273	273	424	362	478	499	522	823	823	875	704

**Other peripheral equipment**

Space Heater (100W)	120	120	120	120	120	120	120	120	120	120	120
Analog Input or output Isolator	980	980	980	980	980	980	980	980	980	980	980
Shunt Trip device	280	280	280	280	280	280	280	280	280	280	280
Undervoltage Release Device	355	355	355	355	355	355	355	355	355	355	355
RFI/EMI filter	590	590	590	590	590	590	810	810	810	980	980
DC Power Supply	210	210	210	210	210	210	210	210	210	210	210
MOV surge protection	100	100	100	100	100	100	100	100	100	100	100
Input IEEE 519-1992 Harmonic Filter	4420	4420	4420	4420	4420	4420	4580	7290	7290	10090	10300

**Dynamic Braking - Transistor + Resistor**

1200W resistors	849	849	849	849	849	849	849	849	849	849	849
2400W resistors	1299	1299	1299	1299	1299	1299	1299	1299	1299	1299	1299
4800W resistors	2107	2107	2107	2107	2107	2107	2107	2107	2107	2107	2107
4800W resistors	2107	2107	2107	2107	2107	2107	2107	2107	2107	2107	2107

(1) Requires Control Transformer option  
 (2) Add \$100 for each 100VA over 250VA  
 (3) Add \$100 for each 100W over the first 100W  
 (4) Required on TEBC motors

Farm Duty Motors

Definite Purpose Motors

Unit Handling Motors

Brake Motors

200 & 575 Volt Motors

IEC Frame Motors

50 Hertz Motors

Inverter/Vector Motors & Controls

DC Motors and Controls

Soft Starters & Dynamic Brakes

**VS1GV Packaged Drives**

**600 VAC Base Drive Model Number**

Vector	VS1GV 550-1B	VS1GV 560-1B	VS1GV 575-1B	VS1GV 5100-1B	VS1GV 5125-1B	VS1GV 5150-1T	VS1GV 5200-1T	VS1GV 5250-1T
Base Drive List	10766	11585	13574	15681	16617	19950	26600	33250
HP Rating (110% Overload, Normal Duty)	60	75	100	125	150	200	250	300
HP Rating (150% Overload, Heavy Duty)	50	60	75	100	125	150	200	250
FLA (Heavy Duty)	52	62	77	99	125	144	192	242

**Enclosure Options**

NEMA 1 Cabinet Ventilated	1755	1755	2083	2083	2083	2625	2625	2625
NEMA 12 Cabinet Ventilated	2164	2164	2480	2480	2480	3224	3224	3224
NEMA 12 Cabinet with A/C	4392	4392	4968	4968	4968	6560	6560	6560
NEMA 4 Cabinet with A/C	5508	5508	6318	6318	6318	8640	8640	8640
NEMA 4X Cabinet with A/C	7209	7209	7938	7938	7938	10080	10080	10080
NEMA 3R Rainproof	2902	2902	3881	3881	3881	5725	5725	5725

**Input Protection & Disconnect Options**

Input Fuses Only	317	317	550	550	550	550	900	900
Fused Disconnect Switch & Rotary Handle	1208	1208	1485	1485	1485	1485	1680	1680
Circuit Breaker Only	1100	1100	1100	1400	1400	1400	1800	1800
Circuit Breaker Disconnect & Rotary Handle	1310	1310	1310	1625	1625	1625	2000	2000

**Door Mounted Operator Devices**

Door Mounted OIM (Remote Keypad)	75	75	75	75	75	75	75	75
Maintained Start/Stop Switch	105	105	105	105	105	105	105	105
Momentary Start/Stop Push Buttons	180	180	180	180	180	180	180	180
E-Stop Push Button (Mushroom Head)	120	120	120	120	120	120	120	120
Jog Push Button	90	90	90	90	90	90	90	90
2 or 3 Position Selection Switch	90	90	90	90	90	90	90	90
Pilot Light(1)	85	85	85	85	85	85	85	85
Manual Potentiometer	120	120	120	120	120	120	120	120

**Contactors, Overloads, Starters, Control Transformers & Line Reactors**

Input Contactor(1)	450	450	800	800	1050	1050	1050	2500
Output Contactor(1)	450	450	800	800	1050	1050	1050	2500
Drive Bypass Control(1)	1400	1400	2100	2100	2600	2600	2600	5500
Motor Overload Relay	310	310	420	420	420	550	550	550
Blower Motor Starter(1,4)	180	220	220	220	220	220	220	220
Control Transformer: 460:120 VAC, 250VA (2)	275	275	275	275	275	275	275	275
3% Impedance Input Line or Load Reactor	980	869	869	1130	1510	1759	2059	2881

**Other peripheral equipment**

Space Heater (100W)	120	120	120	120	120	120	120	120
Analog Input or output Isolator	980	980	980	980	980	980	980	980
Shunt Trip device	280	280	280	280	280	280	280	280
Undervoltage Release Device	355	355	355	355	355	355	355	355
RFI/EMI filter	1170	1170	4590	4590	4590	8290	8290	13350
DC Power Supply	210	210	210	210	210	210	210	210
MOV surge protection	100	100	100	100	100	100	100	100
Input IEEE 519-1992 Harmonic Filter	7920	9910	9940	12190	15420	17460	19320	26080

**Dynamic Braking - Transistor + Resistor**

1200W resistors	849	849	849	849	849	849	849	849
2400W resistors	1299	1299	1299	1299	1299	1299	1299	1299
4800W resistors	2107	2107	2107	2107	2107	2107	2107	2107
4800W resistors	2107	2107	2107	2107	2107	2107	2107	2107

- (1) Requires Control Transformer option
- (2) Add \$100 for each 100VA over 250VA
- (3) Add \$100 for each 100W over the first 100W
- (4) Required on TEBC motors

Farm Duty  
Motors

Definite Purpose  
Motors

Unit Handling  
Motors

Brake  
Motors

200 & 575 Volt  
Motors

IEC Frame  
Motors

50 Hertz  
Motors

Inverter/Vector  
Motors & Controls

DC Motors  
and Controls

Soft Start & Dynamic  
Brakes



### VS1SP / VS1GV Keypad Extension Cable

For the convenience of our customers, we offer a connector plug/cable assembly. This assembly provides the connection from the keypad to the control for remote keypad operation.

Catalog Number	Cable Extension Length	List Price	Mult. Sym.	Apx. Shpg. Wgt.
CBLHH015KP	5 feet (1.5 meter)	44	EC	1
CBLHH030KP	10 feet (3.0 meter)	64	EC	1
CBLHH046KP	15 feet (4.6 meter)	83	EC	1
CBLHH061KP	20 feet (6.1 meter)	102	EC	2
CBLHH091KP	30 feet (9.1 meter)	120	EC	3
CBLHH152KP	50 feet (15.2 meter)	171	EC	3
CBLHH229KP	75 feet (22.9 meter)	247	EC	4
CBLHH305KP	100 feet (30.5 meter)	323	EC	5
CBLHH457KP	150 feet (45.7 meter)	452	EC	6
CBLHH610KP	200 feet (61.0 meter)	578	EC	7

### VS1SP / VS1GV Dynamic Braking Resistor Assemblies

Dynamic Braking Resistor Assemblies include braking resistors completely assembled and mounted into a NEMA 1 enclosure. Select the braking resistor that has correct ohm value for the control and adequate continuous watts capacity to meet load requirements.

Input Volts	Hp	Total Ohms	Continuous Rated Watts						
			600	1200	2400	4800	6400	9600	14200
230	1 - 7.5	20	RGA620	RGA1220	RGA2420				
	10 - 20	6		RGA1206	RGA2406	RGA4806			
	25 - 40	4		RGA1204	RGA2404	RGA4804			
	50 - 60	2				RGA4802	RGA6402	RGA9602	RGA14202
460	1 - 3	120	RGA6120	RGA12120	RGA24120				
	5 - 10	60	RGA660	RGA1260	RGA2460	RGA4860			
	15 - 25	20	RGA620	RGA1220	RGA2420	RGA4820			
	30 - 50	10		RGA1210	RGA2410	RGA4810			
	60 - 125	4		RGA1204	RGA2404	RGA4804	RGA6404	RGA9604	RGA14204
575	1 - 3	120	RGA6120	RGA12120	RGA24120				
	5 - 10	60	RGA660	RGA1260	RGA2460	RGA4820			
	15 - 25	30	RGA630	RGA1230	RGA2430	RGA4830			
	30	24		RGA1224	RGA2424	RGA4824			
	40 - 125	14				RGA4814	RGA6414		
		<b>List Price</b>	572	849	1,299	2,107	5,312	8,525	11,731
		<b>Mult. Sym.</b>	EC	EC	EC	EC	EC	EC	EC

Farm Duty Motors

Definite Purpose Motors

Unit Handling Motors

Brake Motors

200 & 575 Volt Motors

IEC Frame Motors

50 Hertz Motors

Inverter/Vector Motors & Controls

DC Motors and Controls

Soft Starters & Dynamic Brakes

**VS1SP / VS1GV Expansion Boards**

Baldor offers a wide variety of plug-in expansion boards for the VS1SP/VS1GV/VS1SD and H2 Series of drives. Expansion boards allow the drive to be interfaced with various inputs and outputs. Each control has the capability to utilize up to two expansion boards.

Catalog Number	Description	List Price	Mult. Sym.														
<b>EXBHH001A01</b>	Ethernet Server Expansion Board Provides easy connection to all drive parameters for setup and review using any PC based Web Browser via an Ethernet connection. Download parameter values, operating conditions, and fault log data for review and archive. Uses standard RJ-45 female terminal for Ethernet connection.	163	EC														
<b>EXBHH003A01</b>	Isolated Input Expansion Board Contains 9 isolated inputs jumper configurable for 90-130 VAC. All inputs must be the same voltage – one side of all inputs is common. This board replaces all the opto inputs on the main control board. Uses screw terminals for connection.	211	EC														
<b>EXBHH005A01</b>	High Resolution Analog Input/Output Board Provides two additional analog inputs and two additional analog outputs with up to 16 bits resolution. Acceptable DC inputs: ± 10V, 0-10V, or ± 5V with 300 microvolt resolution. Current inputs: 0-20 mA or 4-20 mA with 0.6 microamp resolution.  <table border="0" style="margin-left: auto; margin-right: auto;"> <tr> <td style="text-align: center;"><b>Input</b></td> <td style="text-align: center;"><b>Resolution</b></td> </tr> <tr> <td style="text-align: center;">± 10 V</td> <td style="text-align: center;">16 bit</td> </tr> <tr> <td style="text-align: center;">0 - 10 V</td> <td style="text-align: center;">15 bit</td> </tr> <tr> <td style="text-align: center;">± 5 V</td> <td style="text-align: center;">15 bit</td> </tr> <tr> <td style="text-align: center;">0 - 5 V</td> <td style="text-align: center;">14 bit</td> </tr> <tr> <td style="text-align: center;">0 - 20 mA</td> <td style="text-align: center;">15 bit</td> </tr> <tr> <td style="text-align: center;">4 - 20 mA</td> <td style="text-align: center;">15 bit</td> </tr> </table> All inputs can be inverted through software.	<b>Input</b>	<b>Resolution</b>	± 10 V	16 bit	0 - 10 V	15 bit	± 5 V	15 bit	0 - 5 V	14 bit	0 - 20 mA	15 bit	4 - 20 mA	15 bit	330	EC
<b>Input</b>	<b>Resolution</b>																
± 10 V	16 bit																
0 - 10 V	15 bit																
± 5 V	15 bit																
0 - 5 V	14 bit																
0 - 20 mA	15 bit																
4 - 20 mA	15 bit																
<b>EXBHH007A01</b>	Master Pulse Reference/Isolated Pulse Follower Board 1. Accepts a 5V or 12V quadrature pulse train input or pulse and direction input to use as a master reference. 2. Re-transmits the input pulse train at 5Vdc for different ratios from 1:20 up to 65535:1 (Scaled output). 3. Can be used as a auxiliary encoder input to the control. 4. A CANOpen port utilizing a RJ-45 female connector for adding an additional I/O breakout box or CAN HMI terminal.	539	EC														
<b>EXBHH013A02</b>	DeviceNet / EtherNet / IP / Modbus - TCP Expansion Board Allows VS1GV, VS1SP, VS1SD and H2 Drives to be connected to a DeviceNet Communications Network or an EtherNet/IP Communications Network or a Modbus - TCP Communications Network. Uses plug-in terminals for connection to a DeviceNet Communications Network or an RJ-45 to connect to an EtherNet/IP or a Modbus - TCP Communications Network.	558	EC														
<b>EXBHH014A01</b>	PROFIBUS-DP Expansion Board Allows VS1GV, VS1SP and H2 Drives to be connected to a PROFIBUS Communications Network. Uses plug-in terminals for connection.	670	EC														
<b>EXBHH015A01</b>	BACnet Expansion Board Allows VS1GV, VS1SP and H2 Drives to be connected to a BACnet Communications Network. Uses 9-pin D-shell for connection.	575	EC														
<b>EXBHH016A01</b>	LonWorks Communications Expansion Board Allows VS1GV, VS1SP and H2 Drives to be connected to a LonWorks Communications Bus. Uses plug-in terminals for connection.	548	EC														
<b>EXBHH017A01</b>	Metasys N2 Communications Expansion Board allows VS1GV, VS1SP and H2 drives to be connected to a NA communications network. Uses plug-in terminals for connection.	575	EC														
<b>EXBHH019A01</b>	EtherNet/IP / Modbus - TCP / BACnet - IP Expansion Board Allows VS1GV, VS1SP, VS1SD and H2 Drives to be connected to an EtherNet/IP, MODbus - TCP or BACnet - IP Communications Network. Uses an RJ-45 for connection.	558	EC														

Farm Duty Motors

Definite Purpose Motors

Unit Handling Motors

Brake Motors

200 & 575 Volt Motors

IEC Frame Motors





50 Hertz Motors

Inverter/Vector Motors & Controls

DC Motors and Controls

Soft Start & Dynamic Brakes

### AC Drives Selection Chart

Series 5	15H	18H	22H Regenerative
			
<b>Main Attributes</b>			
Analog Microdrive; V/Hz ; Open Chassis or NEMA 4X enclosures, compact and low cost	Basic V/Hz Control, 300-800 Hp NEMA 1 enclosure	Closed loop vector, 300-800 Hp NEMA 1 enclosure, zero speed torque, auto motor tuning, digital speed and torque control	22H is a version of the 18H with a Regenerative front end
<b>Hp Range</b>			
1/2 to 5	300 to 800	300 to 800	10 to 50
<b>Voltage Range</b>			
115V/230V 1-Phase 230V/460V 3-Phase	460V 3-Phase	460V 3-Phase	230V/460V 3-Phase
<b>Enclosure Selection</b>			
Chassis or NEMA 4X/12	NEMA 1 (300-800 Hp)	NEMA 1 (300-800 Hp)	IP20
<b>Control Mode</b>			
V/Hz	V/Hz	Closed Loop Vector Only	Closed Loop Vector
<b>Speed Range (Typ.)</b>			
20:1	20:1	1000:1	1000:1 Closed Loop Vector
<b>Communications Options</b>			
None	Option Cards for RS232/RS485, DeviceNet, Profibus and Modbus	Option Cards for RS232/RS485, DeviceNet, Profibus and Modbus	Option Cards for RS232/RS485, DeviceNet, Profibus and Modbus
<b>Operator Interface</b>			
Analog Controls	Local or Remote (NEMA 4) Mounted 32 character alpha-numeric LCD display	Local or Remote (NEMA 4) Mounted 32 character alpha-numeric LCD display	Local or Remote (NEMA 4) Mounted 32 character alpha-numeric LCD display
<b>Differentiating Feature</b>			
Easy-to-Use Basic Startup Menu; Runs Right Out of the Box; Optional I/O Expansion Cards	Easy-to-Use Basic Startup Menu, Runs Right Out of the Box; Optional I/O Expansion Cards	Easy-to-Use Basic Startup Menu; Runs Right Out of the Box; Optional I/O Expansion and Speed Feedback Cards	Regenerative Applications
<b>Matched Performance® Motors</b>			
M & CP Standard-E®, EM & ECP Super-E®	NEMA 1 CSM and JMSM NEMA 4X CWDSM	VS-Master, RPM-AC, ZDM VectorDuty®, ZDNM VectorDuty, ZDWNM VectorDuty	VS-Master, RPM-AC, ZDM VectorDuty, ZDNM VectorDuty, ZDWNM VectorDuty

Farm Duty  
Motors

Definite Purpose  
Motors

Unit Handling  
Motors

Brake Motors

200 & 575 Volt  
Motors

IEC Frame  
Motors

50 Hertz  
Motors

Inverter/Vector  
Motors & Controls

DC Motors  
and Controls

Soft Starters &  
Dynamic Brakes

### Series 5 Micro Inverters

**1/2 thru 2 Hp**  
**1/2 thru 2 Hp**  
**2 thru 3 Hp**  
**1 thru 5 Hp**

**97-132 VAC**  
**195-265 VAC**  
**195-265 VAC**  
**323-529 VAC**

**1 Phase - 50/60 Hz**  
**1 Phase - 50/60 Hz**  
**3 Phase - 50/60 Hz**  
**3 Phase - 50/60 Hz**



**Applications:** Variable torque, constant torque or constant horsepower applications. New installations, replacements and original equipment manufacturers (OEM).

**Features:** NEMA 4X or open chassis mount standard. Output frequency 0.25 to 120 Hz with peak overload capacity of 150%. Separate accel/decel rates and controlled reversing.

#### Design Specifications

- PWM output
- Accel/decel rate adjustment
- Controlled reversing
- Adjustable current limit
- I<sup>2</sup>t motor overload protection
- Adjustable slip compensation
- Min/max output frequency adjustment
- Selectable auto/manual restart

#### Operator Interface- Enclosed Units

- Start/Stop command
- NEMA 4X enclosure
- Power on/off
- Rotary speed control
- Fwd/Rev optional
- Auto/Manual optional

#### Environmental and Operating Conditions

- Input voltage:
  - 1 phase 115 VAC ±15%,
  - 1 phase 230 VAC ±15%
  - 3 phase 230V ±15%
  - 3 phase 460 ± 15%
- Input frequency: 50 or 60Hz ±10%
- Service factor - 1.0
- Duty - continuous
- Humidity - 90% max RH non-condensing
- Altitude - 3300 feet max without derate
- Chassis mount or NEMA 4X enclosure as standard

#### Protective Features

- Selectable automatic restart at momentary power loss
- Power indicator
- Status indicator
- Adjustable time base overload
- Electronic in rush current limiting

<b>Output Ratings</b>	Overload Capacity	150% for 120 seconds		
	Voltage - 3 Phase	0-230 VAC (RMS), 0-460 V AC (RMS)		
<b>Control Spec</b>	Control Method	Sinewave carrier input, PWM output		
	PWM Frequency	Rated 8.0 kHz		
	V/Hz Ratio	Factory set for optimum output		
	Torque Boost	Factory set for 60 Hz motors. Adjustable 6-30% for 50 Hz motors	Adjustable 0-30% max	
	Current Limit	Adjustable 63 to 188% of rated output	0-200%	
	Frequency Setting	0-5 VDC, 0-10 VDC with external resistor network, non-isolated input		
	Accel/Decel	Separate accel/decel rates, 0.3-20 sec for 60 Hz motors	0.3-20 Sec	
	Combined accel/decel for 50 Hz motors			
<b>Protective Functions</b>	Inverter Trip	Over voltage, over current, under voltage, motor overload, output short circuit		
	Status Indicators	Tricolor LED indicator for status and green LED indicator for power on		
	Short Circuit	Output phase to phase		
<b>Ambient Conditions</b>	Temperature	0-45°C	0-50°C	
	Cooling	Convection 1/2 - 2 Hp; Forced Air 3-5 Hp	Convection	
	Enclosure	Open chassis	NEMA 4X (IP65)	

### Series 5 Micro Inverters continued...

Hp/kW	Input Voltage	Output Current		Catalog Number	List Price	Mult. Sym.	Ap'x. Shpg. Wgt.	Dimensions in/(mm)				
		Cont.	120 Sec.					Outside			Mounting	
								H	W	D	H	W
<b>Open Chassis Mount – Single Phase Input</b>												
0.5/0.37	115/230	2.4	3.6	<b>ID56F50-CO</b>	383	E9	4	4.3	3.9	2.75	3.8	2.5
1/0.75	115/230	4	6	<b>ID5601-CO</b>	464	E9	5	4.3	3.9	5	3.87	3.7
2/1.5	115/230	5.5	8.25	<b>ID5602-CO</b>	603	E9	6	4.67	5.58	5.7	3.87	2.5
<b>Open Chassis Mount – Three Phase Input</b>												
2/1.5	230	6.7	10.1	<b>ID5202-CO</b>	731	E9	5	8.55	4.68	4.5	6.5	3.9
3/2.25	230	8.8	13.2	<b>ID5203-CO</b>	770	E9	5	8.55	4.68	4.5	6.5	3.9
1/0.75	460	2.5	3.75	<b>ID5401-CO</b>	796	E9	5	8.55	4.68	4.5	6.5	3.9
2/1.5	460	4	6	<b>ID5402-CO</b>	817	E9	5	8.55	4.68	4.5	6.5	3.9
3/2.25	460	4.5	6.75	<b>ID5403-CO</b>	840	E9	5	8.55	4.68	4.5	6.5	3.9
5/3.7	460	7.6	11.4	<b>ID5405-CO</b>	1,072	E9	5	8.55	4.68	4.5	6.5	3.9
<b>NEMA 1 Enclosed - Single Phase Input</b>												
1/0.75	115/230	4	6	<b>ID5601-EO</b>	559	E9	6	7.13	6.25	2.75		
<b>NEMA 4X Enclosed – Single Phase Input</b>												
1/0.75	115/230	3.6	5.4	<b>ID5601-WO</b>	740	E9	6	9.53	5.51	5.86	8.85	-
1/0.75	115/230	3.6	5.4	<b>ID5601-BO</b>	694	E9	6	9.53	5.51	5.86	8.85	-
2/1.5	115/230	5.5/6.7	8.3/10.0	<b>ID5602-WO</b>	1,044	E9	6	9.8	7.55	7.25	9.25	1
2/1.5	115/230	5.5/6.7	8.3/10.0	<b>ID5602-BO</b>	985	E9	8	9.8	7.55	7.25	9.25	1
<b>NEMA 4X Enclosed – Three Phase Input</b>												
3/2.25	230	9	13.5	<b>ID5203-WO</b>	1,183	E9	6	9.8	7.55	7.25	9.25	1
3/2.25	230	9	13.5	<b>ID5203-BO</b>	1,125	E9	6	9.8	7.55	7.25	9.25	1
3/2.25 (1)	460	4.6	6.9	<b>ID5403-WO</b>	1,253	E9	6	9.8	7.55	7.25	9.25	1
3/2.25 (1)	460	4.6	6.9	<b>ID5403-BO</b>	1,194	E9	6	9.8	7.55	7.25	9.25	1
5/3.7	460	8.3	12.45	<b>ID5405-WO</b>	1,333	E9	6	9.8	7.55	7.25	9.25	1
5/3.7	460	8.3	12.45	<b>ID5405-BO</b>	1,276	E9	6	9.8	7.55	7.25	9.25	1

(1) Jumper configurable for 1 HP and 2 HP

**NOTE:** -WO is white in color -BO is black in color; -EO is NEMA 1.

### Series 5 Options

Catalog Number	Description	List Price	Mult. Sym.	Ap'x. Shpg. Wgt.
<b>ID5RGA-1</b>	Dynamic braking kit for open chassis 115/230V 1/2 Hp and 1 Hp rated controls	236	E9	3
<b>ID5SI-1</b>	Signal isolator for open chassis units Provides isolation for up to 24 VDC and 4-20mA command signals and run relay output. Select relay as N.O. or N.C. contacts rated at 125 VAC @ 0.5A	206	E9	4
<b>ID5SI-2</b>	Signal isolator for NEMA 4X enclosed units Provides isolation for up to 24 VDC and 4-20mA command signals.	233	E9	1
<b>ID5AMS-1</b>	Auto/Manual selection switch for NEMA 4X enclosed units Allows selection of remote or on-board speed commands	57	E9	1
<b>ID5FRS-1</b>	Forward/Stop/Reverse selection switch for NEMA 4X enclosed units Allows selection of forward or reverse motor direction commands	32	E9	1
<b>ID5FRS-2</b>	Forward/Stop/Reverse selection switch for NEMA 1 enclosed units. Allows selection of forward or reverse motor direction commands.	32	E9	1

Farm Duty Motors

Definite Purpose Motors

Unit Handling Motors

Brake Motors

200 & 575 Volt Motors

IEC Frame Motors

50 Hertz Motors

Inverter/Vector Motors & Controls

DC Motors and Controls

Soft Starters & Dynamic Brakes

### Series 15H Inverter

**300 thru 450 Hp**

**460 VAC**

**3 Phase - 50/60 Hz**



**Applications:** Constant torque, variable torque or constant horsepower applications. New installations, replacements and original equipment manufacturers (OEM).

**Features:** NEMA 1 enclosure as standard. Output frequency 0.25 to 400 Hz with peak overload capacity of 170-200%. Separate accel/decel rates and controlled reversing. Built in two and three input PID process control loop.

#### Design Specifications

- Process follower 0-5 VDC, 0-10 VDC, 4-20 mA
- Free run or ramp stop
- Selectable preset speeds
- Jog speed
- Dynamic braking (optional on size C2 and larger)
- DC injection braking
- 2 analog meter outputs
- 2 opto isolated outputs
- 2 relay outputs
- Through wall & panel mount size C2, E and F.

#### Operator Keypad

- Forward/Reverse command
- Motor RUN and JOG
- Local/Remote key
- Stop command
- Parameter setting and display
- 32 character display
- Remote mount to 100 feet (60m) from control
- NEMA 4X enclosure when mounted on panel

#### Environmental and Operating Conditions

- Input voltage
  - 3 phase 200-240 VAC ±10%
  - 3 phase 378-480 VAC ±10%
  - 3 phase 573-600 VAC ±10%
- Input frequency - 50 or 60Hz ±5%
- Service factor - 1.0
- Duty - continuous
- Humidity - 90% max RH non-condensing
- Altitude - 3300 feet (1000m) max without derate

#### Protective Features

- Selectable automatic restart at momentary power loss
- DC bus charge indicator
- Fault indicator
- Adjustable time based overload
- Cause of last 31 trips retained in memory
- Digital display for fault conditions
- Linear heat sink thermal sensor
- Isolated control circuitry

<b>Output Ratings</b>	Overload Capacity	150% for 60 seconds; 170-200% for 3 seconds for constant torque 115% for 60 seconds for variable torque
	Frequency	0.25-400 Hz
	Voltage	0-Maximum input voltage (RMS)
<b>Input Ratings</b>	Frequency	50 or 60 Hz ± 5%
	Voltage	180 - 264 VAC; 340 - 528 VAC, 515 - 660 VAC
	Phase	Three phase (or single phase with derate)
	Impedance	1% minimum for size C2, F, G and G2 (3% minimum required for size A, B, D and E)
<b>Control Spec</b>	Control Method	Sinewave carrier input, PWM output
	PWM Frequency	Adjustable 1-5 kHz standard, 1-15 kHz quiet
	V/Hz Ratio	Linear to squared reduced, base frequency, output voltage, minimum frequency limit, maximum frequency limit
	Torque Boost	0-15% of input voltage; automatic with manual override
	Brake Torque	20% standard on -E and -W; and -EO requires external assembly
	Skip Frequency	Three zones 0-Max frequency
	Frequency Setting	0-5 VDC, 0-10 VDC, 4-20mA, digital via optional RS232/485
<b>Protective Functions</b>	Accel/Decel	Separate accel/decel rates, 0-3600 sec to maximum frequency
	Inverter Trip	Over voltage, over current, under voltage, external trip, heatsink thermal, motor overload
	Stall Prevention	Over voltage suppression, overcurrent suppression
	External Output	OPTO isolated outputs, relay outputs, and LED indicator for trip
<b>LCD Display</b>	Short Circuit	Phase to phase, phase to ground
	Running	Output frequency, set frequency, output current(%), voltage, RPM, custom units
	Setting	Parameter values for setup and review
<b>Ambient Conditions</b>	Trip	Separate message for each trip, cause of last 31 trips retained in memory
	Temperature	-10 to + 40°C For UL Listing
	Cooling	Forced air included when required

**OPTIONS:** See pages 301-302 for optional Expansion Boards including RS-232, RS-485 isolated input etc. See page 299 for optional Dynamic Braking Assemblies.



**Series 15H Inverter Drive Output Ratings**

Catalog Number	Size	Heavy Duty			Normal Duty			List Price	Mult. Sym.
		Hp	Continuous Amps	Peak Amps	Hp	Continuous Amps	Peak Amps		
<b>460 Volts - Three Phase</b>									
ID15H4300-EO	G2	300	370	630	350	420	490	57,720	E1
ID15H4350-EO	G2	350	420	720	400	480	560	67,835	E1
ID15H4400-EO	G2	400	480	820	450	540	620	75,461	E1
ID15H4450-EO	G	450	540	855	500	590	680	88,091	E1

**OPTIONS:** See pages 301-302 for optional Expansion Boards. See page 299 for optional Dynamic Braking Assemblies. See notes on inside back flap.

**Dimensions in/(mm)**

Size	Outside			Mounting		Ap'x Shpg. Wgt.
	Height	Width	Depth	Height	Width	
G	93/(2362)	31.5/(800)	23.6/(600)	Floor Mount		700
G2	65.98/(1676)	31.6/(803)	23.49/(597)	Floor Mount		600

Farm Duty Motors

Definite Purpose Motors

Unit Handling Motors

Brake Motors

200 & 575 Volt Motors

IEC Frame Motors

50 Hertz Motors

Inverter/Vector Motors & Controls

DC Motors and Controls

Soft Starters & Dynamic Brakes

**Series 18H Vector Drive**

**300 thru 450 Hp**

**460 VAC**

**3 Phase - 50/60 Hz**



**Applications:** Constant torque or constant horsepower applications. New installations, replacements and original equipment manufacturers. (OEM).

**Features:** NEMA 1 enclosure as standard. Output frequency 0-500Hz with peak overload capability of 170-200%. Automatic tuning to motor and full rated torque down to zero speed. Digital speed or torque control. Built in two and three input PID process control loop.

**Design Specifications**

- Motor shaft orient to marker
- Process follow ±5VDC 0-5 VDC, ±10VDC 0-10 VDC ,4-20mA, digital via keypad or optional RS232/485
- Linear or S-curve deceleration
- 15 preset speeds
- 2 assignable analog outputs
- 2 assignable opto outputs
- 2 assignable relay outputs
- 2 assignable analog inputs
- Through wall and panel mount size C2, E and F

**Operator Keypad**

- Forward/Reverse command
- Motor RUN and JOG
- Local/Remote key
- Stop command
- 32 character display
- Remote mount to 100 feet (60m) from control
- NEMA 4X enclosure when mounted on panel

**Environmental and Operating Conditions**

- Input voltage
  - 3 phase 200-240 VAC ±10%
  - 3 phase 378-480 VAC ±10%
  - 3 phase 573-600 VAC ±10%
- Input frequency
  - 50 or 60Hz ±5%
- Service factor - 1.0
- Duty - continuous
- Humidity - 90% max RH non-condensing
- Altitude - 3300 feet (1000m) max without derate

**Protective Features**

- Adjustable current limit
- Isolated control circuitry
- Digital display for fault conditions
- Selectable automatic restart at momentary power loss
- DC bus charge indicator
- Cause of last 31 trips retained in memory

<b>Output Ratings</b>	Overload Capacity	150% for 60 seconds, 170-200% for 3 seconds for constant torque 115% for 60 seconds for variable torque
	Frequency	0-500 Hz
	Voltage	0-maximum input voltage (RMS)
<b>Input Ratings</b>	Frequency	50 or 60 Hz ±5%
	Voltage	180 - 264 VAC; 340 - 528 VAC; 515 - 660 VAC
	Phase	Three phase (or single phase with derate)
	Impedance	1% minimum for size C2, F, G, and G2 (3% minimum required for Size A, B, D and E)
<b>Control Spec</b>	Control Method	Microprocessor controlled PWM output
	PWM Frequency	Adjustable 1-5kHz STD, 1-16 kHz quiet
	Speed Setting	±5 VDC, 0-5 VDC ±10 VDC, 0-10 VDC, 4-20 mA; digital via keypad, RS232/485
	Accel/Decel	0-3600 sec.
	Motor Matching	Automatic tuning to motor with manual override
<b>Motor Feedback</b>	Feedback Type	Incremental encoder coupled to motor shaft
	Pulses/Rev	60 -15,000 selectable, 1024 standard
	Voltage Output	2 channel in quadrature, 5 VDC, differential
	Marker Pulse	Required for position orientation
	Power Input	5 VDC, 300 mA maximum
	Max. Frequency	1 MHz
	Positioning	Buffered encoder pulse train output for position loop controller
<b>Protective Functions</b>	Vector Trip	Missing control power, over current, over voltage, under voltage, motor over speed Over temperature (motor or control), output shorted or grounded, motor overload
	External Output	LED indicator for trip conditions, 4 assignable logic outputs, 2 assignable analog outputs 0-5 VDC
	Short Circuit	Phase to phase, phase to ground
<b>LCD Display</b>	Running	Output frequency, motor RPM; output current, voltage (selectable)
	Setting	Parameter values for setup and review
	Trip	Separate message for each trip, last 31 trips retained in memory
<b>Ambient Conditions</b>	Temperature	-10 to 40°C for UL listing
	Cooling	Forced air included when required

**OPTIONS:** See pages 301-302 for optional Expansion Boards including RS-232, RS-485. See page 299 for enclosure Dimensions. See page 300 for optional Dynamic Braking Assemblies.

**Series 18H Vector Drive Output Ratings**

Catalog Number	Size	Heavy Duty			Normal Duty			List Price	Mult. Sym.
		Hp	Continuous Amps	Peak Amps	Hp	Continuous Amps	Peak Amps		
<b>460 Volts - Three Phase</b>									
ZD18H4300-E0	G2	300	370	630	350	420	490	64,891	E1
ZD18H4350-E0	G2	350	420	720	400	480	560	75,461	E1
ZD18H4400-E0	G2	400	480	820	450	540	620	83,488	E1
ZD18H4450-E0	G	450	540	855	500	590	680	98,472	E1

**NOTE:** -MO suffix indicates a protected chassis enclosure (not NEMA 1). See notes on inside back flap.  
**OPTIONS:** See pages 301-302 for optional Expansion Boards. See page 300 for optional Dynamic Braking Assemblies.

**Dimensions in/(mm)**

Size	Outside			Mounting		Ap'x Shpg.Wgt.
	Height	Width	Depth	Height	Width	
G	93/(2362)	31.5/(800)	23.6/(600)	Floor Mount		700
G2	65.98/(1676)	31.6/(803)	23.49/(597)	Floor Mount		600

Farm Duty Motors

Definite Purpose Motors

Unit Handling Motors

Brake Motors

200 & 575 Volt Motors

IEC Frame Motors

50 Hertz Motors

Inverter/Vector Motors & Controls

DC Motors and Controls

Soft Starters & Dynamic Brakes

### Series 22H Line Regenerative Vector Drive

**10 thru 50 Hp  
10 thru 50 Hp**

**230 VAC  
460 VAC**

**3 Phase - 50/60 Hz  
3 Phase - 50/60 Hz**



**Applications:** Variable torque, constant torque or constant horsepower applications. New installations, replacements and original equipment manufacturers. (OEM).

**Features:** NEMA 1 enclosure as standard. Output frequency 0-500Hz with peak overload capability of 170-200%. Automatic tuning to motor and full rated torque down to zero speed. Digital speed or torque control. Built in two and three input PID process control loop.

#### Design Specifications

- Process follower  
±5VDC 0-5 VDC,  
±10VDC, 0-10 VDC ,  
4-20mA, digital via keypad  
or optional RS232/485
- Linear or S-curve deceleration
- Controlled reversing
- 15 preset speeds
- 2 assignable analog outputs
- 2 assignable logic outputs
- 2 assignable relay outputs
- 2 assignable analog inputs
- Motor shaft orient to marker

#### Operator Keypad

- Forward/Reverse command
- Motor RUN and JOG
- Local/Remote key
- Stop command
- 32 character display
- Remote mount to 100 feet (60m)  
from control
- NEMA 4X enclosure when  
mounted on panel

#### Environmental and Operating Conditions

- Input voltage  
Three phase 200-240 VAC ±10%  
Three phase 378-480 VAC ±10%
- Input frequency  
50 or 60Hz ±5%
- Service factor - 1.0
- Duty - continuous
- Humidity - 90% max RH non-condensing
- Altitude - 3300 feet (1000m)  
max without derate

#### Protective Features

- Adjustable current limit
- Isolated control circuitry
- Digital display for fault conditions
- Selectable automatic restart at  
momentary power loss
- DC bus charge indicator
- Cause of last 31 trips retained  
in memory

<b>Output Ratings</b>	Overload Capacity	150% for 60 seconds, 170-200% for 3 seconds for constant torque 115% for 60 seconds for variable torque
	Frequency	0-500 Hz
	Voltage	0-Maximum input voltage (RMS)
<b>Input Ratings</b>	Frequency	50 or 60 Hz ±5%
	Voltage	180 - 264 VAC; 340 - 528 VAC
	Phase	Three phase
	Impedance	3.0% minimum required
<b>Control Spec</b>	Control Method	Microprocessor controlled PWM output
	PWM Frequency	Adjustable 1-5kHz STD, 1-16 kHz quiet
	Speed Setting	±5 VDC, 0-5 VDC ±10 VDC, 0-10 VDC, 4-20 mA; digital via keypad, RS232/485
	Accel/Decel	0-3600 sec
	Motor Matching	Automatic tuning to motor with manual override
<b>Motor Feedback</b>	Feedback Type	Incremental encoder coupled to motor shaft
	Pulses/Rev	60-15,000 selectable, 1024 standard
	Voltage Output	2 channel in quadrature, 5 VDC, differential
	Marker Pulse	Required for position orientation
	Power Input	5 VDC, 300 mA maximum
	Max. Frequency	1 MHz
	Positioning	Optional buffered encoder pulse train output for position loop controller
<b>Protective Functions</b>	Vector Trip	Missing control power, over current, over voltage, under voltage, motor over speed Over temperature (motor or control), output shorted or grounded, motor overload
	External Output	LED indicator for trip conditions, 4 assignable logic outputs, 2 assignable analog outputs 0-5 VDC
	Short Circuit	Phase to phase, phase to ground
<b>LCD Display</b>	Running	Output frequency, motor RPM; output current, voltage (selectable)
	Setting	Parameter values for setup and review
	Trip	Separate message for each trip, last 31 trips retained in memory
<b>Ambient Conditions</b>	Temperature	-10 to +40°C for UL listing
	Cooling	Forced air included when required

**OPTIONS:** See pages 301-302 for optional Expansion Boards including RS-232, RS-485.

**Series 22H Line Regenerative Vector Drive Output Ratings**

Catalog Number	Size	Heavy Duty			Normal Duty			List Price	Mult. Sym.
		Hp	Continuous	Peak	Hp	Continuous	Peak		
<b>230 Volts - Three Phase</b>									
ZD22H210-EL	C+	10	28	56	10	28	32	10,488	E1
ZD22H215-EL	C+	15	42	72	15	42	48	11,655	E1
ZD22H220-EL	C+	20	55	110	20	55	62	13,645	E1
ZD22H225-EL	C+	25	68	116	25	68	78	15,939	E1
ZD22H230-EL	D+	30	80	136	30	80	92	17,333	E1
ZD22H240-EL	D+	40	105	200	40	105	120	21,583	E1
ZD22H250-EL	D+	50	130	225	50	130	150	26,493	E1
<b>460 Volts - Three Phase</b>									
ZD22H410-EL	C+	10	15	30	10	15	17	10,920	E1
ZD22H415-EL	C+	15	21	36	15	21	24	11,877	E1
ZD22H420-EL	C+	20	27	50	20	27	31	13,831	E1
ZD22H425-EL	C+	25	34	58	25	34	39	15,585	E1
ZD22H430-EL	D+	30	40	70	30	40	46	17,593	E1
ZD22H440-EL	D+	40	55	100	40	55	63	21,701	E1
ZD22H450-EL	D+	50	65	115	50	65	75	26,186	E1

**NOTE:** See notes on inside back flap.  
**OPTIONS:** See pages 301-302 for optional Expansion Boards.

**Series 15H, 18H, and 22H Keypad Extension Cable**

For the convenience of our customers, we offer a connector plug/cable assembly. This assembly provides the connectors from the keypad to the control for remote keypad operation.

Catalog Number	Cable Extension Length	List Price	Mult. Sym.	Approx. Shpg. Wgt.
CBLH015KP	5 feet (1.5 meter)	84	E8	1
CBLH030KP	10 feet (3.0 meter)	119	E8	1
CBLH046KP	15 feet (4.6 meter)	152	E8	1
CBLH061KP	20 feet (6.1 meter)	254	E8	2
CBLH091KP	30 feet (9.1 meter)	389	E8	3
CBLH152KP	50 feet (15.2 meter)	509	E8	3
CBLH229KP	75 feet (22.9 meter)	559	E8	4
CBLH305KP	100 feet (30.5 meter)	693	E8	5

**Dimensions in/(mm)**

Size	Outside			Mounting		Ap'x Shpg. Wgt.
	Height	Width	Depth	Height	Width	
C+	30/(762)	11.5/(292)	12.2/(310)	29.25/(743)	10.5/(267)	160
D+	36/(914)	14.5/(368)	12.2/(310)	35.25/(895)	13.50/(343)	280

Farm Duty Motors

Definite Purpose Motors

Unit Handling Motors

Brake Motors

200 & 575 Volt Motors

IEC Frame Motors

50 Hertz Motors

Inverter/Vector Motors & Controls

DC Motors and Controls

Soft Starters & Dynamic Brakes

## Series 15H and 18H Dynamic Braking Transistor Assemblies

Dynamic Braking Transistor Assemblies include braking transistor completely assembled and mounted into a NEMA 1 enclosure, to be used with External Dynamic Braking Resistor Assemblies (RGA). Select RGA assembly with matching minimum OHMS and continuous regenerative power (Watts) capacity to meet load requirements. For use with -EO and -MO Controls.

Hp	Maximum Braking Torque In % Of Motor Rating			
	380-480 Vac		550-600 Vac	
300	62%	125%	29%	100%
350	54%	108%	-	87%
400	47%	94%	-	76%
450	41%	84%	-	68%
<b>Cat. No.</b>	<b>RTA4-4</b>	<b>RTA4-2</b>	<b>RTA5-14</b>	<b>RTA5-4</b>
<b>List Price</b>	2,816	3,973	2,354	3,098
<b>Mult. Sym.</b>	E8	E8	E8	E8

## Series 15H and 18H Dynamic Braking Resistor Assemblies

Dynamic Braking Resistor Assemblies include braking resistors completely assembled and mounted into a NEMA 1 enclosure. For 20 Hp and above (-EO, -MO Controls), select the braking resistor from the table with the matching ohms for the RTA selected and adequate continuous watts capacity to meet load requirements. For 1 to 15 Hp (-E, -ER Controls) select the braking resistor that has correct ohm value for the control and adequate continuous watts capacity to meet load requirements.

Input Voltage	Hp	Total Ohms	Continuous Rated Watts			
			4800	6400	9600	14200
460	300-450	2	<b>RGA4802</b>	<b>RGA6402</b>	<b>RGA9602</b>	<b>RGA14202</b>
		<b>List Price</b>	2,107	5,312	8,525	11,731
		<b>Mult. Sym.</b>	EC	EC	EC	EC

Farm Duty Motors

Definite Purpose Motors

Unit Handling Motors

Brake Motors

200 & 575 Volt Motors

IEC Frame Motors

50 Hertz Motors

Inverter/Vector Motors & Controls

DC Motors and Controls

Soft Start & Dynamic Brakes



**Series 15H, 18H, 19H, 20H and 22H  
Expansion and Accessory Boards**

Baldor offers a wide variety of plug-in expansion boards for Series 15H Inverters, Series 18H or 22H Vector Drives and Series 19H or 20H DC Controls. Expansion boards allow the drive to be interfaced with various inputs and outputs. Each control has the capability to utilize up to two expansion boards. The following list shows boards available. The matrix shows which boards may be used together in the same control.

Board Number	Description	List Price	Mult. Sym.
<b>ACB003A01</b>	Isolated Input/2 Relay Output Accessory Board Contains 9 Isolated inputs for 90-130VAC. All inputs must be the same voltage. Also has 2 relay outputs, Form "C": N.O. and N. C. Accessory Board mounts in Expansion Board slot but uses wiring harness to connect to motor control card. Requires control board with onboard 24VDC power supply.	373	E8
<b>EXB003A04</b>	Isolated Input Board Contains 9 isolated inputs jumper configurable for 10-30 VAC or 10-30 VDC. All must be the same voltage - one side of all inputs is common. This board replaces the opto inputs on the main control board. Uses screw terminals for connection. (Use with Series 15H, 18H and 22H only)	295	E8
<b>EXB003A05</b>	Isolated Input Board Contains 9 isolated inputs jumper configurable for 90-130 VAC. All must be the same voltage - one side of all inputs is common. This board replaces the opto inputs on the main control board. Uses screw terminals for connection. (Use with Series 15H, 18H and 22H only).	295	E8
<b>EXB004A01</b>	Four Output Relays / 3-15 PSI Pneumatic Interface Converts 3-15 PSI air pressure to 0-10 VDC or 10-0 VDC (inverted). Also has four relays, 2 of which are jumper selectable as N.O. or N.C., rated for 230VAC, 5 amps max and two form "C". Uses screw terminals for connections. Air hose connects to 1/8" O.D. nipple on board.	542	E8
<b>EXB005A01</b>	Master Pulse Reference / Isolated Pulse Follower—Bi-directional jumper selectable for: 1. Master quadrature pulse reference. Provides 5 volt quadrature A and B channel outputs with complements at a pulse rate proportional to accel-decel limited speed commands. Phase of B channel is reversed for reverse direction. 2. Master speed step-direction pulse reference. Provides 5 volt pulse and direction outputs with complements at a pulse rate proportional to accel-decel limited speed command. 3. Quadrature pulse follower. Provides opto isolated inputs for 5-15 volt quadrature A and B channel input speed commands and retransmits this input as 5 volt channel A and B outputs with complements at a pulse rate proportional to accel-decel limited speed command. Motor direction reverses with input channel phase reversal. 4. Speed step and direction pulse follower. Provides opto isolated inputs for 5-15 volt input pulse and direction. Commands and retransmits these inputs as 5 volt pulse and direction outputs with complements at a pulse rate proportional to accel-decel limited speed command.	461	E8
<b>EXB006A01</b>	DC Tachometer Interface Allows for DC tach input voltage for motor or process feedback Jumper selectable for input voltage with software trim for 10% tolerance. 250 VDC total maximum input voltage or can be used for one analog input with 16 bits resolution for ±10V and 15 bits resolution for 0-10 VDC input. Uses screw terminals for connection.	567	E8

Farm Duty Motors

Definite Purpose Motors

Unit Handling Motors

Brake Motors

200 & 575 Volt Motors

IEC Frame Motors

50 Hertz Motors

Inverter/Vector Motors & Controls

DC Motors and Controls

Soft Starters & Dynamic Brakes

**Series 15H, 18H, 19H, 20H and 22H  
Expansion and Accessory Boards continued...**

Board No.	Description	List Price	Mult. Sym.												
<b>EXB007A02</b>	High Resolution Analog Board Allows one input with up to 16 bits resolution. DC inputs: ± 10V, 0-10V, ± 5V, 0-5V, with 300 microvolt resolution. Current inputs: 4-20 mA, with 0.6 microamps resolution.  <table border="0"> <tr> <td style="text-align: center;"><b>Input</b></td> <td style="text-align: center;"><b>Resolution</b></td> </tr> <tr> <td style="text-align: center;">± 10 V</td> <td style="text-align: center;">16 bit</td> </tr> <tr> <td style="text-align: center;">0 - 10 V</td> <td style="text-align: center;">15 bit</td> </tr> <tr> <td style="text-align: center;">± 5 V</td> <td style="text-align: center;">15 bit</td> </tr> <tr> <td style="text-align: center;">0 - 5 V</td> <td style="text-align: center;">14 bit</td> </tr> <tr> <td style="text-align: center;">4 - 20 mA</td> <td style="text-align: center;">15 bit</td> </tr> </table> Both the 0-10 V and 4-20 mA inputs may be inverted to 10-0 V and 20-4 mA. Two outputs, each with ± 10 VDC, 0-10 VDC or 4-20 mA with inverting capability. This replaces the analog outputs on the main control board. Uses screw terminals for connection.	<b>Input</b>	<b>Resolution</b>	± 10 V	16 bit	0 - 10 V	15 bit	± 5 V	15 bit	0 - 5 V	14 bit	4 - 20 mA	15 bit	749	E8
<b>Input</b>	<b>Resolution</b>														
± 10 V	16 bit														
0 - 10 V	15 bit														
± 5 V	15 bit														
0 - 5 V	14 bit														
4 - 20 mA	15 bit														
<b>EXB008A01</b>	Isolated Encoder Feedback Board This board is recommended for use with motors that do not have an electrically isolated encoder (Baldor Vector drive motors have isolated encoders). Contains a 0-15 VDC (300mA) isolated power supply to allow use with 5, 12 and 15 VDC encoders by jumper selection. Isolates A, B and index channels with complements. The retransmitted encoder signals may be configured in two ways with a board level jumper as follows: <ol style="list-style-type: none"> <li>For 2 channel quadrature output (A and B with complements), set jumper to disable the marker channel (index pulse) as an input.</li> <li>To use the marker channel (index pulse) as an input, jumper must be set to disable channel B (and compliment) output. Retransmitted signals will always be 5 VDC differential. Uses screw terminals for connection.</li> </ol>	791	E8												
<b>EXB010A01</b>	Two analog output/three relay output board. Provides two isolated analog outputs each with 0-5VDC, 0-10VDC, or 4-20mA capability. Also includes three relay outputs jumper selectable for N.O. or N.C. rated for 230VAC, 5 amps maximum. Uses screw terminals for connection.	461	E8												
<b>EXB012A01</b>	RS232 and RS485 High Speed Serial Communications Allows Series 15H and 18H controls to be connected to RS232 half and full duplex and isolated RS485 half duplex, 230.4K Baud maximum. Uses DB-9 connector for RS232 and screw terminals for RS485.	295	E8												
<b>EXB013A01</b>	DeviceNet Expansion Board Allows Series 15H and 18H controls to be connected to DeviceNet Communications Bus. Uses plug in terminals for connection	774	E8												
<b>EXB014A01</b>	Profibus DP Expansion Board Allows Series 15H and 18H controls to be connected to Profibus Communications Bus. Uses plug in terminals for connection	932	E8												
<b>EXB015A01</b>	Modbus plus Expansion Board Allows Series 15H and 18H controls to be connected to Modbus Communications Bus. Uses plug in terminals for connection	1,114	E8												

**Notes on Mounting**

Expansion Boards plug into a slot inside the control. When using one expansion board either a Group 1 or 2 board will connect by a connector on the side of the board. When two expansion boards are used one must be from Group 1 and one from Group 2.

Accessory Boards can mount into either a Group 1 or Group 2 slot. When using an Accessory Board only one other Expansion Board may be used.

**Group 1 Boards**

- Isolated Input Board
- EXB003A04
- EXB003A05
- Master Pulse Reference/
- Isolated Pulse Follower
- EXB005A01
- DC Tachometer Interface
- EXB006A01
- Isolated Encoder Feedback
- EXB008A01

**Group 2 Boards**

- Four Output Relays /
- 3-15 PSI Pneumatic Interface
- EXB004A01
- High Resolution Analog Board
- EXB007A02
- Two analog output/three relay outputs
- EXB010A01
- RS232/RS485 High Speed Serial
- Communication
- EXB012A01
- DeviceNet Communication
- EXB013A01
- Profibus DP Communication
- EXB014A01
- Modbus Plus Communication
- EXB015A01

Farm Duty  
Motors

Definite Purpose  
Motors

Unit Handling  
Motors

Brake  
Motors

200 & 575 Volt  
Motors

IEC Frame  
Motors

50 Hertz  
Motors

Inverter/Vector  
Motors & Controls

DC Motors  
and Controls

Soft Start & Dynamic  
Brakes

Three Phase - Line and Load Reactors

1 thru 500 Hp



**Applications:** Line side power conditioning for AC motor controls to prevent unwanted harmonics and nuisance drive trips. Load side power conditioning to smooth power wave form to connected motor to reduce motor electrical stresses and increase motor life.

**Features:** Open construction with connection terminals. 3% impedance rating at rated current.

Hp	kW	Input Voltage	Rated Amps	Induct. (mH)	Full Load Watts Loss	Catalog Number	List Price	Mult. Sym.	Ap'x. Shpg. Wgt.
<b>208/230 Volt input, 60 Hz, 3% Impedance</b>									
1	0.75	230	4	3	15	LRAC00401	306	E8	4
1 1/2-2	1.15-1.5	208/230	8	1.5	20	LRAC00801	306	E8	7
3	2.2	208/230	12	1.25	26	LRAC01201	495	E8	9
5	3.7	208/230	18	0.8	36	LRAC01801	519	E8	9
7 1/2	5.5	208/230	25	0.5	48	LRAC02501	623	E8	11
10	7.4	208/230	35	0.4	49	LRAC03501	661	E8	14
15	11.1	230	45	0.3	54	LRAC04501	697	E8	23
20	14.9	230	55	0.25	64	LRAC05501	740	E8	24
25	18.6	208/230	80	0.2	82	LRAC08001	779	E8	25
30-40	22.3-29.8	208/230	130	0.1	108	LRAC13001	948	E8	29
50	37.2	208/230	160	0.075	116	LRAC16001	1,102	E8	41
<b>460 Volt input, 60 Hz, 3% Impedance</b>									
1-1 1/2	0.75-1.1	460	2	12	8	LRAC00201	258	E8	4
2	1.5	460	4	6.5	20	LRAC00402	325	E8	4
3-5	2.2-3.7	460	8	3	29	LRAC00802	379	E8	8
7 1/2	5.5	460	12	2.5	31	LRAC01202	523	E8	10
10	7.4	460	18	1.5	43	LRAC01802	547	E8	12
15	11.1	460	25	1.2	52	LRAC02502	862	E8	14
20-25	14.9-18.6	460	35	0.8	54	LRAC03502	916	E8	16
30	22.3	460	45	0.7	62	LRAC04502	994	E8	28
40	29.8	460	55	0.5	67	LRAC05502	1,026	E8	27
50-60	37.2-44.7	460	80	0.4	86	LRAC08002	1,038	E8	33
75-100	56-75	460	130	0.2	180	LRAC13002	1,055	E8	43
125	93.2	460	160	0.15	149	LRAC16002	1,163	E8	50
150	112	460	200	0.11	168	LRAC20002	1,615	E8	54
200	149	460	250	0.09	231	LRAC25002	2,107	E8	80
250-300	186.5-223.8	460	400	0.06	333	LRAC40002	2,704	E8	118
350-400	261-298	460	500	0.05	340	LRAC50002	3,796	E8	118
500	373	460	600	0.04	414	LRAC60002	5,914	E8	175
<b>575 Volt input, 60 Hz, 3% Impedance</b>									
1-2	0.75-1.5	575	2	20	12	LRAC00202	286	E8	4
3	2.2	575	4	9	20	LRAC00403	338	E8	5
5	3.7	575	8	3	29	LRAC00802	379	E8	8
7 1/2	5.5	575	8	5	26	LRAC00803	501	E8	11
10	7.5	575	12	2.5	31	LRAC01202	523	E8	10
15	11	575	18	1.5	43	LRAC01802	547	E8	12
20	15	575	25	1.2	52	LRAC02502	862	E8	14
30	22	575	35	0.8	54	LRAC03502	916	E8	16
40	30	575	45	0.7	62	LRAC04502	994	E8	28
50	37.2	575	55	0.5	67	LRAC05502	1,026	E8	27
60-75	44.7-56	575	80	0.4	86	LRAC08002	1,038	E8	33
100-125	75-93	575	130	0.2	180	LRAC13002	1,055	E8	43
150	112	575	160	0.15	149	LRAC16002	1,163	E8	50

**NOTE:** See page 304 for Line Reactor enclosures. See notes on inside back flap.

Farm Duty Motors

Definite Purpose Motors

Unit Handling Motors

Brake Motors

200 & 575 Volt Motors

IEC Frame Motors

50 Hertz Motors

Inverter/Vector Motors & Controls

DC Motors and Controls

Soft Starters & Dynamic Brakes

**Three Phase - Line and Load Reactors continued...**

Hp (Rated)	kW (Rated)	Input Voltage	Rated Amps	Induct. (mH)	Full Load Watts Loss	Catalog Number	List Price	Mult. Sym.	Ap'x. Shpg. Wgt.
<b>200-240 Volt input, 50 Hz, 3% Impedance</b>									
1	0.75	240	4	3	15	LRAC00401	306	E8	4
1 1/2-2	1.1-1.5	200/240	8	1.5	20	LRAC00801	306	E8	7
3	2.2	200/240	12	1.25	26	LRAC01201	495	E8	9
5	3.7	200/240	18	0.8	36	LRAC01801	519	E8	9
7 1/2	5.5	240	25	0.5	48	LRAC02501	623	E8	11
10	7.5	200/240	35	0.4	49	LRAC03501	661	E8	14
15	11.1	240	45	0.3	54	LRAC04501	697	E8	23
20	14.9	240	55	0.25	64	LRAC05501	740	E8	24
25	18.6	200/240	80	0.2	82	LRAC08001	779	E8	25
30-40	22.3-29.8	200/240	130	0.1	108	LRAC13001	948	E8	29
50	37.2	200/240	160	0.075	116	LRAC16001	1,102	E8	41
<b>380/400/415 Volt input, 50 Hz, 3% Impedance</b>									
1	0.75	380	2	12	8	LRAC00201	258	E8	4
1	0.75	400/415	2	20	12	LRAC00202	286	E8	4
2	1.5	380	4	6.5	20	LRAC00402	325	E8	4
2	1.5	400/415	4	9	20	LRAC00403	338	E8	5
3	2.2	380/400/415	8	3	29	LRAC00802	379	E8	8
5	3.7	380/400/415	8	5	26	LRAC00803	501	E8	11
7 1/2	5.5	380/400/415	12	2.5	31	LRAC01202	523	E8	10
10	7.5	380/400/415	18	1.5	43	LRAC01802	547	E8	12
15	11.1	380/400/415	25	1.2	52	LRAC02502	862	E8	14
20	14.9	380/400/415	35	0.8	54	LRAC03502	916	E8	16
25-30	18.6-22.3	380/400/415	45	0.7	62	LRAC04502	994	E8	28
40-50	29.8-37.2	380/400/415	80	0.4	86	LRAC08002	1,038	E8	33
60-75	44.7-56	380/400/415	130	0.2	180	LRAC13002	1,055	E8	43
100	75	400/415	160	0.15	149	LRAC16002	1,163	E8	50
125	93	380/400/415	200	0.11	168	LRAC20002	1,615	E8	54
150-200	112-149	380/400/415	250	0.09	231	LRAC25002	2,107	E8	80
250-300	186.2-223.8	380/400/415	400	0.06	333	LRAC40002	2,704	E8	118
350-400	261-298	380/400/415	500	0.05	340	LRAC50002	3,796	E8	118

**Line Reactor Enclosures NEMA 1**

Enclosure Catalog No.	to Fit LRAC Catalog No.	Mount Type	List Price	Mult. Sym.	Ap'x Shpg. Wgt. (Lbs)	Width (IN/mm)	Height (IN/mm)	Depth (IN/mm)
LRENC-8	LRAC002-4XX	LRAC01801	193	E8	12	8 (293)	10 (254)	6 (152)
	LRAC008-12XX	LRAC01802						
LRENC-13	LRAC01803	LRAC08002	379	E8	16	13 (330)	15 (381)	13 (330)
	LRAC025-35XX							
	LRAC045-55XX							
LRENC-15	LRAC080XTB	LRAC110-160XX	570	E8	35	15 (381)	16 (406)	13 (330)
	LRAC0110-500XX							
LRENC-20S	LRAC200-250XCB	LRAC250-900ACB	764	E8	50	20 (508)	19 (483)	16 (406)

**NOTE:** See notes on inside back flap.

## Remote Operator Control Stations

Baldor offers a variety of remote operator's control stations to meet the needs of most AC or DC drive applications. A unique feature of the controls is the choice of non-maintained or maintained stop push button functions. Other standard features include:

- Convenient easy-to-connect terminal blocks. Numbered/indicated contacts;
- UL listing. Optional features include: 5K ohm speed potentiometer; run/jog selector switch or push button; forward/reverse selector; auto/manual selector switch; and hand-off-auto selector switches.



Start Push Button	Stop Push Button (a)	5K Speed Pot	Run-Jog Switch	Jog Push Button	Fwd-Rev Switch	Hand-Auto Switch	Hand-Off-Auto Switch	Catalog Number	List Price	Mult. Sym.	Ap'x. Shpg. Wgt.	Dimensions		
												Height (in/mm)	Width (in/mm)	Depth (in/mm)
<b>NEMA 1, 3R, 4, 4X and 12 Remote Operator Stations</b>														
X	NM							<b>9C80</b>	254	E8	1	5/128	2.9/74	2.5/64
X	M							<b>9C81</b>	254	E8	1	5/128	2.9/74	2.5/64
X	NM	X						<b>9C90</b>	340	E8	1	6.6/167	2.9/74	2.5/64
X	M	X						<b>9C91</b>	340	E8	1	6.6/167	2.9/74	2.5/64
X	NM	X	X					<b>9C200</b>	397	E8	2	8.1/207	2.9/74	2.5/64
X	M	X	X					<b>9C201</b>	397	E8	2	8.1/207	2.9/74	2.5/64
X	NM	X				X		<b>9C210</b>	487	E8	2	8.1/207	2.9/74	2.5/64
X	M	X				X		<b>9C211</b>	487	E8	2	8.1/207	2.9/74	2.5/64
X	NM	X					X	<b>9C220</b>	487	E8	2	8.1/207	2.9/74	2.5/64
X	M	X					X	<b>9C221</b>	487	E8	2	8.1/207	2.9/74	2.5/64
X	NM	X	X			X		<b>9C230</b>	715	E8	2	11.3/287	2.9/74	2.5/64
X	M	X	X			X		<b>9C231</b>	715	E8	2	11.3/287	2.9/74	2.5/64
X	NM	X		X				<b>9C240</b>	423	E8	2	8.1/207	2.9/74	2.5/64
X	M	X		X				<b>9C241</b>	423	E8	2	8.1/207	2.9/74	2.5/64
X	NM	X	X		X			<b>9C300</b>	475	E8	2	11.3/287	2.9/74	2.5/64
X	M	X	X		X			<b>9C301</b>	475	E8	2	11.3/287	2.9/74	2.5/64
X	NM	X			X	X		<b>9C310</b>	698	E8	2	11.3/287	2.9/74	2.5/64
X	M	X			X	X		<b>9C311</b>	698	E8	2	11.3/287	2.9/74	2.5/64
X	NM	X			X		X	<b>9C320</b>	634	E8	2	11.3/287	2.9/74	2.5/64
X	M	X			X		X	<b>9C321</b>	634	E8	2	11.3/287	2.9/74	2.5/64
X	NM	X	X		X	X		<b>9C330</b>	708	E8	2	11.3/287	2.9/74	2.5/64
X	M	X	X		X	X		<b>9C331</b>	708	E8	2	11.3/287	2.9/74	2.5/64
X	NM	X		X	X			<b>9C340</b>	470	E8	2	11.3/287	2.9/74	2.5/64
X	M	X		X	X			<b>9C341</b>	470	E8	2	11.3/287	2.9/74	2.5/64
<b>NEMA 7/9 Explosion Proof Remote Operator Stations</b>														
X	NM	X	X		X			<b>9C16</b>	2,560	E8	15	5.3/134	14.1/258	3.3/84
X	NM	X	X					<b>9C17</b>	2,366	E8	12	5.3/134	10.6/269	3.3/84

**NOTE:** (a) M = Maintained (Stop button contact remains open after stop button is depressed. To restart the drive, the stop button must be depressed before the start button.)  
 NM = Non-Maintained (Stop button contact momentarily opens and stops the drive. The contact then closes allowing the drive to be started when the start button is depressed.)

Farm Duty Motors

Definite Purpose Motors

Unit Handling Motors

Brake Motors

200 & 575 Volt Motors

IEC Frame Motors

50 Hertz Motors

Inverter/Vector Motors & Controls

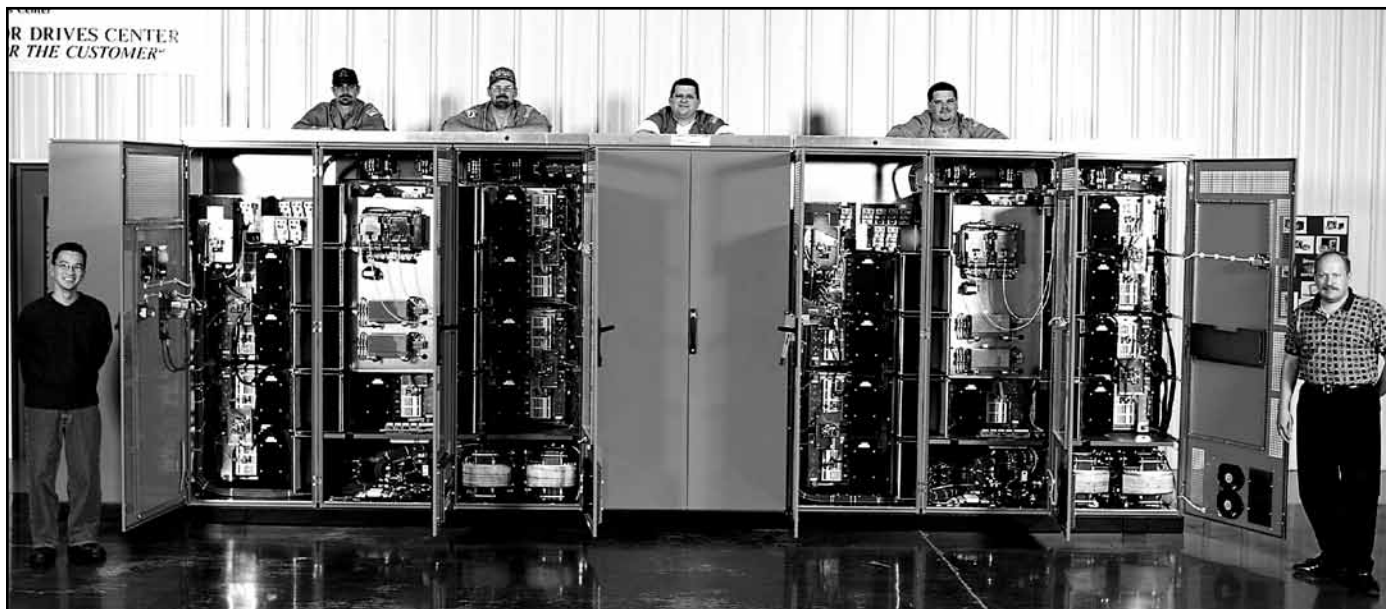
DC Motors and Controls

Soft Starters & Dynamic Brakes

**Are your drive needs beyond the scope of a stock item?  
Whatever your drive need, Baldor can help!  
Contact your local Baldor•Reliance District Office  
for more information.**

- **Higher horsepower AC Drives (up to 1600 Hp)**
- **Full line of Regen AC Drive (10-1500 Hp)**
- **Custom Panels and Modifications available from our  
UL 508 Certified Drives Center in several enclosure types  
including:**

- ~ NEMA 1
- ~ NEMA 4/4X
- ~ NEMA 3R
- ~ NEMA 12



Farm Duty  
Motors

Definite Purpose  
Motors

Unit Handling Motors

Brake Motors

200 & 575 Volt  
Motors

IEC Frame  
Motors

50 Hertz  
Motors

Inverter/Vector  
Motors & Controls

DC Motors  
and Controls

Soft Start & Dynamic  
Brakes



### Subfractional Permanent Magnet DC Motor - TENV, Rigid Base



#### 1/50 thru 1/4 Hp

**Applications:** General purpose including conveyors, material handling equipment and packaging machinery.

**Features:** High quality ball bearing motors with precision machined die cast aluminum or steel housings. Dynamically balanced for smooth, vibration-free operation.

Input Motor Hp	Output Base Speed	Voltage Direct Current Armature	Full Load Amperage Armature	Catalog Number	List Price	Mult. Sym.	Gear Style	Ap'x. Shpg. Wgt.	Notes (a)
1/50	1800	90	0.3	AP231001	256	DS	2308P	4	20,60
1/25	1725	90	0.5	AP232001	281	DS	2314P	5	20,60
1/15	1800	90	0.8	AP233001	302	DS	2318P	6	20,60
		180	0.4	AP233021	302	DS	2318P	6	20,60
1/8	1725	90	1.3	AP7401	422	DS	2424P	10	20,60
		180	0.7	AP7402	422	DS	2424P	10	20,60
1/4	3450	90	2.5	AP7421	422	DS	2424P	10	20,60
		180	1.3	AP7422	422	DS	2424P	11	20,60

**NOTE:** Supplied with type SJO, three foot 18/3 AWG grounded cord. (a) See notes on inside back flap.

### SCR Drive Permanent Magnet Motor - TENV and TEFC, C-Face with Base



#### 1/4 thru 5 Hp

#### NEMA 56C thru 1810ATC

**Applications:** Conveyors, mixers, packaging machinery.

**Features:** NEMA C-face with removable base. Tach adaptable. Class F insulation, double sealed ball bearings. 20:1 constant torque speed range. UL and CSA recognized. 1/4 - 1/2 Hp motors are TENV, all others are TEFC. No dual mounting base holes on 1/4 - 1/2 Hp.

Hp	Base Speed	NEMA Frame	Voltage D.C.	Full Load Amperage	Enclosure	Catalog Number	List Price	Mult. Sym.	Ap'x. Shpg. Wgt.	Notes (a)	Reliance M/N
			Arm.	Arm.							
1/4	1750	56C	90	2.5	TENV	CDP3310	612	K	24	20,60	T56S1001
			180	1.25	TENV	CDP3306	612	K	24	20,60	
1/3	1750	56C	90	3.2	TENV	CDP3320	646	K	27	20,60	T56S1003
			180	1.6	TENV	CDP3316	646	K	27	20,60	
1/2	1750	56C	90	4.8	TENV	CDP3330	723	K	32	20,60	T56S1005
			180	2.5	TENV	CDP3326	723	K	31	20,60	T56S1027
3/4	1750	56C	90	5	TENV	CDP3335	646	K	26	20,60	T56S1006
			90	7.6	TEFC	CDP3440	878	K	38	20	T56S1009
			180	3.7	TEFC	CDP3436	878	K	38	20	T56S1029
1	1750	56C	90	7.5	TEFC	CDP3443	776	K	36	20	
			90	10	TEFC	CDP3445	1,067	K	44	20	T56S1011
			180	5	TEFC	CDP3455	1,067	K	44	20	T56S1013
1 1/2	2500	56C	90	9.7	TEFC	CDP3450	878	K	38	20	
			180	4.85	TEFC	CDP3460	878	K	38	20	T56S1012
			1750	7.7	TEFC	CDP3575	1,967	L1	65	20	
2	2500	145TC	180	7	TEFC	CDP3580	1,711	L1	51	20	
			1750	9.6	TEFC	CDP3585	2,347	L1	74	20	
3	1750	145TC	180	10	TEFC	CDP3590	1,967	L1	64	8	
			182TC	14	TEFC	CDP3603	2,890	L1	112	20	
5	1750	182TC	180	14	TEFC	CDP3604	2,874	L1	115	20	
			1810ATC	21.6	TEFC	CDP3605	4,906	L1	160	20	

**NOTE:** See Tach Generators on page 323 and Mounting Kits on page 324. (a) See notes on inside back flap.

Farm Duty Motors

Definite Purpose Motors

Unit Handling Motors

Brake Motors

200 & 575 Volt Motors

IEC Frame Motors

50 Hertz Motors

Inverter/Vector Motors & Controls

DC Motors and Controls

Soft Starters & Dynamic Brakes

### Integral DC Tach Permanent Magnet SCR Drive Motor - TENV and TEFC, C-Face with Base

1/4 thru 5 Hp

NEMA 56C thru 1810ATC

**Applications:** Conveyors and metering pumps (precise speed regulation).

**Features:** Provides an integral 50 VDC per 1000 RPM precision tachometer for closed loop drive system. Class F insulation. 20:1 constant torque speed range with NEMA Type K control. 1/4 - 1/2 motors are TENV, all others are TEFC.



Hp	Base Speed	NEMA Frame	Voltage D.C.		Enclosure	Catalog Number	List Price	Mult. Sym.	Ap'x. Shpg. Wgt.	Notes (a)
			Arm.	Arm.						
1/4	1750	56C	90	2.5	TENV	CDPT3310	1,749	K	27	20,60
			180	1.25	TENV	CDPT3306	1,749	K	27	20,60
1/3	1750	56C	90	3.2	TENV	CDPT3320	1,784	K	32	20,60
			180	1.6	TENV	CDPT3316	1,784	K	30	20,60
1/2	1750	56C	90	4.8	TENV	CDPT3330	1,896	K	35	20,60
			180	2.5	TENV	CDPT3326	1,896	K	36	20,60
3/4	1750	56C	90	7.6	TEFC	CDPT3440	2,006	K	44	20
			180	3.7	TEFC	CDPT3436	2,006	K	45	20
1	1750	56C	90	10	TEFC	CDPT3445	2,238	K	50	20
			180	5	TEFC	CDPT3455	2,238	K	50	20
1 1/2	1750	143TC	180	7.7	TEFC	CDPT3575	3,106	L1	69	20
2	1750	143TC	180	9.6	TEFC	CDPT3585	3,485	L1	79	20
3	1750	182ATC	180	14	TEFC	CDPT3603	4,054	L1	122	20
5	1750	1810ATC	180	24.5	TEFC	CDPT3605	6,065	L1	161	20

(a) See notes on inside back flap.

### Explosion Proof Permanent Magnet SCR Drive Motor - TEFC, C-Face with Base

1/4 thru 1 1/2 Hp

NEMA 56C thru 145TC

**Applications:** Conveyors, feeders, and pumps (adjustable speed and constant torque for hazardous locations).

**Features:** NEMA C-Face with welded on base. 20:1 constant torque speed range. UL and CSA. Class I, Group D; Class II, Group F & G. T3C. Thermostat and explosion proof conduit box included. Not tach adaptable.



Hp	Base Speed	NEMA Frame	Voltage D.C.		Catalog Number	XP (a) CIs/Grp	List Price	Mult. Sym.	Ap'x. Shpg. Wgt.	Notes (a)
			Arm.	Arm.						
1/4	1750	56C	90	2.7	CDPX3410	Ⓢ	1,681	K	38	20, 59
			180	1.3	CDPX3406	Ⓢ	1,681	K	38	20, 59
1/3	1750	56C	90	3.6	CDPX3420	Ⓢ	2,112	K	42	20, 59
			180	1.7	CDPX3416	Ⓢ	2,112	K	44	20, 59
1/2	1750	56C	90	5.2	CDPX3430	Ⓢ	2,385	K	46	20, 59
			180	2.5	CDPX3426	Ⓢ	2,385	K	46	20, 59
3/4	1750	56C	90	7	CDPX3440	Ⓢ	2,948	K	51	20, 59
			180	3.5	CDPX3436	Ⓢ	2,948	K	51	20, 59
1	1750	56C	90	9.6	CDPX3545	Ⓢ	3,927	K	72	20, 59
			180	4.9	CDPX3555	Ⓢ	3,927	K	71	20, 59
1 1/2	1750	145TC	180	7.1	CDPX3575	Ⓢ	4,198	L1	81	20, 59

(a) See notes on inside back flap.

### Washdown Duty Permanent Magnet SCR Drive Motor - TENV and TEFC, C-Face with Base



1/4 thru 5 Hp

NEMA 56C thru 1810ATC

**Applications:** Food processing conveyors and feeders exposed to high pressure wash down.

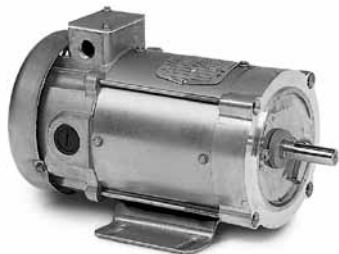
**Features:** Moisture sealant on bolt heads between frame and endplates, neoprene gasketed conduit box. Double sealed ball bearings. Forsheda® running contact v-ring slinger. Stainless steel shaft. Electrostatic epoxy paint coating. Class F insulation. 20:1 constant torque speed range. Tach adaptable. 3300P motors are TENV, all others are TEFC.

Hp	Base Speed	NEMA Frame	Voltage D.C.	Full Load Amperage	Enclosure	Catalog Number	List Price	Mult. Sym.	Ap'x. Shpg. Wgt.	Notes (a)
			Arm.	Arm.						
1/4	1750	56C	90	2.5	TENV	GDPWD3310	793	K	23	20,60
			180	1.25	TENV	CDPWD3306	793	K	24	20,60
1/3	1750	56C	90	3.2	TENV	CDPWD3320	837	K	27	20,60
			180	1.6	TENV	CDPWD3316	837	K	27	20,60
1/2	1750	56C	90	4.8	TENV	CDPWD3330	941	K	32	20,60
			180	2.5	TENV	CDPWD3326	941	K	32	20,60
3/4	1750	56C	90	7.6	TEFC	CDPWD3440	1,136	K	38	20
			180	3.7	TEFC	CDPWD3436	1,136	K	38	20
1	1750	56C	90	10	TEFC	CDPWD3445	1,386	K	44	20
			180	5	TEFC	CDPWD3455	1,386	K	44	20
1 1/2	1750	145TC	180	7.7	TEFC	CDPWD3575	2,652	L1	66	20
2	1750	145TC	180	9.6	TEFC	CDPWD3585	3,165	L1	73	20
3	1750	182TC	180	14	TEFC	CDPWD3603	4,051	L1	114	20
5	1750	1810ATC	180	24.5	TEFC	CDPWD3605	6,863	L1	157	20

**NOTE:** See Tach Generators on page 323. Mounting kits on page 324.

(a) See notes on inside back flap.

### Paint Free Washdown Duty Permanent Magnet SCR Drive Motor, TEFC, C-Face with Base



1/4 thru 1 Hp

NEMA 56C

**Applications:** Food processing, packaging exposed to high pressure washdown with caustic solutions.

**Features:** Class F insulation; 20:1 constant torque speed range. Moisture resistant 200°C magnet wire. Sealed ball bearings with moisture resistant grease. Contact lip seals on shaft extensions. Neoprene gaskets. Special processed endplates. 300 series stainless steel motor frame, base, shaft and hardware. No exterior paint. Not tach adaptable.

Hp	Base Speed	NEMA Frame	Voltage D.C.	Full Load Amperage	Catalog Number	List Price	Mult. Sym.	Ap'x. Shpg. Wgt.	Notes (a)
			Arm.	Arm.					
1/4	1750	56C	90	2.7	CDPSWD3410	949	K	29	20
			180	1.3	CDPSWD3406	949	K	28	20
1/2	1750	56C	90	5.2	CDPSWD3430	1,125	K	37	20
			180	2.5	CDPSWD3426	1,125	K	38	20
1	1750	56C	90	9.6	CDPSWD3545	1,663	K	63	20
			180	4.9	CDPSWD3555	1,663	K	63	20

(a) See notes on inside back flap.

Farm Duty Motors

Definite Purpose Motors

Unit Handling Motors

Brake Motors

200 & 575 Volt Motors

IEC Frame Motors

50 Hertz Motors

Inverter/Vector Motors & Controls

DC Motors and Controls

Soft Starters & Dynamic Brakes

### Metric Flange Permanent Magnet SCR Drive Motor, TENV and TEFC, Flange and Face Mount

0.15 thru 5 kW  
0.2 thru 3.7 Hp

IEC D63 thru D112D

**Applications:** Metric SCR Drive Motor replacement.

**Features:** Metric Flange or C-Face per IEC 60072-1 Standards. Bolt on non-metric base. Class F insulation. Tach adaptable except type 15kW. 20:1 constant torque speed range. Conforms to IEC 60034-1.



kW/HP	Base Speed	NEMA Frame	Voltage D.C.		Enclosure	Catalog Number	List Price	Mult. Sym.	Ap'x. Shpg. Wgt.	Notes (a)
			Arm.	Arm.						
<b>B5 Flange</b>										
.15/.20	1800	D63D	180	1.1	TENV	VP7424D	423	DS	11	60
.18/.25	1750	D71D	180	1.25	TENV	VP3311D	612	K	24	20,60
.25/.33	1750	D71D	180	1.6	TENV	VP3316D	646	K	28	20,60
.37/.5	1750	D71D	180	2.5	TENV	VP3326D	723	K	31	20,60
	3000	D71D	180	2.5	TEFC	VP3428D	749	K	32	20
.57/.75	1750	D80D	180	3.7	TEFC	VP3436D	878	K	41	20
	3000	D80D	180	3.6	TEFC	VP3439D	776	K	37	20
.75/1	1750	D80D	180	5	TEFC	VP3455D	1,067	K	46	20
	3000	D80D	180	5.1	TEFC	VP3458D	878	K	41	20
1.1/1.5	3000	D90D	180	7.7	TEFC	VP3468D	978	L1	47	20
	1750	D90D	180	7.7	TEFC	VP3575D	1,978	L1	68	20
1.5/2	1750	D90D	180	9.6	TEFC	VP3585D	2,360	L1	77	20
	3000	D90D	180	10	TEFC	VP3588D	1,978	L1	69	20
2.2/3	1750	D112D	180	14	TEFC	VP3603D	2,904	L1	124	20
3.7/5	1750	D112D	180	24.5	TEFC	VP3605D	4,931	L1	165	20
<b>B14 Face</b>										
.15/.20	1800	D63D	180	1.1	TENV	VP7424-14	423	DS	5	60
.18/.25	1750	D71C	180	1.4	TEFC	VP3411-14	688	K	30	20
.25/.33	1750	D71C	180	1.7	TEFC	VP3416-14	733	K	31	20
1.37/.50	3000	D71C	180	2.5	TEFC	VP3428-14	749	K	31	20
	1750	D71C	180	2.5	TEFC	VP3426-14	776	K	37	20
.56/.75	3000	D80C	180	3.6	TEFC	VP3439-14	776	K	35	20
	1750	D80C	180	3.7	TEFC	VP3436-14	878	K	39	20
.75/1	3000	D80C	180	5.1	TEFC	VP3458-14	878	K	38	20
	1750	D80C	180	5	TEFC	VP3455-14	1,067	K	44	20
1.1/1.5	3000	D80C	180	7.7	TEFC	VP3468-14	978	L1	43	20
	1750	D90C	180	7.7	TEFC	VP3575-14	1,978	L1	71	20
1.5/2	3000	D90C	180	10.0	TEFC	VP3588-14	1,978	L1	70	20
	1750	D90C	180	9.6	TEFC	VP3585-14	2,360	L1	80	20

**NOTE:** Above motors D71 and larger with B5 flange, fitted with oil seal. Catalog numbers VP7424D and VP7424-14 are not tach adaptable. Tach Generators are shown on page 323. Tach Mounting Kits are shown on page 324.

(a) See notes on inside back flap.

### Low Voltage Permanent Magnet Motor - TENV and TEFC

1/4 thru 1 Hp

NEMA 56C



**Applications:** Battery operation for portable pumps, fans, augers, winches and lifts.

**Features:** NEMA C-face, Class F insulation, double sealed ball bearings. Top-mounted terminal studs for power connection on ratings 40-amps and up. Not tach adaptable. 1/4 - 1/2 Hp are TENV, 3/4 - 1 Hp are TEFC.

Hp	Base Speed	NEMA Frame	Voltage D.C.	Full Load Amperage	Catalog Number	List Price	Mult. Sym.	Ap'x. Shpg. Wgt.	Notes (a)
1/4	1800	56C	12	22.5	CDP3410-V12	658	K	30	20,60
			24	10.6	CDP3410-V24	624	K	29	20,60
1/3	1800	56C	12	28.6	CDP3420-V12	723	K	30	20,60
			24	13.6	CDP3420-V24	689	K	30	20,60
1/2	1800	56C	12	40	CDP3430-V12	749	K	33	20,60
			24	19.6	CDP3430-V24	714	K	34	20,60
3/4	1800	56C	12	66	CDP3440-V12	1,075	K	42	20
		56CZ	24	29.4	CDP3440-V24	745	K	35	20
1	1800	56C	12	85.6	CDP3445-V12	1,556	K	45	20
			24	34.2	CDP3445-V24	1,549	K	44	20

(a) See notes on inside back flap.

### DC Power Motor - TEFC, Rigid Base

1/3 thru 1 1/2 Hp

NEMA 56 thru 184



**Applications:** Cranes, hoists, conveyors, augers and marine duty DC applications. Powered from generators or batteries.

**Features:** 20% Compound Wound. Weather proof, meets IEEE 45 specifications. Suitable for mounting in any position. Continuous duty. Easy access brushes. Not tach adaptable.

Hp	Speed	NEMA Frame	Rated Current	Catalog Number	List Price	Mult. Sym.	Ap'x. Shpg. Wgt.	Notes (a)
<b>115 VDC</b>								
1/3	1750	56	3.2	D1151	1,197	K	23	20
1/2	1750	56	4.8	D1152	1,280	K	29	20
3/4	1750	56	6.6	D1153	1,503	K	34	20
1	1750	56	8	D1154	1,768	K	62	20
<b>230 VDC</b>								
1/3	1750	56	1.7	D2301	1,197	K	30	20
1/2	1750	56	2.1	D2302	1,283	K	29	20
3/4	1750	56	3.3	D2303	1,503	K	33	20
1	1750	56	4	D2304	1,768	K	61	20
1 1/2	1750	184	6.1	D2305	3,104	L1	82	20

**NOTE:** Not for SCR control applications. Base welded on 3513D type only. Not tach adaptable.

(a) See notes on inside back flap.

Farm Duty Motors

Definite Purpose Motors

Unit Handling Motors

Brake Motors

200 & 575 Volt Motors

IEC Frame Motors

50 Hertz Motors

Inverter/Vector Motors & Controls

DC Motors and Controls

Soft Starters & Dynamic Brakes

### Shunt Wound SCR Drive Motors, TEFC & Explosion Proof C-Face with Base

1/4 thru 3 Hp

NEMA 56C thru 215C

**Applications:** Conveyors, printing, textile equipment, machine tools (adjustable speeds with constant torque).

**Features:** TEFC enclosure, shunt wound, Class F insulation. Designed for use with NEMA TYPE K SCR control, 20:1 constant torque speed range (except where noted). NEMA C-face and removable base (1) (except on explosion proof models). NEMA 182 and larger have a thermostat (normally closed contracts) on the field winding.



Hp	Base Speed	NEMA Frame	Voltage D.C.		Full Load Amperage		Catalog Number	XP (e) Cls/Grp	List Price	Mult. Sym.	Ap'x. Shpg. Wgt.	Notes (e)
			Arm.	Field	Arm.	Field (c)						
1/4	1750	56C	90	100/50	3	.3/6	CD3425		616	K	23	20
1/3	1750	56C	90	100/50	3.4	.4/8	CD3433		673	K	24	20
			180	200/100	1.9	.21/.42	CD3434		673	K	24	20
			90	100/50	3.7	.5/1	CD5333 (a)(d)		970	K	32	20
1/2	1750	56C	90	100/50	5.7	.5/1	CD3450		765	K	29	20
			180	200/100	2.6	.25/.5	CD3451		765	K	29	20
			90	100/50	5	.44/.88	CD5350 (d)		1,072	K	38	20
3/4	1750	56C	90	100/50	7.8	.6/1.2	CD3475		952	K	34	20
			180	200/100	3.9	.3/6	CD3476		952	K	34	20
			90	100/50	8	.6/1.2	CD5375 (d)		1,262	K	47	20
1	1750	56C	180	200/100	5	.3/6	CD5318 (d)		1,344	K	53	20
			90	100/50	10	.6/1.2	CD5319 (d)		1,344	K	52	20
		182C	180	200/100	5	.25/.5	CD6218		1,796	L1	65	20
			90	100/50	9.6	.55/1.1	CD6219		1,796	L1	64	20
1 1/2	1750	182C	180	200/100	7.5	.25/.5	CD6215		2,011	L1	82	20
2	1750	182C	180	200/100	9.5	.4/8	CD6202		2,379	L1	96	20
		213C	180	200/100	9.5	.4/8	CD7502		4,174	L1	105	20
3	1750	184TC	180	200/100	14.7	.6/1.2	CD6203		2,701	L1	135	8, 73
		215C	180	200/100	14.7	.6/1.2	CD7503		4,439	L1	140	20
<b>Explosion-Proof - Continuous Duty - Class I, Group D &amp; Class II, Group F &amp; G - 1.0 S.F.</b>												
1/2	1750	182CZ	90	100/50	4.9	.55/1.1	CDX1850 (b)	Ⓢ	2,440	L1	103	2
3/4	1750	182CZ	90	100/50	7	.55/1.1	CDX1875 (b)	Ⓢ	3,232	L1	102	2
1	1750	182CZ	180	200/100	5	.25/.5	CDX2001 (b)	Ⓢ	4,021	L1	105	2
		182C	180	200/100	5	.25/.5	CDX7100	Ⓢ	3,337	L1	103	2
1 1/2	1750	182C	180	200/100	7.5	.25/.5	CDX7150	Ⓢ	4,419	L1	118	2
2	1750	182C	180	200/100	9.5	.4/8	CDX7200 (b)	Ⓢ	4,963	L1	137	2

**NOTE:** See Tach Generators on page 323 and Mounting Kits on page 324. Tach Mounting Kits are not available for explosion-proof motors.

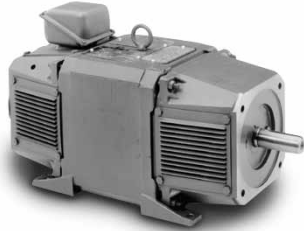
- (a) Base welded on type 3513D only.
- (b) Refers to shaft and/or face mounting dimensions only. Base mounting dimensions and shaft height differ from NEMA frames shown. Go to [www.baldor.com](http://www.baldor.com) for details.
- (c) Field amps for high voltage connection.
- (d) No dual mounting base holes on 35D, 75D or 91D type.
- (e) See notes on inside back flap.

Explosion-proof ratings UL and CSA, Class I, Group D & Class II, Group F & G, will not exceed surface temperature of 165°C, equivalent to Code T3B.

\* F2 Mount



### RPM III DC Shunt Wound SCR Drive Motors, 180V Armature Power Code K



1.5 thru 5 Hp

NEMA 189ATY thru 2112ATCZ

**Applications:** Metals, paper, web processes, extruders, cranes, conveyors, packaging, printing, machine tools.

**Features:** Unique laminated square frame for improved commutation on rectified power supplies. The square configuration allows for increased rating per frame size. Class F rated insulation system. Service Line brushes with convenient wear indicating reference lines. PLS™ (Positive Lubrication System) for longer bearing and motor life. F-3 mounting. Tach adaptable with thermostat.

Hp	Base Speed	NEMA Frame	Voltage D.C.		Full Load Amperage		Enclosure	Catalog Number	List Price	Mult. Sym.	Ap'x. Shpg. Wgt.	Reliance M/N	Field Type	XPY Tach Kit
			Arm.	Field	Arm.	Field (a)(b)								
1.5	1750	DC189ATY (c)	180	100/200	7.2	0.721	TENV	D1815R	5,275	N2	169	T18R1119	STR	413336-1R
2	1750	DC189ATY (c)	180	100/200	9.5	0.72	TENV	D1802R	5,275	N2	166	T18R1117	STR	413336-1R
3	1750	DC1811ATCZ (d)	180	100/200	14.1	1.21	TENV	CD1803R	8,651	N2	218	T18R1102	STR	413336-1R
		DC189ATY (c)(e)	180	100/200	14.8	0.946	DPG	D1803R	5,275	N2	130	T18R1118	STR	413336-1R
		DC189ATCZ (d)(e)	180	100/200	14.8	0.946	DPG	CDD1803R	5,275	N2	160	T18R1120	STR	413336-1R
5	1750	DC1810ATCZ (d)(e)	180	100/200	24	1.67	DPG	CD1805R	6,345	N2	175	T18R1105	STR	413336-1R
		DC2112ATCZ (d)	180	100/200	23	1.3	TENV	CD2105R	12,693	N2	400	T21S1101	STR	413336-1R

**NOTE:** Encoder and tachometer kits on page 317.

(a) Field amps at 25°C

(b) Field amps for high voltage connection

(c) 140TC C-face

(d) 180TC C-face

(e) Top mounted conduit box, if blower added, blower must be mounted F-1 or F-2.

### RPM III DC Shunt Wound SCR Drive Motors, 240V Armature 240V Field, Power Code C



3 thru 10 Hp

NEMA 1811ATCZ thru 2113ATCZ

**Applications:** Textile range drives, roofing machines, tube mills, and similar applications.

**Features:** Range drive motors have matched IR drops within approximately 5 volts and good regulation characteristics out to the maximum field weakened speed of 2300 rpm. Capable of operation at 25% base speed with 67% armature current and motor field pre-weakened to 2100 rpm. Specially designed for use on multi-motor drives operating on a common voltage power supply such as textile range drives, roofing machines, tube mills, etc. F-1 mounting. Tach adaptable with thermostat.

Hp	Base Speed	NEMA Frame	Voltage D.C.		Full Load Amperage		Enclosure	Catalog Number	List Price	Mult. Sym.	Ap'x. Shpg. Wgt.	Reliance M/N	Field Type	XPY Tach Kit
			Arm.	Field	Arm.	Field (a)								
3	1750/2300	C1811ATCZ (b)	240	240	11	0.994	SPG	CD2003R-2	9,665	N2	180	T18R1009	STAB	413336-1R
5	1750/2300	C1811ATCZ (b)	240	240	18.1	1.11	SPG	CD2005R-2	9,665	N2	180	T18R1010	STAB	413336-1R
7.5	1750/2300	C1812ATCZ (b)	240	240	27	1.4	SPG	CD2007R-2	10,517	N2	215	T18R1011	STAB	413336-1R
10	1750/2300	SC2113ATCZ (c)	240	240	37	2.18	SPG	D2010R-2	14,551	N2	360	T21S1001	STAB	417708-21

**NOTE:** Encoder and tachometer kits on page 317.

(a) Field amps at 25°C

(b) 180TC C-face

(c) 210TC C-face

Farm Duty Motors

Definite Purpose Motors

Unit Handling Motors

Brake Motors

200 & 575 Volt Motors

IEC Frame Motors

50 Hertz Motors

Inverter/Vector Motors & Controls

DC Motors and Controls

Soft Starters & Dynamic Brakes

### RPM III DC Shunt Wound SCR Drive TEFC Motors, 240V & 500V Armature, Power Code C

5 thru 50 Hp

NEMA 1812ATZ thru 3212ATZ

**Applications:** Metals, paper, web processes, extruders, cranes, conveyors, packaging, printing, machine tools.

**Features:** Unique laminated square frame for improved commutation on rectified power supplies. The square configuration allows for increased rating per frame size. Class F rated insulation system. Service Line brushes with convenient wear indicating reference lines. PLS™ (Positive Lubrication System) for longer bearing and motor life. F-1 mounting unless otherwise specified. Tach adaptable with thermostat.



Hp	Base/Max Speed	NEMA Frame	Voltage D.C.		Full Load Amperage		Catalog Number	List Price	Mult. Sym.	Ap'x. Shpg. Wgt.	Notes	Reliance M/N	Field Type	XPY Tach Kit
			Arm.	Field	Arm.	Field (a)(b)								
5	1750/2300	C1812ATZ	240	150	18.5	1.79	D2505R	11,424	N2	235	87	T18R1005 (d)	STAB	417709-17
		SC2113ATZ	500	150/300	9	1.05	D5505R	13,372	N2	345	87	T21S201 (c)	STAB	417708.21
7.5	1750/2300	SC2113ATZ	240	150	27	3.26	D2507R	14,898	N2	380	87	T21S301	STAB	417709-65
		MC2113ATZ	500	150/300	13.5	1.41	D5507R	14,898	N2	375	87	T21S302 (d)	STAB	417709-65
10	1750/2300	MC2113ATZ	240	150	35.5	3.13	D2510R	16,436	N2	380	87	T21S303	STAB	417709-65
		MC2113ATZ	500	150/300	17.5	1.55	D5510R	16,436	N2	290	87	T21S304	STAB	417709-65
15	1750/2300	SC2512ATZ	240	150	53.5	2.17	D2515R	24,640	N2	555	6.87	T25S301	STAB	417709-66
		SC2512ATZ	500	150/300	25.6	1.71	D5515R	24,640	N2	555	87	T25S302	STAB	417709-66
20	1750/2300	LC2512ATZ	240	150	71	4.14	D2520R	26,606	N2	630	87	T25S303	STAB	417709-66
		LC2512ATZ	500	150/300	33	2.05	D5520R	26,606	N2	630	87	T25S304	STAB	417709-66
25	1750/2300	MC2812ATZ	240	150	87	4.05	D2525R	37,753	N2	825	87	T28S301	STAB	417709-67
		MC2812ATZ	500	150/300	41	2.23	D5525R	37,753	N2	825	86,87	T28S302	STAB	417709-67
30	1750/2300	LC2812ATZ	500	150/300	50	1.75	D5530R	41,979	N2	900	87	T28S303	STAB	417709-67
40	1750/2300	MC3212ATZ	500	150/300	65	1.82	D5540R	57,160	N2	1150	87	T32S301	STAB	417709-68
50	1750/2300	LC3212ATZ	500	150/300	84	1.97	D5550R	60,424	N2	1325	87	T32S302	STAB	417709-68

**NOTE:** Encoder and tachometer kits on page 317.

- (a) Field amps at 25°C
- (b) Field amps for high voltage connection
- (c) TENV enclosure
- (d) Power Code D

### RPM III Wound Field SCR 10 thru 500 Hp

### NEMA 2113ATZ thru 4414ATZ

**Drive DPG-FV Motors,  
240V & 500V Armature,  
Power Code C**

**Applications:** Metals, printing, extruders, cranes, conveyors, machine tools

**Features:** Laminated square frame for improved commutation. Tach adaptable with thermostat. F1 mount unless otherwise specified.

Hp	Base/Max Speed	NEMA Frame	Voltage D.C.		Full Load Amperage		Catalog Number	List Price	Mult. Sym.	Ap'x. Shpg. Wgt.	Notes	Reliance M/N	Field Type	XPY Tach Kit
			Arm.	Field	Arm.	Field (a)								
10	1750/2300	SC2113ATZ	500	300	18	1.11	D5010RS-BV	16,710	N2	415 (c)	91,92	T21T1342	STAB	417708-21
15	1750/2300	SC2113ATZ	240	150	56	4.73	D2015R-BV	14,459	N2	385 (d)	93	T21T1359	STR	417708-21
		SC2113ATCZ	240	150	56	4.73	CD2015R-BV	14,980	N2	385 (b)	93	T21T1384	STR	417708-21
		SC2113ATZ	500	300	27	2.22	D5015R-BV	14,459	N2	345	93	T21T1364	STR	417708-21
		SC2113ATZ	500	300	27	3.03	D5015RS-BV	16,710	N2	345 (c)	91,92	T21T1346	STAB	417708-21
20	1750/2300	SC2113ATZ	240	150	76.5	7.12	D2020R-BV	14,459	N2	400 (d)	93	T21T1363	STR	417708-21
		SC2113ATZ	500	300	37	3.03	D5020R-BV	14,459	N2	395	93	T21T1350	STR	417708-21
		MC2113ATZ	500	300	37	2.23	D5020RS-BV	18,248	N2	440 (c)	91,92	T21T1344	STAB	417708-21
25	1750/2300	MC2113ATZ	240	150	96	8.43	D2025R-BV	15,997	N2	425 (d)	93	T21T1371	STR	417708-21
		MC2113ATZ	500	300	46	3.33	D5025R-BV	15,997	N2	370	6,94	T21T1351	STR	417708-21
		LC2113ATZ	500	300	43	3.08	D5025RS-BV	19,635	N2	470 (c)	91,92	T21T1345	STAB	417708-21
30	1750/2300	LC2113ATZ	240	150	109	10	D2030R-BV	17,384	N2	400	93	T21T1375	STR	417708-21
		LC2113ATZ	500	300	52	3.3	D5030R-BV	17,384	N2	450	93	T21T1352	STR	417708-21
	1750/2300	SC2512ATZ	500	300	51	2.84	D5030RS-BV	26,732	N2	565 (c)	91,92	T25T1342	STAB	417708-21
40	1150/1800	LC2115ATZ	500	300	54	3.94	D5130R-BV	23,220	N2	550	94	T21T1378	STR	417708-21
	1750/2300	LC2115ATZ	240	150	146	5.63	D2040R-BV	23,220	N2	480	6,93	T21T1380	STR	417708-21
	1750/2100	MC2115ATZ	500	300	69	4.48	D5040R-BV	20,683	N2	425	93	T21T2353	STR	417708-21
	1150/2000	MC2512ATZ	500	300	68.5	2.88	D5040RS-BV	27,718	N2	570 (c)	6,91,92	T25T1344	STAB	417708-21
50	1750/2100	LC2512ATZ	500	300	72	5.27	D5140R-BV	26,167	N2	650	94	T25T1355	STR	417708-21
		LC2512ATZ	500	300	87	3.94	D5050R-BV	23,220	N2	530	93	T21T2354	STR	417708-21
		LC2512ATZ	500	300	84	3.38	D5050RS-BV	28,698	N2	610 (c)	6,91,92	T25T1339	STAB	417708-21
1150/1900	C2514ATZ	500	300	87	4.06	D5150R-BV	30,248	N2	735	6,94	T25T1359	STR	417708-21	
60	1750/2100	LC2512ATZ	500	300	102	4.6	D5060R-BV	26,167	N2	650	93	T25T2348	STR	417708-21
		MC2812ATZ	500	300	100	3.43	D5060RS-BV	39,845	N2	810 (c)	6,91,92	T28T1330	STAB	417708-26
	1150/1900	C2515ATZ	500	300	102	5.17	D5160R-BV	34,930	N2	870	6,93	T25T1364	STR	417708-21
75	1750/2100	C2514ATZ	500	300	124	6.21	D5075R-BV	30,248	N2	695	93	T25T2349	STR	417708-21
		LC2812ATZ	500	300	124	3.62	D5075RS-BV	44,071	N2	930 (c)	6,91,92	T28T1327	STAB	417708-26
	1150/2000	C2815ATZ	500	300	125	4.14	D5175R-BV	49,710	N2	1190	6,93	T28T1342	STR	417708-26
100	1750/2000	C2515ATZ	500	300	167	6.7	D50100R-BV	34,930	N2	870	93	T25T2350	STR	417708-21
	1750/2100	MC3212ATZ	500	300	162	3.33	D50100RS-BV	59,314	N2	1210 (c)	6,91,92	T32T1314	STAB	417708-26
	1150/1850	C2815ATZ	500	300	168	4.14	D51100R-BV	49,710	N2	1240	6,94	T28T1344	STR	417708-26
125	1750/2000	C2813ATZ	500	300	204	6.93	D50125R-BV	43,557	N2	940	6,93	T28T1333	STR	417708-26
		UC2813ATZ	500	300	204	6.93	D50125UR-BV	44,635	N2	945	5,6,93	T28T1349	STR	417708-26
	1750/2000	LC3212ATZ	500	300	203	4.4	D50125RS-BV	62,683	N2	1290 (c)	6,91,92	T32T1318	STAB	417708-26
	1150/2000	UC3214ATZ	500	300	204	8.36	D51125RR-BV	64,222	N2	1475	5,6,93	T32T1327	STR	417708-26
150	1750/2000	C2815ATZ	500	300	245	9.45	D50150R-BV	49,710	N2	1125	6,93	T28T1334	STR	417708-26
		UC2815ATZ	500	300	245	9.45	D50150UR-BV	50,787	N2	1255	5,6,93	T28T1350	STR	417708-26
	1750/2100	MC3612ATZ	500	300	240	4.8	D50150RS-BV	77,708	N2	1685 (c)	6,95	T36S1313	STAB	417708-26
1150/2000	ULC3612ATZ	500	300	249	7.29	D51150RR-BV	78,571	N2	1860	5,6,94	T36S1323	STR	417708-26	
200	1750/2100	UC3214ATZ	500	300	322	8.36	D50200RR-BV	64,222	N2	1585	5,6,93	T32T1322	STR	417708-26
		LC3612ATZ	500	300	321	5.41	D50200RS-BV	80,016	N2	1850 (c)	6,95	T36S1314	STAB	417708-26
250	1150/2000	C3613ATZ	500	300	323	10.7	D51200R-BV	92,934	N2	2010	6,94	T36S1325	STR	417708-26
		ULC3612ATZ	500	300	405	8.87	D50250RR-BV	78,571	N2	1890	5,6,94	T36S1318	STR	417708-26
		C4011ATZ	500	300	400	6.63	D50250RS-BV	108,706	N2	2500 (c)	6,95	T40S1306	STAB	417708-26
300	1150/2000	MC4013ATZ	500	300	406	10.7	D51250R-BV	127,043	N2	2800	6,94	T40S1317	STR	417708-26
	1750/2000	LC3613ATZ	500	300	478	12.5	D50300R-BV	99,404	N2	2010	6,94	T36S1319	STR	417708-26
	1750/2100	MC4013ATZ	500	300	478	6.5	D50300RS-BV	131,390	N2	2800 (c)	6,95	T40S1309	STAB	417708-26
400	1150/2000	LC4013ATZ	500	300	485	13.2	D51300R-BV	142,529	N2	3100	6,94	T40S1320	STR	417708-26
		MC4013ATZ	500	300	643	11.9	D50400R-BV	127,043	N2	2800	6,94	T40S1314	STR	417708-26
		LC4013ATZ	500	300	635	7.97	D50400RS-BV	146,876	N2	3100 (c)	6,95	T40S1311	STAB	417708-26
500	1150/1600	C4413ATZ	500	300	644	13	D51400R-BV	176,193	N2	3830	6,91,94	T44T1304	STR	417708-156
	1750/2050	C4412ATZ	500	300	797	10.8	D50500R-BV	171,511	N2	3480	6,91,94	T44T1305	STR	417708-156
1150/1450	C4414ATZ	500	300	805	12.3	D51500R-BV	180,069	N2	4560	6,91,94	T44T1306	STR	417708-156	

**NOTE:** Encoder and tachometer kits on page 317.

(a) Field amps at 25°C  
(b) 210TC C-Face

(c) Extruder duty enclosed commutator design  
(d) Power Code D

Farm Duty Motors

Definite Purpose Motors

Unit Handling Motors

Brake Motors

200 & 575 Volt Motors

IEC Frame Motors

50 Hertz Motors

Inverter/Vector Motors & Controls

DC Motors and Controls

Soft Starters & Dynamic Brakes

### RPM III Wound Field SCR Drive DPG Motors, 240V & 500V Armature Power Code C

3 thru 60 Hp

NEMA 189ATCZ thru 2812ATZ

**Applications:** Metals, paper, web processes, extruders, cranes, conveyors, packaging, printing, machine tools.

**Features:** Unique laminated square frame for improved commutation on rectified power supplies. The square configuration allows for increased rating per frame size. High limit thermostat. Provision for adding adapter mounted feedback device. Class F rated insulation system. Service Line brushes with convenient wear indicating reference lines. PLS™ (Positive Lubrication System) for longer bearing and motor life. F-1 mounting unless otherwise specified.



Hp	Base/Max Speed	NEMA Frame	Voltage D.C.		Full Load Amperage		Catalog Number	List Price	Mult. Sym.	Ap'x. Shpg. Wgt.	Notes	Reliance M/N	Field Type	XPY Tach Kit
			Arm.	Field	Arm.	Field(a)(b)								
3	1750/2300	DC189ATCZ (c)(e)	240	150	11	1.52	D2003R	5,616	N2	130	80,83	T18R1127	STAB	413336-1R
		C1811ATZ	500	300	5.2	0.741	D5003R	8,704	N2	197	80	T18R1333 (d)	STR	413336-1R
5	1750/2300	C1811ATZ	240	150	19.2	1.77	D2005R	9,046	N2	194	80,83	T18R1318 (d)	STAB	413336-1R
		C1811ATZ	500	300	9	1	D5005R	8,704	N2	175	80	T18R1334 (d)	STR	413336-1R
7.5	1750/2300	C1811ATZ	240	150	28	1.95	D2007R	9,046	N2	197	80,83	T18R1301 (d)	STAB	413336-1R
		C1811ATZ	500	300	13.5	1.29	D5007R	8,704	N2	210	80	T18R1335 (d)	STR	413336-1R
10	1750/2300	C1812ATZ	240	150	37	2.12	D2010R	9,899	N2	225	80,84	T18R1302 (d)	STAB	413336-1R
		C1812ATZ	500	300	17.4	1.08	D5010R	9,899	N2	235	80,85	T18R1307 (d)	STAB	413336-1R
15	1750/2300	SC2113ATZ	240	150	56	4.12	D2015R	13,372	N2	315	87	T21S1330	STAB	417708-21
		SC2113ATZ	500	150/300	27	1.76	D5015R	13,372	N2	315	87	T21S1322	STAB	417708-21
20	1750/2300	LC2113ATZ	240	150	74	4.24	D2020R	16,297	N2	370	87	T21S1331	STAB	417708-21
		MC2113ATZ	500	150/300	35	1.98	D5020R	14,911	N2	375	87	T21S1323	STAB	417708-21
25	1750/2300	LC2113ATZ	240	150	91.5	5.82	D2025R	16,297	N2	410	87	T21S1332	STAB	417708-21
		LC2113ATZ	500	150/300	43	2.61	D5025R	16,297	N2	415	87	T21S1324	STAB	417708-21
30	1750/2300	SC2512ATZ	240	150	111	3.45	D2030R	23,114	N2	505	87	T25S1330	STAB	417708-21
		SC2512ATZ	500	150/300	52	1.71	D5030R	23,114	N2	505	87	T25S1322	STAB	417708-21
40	1750/2100	LC2512ATZ	500	150/300	68	2.4	D5040R	25,080	N2	580	6,87	T25S1323	STAB	417708-21
50	1750/2100	MC2812ATZ	500	150/300	85	2.01	D5050R	35,888	N2	775	6,87	T28S1313	STAB	417708-26
60	1750/2100	LC2812ATZ	500	300	100	2.77	D5060R	40,114	N2	850	6,87	T28S1314	STAB	417708-26

**NOTE:** Encoder and tachometer kits on page 317.

- (a) Field amps at 25°C
- (b) Field amps for high voltage connection
- (c) 180 TC C-face
- (e) Top mounted conduit box, if blower added, blower must be mounted F-1 or F-2
- (d) Power Code D

### RPM III DC Motor Encoder and Tachometer Kits

**Applications:** Encoder and Tachometer Kits for Field Installation

**Features:** Kits include the encoder or tachometer and all mounting hardware required for installation on RPM III DC Motors.

Device Type	Output	Catalog Number	Frames	Enclosure	List Price	Mult. Sym.	Ap'x. Shpg. Wgt.
RD120-1	1 x 120 ppr	417708-30	DC180, C180, DC2112	DPG, DPV, TENV	3,072	E8	5
		417708-32	C210-C250	DPG, DPV, TENV	3,072	E8	5
		417708-33	C280-C400	DPG, DPV, TENV	3,072	E8	5
		417708-153	C440	DPG, DPV, TENV	3,072	E8	5
RD120-2	2 x 120 ppr	417708-34	DC180, C180, DC2112	DPG, DPV, TENV	3,655	E8	5
		417708-36	C210-C250	DPG, DPV, TENV	3,655	E8	5
		417708-37	C280-C400	DPG, DPV, TENV	3,655	E8	5
		417708-154	C440	DPG, DPV, TENV	3,655	E8	5
H20	1024 ppr	417708-133	DC180, C180, DC2112	DPG, DPV, TENV	3,919	E8	5
		417708-134	C210-C250	DPG, DPV, TENV	3,919	E8	5
		417708-135	C280-C400	DPG, DPV, TENV	3,919	E8	5
		417708-151	C440	DPG, DPV, TENV	3,919	E8	5
RL67	1024z ppr	417708-126	DC180, C180, DC2112	DPG, DPV, TENV	4,979	E8	4
		417708-136	C210-C250	DPG, DPV, TENV	4,979	E8	6
		417708-137	C280-C400	DPG, DPV, TENV	4,979	E8	6
		417708-138	C440	DPG, DPV, TENV	4,979	E8	4
RE045	45 VAC/ 1000 RPM	413327-W	DC180, C180, DC2112	DPG, DPV, TENV	4,067	N5	8
		417708-20	C210-C250	DPG, DPV, TENV	4,067	N5	11
		417708-25	C280-C400	DPG, DPV, TENV	4,067	N5	11
		417708-152	C440	DPG, DPV, TENV	4,067	N5	13

### Encoder and Tachometer Mounting Kits (less tach)

**Applications:** Encoder and Tachometer mounting kits for field installation

**Features:** Kits include all mounting hardware required for installation on RPM III DC motors. Feedback device not included.

Device Type	Catalog Number	Frames	Enclosure	List Price	Mult. Sym.	Ap'x. Shpg. Wgt.
XC42, XC46, BC42, BC46, H56, 800123-R & -S	413336-2R	DC180, C180, DC2112	DPG, DPV, TENV	1,475	A8	9
	417708-22	C210-C250	DPG, DPV, TENV	1,475	A8	9
	417708-27	C280-C400	DPG, DPV, TENV	1,475	A8	9
	417708-155	C440	DPG, DPV, TENV	1,475	A8	9
	417709-21	C180	TEFC	3,708	A8	19
	417709-58	C210	TEFC	3,708	A8	20
	417709-59	C250	TEFC	3,708	A8	23
	417709-60	C280	TEFC	3,708	A8	23
	417709-61	C320	TEFC	3,708	A8	29
XPY, XPYII, 5PY, RPY444	413336-1R	DC180, C180, DC2112	DPG, DPV, TENV	1,475	A8	7
	417708-21	C210-C250	DPG, DPV, TENV	1,475	A8	7
	417708-26	C280-C400	DPG, DPV, TENV	1,475	A8	7
	417708-156	C440	DPG, DPV, TENV	1,475	A8	8
	417709-17	C180	TEFC	3,708	A8	6
	417709-65	C210	TEFC	3,708	A8	6
	417709-66	C250	TEFC	3,708	A8	9
	417709-67	C280	TEFC	3,708	A8	15
417709-68	C320	TEFC	3,708	A8	18	
RL67	417708-40	DC180, C180, DC2112	DPG, DPV, TENV	953	A8	1
	417708-41	C210 - C250	DPG, DPV, TENV	953	A8	2
	417708-42	C280 - C400	DPG, DPV, TENV	953	A8	1
	417708-157	C440	DPG, DPV, TENV	953	A8	1

Farm Duty  
Motors

Definite Purpose  
Motors

Unit Handling  
Motors

Brake Motors

200 & 575 Volt  
Motors

IEC Frame  
Motors

50 Hertz  
Motors

Inverter/Vector  
Motors & Controls

DC Motors  
and Controls

Soft Starters &  
Dynamic Brakes



### Blower Kits for use with RPM III DC Motors Suitable for operation on 230/460V or 240/480V, 3-Phase, 50/60 Hz

Motor Frame	Catalog Number	List Price	Mult. Sym.	Ap'x. Shpg. Wgt. (lb)	Description
C180ATZ, DC180ATZ	<b>417077-51</b>	1,302	A8	44	Blower Kit Without Filter
C210ATZ	<b>419947-29</b>	1,302	A8	52	Blower Kit Without Filter
C250ATZ	<b>419947-30</b>	1,302	A8	39	Blower Kit Without Filter
C280ATZ	<b>419947-32</b>	1,592	A8	55	Blower Kit Without Filter
C320ATZ	<b>419947-34</b>	1,854	A8	81	Blower Kit Without Filter
C3612ATZ	<b>417077-74</b>	1,854	A8	55	Blower Kit Without Filter
C3613ATZ	<b>417077-127</b>	1,854	A8	75	Blower Kit Without Filter
C400ATZ	<b>417077-75</b>	2,030	A8	85	Blower Kit Without Filter
C440ATZ	<b>417077-126</b>	4,139	A8	225	Blower Kit Without Filter

### Filter Kits for use with DPG-FV, RPM III DC motors

Motor Frame	Catalog Number	List Price	Mult. Sym.	Ap'x. Shpg. Wgt. (lb)	Description
C180ATZ, DC180ATZ	<b>417077-57</b>	795	A8	2	Washable Wire Mesh Canister Type
C2113ATZ	<b>417077-58</b>	795	A8	4	Washable Wire Mesh Canister Type
C2115ATZ	<b>417077-59</b>	795	A8	4	Washable Wire Mesh Canister Type
C2512ATZ	<b>417077-58</b>	795	A8	4	Washable Wire Mesh Canister Type
C2514ATZ	<b>417077-59</b>	795	A8	4	Washable Wire Mesh Canister Type
C2515ATZ	<b>417077-59</b>	795	A8	4	Washable Wire Mesh Canister Type
C2812ATZ	<b>417077-59</b>	795	A8	4	Washable Wire Mesh Canister Type
C2813ATZ	<b>417077-59</b>	795	A8	4	Washable Wire Mesh Canister Type
C2815ATZ	<b>417077-59</b>	795	A8	4	Washable Wire Mesh Canister Type
C3210ATZ	<b>417077-59</b>	795	A8	4	Washable Wire Mesh Canister Type
C3212ATZ	<b>417077-59</b>	795	A8	4	Washable Wire Mesh Canister Type
C3214ATZ	<b>417077-59</b>	795	A8	4	Washable Wire Mesh Canister Type
C3612ATZ	<b>417077-65</b>	1,017	A8	7	Washable Wire Mesh Canister Type
C3613ATZ	<b>417077-102</b>	1,434	A8	6	Washable Wire Mesh Canister Type
C400ATZ	<b>417077-102</b>	1,434	A8	6	Washable Wire Mesh Canister Type
C440ATZ	<b>417077-124</b>	1,653	A8	18	Square Replaceable Polyester Type

### Sliding Bases for RPM III DC motors

**Applications:** Used for adjusting belt tension on belted applications. Not suitable for wall or ceiling mounting.

Motor Frame	Catalog Number	List Price	Mult. Sym.	Ap'x. Shpg. Wgt.	Description	Dimension Sheet
DC1810ATZ	<b>42384-26D</b>	278	A8	14	Standard Duty	609987-501
DC1811ATZ	<b>42384-26BE</b>	278	A8	17	Heavy Duty	609987-501
C1811ATZ	<b>42384-26BE</b>	278	A8	17	Heavy Duty	609987-1
C1812ATZ	<b>42384-26BF</b>	278	A8	17	Heavy Duty	609987-1
DC2112ATZ	<b>42384-26BH</b>	476	A8	29	Heavy Duty	609958-51
C2113ATZ	<b>419914-1A</b>	476	A8	50	Heavy Duty	609957-1
C2115ATZ	<b>419914-1P</b>	476	A8	36	Heavy Duty	609957-1
C2512ATZ	<b>419914-1B</b>	553	A8	33	Heavy Duty	609957-1
C2514ATZ	<b>419914-1R</b>	553	A8	59	Heavy Duty	609957-1
C2515ATZ	<b>419914-1S</b>	553	A8	36	Heavy Duty	609957-1
UC2812ATZ	<b>419914-1C</b>	1,068	A8	37	Heavy Duty	609957-1
UC2813ATZ	<b>419914-1T</b>	1,068	A8	26	Heavy Duty	609957-1
UC2815ATZ	<b>419914-1U</b>	1,068	A8	42	Heavy Duty	609957-1
UC3212ATZ	<b>419914-1D</b>	1,403	A8	69	Heavy Duty	609977-1
UC3214ATZ	<b>419914-1W</b>	1,403	A8	76	Heavy Duty	609977-1
UC3612ATZ	<b>419914-1E</b>	1,892	A8	76	Heavy Duty	609977-1
UC3613ATZ	<b>419914-1X</b>	1,892	A8	81	Heavy Duty	609977-1



### SCR Drive Motors Shunt 5 thru 250 Hp and Stabilized Shunt Wound - DPGF, Self Ventilated, Rigid Base

### NEMA L186AT thru 506AT

**Applications:** Conveyors, plastic extruders, packaging machinery and other constant torque applications for DC SCR motors.

**Features:** Includes thermostat on interpole. Class F insulation system resistant to dirt, carbon, dust and moisture. High dielectric stability. Low moment of inertia armature for fast response. Constant pressure brush springs and longer brushes for reduced maintenance. Includes grease fittings and reliefs for bearing maintenance. Power code C and D or M-G sets. Maximum RPM by field weakening. Provisions for tach mounting. (See tach mounting kits on page 322). May be converted to blower ventilated (DPBV) for extended constant torque speed range.



Hp	Base/Max Speed <sup>(a)</sup>	NEMA Frame	Voltage D.C.		Full Load Amperage		Catalog Number	List Price Motors Only <sup>(c)</sup>	Mult. Sym.	Ap'x. Shpg. Wgt. <sup>(d)</sup>	XPY Tach Kit	Blower Catalog Number	Notes <sup>(e)</sup>
			Arm.	Field	Arm.	Field <sup>(b)</sup>							
5	1750/2300	L186AT	240	150/300	17.7	.68	<b>D2005P</b>	5,451	N2	178	TKP1836XP	FVB3180	2,20
			500	150/300	8.5	.6	<b>D5005P</b>	5,451	N2	162	TKP1836XP	FVB3180	2,20
7 1/2	1750/2300	1810AT	240	150/300	28.1	.8	<b>D2007P</b>	6,338	N2	239	TKP1836XP	FVB3180	2,20
		218AT	500	150/300	13.2	.69	<b>D5007P</b>	6,994	N2	239	TKP1836XP	FVB3210	2,20
10	1750/2300	219AT	240	150/300	36.6	2.16	<b>D2010P</b>	7,194	N2	259	TKP1836XP	FVB3210	2,20
			500	150/300	17.2	1.17	<b>D5010P</b>	7,194	N2	255	TKP1836XP	FVB3210	2,20
15	1750/2300	258AT	240	150/300	55	2.58	<b>D2015P</b>	8,612	N2	379	TKP1836XP	FVB3250	2,20
			500	150/300	25.2	1.4	<b>D5015P</b>	8,612	N2	379	TKP1836XP	FVB3250	2,20
20	1750/2300	259AT	240	150/300	70.5	2.48	<b>D2020P</b>	9,845	N2	429	TKP1836XP	FVB3250	2,20
			500	150/300	35.1	1.24	<b>D5020P</b>	9,845	N2	429	TKP1836XP	FVB3250	2,20
25	1750/2300	288AT	240	150/300	89.2	2.99	<b>D2025P</b>	13,306	N2	589	TKP1836XP	FVB4280	2,20
		287-8AT	500	150/300	43.4	1.64	<b>D5025P</b>	13,306	N2	529	TKP1836XP	FVB4280	2,20
30	1750/2300	288AT	240	150/300	106	4.52	<b>D2030P</b>	13,306	N2	589	TKP1836XP	FVB4280	2,20
			500	150/300	50	2	<b>D5030P</b>	13,306	N2	579	TKP1836XP	FVB4280	2,20
40	1750/2100	328AT	500	150/300	67.9	2.17	<b>D5040P</b>	17,810	N2	819	TKP1836XP	FVB6320	2,20
50	1750/2100	328AT	500	150/300	83.7	2	<b>D5050P</b>	17,810	N2	822	TKP1836XP	FVB6320	2,20
60	1750/2100	365-6AT	500	150/300	98.6	1.75	<b>D5060P</b>	23,880	N2	815	TKP1836XP	FVB6400	2,20
75	1750/2100	366AT	500	150/300	123	1.48	<b>D5075P</b>	23,880	N2	959	TKP1836XP	FVB6400	2,20
100	1750/2000	368AT	500	150/300	158	3	<b>D50100P</b>	32,207	N2	1129	TKP1836XP	FVB6400	2,20
125	1750/2000	407AT	500	150/300	200	3	<b>D50125P</b>	37,042	N2	1459	TKP400XP	FVB6400	2,20
150	1750/2000	409AT	500	150/300	237	3.7	<b>D50150P</b>	46,185	N2	1139	TKP400XP	FVB6400	2,20
200	1750/1900	504AT	500	150/300	320	3.9	<b>D50200P</b>	57,625	N2	2149	TKP500XP	FVB8500	2,20
250	1750/1900	506AT	500	150/300	392	5	<b>D50250P</b>	69,054	N2	2569	TKP500XP	FVB8500	2,20

**NOTES:**

- (a) DPGF enclosure is self-ventilated. Speed can be reduced to approximately 60% of base speed with constant torque. See performance data in CA608 catalog for specific speed-torque curves. Separate blower can be used to increase operating range below 60% of base speed.
- (b) Field amps are for 150V connection on 240VDC motors; 300V connection on 500VDC motors. 360, 400 & 500 frames are 4 pole stabilized shunt until 3rd quarter 2006 when they became shunt. Others are 2 pole shunt.
- (c) Does not include price of blower. See page 322 for pricing.
- (d) Does not include weight of blower. See page 322 for weights.
- (e) See notes on inside back flap.

180 frame motors are supplied without external conduit box, see online layout drawing for details.

Farm Duty Motors

Definite Purpose Motors

Unit Handling Motors

Brake Motors

200 & 575 Volt Motors

IEC Frame Motors

50 Hertz Motors

Inverter/Vector Motors & Controls

DC Motors and Controls

Soft Starters & Dynamic Brakes

### SCR Drive Motor Shunt and Stabilized Shunt Wound DPBV Enclosure - Rigid Base

40 thru 500 Hp

NEMA 328AT thru 5010AT

**Applications:** Conveyors, plastic extruders, packaging machinery and other constant torque applications for DC SCR motors.

**Features:** Includes thermostat on interpole. Class F insulation system resistant to dirt, carbon, dust and moisture. High dielectric stability. Low moment of inertia armature for fast response. Constant pressure brush springs and longer brushes for reduced maintenance. Includes grease fittings and reliefs for bearing maintenance. Power code C or M-G sets. Maximum RPM by field weakening. Provisions for tach mounting. (See tach kits on page 322). Blower-ventilated, includes filter.



Hp	Base/Max Speed	NEMA Frame	Voltage D.C.		Full Load Amperage		Catalog Number	List Price w/Blower & Filter	Mult. Sym.	Ap'x. Shpg. Wgt.	XPY Tach Kit	Notes (b)
			Arm.	Field	Arm.	Field (a)						
40	1750/2100	328AT	240	150/300	138	2.64	D2040P-BV	20,754	N2	889	TKP1836XP	2,20
			500	150/300	67.9	2.17	D5040P-BV	20,754	N2	871	TKP1836XP	2,20
50	1750/2100	328AT	240	150/300	175	2.64	D2050P-BV	20,754	N2	898	TKP1836XP	2,20
			500	150/300	83.7	2	D5050P-BV	20,754	N2	899	TKP1836XP	2,20
60	1750/2100	366AT	240	150/300	201	5.6	D2060P-BV	26,825	N2	996	TKP1836XP	2,20
		365-6AT	500	150/300	98.6	1.75	D5060P-BV	26,825	N2	869	TKP1836XP	2,20
75	1750/2100	366AT	240	150/300	256	5.6	D2075P-BV	26,825	N2	1015	TKP1836XP	2,20
			500	150/300	123	1.48	D5075P-BV	26,825	N2	999	TKP1836XP	2,20
100	1750/2000	368AT	500	150/300	158	3	D50100P-BV	35,152	N2	1179	TKP1836XP	2,20
125	1750/2000	368AT	500	150/300	197	3	D50125P-BV	35,152	N2	1189	TKP1836XP	2,20
150	1750/2000	407-9AT	500	150/300	238	2.7	D50150P-BV	40,284	N2	1519	TKP400XP	2,20
200	1750/1900	409AT	500	150/300	311	3.75	D50200P-BV	50,180	N2	1809	TKP400XP	2,20
250	1750/1900	504-6AT	500	150/300	405	4.9	D50250P-BV	61,431	N2	2289	TKP500XP	2,20
300	1750	506AT	500	150/300	478	6.2	D50300P-BV	72,860	N2	2659	TKP500XP	2,20
400	1750/1900	508AT	500	150/300	624	6.08	D50400P-BV	102,851	N2	3289	TKP5006XP	2,20
500	1750/1900	5010AT	500	150/300	788	6	D50500P-BV	135,069	N2	4169	TKP500XP	2,20

**NOTE:** (a) Field amps are for 150V connection on 240VDC motors; 300V connection on 500VDC motors.

360 through 500 frames are 4 pole stabilized shunt, until 3rd quarter 2006 when they became shunt. Others are 2 pole shunt. Tach mounting kits on page 322.

(b) See notes on inside back flap.

### SCR Drive Motor 240V Armature - 240V Field Shunt Wound DPFG - Self-Ventilated Rigid Base and C-Face

3 thru 15 Hp

NEMA L186ATC thru 258ATC

**Applications:** Conveyors, plastic extruders, packaging machinery and other constant torque applications for DC SCR motors.

**Features:** Includes thermostat on interpole. Class F insulation system resistant to dirt, carbon, dust and moisture. High dielectric stability. Low moment of inertia armature for fast response. Constant pressure brush springs and longer brushes for reduced maintenance. Includes grease fittings and reliefs for bearing maintenance. Power code C or M-G sets. Maximum RPM by field weakening.



Hp	Base/Max Speed	NEMA Frame	Voltage D.C.		Full Load Amperage		Catalog Number	List Price Motor (b)	Mult. Sym.	Ap'x. Shpg. Wgt. (c)	XPY Tach Kit	Blower Catalog Number	Notes (d)
			Arm.	Field	Arm.	Field (a)							
3	1750/2300	L186ATC	240	120/240	10.6	.45	CD2003P-2	5,635	N2	170	TKP1836XP	FVB3180	1, 3
5	1750/2300	L186ATC	240	120/240	17.7	.45	CD2005P-2	5,635	N2	170	TKP1836XP	FVB3180	1, 3
7 1/2	1750/2300	1810ATC	240	120/240	28.1	.52	CD2007P-2	6,522	N2	233	TKP1836XP	FVB3180	1, 3
10	1750/2300	219ATC	240	120/240	36.6	1.26	CD2010P-2	7,715	N2	267	TKP1836XP	FVB3210	1, 3
15	1750/2300	258ATC	240	120/240	55	1.26	CD2015P-2	9,133	N2	409	TKP1836XP	FVB3250	1, 3

**NOTE:** (a) Field amps for 240VDC connection. (b) Does not include price of blower and filter. See page 322 for pricing.

(c) Does not include weight of blower and filter. See page 322 for weights. Tach mounting kits on page 322.

(d) See notes on inside back flap. 180 frame motors are supplied without external conduit box, see online layout drawing for details.

### Shunt Wound SCR Drive Motor - TEFC, Rigid Base

5 thru 25 Hp

NEMA 1810AT THRU 328AT

**Applications:** Conveyors and packaging machinery.

**Features:** Includes thermostat on interpole, grease fittings and reliefs. Class F insulation system. Constant pressure brush springs and precision brush holders. Provisions for tach mounting ( See tach mounting kits page 322).



Hp	Base/Max Speed	NEMA Frame	Voltage D.C.		Full Load Amperage		Catalog Number	List Price Motors Only	Mult. Sym.	Ap'x. Shpg. Wgt.	XPY Tach Kit	Notes (b)
			Arm.	Field	Arm.	Field (a)						
5	1750/2300	1810AT	240	150/300	17.6	0.68	D2505P	7,863	N2	379	N/A	1, 3
			500	150/300	8.3	0.34	D5505P	7,863	N2	229	N/A	1, 3
7 1/2	1750/2300	2110AT	240	150/300	26.6	2.10	D2507P	9,152	N2	319	TKP2136XPT	1, 3
			500	150/300	12.3	1.05	D5507P	9,152	N2	319	TKP2136XPT	1, 3
10	1750/2300	259AT	240	150/300	34.3	1.72	D2510P	11,371	N2	459	TKP2136XPT	1, 3
			500	150/300	16.3	0.86	D5510P	11,371	N2	459	TKP2136XPT	1, 3
15	1750/2300	288AT	240	150/300	51.7	1.96	D2515P	15,173	N2	629	TKP2136XPT	1, 3
			500	150/300	24.5	0.99	D5515P	15,173	N2	629	TKP2136XPT	1, 3
20	1750/2300	328AT	240	150/300	68.8	2.22	D2520P	19,984	N2	879	TKP2136XPT	1, 3
			500	150/300	32.7	1.11	D5520P	19,984	N2	867	TKP2136XPT	1, 3
25	1750/2300	328AT	240	150/300	84.8	2.22	D2525P	19,984	N2	872	TKP2136XPT	1, 3
			500	150/300	40.9	1.11	D5525P	19,984	N2	870	TKP2136XPT	1, 3

**NOTE:** (a) Field amps are for 150V connection on 240VDC motors; 300V connection on 500VDC motors. Tach mounting kits on page 322.

(b) See notes on inside back flap.

180 frame motors are supplied without external conduit box, see online layout drawing for details.

### Lifting Magnet Generators

5 thru 40 kW

NEMA 1810AT thru 329AT

**Applications:** Crane mounted lifting magnets for recyclers and steel mills.

**Features:** Heavy duty steel frame. Cast iron endplates. Class H insulation with Class F temperature rise. Precision brush holders. Constant force brush springs. Double sealed ball bearings. Compound wound with drooping voltage characteristics. DPGF enclosure. Weather resistant paint. F-2 conduit box. CDMG generators have C-face and base mounting for hydraulic pump or PTO mounting.



kW	Base Speed	NEMA Frame	Voltage D.C.		Full Load Amperage		Catalog Number	List Price	Mult. Sym.	Ap'x. Shpg. Wgt.	Field Control Rheostat		Notes (a)
			Arm.	Field	Arm.	Field					Ohms	Amp Max.	
5	2500	1810AT	230	230	21.7	0.61	DMG2305	6,568	N2	220	300	0.85	1, 3
7 1/2	2500	219AT	230	230	32.6	1.14	DMG2307	7,556	N2	262	150	1.6	1, 3
		219ATC	230	230	43.5	0.72	DMG2310	8,374	N2	246	200	1.4	1, 3
10	2500	219ATC	230	230	43.5	0.72	CDMG2310	8,899	N2	250	200	1.4	1, 3
		259AT	230	230	65	1.3	DMG2315	14,058	N2	429	200	1.82	1, 3
15	1750	259ATC	230	230	65	1.3	CDMG2315	14,571	N2	459	200	1.82	1, 3
		288AT	230	230	87	1.8	DMG2320	15,390	N2	589	125	2.52	1, 3
20	1750	288ATC	230	230	87	1.8	CDMG2320	16,266	N2	609	125	2.52	1, 3
		328AT	230	230	109	2.13	DMG2325	16,828	N2	849	100	3.0	1, 3
25	1750	328ATC	230	230	109	2.13	CDMG2325	17,698	N2	878	100	3.0	1, 3
		328AT	230	230	144	2.13	DMG2333	21,340	N2	831	100	3.0	1, 3
33	1750	328ATC	230	230	144	2.13	CDMG2333	22,203	N2	883	100	3.0	1, 3
		329AT	230	230	174	3.7	DMG2340	23,393	N2	910	50	5.2	1, 3

**NOTE:** Field control rheostat and meters are not included in price or available from Baldor.

(a) See notes on inside back flap.

### Tach Mounting Kits and Cooling Blowers for DC Integral Hp Motors



**Applications:** Allows addition of DC, AC and digital tachometers to large DC motors for closed-loop operation.

**Features:** Tach mounting kits supply adapter, coupling, accessory shaft and mounting hardware. Allows mounting to 8.5 inch accessory face on most large DC motors.

#### Tach Mounting Kits for DC Integral Hp Motor Catalog No. Ending With "P"

Tach Type	Motor Frame	Motor Enclosure	Catalog Number	List Price	Mult. Sym.	Ap'x. Shpg. Wgt.
XPYII XPY, DPY BTG1000	180/360	DPFG, DPBV	<b>TKP1836XP</b>	997	A8	1
	210/360	TEFC	<b>TKP2136XPT</b>	997	A8	13
	400	DPFG, DPBV	<b>TKP400XP</b>	997	A8	3
	500	DPFG, DPBV	<b>TKP500XP</b>	997	A8	3
XC42 or XC46	210/360	DPFG, DPBV	<b>TKP2136XC</b>	1,475	A8	16
	500	DPFG, DPBV	<b>TKP500XC</b>	1,475	A8	7
ENC00NV ENCODER	180/360	DPFG, DPBV	<b>TKP1836ENC</b>	757	A8	17
	400	DPFG, DPBV	<b>TKP400ENC</b>	757	A8	16
	500	DPFG, DPBV	<b>TKP500ENC</b>	757	A8	17
NCS PANCAKE	210/360	DPFG, DPBV	<b>TKP2136NC</b>	56	A8	3
	400	DPFG, DPBV	<b>TKP400NC</b>	56	A8	1
	500	DPFG, DPBV	<b>TKP500NC</b>	56	A8	1
AC PANCAKE	210/360	DPFG, DPBV	<b>TKP2136AC</b>	56	A8	2
	400	DPFG, DPBV	<b>TKP400AC</b>	56	A8	1
	500	DPFG, DPBV	<b>TKP500AC</b>	56	A8	1

#### Blower and Mounting Kits for DC Integral Hp Motor Catalog No. Ending With "P"

Motor Frame	Catalog Number	Blower Power	Blower Size	List Price	Mult. Sym.	Ap'x. Shpg. Wgt.
<b>Blower and Mounting Kit</b>						
180	<b>FVB3180</b>	1 PH	LM 3	1,302	A8	18
210	<b>FVB3210</b>	3 PH	LM 3	1,302	A8	22
250	<b>FVB3250</b>	3 PH	LM 3	1,302	A8	19
280	<b>FVB4280</b>	3 PH	LM 4	1,592	A8	38
320	<b>FVB6320</b>	3 PH	LM 6	1,854	A8	46
360-400	<b>FVB6400</b>	3 PH	LM 6	2,029	A8	59
504-506	<b>FVB8500</b>	3 PH	LM 8	2,402	A8	79
508-5012	<b>FVB95010 (a)</b>	3 PH	LM 9	4,139	A8	171
<b>Filter and Hardware for Above Blowers</b>						
180, 210, 250	<b>FLT3210-250 (b)</b>	-	LM 3	691	A8	2
280	<b>FLT4280</b>	-	LM 4	691	A8	9
320,360,400	<b>FLT6320-400</b>	-	LM 6	691	A8	9
504-506	<b>FLT8500</b>	-	LM 8	843	A8	9

**NOTE:** (a) Includes Blower and Filter. (b) Also used with FVB3180.

Farm Duty  
Motors

Definite Purpose  
Motors

Unit Handling  
Motors

Brake  
Motors

200 & 575 Volt  
Motors

IEC Frame  
Motors

50 Hertz  
Motors

Inverter/Vector  
Motors & Controls

DC Motors  
and Controls

Soft Start & Dynamic  
Brakes

### Tach Generators DC, AC and Digital Output



**Applications:** Speed feedback for controls (encoders also offer position feedback).

**Features:** Ball bearing construction, standard mounting flanges and/or feet.

Generator Type	Voltage	Catalog Number	List Price	Mult. Sym.	Ap'x. Shpg. Wgt.
<b>XPY Flange Mount (DC)</b>					
30AFL-0	50VDC	BTG1000	488	DS	7
XPYIII	100VDC	BTG100XPS	888	N5	2
XPYII	100VDC	PTG100XPS	1,313	N5	10
XPY	100VDC	PTG100XP	1,264	N5	3
XPYIII	50VDC	BTG50XPS	888	N5	2
XPYII	50VDC	PTG50XPS	1,313	N5	8
XPY	50VDC	PTG50XP	1,264	N5	3
<b>XPY Washdown Flange Mount (DC)</b>					
XPYII	100VDC	PTGWD100XPS	1,398	N5	9
XPYIII	100VDC	BTGWD100XPS	1,056	N5	2
XPYII	50VDC	PTGWD50XPS	1,398	N5	10
XPYIII	50VDC	BTGWD50XPS	1,056	N5	2
<b>Encoder Based Digital PY Flange Mount</b>					
DPY	1024PPR	PTG1024LD (a)	1,649	N5	1
<b>Electrically Isolated Encoder</b>					
E-ACC	1024PPR	ENC00NV (a) (b)	1,876	E8	2
<b>Metric Flange Mount (DC)</b>					
XPY	60VDC	PTG60XP-M (c)	1,264	N5	5
XPYII	60VDC	PTG60XPS-M (c)	1,313	N5	5
XPYIII	60VDC	BTG60XPS-M (c)	888	N5	2
<b>Foot Mount (DC)</b>					
XPY	100VDC	PFTG100XP	1,264	N5	6
XPY	50VDC	PFTG50XP	1,264	N5	6
<b>Foot Mount with Face (DC)</b>					
XC42	100VDC	PFTG42100X	2,486	N5	33
XC42	50VDC	PFTG4250XC	2,541	N5	32
XC46	100VDC	PFTG46100X	4,370	N5	43
XC46	50VDC	PFTG4650XC	4,370	N5	44
<b>Pancake Mount (AC &amp; DC)</b>					
AC	45/90VAC	PTG4590AC (d) **	1,215	N5	8
NCS	50VDC	PTG50NC (d) **	1,814	N5	8

**NOTE:** Flange mounted tachs require tach adapters shown on pages 322 & 324. XPY tachs have UL listing, file number E109527, CSA file number LR36841-5, XPYII tachs are pending approval.

(a) See page 236 for cables.

(b) Electrically isolated encoder & kit: Mounts to Fort Mill DC motors using appropriate adapter shown on page 322 may eliminate the need for EXB00801 isolated encoder feedback board.

(c) Requires adapter for metric flange tach. Will not mount on adapters for PY flanges.

(d) Does not mount to TEFC. See catalog MN605 for details. Will only mount to DPGF and DPBV motors on pages 319 & 320 using adapters shown on page 322.

Farm Duty  
Motors

Definite Purpose  
Motors

Unit Handling  
Motors

Brake Motors

200 & 575 Volt  
Motors

IEC Frame  
Motors

50 Hertz  
Motors

Inverter/Vector  
Motors & Controls

DC Motors  
and Controls

Soft Starters &  
Dynamic Brakes

## Field Conversion Tach Mounting Kits for Permanent Magnet and Shunt Wound Motor

For PY Flange mounted BTG1000, XPY, XPYII and DPY tachometers




Complete kits consisting of fan cover (except TK3300), shaft extension coupling and tach adapter bracket with miscellaneous hardware. If you prefer, the conversion can be made by Baldor Mod Express. Tach kits will not work with Explosion Proof Motors (CDPX or CDX). See PY flange mount tachs shown on page 323.



Baldor Motor Type	Kit Catalog Number	List Price	Mult. Sym.	Ap'x. Shpg. Wgt.
3300P	<b>TK3300</b>	176	A8	1
3400D/P	<b>TK3400</b>	312	A8	4
3500D/P	<b>TK3500</b>	329	A8	9
3600D	<b>TK3600</b>	435	A8	5
3600P	<b>TK3600PM</b>	435	A8	3
7500D	<b>TK7500</b>	450	A8	17
9100D	<b>TK9100</b>	486	A8	23



### DC Drives Selection Chart

Single Phase DC		Three Phase DC	
BC		Series 19H Non-Regen	Series 20H Regen
			
<b>Main Attributes</b>			
29 models to choose from with extensive list of available options to fit greatest range of applications		Digital DC Drive with standard armature voltage feedback or built in encoder feedback capability. Many options available include high resolution analog input and digital output boards.	
<b>Hp Range</b>			
1/100 thru 5		5 thru 300	
<b>Voltage Range</b>			
115/230 1-phase		230/460 3-phase	
<b>Enclosure Selection</b>			
Chassis, NEMA 1, NEMA 4X		Chassis	
<b>Speed Control</b>			
Armature voltage or Tach		Armature voltage or Encoder feedback, standard	
<b>Speed Regulation</b>			
1% of base speed, 1% of set speed with tach feedback		1% of base speed, 0.1% of set speed with encoder feedback	
<b>Speed Range</b>			
20:1 or 50:1		100:1 based on top speed and feedback type	
<b>Communications Options</b>			
None		RS-232 Serial, RS-422/485, Device Net, Modbus Plus, Profibus DP.	
<b>Operator Interface</b>			
Local analog controls on enclosed models; analog and discrete remote control.		Local keypad / display. 2 lines X 16 characters backlit LCD. 12 key membrane w/tactile response.	
<b>Differentiating Feature</b>			
HP range available from 1/100 through 5.		High peak overload rating up to 300%. 15 preset speeds. 9 assignable digital inputs.	

Farm Duty  
Motors

Definite Purpose  
Motors

Unit Handling  
Motors

Brake Motors

200 & 575 Volt  
Motors

IEC Frame  
Motors

50 Hertz  
Motors

Inverter/Vector  
Motors & Controls

DC Motors  
and Controls

Soft Starters &  
Dynamic Brakes

### Fractional Horsepower DC Speed Controls for PMDC Motors

1/15 thru 1/4

115 VAC Single Phase 50/60 Hz.

**Applications:** Conveyors, machine tools and other applications requiring adjustable speed.

**Features:** Simple DC motor control with built-in circuit breaker, center lock reversing switch (center off), on/off switch, 7 foot SJO oil resistant cord, and variable voltage transformer for manual speed adjustment. NEMA 1 enclosure is standard. CSA list file # LR54532.



Max Hp	Catalog Number	List Price	Mult. Sym.	Ap'x Shpg. Wgt.	Amp Capacity	Input Voltage
1/15	BC110	533	E9	5	1.0	115VAC
1/8	BC115	569	E9	6	1.5	115VAC
1/4	BC130	724	E9	10	3.0	115VAC

### NEMA 1 Enclosed DC Controls for PMDC and Shunt Wound Motors

1/100 thru 2 Hp

115/230 VAC Single Phase 50/60 Hz.

**Applications:** General purpose industrial use with permanent magnet or shunt wound DC motors.

**Features:** SCR controls have a free-wheeling diode and feature adjustable accel, decel, current limit, IR comp, min. and max speed pots to match applications. The anti-demag feature protects PM motors and helps protect the SCR power bridge against direct shorts. The controls have US and Canadian UL component recognition.

A Plug-in Horsepower Resistor® and armature fuse **must** be ordered and installed in BC138, BC139, BC140, BC140-FBR, BC141 and BC142.



BC140 ENCLOSED (NEMA 1)

Hp Range	Catalog Number	List Price	Mult. Sym.	Ap'x Shpg. Wgt. Lbs.	Input Voltage
1/100-1/3	BC138	211	E9	1	115
1/50-3/4	BC139	211	E9	1	230
1/100-2 (a)	BC140	358	E9	3	115/230
1/100-2 (a)	BC140-FBR	495	E9	3	115/230

**NOTE:** (a) 1 Hp at 115V and 2 Hp at 230V requires BC143 heatsink kit. See page 330 for features. FBR=Forward/Brake/Reverse.

### DC Control Accessories

Catalog Number	Description	List Price	Mult. Sym.	Ap'x. Shpg. Wgt.
BC24-LF	Ac Line Filter for use with CE Applications	72	E9	1
BC143	External Heatsink Kit (BC140, BC140-FBR, BC141, BC142, BC204)	69	E9	2
BC144	Forward-Brake-Reverse Switch Kit for BC140	120	E9	1
BC145	Signal Isolator Board	204	E9	1
BC146	Current Sensing Relay/Overload Protector	132	E9	1
BC147	Barrier Terminal Board (BC141 and BC142)	29	E9	1
BC148	Replacement Potentiometer Kit (5K ohm)	12	E9	1
BC149	Knob and Dial Kit	14	E9	1
BC152	Barrier Terminal Board With Signal Isolator (BC141 and BC142)	187	E9	1
BC218	DIN-rail mounting kit for BC141, BC142 or BC204	34	E9	1

**NOTE:** BC24-LF is an AC line filter required for applications where CE is required if the control is not filtered elsewhere in the application. This filter may be used on most 115 or 230 VAC, single phase applications where CE is required.

Farm Duty Motors

Definite Purpose Motors

Unit Handling Motors

Brake Motors

200 & 575 Volt Motors

IEC Frame Motors

50 Hertz Motors

Inverter/Vector Motors & Controls

DC Motors and Controls

Soft Start & Dynamic Brakes

### Chassis Mount DC Controls

1/100 thru 1.5 Hp  
1/50 thru 5 Hp

115 VAC Single Phase 50/60 Hz.  
230 VAC Single Phase 50/60 Hz.



BC141 / BC142

**Applications:** General purpose industrial use with permanent magnet or shunt wound DC motors.

**Features:** Chassis-mount SCR controls have a free-wheeling diode and feature adjustable accel, decel, current limit, IR comp, min and max speed pots to match applications. The anti-demag feature protects PM motors and helps protect the SCR power bride against direct shorts. The controls have US and Canadian UL component recognition.

Hp Range	Catalog Number	Description Input Voltage / Max. Hp	List Price	Mult. Sym.	Ap'x. Shpg. Wgt.	Input Voltage
1/100-1 1/2 (a)	<b>BC141</b>	Standard Model, single voltage	196	E9	1	115
1/100-1 1/2	<b>BC141-SIH</b>	BC141 with BC152 Signal Isolator and BC143 Heatsink factory installed	463	E9	2	115
1/100-3 (a)	<b>BC142</b>	Standard Model, single voltage	196	E9	2	230
1/100 - 3	<b>BC142-SIH</b>	BC142 with BC152 Signal Isolator and BC143 Heatsink factory installed	484	E9	2	230
1/100-1 1/2 (a) 1/50-3	<b>BC142-5</b>	Dual voltage, without fuse holders	218	E9	1	115/230
1/100 - 1 1/2 (a) 1/50 - 3	<b>BC142-6</b>	Standard Model, dual voltage	217	E9	1	115/230
1/100 - 1 1/2 1/50 - 3	<b>BC142-6SIH</b>	BC142-6 with BC152 signal isolator board and BC143 heatsink factory installed	484	E9	1	115/230
5	<b>BC155</b>	120V - 1 Hp, 230V - 2 Hp	640	E9	5	230

**NOTE:** Above controls include 5k speed potentiometer.

(a) 1-1.5 Hp at 115 Volts and 2-3 Hp at 230 Volts, requires BC143 Heatsink kit.

BC155 Includes integral heatsink. Please refer to page 330 for features.

### Plug-in Horsepower Resistor and Fuse Kit



A Plug-in Horsepower Resistor® and armature fuse **must** be ordered and installed in BC138, BC139, BC140, BC140-FBR, BC141 and BC142.

These should be selected based on the motor's **rated current**. The price of the Hp resistor and fuse is included in the BC138, BC139, BC140, BC140-FBR, BC141 and BC142 list price.

See selection below for catalog number.

Spare resistor kits are available for \$9.00 list, **E9** multiplier.

Motor Hp Armature Voltage		Plug-in Hp Resistor Resistance Value (Ohms)	Catalog Number	Ap'x DC Current (Amps)	DC Fuse Rating For Armature
90-130V	180V				
1/100	1/50	1.0	<b>BR1000</b>	0.20	0.5
1/50	1/25	0.51	<b>BR0510</b>	0.30	0.5
1/30	1/15	0.35	<b>BR0350</b>	0.33	0.5
1/20	1/10	0.25	<b>BR0250</b>	0.5	0.75
1/15	1/8	0.25	<b>BR0251</b>	0.8	1.0
1/12	1/6	0.18	<b>BR0180</b>	0.85	1.25
1/8	1/4	0.1	<b>BR0100</b>	1.3	2.0
1/6	1/3	0.1	<b>BR0101</b>	2.0	2.5
1/4	1/2	0.05	<b>BR0050</b>	2.5	4.0
1/3	3/4	0.035	<b>BR0035</b>	3.3	5.0
1/2	1	0.025	<b>BR0025</b>	5.0	8.0
3/4	1 1/2	0.015	<b>BR0015SP</b>	7.5	12.0
1 (a)	2 (a)	0.01	<b>BR0010SP</b>	10	15.0
1 1/2 (a)	3 (a)	0.006	<b>BR0006</b>	15	25.0 (b)

**NOTE:** (a) External Heatsink required. (b) Also used with AC Line Fuse. For AC line fuse rating see manual.

Farm Duty  
Motors

Definite Purpose  
Motors

Unit Handling  
Motors

Brake Motors

200 & 575 Volt  
Motors

IEC Frame  
Motors

50 Hertz  
Motors

Inverter/Vector  
Motors & Controls

DC Motors  
and Controls

Soft Starters &  
Dynamic Brakes

### NEMA 4X DC Control and Accessories

**1/4 thru 2 Hp    115/230 VAC    Single Phase 50/60 Hz.**  
**3 Hp                    230 VAC                    Single Phase 50/60 Hz.**

**Applications:** Constant torque, new or replacement.

**Features:** BC154, BCWD140 and BC160 are non-regen controls with reversal by means of switching the armature leads (BCWD140 has a forward/brake/reverse switch mounted). BC254 is a line regenerative SCR control that can drive the motor to a timed stop. BC354 is a PWM control that provides low-ripple DC power to the motor allowing more Hp when used with a 130 or 260 VDC motor. All offer a choice of armature or tachometer feedback and a speed or torque mode. No Hp resistors are needed for these controls, current is jumper selectable. BC154, BC160, BC254 and BC354 are painted black and come with a start-stop switch. BCWD140 comes with white epoxy paint and also forward/brake/reverse and run-jog switches. See page 330 for features.



Hp Range	Catalog Number	Description Input Voltage / Max. Hp	List Price	Mult. Sym.	Ap'x. Shpg. Wgt.	Input Voltage
<b>NEMA 4X SCR (black)</b>						
1/4-2	<b>BC154</b>	Standard model - 120V - 1 Hp, 230V - 2 Hp	453	E9	5	115/230
	<b>BC154-P</b>	BC154 with POWER SWITCH instead of START/STOP SW.	453	E9	5	115/230
	<b>BC154-R</b>	BC154 with BC156 - FBR Switch factory installed	598	E9	5	115/230
	<b>BC154-SI</b>	BC154 with BC145 Signal Isolator Board and BC158 Auto/Man Switch kit factory installed	729	E9	5	115/230
3	<b>BC160</b>	230V - 3 Hp	521	E9	3	230
<b>NEMA 4X Washdown Duty SCR (white)</b>						
1/4-2	<b>BCWD140</b>	120V - 1 Hp, 230V - 2 Hp	606	E9	6	115/230
<b>NEMA 4X Washdown Duty Line Regen SCR (black)</b>						
1/8-2	<b>BC254</b>	120V - 1 Hp, 230V - 2 Hp (a)	653	E9	5	115/230
	<b>BC254-FBR</b>	BC254 with BC253 FWD-BRAKE-REV switch factory installed	685	E9	5	115/230
<b>NEMA 4X Washdown Duty PWM DC (black) (b)</b>						
1/4-2	<b>BC354</b>	120V - 1 Hp, 230V - 2 Hp	702	E9	5	115/230

**NOTE:** (a) See page 329 for BC254 accessories.

(b) Output current is 7.5 amps; Output voltage is 130VDC for 115VAC input - 260VDC for 230VAC input. Motors designed for these voltages will give the best performance.

### DC SCR NEMA 4X DC Control Accessories

Catalog Number	Description	List Price	Mult. Sym.	Ap'x. Shpg. Wgt.
<b>BC153</b>	Electronic Forward-Dynamic Brake-Reverse Kit for BC154, BC354	216	E9	1
<b>BC156</b>	Mechanical Forward-Dynamic Brake-Reverse Switch for BC154, BC354	140	E9	1
<b>BC157</b>	Run/Jog switch for BC154 & BC160, BC354	26	E9	1
<b>BC158</b>	Auto/Manual Installation Kit for BC145 signal isolator for BC154, BC160, BC354	58	E9	1
<b>BC159</b>	AC Line Switch Kit for BC154, BCWD140, BC254, BC354	31	E9	1
<b>BC145</b>	Signal Isolator Board	204	E9	1

**NOTE:** BC159 AC Line Switch Kit is factory installed on BC154, BCWD140, BC354. Listed here as replacement or spare parts.

Farm Duty Motors

Definite Purpose Motors

Unit Handling Motors

Brake Motors

200 & 575 Volt Motors

IEC Frame Motors

50 Hertz Motors

Inverter/Vector Motors & Controls

DC Motors and Controls

Soft Start & Dynamic Brakes

### Line Regenerative DC Controls and Accessories



**1/4 thru 3 Hp  
5 Hp**

**115/230 VAC  
230 VAC**

**Single Phase 50/60 Hz.  
Single Phase 50/60 Hz.**

**Applications:** Frequent start/stop/reverse applications or where controlled braking is required.

**Features:** Single phase line regenerative open chassis control to operate permanent magnet or wound field DC motors. These line regen controls are ideal for applications with overhauling loads. In torque mode, it can be used for tensioning applications. Several accessory boards are available to further customize the control. Includes 5k speed potentiometer. Jumper selectable current settings.

Hp Range	Catalog Number	Description Input Voltage / Max. Hp	List Price	Mult. Sym.	Ap'x. Shpg. Wgt.	Input Voltage
<b>Line Regen SCR</b>						
1/8-2 (a)	<b>BC204</b>	120V 1 Hp, 230V 2 Hp, Standard Model	366	E9	3	115/230
	<b>BC204-BPSI</b>	BC204 with BC215 Bi-polar Signal Isolator factory installed	472	E9	3	
1/4-2	<b>BC200</b>	120V 1 Hp, 230V 2 Hp	683	E9	4	115/230
1/4-3	<b>BC201</b>	120V 1-1/2 Hp, 230V 3 Hp	811	E9	1	115/230
5	<b>BC203</b>	230V 5Hp	1,021	E9	10	230
<b>NEMA 4X Washdown Duty Line Regen SCR</b>						
1/8-2	<b>BC254</b>	120V - 1Hp, 230V - 2Hp Standard Model	653	E9	5	115/230
	<b>BC254-FBR</b>	BC254 with Power On/Off switch instead of Start/Stop switch, and BC253. Forward-Brake-Reverse switch factory installed	685	E9	5	115/230

**NOTE:** (a) 1 Hp at 115 volts and 2 Hp at 230 volts requires BC143 heatsink kit.

### Line Regenerative DC Control Accessories

Catalog Number	Description	List Price	Mult. Sym.	Ap'x. Shpg. Wgt.
<b>Accessories for BC200, BC201 and BC203</b>				
<b>BC212</b>	Bipolar signal isolator board	209	E9	1
<b>Accessories for BC204</b>				
<b>BC143</b>	External Heatsink Kit	69	E9	2
<b>BC215</b>	Bipolar signal isolator board	97	E9	3
<b>BC216</b>	Multispeed board for BC204	74	E9	1
<b>BC218</b>	DIN rail mounting kit	34	E9	1
<b>Accessories for BC254</b>				
<b>BC245</b>	Bipolar signal isolator for BC254	206	E9	1
<b>BC253</b>	Forward-Stop-Brake-Reverse Switch for BC254	26	E9	1
<b>BC258</b>	Auto-manual Switch for BC254	58	E9	1
<b>BC259</b>	AC Line Switch for BC254	26	E9	5

Farm Duty Motors

Definite Purpose Motors

Unit Handling Motors

Brake Motors

200 & 575 Volt Motors

IEC Frame Motors

50 Hertz Motors

Inverter/Vector Motors & Controls

DC Motors and Controls

Soft Starters & Dynamic Brakes

### NEMA Enclosed DC Control Specifications

Features	Catalog Number											
	BC138		BC139		BC140 or BC140-FBR		BC154		BC160		BCWD140	
Enclosure	NEMA 1		NEMA 1		NEMA 1		NEMA 4X		NEMA 4X		NEMA 4X Washdown	
Control Type	NEMA K		NEMA K		NEMA K		NEMA K		NEMA K		NEMA K	
AC Line Input	115		230		115 230		115 230		230		115 230	
DC Armature Voltage Nominal	90		180		90 180		90 180		180		90 180	
Shunt Field Power Supply												
Voltage - DC	50/100		100/200		50/100 100/200		50/100 100/200		100/200		50/100 100/200	
Rated Horsepower Range	1/100 - 1/3		1/50-3/4		1/100-1 1/50-2		1/50-1 1/25-2		3		1/50-1 1/25-2	
External Heat Sink (BC143) Required	No		No		1 Hp 2Hp		Not Required		Not Required		Not Required	
Speed Range (Motor May Be 20: 1 Constant Torque)	50:1		50:1		50:1		50:1		50:1		50:1	
Adjustable Acceleration Time	Yes		Yes		Yes		Yes		Yes		Yes	
Adjustable Deceleration Time	Yes		Yes		Yes		Yes		Yes		Yes	
Minimum Speed Adjustable	Yes		Yes		Yes		Yes		Yes		Yes	
Maximum Speed Adjustable	Yes		Yes		Yes		Yes		Yes		Yes	
Current Limit Adjustable	Yes		Yes		Yes		Yes		Yes		Yes	
Adjustable Current Limit and Trip Out Type	No		No		No		Timed or Non-Timed		Timed or Non-Timed		Timed or Non-Timed	
Control Of Speed or Torque	Speed		Speed		Speed		Speed or Torque		Speed or Torque		Speed or Torque	
IR Compensation Adjustable	Yes		Yes		Yes		Yes		Yes		Yes	
Tachometer Feedback Input	No		No		No		Yes		Yes		Yes	
Plug-In Horsepower Resistor ®	Required		Required		Required		N/A		N/A		N/A	
UL & cUL Listing, CE	Yes		Yes		Yes		Yes		Yes		Yes	
AC Line Fuse	Included		Included		Included		External		External		External	
DC Armature Fuse	Included with Hp Resistor		Included with Hp Resistor		Included with Hp Resistor		Not Supplied with Control		External		Not Supplied with Control	
<b>Options</b>												
AC Line Switch	Standard		Standard		Standard		Opt - BC159		No		Standard	
Forward/Brake/Reverse Switch												
Mechanical	No		No		Opt-BC144		Opt-BC156		No		Standard	
Electronic	No		No		No		Opt-BC153		No		Opt-BC153	
Run/Jog Switch	No		No		No		Opt-BC157		Opt-BC157		Standard	
Input Signal							Internal		Internal		External	
Following Mode Capability							Mount		Mount		Mount	
Current (1-5, 4-20, 20-50mA)	No		No		Opt-BC145		Opt-BC145		Opt-BC145		Opt-BC145	
Voltage (0-25,0-120, VDC)							Opt-BC145		Opt-BC145		Opt-BC145	
Electrical Connection To Control Barrier Terminal Block	Standard		Standard		Standard		Standard		Standard		Standard	
Current Sensing Relay/Overload Protector	No		No		Opt - BC146		Standard		Standard		Standard	
AC Line Filter for CE	Opt-BC24-LF		Opt-BC24-LF		Opt-BC24-LF		Opt-BC24-LF		Opt-BC24-LF		Opt-BC24-LF	

Farm Duty Motors

Definite Purpose Motors

Unit Handling Motors

Brake Motors

200 & 575 Volt Motors

IEC Frame Motors

50 Hertz Motors

Inverter/Vector Motors & Controls

DC Motors and Controls

Soft Start & Dynamic Brakes



### Chassis Mount DC Control Specifications

Features	Catalog Number									
	BC141	BC142	BC142-6		BC155	BC204		BC200	BC201	BC203
Enclosure	Chassis	Chassis	Chassis		Chassis	Chassis		Chassis	Chassis	Chassis
Control Type	NEMA K	NEMA K	NEMA K		NEMA K	Regenerative		Regenerative	Regenerative	Regenerative
AC Line Input	115	230	115	230	230	115	230	115	230	230
DC Armature Voltage Nominal	90	180	90	180	180	90	180	90	180	180
Shunt Field Power Supply Voltage - DC	50/100	100/200	50/100		50/100	50/100		50/100	100/200	100/200
Rated Horsepower Range	1/100-1.5	1/50-3	1/100-1 1/2		5	1/8-1	1/4-1	1/4-1-1/2	1/2-2	5
External Heat Sink (BC143) Required	1 Hp-Up	2 Hp-Up	1/2 Hp-Up		Not Required	90V-1Hp	Not	Not	Not	Not
Speed Range (Motor may be 20:1 Constant Torque)	50:1	50:1	50:1		50:1	50:1	50:1	50:1	50:1	50:1
Adjustable Acceleration	Yes	Yes	Yes		Yes	Yes	Yes	Yes	Yes	Yes
Adjustable Deceleration	Yes	Yes	Yes		Yes	Fwd & Rev Regen	Fwd & Rev Regen	Fwd & Rev Regen	Fwd & Rev Regen	Fwd & Rev Regen
Min. Speed Adjustable	Yes	Yes	Yes		Yes	No	No	No	No	No
Max. Speed Adjustable	Yes	Yes	Yes		Yes	Yes	Yes	Yes	Yes	Yes
Adjustable Current Limit and Tripout Type	Non Timed	Non Timed	Non Timed		Non Timed	Non Timed	Non Timed	Non Timed	Non Timed	Non Timed
Control of Speed or Torque	Speed	Speed	Speed		Speed	Speed or Torque	Speed or Torque	Speed or Torque	Speed or Torque	Speed
IR Compensation Adjustment	Yes	Yes	Yes		Yes	Yes	Yes	Yes	Yes	Yes
Tachometer Feedback Input	Yes	Yes	Yes		Yes	Yes	Yes	Yes	Yes	Yes
Plug-in Horsepower Resistor®	Required	Required	Required		N/A	N/A	N/A	N/A	N/A	N/A
UL & cUL Listing, CE	Yes	Yes	Yes		Yes	Yes	Yes	Yes	Yes	Yes
AC Line Fuse	Included	Included	Included		External	External	Included	Included	Included	External
DC Armature Fuse	Included with Hp Resistor	Included with Hp Resistor	Included with Hp Resistor		Included with Hp Resistor	External	N/A	N/A	N/A	External
<b>Options</b>										
Input Signal										
Following Mode Capability						No				
Current (1-5, 4-20, 20-50 mA)	Opt-BC145	Opt-BC145	Opt-BC145		Opt-BC145	No	No	No	No	No
Voltage (0-25, 0-120, VDC)	Opt-BC145	Opt-BC145	Opt-BC145		Std 0-10 VDC	Opt BC215	Std 0-±10 VDC	Std 0-±10 VDC	Std 0-±10VDC	Std 0-±10VDC
0-25, 0-120, VDC)	No	No	No		No	with BC214	Opt-BC212	Opt-BC212	Opt-BC212	Opt-BC212
Electrical Connection To Control										
Push-On Quick Connects	Standard	Standard	Standard		No	Standard	No	No	No	No
Barrier Terminal Block	Opt-BC147	Opt-BC147	Opt-BC147		Standard	N/A	Standard	Standard	Standard	Standard
Current Sensing Relay/ Overload Protector	Opt-BC146	Opt-BC146	Opt-BC146		Opt-BC146	N/A	Standard	Standard	Standard	Standard
Regenerative Accel / Decel Board	No	No	No		No	No	Opt - BC211	Opt - BC211	Opt - BC211	Opt - BC211
AC Line Filter for CE	Opt-BC24-LF	Opt-BC24-LF	Opt-BC24-LF		Opt-BC24-LF	Opt-BC24-LF	Opt-BC24-LF	Opt-BC24-LF	Opt-BC24-LF	Opt-BC24-LF

Farm Duty Motors

Definite Purpose Motors

Unit Handling Motors

Brake Motors

200 & 575 Volt Motors

IEC Frame Motors

50 Hertz Motors

Inverter/Vector Motors & Controls

DC Motors and Controls

Soft Starters & Dynamic Brakes

### Series 19H Digital DC Controls

5 thru 75Hp  
5 thru 300 Hp

180-264 VAC - 50/60 Hz  
340-528 VAC - 50/60 Hz



**Applications:** Constant torque applications. New installations, replacements and original equipment manufacturers (OEM).

**Features:** Chassis mounting, built-in armature or encoder feedback, high peak currents.

#### Design Specifications

- Three phase, full wave SCR armature control
- High peak overload, 250-300% (depending on rating)
- Selectable operating modes: Keypad; Standard Run, 15 Speed, Bipolar speed/torque; Serial; Process follower mode.
- Analog meter outputs
- Buffered encoder output
- 9 isolated inputs
- Chassis mounting

#### Operator Keypad

- Digital Speed Control
- Forward/Reverse Command
- Motor RUN and JOG
- Local/Remote Key
- Stop Command (coast or external DB to stop)
- 32 Character alpha-numeric display
- Remote mount to 100 feet from control
- NEMA 4X enclosure on keypad

#### Environmental and Operating Conditions

- Input Frequency - 50 or 60 Hz  $\pm$  5%
- Service factor - 1.0
- Duty - continuous
- Humidity - 90% max RH non-condensing
- Altitude - 3300 feet max without derate

#### Protective Features

- Control Input over and under voltage
- Encoder, tach or resolver loss
- Torque proving
- Selectable manual or automatic restart at power loss
- Digital display for fault conditions

#### Motor Feedback

- 1024 PPR standard (with quadrature)
- Power output: +5VDC, 300 mA max
- Max frequency: 1 MHz
- Optional feedback: tachometer or resolver through expansion board

<b>Output Ratings</b>	Voltage	DC - 0-1.3 times VAC input
<b>Input Ratings</b>	Frequency	50 or 60 Hz $\pm$ 5%
	Voltage	200-240 VAC $\pm$ 10%; 380-480 VAC $\pm$ 10%
	Phase	Three phase
<b>Control Spec.</b>	Impedance	5% maximum
	Control Method	Full wave-uni-directional DC control, NEMA type C
	Speed Setting	0-5VDC, 0-10VDC, 4-20 mA, digital via keypad, optional RS232/422/485
	Accel/Decel	0-3600 seconds (decel-coast or controlled by external DB resistors) - no S-curve decel
	Minimum Speed	0-maximum speed
	Maximum Speed	0-5000 RPM
	Motor Matching	Automatic tuning to motor with manual override
<b>Field Power Supply</b>	Type	Voltage limited, current regulated full wave single phase
	Voltage	0 to 10-85% of AC line Input in DC volts
	Current	0.1-15 Amps maximum-standard, 0.1-40 amps maximum-optional
	Field Economy Level	OFF, 25-100%
	Field Forcing Level	100-125% (hoist modes only)
<b>Motor Feedback</b>	Feedback Type	Armature or incremental encoder coupled to motor shaft
	Pulses/Rev	60-65535 selectable, 1024 standard
	Voltage Output	2 channel in quadrature, 5VDC differential
	Marker Pulse	Required for position orientation
	Power Input	5VDC, 300 mA maximum
	Optional Feedback	Tachometer or resolver via expansion board
<b>Protective Functions</b>	Control Trip	Missing control power, over current armature over voltage, motor overspeed over temperature (motor & control), field loss, encoder tach or resolver loss, phase loss, motor overload and overcurrent
	Fusing	Standard input line, armature and field power supply fuses
	External Output	LED indicator for trip conditions, 4 assignable logic outputs - 30VDC Max, 2 assignable analog outputs 0-5VDC
<b>LCD Display</b>	Running	Motor RPM, output current, voltage (selectable)
	Setting	Parameter values for setup and review
	Trip	Separate message for each trip, last 31 trips retained in memory
<b>Ambient Conditions</b>	Temperature	0-40°C for UL listing
	Cooling	Forced air included when required

**NOTE:** Use of DC tach for feedback requires DC Tachometer Interface Board, catalog number EXB006A01. Other expansion boards are available, see pages 301-302.

### Series 19H Digital DC Controls continued...

Hp	Input Volt	Armature Output Current		Catalog Number	List Price	Mult. Sym.	Chassis Size
		Amps Cont	Amps Peak				
<b>230 Volt Input - 240 VDC Output</b>							
5	230	20	40	BC19H205-CO	5,764	E1	A
10	230	40	80	BC19H210-CO	5,764	E1	A
15	230	60	120	BC19H215-CO	6,193	E1	A
20	230	75	150	BC19H220-CO	6,696	E1	B
25	230	100	200	BC19H225-CO	7,052	E1	B
40	230	140	280	BC19H240-CO	9,043	E1	C
50	230	180	360	BC19H250-CO	9,724	E1	C
60	230	210	420	BC19H260-CO	10,744	E1	C
75	230	270	540	BC19H275-CO	11,650	E1	C
<b>460 Volt Input - 500 VDC Output</b>							
10	460	20	40	BC19H410-CO	5,870	E1	A
20	460	40	80	BC19H420-CO	5,870	E1	A
30	460	60	120	BC19H430-CO	6,337	E1	A
40	460	75	150	BC19H440-CO	6,852	E1	B
50	460	100	200	BC19H450-CO	7,212	E1	B
75	460	140	280	BC19H475-CO	9,508	E1	C
100	460	180	360	BC19H4100-CO	10,154	E1	C
125	460	210	419	BC19H4125-CO	11,172	E1	C
150	460	270	540	BC19H4150-CO	12,093	E1	C
200	460	350	875	BC19H4200-CO	14,827	E1	D
300	460	500	1000	BC19H4300-CO	19,870	E1	D

**OPTIONS:** See pages 301-302 for optional Expansion Boards including Tachometer Feedback, RS-232, RS-422, RS-485, Resolver, Interface, etc. 40 Amp field power supply. V0073400

### Dimensions in/(mm)

Size	Hp	Outside			Mounting		Ap'x Shpg. Wgt.
		Height	Width	Depth	Height	Width	
<b>A</b>	ALL	20.60/(523.2)	11.00/(279.4)	9.87/(250.7)	18.00/(457.2)	10.25/(260.4)	39
<b>B 230V</b>	ALL	25.70/(652.8)	11.00/(279.4)	9.84/(249.9)	23.87/(606.3)	10.25/(260.4)	67
<b>B 460V</b>	ALL	26.75/(679.5)	11.00/(279.4)	9.84/(249.9)	24.94/(633.5)	10.25/(260.4)	69
<b>C 230V</b>	40-60	26.50/(673.1)	11.75/(298.5)	10.63/(270.0)	23.90/(607.0)	10.25/(260.4)	80
<b>C 460V</b>	75-100	27.25/(692.2)	11.75/(298.5)	10.63/(270.0)	24.65/(626.1)	10.25/(260.4)	84
<b>C 230V</b>	75	33.00/(838.2)	11.75/(298.5)	10.63/(270.0)	23.90/(607.6)	10.25/(260.4)	94
<b>C 460V</b>	125-200	33.75/(857.3)	11.75/(298.5)	10.63/(270.0)	24.65/(626.1)	10.25/(260.4)	97
<b>D</b>	ALL	43.80/(1112.5)	16.87/(428.5)	12.43/(315.7)	39.25/(997.0)	13.75/(349.3)	272

Farm Duty Motors

Definite Purpose Motors

Unit Handling Motors

Brake Motors

200 & 575 Volt Motors

IEC Frame Motors

50 Hertz Motors

Inverter/Vector Motors & Controls

DC Motors and Controls

Soft Starters & Dynamic Brakes

### Series 20H Line Regenerative Digital DC Controls



**5 thru 75Hp  
5 thru 300 Hp**

**180-264 VAC - 50/60 Hz  
340-528 VAC - 50/60 Hz**

**Applications:** Constant torque applications. New installations, replacements and original equipment manufacturers (OEM).

**Features:** Chassis mounting, built-in armature or encoder feedback. High peak current.

#### Design Specifications

- Three phase, full wave, four quadrant SCR armature control.
- Peak overload capacity of 250-300% (depending on rating)
- Selectable operating modes: Keypad, Standard Run, 15 Speed, Bipolar speed/torque, Serial, Bipolar Hoist, 7 Speed Hoist, process follower
- Motor shaft orient to encoder marker or external switch closure (encoder feedback)
- 15 preset speeds (7 in Hoist Mode.)

#### Operator Keypad

- Digital Speed Control
- Forward/Reverse Command
- Motor RUN and JOG
- Local/Remote Key
- Stop Command
- 32 Character alpha-numeric display
- Remote mount to 100 feet from control
- NEMA 4X enclosure on keypad

#### Environmental and Operating Conditions

- Input frequency - 50 or 60Hz  $\pm 5\%$
- Service factor - 1.0
- Duty - continuous
- Humidity - 90% max RH non-condensing
- Altitude - 3300 feet max without derate

#### Protective Features

- Torque proving
- Selectable manual or automatic restart at power loss
- Digital display for fault conditions

#### Motor Feedback

- Power output: +5VDC, 300 mA max
- Positioning: Buffered encoder pulse train output for position loop control
- Optional feedback: tachometer or resolver through expansion board

<b>Output Ratings</b>	Voltage	DC 0-1.13 times VAC input	
	<b>Input Ratings</b>	Frequency	50 or 60 Hz $\pm 5\%$
		Voltage	200-240 VAC $\pm 10\%$ ; 380-480 VAC $\pm 10\%$
<b>Control Spec.</b>	Phase	Three phase	
	Impedance	5% maximum	
	Control Method	Full wave-bi-directional regenerative DC control, NEMA type C	
	Speed Setting	$\pm 5\text{VDC}$ , 0-5VDC, $\pm 10\text{VDC}$ , 0-10VDC, 4-20 mA, digital via keypad, optional RS232/422/485	
	Accel/Decel	0-3600 seconds or s-curve	
	Minimum Speed	0-maximum speed	
	Maximum Speed	0-5000 RPM	
<b>Field Power Supply</b>	Motor Matching	Automatic tuning to motor with manual override	
	Type	Voltage limited, current regulated full wave single phase	
	Voltage	0 to 10-85% of AC line Input in DC volts	
	Current	0.1-15 Amps maximum-standard, 0.1-40 amps maximum-optional	
	Field Economy Level	OFF, 25-100%	
<b>Motor Feedback</b>	Field Forcing Level	100-125% (hoist modes only)	
	Feedback Type	Armature or incremental encoder coupled to motor shaft	
	Pulses/Rev	60-65535 selectable, 1024 standard	
	Voltage Output	2 channel in quadrature, 5VDC differential	
	Marker Pulse	Required for position orientation	
	Power Input	5VDC, 300 mA maximum	
	Maximum Frequency	1 MHz	
	Positioning	Optional buffered encoder pulse train output for position loop controller	
	Optional Feedback	Tachometer or resolver via expansion board	
	<b>Protective Functions</b>	Control Trip	Missing control power, over current armature over voltage, motor overspeed over temperature (motor & control), field loss, encoder tach or resolver loss, phase loss, motor overload and overcurrent
Fusing		Standard input line, armature and field power supply fuses	
External Output		LED indicator for trip conditions, 4 assignable logic outputs - 30VDC Max, 2 assignable analog outputs 0-5VDC	
<b>LCD Display</b>	Running	Motor RPM, output current, voltage (selectable)	
	Setting	Parameter values for setup and review	
	Trip	Separate message for each trip, last 31 trips retained in memory	
<b>Ambient Conditions</b>	Temperature	0-40°C for UL listing	
	Cooling	Forced air included when required	

**NOTE:** Use of DC tach for feedback requires DC Tachometer Interface Board, catalog number EXB006A01. Other expansion boards are available, see pages 301-302.

### Series 20H Line Regenerative Digital DC Controls

Hp	Input Volt	Armature Output Current		Catalog Number	List Price	Mult. Sym.	Chassis Size
		Amps Cont	Amps Peak				
<b>230 Volt Input - 240 VDC Output</b>							
5	230	20	60	BC20H205-CL	6,716	E1	A
10	230	40	120	BC20H210-CL	6,716	E1	A
15	230	60	150	BC20H215-CL	6,716	E1	A
20	230	75	190	BC20H220-CL	7,039	E1	B
25	230	100	250	BC20H225-CL	7,927	E1	B
40	230	140	420	BC20H240-CL	10,281	E1	C
50	230	180	480	BC20H250-CL	11,124	E1	C
60	230	210	540	BC20H260-CL	11,763	E1	C
75	230	270	680	BC20H275-CL	14,430	E1	C
<b>460 Volt Input - 500 VDC Output</b>							
5, 7.5, 10	460	20	60	BC20H410-CL	7,068	E1	A
15, 20	460	40	120	BC20H420-CL	7,068	E1	A
25, 30	460	60	150	BC20H430-CL	7,295	E1	A
40	460	75	190	BC20H440-CL	7,618	E1	B
50	460	100	250	BC20H450-CL	8,448	E1	B
60, 75	460	140	420	BC20H475-CL	11,689	E1	C
100	460	180	480	BC20H4100-CL	12,613	E1	C
125	460	210	530	BC20H4125-CL	14,065	E1	C
150	460	270	680	BC20H4150-CL	15,384	E1	C
200	460	350	875	BC20H4200-CL	18,494	E1	D
250	460	420	1050	BC20H4250-CL	23,162	E1	D
300	460	510	1250	BC20H4300-CL	25,373	E1	D

**OPTIONS:** See pages 301-302 for optional expansion Boards including Tachometer Feedback, RS-232, RS-422, RS-485, Resolver, Interface, etc.  
40 Amp field power supply. V0073400

### Dimensions in/(mm)

Size	Hp	Outside Height	Width	Depth	Mounting		Ap'x Shpg. Wgt.
					Height	Width	
<b>A</b>	ALL	20.60/(523.2)	11.00/(279.4)	9.87/(250.7)	18.00/(457.2)	10.25/(260.4)	39
<b>B 230V</b>	ALL	25.70/(652.8)	11.00/(279.4)	9.84/(249.9)	23.87/(606.3)	10.25/(260.4)	67
<b>B 460V</b>	ALL	26.75/(679.5)	11.00/(279.4)	9.84/(249.9)	24.94/(633.5)	10.25/(260.4)	69
<b>C 230V</b>	40-60	26.50/(673.1)	11.75/(298.5)	10.63/(270.0)	23.90/(607.0)	10.25/(260.4)	80
<b>C 460V</b>	75-100	27.25/(692.2)	11.75/(298.5)	10.63/(270.0)	24.65/(626.1)	10.25/(260.4)	84
<b>C 230V</b>	75	33.00/(838.2)	11.75/(298.5)	10.63/(270.0)	23.90/(607.6)	10.25/(260.4)	94
<b>C 460V</b>	125-200	33.75/(857.3)	11.75/(298.5)	10.63/(270.0)	24.65/(626.1)	10.25/(260.4)	97
<b>D</b>	ALL	43.80/(1112.5)	16.87/(428.5)	12.43/(315.7)	39.25/(997.0)	13.75/(349.3)	272

Farm Duty Motors

Definite Purpose Motors

Unit Handling Motors

Brake Motors

200 & 575 Volt Motors

IEC Frame Motors

50 Hertz Motors

Inverter/Vector Motors & Controls

DC Motors and Controls

Soft Starters & Dynamic Brakes

### Digital Soft Start Controls

**9 thru 900 Amps**  
**9 thru 900 Amps**

**208-460V 50/60 Hz.**  
**208-575V 50/60 Hz.**



**Applications:** Controlled ramp start and stop, minimize spillage in material handling, reduced water hammer in pumping, reduced wear on mechanical gears, eliminate high inrush current, and energy optimizing of under loaded motors. Typical applications include: pumps, conveyors, fans, reciprocating compressors and screw and rotary compressors

**Features:** Six SCR three phase voltage control with programmable starting ramp and current limit. Application software senses changing load conditions and adapts to increase performance. Power factor optimization eliminates motor over-fluxing and allows under-loaded or over-sized motors to operate more efficiently. NEMA 1 enclosure.

#### Design Specifications

- MOV protection
- Current feedback
- Microprocessor Control
- Power factor sensing
- Energy optimization
- One programmable input
- Two programmable form C outputs

#### Custom Product Capabilities

- NEMA 12, 4 or 3R enclosures with bypass contactor
- Flange mounted input disconnect
- Input circuit breaker or fuses
- Input contactor
- 3 wire start/stop pushbuttons
- 2 wire Hand-Off-Auto switch
- Indicating lights
- Large units up to 1800 amps

#### Environmental and Operating Conditions

- Input voltage 3 phase 208-575V
- Control voltage 120VAC
- Input frequency 50/60 Hz
- Humidity 90% RH condensing
- 3000 feet altitude
- 40°C ambient temperature

#### Protective Features

- Current limit
- Shorted SCR detection
- SCR overload
- Shear pin-over-current detection
- Low current/under-load detection
- Input phase loss on start up
- Heat sink over-temperature

<b>Output</b>	Voltage	208-460V, 230-575V
	Current	9-900A
	Horsepower	Voltage and application rated, 5-700Hp
	Short Circuit	5000 Amperes symmetrical
	Altitude Derate	1% per 330 feet above 3300 feet
	Temperature Derate	2% per one °C above 40°C up to 60°C
<b>Overload</b>	Standard Duty	300% Motor full load amps at 35 seconds, 400% Motor full load amps at 6 seconds
	Medium Duty	300% Motor full load amps at 60 seconds, 400% Motor full load amps at 12 seconds
	Heavy Duty	300% Motor full load amps at 80 seconds, 400% Motor full load amps at 35 seconds
<b>Input Ratings</b>	Voltage	208-460V, 230-575V
	Frequency	50/60 Hz
	Phase	Three Phase
<b>Control Spec</b>	Control Method	Microprocessor controlled full wave, three phase, six thyristor firing
	Start Time	Programmable 1-255 seconds
	Stop Time	Programmable 0-255 seconds
	Voltage Pedestal	Programmable: Start 10-60%, Kick 60-90%, Stop 10-60%
	Current Limit	800% of rated current
	Power Factor	Continuously monitored to eliminate motor over-flux for power optimizing
<b>SCR Spec</b>	Peak Inverse Voltage	460VAC controllers 1400V
		575VAC controllers 1600V
	Heat Loss	3.3 Watts per 1 Ampere running current
<b>Ambient Conditions</b>	Temperature	Enclosed 0-40°C
	Cooling	Convection / Forced Air included when required
	Altitude	3300 feet above sea level



### Digital Soft Start Controls - Typical Applications

#### Standard Duty

- Agitator
- Axial Blower
- Axial Fan
- Band Saw
- Centrifugal Pump
- Chiller
- Escalator
- Low Inertia Fan
- Propeller Fan
- Small Pump

#### Medium Duty

- Circular Saw
- Conveyor, Screw Feeder
- Drilling Press
- Elevator
- Flywheel Press
- Grinder
- Hammer Press

- High Inertia Fan
- Large Pump
- Mill Mixer
- Pelletizer / Pulper
- Positive Displacement Pump
- Reciprocating Compressor
- Vibrating Screen

#### Heavy Duty

- Centrifugal Blower
- Centrifugal Fan
- Chipper
- Disintegrator
- Loaded Centrifuge
- Loaded Mixer
- Loaded Screw Compressor
- Loaded Reciprocating Compressor
- Pulverizer
- Rock Crusher
- Separator

Standard Duty <sup>(a)</sup>			Medium Duty <sup>(b)</sup>			Heavy Duty <sup>(c)</sup>			Cont. Output Amps	Catalog Number	List Price	Mult. Sym.	Size
208V <sup>(d)</sup>	230V	460V	208V <sup>(d)</sup>	230V	460V	208V <sup>(d)</sup>	230V	460V					
<b>Motor Application Horsepower @ 10 Starts per hour Maximum</b>													
—	—	5	—	—	5	—	—	—	9	MD7-009-CB	1,873	E7	1
3	5	10	—	—	7.5	—	—	5	16	MD7-016-CB	1,945	E7	1
5	7.5	15	—	5	10	—	—	7.5	23	MD7-023-CB	2,141	E7	1
7.5	10	20	5	7.5	15	—	—	10	30	MD7-030-CB	2,325	E7	1
10	15	30	7.5	10	20	—	5	15	44	MD7-044-CB	2,650	E7	1
15	20	40	10	15	30	5	7.5	20	59	MD7-059-CB	2,969	E7	1
20	25	50	15	15	40	7.5	10	30	72	MD7-072-CB	3,358	E7	1
25	30	60	15	20	50	10	15	40	85	MD7-085-CB	3,549	E7	1
30	40	75	20	30	60	15	20	50	105	MD7-105-CB	4,279	E7	1
40	50	100	30	40	75	20	30	60	146	MD7-146-CB	5,054	E7	1
50	60	125	40	50	100	30	40	75	174	MD7-174-CB	6,700	E7	2
60	75	150	50	60	125	40	50	100	202	MD7-202-CB	7,436	E7	2
75	100	200	60	75	150	50	60	125	242	MD7-242-CB	7,992	E7	2
<b>Motor Application Horsepower @ 3 Starts per hour Maximum</b>													
100	125	250	75	100	200	60	75	150	300	MD7-300-CB	8,908	E7	2
125	150	300	100	125	250	75	100	200	370	MD7-370-CB	9,646	E7	2
150	200	400	125	150	300	100	125	250	500	MD7-500-CB	13,189	E7	3
200		500	150	200	400	125	150	300	600	MD7-600-CB	14,320	E7	3
		600	200		500	150	200	400	750	MD7-750-CB	17,095	E7	3
		700			600	200		500	900	MD7-900-CB	18,507	E7	3

Standard Duty <sup>(a)</sup>			Medium Duty <sup>(b)</sup>			Heavy Duty <sup>(c)</sup>			Cont. Output Amps	Catalog Number	List Price	Mult. Sym.	Size
575V			575V			575V							
<b>Motor Application Horsepower @ 10 Starts per hour Maximum</b>													
		7.5			5			—	9	MD8-009-CB	2,154	E7	1
		10			7.5			5	16	MD8-016-CB	2,238	E7	1
		20			10			7.5	23	MD8-023-CB	2,462	E7	1
		25			20			10	30	MD8-030-CB	2,674	E7	1
		40			30			20	44	MD8-044-CB	3,047	E7	1
		50			40			30	59	MD8-059-CB	3,414	E7	1
		60			50			40	72	MD8-072-CB	3,860	E7	1
		75			60			50	85	MD8-085-CB	4,081	E7	1
		100			75			60	105	MD8-105-CB	4,919	E7	1
		125			125			100	146	MD8-146-CB	5,813	E7	1
		150			—			—	174	MD8-174-CB	7,704	E7	2
		200			150			125	202	MD8-202-CB	8,550	E7	2
		250			200			150	242	MD8-242-CB	9,189	E7	2
<b>Motor Application Horsepower @ 3 Starts per hour Maximum</b>													
		250			—			—	300	MD8-300-CB	10,100	E7	2
		300			250			—	370	MD8-370-CB	11,094	E7	2
		400			300			300	500	MD8-500-CB	15,165	E7	3
		500			400			400	600	MD8-600-CB	16,470	E7	3
		600			500			500	750	MD8-750-CB	19,663	E7	3
		700			600			600	900	MD8-900-CB	21,284	E7	3

(a) 300% Motor FLA @ 35 Sec., 400% Motor FLA @ 6 Sec.  
 (b) 300% Motor FLA @ 60 Sec., 400% Motor FLA @ 12 Sec.  
 (c) 300% Motor FLA @ 80 Sec., 400% Motor FLA @ 35 Sec.  
 (d) 208V applications are UL listed only to 196V.

Farm Duty Motors

Definite Purpose Motors

Unit Handling Motors

Brake Motors

200 & 575 Volt Motors

IEC Frame Motors

50 Hertz Motors

Inverter/Vector Motors & Controls

DC Motors and Controls

Soft Starters & Dynamic Brakes

### Digital Soft Start Controls - Dimensions

#### Dimensions

Size	Outside			Mounting		Ap'x. Shpg. Wgt. lbs. (kg)
	Height Inches (mm)	Width Inches (mm)	Depth Inches (mm)	Height Inches (mm)	Width Inches (mm)	
1	16.5 (420)	8.7 (222)	7.7 (195)	15.7 (400)	5.9 (150)	16.1 (7.3) or 18.3 (8.3) > 44 amp
2	20.2 (520)	13.4 (340)	10.4 (265)	19.7 (500)	9.8 (250)	34.5 (15.7) or 48.4 (22) > 200 amp
3	24 (610)	26.6 (675)	15.7 (400)	22.7 (575)	19.7 (500)	143 (65) or 158.4 (72) > 600 amp

### Digital Soft Start Controls - Accessories



#### External MOV

(Metal Oxide Varistor type voltage surge suppressor)

- Protects from line-to-line voltage spikes
- Recommended for all low line impedance applications

Catalog Number	Volts	List Price	Mult. Sym.
MOV505L	460	114	E7
MOV620EL	575	107	E7



#### Remote Keypad with Cable

- 32 Character English alphanumeric display
- NEMA 4X indoor enclosure
- Backlit LCD

Catalog Number	Cable Length	List Price	Mult. Sym.
CBLDS015KP	5 ft.	475	E8

#### Expansion Board

- Two programmable relay outputs with FORM C contact (normally open and normally closed)
- Two programmable analog outputs (0-10V @ 10mA maximum)
- One programmable or 4-20mA analog input

Catalog Number	List Price	Mult. Sym.
EB0389A00SP	713	E8

### Multipurpose Solid State Soft Starter



**8 thru 420 Amps**  
**8 thru 30 Amps**

**208/230/460V 60 Hz.**  
**208/230/460/575V 60 Hz.**

**Applications:** Controlled ramp start and stop, minimize spillage in material handling applications and water hammer in pumping equipment. Current limit provides a current ceiling to limit peak demand on start and constant current starting of high inertial loads such as chippers, centrifuges and compressors. Typical applications include: small and large pumps, conveyors, low and high inertia fans, reciprocating compressors, screw and rotary compressors.

**Features:** Six SCR power devices and several enclosure options. Tachometer feedback may be used to provide consistent starting independent of load conditions on textile, material handling and pumping equipment.

#### Design Specifications

- Current feedback
- Microprocessor Control
- Power factor sensing
- Energy optimization
- One programmable input
- Two programmable form C outputs
- Programmable current limit

#### Environmental and Operating Conditions

- Input voltage  
3 phase 208-575V
- Control voltage 120VAC
- Input frequency 50/60 Hz
- Humidity 90% RH condensing
- 3000 feet altitude
- 40°C ambient temperature

#### Protective Features

- Current limit
- Shorted SCR detection
- SCR overload
- Shear pin-over-current detection
- Low current/under-load detection
- Input phase loss on start up
- Heat sink over-temperature

Model Number	208/230/460 VAC 60 Hz.	MA7-008-CA	MA7-016-CA	MA7-030-CA	MB7-055-CP	MB7-080-CP	MB7-160-CP	MB7-250-CP	MB7-420-CP	
<b>Control only</b>	208/230/460/575 VAC 60 Hz.	MA8-008-CA	MA8-016-CA	MA8-030-CA	—	—	—	—	—	
<b>Output Ratings</b>	Hp Rating	230 VAC	2	5	10	20	30	60	100	150
		460 VAC	5	10	20	40	60	125	200	350
		575 VAC	5	10	20	—	—	—	—	—
	Current Rating	8 Amp	16 Amp	30 Amp	55 Amp	80 Amp	160 Amp	240 Amp	420 Amp	
	Overload Rating	Continuous 115% of FLA; 400% for 30 seconds								
Derate	Above 1000m (3300 Ft.) decrease amp rating 1% for each additional 100m (330 ft.)									
	Above 45° (115°F) decrease amp rating 1.0% for each additional °C (0.84%/°F)									
<b>Input Rating</b>	Frequency	60 Hz. ±5%								
	Voltage	+10% to -15% (except for 575 VAC units max. VAC is 620)								
	Phase	Three Phase								
<b>Control Spec.</b>	Control Method	6 SCRs connected in inverse parallel for full-wave control								
	Start Time	Adjustable 3-50 seconds (current limit starting is not timed)								
	Stop Time	Adjustable 5-50 seconds to extend stopping time								
	Initial Torque	Adjustable starting 0-75%; Stopping 0-100%								
	Current Limit	Adjustable 75-400% of full load amps								
	Pulse Time	Adjustable 0-1.5 seconds								
	Current Monitor	Adjustable 50-400% of full load amps (causes a contact closure or control shut down when current level is reached after starting)								
	Power Factor	Adjustable for max. reduced motor voltage dependent on motor load								
	Control Power	Self-powered					External Transformer			
	Status Contacts	125 VAC at 0.5 Amp normally open								
<b>SCR Spec.</b>	Peak Inverse Voltage	460 VAC Starters 1200 VAC 575 VAC Starters 1600 VAC								
	Heat Loss	3.3 watts per running amp								
<b>Protective Functions</b>	Over Current	Over current shut down at 450% of motor full load amps								
	Shorted SCR Detection	Shunt trip contact								
	SCR Thermostat	Trips on over temperature of heat sink on 55 amp sizes and above								
	Voltage Transient	Metal oxide varistor (MOV)								
<b>Ambient Conditions</b>	Temperature	Enclosed 0-45°C (32 to 113°F) open/panel 0 to 50°C (32 to 122°F)								
	Cooling	Convection					Forced Air			

### Multipurpose Solid State Soft Starter

Amp Size	Max Hp at VAC				Catalog Number	List Price	Mult. Sym.
	208	230	460	575			
<b>Combination Starter (a)</b>							
<b>NEMA 12 (can also be used for NEMA 1)</b>							
55	15	20	40	—	MB7-055-GC	6,108	E7
80	25	30	60	—	MB7-080-GC	6,698	E7
160	50	60	125	—	MB7-160-GC	14,273	E7
250	75	100	200	—	MB7-250-GC	16,420	E7
420	150	150	350	—	MB7-420-GC	21,053	E7
<b>NEMA 1 - 208/230/460 Volts</b>							
80	25	30	60	—	MB7-080-AB	8,111	E7
160	50	60	125	—	MB7-160-AB	10,696	E7
250	60	75	150	—	MB7-250-AB-1	12,772	E7
250	75	100	200	—	MB7-250-AB	13,351	E7
420	150	150	350	—	MB7-420-AB	15,331	E7
<b>Non-Combination Starter (a)</b>							
<b>NEMA 1</b>							
160	50	60	125	—	MB7-160-BB	9,046	E7
250	75	100	200	—	MB7-250-BB	10,066	E7
420	150	150	350	—	MB7-420-BB	12,098	E7
<b>Control Only</b>							
<b>Open/Panel</b>							
8	2	2	5	—	MA7-008-CA	1,329	E7
16	3	5	10	—	MA7-016-CA	1,398	E7
30	7.5	10	20	—	MA7-030-CA	1,640	E7
55	15	20	40	—	MB7-055-CP	3,107	E7
80	25	30	60	—	MB7-080-CP	4,453	E7
160	50	60	125	—	MB7-160-CP	5,795	E7
250	75	100	200	—	MB7-250-CP	7,939	E7
420	150	150	350	—	MB7-420-CP	9,972	E7
8	2	2	5	5	MA8-008-CA	1,386	E7
16	3	5	10	10	MA8-016-CA	1,468	E7
30	7.5	10	20	25	MA8-030-CA	1,697	E7
<b>NEMA 1</b>							
160	50	60	125	—	MB7-160-CB	7,039	E7
250	75	100	200	—	MB7-250-CB	9,226	E7
420	150	150	350	—	MB7-420-CB	11,111	E7

(a) Combination Starter includes control, overload relay and circuit breaker. Non-combination Starter includes control and overload relay.

(b) Uses a shunt bypass contactor to short SCR after ramp up (not a full voltage bypass starter). Custom controls available.

### Single Phase Starter 7 thru 110 Amps 115/230V 50/60 Hz.



**Applications:** Use with existing or new magnetic starter. This industrial solid state control will reduce initial starting torque and current of single phase motors allowing them to be started with minimum voltage drop. High starting torque problems such as belt slippage may be eliminated. Ideal for crop driers, augers, bucket elevators and fan or pump applications.

**Features:** Two adjustable starting torque settings. Adjustable starting ramp time to 30 seconds.

Amp Size	Max Hp at VAC		Catalog Number	List Price	Mult. Sym.	Notes (a)
	115	230				
<b>Open/Panel - 115/230 Volts</b>						
7	1/4	3/4	S20CA	564	E7	19
12	1/2	2	S21CA	586	E7	19
24	2	3	S22CA	625	E7	19
40	3	7.5	S23CA	667	E7	19
110	10	—	S25CA	1,115	E7	19

**NOTE:** To size single phase starters use the motor FLA. There is a great variation in FLA between motor manufacturers in these sizes.

(a) See notes on inside back flap.

### Definite Purpose Soft Start Control



**8 thru 135 Amps**  
**8 thru 30 Amps**  
**8 thru 30 Amps**

**208/230/460V 60 Hz.**  
**220/380/415V 50 Hz.**  
**575V 60 Hz.**

**Applications:** Use with magnetic starter. Excellent for retrofit on cranes, conveyors or fans. Can be used on single speed, multispeed and reversing, soft starting windmilling fans and soft plug reversing.

**Features:** Two adjustable starting torque settings for reversing or two speed applications. Adjustable ramp time from 2-30 seconds.

Amp Size	Max Hp at VAC			Catalog Number	List Price	Mult. Sym.
<b>Open/Panel – (Available in NEMA 1 and NEMA 12/3R enclosures)</b>						
	<b>208 Volt</b>	<b>230 Volt</b>	<b>460 Volt</b>			
8	1.5	2	5	D70CA	943	E7
16	3	5	10	D71CA	1,011	E7
30	7.5	10	20	D72CA	1,138	E7
55	15	20	40	D73CP	2,334	E7
70	20	25	50	D74CP	3,044	E7
135	40	50	100	D75CP	5,422	E7
	<b>220 Volt</b>	<b>380 Volt</b>	<b>415 Volt</b>			
8	2	3.5	4.0	D90CA	943	E7
16	4	6.5	7.5	D91CA	1,011	E7
30	8	13.5	15	D92CA	1,138	E7
	<b>575 Volt (can be used at 208/230/460 Volts)</b>					
8		5		D80CA	1,004	E7
16		15		D81CA	1,063	E7
30		25		D82CA	1,184	E7

### Three Phase Torque Control



**7 thru 40 Amps**  
**7 thru 24 Amps**

**208/230/460V 50/60 Hz.**  
**208/230/460/575V 50/60 Hz.**

**Applications:** Use with magnetic starter. A low cost way to reduce starting torque on three phase motors. An alternative to ballast resistors on cranes and conveyors. Suitable for reduced torque on start. Designed to be used with a magnetic contactor. Not suitable for starting high torque loads.

**Features:** Two adjustable starting torque settings for reversing or two speed applications. Adjustable starting ramp time to 7 seconds.

Amp Size	Max Hp at VAC				Catalog Number	List Price	Mult. Sym.
	208	230	460	575			
<b>Open/Panel – 208/230/460 Volts</b>							
7	1.5	2	3	—	T70EA	564	E7
12	3	3	7.5	—	T71EA	586	E7
24	5	7.5	15	—	T72EA	625	E7
40	10	10	30	—	T73EA	667	E7
<b>Open/Panel – 575 Volts (can be used at 208/230/460 Volts)</b>							
7	1.5	2	3	5	T80EA	606	E7
12	3	3	7.5	10	T81EA	625	E7
24	-	7.5	15	20	T82EA	667	E7

Farm Duty  
Motors

Definite Purpose  
Motors

Unit Handling  
Motors

Brake Motors

200 & 575 Volt  
Motors

IEC Frame  
Motors

50 Hertz  
Motors

Inverter/Vector  
Motors & Controls

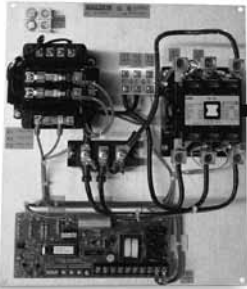
DC Motors  
and Controls

Soft Starters &  
Dynamic Brakes

### Multipurpose Dynamic Brake

5-500 HP  
5-600 HP

208-460V 50/60 Hz  
230-575V 50/60 Hz



**Applications:** Stopping coasting loads such as chippers, saws, cutting tools and conveyors. It can also be used to stop windmilling fans before starting.

**Features:** The Multipurpose Brake is a microprocessor based solid state brake designed to eliminate the problems common to traditional DC injection brakes. To eliminate blown fuses and welded contacts, the microprocessor senses when AC is no longer present before turning “on” the braking. A faster zero speed sensing circuit turns off the braking as soon as the motor stops to reduce motor heating.

#### Design Specifications

- Microprocessor based control
- SCR/Diode power circuit
- Line contactor
- Motor voltage sensing circuit
- Zero speed sensing
- Four braking time ranges
- Three operating modes
- Two adjustable braking magnitude potentiometers

#### Environmental and Operating Conditions

- 40 degrees C
- 1000 feet elevation
- Open panel design
- 208, 230, 460, 575 volt input line voltage
- 50/60 Hz input frequency
- Control voltage 120 VAC

#### Protective Features

- Shorted SCR protection
- Motor terminal voltage sensing
- Time delay to allow motor flux to collapse
- Motor starter interlock contact

Model Number	208/230/460 VAC 50-60 Hz. (a)	BQ7-016-CP	BQ7-030-CP	BQ7-055-CP	BQ7-080-CP	BQ7-135-CP	BQ7-160-CP	BQ7-250-CP	BQ7-420-CP	BQ7-600-CP		
Output Ratings	230/460/575 VAC 50-60 Hz. (a)	BQ8-016-CP	BQ8-030-CP	BQ8-055-CP	BQ8-080-CP	BQ8-135-CP	BQ8-160-CP	BQ8-250-CP	BQ8-420-CP	BQ8-600-CP		
Output Ratings	Hp Rating	230 VAC	5	10	20	30	50	60	100	150	250	
		460 VAC	10	20	40	60	100	125	200	350	500	
		575 VAC	10	30	50	75	125	150	250	400	600	
	Current Rating		16	30	55	80	135	160	250	420	600	
	Derate	Above 1000m (3300 Ft.) decrease amp rating 1% for each additional 100m (330 ft.) Above 45° (115°F) decrease amp rating 1.5% for additional °C (0.84%/°F)										
Input Rating	Frequency	50-60 Hz. ±5%										
	Voltage	control board 115 VAC +10% to -15%										
	Phase	Three Phase										
Control Spec.	Control Type	Microprocessor Based										
	Control Method	Common Anode SCR and diode to achieve DC										
	Control Power	External control transformer (supplied with certain models) 115 VAC 50-60 Hz. to the control board										
	Power Consumption	1.5 VA by the control board										
	Operating Modes		Master mode (brake controls starting and stopping of motor)									
			Prestop mode (prestop a windmilling load)									
			Basic mode (for replacement of existing dynamic brake)									
	Brake Timer Ranges	1-17 seconds; 15-32 seconds; 30-47 seconds; 45-62 seconds										
	Zero Speed Sensor	Selectable (brake disengages when motor stops rotating)										
	M Contact Rating	10 amp at 125 VAC										
Brake Magnitudes	Two adjustable brake magnitudes											
Status LEDs	Power/Ready/Run/Braking											
Peak Inverse Voltage	460 VAC controls - 1200V; 575 VAC controls - 1600V											
Heat Loss	1 watt per amp while braking											
Diagnostics	Error Indicators	Improper line voltages; Motor contactor failed to open; Brake contactor failed to open; Improper line frequency										
Dimensions	Height x Width x Depth	14.75" x 12.88" x 5"	14.75" x 12.88" x 6"	21" x 21" x 8"	33" x 33" x 9.75"							
Ambient Conditions	Temperature	Enclosed 0-45°C (32° to 113°F) open/panel 0 to 50°C (32° to 122°F)										

(a) For 50 Hz. applications use the brakes without a transformer and supply a separate 115 VAC supply to the brake control board and contactor. The brake can also be ordered as a BQ9 - XXX - XX for 380/400/415 VAC applications. It will have the control transformer mounted on the panel.



### Multipurpose Dynamic Brake

Amp Size	Max Hp at VAC			Catalog Number	List Price	Mult. Sym.
	208	230	460			
<b>Open/Panel</b>						
16	3	5	10	<b>BQ7-016-CP</b>	1,300	E7
30	10	10	25	<b>BQ7-030-CP</b>	1,380	E7
55	15	20	40	<b>BQ7-055-CP</b>	1,820	E7
80	25	30	60	<b>BQ7-080-CP</b>	2,727	E7
135	40	50	100	<b>BQ7-135-CP</b>	4,364	E7
160	50	60	125	<b>BQ7-160-CP</b>	5,120	E7
250	75	100	200	<b>BQ7-250-CP</b>	6,209	E7
420	125	150	350	<b>BQ7-420-CP</b>	8,708	E7
600	200	200	500	<b>BQ7-600-CP</b>	17,717	E7
<b>NEMA 12</b>						
16	3	5	10	<b>BQ7-016-CC</b>	1,465	E7
30	10	10	25	<b>BQ7-030-CC</b>	1,546	E7
55	15	20	40	<b>BQ7-055-CC</b>	1,985	E7
80	25	30	60	<b>BQ7-080-CC</b>	2,894	E7
135	40	50	100	<b>BQ7-135-CC</b>	4,724	E7
160	50	60	125	<b>BQ7-160-CC</b>	5,483	E7
250	75	100	200	<b>BQ7-250-CC</b>	6,573	E7
420	125	150	350	<b>BQ7-420-CC</b>	10,676	E7
600	200	200	500	<b>BQ7-600-CC</b>	19,684	E7

### Application Notes

- Stopping Time** The Baldor Dynamic Brake can stop the motor faster than the motor will start (at full volts). However, this could damage the motor. It is best that the motor should not stop any faster than the motor starts. A dynamic brake should never be set to stop a load faster than the load starts. Stopping the motor too fast or too frequently can cause motor overheating and possible failure.
- Motor Sizing** Each stop with a dynamic brake should be treated as a start for calculating duty cycle and for sizing the motor. The brake does not have a duty cycle limit.
- Holding Brake** A solid state brake is not a substitute for a mechanical holding brake.
- Motor Types** The Multipurpose Brake has been designed to operate on 3-phase induction motors.
- Brake Sizing** Use the motor FLA and operating voltage to size the brake. All Baldor Multipurpose Brakes can be used on high inertia loads. Extended stopping times are available for use on high inertia loads.

**WARNING:** A DC injection brake is not a replacement for a mechanical or safety brake for emergency stopping

### Single Phase Electronic Motor Brake



**Applications:** Efficient alternative to mechanical brakes, suitable for woodworking machinery, machine tools, bench grinders and buffers. Ideal for OEM equipment or for retrofitting into an existing application.

**Features:** Automatic braking for single-phase motors. User adjustable torque and brake time. Prevents restarts after power has been removed for 7 seconds. Accommodates frequent start/stop applications. Available in panel mount for system integration or with line cord, plug and receptacle in a NEMA 1 enclosure for easy installation.

Catalog Number	Horsepower	Amps	Voltage	List Price	Mult. Sym.	Notes (a)
<b>Panel Mount</b>						
<b>BQ1-015-CP</b>	1	15	110-125	691	E7	33
<b>BQ2-015-CP</b>	2	15	208-230	691	E7	33
<b>NEMA 1</b>						
<b>BQ1-015-CC</b>	1	15	110-125	892	E7	33
<b>BQ2-015-CC</b>	2	15	208-230	892	E7	33

**SUFFIX:** CP = 6"x5"x3" module without cord, receptacle, switch or enclosure.  
 CC = 8"x8"x4.5" NEMA 1 enclosure with 9ft. cord, receptacle and switch.

(a) See notes on inside back flap.

Farm Duty Motors

Definite Purpose Motors

Unit Handling Motors

Brake Motors

200 & 575 Volt Motors

IEC Frame Motors

50 Hertz Motors

Inverter/Vector Motors & Controls

DC Motors and Controls

Soft Starters & Dynamic Brakes



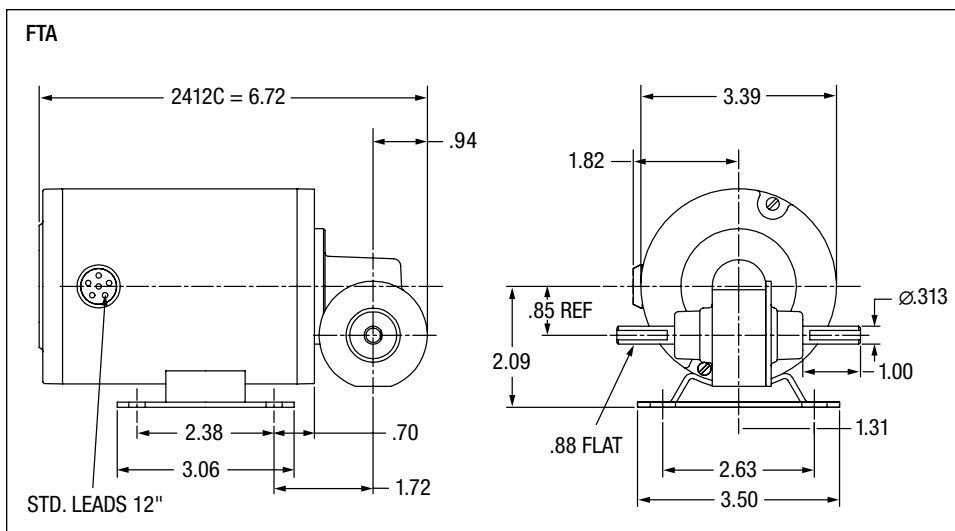
GC24003 Shown  
FTA Style

**Applications:** General purpose fixed speed including conveyors, material handling equipment and packaging machinery.

**Features:** PSC motor design providing 100% starting torque. High strength bronze gearing, hardened and ground worm for quiet operation. High performance low friction, bidirectional motor seals. Factory lubricated with synthetic grease, no routine maintenance is required. Can be mounted in all positions including vertical motor below gearbox.

Input Motor Hp	Output RPM 50/60 Hz	Gear Ratio	Max. Safe Torque In. Lbs.	Catalog Number	List Price	Mult. Sym.	Ap'x. Shpg. Wgt.	Motor Type & Gear Style	Enclosure	Voltage	Notes <sup>(b)</sup>
<b>Single Phase</b>											
1/50	59/71.4	24:1	7.5	<b>GC24003</b>	354	DS	7	2412C-FTA	TENV	115	19,20

<sup>(b)</sup> See notes on inside back flap.





**Applications:** General purpose fixed speed including conveyors, material handling equipment and packaging machinery.

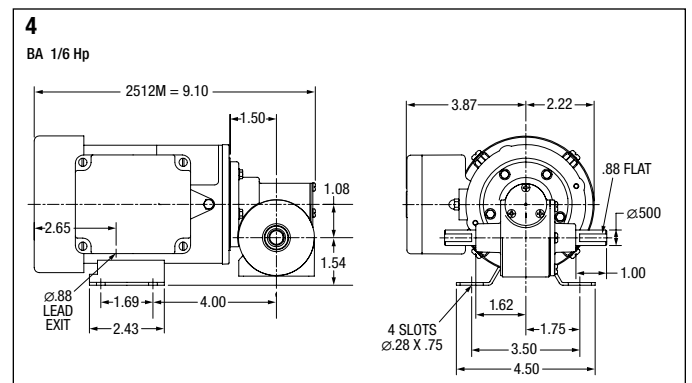
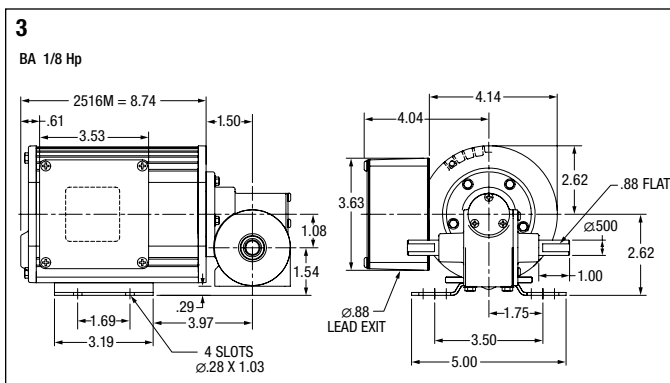
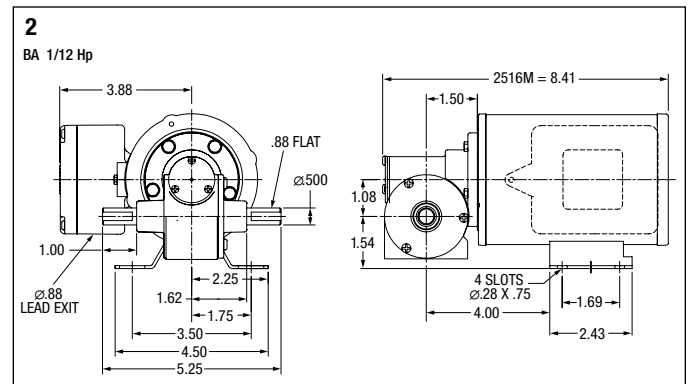
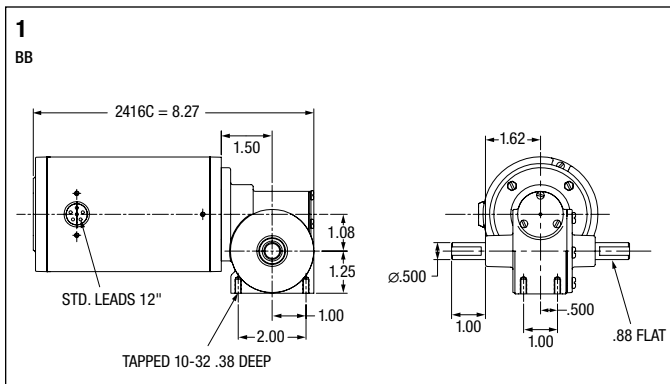
**Features:** Three and single-phase motor designs. High strength bronze gearing, hardened and ground worm for quiet operation. High performance low friction, bidirectional motor seals. Factory lubricated for life, no routine maintenance is required. Internal oil expansion bladder allows for multiple mounting positions, without relocating a breather vent.

Input Motor Hp	Output RPM 50/60 Hz	Gear Ratio	Max. Safe Torque In. Lbs.	Catalog (a) Number	List Price	Mult. Sym.	Ap'x. Shpg. Wgt.	Motor Type & Gear Style	Enclosure	Voltage	Notes (b)	Drawing Number
<b>Single Phase</b>												
1/20	35/42	40:1	30	<b>GC24310</b>	439	DS	10	2416C-BB	TENV	115	19,20,78	1
	68/82.7	20:1	24	<b>GC24306</b>	439	DS	10	2416C-BB	TENV	115	19,20,78	1
	133/160	10:1	14	<b>GC24302</b>	439	DS	10	2416C-BB	TENV	115	19,20,78	1
<b>Three Phase</b>												
1/12	95/115	15:1	30	<b>GM25026</b>	473	DS	15	2516M-BA	TENV	190/380//230/460	19,20	2
1/8	143/174	10:1	30	<b>GM25024</b>	487	DS	15	2516M-BA	TENV	190/380//230/460	19,20	3
	285/345	5:1	15	<b>GM25022</b>	487	DS	15	2516M-BA	TENV	190/380//230/460	19,20	3
1/6	230	15:1	27	<b>GM3329</b>	614	DS	15	2512M-BA	TEFC	208-230/460	20,33	4

(a) Vertical motor below gearhead not recommended.

Avoiding those positions where the high speed oil seal is immersed in oil, will provide greater security against high speed input seal wear.

(b) See notes on inside back flap.





GC24208 Shown  
DB Style

**Applications:** General purpose fixed speed including conveyors, material handling equipment and packaging machinery.

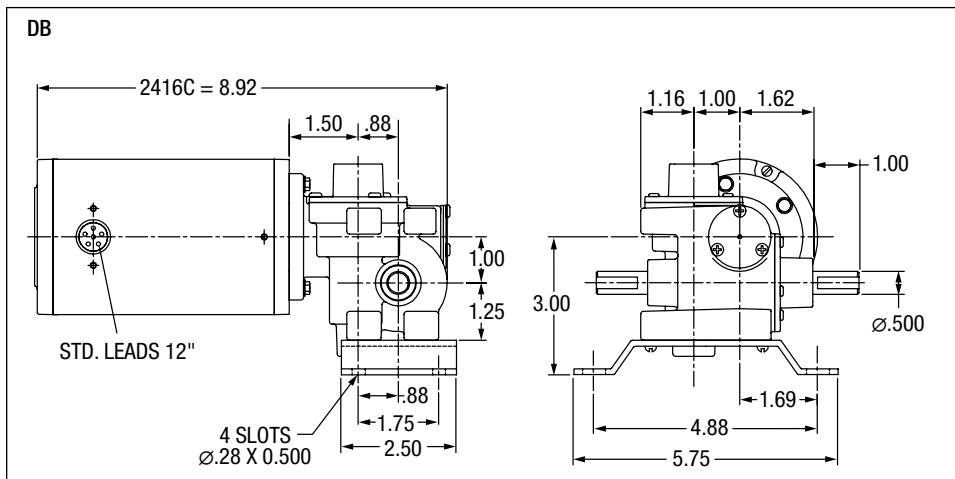
**Features:** PSC motor design provides 100% starting torque. High strength bronze gearing, hardened and ground worm for quiet operation. High performance low friction, bidirectional motor seals. Factory lubricated for life, no maintenance required. Internal oil expansion bladder allows for multiple mounting positions, without relocating a bladder vent.

Input Motor Hp	Output RPM 50/60 Hz	Gear Ratio	Max. Safe Torque In. Lbs.	Catalog <sup>(a)</sup> Number	List Price	Mult. Sym.	Ap'x. Shpg. Wgt.	Motor Type & Gear Style	Enclosure	Voltage	Notes <sup>(b)</sup>
<b>Single Phase</b>											
1/40	11.8/14	117:1	40	<b>GC24208</b>	471	DS	10	2412C-DB	TENV	115	19,20,78

<sup>(a)</sup> Vertical motor below gearhead not recommended.

Avoiding those positions where the high speed oil seal is immersed in oil, will provide greater security against high speed input seal wear.

<sup>(b)</sup> See notes on inside back flap.





GC24314 Shown  
EB Style

**Applications:** General purpose fixed speed including conveyors, material handling equipment and packaging machinery.

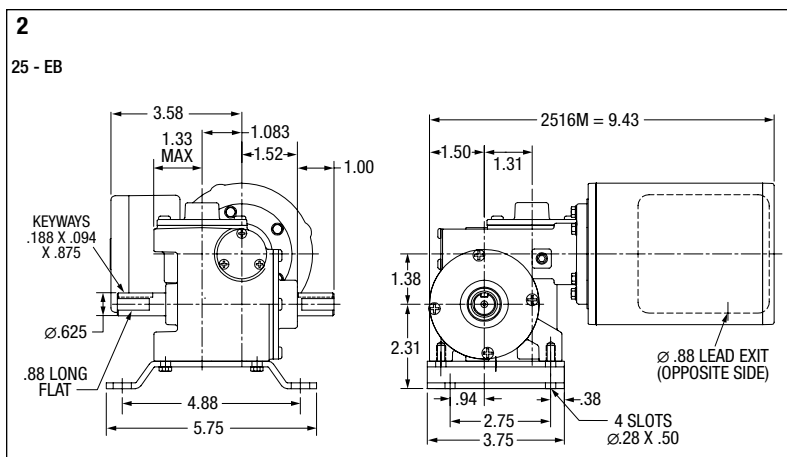
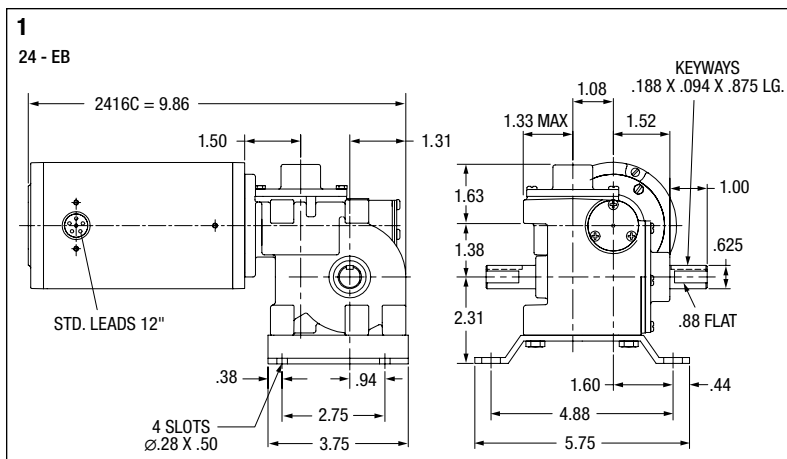
**Features:** Three and single-phase motor designs. High strength bronze gearing, hardened and ground worm for quiet operation. High performance low friction, bidirectional motor seals. Factory lubricated for life, no maintenance required. Internal oil expansion bladder allows for multiple mounting positions, without relocating a breather vent.

Input Motor Hp	Output RPM 50/60 Hz	Gear Ratio	Max. Safe Torque In. Lbs.	Catalog Number <sup>(a)</sup>	List Price	Mult. Sym.	Ap'x. Shpg. Wgt.	Motor Type & Gear Style	Enclosure	Voltage	Notes <sup>(b)</sup>	Drawing Number
<b>Single Phase</b>												
1/13	7.7/9.3	180:1	175	<b>GC24314</b>	602	DS	10	2416C-EB	TENV	115	19,20,78	1
1/20	12.7/16	100:1	100	<b>GC24312</b>	602	DS	10	2416C-EB	TENV	115	19,20,78	1
<b>Three Phase</b>												
1/12	1.5	1200:1	175	<b>GM25021</b>	637	DS	15	2516M-EB	TENV	208/230-460	20,33	2
	11.3	150:1	125	<b>GM25016</b>	637	DS	15	2516M-EB	TENV	208/230-460	20,33	2

<sup>(a)</sup> Vertical motor below gearhead not recommended.

Avoiding those positions where the high speed oil seal is immersed in oil, will provide greater security against high speed input seal wear.

<sup>(b)</sup> See notes on inside back flap.





GC25280 Shown  
G Style

**Applications:** General purpose fixed speed including conveyors, material handling equipment and packaging machinery.

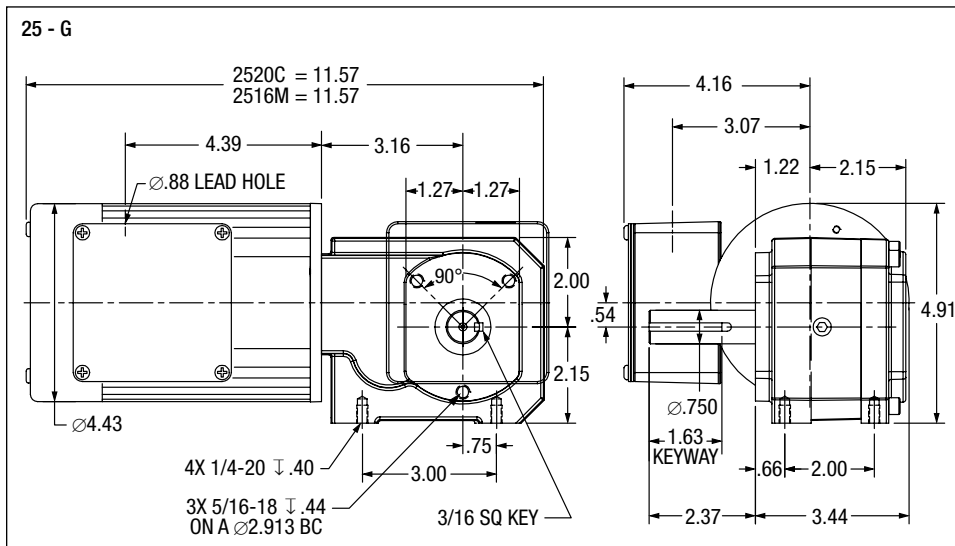
**Features:** Three and single-phase motor designs. PSC, single-phase gearmotors supplied with capacitor and conduit box. High strength bronze, ground worm first-stage and helical output stage. High performance low friction, bidirectional motor seals. Factory lubricated for life, no maintenance required. Completely sealed from the environment.

Input Motor Hp	Output RPM 60 Hz	Gear Ratio	Max. Safe Torque In. Lbs.	Catalog (a) Number	List Price	Mult. Sym.	Ap'x. Shpg. Wgt.	Motor Type & Gear Style	Enclosure	Voltage	Notes (b)
<b>Single Phase</b>											
1/6	4.9/5.9	280:1	400	<b>GC25280</b>	769	DS	15	2520C-G	TEFC	115	19,20
	7.4/8.9	190:1	385	<b>GC25190</b>	769	DS	15	2520C-G	TEFC	115	19,20
	11.6/14	120:1	300	<b>GC25120</b>	769	DS	15	2520C-G	TEFC	115	19,20
	17.5/21	80:1	290	<b>GC25080</b>	769	DS	15	2520C-G	TEFC	115	19,20
	23/28	60:1	220	<b>GC25060</b>	769	DS	15	2520C-G	TEFC	115	19,20
<b>Three Phase</b>											
1/6	4.9/5.9	280:1	400	<b>GM25280</b>	837	DS	12	2516M-G	TEFC	190/380//230/460	19,20
	7.3/8.9	190:1	385	<b>GM25190</b>	837	DS	12	2516M-G	TEFC	190/380//230/460	19,20
	11.3/13.3	120:1	300	<b>GM25120</b>	837	DS	10	2516M-G	TEFC	190/380//230/460	19,20
	16.5/20.4	80:1	310	<b>GM25080</b>	837	DS	12	2516M-G	TEFC	190/380//230/460	19,20
	22.5/27.5	60:1	250	<b>GM25060</b>	837	DS	12	2516M-G	TEFC	190/380//230/460	19,20

(a) Vertical motor below gearhead not recommended.

Avoiding those positions where the high speed oil seal is immersed in oil, will provide greater security against high speed input seal wear.

(b) See notes on inside back flap.







GC24307 Shown  
KA Style

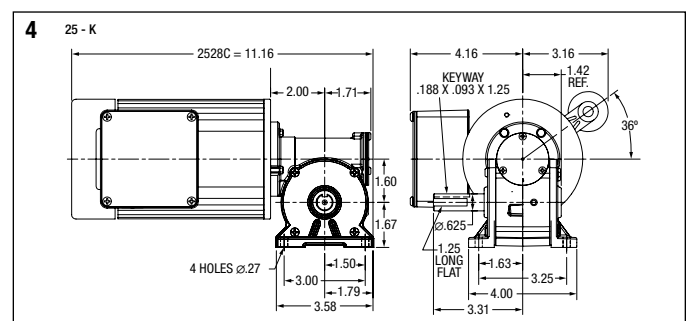
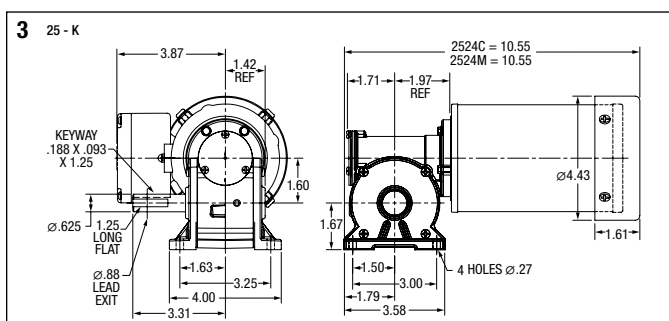
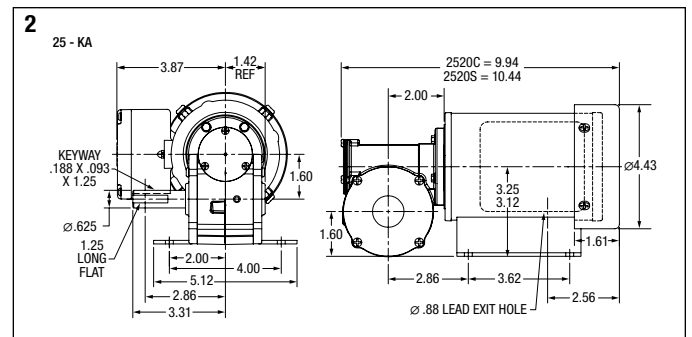
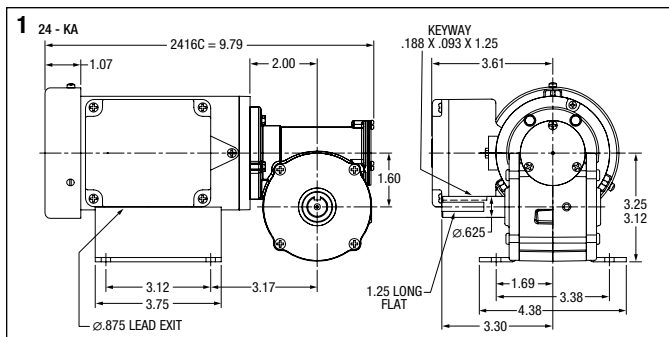
**Applications:** General purpose fixed speed including conveyors, material handling equipment and packaging machinery.

**Features:** Three and single-phase motor designs. High strength bronze gearing, hardened and ground worm for quiet operation. High performance low friction, bidirectional motor seals. Factory lubricated for life, no maintenance required. Internal oil expansion bladder allows for multiple mounting positions, without relocating a breather vent.

Input Motor Hp	Output RPM 50/60 Hz	Gear Ratio	Max. Safe Torque In. Lbs.	Catalog Number <sup>(a)</sup>	List Price	Mult. Sym.	Ap'x. Shpg. Wgt.	Motor Type & Gear Style	Enclosure	Voltage	Notes <sup>(b)</sup>	Drawing Number
<b>Single Phase</b>												
1/15	23/28	60:1	45	<b>GC24307</b>	469	DS	11	2416C-KA	TEFC	110//115	19,20	1
	35/42	40:1	49	<b>GC24308</b>	469	DS	11	2416C-KA	TEFC	110//115	19,20	1
	68/82.5	20:1	32	<b>GC24309</b>	469	DS	11	2416C-KA	TEFC	110//115	19,20	1
	135/165	10:1	18	<b>GC24311</b>	469	DS	11	2416C-KA	TEFC	110//115	19,20	1
1/8	34/41	40:1	90	<b>GC25004</b>	554	DS	16	2520C-KA	TEFC	110//115	19,20	2
	46/55	30:1	78	<b>GC25006</b>	554	DS	16	2520C-KA	TEFC	110//115	19,20	2
	69/82	20:1	57	<b>GC25007</b>	554	DS	16	2520C-KA	TEFC	110//115	19,20	2
	130/160	10:1	33	<b>GC25008</b>	554	DS	16	2520C-KA	TEFC	110//115	19,20	2
	36/43	40:1	90	<b>GC25009</b>	554	DS	15	2520S-KA	TEFC	110//115	19,20	2
	48/57	30:1	78	<b>GC25011</b>	554	DS	15	2520S-KA	TEFC	110//115	19,20	2
	71/86	20:1	57	<b>GC25012</b>	554	DS	15	2520S-KA	TEFC	110//115	19,20	2
	140/170	10:1	33	<b>GC25014</b>	554	DS	15	2520S-KA	TEFC	110//115	19,20	2
1/6	33/41	40:1	130	<b>GC3320</b>	612	DS	15	2524C-K	TEFC	110//115	19,20	3
	67/82	20:1	75	<b>GC3321</b>	612	DS	15	2524C-K	TEFC	110//115	19,20	3
	135/165	10:1	43	<b>GC3322</b>	612	DS	15	2524C-K	TEFC	110//115	19,20	3
	265/320	5:1	23	<b>GC3324</b>	612	DS	15	2524C-K	TEFC	110//115	19,20	3
	35/42	40:1	130	<b>GC3326</b>	612	DS	21	2528L-K	TEFC	110//115	19,20	4
	71/85	20:1	75	<b>GC3327</b>	612	DS	21	2528L-K	TEFC	110//115	19,20	4
	135/165	10:1	43	<b>GC3328</b>	612	DS	21	2528L-K	TEFC	110//115	19,20	4
280/335	5:1	23	<b>GC3329</b>	612	DS	21	2528L-K	TEFC	110//115	19,20	4	
<b>Three Phase</b>												
1/4	35/42.8	40:1	170	<b>GM3340</b>	740	DS	24	2524M-K	TEFC	190/380//230/460	19,20	3
	70/85	20:1	112	<b>GM3345</b>	740	DS	24	2524M-K	TEFC	190/380//230/460	19,20	3
	140/170	10:1	72	<b>GM3347</b>	740	DS	24	2524M-K	TEFC	190/380//230/460	19,20	3
	279/340	5:1	36	<b>GM3349</b>	740	DS	24	2524M-K	TEFC	190/380//230/460	19,20	3

(a) Vertical motor below gearhead not recommended. Avoiding those positions where the high speed oil seal is immersed in oil, will provide greater security against high speed input seal wear.

(b) See notes on inside back flap.





GC24322 Shown  
CB Style

**Applications:** General purpose fixed speed including conveyors, material handling equipment and packaging machinery.

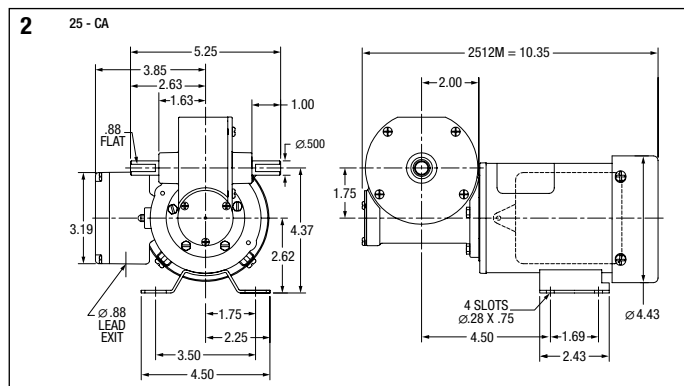
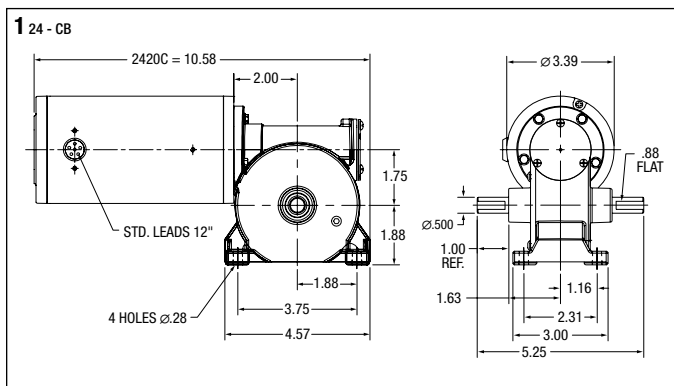
**Features:** Three and single-phase designs. High strength bronze gearing, hardened and ground worm for quiet operation. High performance low friction, bidirectional motor seals. Factory lubricated for life, no maintenance required. Internal oil expansion bladder allows for multiple mounting positions, without relocating a breather vent.

Input Motor Hp	Output RPM 50/60 Hz	Gear Ratio	Max. Safe Torque In. Lbs.	Catalog Number (a)	List Price	Mult. Sym.	Ap'x. Shpg. Wgt.	Motor Type & Gear Style	Enclosure	Voltage	Notes (b)	Drawing Number
<b>Single Phase</b>												
1/12	23/27.7	58:1	75	<b>GC24322</b>	471	DS	10	2420C-CB	TENV	110//115	19,20,78	1
	41/49.6	33:1	62	<b>GC24320</b>	471	DS	13	2420C-CB	TENV	110//115	19,20,78	1
	60/71	22.5	49	<b>GC24318</b>	471	DS	13	2420C-CB	TENV	110//115	19,20,78	1
	123/148	11:1	25	<b>GC24316</b>	471	DS	13	2420C-CB	TENV	110//115	19,20,78	1
<b>Three Phase</b>												
1/6	156	22.5:1	42	<b>GM3331</b>	644	DS	24	2512M-CA	TEFC	208-230/460	20,33	2

(a) Vertical motor below gearhead not recommended.

Avoiding those positions where the high speed oil seal is immersed in oil, will provide greater security against high speed input seal wear.

(b) See notes on inside back flap.



### Inverter Gear Motor - 3/8 Hp Right Angle -TEFC

**Applications:** Ideally suited for conveyors, material handling, packaging equipment applications requiring adjustable speed and no maintenance. Available in a broad range of gear ratios to meet your demanding application needs.

**Features:** Superior insulation system designed to comply with NEMA MG-1 part 31 for inverter power. IP44 environmental protection. Designed for use on Baldor Series 15J, 15P and Series 5 Inverters operating on 230 volts output. Both Parallel shaft and Right Angle gearmotors are lubricated for life and require no routine maintenance. Right Angle gearmotors feature our internal oil expansion bladder which eliminates the need for a breather while allowing the gearmotor to be mounted in any position (see note below).



Input Motor Hp	Output RPM 60 Hz.	Gear Ratio	Speed Range	Maximum Safe Torque In-Lbs @ 60 Hz	Catalog Number	List Price	Mult. Sym.	Ap'x. Shpg. Wgt.	Motor Type & Gear Style	Volt Code
<b>Right Angle</b>										
3/8	22	75	3.4-33	315	<b>IDGM2509</b>	675	E2	22	2528M-K	C
	28	60	4.5-41	252	<b>IDGM2508</b>	675	E2	22	2528M-K	C
	41	40	6.6-62	228	<b>IDGM2506</b>	675	E2	22	2528M-K	C
	83	20	12-123	138	<b>IDGM2503</b>	675	E2	22	2528M-K	C
	165	10	23.246	105	<b>IDGM2501</b>	675	E2	22	2528M-K	C
	330	5	43-490	68	<b>IDGM2500</b>	675	E2	22	2528M-K	C

**NOTE:** Avoiding those positions where the high speed oil seal is immersed in oil, will provide greater security against seal wear.

Vertical motor below gearbox mounting is possible with modification, contact Baldor for details.

Voltage: @ 60 Hz: C = 230 volts



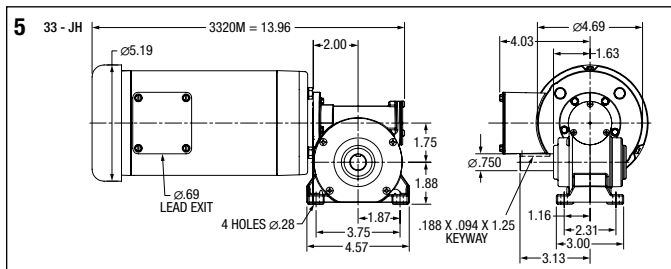
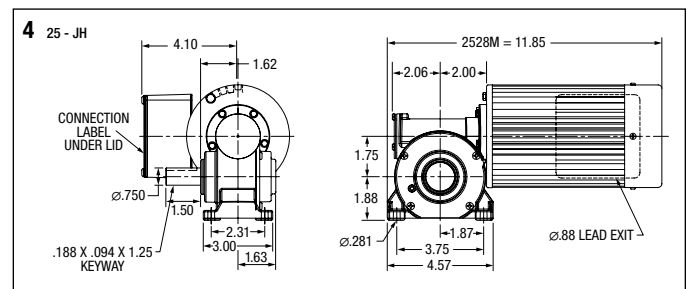
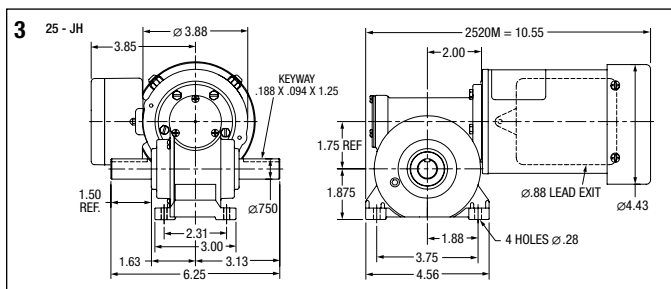
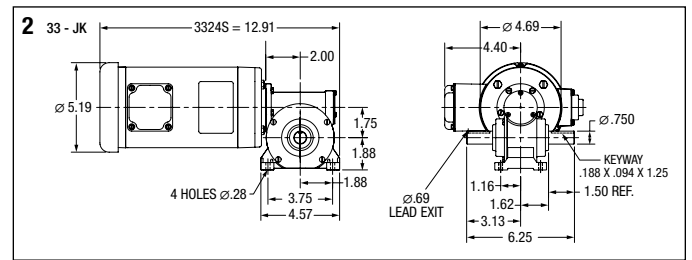
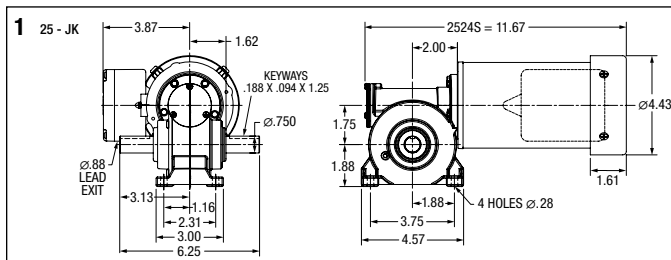
GM2503 Shown  
JH Style

**Applications:** General purpose fixed speed including conveyors, material handling equipment and packaging machinery.

**Features:** Three and single-phase motor designs. High strength bronze gearing, hardened and ground worm for quiet operation. High performance low friction, bidirectional motor seals. Factory lubricated for life, no maintenance required. Internal oil expansion bladder allows for multiple mounting positions, without relocating a breather vent.

Input Motor Hp	Output RPM 50/60 Hz	Gear Ratio	Max. Safe Torque In. Lbs.	Catalog (a) Number	List Price	Mult. Sym.	Ap'x. Shpg. Wgt.	Motor Type & Gear Style	Enclosure	Voltage	Notes (b)	Drawing Number
<b>Single Phase</b>												
1/8	30/37	45:1	125	<b>GC25020</b>	561	DS	16	2524S-JK	TEFC	115	19,20	1
	43/50	33:1	100	<b>GC25015</b>	561	DS	16	2524S-JK	TEFC	115	19,20	1
	62/74	22.5:1	79	<b>GC25010</b>	561	DS	16	2524S-JK	TEFC	115	19,20	1
1/4	126/152	11:1	41	<b>GC25005</b>	561	DS	16	2524S-JK	TEFC	115	19,20	1
	74	22.5:1	125	<b>GC3330</b>	612	DS	26	3324S-JK	TEFC	115	33	2
	151	11:1	70	<b>GC3325</b>	612	DS	26	3324S-JK	TEFC	115	33	2
<b>Three Phase</b>												
1/6	38	45:1	125	<b>GM3337</b>	744	DS	16	2520M-JK	TEFC	208-230/460	20,33	3
	75	22.5:1	85	<b>GM3334</b>	744	DS	24	2520M-JK	TEFC	208-230/460	20,33	3
1/4	104	33:1	75	<b>GM3338</b>	744	DS	24	2520M-JK	TEFC	208-230/460	20,33	3
1/3	34	50:1	256	<b>GM2507</b>	757	DS	28	2528M-JH	TEFC	208-230/460	20,33	4
	42	40:1	230	<b>GM2506</b>	757	DS	28	2528M-JH	TEFC	208-230/460	20,33	4
	84	20:1	155	<b>GM2503</b>	757	DS	28	2528M-JH	TEFC	208-230/460	20,33	4
	168	10:1	90	<b>GM2501</b>	757	DS	28	2528M-JH	TEFC	208-230/460	20,33	4
1/2	35	50:1	295	<b>GM3307</b>	762	DS	35	3320M-JH	TEFC	208-230/460	33	5
	44	40:1	280	<b>GM3306</b>	762	DS	35	3320M-JH	TEFC	208-230/460	33	5
	88	20:1	200	<b>GM3303</b>	762	DS	35	3320M-JH	TEFC	208-230/460	33	5
	175	10:1	135	<b>GM3301</b>	762	DS	35	3320M-JH	TEFC	208-230/460	33	5

(a) Vertical motor below gearhead not recommended. Avoiding those positions where the high speed oil seal is immersed in oil, will provide greater security against high speed input seal wear. (b) See notes on inside back flap.





GHL and GHM Shown  
H Style

**Applications:** General purpose fixed speed including conveyors, material handling equipment and packaging machinery.

**Features:** Three and single-phase motor designs. High strength bronze gearing, hardened and ground worm for quiet operation. Permanently lubricated with synthetic Klubersynth UH1-6-460 oil, USDA food grade lubrication for H1 applications. Internal oil expansion bladder allows for multiple mounting positions, without relocating a breather vent. Double output hollow output bore is 1.00" with keyway for greater mounting flexibility. Supplied with torque arm and cover for exposed end of shaft.

Input Motor Hp	Output RPM 60 Hz	Gear Ratio	Max. Safe Torque In. Lbs.	Catalog (a) Number	List Price	Mult. Sym.	Ap'x. Shpg. Wgt.	Motor Type & Gear Style	Enclosure	Voltage	Notes (b)
<b>Single Phase</b>											
1/2	29	60:1	600	<b>GHL35060</b>	981	DS	45	3421L-H	TEFC	115/230	33
	58	30:1	350	<b>GHL35030</b>	981	DS	45	3421L-H	TEFC	115/230	33
	88	20:1	250	<b>GHL35020</b>	981	DS	45	3421L-H	TEFC	115/230	33
	175	10:1	150	<b>GHL35010</b>	981	DS	45	3421L-H	TEFC	115/230	33
3/4	58	30:1	550	<b>GHL37530</b>	1,055	DS	50	3428LC-H	TEFC	115/230	33
	88	20:1	420	<b>GHL37520</b>	1,055	DS	50	3428LC-H	TEFC	115/230	33
	175	10:1	230	<b>GHL37510</b>	1,055	DS	50	3428LC-H	TEFC	115/230	33
1	58	30:1	750	<b>GHL31030</b>	1,204	DS	55	3524L-H	TEFC	115/230	33
	88	20:1	550	<b>GHL31020</b>	1,204	DS	55	3524L-H	TEFC	115/230	33
	175	10:1	300	<b>GHL31010</b>	1,204	DS	55	3524L-H	TEFC	115/230	33
<b>Three Phase</b>											
1/2	29	60:1	600	<b>GHM35060</b>	946	DS	40	3416M-H	TEFC	230/460	30,33
	35	50:1	609	<b>GHM35050</b>	946	DS	40	3416M-H	TEFC	230/460	30,33
	44	40:1	528	<b>GHM35040</b>	946	DS	27	3416M-H	TEFC	230/460	30,33
	58	30:1	350	<b>GHM35030</b>	946	DS	40	3416M-H	TEFC	230/460	30,33
	87	20:1	200	<b>GHM35020</b>	946	DS	40	3416M-H	TEFC	230/460	30,33
	174	10:1	135	<b>GHM35010</b>	946	DS	40	3416M-H	TEFC	230/460	30,33
3/4	58	30:1	550	<b>GHM37530</b>	973	DS	42	3420M-H	TEFC	208-230/460	33
	88	20:1	420	<b>GHM37520</b>	973	DS	42	3420M-H	TEFC	208-230/460	33
	175	10:1	230	<b>GHM37510</b>	973	DS	42	3420M-H	TEFC	208-230/460	33
1	58	30:1	750	<b>GHM31030</b>	999	DS	45	3426M-H	TEFC	208-230/460	33
	88	20:1	550	<b>GHM31020</b>	999	DS	45	3426M-H	TEFC	208-230/460	33
	175	10:1	300	<b>GHM31010</b>	999	DS	45	3426M-H	TEFC	208-230/460	33

(a) Vertical motor below gearhead not recommended.

Avoiding those positions where the high speed oil seal is immersed in oil, will provide greater security against high speed input seal wear.

(b) See notes on inside back flap.

### H Gearbox Accessories



Baldor offers optional base and shaft kits for H style gearmotors. Adding a base and shaft kit allows them to be used in applications requiring a right-angle shaft extension. The shaft can be used for either right or left hand output applications.

Catalog Number	Description	List Price	Mult. Sym.	Ap'x. Shpg. Wgt.
<b>B19H71</b>	Horiz Base Kit	71	A8	1
<b>SH10HS</b>	Output Shaft Kit	22	A8	2



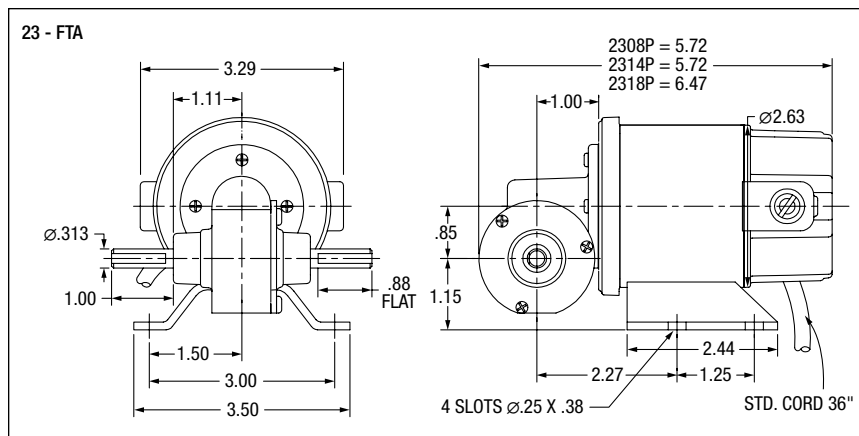
GP231003 Shown  
FTA Style

**Applications:** Conveyors, medical and laboratory equipment, printing presses, commercial ovens, machine tools and other applications requiring adjustable speed.

**Features:** DCPM motor provides exceptional starting torque, adjustable speed, and predictable performance over a wide range of operating conditions. Bronze sleeve bearing on output for smooth torque transmission. High strength bronze gearing and hardened and ground worm for quiet operation. Hardened and ground worm for quiet operation. Permanently lubricated with synthetic grease lubrication, can be mounted in all positions including vertical motor below gearhead.

Input Motor Hp	Output Base Speed	Gear Ratio	Max. Safe Torque In. Lbs.	Catalog Number	List Price	Mult. Sym.	Ap'x. Shpg. Wgt.	Motor Type & Gear Style	Voltage D.C. Armature	Full Load Amperage Armature	Notes (a)
<b>90 VDC</b>											
1/50	87	20:1	7.3	<b>GP231003</b>	355	DS	5	2308P-FTA	90	0.34	20
1/25	140	12:1	11	<b>GP231002</b>	383	DS	5	2314P-FTA	90	0.54	20
1/17	312	8:1	6	<b>GP231001</b>	383	DS	5	2314P-FTA	90	0.62	20
1/25	344	5:1	5.1	<b>GP232001</b>	383	DS	5	2314P-FTA	90	0.49	20

(a) See notes on inside back flap.









GP232002 Shown  
BA Style

**Applications:** Conveyors, medical and laboratory equipment, printing presses, commercial ovens, machine tools and other applications requiring adjustable speed.

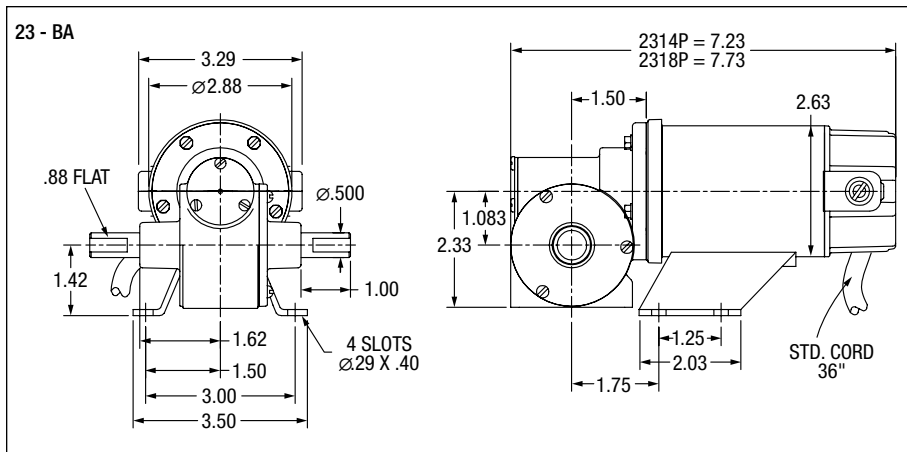
**Features:** DCPM motor provides exceptional starting torque, adjustable speed, and predictable performance over a wide range of operating conditions. Permagliding sleeve bearing on output for smooth torque transmission. High strength bronze gearing, hardened and ground worm for quiet operation. High performance low friction, bidirectional motor seals. Permanently lubricated with synthetic oil. Internal oil expansion chamber allows for all position mounting without relocating a breather vent.

Input Motor Hp	Output Base Speed	Gear Ratio	Max. Safe Torque In. Lbs.	Catalog Number (a)	List Price	Mult. Sym.	Ap'x. Shpg. Wgt.	Motor Type & Gear Style	Voltage D.C. Armature	Full Load Amperage Armature	Notes (b)
<b>90 VDC</b>											
1/22	40	40:1	30	GP232002	473	DS	7	2314P-BA	90	0.60	20
1/16	60	30:1	33	GP233003	490	DS	8	2318P-BA	90	0.72	20
	90	20:1	27	GP233002	490	DS	7	2318P-BA	90	0.75	20
	120	15:1	22	GP233007	490	DS	7	2318P-BA	90	0.78	20
	173	10:1	17	GP233001	490	DS	7	2318P-BA	90	0.85	20
<b>180 VDC</b>											
1/16	60	30:1	33	GP233023	490	DS	7	2318P-BA	180	0.42	20
1/14	86	20:1	28	GP233022	490	DS	7	2318P-BA	180	0.42	20
1/16	175	10:1	17	GP233021	490	DS	7	2318P-BA	180	0.42	20

(a) Vertical motor below gearhead not recommended.

Avoiding those positions where the high speed oil seal is immersed in oil, will provide greater security against high speed input seal wear.

(b) See notes on inside back flap.





GP232004 Shown  
DA Style

**Applications:** Conveyors, medical and laboratory equipment, printing presses, commercial ovens, machine tools and other applications requiring adjustable speed.

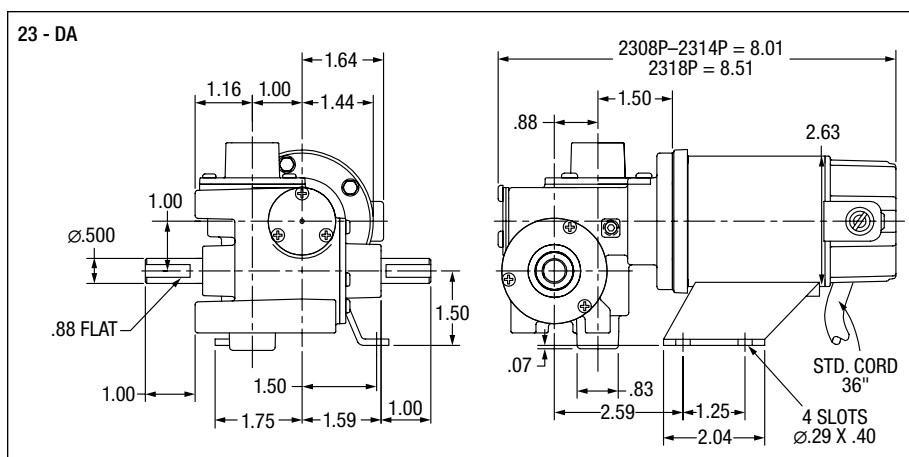
**Features:** DCPM motor provides exceptional starting torque, adjustable speed and predictable operating conditions. High strength bronze gearing for increased torque capacity. High performance low friction, bidirectional motor seals. Permanently lubricated with synthetic grease lubrication, can be mounted in all positions including vertical motor below gearhead.

Input Motor Hp	Output Base Speed	Gear Ratio	Max. Safe Torque In. Lbs.	Catalog (a) Number	List Price	Mult. Sym.	Ap'x. Shpg. Wgt.	Motor Type & Gear Style	Voltage D.C. Armature	Full Load Amperage Armature	Notes (b)
<b>90 VDC</b>											
1/66	1.7	1100:1	75	<b>GP232004</b>	529	DS	7	2308P-DA	90	0.18	20
1/49	3.7	660:1	75	<b>GP232005</b>	529	DS	7	2308P-DA	90	0.34	20
1/27	8.7	310:1	66	<b>GP232006</b>	529	DS	7	2314P-DA	90	0.44	20
1/15	19.6	130:1	64	<b>GP232007</b>	552	DS	7	2314P-DA	90	0.68	20
<b>180 VDC</b>											
1/83	1.9	1100:1	75	<b>GP233020</b>	552	DS	7	2314P-DA	180	0.11	20
1/31	4.1	660:1	75	<b>GP233029</b>	552	DS	7	2314P-DA	180	0.20	20
1/22	8.5	310:1	66	<b>GP233028</b>	552	DS	7	2314P-DA	180	0.26	20
1/20	19.7	130:1	64	<b>GP233027</b>	576	DS	7	2314P-DA	180	0.31	20

(a) Vertical motor below gearhead not recommended.

Avoiding those positions where the high speed oil seal is immersed in oil, will provide greater security against high speed input seal wear.

(b) See notes on inside back flap.





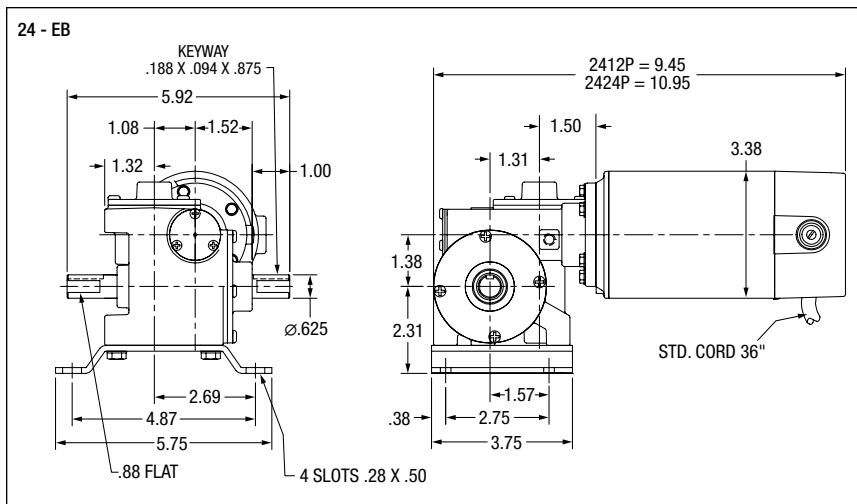
GP7409 Shown  
EB Style

**Applications:** Conveyors, medical and laboratory equipment, printing presses, commercial ovens, machine tools and other applications requiring adjustable speed.

**Features:** DCPM motor provides exceptional starting torque, adjustable speed, and predictable operating conditions. High strength bronze gearing for increased torque capacity. High performance low friction, bidirectional motor seals. Permanently lubricated with synthetic grease lubrication, can be mounted in all positions including vertical motor below gearhead.

Input Motor Hp	Output Base Speed	Gear Ratio	Max. Safe Torque In. Lbs.	Catalog Number	List Price	Mult. Sym.	Ap'x. Shpg. Wgt.	Motor Type & Gear Style	Voltage D.C. Armature	Full Load Amperage Armature	Notes (a)
<b>90 VDC</b>											
1/8	6	600:1	150	<b>GP7304</b>	776	DS	13	2412P-EB	90	1.00	20
1/4	20	180:1	175	<b>GP7409</b>	740	DS	15	2424P-EB	90	2.00	20
<b>180 VDC</b>											
1/4	20	180:1	175	<b>GP7429</b>	764	DS	15	2424P-EB	180	1.00	20

(a) See notes on inside back flap.





GP24280 Shown  
G Style

**Applications:** Conveyors, medical and laboratory equipment, printing presses, commercial ovens, machine tools and other applications requiring adjustable speed.

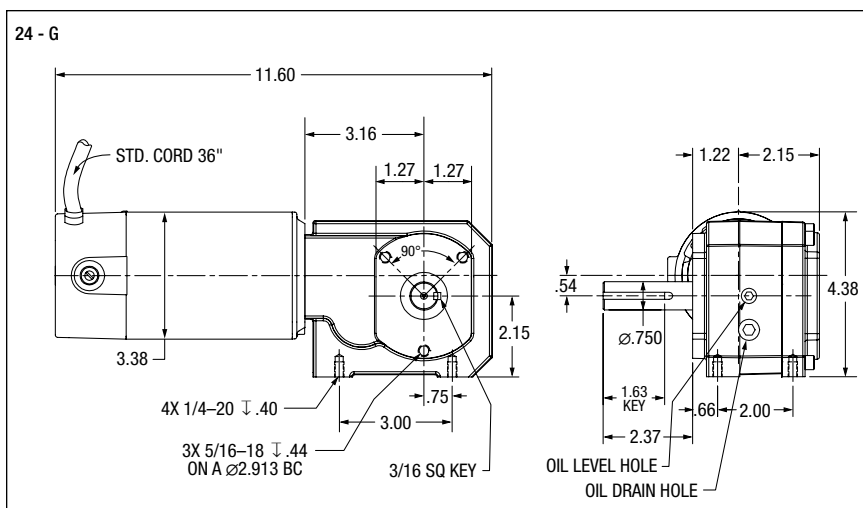
**Features:** Bronze and hardened steel worm gear first stage, hardened steel helical output stage for improved overall efficiency and dependable torque transmission. Completely sealed from the environment and pre-lubricated with synthetic oil, it can be put into immediate service and does not require periodic oil changes. G gear style can be face mounted on the output shaft side, or from the bottom of the gear housing.

Input Motor Hp	Output Base Speed	Gear Ratio	Max. Safe Torque In. Lbs.	Catalog (a) Number	List Price	Mult. Sym.	Ap'x. Shpg. Wgt.	Motor Type & Gear Style	Voltage D.C. Armature	Full Load Amperage Armature	Notes (b)
<b>90 VDC</b>											
1/8	6.2	280:1	400	<b>GP24280</b>	843	DS	12	2424P-G	90	1.80	20
	9.1	190:1	385	<b>GP24190</b>	843	DS	12	2424P-G	90	1.80	20
	14	120:1	280	<b>GP24120</b>	843	DS	12	2424P-G	90	1.80	20
	29	60:1	163	<b>GP24060</b>	843	DS	12	2424P-G	90	1.80	20

(a) Vertical motor below gearhead not recommended.

Avoiding those positions where the high speed oil seal is immersed in oil, will provide greater security against high speed input seal wear.

(b) See notes on inside back flap.





GP13530 Shown  
K Style

**Applications:** Conveyors, medical and laboratory equipment, printing presses, commercial ovens, machine tools and other applications requiring adjustable speed.

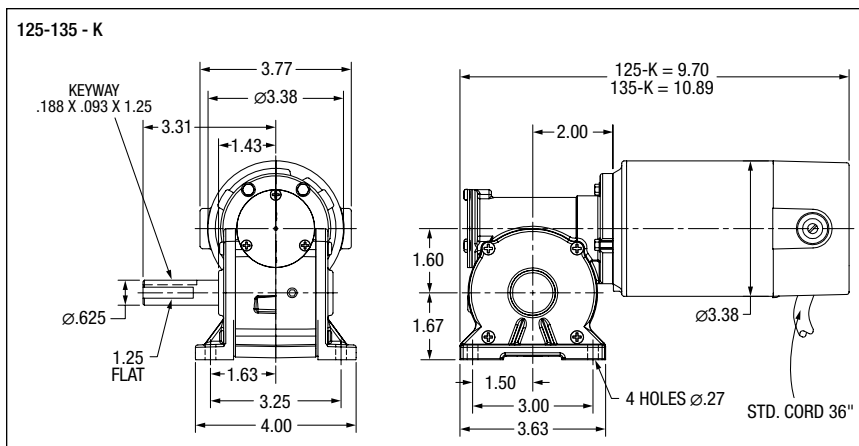
**Features:** DCPM motor provides exceptional starting torque, adjustable speed, and predictable operating conditions. Ball bearing on output for smooth torque transmission and increased radial load capacity. High strength bronze gearing, hardened and ground worm for quiet operation. High performance low friction, bi-directional motor seals. Permanently lubricated with synthetic oil. Internal oil expansion chamber allows for all position mounting without relocating a breather vent.

Input Motor Hp	Output Base Speed	Gear Ratio	Max. Safe Torque In. Lbs.	Catalog (a) Number	List Price	Mult. Sym.	Ap'x. Shpg. Wgt.	Motor Type & Gear Style	Voltage D.C. Armature	Full Load Amperage Armature	Notes (b)
<b>90 VDC</b>											
1/12	43	40:1	73	<b>GP12511</b>	602	DS	10	125-K	90	0.90	20
	86	20:1	39	<b>GP12512</b>	602	DS	10	125-K	90	0.90	20
	173	10:1	22	<b>GP12514</b>	602	DS	10	125-K	90	0.90	20
	346	5:1	10	<b>GP12516</b>	602	DS	10	125-K	90	0.90	20
1/6	43	40:1	135	<b>GP13530</b>	633	DS	10	135-K	90	1.73	20
	57	30:1	111	<b>GP13531</b>	633	DS	10	135-K	90	1.73	20
	88	20:1	88	<b>GP13532</b>	633	DS	10	135-K	90	1.73	20
	173	10:1	48	<b>GP13533</b>	633	DS	10	135-K	90	1.73	20
	346	5:1	24	<b>GP13536</b>	633	DS	10	135-K	90	1.73	20

(a) Vertical motor below gearhead not recommended.

Avoiding those positions where the high speed oil seal is immersed in oil, will provide greater security against high speed input seal wear.

(b) See notes on inside back flap.





GP231004 Shown  
CB Style

**Applications:** Conveyors, medical and laboratory equipment, printing presses, commercial ovens, machine tools and other applications requiring adjustable speed.

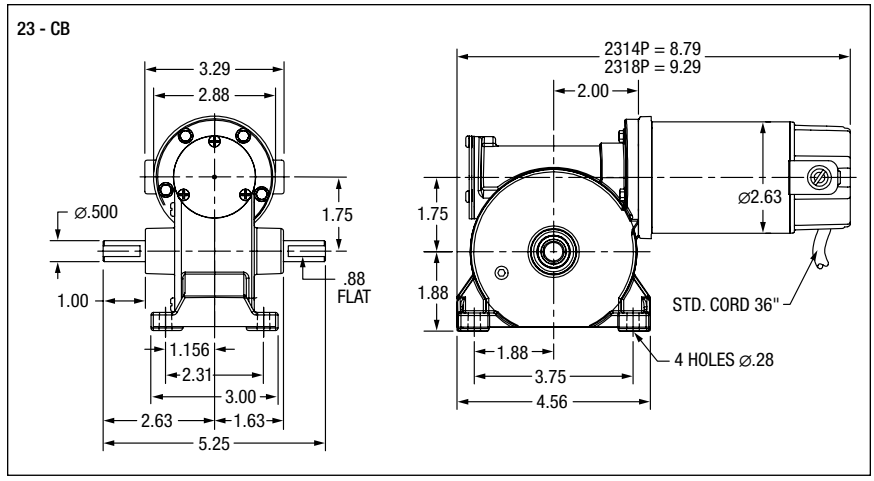
**Features:** DCPM motor provides exceptional starting torque, adjustable speed, and predictable performance over a wide range of operating conditions. Permaglide sleeve bearing on output for smooth torque transmission. High strength bronze gearing, hardened and ground worm for quiet operation. High performance low friction, bidirectional motor seals. Permanently lubricated with synthetic oil. Internal oil expansion chamber allows for all position mounting without relocating a breather vent.

Input Motor Hp	Output Base Speed	Gear Ratio	Max. Safe Torque In. Lbs.	Catalog (a) Number	List Price	Mult. Sym.	Ap'x. Shpg. Wgt.	Motor Type & Gear Style	Voltage D.C. Armature	Full Load Amperage Armature	Notes (b)
<b>90 VDC</b>											
1/25	22	72:1	45	<b>GP231004</b>	473	DS	8	2314P-CB	90	0.53	20
	30	58:1	38	<b>GP232003</b>	473	DS	8	2314P-CB	90	0.53	20
1/16	38	45:1	57	<b>GP233006</b>	490	DS	8	2318P-CB	90	0.80	20
	52	33:1	48	<b>GP233005</b>	490	DS	8	2318P-CB	90	0.75	20
	76	22.5:1	33	<b>GP233004</b>	490	DS	8	2318P-CB	90	0.85	20
<b>180 VDC</b>											
1/16	41	45:1	57	<b>GP233026</b>	490	DS	8	2318P-CB	180	0.42	20
	53	33:1	48	<b>GP233025</b>	490	DS	8	2318P-CB	180	0.40	20
1/14	76	22.5:1	76	<b>GP233024</b>	490	DS	8	2318P-CB	180	0.42	20

(a) Vertical motor below gearhead not recommended.

Avoiding those positions where the high speed oil seal is immersed in oil, will provide greater security against high speed input seal wear.

(b) See notes on inside back flap.







GP7404 Shown  
JK Style

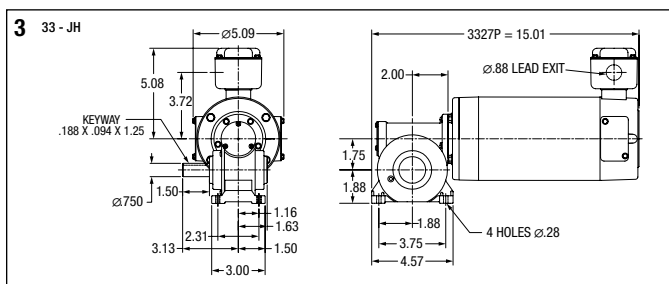
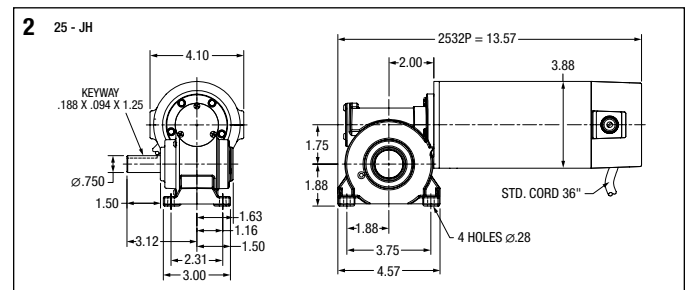
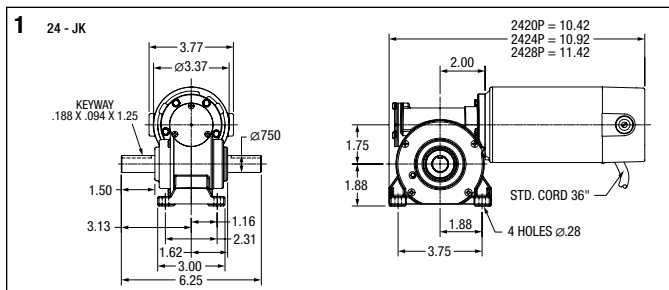
**Applications:** Conveyors, medical and laboratory equipment, printing presses, commercial ovens, machine tools and other applications requiring adjustable speed.

**Features:** DCPM motor provides exceptional starting torque, adjustable speed, and predictable operating conditions. Ball bearing on output for smooth torque transmission and increased radial load capacity High strength bronze gearing, hardened and ground worm for quiet operation. High performance low friction, bidirectional motor seals. Factory lubricated with synthetic oil. Internal oil expansion chamber allows for all position mounting without relocating a breather vent.

Input Motor Hp	Output Base Speed	Gear Ratio	Max. Safe Torque In. Lbs.	Catalog Number <sup>(a)</sup>	List Price	Mult. Sym.	Ap'x. Shpg. Wgt.	Motor Type & Gear Style	Voltage D.C. Armature	Full Load Amperage Armature	Notes <sup>(b)</sup>	Drawing Number
<b>90 VDC</b>												
1/8	30	58:1	120	<b>GP7404</b>	672	DS	14	2424P-JK	90	1.30	20	1
	38	45:1	100	<b>GP7403</b>	672	DS	14	2424P-JK	90	1.30	20	1
	52	33:1	75	<b>GP7402</b>	672	DS	14	2424P-JK	90	1.30	20	1
	75	22.5:1	60	<b>GP7401</b>	672	DS	14	2424P-JK	90	1.30	20	1
1/5	173	11:1	32	<b>GP7400</b>	672	DS	14	2424P-JK	90	1.30	20	1
	50	45:1	120	<b>GP7408</b>	672	DS	14	2428P-JK	90	2.20	20	1
1/4	68	33:1	112	<b>GP7405</b>	672	DS	14	2428P-JK	90	2.40	20	1
	76	45:1	100	<b>GP7407</b>	672	DS	14	2428P-JK	90	2.60	20	1
	104	33:1	75	<b>GP7406</b>	672	DS	14	2428P-JK	90	2.60	20	1
1/3	314	8:1	32	<b>GP7413</b>	672	DS	14	2428P-JK	90	2.60	20	1
	48	50:1	150	<b>GP2507</b>	824	DS	25	2532P-JH	90	3.36	20	2
	62	40:1	137	<b>GP2506</b>	824	DS	25	2532P-JH	90	3.36	20	2
	123	20:1	95	<b>GP2503</b>	824	DS	25	2532P-JH	90	3.36	20	2
1/2	245	10:1	65	<b>GP2501</b>	824	DS	25	2532P-JH	90	3.36	20	2
	50	50:1	234	<b>GP3307</b>	957	DS	35	3327P-JH	90	5.00	20	3
	63	40:1	215	<b>GP3306</b>	957	DS	35	3327P-JH	90	5.00	20	3
	125	20:1	145	<b>GP3303</b>	957	DS	35	3327P-JH	90	5.00	20	3
	250	10:1	100	<b>GP3301</b>	957	DS	35	3327P-JH	90	5.00	20	3
<b>180 VDC</b>												
1/8	30	58:1	120	<b>GP7424</b>	672	DS	14	2420P-JK	180	0.64	20	1
	38	45:1	100	<b>GP7423</b>	672	DS	14	2420P-JK	180	0.64	20	1
	52	33:1	75	<b>GP7422</b>	672	DS	14	2420P-JK	180	0.64	20	1
	78	22.5:1	60	<b>GP7421</b>	672	DS	14	2420P-JK	180	0.64	20	1
1/5	173	11:1	32	<b>GP7420</b>	672	DS	14	2420P-JK	180	0.65	20	1
	50	45:1	120	<b>GP7428</b>	672	DS	14	2428P-JK	180	1.10	20	1
1/4	68	45:1	135	<b>GP7425</b>	672	DS	14	2428P-JK	180	1.30	20	1
	76	45:1	100	<b>GP7427</b>	672	DS	14	2428P-JK	180	1.30	20	1
	104	33:1	75	<b>GP7426</b>	672	DS	14	2428P-JK	180	1.30	20	1
	314	11:1	32	<b>GP7433</b>	672	DS	14	2428P-JK	180	1.30	20	1

(a) Vertical motor below gearhead not recommended. Avoiding those positions where the high speed oil seal is immersed in oil, will provide greater security against high speed input seal wear.

(b) See notes on inside back flap.





GPF13517 Shown  
JAF Style

**Applications:** Conveyors, medical and laboratory equipment, printing presses, commercial ovens, machine tools and other applications requiring adjustable speed.

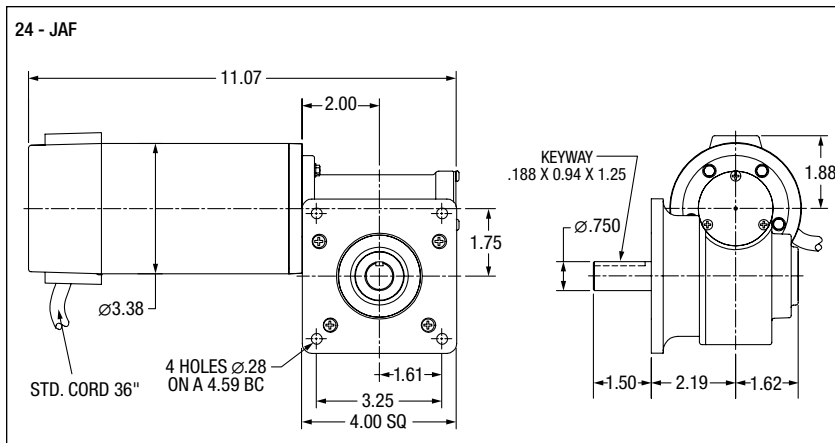
**Features:** DCPM motor provides exceptional starting torque, adjustable speed, and predictable operating conditions. Ball bearing on output for smooth torque transmission and increased radial load capacity. High strength bronze gearing, hardened and ground worm for quiet operation. High performance low friction, bi-directional motor seals. Factory lubricated with synthetic oil. Internal oil expansion chamber allows for all position mounting without relocating a breather vent.

Input Motor Hp	Output Base Speed	Gear Ratio	Max. Safe Torque In. Lbs.	Catalog <sup>(a)</sup> Number	List Price	Mult. Sym.	Ap'x. Shpg. Wgt.	Motor Type & Gear Style	Voltage D.C. Armature	Full Load Amperage Armature	Notes <sup>(b)</sup>
<b>90 VDC</b>											
1/4	312	8:1	38.0	<b>GPF13514</b>	698	DS	15	2428P-JAF	90	2.5	20
	167	15:1	69.0	<b>GPF13515</b>	698	DS	15	2428P-JAF	90	2.5	20
	111	22.5:1	96.0	<b>GPF13516</b>	698	DS	15	2428P-JAF	90	2.6	20
	76	33:1	110.0	<b>GPF13517</b>	698	DS	15	2428P-JAF	90	2.2	20
<b>180 VDC</b>											
1/5	167	15:1	55.0	<b>GPF13530</b>	698	DS	15	135-JAF	180	1.0	20
	76	33:1	88.0	<b>GPF13532</b>	698	DS	15	135-JAF	180	1.0	20

<sup>(a)</sup> Vertical motor below gearhead not recommended.

Avoiding those positions where the high speed oil seal is immersed in oil, will provide greater security against high speed input seal wear.

<sup>(b)</sup> See notes on inside back flap.





GCP24114 Shown  
PSSH Style

**Applications:** Conveyors, packaging machines, machine tools and laboratory equipment requiring constant speed.

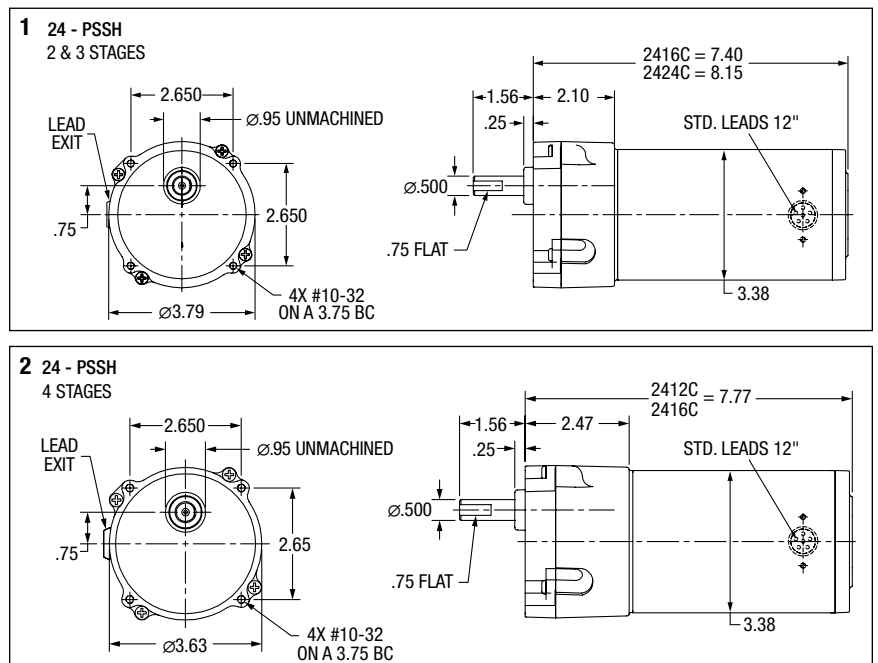
**Features:** Induction hardened helical and spur gears for extra strength. Ball and needle-bearing construction for improved torque capacity. Factory lubricated for life, no maintenance required. Industry standard dimensions. See optional mounting bracket on pages 366 and 401.

Input Motor Hp	Output RPM 50/60 Hz.	Gear Ratio	Stages	Max. Safe Torque In. Lbs.	Catalog (a) Number	List Price	Mult. Sym.	Ap'x. Shpg. Wgt.	Motor Type & Gear Style	Enclosure	Voltage	Notes (b)	Drawing Number
<b>Single Phase</b>													
1/100	1.1/1.3	1320	5	101	<b>GCP24369</b>	519	DS	10	2412C-PSSH	TENV	115	19,20,78	2
	1.9/2.3	720	5	100	<b>GCP24702</b>	519	DS	10	2412C-PSSH	TENV	115	19,20,78	2
1/80	4.3/5.2	320	4	100	<b>GCP24362</b>	519	DS	10	2412C-PSSH	TENV	115	19,20,78	2
	7.7/9.2	180	4	76	<b>GCP24186</b>	495	DS	10	2412C-PSSH	TENV	115	19,20,78	2
1/40	7.6/9.4	180:1	4	120	<b>GCP24114</b>	486	DS	10	2412C-PSSH	TENV	115	19,20,78	2
1/25	15.3/18	90:1	4	120	<b>GCP24122</b>	490	DS	10	2416C-PSSH	TENV	115	19,20,78	2
	23/27.3	60:1	3	80.7	<b>GCP24124</b>	490	DS	10	2416C-PSSH	TENV	115	19,20,78	1
1/20	14/16	100	3	100	<b>GCP24100</b>	513	DS	10	2416C-PSSH	TENV	115	19,20,78	2
	18/22	75	3	100	<b>GCP24072</b>	513	DS	10	2416C-PSSH	TENV	115	19,20,78	2
	28/33	50	3	96	<b>GCP24050</b>	473	DS	10	2416C-PSSH	TENV	115	19,20,78	1
	36/43	37.95	3	62	<b>GCP24037</b>	473	DS	10	2416C-PSSH	TENV	115	19,20,78	1
	55/66	25	2	49	<b>GCP24026</b>	473	DS	10	2416C-PSSH	TENV	115	19,20,78	1
	84/100	16.43	2	30	<b>GCP24017</b>	443	DS	10	2416C-PSSH	TENV	115	19,20,78	1
	109/130	12.65	2	25	<b>GCP24013</b>	443	DS	10	2416C-PSSH	TENV	115	19,20,78	1
	138/165	10	2	20	<b>GCP24010</b>	443	DS	10	2416C-PSSH	TENV	115	19,20,78	1
	210/252	6.55	2	13	<b>GCP24007</b>	443	DS	10	2416C-PSSH	TENV	115	19,20,78	1
1/12	275/330	5	2	10	<b>GCP24005</b>	443	DS	10	2416C-PSSH	TENV	115	19,20,78	1
	45/54.8	30:1	3	83.7	<b>GCP24134</b>	471	DS	10	2424C-PSSH	TENV	115	19,20,78	1
	68/82.5	20:1	2	55.8	<b>GCP24136</b>	471	DS	10	2424C-PSSH	TENV	115	19,20,78	1
	90/109	15:1	2	42.8	<b>GCP24138</b>	471	DS	10	2424C-PSSH	TENV	115	19,20,78	1
	136/163	10:1	2	28.5	<b>GCP24140</b>	471	DS	10	2424C-PSSH	TENV	115	19,20,78	1
	272/326	5:1	2	14.3	<b>GCP24142</b>	471	DS	10	2424C-PSSH	TENV	115	19,20,78	1

(a) Vertical motor below gearhead not recommended.

Avoiding those positions where the high speed oil seal is immersed in oil, will provide greater security against high speed input seal wear.

(b) See notes on inside back flap.





GCP24232 Shown  
PSM Style

**Applications:** Conveyors, packaging machines, machine tools and laboratory equipment requiring constant speed.

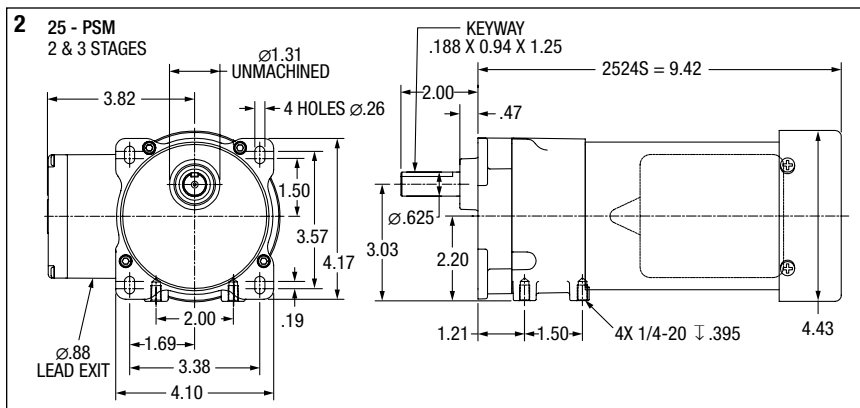
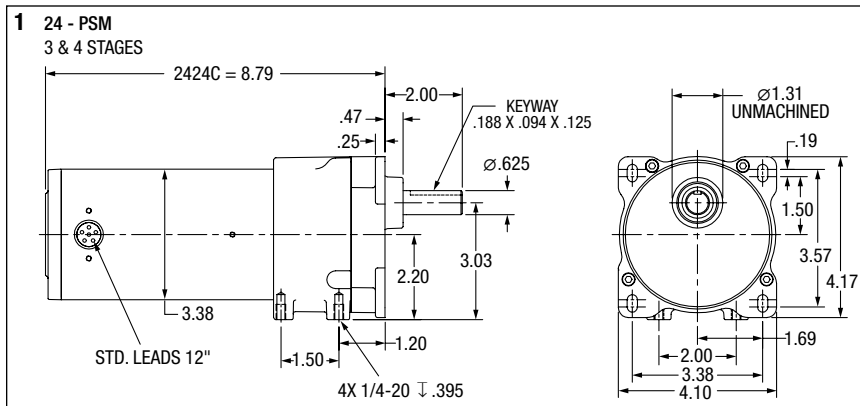
**Features:** Induction hardened helical and spur gears for extra strength. Ball and needle-bearing construction for improved torque capacity. Factory lubricated for life, no maintenance required. Industry standard dimensions. Optional bases for foot or 3-point face mounting, see below.

Input Motor Hp	Output RPM 50/60 Hz.	Gear Ratio	Stages	Max. Safe Torque In. Lbs.	Catalog Number <sup>(a)</sup>	List Price	Mult. Sym.	Ap'x. Shpg. Wgt.	Motor Type & Gear Style	Enclosure	Voltage	Notes <sup>(b)</sup>	Drawing Number
<b>Single Phase</b>													
1/15	15/18	90:1	4	237	<b>GCP24232</b>	565	DS	14	2424C-PSM	TENV	115	19,20,78	1
1/12	23/27	60:1	3	167	<b>GCP24234</b>	534	DS	14	2424C-PSM	TENV	115	19,20,78	1
1/9	43/36	40:1	3	149	<b>GCP25052</b>	539	DS	14	2524S-PSM	TEFC	115	19,20	2
	47/57	30:1	3	112	<b>GCP25054</b>	539	DS	14	2524S-PSM	TEFC	115	19,20	2
	84/70	20:1	3	74	<b>GCP25056</b>	512	DS	14	2524S-PSM	TEFC	115	19,20	2
	92/111	15:1	2	57	<b>GCP25058</b>	512	DS	14	2524S-PSM	TEFC	115	19,20	2
	138/166	10:1	2	38	<b>GCP25060</b>	512	DS	14	2524S-PSM	TEFC	115	19,20	2
	275/330	5:1	2	19	<b>GCP25062</b>	512	DS	14	2524S-PSM	TEFC	115	19,20	2

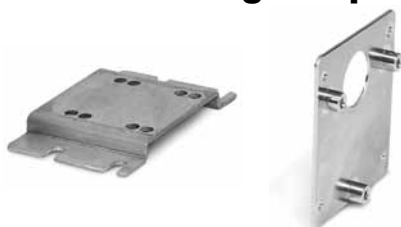
(a) Vertical motor below gearhead not recommended.

Avoiding those positions where the high speed oil seal is immersed in oil, will provide greater security against high speed input seal wear.

(b) See notes on inside back flap.



### PSM Mounting Adapters



**B92** is formed steel mounting base that bolts to machined surface on bottom of PSM gear box casting. Provides secure foot mounting of gearmotor and drop-in interchangeability with other major manufacturers.

**B93** is a three point face mounting adapter. Provides interchangeability with other manufacturers.

Catalog Number	Description	List Price	Mult. Sym.	Ap'x. Shpg. Wgt.
<b>B92</b>	Foot Mount	42	A8	1
<b>B93</b>	3 Point Face Mount	54	A8	1



PSL Style

**Applications:** Conveyors, packaging machines, machine tools and laboratory equipment requiring constant speed.

**Features:** Three and single-phase. Induction hardened helical gears for added strength. Ball and needle-bearing construction for improved torque capacity. Factory lubricated for life, no maintenance required. Industry standard dimensions. An optional bolt-on base is available for foot mounting on pages 366 and 401.

Input Motor Hp	Output RPM 50/60 Hz.	Gear Ratio	Stages	Max. Safe Torque In. Lbs.	Catalog Number <sup>(a)</sup>	List Price	Mult. Sym.	Ap'x. Shpg. Wgt.	Motor Type & Gear Style	Enclosure	Voltage	Notes <sup>(b)</sup>	Drawing Number
<b>Single Phase</b>													
1/25	4.5/5.5	300:1	4	325	<b>GCP24002</b>	725	DS	15	2416C-PSL	TENV	110//115	19,20,78	1
	7.6/9.1	180:1	4	235	<b>GCP24004</b>	725	DS	15	2416C-PSL	TENV	110//115	19,20,78	1
1/12	11/13.7	120:1	4	330	<b>GCP24020</b>	782	DS	15	2424C-PSL	TENV	110//115	19,20,78	1
	15/18.2	90:1	4	250	<b>GCP24022</b>	701	DS	15	2424C-PSL	TENV	110//115	19,20,78	1
1/8	23/28	60:1	3	270	<b>GCP25002</b>	760	DS	18	2524S-PSL	TEFC	110//115	19,20	2
	45/55	30:1	3	135	<b>GCP25004</b>	760	DS	18	2524S-PSL	TEFC	110//115	19,20	2
	71/85	20:1	2	92	<b>GCP25006</b>	733	DS	18	2524S-PSL	TEFC	110//115	19,20	3
	141/170	10:1	2	46	<b>GCP25008</b>	733	DS	18	2524S-PSL	TEFC	110//115	19,20	3
	283/340	5:1	2	23	<b>GCP25010</b>	733	DS	18	2524S-PSL	TEFC	110//115	19,20	3
	6.4/7.7	215.6	4	310	<b>GCP25216</b>	740	DS	15	2524C-PSL	TEFC	115/230	19,20	2
1/6	13/16	102.4	3	350	<b>GCP25102</b>	740	DS	15	2524C-PSL	TEFC	115/230	19,20	2
	17/20	81.8	3	300	<b>GCP25082</b>	740	DS	15	2524C-PSL	TEFC	115/230	19,20	2
	23/28	58.3	3	300	<b>GCP25658</b>	695	DS	15	2524C-PSL	TEFC	115/230	19,20	2
	58	30:1	3	164	<b>GCP3305</b>	769	DS	24	3316C-PSL	TENV	115	33	4
	86	20:1	2	112	<b>GCP3310</b>	741	DS	24	3316C-PSL	TENV	115	33	4
	173	10:1	2	56	<b>GCP3315</b>	741	DS	24	3316C-PSL	TENV	115	33	4
1/4	39/47	35.8	3	294	<b>GCP25036</b>	760	DS	24	3324S-PSL	TEFC	115/230	19,20	5
	48/58	28.1	3	227	<b>GCP25029</b>	760	DS	24	3324S-PSL	TEFC	115/230	19,20	5
	73/88	19.1	2	163	<b>GCP25019</b>	715	DS	24	3324S-PSL	TEFC	115/230	19,20	5
	94/113	15	2	128	<b>GCP25015</b>	715	DS	24	3324S-PSL	TEFC	115/230	19,20	5
	133/159	10.6	2	91	<b>GCP25011</b>	715	DS	24	3324S-PSL	TEFC	115/230	19,20	5
	282/338	5	2	41	<b>GCP25005</b>	715	DS	24	3324S-PSL	TEFC	115/230	19,20	5
<b>Capacitor Start - Single Phase</b>													
1/4	29	60:1	3	483	<b>GLP3310</b>	831	DS	25	3320L-PSLH	TEFC	115/208-230	33	5
	35	50:1	3	438	<b>GLP3328</b>	864	DS	25	3324L-PSLH	TEFC	115/208-230	20,33	5
1/3	57.5	30:1	3	320	<b>GLP3330</b>	864	DS	25	3324L-PSLH	TEFC	115/208-230	20,33	5
	86.3	20:1	2	218	<b>GLP3332</b>	813	DS	25	3324L-PSLH	TEFC	115/208-230	20,33	5
	172.5	10:1	2	109	<b>GLP3336</b>	813	DS	25	3324L-PSLH	TEFC	115/208-230	20,33	5
1/2	345	5:1	2	55	<b>GLP3338</b>	813	DS	25	3324L-PSLH	TEFC	115/208-230	20,33	5
	58	30:1	3	484	<b>GLP3342</b>	912	DS	25	3328L-PSLH	TEFC	115/208-230	20,33	5
	88	20:1	2	326	<b>GLP3344</b>	860	DS	25	3328L-PSLH	TEFC	115/208-230	20,33	5
	117	15:1	2	245	<b>GLP3346</b>	860	DS	25	3328L-PSLH	TEFC	115/208-230	20,33	5
	175	10:1	2	164	<b>GLP3348</b>	860	DS	25	3328L-PSLH	TEFC	115/208-230	20,33	5
<b>Three Phase</b>													
1/3	57	30:1	3	320	<b>GMP3330</b>	856	DS	27	3320M-PSLH	TEFC	208-230/460	33	6
	86	20:1	2	218	<b>GMP3332</b>	804	DS	27	3320M-PSLH	TEFC	208-230/460	33	6
	173	10:1	2	109	<b>GMP3336</b>	804	DS	27	3320M-PSLH	TEFC	208-230/460	33	6
	345	5:1	2	55	<b>GMP3338</b>	804	DS	27	3320M-PSLH	TEFC	208-230/460	33	6
1/2	43	40:1	3	627	<b>GMP3340</b>	904	DS	27	3320M-PSLH	TEFC	208-230/460	33	6
	58	30:1	3	484	<b>GMP3342</b>	904	DS	27	3320M-PSLH	TEFC	208-230/460	33	6
	86	20:1	2	326	<b>GMP3344</b>	853	DS	27	3320M-PSLH	TEFC	208-230/460	33	6
	173	10:1	2	164	<b>GMP3348</b>	853	DS	27	3320M-PSLH	TEFC	208-230/460	33	6

<sup>(a)</sup> Vertical motor below gearhead not recommended.

Avoiding those positions where the high speed oil seal is immersed in oil, will provide greater security against high speed input seal wear.

<sup>(b)</sup> See notes on inside back flap.

Input Motor Hp	Output RPM 60 Hz.	Gear Ratio	Speed Range	Maximum Safe Torque In-Lbs @ 60 Hz	Catalog Number	List Price	Mult. Sym.	Ap'x. Shpg. Wgt.	Motor Type & Gear Style	Volt Code
<b>Inverter Duty Parallel Shaft</b>										
3/8	55	30	8.0-82	350	<b>IDGMP2505</b>	654	E2	20	2528M-PS	C
	83	20	12-123	233	<b>IDGMP2503</b>	616	E2	20	2528M-PS	C
	165	10	23-246	116	<b>IDGMP2501</b>	616	E2	20	2528M-PS	C
	330	5	43-490	58	<b>IDGMP2500</b>	616	E2	20	2528M-PS	C

**NOTE:** Avoiding those positions where the high speed oil seal is immersed in oil, will provide greater security against seal wear.

Vertical motor below gearbox mounting is possible with modification, contact Baldor for details.

Voltage: @ 60 Hz: C = 230 volts







GP12505 Shown  
PSSH Style

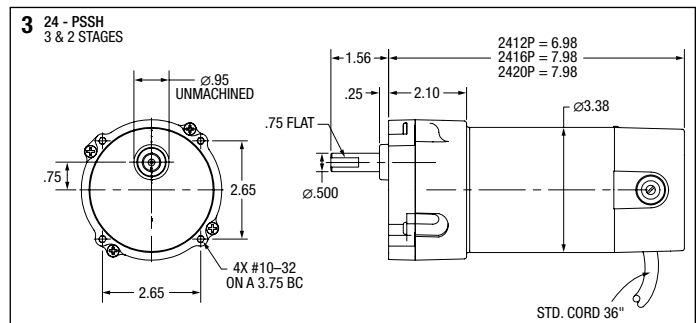
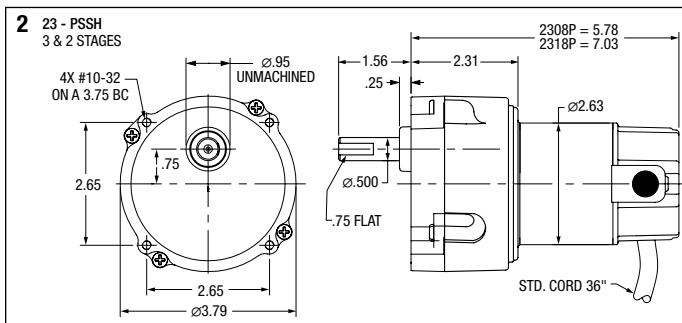
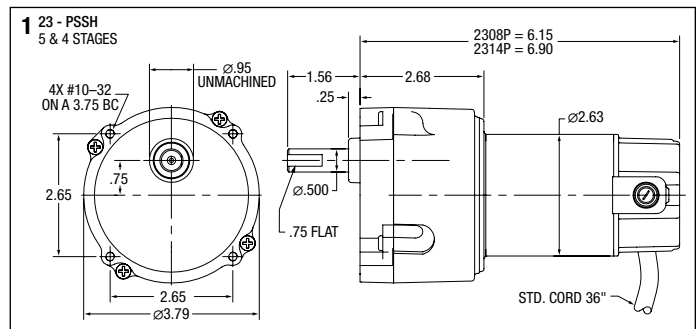
**Applications:** Conveyors, medical and laboratory equipment, printing presses, commercial ovens, machine tools and many other applications requiring adjustable speed.

**Features:** Induction hardened helical and spur gears for extra strength. Ball and needle-bearing construction for improved torque capacity. Factory lubricated for life, no maintenance required. PSSH is face mounted with industry standard dimensions. An optional bolt on base is available for foot mounting, see pages 366 and 401.

Input Motor Hp	Output Base Speed	Gear Ratio	Stages	Max. Safe Torque In. Lbs.	Catalog (a) Number	List Price	Mult. Sym.	Ap'x. Shpg. Wgt.	Motor Type & Gear Style	Voltage D.C. Armature	Full Load Amperage Armature	Notes (b)	Drawing Number
1/40	10	180:1	4	100	GPP230186	482	DS	8	2308P-PSSH	90	0.30	20	1
	13	135:1	4	100	GPP230139	482	DS	8	2308P-PSSH	90	0.30	20	1
1/45	9	180:1	4	100	GPP231108	473	DS	8	2308P-PSSH	90	0.29	20	1
1/21	19	90:1	4	118	GPP232110	473	DS	7	2314P-PSSH	90	0.57	20	1
1/50	29	60:1	3	40	GPP231109	449	DS	8	2308P-PSSH	90	0.35	20	2
	25	75:1	3	100	GPP230072	531	DS	8	2318P-PSSH	90	0.70	20	1
1/20	30	60:1	3	100	GPP233112	490	DS	8	2318P-PSSH	90	0.70	20	2
	49	37.95:1	3	55	GPP230037	499	DS	8	2318P-PSSH	90	0.70	20	1
	71	25:1	2	40	GPP230025	499	DS	8	2318P-PSSH	90	0.70	20	2
	95	20:1	2	30	GPP230019	469	DS	8	2318P-PSSH	90	0.70	20	2
	139	12.65:1	2	20	GPP230013	469	DS	8	2318P-PSSH	90	0.70	20	2
	185	10:1	2	15	GPP230010	469	DS	8	2318P-PSSH	90	0.70	20	2
	269	6.55:1	2	11	GPP230007	469	DS	8	2318P-PSSH	90	0.70	20	2
	359	5:1	2	8	GPP230005	469	DS	8	2318P-PSSH	90	0.70	20	2
1/17	60	30:1	3	50	GPP233111	490	DS	8	2318P-PSSH	90	0.65	20	2
1/35	120	20:1	2	9.5	GPP231110	449	DS	8	2308P-PSSH	90	0.36	20	2
	43	60:1	3	112	GPP12505	544	DS	11	2412P-PSSH	90	1.00	20	3
1/12	58	44:1	3	83	GPP12504	544	DS	11	2412P-PSSH	90	1.00	20	3
	125	20:1	2	38.5	GPP12502	518	DS	11	2412P-PSSH	90	1.00	20	3
	115	22:1	2	43	GPP12503	518	DS	11	2412P-PSSH	90	1.00	20	3
	250	10:1	2	19.7	GPP12501	518	DS	11	2412P-PSSH	90	1.00	20	3
1/22	19	90:1	4	118	GPP233120	490	DS	8	2314P-PSSH	180	0.30	20	1
1/12	43	40:1	3	112	GPP12525	524	DS	11	2420P-PSSH	180	0.45	20	3
1/20	60	30:1	3	50	GPP233121	490	DS	8	2318P-PSSH	180	0.35	20	2
1/12	250	10:1	2	19.7	GPP12521	524	DS	11	2416P-PSSH	180	0.49	20	3

(a) Vertical motor below gearhead not recommended. Avoiding those positions where the high speed oil seal is immersed in oil, will provide greater security against high speed input seal wear.

(b) See notes on inside back flap.





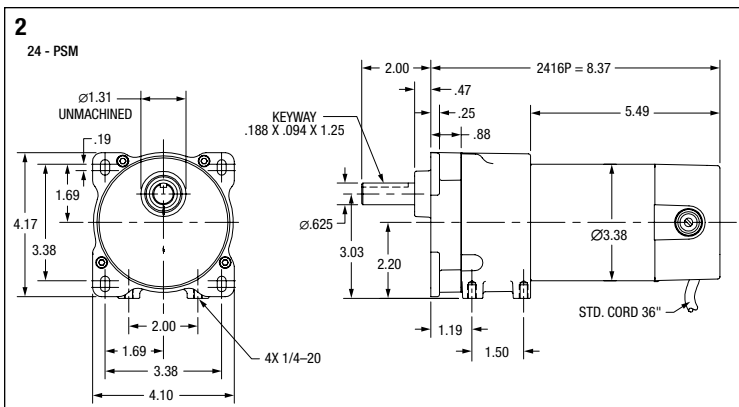
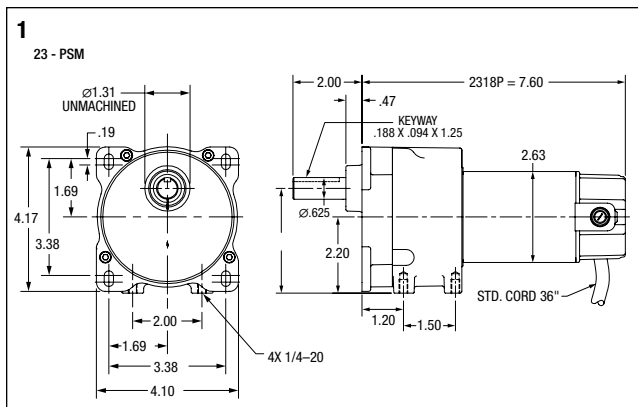
GPP233141 Shown  
PSM Style

**Applications:** Conveyors, medical and laboratory equipment, printing presses, commercial ovens, machine tools and many other applications requiring adjustable speed.

**Features:** Induction hardened helical and spur gears for extra strength. Ball and needle-bearing construction for improved torque capacity. Factory lubricated for life, no maintenance required. PSM is face or foot mounted with industry standard dimensions. Optional bases are available for foot or 3-point face mounting, see pages 366 and 401.

Input Motor Hp	Output Base Speed	Gear Ratio	Stages	Max. Safe Torque In. Lbs.	Catalog (a) Number	List Price	Mult. Sym.	Ap'x. Shpg. Wgt.	Motor Type & Gear Style	Voltage D.C. Armature	Full Load Amperage Armature	Notes (b)	Drawing Number
1/20	34	52.9:1	3	85	GPP230053	556	DS	10	2318P-PSM	90	0.30	20	1
	8.7	208:1	4	293	GPP230208	589	DS	10	2318P-PSM	90	0.30	20	1
	7.5	329:1	4	183	GPP231329	589	DS	10	2318P-PSM	90	0.30	20	1
1/16	15.4	120:1	4	197	GPP233141	605	DS	10	2318P-PSM	90	0.66	20	1
	18.6	90:1	4	180	GPP233140	605	DS	10	2318P-PSM	90	0.77	20	1
1/8	22	81.8:1	3	300	GPP12582	643	DS	12	2416P-PSM	90	1.35	20	2
	30	58.3:1	3	230	GPP12556	609	DS	12	2416P-PSM	90	1.35	20	2
	42	60:1	3	165	GPP12547	606	DS	12	2416P-PSM	90	1.35	20	2
	63	40:1	3	116	GPP12545	606	DS	12	2416P-PSM	90	1.35	20	2
	83	30:1	3	90	GPP12544	606	DS	12	2416P-PSM	90	1.35	20	2
	94	19.1:1	2	76	GPP12559	623	DS	12	2416P-PSM	90	1.35	20	2
	125	20:1	2	58	GPP12543	579	DS	12	2416P-PSM	90	1.35	20	2
	167	15:1	2	45	GPP12542	579	DS	12	2416P-PSM	90	1.35	20	2
1/4	250	10:1	2	30	GPP12555	623	DS	12	2416P-PSM	90	1.35	20	2
	500	5:1	2	15	GPP12541	579	DS	12	2416P-PSM	90	1.35	20	2
	42	42.9:1	3	300	GPP24043	666	DS	14	2424P-PSM	90	2.50	20	2
	64	28.1:1	3	235	GPP24029	666	DS	14	2424P-PSM	90	2.50	20	2
	94	19.1:1	2	160	GPP24019	634	DS	14	2424P-PSM	90	2.50	20	2
1/8	170	10.6:1	2	90	GPP24011	634	DS	14	2424P-PSM	90	2.50	20	2
	360	5:1	2	40	GPP24005	634	DS	14	2424P-PSM	90	2.50	20	2
	42	60:1	3	174	GPP12567	585	DS	11	2416P-PSM	180	0.65	20	2
	83	30:1	3	87	GPP12564	585	DS	11	2416P-PSM	180	0.65	20	2
1/8	250	10:1	2	30	GPP12561	579	DS	11	2416P-PSM	180	0.65	20	2
	500	5:1	2	14.8	GPP12560	579	DS	11	2416P-PSM	180	0.65	20	2

- (a) Vertical motor below gearhead not recommended.  
Avoiding those positions where the high speed oil seal is immersed in oil, will provide greater security against high speed input seal wear.
- (b) See notes on inside back flap.





GPP7459 Shown  
PSL Style

**Applications:** Conveyors, medical and laboratory equipment, printing presses, commercial ovens, machine tools and many other applications requiring adjustable speed.

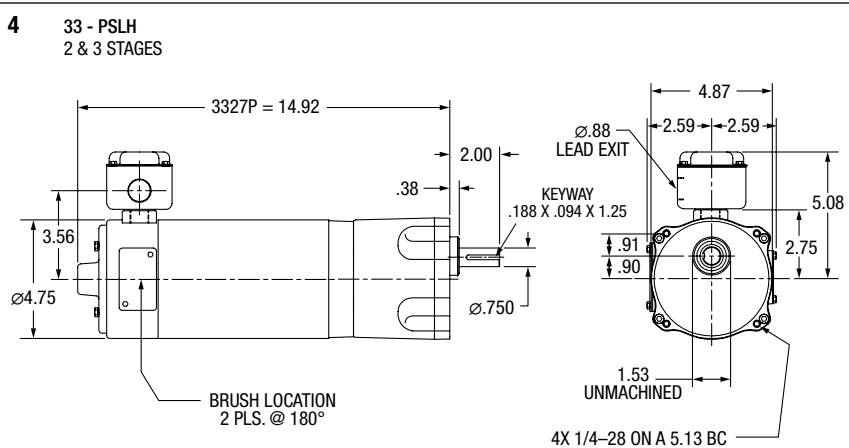
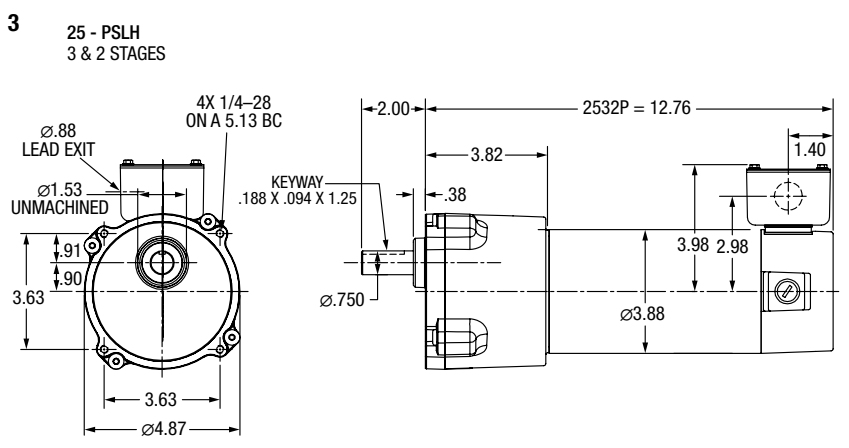
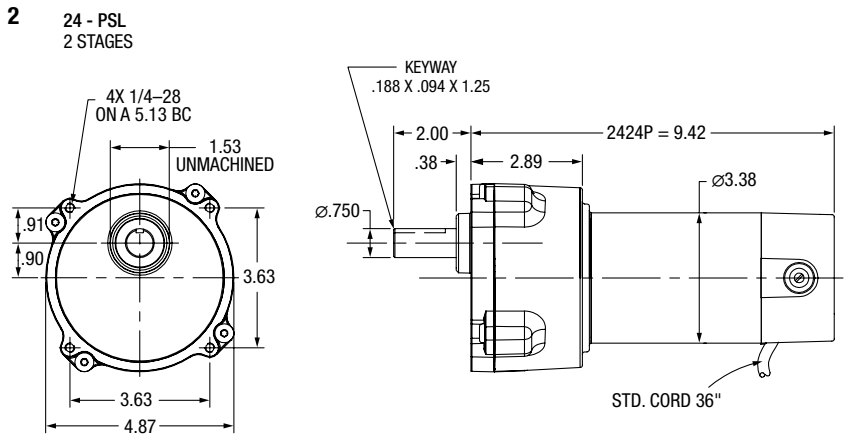
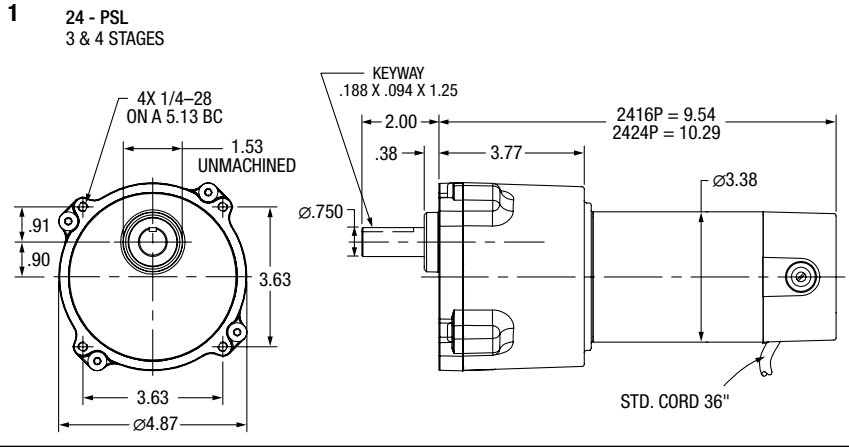
**Features:** Induction hardened helical gears for added strength. Ball and needle-bearing construction for improved torque capacity. Factory lubricated for life, no maintenance required. PSL is face mounted with industry standard dimensions. An optional bolt on base is available for foot mounting. See pages and 401.

Input Motor Hp	Output Base Speed	Gear Ratio	Stages	Max. Safe Torque In. Lbs.	Catalog (a) Number	List Price	Mult. Sym.	Ap'x. Shpg. Wgt.	Motor Type & Gear Style	Voltage D.C. Armature	Full Load Amperage Armature	Notes (b)	Drawing Number
1/8	8.3	300:1	4	330	GPP7459	764	DS	17	2416P-PSL	90	0.76	20	1
1/8	10.4	240:1	4	330	GPP7462	764	DS	17	2416P-PSL	90	0.71	20	1
1/4	14	180:1	4	365	GPP7458	764	DS	17	2424P-PSL	90	1.20	20	1
1/4	21	120:1	4	365	GPP7457	764	DS	17	2424P-PSL	90	1.70	20	1
1/4	28	90:1	4	390	GPP7461	764	DS	17	2424P-PSL	90	2.25	20	1
1/4	42	60:1	3	280	GPP7456	733	DS	17	2424P-PSL	90	2.50	20	1
1/4	50	50:1	3	250	GPP7460	733	DS	17	2424P-PSL	90	2.50	20	1
1/4	62	40:1	3	200	GPP7455	733	DS	17	2424P-PSL	90	2.50	20	1
1/4	83	30:1	3	150	GPP7454	733	DS	17	2424P-PSL	90	2.50	20	1
1/4	125	20:1	2	100	GPP7453	733	DS	17	2424P-PSL	90	2.50	20	2
1/4	165	15:1	2	75	GPP7452	674	DS	15	2424P-PSL	90	2.50	20	2
1/4	250	10:1	2	50	GPP7451	674	DS	17	2424P-PSL	90	2.50	20	2
1/4	500	5:1	2	25	GPP7450	674	DS	17	2424P-PSL	90	2.50	20	2
1/3	58	30:1	3	320	GPP2530	1,001	DS	24	2532P-PSLH	90	3.20	20	3
1/3	113	15:1	2	164	GPP2534	953	DS	24	2532P-PSLH	90	3.20	20	3
1/3	345	5:1	2	55	GPP2538	953	DS	24	2532P-PSLH	90	3.20	20	3
1/2	83	30:1	3	337	GPP3340	1,125	DS	35	3327P-PSLH	90	5.00	20	4
1/2	167	15:1	2	171	GPP3344	1,125	DS	31	3327P-PSLH	90	5.00	20	4
1/2	500	5:1	2	57	GPP3348	1,076	DS	35	3327P-PSLH	90	5.00	20	4
1/8	8.3	300:1	4	330	GPP7479	764	DS	17	2424P-PSL	180	0.38	20	1
1/4	14	180:1	4	365	GPP7478	764	DS	17	2424P-PSL	180	0.60	20	1
1/4	21	120:1	4	365	GPP7477	764	DS	17	2424P-PSL	180	0.85	20	1
1/4	42	60:1	3	280	GPP7476	733	DS	17	2424P-PSL	180	1.25	20	1
1/4	62	40:1	3	200	GPP7475	733	DS	17	2424P-PSL	180	1.25	20	1
1/4	83	30:1	3	155	GPP7474	733	DS	17	2424P-PSL	180	1.25	20	1
1/4	125	20:1	2	100	GPP7473	733	DS	17	2424P-PSL	180	1.25	20	2
1/4	165	15:1	2	75	GPP7472	674	DS	17	2424P-PSL	180	1.25	20	2
1/4	250	10:1	2	50	GPP7471	674	DS	17	2424P-PSL	180	1.25	20	2
1/4	500	5:1	2	25	GPP7470	674	DS	17	2424P-PSL	180	1.25	20	2
1/3	58	30:1	3	320	GPP3370	1,125	DS	35	3327P-PSLH	180	1.50	20	4
1/3	115	15:1	2	164	GPP3374	1,076	DS	35	3327P-PSLH	180	1.50	20	4
1/3	345	5:1	2	55	GPP3378	1,076	DS	35	3327P-PSLH	180	1.60	20	4
1/2	83	30:1	3	337	GPP3380	1,125	DS	35	3327P-PSLH	180	2.50	20	4
1/2	167	15:1	2	171	GPP3384	1,076	DS	35	3327P-PSLH	180	2.50	20	4
1/2	500	5:1	2	57	GPP3388	1,076	DS	35	3327P-PSLH	180	2.50	20	4

(a) Vertical motor below gearhead not recommended.

Avoiding those positions where the high speed oil seal is immersed in oil, will provide greater security against high speed input seal wear.

(b) See notes on inside back flap.



### 900 Series – Right Angle – Quill Type Solid Shaft



**1.33 thru 3.75 CD**

**NEMA 56C thru 210TC**

**Applications:** Ideal for conveyors, material handling, textile machines, packaging machinery. etc. (slow speed and high torque).

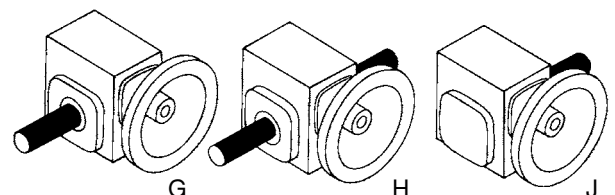
**Features:** Heavy duty cast iron housing, chill cast bronze gearing, precision ground hardened worm, ball bearing on input shaft, tapered roller bearings on output shaft. Industry-standard mounting dimensions. Pre-filled with food grade (H1) Klubersynth UH1-6-460 synthetic oil, sealed housing provides maintenance-free lubed for life operation.

Nominal Output RPM @ 1750 RPM In	Gear Ratio	Continuous Duty Output Torque (In-Lbs) Based on 1750 RPM Motor										Max Input Hp	Max Output Torque Rating In-Lbs	NEMA Motor Mount	Style Number	Catalog Number	List Price	Mult. Sym.	Ap'x Shpg. Wgt.	
		0.25	0.33	0.5	0.75	1	1.5	2	3	5	7.5									10
350	5:1		75	112	149								1.11	165	56C	F-913-05-B5-G	GF0513AG	479	GB	20
			75	112	149								1.11	165	56C	F-913-05-B5-J	GF0513AJ	479	GB	20
				115	154	231							1.50	231	56C	F-915-05-B5-G	GF0515AG	512	GB	25
				115	154	231							1.50	231	140TC	F-915-05-B7-G	GF0515BG	512	GB	25
				115	154	231							1.50	231	56C	F-915-05-B5-H	GF0515AH	543	GB	25
					160	240	320						2.00	320	56C	F-918-05-B5-G	GF0518AG	525	GB	30
					160	240	320						2.00	320	140TC	F-918-05-B7-G	GF0518BG	525	GB	30
						246	327	491					3.14	514	140TC	F-921-05-B7-G	GF0521BG	657	GB	35
						246	327	491					3.14	514	140TC	F-921-05-B7-J	GF0521BJ	657	GB	35
							339	507					4.17	705	180TC	F-924-05-B9-G	GF0524CG	775	GB	40
							339	508	847				5.43	919	180TC	F-926-05-B9-G	GF0526CG	899	GB	55
								502	837	1255			7.64	1279	180TC	F-930-05-B9-G	GF0530CG	1,222	GB	68
							837	1255	1674		13.7	2315	210TC	F-938-05-B11-H	GF0538DH	1,710	GB	126		
175	10:1		82	125	187							0.90	225	56C	F-913-10-B5-G	GF1013AG	479	GB	20	
			82	125	187							0.90	225	56C	F-913-10-B5-J	GF1013AJ	479	GB	20	
			82	125	187							0.90	225	56C	F-913-10-B5-H	GF1013AH	507	GB	20	
				141	211	282							1.03	290	56C	F-915-10-B5-G	GF1015AG	512	GB	20
				141	211	282							1.03	290	140TC	F-915-10-B7-G	GF1015BG	512	GB	20
				141	211	282							1.03	290	56C	F-915-10-B5-H	GF1015AH	543	GB	25
					214	285	428						1.50	428	56C	F-918-10-B5-G	GF1018AG	525	GB	30
					214	285	428						1.50	428	56C	F-918-10-B5-J	GF1018AJ	525	GB	30
					214	285	428						1.50	428	56C	F-918-10-B5-H	GF1018AH	556	GB	29
					214	285	428						1.50	428	140TC	F-918-10-B7-G	GF1018BG	525	GB	30
						312	468	624					2.02	630	56C	F-921-10-B5-G	GF1021AG	657	GB	35
						312	468	624					2.02	630	56C	F-921-10-B5-J	GF1021AJ	657	GB	35
						312	468	624					2.02	630	56C	F-921G-10-B5-G	GF10G21AG	657	GB	30

**NOTE:**  Service Class I Torque Ratings (1.0 Service Factor)  
 Service Class II Torque Ratings ( $\geq 1.4$  Service Factor)  
 Service Class III Torque Ratings ( $\geq 2.0$  Service Factor)

Vertical motor below gearhead not recommended.  
 Avoiding those positions where the high speed oil seal is immersed in oil, will provide greater security against high speed input seal wear.  
 Replacement oil – 1 Qt P/N MJ0006A05SP (Klubersynth UH1-6-460)

#### Assembly Types



Gearmotors and Gear Products

PT Components

Motor Accessories

Grinders

Generators

Servo Motors and Controls

Mod Express

Baldor Education Workshops

Classifications and Sales Offices

EISA Compliance Table & Index

### 900 Series - Right Angle - Quill Type - Solid Shaft continued...

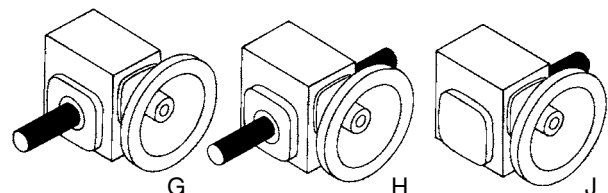
Nominal Output RPM @ 1750 RPM In	Gear Ratio	Continuous Duty Output Torque (In-Lbs) Based on 1750 RPM Motor									Max Input Hp	Max Output Torque Rating In-Lbs	NEMA Motor Mount	Style Number	Catalog Number	List Price	Mult. Sym.	Ap'x Shpg. Wgt.		
		0.25	0.33	0.5	0.75	1	1.5	2	3	5									7.5	
175	10:1				312	468	624					2.02	630	56C	F-921-10-B5-H	GF1021AH	692	GB	35	
					312	468	624					2.02	630	140TC	F-921-10-B7-G	GF1021BG	657	GB	35	
					317	475	634						2.73	893	140TC	F-924-10-B7-G	GF1024BG	775	GB	40
								655	983				3.59	1177	140TC	F-926-10-B7-G	GF1026BG	899	GB	55
								655	983				3.59	1177	180TC	F-926-10-B9-G	GF1026CG	899	GB	55
								641	961	1602			5.48	1755	180TC	F-930-10-B9-G	GF1030CG	1,222	GB	68
									990	1649			6.36	2106	180TC	F-932-10-B9-G	GF1032CG	1,325	GB	87
							963	1604	2407		9.05	2905	210TC	F-938-10-B11-G	GF1038DG	1,618	GB	126		
117	15:1	89	118	179								0.66	225	56C	F-913-15-B5-G	GF1513AG	479	GB	20	
		89	118	179								0.66	225	56C	F-913-15-B5-J	GF1513AJ	479	GB	20	
		89	118	179								0.66	225	56C	F-913-15-B5-H	GF1513AH	507	GB	20	
			127	193	289								0.81	312	56C	F-915-15-B5-G	GF1515AG	512	GB	25
			127	193	289								0.81	312	56C	F-915-15-B5-H	GF1515AH	543	GB	25
				209	314	419							1.07	448	56C	F-918-15-B5-G	GF1518AG	525	GB	30
				209	314	419							1.07	448	56C	F-918-15-B5-J	GF1518AJ	525	GB	30
				209	314	419							1.07	448	56C	F-918-15-B5-H	GF1518AH	556	GB	30
				246	369	492							1.35	664	56C	F-921-15-B5-G	GF1521AG	657	GB	35
				246	369	492							1.35	664	56C	F-921-15-B5-J	GF1521AJ	657	GB	35
				246	369	492							1.35	664	56C	F-921-15-B5-H	GF1521AH	692	GB	35
				246	369	492							1.35	664	140TC	F-921-15-B7-G	GF1521BG	657	GB	35
					470	705	939						2.11	992	56C	F-924-15-B5-G	GF1524AG	775	GB	40
					470	705	939						2.11	992	56C	F-924-15-B5-J	GF1524AJ	775	GB	40
					470	705	939						2.11	992	140TC	F-924-15-B7-G	GF1524BG	775	GB	40
					473	710	947						2.58	1225	140TC	F-926-15-B7-G	GF1526BG	899	GB	55
						686	915	1373					4.14	1903	180TC	F-930-15-B9-G	GF1530CG	1,222	GB	68
							959	1438					4.66	2241	140TC	F-932-15-B7-G	GF1532BG	1,325	GB	87
							959	1438					4.66	2241	180TC	F-932-15-B9-G	GF1532CG	1,325	GB	87
								1409	2349				6.64	3118	180TC	F-938-15-B9-G	GF1538CG	1,618	GB	126
88	20:1	113	149	226								0.53	239	56C	F-913-20-B5-G	GF2013AG	479	GB	20	
		113	149	226								0.53	239	56C	F-913-20-B5-H	GF2013AH	507	GB	20	
		128	169	256								0.62	317	56C	F-915-20-B5-G	GF2015AG	512	GB	25	
		128	169	256								0.62	317	56C	F-915-20-B5-H	GF2015AH	543	GB	25	
			165	251	376								0.92	461	56C	F-918-20-B5-G	GF2018AG	525	GB	30
			165	251	376								0.92	461	56C	F-918-20-B5-J	GF2018AJ	525	GB	30
			165	251	376								0.92	461	56C	F-918-20-B5-H	GF2018AH	556	GB	30
				323	484	645							1.06	684	56C	F-921-20-B5-G	GF2021AG	657	GB	35
				323	484	645							1.06	684	56C	F-921-20-B5-J	GF2021AJ	657	GB	35
				323	484	645							1.06	684	56C	F-921G-20-B5-G	GF20G21AG	657	GB	35

**NOTE:**   Service Class I Torque Ratings (1.0 Service Factor)  
  Service Class II Torque Ratings ( $\geq 1.4$  Service Factor)  
  Service Class III Torque Ratings ( $\geq 2.0$  Service Factor)

See notes on inside back flap.

Vertical motor below gearhead not recommended. Avoiding those positions where the high speed oil seal is immersed in oil, will provide greater security against high speed input seal wear.

#### Assembly Types





### 900 Series – Right Angle – Quill Type – Solid Shaft continued...

Nominal Output RPM @ 1750 RPM In	Gear Ratio	Continuous Duty Output Torque (In-Lbs) Based on 1750 RPM Motor									Max Input Hp	Max Output Torque Rating In-Lbs	NEMA Motor Mount	Style Number	Catalog Number	List Price	Mult. Sym.	Ap'x Shpg. Wgt.	
		0.25	0.33	0.5	0.75	1	1.5	2	3	5									7.5
88	20:1		323	484	645							1.06	684	56C	F-921-20-B5-H	GF2021AH	692	GB	35
			323	484	645							1.06	684	140TC	F-921-20-B7-G	GF2021BG	657	GB	35
			323	484	645							1.06	684	140TC	F-921G-20-B7-G	GF20G21BG	657	GB	30
				451	602	902						1.72	1038	56C	F-924-20-B5-G	GF2024AG	775	GB	40
				451	602	902						1.72	1038	140TC	F-924-20-B7-G	GF2024BG	775	GB	40
					609	913	1218					2.15	1308	56C	F-926-20-B5-G	GF2026AG	899	GB	55
					609	913	1218					2.15	1308	140TC	F-926-20-B7-G	GF2026BG	899	GB	55
							880	1174	1761			3.31	1955	140TC	F-930-20-B7-G	GF2030BG	1,222	GB	68
							880	1174	1761			3.31	1955	180TC	F-930-20-B9-G	GF2030CG	1,222	GB	68
							880	1174	1761			3.31	1955	180TC	F-930-20-B9-J	GF2030CJ	1,222	GB	68
							924	1232	1848			3.85	2383	140TC	F-932-20-B7-G	GF2032BG	1,325	GB	87
							924	1232	1848			3.85	2383	180TC	F-932-20-B9-G	GF2032CG	1,325	GB	87
						1176	1764	2940		5.43	3193	180TC	F-938-20-B9-G	GF2038CG	1,618	GB	126		
70	25:1	119	157	238							0.50	238	56C	F-913-25-B5-G	GF2513AG	479	GB	20	
		156	206	312							0.51	318	56C	F-915-25-B5-G	GF2515AG	512	GB	25	
		156	206	312							0.51	318	56C	F-915-25-B5-H	GF2515AH	543	GB	25	
			183	277	416						0.8	444	56C	F-918-25-B5-G	GF2518AG	525	GB	28	
			183	277	416						0.8	444	56C	F-918-25-B5-J	GF2518AJ	525	GB	30	
			250	379	569						0.89	675	56C	F-921-25-B5-G	GF2521AG	657	GB	35	
			250	379	569						0.89	675	56C	F-921-25-B5-J	GF2521AJ	657	GB	35	
			250	379	569						0.89	675	56C	F-921G-25-B5-G	GF25G21AG	657	GB	40	
				365	547	729					1.37	1002	56C	F-924-25-B5-G	GF2524AG	775	GB	36	
				365	547	729					1.37	1002	140TC	F-924-25-B7-G	GF2524BG	775	GB	40	
					567	756	1134				1.73	1307	140TC	F-926-25-B7-G	GF2526BG	899	GB	55	
						711	1066	1422			2.78	1978	56C	F-930-25-B5-G	GF2530AG	1,222	GB	68	
						711	1066	1422			2.78	1978	140TC	F-930-25-B7-G	GF2530BG	1,222	GB	68	
							1134	1513	2269		3.13	2355	140TC	F-932-25-B7-G	GF2532BG	1,325	GB	87	
								1440	2160		4.50	3222	180TC	F-938-25-B9-H	GF2538CH	1,710	GB	126	
58	30:1	148	195								0.42	248	56C	F-913-30-B5-G	GF3013AG	479	GB	20	
		148	195								0.42	248	56C	F-913-30-B5-H	GF3013AH	507	GB	20	
		159	210	318							0.50	318	56C	F-915-30-B5-G	GF3015AG	512	GB	25	
		159	210	318							0.50	318	56C	F-915-30-B5-H	GF3015AH	543	GB	25	
			216	327							0.72	470	56C	F-918-30-B5-G	GF3018AG	525	GB	30	
			216	327							0.72	470	56C	F-918-30-B5-J	GF3018AJ	525	GB	30	
			216	327							0.72	470	56C	F-918-30-B5-H	GF3018AH	556	GB	30	
			275	416	624						0.83	691	56C	F-921-30-B5-G	GF3021AG	657	GB	35	
			275	416	624						0.83	691	56C	F-921-30-B5-J	GF3021AJ	657	GB	35	
			275	416	624						0.83	691	56C	F-921-30-B5-H	GF3021AH	692	GB	35	
			275	416	624						0.83	691	56C	F-921G-30-B5-G	GF30G21AG	657	GB	30	
				420	630	840					1.32	1111	56C	F-924-30-B5-G	GF3024AG	775	GB	40	
				420	630	840					1.32	1111	56C	F-924-30-B5-J	GF3024AJ	775	GB	40	
				420	630	840					1.32	1111	140TC	F-924-30-B7-G	GF3024BG	775	GB	40	
					641	854	1281				1.54	1313	56C	F-926-30-B5-G	GF3026AG	899	GB	55	
					641	854	1281				1.54	1313	140TC	F-926-30-B7-G	GF3026BG	899	GB	55	
						804	1206	1608			2.47	1978	56C	F-930-30-B5-G	GF3030AG	1,222	GB	68	
						804	1206	1608			2.47	1978	56C	F-930-30-B5-J	GF3030AJ	1,222	GB	68	
						804	1206	1608			2.47	1978	140TC	F-930-30-B7-G	GF3030BG	1,222	GB	68	
						881	1322	1763			2.81	2482	140TC	F-932-30-B7-G	GF3032BG	1,325	GB	87	
							1626	2438			3.97	3226	180TC	F-938-30-B9-G	GF3038CG	1,618	GB	126	

**NOTE:** Refer to Brochure CA1600 for Dimensions and Engineering Information.

See notes on inside back flap.

- Service Class I Torque Ratings (1.0 Service Factor)
- Service Class II Torque Ratings ( $\geq 1.4$  Service Factor)
- Service Class III Torque Ratings ( $\geq 2.0$  Service Factor)

Vertical motor below gearhead not recommended.

Avoiding those positions where the high speed oil seal is immersed in oil, will provide greater security against high speed input seal wear.

### 900 Series - Right Angle - Quill Type - Solid Shaft continued...

Nominal Output RPM @ 1750 RPM In	Gear Ratio	Continuous Duty Output Torque (In-Lbs) Based on 1750 RPM Motor										Max Input Hp	Max Output Torque Rating In-Lbs	NEMA Motor Mount	Style Number	Catalog Number	List Price	Mult. Sym.	Ap'x Shpg. Wgt.
		0.25	0.33	0.5	0.75	1	1.5	2	3	5	7.5								
44	40:1	174	230									0.33	230	56C	F-913-40-BG-G	GF4013AG	479	GB	20
		174	230									0.33	230	56C	F-913-40-B5-H	GF4013AH	507	GB	20
		208	275									0.38	317	56C	F-915-40-B5-G	GF4015AG	512	GB	25
		208	275									0.38	317	56C	F-915-40-B5-J	GF4015AJ	512	GB	25
		180	238	360								0.64	461	56C	F-918-40-B5-G	GF4018AG	525	GB	30
		180	238	360								0.64	461	56C	F-918-40-B5-J	GF4018AJ	525	GB	30
				340	515							0.66	680	56C	F-921-40-B5-G	GF4021AG	657	GB	35
				340	515							0.66	680	56C	F-921-40-B5-J	GF4021AJ	657	GB	35
					521	781						0.99	1030	56C	F-924-40-B5-G	GF4024AG	775	GB	40
					521	781						0.99	1030	56C	F-924-40-B5-J	GF4024AJ	775	GB	40
					521	781						0.99	1030	56C	F-924-40-B5-H	GF4024AH	819	GB	40
					524	786	1049					1.23	1296	56C	F-926-40-B5-G	GF4026AG	899	GB	55
					524	786	1049					1.23	1296	56C	F-926-40-B5-J	GF4026AJ	899	GB	55
					524	786	1049					1.23	1296	140TC	F-926-40-B7-G	GF4026BG	899	GB	55
						794	1059	1589				1.84	1960	56C	F-930-40-B5-G	GF4030AG	1,222	GB	68
						794	1059	1589				1.84	1960	140TC	F-930-40-B7-G	GF4030BG	1,222	GB	68
							1180	1620	2160			2.20	2374	140TC	F-932-40-B7-G	GF4032BG	1,325	GB	87
								1596	2129	3192		3.00	3192	180TC	F-938-40-B9-G	GF4038CG	1,618	GB	126
								1596	2129	3192		3.00	3192	180TC	F-938-40-B9-H	GF4038CH	1,710	GB	126
		35	50:1	177	234								0.33	234	56C	F-913-50-B5-G	GF5013AG	479	GB
177	234										0.33	234	56C	F-913-50-B5-H	GF5013AH	507	GB	20	
230	303										0.33	303	56C	F-915-50-B5-G	GF5015AG	512	GB	25	
222	294										0.49	436	56C	F-918-50-B5-G	GF5018AG	525	GB	30	
222	294										0.49	436	56C	F-918-50-B5-J	GF5018AJ	525	GB	30	
280	370			561								0.58	651	56C	F-921-50-B5-G	GF5021AG	657	GB	35
280	370			561								0.58	651	56C	F-921-50-B5-J	GF5021AJ	657	GB	35
280	370			561								0.58	651	56C	F-921-50-B5-H	GF5021AH	692	GB	35
				401	608	912						0.83	1014	56C	F-924-50-B5-G	GF5024AG	775	GB	40
					621	932	1242					1.00	1242	56C	F-926-50-B5-G	GF5026AG	899	GB	55
					621	932	1242					1.00	1242	140TC	F-926-50-B7-G	GF5026BG	899	GB	55
						850	1134	1701				1.67	1890	56C	F-930-50-B5-G	GF5030AG	1,222	GB	68
						850	1134	1701				1.67	1890	140TC	F-930-50-B7-G	GF5030BG	1,222	GB	68
						958	1278	1917				1.83	2366	56C	F-932-50-B5-G	GF5032AG	1,325	GB	87
						958	1278	1917				1.83	2366	140TC	F-932-50-B7-G	GF5032BG	1,325	GB	87
							1152	1729	2305			2.67	3076	140TC	F-938-50-B7-G	GF5038BG	1,618	GB	126
							1152	1729	2305			2.67	3076	140TC	F-938-50-B7-H	GF5038BH	1,710	GB	126
29	60:1			218	288								0.33	288	56C	F-915-60-B5-G	GF6015AG	512	GB
		218	288								0.33	288	56C	F-915-60-B5-H	GF6015AH	543	GB	25	
		220	290								0.47	413	56C	F-918-60-B5-G	GF6018AG	525	GB	30	
		220	290								0.47	413	56C	F-918-60-B5-J	GF6018AJ	525	GB	30	
		220	290								0.47	413	56C	F-918-60-B5-H	GF6018AH	556	GB	30	

**NOTE:**  Service Class I Torque Ratings (1.0 Service Factor)  
 Service Class II Torque Ratings ( $\geq 1.4$  Service Factor)  
 Service Class III Torque Ratings ( $\geq 2.0$  Service Factor)

See notes on inside back flap.

Vertical motor below gearhead not recommended.  
 Avoiding those positions where the high speed oil seal is immersed in oil, will provide greater security against high speed input seal wear.

### 900 Series – Right Angle – Quill Type – Solid Shaft continued...

Nominal Output RPM @ 1750 RPM In	Gear Ratio	Continuous Duty Output Torque (In-Lbs) Based on 1750 RPM Motor										Max Input Hp	Max Output Torque Rating In-Lbs	NEMA Motor Mount	Style Number	Catalog Number	List Price	Mult. Sym.	Ap'x Shpg. Wgt.	
		0.25	0.33	0.5	0.75	1	1.5	2	3	5	7.5									
29	60:1	317	418	634								0.50	634	56C	F-921-60-B5-G	GF6021AG	657	GB	35	
		317	418	634								0.50	634	56C	F-921-60-B5-H	GF6021AH	692	GB	35	
		317	418	634								0.50	634	56C	F-921-60-B5-J	GF6021AJ	657	GB	35	
			458	693								0.69	958	56C	F-924-60-B5-G	GF6024AG	775	GB	40	
			458	693								0.69	958	56C	F-924-60-B5-J	GF6024AJ	775	GB	40	
			473	716	1074							0.82	1166	56C	F-926-60-B5-G	GF6026AG	899	GB	55	
			473	716	1074							0.82	1166	56C	F-926-60-B5-J	GF6026AJ	899	GB	55	
			473	716	1074							0.82	1166	56C	F-926-60-B5-H	GF6026AH	947	GB	55	
					896	1195	1795						1.50	1795	56C	F-930-60-B5-G	GF6030AG	1,222	GB	68
					896	1195	1795						1.50	1795	140TC	F-930-60-B7-G	GF6030BG	1,222	GB	68
					1100	1467	2200						1.54	2255	56C	F-932-60-B5-G	GF6032AG	1,325	GB	87
					1100	1467	2200						1.54	2255	140TC	F-932-60-B7-G	GF6032BG	1,325	GB	87
						1254	1881	2508					2.33	2921	140TC	F-938-60-B7-G	GF6038BG	1,618	GB	126
						1254	1881	2508					2.33	2921	140TC	F-938-60-B7-H	GF6038BH	1,710	GB	126

**NOTE:**   Service Class I Torque Ratings (1.0 Service Factor)  
  Service Class II Torque Ratings ( $\geq 1.4$  Service Factor)  
  Service Class III Torque Ratings ( $\geq 2.0$  Service Factor)

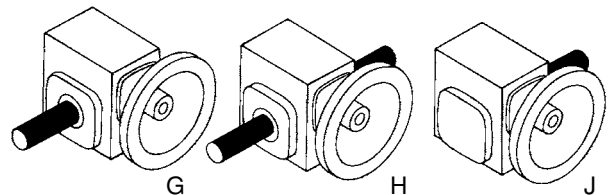
See notes on inside back flap.

Suffix G = Left hand output facing input  
 J = Right hand output facing input  
 H = Double Output Shaft

Vertical motor below gearhead not recommended.

Avoiding those positions where the high speed oil seal is immersed in oil, will provide greater security against high speed input seal wear.

Assembly Types



Gearmotors and Gear Products

PT Components

Motor Accessories

Grinders

Generators

Servo Motors and Controls

Mod Express

Baldor Education Workshops

Classifications and Sales Offices

EISA Compliance Table & Index

### 900 Series - Right Angle - Quill Type Hollow Shaft



1.33 thru 3.25 CD

56C thru 180TC

**Applications:** Ideal for conveyors, material handling, textile machines, packaging machinery. etc. (slow speed and high torque).

**Features:** Heavy duty cast iron housing, chill cast bronze gearing, precision ground hardened worm, ball bearing on input shaft, tapered roller bearings on output shaft. Industry-standard mounting dimensions. Pre-filled with food grade (H1) Klubersynth UH1-6-460 synthetic oil, sealed housing provides maintenance-free lubed for life operation.

Nominal Output RPM @ 1750 RPM In	Gear Ratio	Continuous Duty Output Torque (In-Lbs) Based on 1750 RPM Motor										Max Input Hp	Max Output Torque Rating In-Lbs	NEMA Motor Mount	Style Number	Catalog Number	List Price	Mult. Sym.	Ap'x Shpg. Wgt.
		0.25	0.33	0.5	0.75	1	1.5	2	3	5	7.5								
350	5:1		75	112	149							1.00	165	56C	HF-913-05-B5-H	GHF0513AH	631	GB	20
						160	240	320				2.00	320	56C	HF-918-05-B5-H	GHF0518AH	675	GB	30
175	10:1			214	285	428						1.50	428	56C	HF-918-10-B5-H	GHF1018AH	675	GB	30
						312	468	624				2.02	630	56C	HF-921-10-B5-H	GHF1021AH	801	GB	35
								641	961	1602		5.48	1755	180TC	HF-930-10-B9-H	GHF1030CH	1,452	GB	75
117	15:1	89	118	179								0.66	25	56C	HF-913-15-B5-H	GHF1513AH	631	GB	20
				209	314	419						1.07	448	56C	HF-918-15-B5-H	GHF1518AH	675	GB	30
				246	369	492						1.35	664	56C	HF-921-15-B5-H	GHF1521AH	801	GB	35
						470	705	939				2.11	992	56C	HF-924-15-B5-H	GHF1524AH	963	GB	45
88	20:1					686	915	1373				4.14	1903	140TC	HF-930-15-B7-H	GHF1530BH	1,452	GB	75
		113	149	226								0.53	239	56C	HF-913-20-B5-H	GHF2013AH	631	GB	20
			165	251	376							0.92	461	56C	HF-918-20-B5-H	GHF2018AH	675	GB	30
				323	484	645						1.06	684	56C	HF-921-20-B5-H	GHF2021AH	801	GB	35
					451	602	902					1.72	1038	56C	HF-924-20-B5-H	GHF2024AH	963	GB	45
70	25				609	913	1218				2.15	1309	56C	HF-926-20-B5-H	GHF2026AH	1,136	GB	56	
						880	1174	1761			3.31	1955	140TC	HF-930-20-B7-H	GHF2030BH	1,452	GB	75	
		183	277	416								0.80	444	56C	HF-918-25-B5-H	GHF2518AH	675	GB	23
		250	379	569								0.89	675	56C	HF-921-25-B5-H	GHF2521AH	801	GB	32
58	30:1				567	756	1134				1.73	1307	140TC	HF-926-25-B7-H	GHF2526BH	1,136	GB	44	
						711	1066	1422			2.78	1978	140TC	HF-930-25-B7-H	GHF2530BH	1,452	GB	88	
		148	195									0.42	248	56C	HF-913-30-B5-H	GHF3013AH	631	GB	20
				216	327							0.72	470	56C	HF-918-30-B5-H	GHF3018AH	675	GB	30
				275	416	624						0.83	691	56C	HF-921-30-B5-H	GHF3021AH	801	GB	35
					420	630	840					1.32	1111	56C	HF-924-30-B5-H	GHF3024AH	963	GB	45
44	40:1				641	854	1281				1.54	1313	56C	HF-926-30-B5-H	GHF3026AH	1,136	GB	56	
						804	1206	1608			2.47	1978	140TC	HF-930-30-B7-H	GHF3030BH	1,452	GB	75	
						881	1322	1763			2.81	2462	140TC	HF-932-30-B7-H	GHF3032BH	1,574	GB	95	
		180	238	360								0.64	461	56C	HF-918-40-B5-H	GHF4018AH	675	GB	30
			340	515								0.66	680	56C	HF-921-40-B5-H	GHF4021AH	801	GB	35
35	50:1										0.99	1030	56C	HF-924-40-B5-H	GHF4024AH	963	GB	45	
					524	786	1049				1.23	1296	56C	HF-926-40-B5-H	GHF4026AH	1,136	GB	56	
					524	786	1049				1.23	1296	140TC	HF-926-40-B7-H	GHF4026BH	1,136	GB	56	
						1074	1611	2148			2.20	2374	140TC	HF-932-40-B7-H	GHF4032BH	1,574	GB	95	
		177	234									0.33	234	56C	HF-913-50-B5-H	GHF5013AH	631	GB	20
			222	294								0.49	436	56C	HF-918-50-B5-H	GHF5018AH	675	GB	30
29	60:1	280	370	561							0.58	651	56C	HF-921-50-B5-H	GHF5021AH	801	GB	35	
			401	608	912						0.83	1014	56C	HF-924-50-B5-H	GHF5024AH	963	GB	45	
					850	1134	1701				1.67	1890	56C	HF-930-50-B5-H	GHF5030AH	1,452	GB	75	
					958	1278	1917				1.83	2366	56C	HF-932-50-B5-H	GHF5032AH	1,574	GB	95	
29	60:1	220	290								0.47	413	56C	HF-918-60-B5-H	GHF6018AH	675	GB	30	
			317	418	634						0.50	634	56C	HF-921-60-B5-H	GHF6021AH	801	GB	35	
				458	693						0.69	958	56C	HF-924-60-B5-H	GHF6024AH	963	GB	45	
				473	716	1074					0.82	1166	56C	HF-926-60-B5-H	GHF6026AH	1,136	GB	56	
						896	1195	1795			1.50	1795	56C	HF-930-60-B5-H	GHF6030AH	1,452	GB	75	
				1100	1467	2200			1.54	2255	56C	HF-932-60-B5-H	GHF6032AH	1,574	GB	95			

**NOTE:**   Service Class I Torque Ratings (1.0 Service Factor)  
  Service Class II Torque Ratings (≥ 1.4 Service Factor)  
  Service Class III Torque Ratings (≥ 2.0 Service Factor)

See notes on inside back flap.

Vertical motor below gearhead not recommended

Avoiding those positions where the high speed oil seal is immersed in oil, will provide greater security against high speed input seal wear.

### Stainless Steel – Right Angle – Quill Type Solid Shaft



1.75 thru 2.62 CD

56C thru 140TC

**Applications:** Baldor's all stainless speed reducers are easy to clean and sanitize, minimizing bacterial contamination for food processing equipment. Stainless steel provides the high protection for pharmaceutical and chemical processing applications where harsh chemicals and cleaning solutions can be extremely corrosive to aluminum, cast iron and other materials.

**Features:** Housing and covers are cast stainless steel to endure hostile environments. 300 Series stainless output shafts and all stainless steel hardware for long rust resistant life. O-ring sealed housing and motor interface helps keeps contaminants out. Pre-filled with food grade (H1) Klubersynth UH1-6-460 synthetic oil. Sealed housing provides maintenance-free lubed for life operation. BISSC certified (Baking Industry Sanitation Standards Committee).

Nominal Output RPM @ 1750 RPM In	Gear Ratio	Continuous Duty Output Torque (In-Lbs) Based on 1750 RPM Motor									Max Input Hp	Max Output Torque Rating In-Lbs	NEMA Motor Mount	Style Number	Catalog Number	List Price	Mult. Sym.	Ap'x Shpg. Wgt.		
		0.25	0.33	0.5	0.75	1	1.5	2	3	5									7.5	
350	5:1					160	240	320				2.00	320	56C	SSF-918-05-B5-G	SSGF0518AG	1,626	GB	30	
						160	240	320				2.00	320	140TC	SSF-918-05-B7-G	SSGF0518BG	1,626	GB	30	
						246	327	491				3.14	514	140TC	SSF-921-05-B7-G	SSGF0521BG	1,903	GB	35	
								339	508	847			5.43	919	140TC	SSF-926-05-B7-G	SSGF0526BG	2,676	GB	65
175	10:1			214	285	428						1.50	428	56C	SSF-918-10-B5-G	SSGF1018AG	1,626	GB	30	
				214	285	428						1.50	428	140TC	SSF-918-10-B7-G	SSGF1018BG	1,626	GB	30	
						312	468	624					2.02	630	140TC	SSF-921-10-B7-G	SSGF1021BG	1,903	GB	35
								655	983				3.59	1177	140TC	SSF-926-10-B7-G	SSGF1026BG	2,676	GB	65
117	15:1			209	314	419						1.07	448	56C	SSF-918-15-B5-G	SSGF1518AG	1,626	GB	30	
				246	369	492						1.35	664	56C	SSF-921-15-B5-G	SSGF1521AG	1,903	GB	35	
						473	710	947				2.58	1225	140TC	SSF-926-15-B7-G	SSGF1526BG	2,676	GB	65	
88	20:1		165	251	376							0.92	461	56C	SSF-918-20-B5-G	SSGF2018AG	1,626	GB	30	
			323	484	645							1.06	684	56C	SSF-921-20-B5-G	SSGF2021AG	1,903	GB	35	
				609	913	1218						2.15	1308	140TC	SSF-926-20-B7-G	SSGF2026BG	2,676	GB	65	
70	25:1		183	277	416							0.80	444	56C	SSF-918-25-B5-G	SSGF2518AG	1,626	GB	30	
			250	379	569							0.89	675	56C	SSF-921-25-B5-G	SSGF2521AG	1,903	GB	35	
				567	756	1134						1.73	1307	140TC	SSF-926-25-B7-G	SSGF2526BG	2,676	GB	65	
58	30:1		216	327								0.72	470	56C	SSF-918-30-B5-G	SSGF3018AG	1,626	GB	30	
			275	416	624							0.83	691	56C	SSF-921-30-B5-G	SSGF3021AG	1,903	GB	35	
				641	854	1281						1.54	1313	140TC	SSF-926-30-B7-G	SSGF3026BG	2,676	GB	65	
44	40:1	180	238	360							0.64	461	56C	SSF-918-40-B5-G	SSGF4018AG	1,626	GB	30		
		340	515								0.66	680	56C	SSF-921-40-B5-G	SSGF4021AG	1,903	GB	35		
		524	786	1049							1.23	1296	140TC	SSF-926-40-B7-G	SSGF4026BG	2,676	GB	65		
35	50:1	222	294								0.49	436	56C	SSF-918-50-B5-G	SSGF5018AG	1,626	GB	30		
		280	370	561							0.58	651	56C	SSF-921-50-B5-G	SSGF5021AG	1,903	GB	35		
		621	932	1242							1.00	1242	56C	SSF-926-50-B5-G	SSGF5026AG	2,676	GB	65		
29	60:1	220	290								0.47	413	56C	SSF-918-60-B5-G	SSGF6018AG	1,626	GB	30		
		317	418	634							0.50	634	56C	SSF-921-60-B5-G	SSGF6021AG	1,903	GB	35		
		473	716	1074							0.82	1166	56C	SSF-926-60-B5-G	SSGF6026AG	2,676	GB	65		

**NOTE:**  Service Class I Torque Ratings (1.0 Service Factor)  
 Service Class II Torque Ratings ( $\geq 1.4$  Service Factor)  
 Service Class III Torque Ratings ( $\geq 2.0$  Service Factor)

Refer to Brochure CA1600 for Dimensions and Engineering Information. See notes on inside back flap.

Vertical motor below gearhead not recommended.  
 Avoiding those positions where the high speed oil seal is immersed in oil, will provide greater security against high speed input seal wear.  
 Horizontal bases, SSB18H71, SSB21H71 and SSB26H71, are available, see page 393.



### Stainless Steel - Right Angle - Quill Type Hollow Shaft

1.75 thru 2.62 CD

56C thru 140TC

**Applications:** Baldor's all stainless speed reducers are easy to clean and sanitize, minimizing bacterial contamination for food processing equipment. Stainless steel provides the high protection for pharmaceutical and chemical processing applications where harsh chemicals and cleaning solutions can be extremely corrosive to aluminum, cast iron and other materials.

**Features:** Housing and covers are cast stainless steel to endure hostile environments. 300 Series stainless output shafts and all stainless steel hardware for long rust resistant life. O-ring sealed housing and motor interface helps keeps contaminants out. Pre-filled with food grade (H1) Klubersynth UH1-6-460 synthetic oil. Sealed housing provides maintenance-free lubed for life operation. BISSC certified (Baking Industry Sanitation Standards Committee).



SSGHF2026AH Shown

Nominal Output RPM @ 1750 RPM In	Gear Ratio	Continuous Duty Output Torque (In-Lbs) Based on 1750 RPM Motor									Max Input Hp	Max Output Torque Rating In-Lbs	NEMA Motor Mount	Style Number	Catalog Number	List Price	Mult. Sym.	Ap'x Shpg. Wgt.
		0.25	0.33	0.5	0.75	1	1.5	2	3	5								
350	5:1					160	240	320			2.00	320	56C	SSHF-918-05-B5-H	SSGHF0518AH	1,717	GB	30
175	10:1			214	285	428					1.50	428	56C	SSHF-918-10-B5-H	SSGHF1018AH	1,717	GB	30
					312	468	624				2.20	630	56C	SSHF-921-10-B5-H	SSGHF1021AH	1,989	GB	38
117	15:1								990	1649	6.36	2106	180TC	SSHF-932-10-B9-H	SSGHF1032CH	4,407	GB	100
			209	314	419						1.07	448	56C	SSHF-918-15-B5-H	SSGHF1518AH	1,717	GB	30
88	20:1										1.35	664	56C	SSHF-921-15-B5-H	SSGHF1521AH	1,989	GB	38
								959	1438		4.66	2241	180TC	SSHF-932-15-B9-H	SSGHF1532CH	4,407	GB	100
58	30:1		165	251	376						0.92	461	56C	SSHF-918-20-B5-H	SSGHF2018AH	1,717	GB	30
											1.06	684	56C	SSHF-921-20-B5-H	SSGHF2021AH	1,989	GB	38
44	40:1										2.15	1309	56C	SSHF-926-20-B5-H	SSGHF2026AH	2,862	GB	60
											3.85	2383	180TC	SSHF-932-20-B9-H	SSGHF2032CH	4,407	GB	100
35	50:1										0.72	470	56C	SSHF-918-30-B5-H	SSGHF3018AH	1,717	GB	30
											0.83	691	56C	SSHF-921-30-B5-H	SSGHF3021AH	1,989	GB	38
29	60:1										1.54	1313	56C	SSHF-926-30-B5-H	SSGHF3026AH	2,862	GB	60
											2.81	2482	140TC	SSHF-932-39-B7-H	SSGHF3032BH	4,407	GB	100
35	50:1		222	294							0.64	461	56C	SSHF-918-40-B5-H	SSGHF4018AH	1,717	GB	30
											0.66	680	56C	SSHF-921-40-B5-H	SSGHF4021AH	1,989	GB	38
29	60:1										1.23	1296	56C	SSHF-926-40-B5-H	SSGHF4026AH	2,862	GB	60
											1.23	1296	140TC	SSHF-926-40-B7-H	SSGHF4026BH	2,862	GB	60
35	50:1										2.20	2374	140TC	SSHF-932-40-B7-H	SSGHF4032BH	4,407	GB	100
											0.49	436	56C	SSHF-918-50-B5-H	SSGHF5018AH	1,717	GB	30
29	60:1										0.58	651	56C	SSHF-921-50-B5-H	SSGHF5021AH	1,989	GB	38
											1.00	1242	56C	SSHF-926-50-B5-H	SSGHF5026AH	2,862	GB	53
35	50:1										1.83	2366	140TC	SSHF-932-50-B7-H	SSGHF5032BH	4,407	GB	100
											0.47	413	56C	SSHF-918-60-B5-H	SSGHF6018AH	1,717	GB	30
29	60:1										0.50	634	56C	SSHF-921-60-B5-H	SSGHF6021AH	1,989	GB	38
											0.82	1166	56C	SSHF-926-60-B5-H	SSGHF6026AH	2,862	GB	60
										1.54	2255	140TC	SSHF-932-60-B7-H	SSGHF6032BH	4,407	GB	100	

**NOTE:**  Service Class I Torque Ratings (1.0 Service Factor) Refer to Brochure CA1600 for Dimensions and Engineering Information.  
 Service Class II Torque Ratings (≥ 1.4 Service Factor) See notes on inside back flap.  
 Service Class III Torque Ratings (≥ 2.0 Service Factor)

Vertical motor below gearhead not recommended.  
 Avoiding those positions where the high speed oil seal is immersed in oil, will provide greater security against high speed input seal wear.  
 Horizontal bases, SSB18H71, SSB21H71 and SSB26H71, are available, see page 393.



### Washdown – Right Angle – Quill Type Solid Shaft



WDGF1018AG Shown

1.33 thru 3.25 CD

56C thru 140TC

**Applications:** Food processing and other applications regularly exposed to high pressure washdown.

**Features:** Epoxy coated, heavy-duty cast iron housing. Stainless steel output shaft and hardware. Sealed housing, provides maintenance-free, lubed for life operation. Pre-filled with food grade (H1) Klubersynth synthetic oil. Industry standard mounting dimensionally interchangeable with many other worm gear reducers. BISSC certified (Baking Industry Sanitation Standards Committee).

Nominal Output RPM @ 1750 RPM In	Gear Ratio	Continuous Duty Output Torque (In-Lbs) Based on 1750 RPM Motor										Max Input Hp	Max Output Torque Rating In-Lbs	NEMA Motor Mount	Style Number	Catalog Number	List Price	Mult. Sym.	Ap'x Shpg. Wgt.	
		0.25	0.33	0.5	0.75	1	1.5	2	3	5	7.5									
350	5:1					160	240	320				2.00	320	56C	WDF-918-05-B5-G	WDGF0518AG	642	GB	30	
175	10:1	82	125	187								0.90	225	56C	WDF-913-10-B5-G	WDGF1013AG	597	GB	20	
			141	211	282								1.03	290	56C	WDF-915-10-B5-G	WDGF1015AG	631	GB	25
			141	211	282								1.03	290	140TC	WDF-915-10-B7-G	WDGF1015BG	631	GB	25
				214	285	428							1.50	428	56C	WDF-918-10-B5-G	WDGF1018AG	642	GB	30
					312	468	624						2.20	630	56C	WDF-921-10-B5-G	WDGF1021AG	791	GB	35
						317	475	634					2.73	893	140TC	WDF-924-10-B7-G	WDGF1024BG	926	GB	40
117	15:1	89	118	179								0.66	225	56C	WDF-913-15-B5-G	WDGF1513AG	597	GB	20	
			127	193	289								0.81	312	56C	WDF-915-15-B5-G	WDGF1515AG	631	GB	25
				209	314	419							1.07	448	56C	WDF-918-15-B5-G	WDGF1518AG	642	GB	30
				246	369	492							1.35	664	56C	WDF-921-15-B5-G	WDGF1521AG	791	GB	35
						470	705	939					2.11	992	56C	WDF-924-15-B5-G	WDGF1524AG	926	GB	40
88	20:1	113	149	226								0.53	239	56C	WDF-913-20-B5-G	WDGF2013AG	597	GB	20	
			128	169	256								0.62	317	56C	WDF-915-20-B5-G	WDGF2015AG	631	GB	25
				165	251	376							0.92	461	56C	WDF-918-20-B5-G	WDGF2018AG	642	GB	30
						609	913	1218					2.15	1309	140TC	WDF-926-20-B7-G	WDGF2026BG	1,058	GB	55
58	30:1	216	327									0.72	470	56C	WDF-918-30-B5-G	WDGF3018AG	642	GB	30	
			275	416	624								0.83	691	56C	WDF-921-30-B5-G	WDGF3021AG	791	GB	35
				420	630	840							1.32	111	56C	WDF-924-30-B5-G	WDGF3024AG	926	GB	40
					641	854	1281						1.54	1313	56C	WDF-926-30-B5-G	WDGF3026AG	1,058	GB	55
						881	1322	1763					2.81	2462	140TC	WDF-932-30-B7-G	WDGF3032BG	1,553	GB	87
44	40:1	208	275									0.44	317	56C	WDF-915-40-B5-G	WDGF4015AG	631	GB	25	
			180	238	360								0.64	461	56C	WDF-918-40-B5-G	WDGF4018AG	642	GB	30
				340	515								0.66	680	56C	WDF-921-40-B5-G	WDGF4021AG	791	GB	35
					521	781							0.99	1030	56C	WDF-924-40-B5-G	WDGF4024AG	926	GB	40
					524	786	1049						1.23	1296	56C	WDF-926-40-B5-G	WDGF4026AG	1,058	GB	55
						1081	1622	2163					2.20	2374	140TC	WDF-932-40-B7-G	WDGF4032BG	1,553	GB	87
35	50:1	177	234									0.33	234	56C	WDF-913-50-B5-G	WDGF5013AG	597	GB	20	
			230	303									0.33	303	56C	WDF-915-50-B5-G	WDGF5015AG	631	GB	25
				280	370	561							0.58	651	56C	WDF-921-50-B5-G	WDGF5021AG	791	GB	35
					401	608	912						0.83	1014	56C	WDF-924-50-B5-G	WDGF5024AG	926	GB	40
						621	932	1242					1.00	1242	56C	WDF-926-50-B5-G	WDGF5026AG	1,058	GB	55
						958	1278	1917					1.83	2366	140TC	WDF-932-50-B7-G	WDGF5032BG	1,553	GB	92
29	60:1	218	288									0.33	288	56C	WDF-915-60-B5-G	WDGF6015AG	631	GB	25	
			220	290									0.47	413	56C	WDF-918-60-B5-G	WDGF6018AG	642	GB	30
				317	418	634							0.50	634	56C	WDF-921-60-B5-G	WDGF6021AG	791	GB	35
					458	693							0.69	956	56C	WDF-924-60-B5-G	WDGF6024AG	926	GB	40
					473	716	1074						0.82	1166	56C	WDF-926-60-B5-G	WDGF6026AG	1,058	GB	55
						1100	1467	2200					1.54	2255	56C	WDF-932-60-B5-G	WDGF6032AG	1,553	GB	87

**NOTE:**   Service Class I Torque Ratings (1.0 Service Factor) See notes on inside back flap.  
  Service Class II Torque Ratings (≥ 1.4 Service Factor)  
  Service Class III Torque Ratings (≥ 2.0 Service Factor)

Vertical motor below gearhead not recommended.  
 Avoiding those positions where the high speed oil seal is immersed in oil, will provide greater security against high speed input seal wear.

Gearmotors and Gear Products

PT Components

Motor Accessories

Grinders

Generators

Servo Motors and Controls

Mod Express

Baldor Education Workshops

Classifications and Sales Offices

EISA Compliance Table & Index

### 900 Series - Right Angle - Coupling Type - Solid Shaft

1.33 thru 3.75 CD

56C thru 180TC

**Applications:** Ideal for conveyors, material handling, textile machines, packaging machinery, etc. (slow speed and high torque).

**Features:** Heavy duty cast iron housings, chill cast bronze gears, precision ground hardened worm, ball bearings on input shaft, tapered roller bearings on output shaft. Industry-standard mounting dimensions. Pre-filled with food grade (H1) Klubersynth UH1-6-460 synthetic oil, sealed housing provides maintenance-free lubed for life operation. Motor coupling included.



GLF1018AG Shown

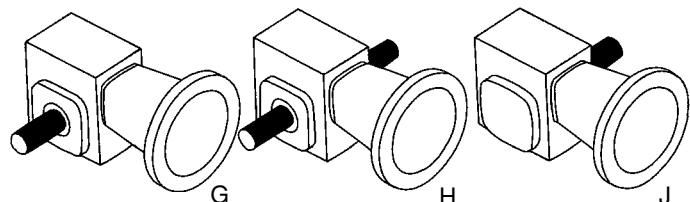
Nominal Output RPM @ 1750 RPM In	Gear Ratio	Continuous Duty Output Torque (In-Lbs) Based on 1750 RPM Motor										Max Input Hp	Max Output Torque Rating In-Lbs	NEMA Motor Mount	Style Number	Catalog Number	List Price	Mult. Sym.	Ap'x Shpg. Wgt.	
		0.25	0.33	0.5	0.75	1	1.5	2	3	5	7.5									
350	5:1			115	154	231						1.50	231	56C	LF-915-05-B5-G	GLF0515AG	533	GB	30	
223	7.5:1				237	356	474					2.70	640	56C	LF-921-7.5-B5-G	GLF0821AG	675	GB	38	
					237	356	474					2.70	640	56C	LF-921-7.5-B5-J	GLF0821AJ	675	GB	38	
					237	356	474					2.70	640	140TC	LF-921-7.5-B7-G	GLF0821BG	675	GB	38	
								501	752				4.30	1079	140TC	LF-926-7.5-B7-G	GLF0826BG	926	GB	60
								501	752				4.30	1079	180TC	LF-926-7.5-B9-G	GLF0826CG	926	GB	60
175	10:1			214	285	428						1.50	428	56C	LF-918-10-B5-G	GLF1018AG	547	GB	32	
					312	468	624					2.02	630	56C	LF-921-10-B5-G	GLF1021AG	675	GB	38	
					312	468	624					2.02	630	140TC	LF-921-10-B7-G	GLF1021BG	675	GB	38	
					312	468	624					2.02	630	140TC	LF-921-10-B7-J	GLF1021BJ	675	GB	38	
					317	475	634					2.73	893	140TC	LF-924-10-B7-G	GLF1024BG	793	GB	45	
								655	983				3.59	1177	140TC	LF-926-10-B7-G	GLF1026BG	926	GB	60
								655	983				3.59	1177	180TC	LF-926-10-B9-G	GLF1026CG	926	GB	60
117	15:1		89	118	179							0.66	2228	56C	LF-913-15-B5-G	GLF1513AG	490	GB	20	
				246	369	492						1.35	664	56C	LF-921-15-B5-G	GLF1521AG	675	GB	38	
				246	369	492						1.35	664	56C	LF-921-15-B5-J	GLF1521AJ	675	GB	38	
					473	710	947					2.58	1225	140TC	LF-926-15-B7-G	GLF1526BG	926	GB	60	
					473	710	947					2.58	1225	140TC	LF-926-15-B7-J	GLF1526BJ	926	GB	60	
								959	1438				4.66	2241	180TC	LF-932-15-B9-G	GLF1532CG	1,350	GB	100
								959	1438				4.66	2241	180TC	LF-932-15-B9-J	GLF1532CJ	1,350	GB	100
88	20:1		113	149	226							0.53	239	56C	LF-913-20-B5-G	GLF2013AG	490	GB	20	
			165	251	376							0.92	464	56C	LF-918-20-B5-G	GLF2018AG	547	GB	32	
			323	484	645					1409	2349	6.64	3118	180TC	LF-938-15-B9-G	GLF1538CG	1,648	GB	130	
											1.06	684	56C	LF-921-20-B5-G	GLF2021AG	675	GB	38		

**NOTE:**  Service Class I Torque Ratings (1.0 Service Factor)  
 Service Class II Torque Ratings ( $\geq 1.4$  Service Factor)  
 Service Class III Torque Ratings ( $\geq 2.0$  Service Factor)

Optional Shaft Positions, Base Installation and Motor Mounting available through Mod Express.  
 Refer to a Baldor District Office for pricing and delivery.  
 See notes on inside back flap.

Vertical motor below gearhead not recommended.  
 Avoiding those positions where the high speed oil seal is immersed in oil, will provide greater security against high speed input seal wear.

#### Assembly Types



### 900 Series – Right Angle – Coupling Type – Solid Shaft continued...

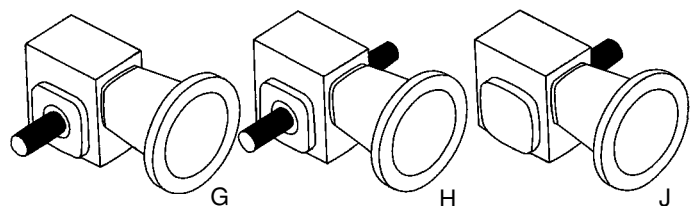
Nominal Output RPM @ 1750 RPM In	Gear Ratio	Continuous Duty Output Torque (In-Lbs) Based on 1750 RPM Motor										Max Input Hp	Max Output Torque Rating In-Lbs	NEMA Motor Mount	Style Number	Catalog Number	List Price	Mult. Sym.	Ap'x Shpg. Wgt.
		0.25	0.33	0.5	0.75	1	1.5	2	3	5	7.5								
88	20:1			323	484	645						1.06	684	56C	LF-921-20-B5-J	GLF2021AJ	675	GB	38
						609	913	1218				2.15	1308	140TC	LF-926-20-B7-G	GLF2026BG	926	GB	60
						609	913	1218				2.15	1308	140TC	LF-926-20-B7-J	GLF2026BJ	926	GB	60
							924	1232	1848			3.85	2383	180TC	LF-932-20-B9-G	GLF2032CG	1,350	GB	100
70	25:1	156	296	312								0.51	318	56C	LF-915-25-B5-G	GLF2515AG	533	GB	30
			183	277	416							0.80	444	56C	LF-918-25-B5-B	GLF2518AG	547	GB	32
			250	379	549							0.89	675	56C	LF-921-25-B5-G	GLF2521AG	675	GB	38
			250	379	569							0.89	675	56C	LF-921-25-B5-J	GLF2521AJ	675	GB	38
					567	756	1134					1.73	1307	56C	LF-926-25-B5-G	GLF2526AG	926	GB	60
					567	756	1134					1.73	1307	140TC	LF-926-25-B7-G	GLF2526BG	926	GB	60
					567	756	1134					1.73	1307	140TC	LF-926-25-B7-J	GLF2526BJ	926	GB	60
							1134	1513	2269			3.13	2355	140TC	LF-932-25-B7-G	GLF2532BG	1,350	GB	100
							1134	1513	2269			3.13	2355	180TC	LF-932-25-B9-G	GLF2532CG	1,350	GB	100
							1134	1513	2269			3.13	2355	180TC	LF-932-25-B9-J	GLF2532CJ	1,350	GB	100
58	30:1	148	195								0.42	248	56C	LF-913-30-B5-G	GLF3013AG	490	GB	20	
		159	210	318							0.50	318	56C	LF-915-30-B5-G	GLF3015AG	533	GB	30	
			216	327							0.72	470	56C	LF-918-30-B5-G	GLF3018AG	547	GB	32	
			216	327							0.72	470	56C	LF-918-30-B5-J	GLF3018AJ	547	GB	32	
			275	416	624						0.83	691	56C	LF-921-30-B5-G	GLF3021AG	675	GB	38	
				420	630	840					1.32	1111	56C	LF-924-30-B5-G	GLF3024AG	793	GB	45	
					641	854	1281				1.54	1313	140TC	LF-926-30-B7-G	GLF3026BG	926	GB	60	
					641	854	1281				1.54	1313	140TC	LF-926-30-B7-J	GLF3026BJ	926	GB	60	
						881	1322	1763			2.81	2482	180TC	LF-932-30-B9-G	GLF3032CG	1,350	GB	100	
							1626	2438			3.97	3226	180TC	LF-938-30-B9-G	GLF3038CG	1,648	GB	130	
44	40:1	180	238	360							0.64	461	56C	LF-918-40-B5-G	GLF4018AG	547	GB	32	
				521	781						0.99	1030	56C	LF-924-40-B5-G	GLF4024AG	793	GB	45	
				524	786	1049					1.23	1296	56C	LF-926-40-B5-G	GLF4026AG	926	GB	60	
					1180	1620	2160			2.20	2374	140TC	LF-932-40-B7-G	GLF4032BG	1,350	GB	100		
					1596	2129	3192			3.00	3192	180TC	LF-938-40-B9-G	GLF4038CG	1,648	GB	130		
35	50:1	280	370	561							0.58	651	56C	LF-921-50-B5-G	GLF5021AG	675	GB	38	
				621	932	1242					1.00	1242	56C	LF-926-50-B5-G	GLF5026AG	926	GB	60	
29	60:1	218	288								0.33	288	56C	LF-915-60-B5-G	GLF6015AG	533	GB	30	
		220	290								0.47	413	56C	LF-918-60-B5-G	GLF6018AG	547	GB	32	
		317	418	634							0.50	634	56C	LF-921-60-B5-G	GLF6021AG	675	GB	38	
			473	716	1074						0.82	1166	56C	LF-926-60-B5-G	GLF6026AG	926	GB	60	
					1100	1467	2200			1.54	2255	56C	LF-932-60-B5-G	GLF6032AG	1,350	GB	100		
					1100	1467	2200			1.54	2255	140TC	LF-932-60-B7-G	GLF6032BG	1,350	GB	100		

**NOTE:**   Service Class I Torque Ratings (1.0 Service Factor)  
  Service Class II Torque Ratings (≥ 1.4 Service Factor)  
  Service Class III Torque Ratings (≥ 2.0 Service Factor)

Suffix G = Left hand output facing input  
 J = Right hand output facing input  
 H = Double Output Shaft

Vertical motor below gearhead not recommended.  
 Avoiding those positions where the high speed oil seal is immersed in oil, will provide greater security against high speed input seal wear.

#### Assembly Types



Gearmotors and Gear Products

PT Components

Motor Accessories

Grinders

Generators

Servo Motors and Controls

Mod Express

Baldor Education Workshops

Classifications and Sales Offices

EISA Compliance Table & Index

### 900 Series - Right Angle - Solid Shaft

### 1.33 thru 2.62 CD



GS3018G Shown

**Applications:** Ideal for conveyors, material handling, textile machines, packaging machinery and more. Suitable for direct coupling or belted input (slow speed and high torque).

**Features:** Heavy duty cast iron housings, chill cast bronze gears, precision ground hardened worm, ball bearings on input shaft, tapered roller bearings on output shaft. Industry-standard mounting dimensions. Pre-filled with food grade (H1) Klubersynth UH1-6-460 synthetic oil, sealed housing provides maintenance-free lubed for life operation.

Nominal Output RPM @ 1750 RPM In	Gear Ratio	Continuous Duty Output Torque (In-Lbs) Based on 1750 RPM Motor										Max Input Hp	Max Output Torque Rating In-Lbs	Style Number	Catalog Number	List Price	Mult. Sym.	Ap'x Shpg. Wgt.
		0.25	0.33	0.5	0.75	1	1.5	2	3	5	7.5							
175	10:1				214	285	428					1.50	428	S-918-10-G	GS1018G	458	GB	25
						312	468	624				2.02	630	S-921-10-G	GS1021G	540	GB	28
								492	655			3.59	1177	S-926-10-G	GS1026G	759	GB	50
117	15:1	96	127	193							0.66	225	S-915-15-G	GS1515G	452	GB	21	
				209	314	419					1.07	448	S-918-15-G	GS1518G	458	GB	25	
				246	369	492					1.35	664	S-921-15-G	GS1521G	540	GB	28	
88	20:1		165	251	376						0.92	461	S-918-20-G	GS2018G	458	GB	25	
				323	484	645					1.06	684	S-921-20-G	GS2021G	540	GB	28	
					451	602	902				1.72	1038	S-924-20-G	GS2024G	673	GB	38	
						609	913	1218			2.15	1308	S-926-20-G	GS2026G	759	GB	50	
		156	206	312							0.51	318	S-915-25-G	GS2515G	452	GB	21	
58	30:1	148	195							0.42	248	S-913-30-G	GS3013G	438	GB	18		
			216	327						0.72	470	S-918-30-G	GS3018G	458	GB	25		
			275	416	624					0.83	691	S-921-30-G	GS3021G	540	GB	28		
					641	854	1281			1.54	1313	S-926-30-G	GS3026G	759	GB	50		
44	40:1	208	275							0.38	317	S-915-40-G	GS4015G	452	GB	21		
		180	238	360						0.64	461	S-918-40-G	GS4018G	458	GB	25		
			340	515						0.66	680	S-921-40-G	GS4021G	540	GB	28		
				524	786	1049				1.23	1296	S-926-40-G	GS4026G	759	GB	50		
35	50:1	222	294							0.49	436	S-918-50-G	GS5018G	458	GB	25		
		280	370	561						0.59	651	S-921-50-G	GS5021G	540	GB	28		
				621	932	1242				1.00	1242	S-926-50-G	GS5026G	759	GB	50		
29	60:1	179								0.28	201	S-913-60-G	GS6013G	438	GB	18		
		218	288							0.33	288	S-915-60-G	GS6015G	452	GB	21		
		220	290							0.47	413	S-918-60-G	GS6018G	458	GB	25		
		317	418	634						0.50	634	S-921-60-G	GS6021G	540	GB	28		
			458	693						0.69	958	S-924-60-G	GS6024G	673	GB	38		
			473	716	1074					0.82	1166	S-926-60-G	GS6026G	759	GB	50		

**NOTE:**   Service Class I Torque Ratings (1.0 Service Factor)  
  Service Class II Torque Ratings ( $\geq 1.4$  Service Factor)  
  Service Class III Torque Ratings ( $\geq 2.0$  Service Factor)

Optional Shaft Positions and Base Installation available through Mod Express.  
Refer to a Baldor District Office for pricing and delivery.  
See notes on inside back flap.

Vertical motor below gearhead not recommended.  
Avoiding those positions where the high speed oil seal is immersed in oil, will provide greater security against high speed input seal wear.

### 1/4 Horsepower Stock Gear-Motors



Baldor has pre-selected and assembled our stock 900 Series\* speed reducers to our most stock popular single-phase, three-phase and DC Industrial motors. These pre-assembled *Gear-Motors* offer a variety of output torques and output speeds to fit most industrial applications. To order, select the desired output speed and torque, then choose the corresponding Baldor catalog number. Your *Gear-Motor* will ship in one package, pre-assembled from the factory within 48 hours.

RPM	Service Factor	Output Torque In. Lbs.	Max. Overhung Load Rating	Ratio	NEMA Input	Catalog Number	List Price	Mult. Sym.	Ap'x. Shpg. Wgt.
<b>TEFC, 1 Phase 115/230 Volt</b>									
350	4.40	37	240	5:1	56C	GF0513AGA25	774	GB	40
175	3.60	62	240	10:1	56C	GF1013AGA25	774	GB	40
117	2.60	85	240	15:1	56C	GF1513AGA25	774	GB	40
88	2.10	112	240	20:1	56C	GF2013AGA25	774	GB	40
70	2.00	119	240	25:1	56C	GF2513AGA25	774	GB	40
58	1.70	147	240	30:1	56C	GF3013AGA25	774	GB	40
44	1.30	174	240	40:1	56C	GF4013AGA25	774	GB	40
35	1.30	229	300	50:1	56C	GF5015AGA25	807	GB	45
29	1.30	218	300	60:1	56C	GF6015AGA25	807	GB	45
<b>TEFC, 3 Phase 230/460 Volt</b>									
350	4.40	37	240	5:1	56C	GF0513AGB25	769	GB	39
175	3.60	62	240	10:1	56C	GF1013AGB25	769	GB	39
117	2.60	85	240	15:1	56C	GF1513AGB25	769	GB	39
88	2.10	112	240	20:1	56C	GF2013AGB25	769	GB	39
70	2.00	119	240	25:1	56C	GF2513AGB25	769	GB	39
58	1.70	147	240	30:1	56C	GF3013AGB25	769	GB	39
44	1.30	174	240	40:1	56C	GF4013AGB25	769	GB	39
35	1.30	229	300	50:1	56C	GF5015AGB25	802	GB	44
29	1.30	218	300	60:1	56C	GF6015AGB25	802	GB	44
<b>TENV, DC SCR, 90 Volts</b>									
350	4.40	37	240	5:1	56C	GF0513AGC25	1,091	GB	44
175	3.60	62	240	10:1	56C	GF1013AGC25	1,091	GB	44
117	2.60	85	240	15:1	56C	GF1513AGC25	1,091	GB	44
88	2.10	112	240	20:1	56C	GF2013AGC25	1,091	GB	44
70	2.00	119	240	25:1	56C	GF2513AGC25	1,091	GB	44
58	1.70	147	240	30:1	56C	GF3013AGC25	1,091	GB	44
44	1.30	174	240	40:1	56C	GF4013AGC25	1,091	GB	44
35	1.30	229	300	50:1	56C	GF5015AGC25	1,124	GB	49
29	1.30	218	300	60:1	56C	GF6015AGC25	1,124	GB	49
<b>TENV, DC SCR, 180 Volts</b>									
350	4.40	37	240	5:1	56C	GF0513AGD25	1,091	GB	44
175	3.60	62	240	10:1	56C	GF1013AGD25	1,091	GB	44
117	2.60	85	240	15:1	56C	GF1513AGD25	1,091	GB	44
88	2.10	112	240	20:1	56C	GF2013AGD25	1,091	GB	44
70	2.00	119	240	25:1	56C	GF2513AGD25	1,091	GB	44
58	1.70	147	240	30:1	56C	GF3013AGD25	1,091	GB	44
44	1.30	174	240	40:1	56C	GF4013AGD25	1,091	GB	44
35	1.30	229	300	50:1	56C	GF5015AGD25	1,124	GB	49
29	1.30	218	300	60:1	56C	GF6015AGD25	1,124	GB	49

**NOTE:** \*See page 371 for 900 Series features.



### 1/3 Horsepower Stock Gear-Motors



Baldor has pre-selected and assembled our stock 900 Series\* speed reducers to our most stock popular single-phase, three-phase and DC Industrial motors. These pre-assembled *Gear-Motors* offer a variety of output torques and output speeds to fit most industrial applications. To order, select the desired output speed and torque, then choose the corresponding Baldor catalog number. Your *Gear-Motor* will ship in one package, pre-assembled from the factory within 48 hours.

RPM	Service Factor	Output Torque In. Lbs.	Max. Overhung Load Rating	Ratio	NEMA Input	Catalog Number	List Price	Mult. Sym.	Ap'x. Shpg. Wgt.
<b>TEFC, 1 Phase 115/230 Volt</b>									
350	3.30	49	240	5:1	56C	<b>GF0513AGA33</b>	807	GB	42
175	2.70	82	240	10:1	56C	<b>GF1013AGA33</b>	807	GB	42
117	2.00	113	240	15:1	56C	<b>GF1513AGA33</b>	807	GB	42
88	1.60	148	240	20:1	56C	<b>GF2013AGA33</b>	807	GB	42
70	1.50	157	240	25:1	56C	<b>GF2513AGA33</b>	807	GB	42
58	1.50	209	300	30:1	56C	<b>GF3015AGA33</b>	840	GB	47
44	1.90	237	600	40:1	56C	<b>GF4018AGA33</b>	853	GB	52
35	1.50	293	600	50:1	56C	<b>GF5018AGA33</b>	853	GB	52
29	1.60	289	600	60:1	56C	<b>GF6018AGA33</b>	853	GB	52
<b>TEFC, 3 Phase, 230/460 Volt</b>									
350	3.30	49	240	5:1	56C	<b>GF0513AGB33</b>	793	GB	42
175	2.70	82	240	10:1	56C	<b>GF1013AGB33</b>	793	GB	42
117	2.00	113	240	15:1	56C	<b>GF1513AGB33</b>	793	GB	42
88	1.60	148	240	20:1	56C	<b>GF2013AGB33</b>	793	GB	42
70	1.50	157	240	25:1	56C	<b>GF2513AGB33</b>	793	GB	42
58	1.50	209	300	30:1	56C	<b>GF3015AGB33</b>	826	GB	47
44	1.90	237	600	40:1	56C	<b>GF4018AGB33</b>	839	GB	52
35	1.50	293	600	50:1	56C	<b>GF5018AGB33</b>	839	GB	52
29	1.60	289	600	60:1	56C	<b>GF6018AGB33</b>	839	GB	52
<b>TENV, DC SCR, 90 Volt</b>									
350	3.30	49	240	5:1	56C	<b>GF0513AGC33</b>	1,125	GB	47
175	2.70	82	240	10:1	56C	<b>GF1013AGC33</b>	1,125	GB	47
117	2.00	113	240	15:1	56C	<b>GF1513AGC33</b>	1,125	GB	47
88	1.60	148	240	20:1	56C	<b>GF2013AGC33</b>	1,125	GB	47
70	1.50	157	240	25:1	56C	<b>GF2513AGC33</b>	1,125	GB	47
58	1.50	209	300	30:1	56C	<b>GF3015AGC33</b>	1,158	GB	52
44	1.90	237	600	40:1	56C	<b>GF4018AGC33</b>	1,171	GB	57
35	1.50	293	600	50:1	56C	<b>GF5018AGC33</b>	1,171	GB	57
29	1.60	289	600	60:1	56C	<b>GF6018AGC33</b>	1,171	GB	57
<b>TENV, DC SCR, 180 Volt</b>									
350	3.30	49	240	5:1	56C	<b>GF0513AGD33</b>	1,125	GB	47
175	2.70	82	240	10:1	56C	<b>GF1013AGD33</b>	1,125	GB	47
117	2.00	113	240	15:1	56C	<b>GF1513AGD33</b>	1,125	GB	47
88	1.60	148	240	20:1	56C	<b>GF2013AGD33</b>	1,125	GB	47
70	1.50	157	240	25:1	56C	<b>GF2513AGD33</b>	1,125	GB	47
58	1.50	209	300	30:1	56C	<b>GF3015AGD33</b>	1,158	GB	52
44	1.90	237	600	40:1	56C	<b>GF4018AGD33</b>	1,171	GB	57
35	1.50	293	600	50:1	56C	<b>GF5018AGD33</b>	1,171	GB	57
29	1.60	289	600	60:1	56C	<b>GF6018AGD33</b>	1,171	GB	57

**NOTE:** \*See page 371 for 900 Series features.



### 1/2 Horsepower Stock Gear-Motors



Baldor has pre-selected and assembled our stock 900 Series\* speed reducers to our most stock popular single-phase, three-phase and DC Industrial motors. These pre-assembled *Gear-Motors* offer a variety of output torques and output speeds to fit most industrial applications. To order, select the desired output speed and torque, then choose the corresponding Baldor catalog number. Your *Gear-Motor* will ship in one package, pre-assembled from the factory within 48 hours.

RPM	Service Factor	Output Torque In. Lbs.	Max. Overhung Load Rating	Ratio	NEMA Input	Catalog Number	List Price	Mult. Sym.	Ap'x. Shpg. Wgt.
<b>TEFC, 1 Phase 115/230 Volt</b>									
350	2.20	74	240	5:1	56C	GF0513AGA50	862	GB	47
175	1.80	125	240	10:1	56C	GF1013AGA50	862	GB	47
117	1.60	192	300	15:1	56C	GF1515AGA50	895	GB	52
88	1.80	250	600	20:1	56C	GF2018AGA50	908	GB	57
70	1.60	278	600	25:1	56C	GF2518AGA50	908	GB	57
58	1.40	326	600	30:1	56C	GF3018AGA50	908	GB	57
44	1.30	515	750	40:1	56C	GF4021AGA50	1,040	GB	62
35	1.66	610	1000	50:1	56C	GF5024AGA50	1,158	GB	67
29	1.40	694	1000	60:1	56C	GF6024AGA50	1,158	GB	67
<b>TEFC, 3 Phase, 230/460 Volt</b>									
350	2.20	74	240	5:1	56C	GF0513AGB50	839	GB	43
175	1.80	125	240	10:1	56C	GF1013AGB50	839	GB	43
117	1.60	192	300	15:1	56C	GF1515AGB50	872	GB	48
88	1.80	250	600	20:1	56C	GF2018AGB50	885	GB	53
70	1.60	278	600	25:1	56C	GF2518AGB50	885	GB	53
58	1.40	326	600	30:1	56C	GF3018AGB50	885	GB	53
44	1.30	515	750	40:1	56C	GF4021AGB50	1,017	GB	58
35	1.66	610	1000	50:1	56C	GF5024AGB50	1,135	GB	63
29	1.40	694	1000	60:1	56C	GF6024AGB50	1,135	GB	63
<b>ENV, DC SCR, 90 Volt</b>									
350	2.20	74	240	5:1	56C	GF0513AGC50	1,202	GB	52
175	1.80	125	240	10:1	56C	GF1013AGC50	1,202	GB	52
117	1.60	192	300	15:1	56C	GF1515AGC50	1,235	GB	57
88	1.80	250	600	20:1	56C	GF2018AGC50	1,248	GB	62
70	1.60	278	600	25:1	56C	GF2518AGC50	1,248	GB	62
58	1.40	326	600	30:1	56C	GF3018AGC50	1,248	GB	62
44	1.30	515	750	40:1	56C	GF4021AGC50	1,380	GB	67
35	1.66	610	1000	50:1	56C	GF5024AGC50	1,498	GB	72
29	1.40	694	1000	60:1	56C	GF6024AGC50	1,498	GB	72
<b>TENV, DC SCR, 180 Volt</b>									
350	2.20	74	240	5:1	56C	GF0513AGD50	1,202	GB	51
175	1.80	125	240	10:1	56C	GF1013AGD50	1,202	GB	51
117	1.60	192	300	15:1	56C	GF1515AGD50	1,235	GB	56
88	1.80	250	600	20:1	56C	GF2018AGD50	1,248	GB	61
70	1.60	278	600	25:1	56C	GF2518AGD50	1,248	GB	61
58	1.40	326	600	30:1	56C	GF3018AGD50	1,248	GB	61
44	1.30	515	750	40:1	56C	GF4021AGD50	1,380	GB	66
35	1.66	610	1000	50:1	56C	GF5024AGD50	1,498	GB	71
29	1.40	694	1000	60:1	56C	GF6024AGD50	1,498	GB	71

**NOTE:** \*See page 371 for 900 Series features.

### 3/4 Horsepower Stock Gear-Motors



Baldor has pre-selected and assembled our stock 900 Series\* speed reducers to our most stock popular single-phase, three-phase and DC Industrial motors. These pre-assembled *Gear-Motors* offer a variety of output torques and output speeds to fit most industrial applications. To order, select the desired output speed and torque, then choose the corresponding Baldor catalog number. Your *Gear-Motor* will ship in one package, pre-assembled from the factory within 48 hours.

RPM	Service Factor	Output Torque In. Lbs.	Max. Overhung Load Rating	Ratio	NEMA Input	Catalog Number	List Price	Mult. Sym.	Ap'x. Shpg. Wgt.
<b>TEFC, 1 Phase 115/230 Volt</b>									
350	1.50	111	240	5:1	56C	GF0513AGA75	918	GB	54
175	1.20	187	240	10:1	56C	GF1013AGA75	918	GB	54
117	1.40	360	600	15:1	56C	GF1518AGA75	964	GB	64
88	1.20	375	600	20:1	56C	GF2018AGA75	964	GB	64
70	1.20	568	750	25:1	56C	GF2521AGA75	1,096	GB	69
58	1.10	624	750	30:1	56C	GF3021AGA75	1,096	GB	69
44	1.30	780	1000	40:1	56C	GF4024AGA75	1,214	GB	74
35	1.10	916	1000	50:1	56C	GF5024AGA75	1,214	GB	74
29	1.10	1066	1000	60:1	56C	GF6026AGA75	1,214	GB	74
<b>TEFC, 3 Phase, 230/460 Volt</b>									
350	1.50	111	240	5:1	56C	GF0513AGB75	862	GB	45
175	1.20	187	240	10:1	56C	GF1013AGB75	862	GB	45
117	1.40	360	600	15:1	56C	GF1518AGB75	908	GB	55
88	1.20	375	600	20:1	56C	GF2018AGB75	908	GB	55
70	1.20	568	750	25:1	56C	GF2521AGB75	1,040	GB	60
58	1.10	624	750	30:1	56C	GF3021AGB75	1,040	GB	60
44	1.30	780	1000	40:1	56C	GF4024AGB75	1,158	GB	65
35	1.10	916	1000	50:1	56C	GF5024AGB75	1,158	GB	65
29	1.10	1066	1000	60:1	56C	GF6026AGB75	1,158	GB	65
<b>TENV, DC SCR, 90 Volt</b>									
350	1.50	111	240	5:1	56C	GF0513AGC75	1,357	GB	59
175	1.20	187	240	10:1	56C	GF1013AGC75	1,357	GB	59
117	1.40	360	600	15:1	56C	GF1518AGC75	1,403	GB	69
88	1.20	375	600	20:1	56C	GF2018AGC75	1,403	GB	69
70	1.20	568	750	25:1	56C	GF2521AGC75	1,535	GB	74
58	1.10	624	750	30:1	56C	GF3021AGC75	1,535	GB	74
44	1.30	780	1000	40:1	56C	GF4024AGC75	1,653	GB	79
35	1.10	916	1000	50:1	56C	GF5024AGC75	1,653	GB	79
29	1.10	1066	1000	60:1	56C	GF6026AGC75	1,653	GB	79
<b>TENV, DC SCR, 180 Volt</b>									
350	1.50	111	240	5:1	56C	GF0513AGD75	1,357	GB	59
175	1.20	187	240	10:1	56C	GF1013AGD75	1,357	GB	59
117	1.40	360	600	15:1	56C	GF1518AGD75	1,403	GB	69
88	1.20	375	600	20:1	56C	GF2018AGD75	1,403	GB	69
70	1.20	568	750	25:1	56C	GF2521AGD75	1,535	GB	74
58	1.10	624	750	30:1	56C	GF3021AGD75	1,535	GB	74
44	1.30	780	1000	40:1	56C	GF4024AGD75	1,653	GB	79
35	1.10	916	1000	50:1	56C	GF5024AGD75	1,653	GB	79
29	1.10	1066	1000	60:1	56C	GF6026AGD75	1,653	GB	79

**NOTE:** \*See page 371 for 900 Series features.

### 1 Horsepower Stock Gear-Motors



Baldor has pre-selected and assembled our stock 900 Series\* speed reducers to our most stock popular single-phase, three-phase and DC Industrial motors. These pre-assembled *Gear-Motors* offer a variety of output torques and output speeds to fit most industrial applications. To order, select the desired output speed and torque, then choose the corresponding Baldor catalog number. Your *Gear-Motor* will ship in one package, pre-assembled from the factory within 48 hours.

RPM	Service Factor	Output Torque In. Lbs.	Max. Overhung Load Rating	Ratio	NEMA Input	Catalog Number	List Price	Mult. Sym.	Ap'x. Shpg. Wgt.
<b>TEFC, 1 Phase 115/230 Volt</b>									
350	1.10	149	240	5:1	56C	GF0513AGA10	982	GB	58
175	1.50	285	600	10:1	56C	GF1018AGA10	1,028	GB	68
117	1.35	491	750	15:1	56C	GF1521AGA10	1,160	GB	73
88	1.70	603	1000	20:1	56C	GF2024AGA10	1,278	GB	78
70	1.40	730	1000	25:1	56C	GF2524AGA10	1,278	GB	78
58	1.30	842	1000	30:1	56C	GF3024AGA10	1,278	GB	78
44	1.20	1053	1100	40:1	56C	GF4024AGA10	1,278	GB	78
35	1.70	1131	1300	50:1	56C	GF5030AGA10	1,725	GB	106
29	1.50	1196	1300	60:1	56C	GF6030AGA10	1,725	GB	106
<b>TEFC, 3 Phase, 230/460 Volt</b>									
350	1.10	149	240	5:1	56C	GF0513AGB10	879	GB	50
175	1.50	285	600	10:1	56C	GF1018AGB10	925	GB	60
117	1.35	491	750	15:1	56C	GF1521AGB10	1,057	GB	65
88	1.70	603	1000	20:1	56C	GF2024AGB10	1,175	GB	70
70	1.40	730	1000	25:1	56C	GF2524AGB10	1,175	GB	70
58	1.30	842	1000	30:1	56C	GF3024AGB10	1,175	GB	70
44	1.20	1053	1100	40:1	56C	GF4024AGB10	1,175	GB	70
35	1.70	1131	1300	50:1	56C	GF5030AGB10	1,622	GB	98
29	1.50	1196	1300	60:1	56C	GF6030AGB10	1,622	GB	98
<b>TENV, DC SCR, 90 Volt</b>									
350	1.10	149	240	5:1	56C	GF0513AGC10	1,546	GB	64
175	1.50	285	600	10:1	56C	GF1018AGC10	1,592	GB	74
117	1.35	491	750	15:1	56C	GF1521AGC10	1,724	GB	79
88	1.70	603	1000	20:1	56C	GF2024AGC10	1,842	GB	84
70	1.40	730	1000	25:1	56C	GF2524AGC10	1,842	GB	84
58	1.30	842	1000	30:1	56C	GF3024AGC10	1,842	GB	84
44	1.20	1053	1100	40:1	56C	GF4024AGC10	1,842	GB	84
35	1.70	1131	1300	50:1	56C	GF5030AGC10	2,289	GB	112
29	1.50	1196	1300	60:1	56C	GF6030AGC10	2,289	GB	112
<b>TENV, DC SCR, 180 Volt</b>									
350	1.10	149	240	5:1	56C	GF0513AGD10	1,546	GB	64
175	1.50	285	600	10:1	56C	GF1018AGD10	1,592	GB	74
117	1.35	491	750	15:1	56C	GF1521AGD10	1,724	GB	79
88	1.70	603	1000	20:1	56C	GF2024AGD10	1,842	GB	84
70	1.40	730	1000	25:1	56C	GF2524AGD10	1,842	GB	84
58	1.30	842	1000	30:1	56C	GF3024AGD10	1,842	GB	84
44	1.20	1053	1100	40:1	56C	GF4024AGD10	1,842	GB	84
35	1.70	1131	1300	50:1	56C	GF5030AGD10	2,289	GB	112
29	1.50	1196	1300	60:1	56C	GF6030AGD10	2,289	GB	112

**NOTE:** \*See page 371 for 900 Series features.

### 1-1/2 Horsepower Stock Gear-Motors



Baldor has pre-selected and assembled our stock 900 Series\* speed reducers to our most stock popular single-phase, three-phase and DC Industrial motors. These pre-assembled *Gear-Motors* offer a variety of output torques and output speeds to fit most industrial applications. To order, select the desired output speed and torque, then choose the corresponding Baldor catalog number. Your *Gear-Motor* will ship in one package, pre-assembled from the factory within 48 hours.

RPM	Service Factor	Output Torque In. Lbs.	Max. Overhung Load Rating	Ratio	NEMA Input	Catalog Number	List Price	Mult. Sym.	Ap'x. Shpg. Wgt.
<b>TEFC, 1 Phase 115/230 Volt</b>									
350	1.30	240	600	5:1	56C	<b>GF0518AGA15</b>	1,095	GB	77
175	1.30	468	750	10:1	56C	<b>GF1018AGA15</b>	1,095	GB	77
117	1.40	705	1000	15:1	56C	<b>GF1524AGA15</b>	1,345	GB	87
88	1.10	905	1000	20:1	56C	<b>GF2024AGA15</b>	1,345	GB	87
58	1.60	1201	1300	30:1	56C	<b>GF3030AGA15</b>	1,792	GB	115
44	1.20	1598	1300	40:1	56C	<b>GF4030AGA15</b>	1,792	GB	102
35	1.20	1940	1500	50:1	140TC	<b>GF5032AGA15</b>	1,895	GB	134
29	1.60	1880	2000	60:1	140TC	<b>GF6038AGA15</b>	2,188	GB	173
<b>TEFC, 3 Phase, 230/460 Volt</b>									
350	1.30	240	600	5:1	56C	<b>GF0518AGB15</b>	974	GB	64
175	1.30	468	750	10:1	56C	<b>GF1018AGB15</b>	974	GB	64
117	1.40	705	1000	15:1	56C	<b>GF1524AGB15</b>	1,224	GB	74
88	1.10	905	1000	20:1	56C	<b>GF2024AGB15</b>	1,224	GB	74
58	1.60	1201	1300	30:1	56C	<b>GF3030AGB15</b>	1,671	GB	102
44	1.20	1598	1300	40:1	56C	<b>GF4030AGB15</b>	1,671	GB	102
35	1.20	1940	1500	50:1	56C	<b>GF5032AGB15</b>	1,774	GB	121
29	1.60	1880	2000	60:1	56C	<b>GF6032AGB15</b>	1,774	GB	160
<b>TENV, DC SCR, 180 Volt</b>									
350	1.30	240	600	5:1	140TC	<b>GF0518BGD15</b>	2,492	GB	97
175	1.30	468	750	10:1	140TC	<b>GF1018BGD15</b>	2,492	GB	97
117	1.40	705	1000	15:1	140TC	<b>GF1524BGD15</b>	2,742	GB	107
88	1.10	905	1000	20:1	140TC	<b>GF2024BGD15</b>	2,742	GB	107
70	1.20	1133	1100	25:1	140TC	<b>GF2526BGD15</b>	2,866	GB	122
58	1.60	1201	1300	30:1	140TC	<b>GF3030BGD15</b>	3,189	GB	135
44	1.20	1598	1300	40:1	140TC	<b>GF4030BGD15</b>	3,189	GB	135
35	1.20	1940	1500	50:1	140TC	<b>GF5032BGD15</b>	3,292	GB	154
29	1.60	1880	2000	60:1	140TC	<b>GF6038BGD15</b>	3,585	GB	193

**NOTE:** \*See page 371 for 900 Series features.

Gearmotors and Gear Products

PT Components

Motor Accessories

Grinders

Gearmotors

Servo Motors and Controls

Mod Express

Baldor Education Workshop

Classifications and Sales Offices

EISA Compliance Table & Index

### Universal Series – Right Angle – Quill Type – Solid Shaft



GSF2018AA Shown

### 1.33 thru 3.50 CD

### 56C thru 180TC

**Applications:** Ideal for conveyors, material handling, textile machines, packaging machinery. etc. (slow speed and high torque).

**Features:** Heavy duty cast iron housings, forged bronze worm gears, hardened steel worms, ball bearing on input shaft, tapered roller bearings on output shaft. Integral heavy duty mounting feet cast on top and bottom of housing. Single output shaft, right hand facing input shaft. Pre-lubricated with Klubersynth UH1-6-460.

Nominal Output RPM @ 1750 RPM In	Gear Ratio	Continuous Duty Output Torque (In-Lbs) Based on 1750 RPM Motor										Max Input Hp	Max Output Torque Rating In-Lbs	NEMA Motor Mount	Style Number	Catalog Number	List Price	Mult. Sym.	Ap'x Shpg. Wgt.
		0.18	0.25	0.33	0.5	0.75	1	1.5	2	3	5								
175	10:1			109	163							0.64	207	56C	STF-133-10-A-A	GSF1013AA	598	GB	21
						245	327					1.22	396	56C	STF-175-10-A-A	GSF1018AA	655	GB	22
						245	327					1.22	396	140TC	STF-175-10-B-A	GSF1018BA	655	GB	23
						244	325	488				1.77	572	56C	STF-200-10-A-A	GSF1020AA	781	GB	30
							325	488				1.77	572	140TC	STF-200-10-B-A	GSF1020BA	781	GB	29
							325	488	651			2.44	788	140TC	STF-225-10-B-A	GSF1023BA	886	GB	32
							488	651				3.43	1109	140TC	STF-258-10-B-A	GSF1026BA	1,130	GB	46
								651	976			3.43	1109	180TC	STF-258-10-C-A	GSF1026CA	1,130	GB	55
117	15:1			119	159							0.46	221	56C	STF-133-15-A-A	GSF1513AA	598	GB	21
				159	239	359						0.87	416	56C	STF-175-15-A-A	GSF1518AA	655	GB	23
					238	357	475					1.28	605	56C	STF-200-15-A-A	GSF1520AA	781	GB	29
					359	478	717					1.84	875	56C	STF-225-15-A-A	GSF1523AA	886	GB	37
						478	717					1.84	875	140TC	STF-225-15-B-A	GSF1523BA	886	GB	33
						478	717	956				2.50	1188	140TC	STF-258-15-B-A	GSF1526BA	1,130	GB	51
							717	956				3.25	1544	140TC	STF-300-15-B-A	GSF1530BA	1,291	GB	57
							717	956	1434			3.25	1544	180TC	STF-300-15-C-A	GSF1530CA	1,291	GB	61
88	20:1		102	154	205							0.36	220	56C	STF-133-20-A-A	GSF2013AA	598	GB	24
				205	308							0.68	419	56C	STF-175-20-A-A	GSF2018AA	655	GB	23
					308	462	616					1.00	612	56C	STF-200-20-A-A	GSF2020AA	781	GB	30
					308	462	616					1.00	612	140TC	STF-200-20-B-A	GSF2020BA	781	GB	28
					309	463	617					1.35	8.28	56C	STF-225-20-A-A	GSF2023AA	886	GB	37
					309	463	617					1.35	8.28	140TC	STF-225-20-B-A	GSF2023BA	886	GB	33
						461	615	923				1.92	1174	56C	STF-258-20-A-A	GSF2026AA	1,130	GB	51
							615	923				1.92	1174	140TC	STF-258-20-B-A	GSF2026BA	1,130	GB	51
							615	923	1230			2.52	1541	140TC	STF-300-20-B-A	GSF2030BA	1,291	GB	57
								923	1230			2.52	1541	180TC	STF-300-20-C-A	GSF2030CA	1,291	GB	62
									1230	1845		3.89	2363	180TC	STF-350-20-C-A	GSF2035CA	1,771	GB	90

**NOTE:**   Service Class I Torque Ratings (1.0 Service Factor) See notes on inside back flap.  
  Service Class II Torque Ratings (≥ 1.4 Service Factor)  
  Service Class III Torque Ratings (≥ 2.0 Service Factor)

Vertical motor below gearhead not recommended.  
 Avoiding those positions where the high speed oil seal is immersed in oil, will provide greater security against high speed input seal wear.

Gearmotors and Gear Products

PT Components

Motor Accessories

Grinders

Generators

Servo Motors and Controls

Mod Express

Baldor Education Workshops

Classifications and Sales Offices

EISA Compliance Table & Index

### Universal Series – Right Angle – Quill Type – Solid Shaft continued...

Nominal Output RPM @ 1750 RPM In	Gear Ratio	Continuous Duty Output Torque (In-Lbs) Based on 1750 RPM Motor									Max Input Hp	Max Output Torque Rating In-Lbs	NEMA Motor Mount	Style Number	Catalog Number	List Price	Mult. Sym.	Ap'x Shpg. Wgt.	
		0.18	0.25	0.33	0.5	0.75	1	1.5	2	3									5
70	25:1	123	186									0.29	218	56C	STF-133-25-A-A	<b>GSF2513AA</b>	598	GB	21
			186	247	371							0.55	406	56C	STF-175-25-A-A	<b>GSF2518AA</b>	655	GB	23
				247	371	557						0.81	601	56C	STF-200-25-A-A	<b>GSF2520AA</b>	781	GB	29
					375	563	751					1.09	814	56C	STF-225-25-A-A	<b>GSF2523AA</b>	886	GB	33
							744	1114	1489			2.08	1539	140TC	STF-300-25-B-A	<b>GSF2530BA</b>	1,291	GB	56
58	30:1	145	218								0.24	214	56C	STF-133-30-A-A	<b>GSF3013AA</b>	598	GB	21	
			218	289							0.47	406	56C	STF-175-30-A-A	<b>GSF3018AA</b>	655	GB	22	
				289	435	652					0.77	665	56C	STF-200-30-A-A	<b>GSF3020AA</b>	781	GB	30	
					435	652					0.98	847	56C	STF-225-30-A-A	<b>GSF3023AA</b>	886	GB	33	
						435	652	869				1.35	1166	56C	STF-258-30-A-A	<b>GSF3026AA</b>	1,130	GB	50
							869	1304				1.74	1501	140TC	STF-300-30-B-A	<b>GSF3030BA</b>	1,291	GB	57
44	40:1										2.82	2443	140TC	STF-350-30-B-A	<b>GSF3035BA</b>	1,771	GB	82	
		181									0.19	206	56C	STF-133-40-A-A	<b>GSF4013AA</b>	598	GB	21	
		180	272	362							0.36	389	56C	STF-175-40-A-A	<b>GSF4018AA</b>	655	GB	11	
			272	362	543						0.52	568	56C	STF-200-40-A-A	<b>GSF4020AA</b>	781	GB	30	
				364	547						0.71	772	56C	STF-225-40-A-A	<b>GSF4023AA</b>	886	GB	33	
					545	817	1090				1.01	1095	56C	STF-258-40-A-A	<b>GSF4026AA</b>	1,130	GB	51	
					542	815	1087				1.36	1470	56C	STF-300-40-A-A	<b>GSF4030AA</b>	1,291	GB	57	
35	50:1										1.36	1470	140TC	STF-300-40-B-A	<b>GSF4030BA</b>	1,291	GB	57	
						542	815	1087			1.36	1470	140TC	STF-300-40-B-A	<b>GSF4030BA</b>	1,291	GB	57	
							1087	1630	2173		2.24	2405	140TC	STF-350-40-B-A	<b>GSF4035BA</b>	1,771	GB	83	
		210									0.15	191	56C	STF-133-50-A-A	<b>GSF5013AA</b>	598	GB	21	
		210	316								0.28	360	56C	STF-175-50-A-A	<b>GSF5018AA</b>	655	GB	23	
		211	317	423							0.42	536	56C	STF-200-50-A-A	<b>GSF5020AA</b>	781	GB	30	
			317	422							0.55	693	56C	STF-225-50-A-A	<b>GSF5023AA</b>	886	GB	33	
				422	634	951					0.79	995	56C	STF-258-50-A-A	<b>GSF5026AA</b>	1,130	GB	51	
29	60:1										1.07	1350	140TC	STF-300-50-B-A	<b>GSF5030BA</b>	1,291	GB	57	
					634	952	1270				1.75	2196	140TC	STF-350-50-B-A	<b>GSF5035BA</b>	1,771	GB	86	
					952	1270	1904												
		235									0.24	343	56C	STF-175-60-A-A	<b>GSF6018AA</b>	655	GB	23	
		234	353	470							0.36	505	56C	STF-200-60-A-A	<b>GSF6020AA</b>	781	GB	29	
29	60:1		346	461	692					0.51	702	56C	STF-225-60-A-A	<b>GSF6023AA</b>	886	GB	33		
				470	706					0.69	976	56C	STF-258-60-A-A	<b>GSF6026AA</b>	1,130	GB	51		
					706	1059				0.84	1179	56C	STF-300-60-A-A	<b>GSF6030AA</b>	1,291	GB	56		
						1059	1413	2119			1.50	2128	140TC	STF-350-60-B-A	<b>GSF6035BA</b>	1,771	GB	83	

**NOTE:**   Service Class I Torque Ratings (1.0 Service Factor)  
  Service Class II Torque Ratings (≥ 1.4 Service Factor)  
  Service Class III Torque Ratings (≥ 2.0 Service Factor)

Optional Shaft Positions, Bases Installation and Motor Mounting available through Mod Express.  
Refer to Baldor District Office for Price and Delivery.  
See notes on inside back flap.

Vertical motor below gearhead not recommended.  
Avoiding those positions where the high speed oil seal is immersed in oil, will provide greater security against high speed input seal wear.

Gearmotors and Gear Products  
 PT Components  
 Motor Accessories  
 Grinders  
 Gearmotors  
 Servo Motors and Controls  
 Mod Express  
 Baldor Education Workshop  
 Classifications and Sales Offices  
 EISA Compliance Table & Index



### Inline Helical

### 4 Sizes

### 56C thru 250TC



**Applications:** Ideal for conveyors, material handling, textile machines, packaging machinery, etc. (slow speed and high torque).

**Features:** Baldor's new ILH (in-line helical) gearboxes have higher torque ratings in a compact design. Clamp collar 56C – 250TC offers compact C-face solution. Heavy-duty cast iron housings, hardened and ground AGMA class 11 gears for greater impact resistance and longer service life. Pre-fill for horizontal mounting to insure proper oil grade and fill level.

Nominal RPMs	Continuous Duty Output Torque (in-lbs.) Based on 1750 RPM Motors											Max Input Hp	Max Output Torque Rating In-Lbs.	NEMA	Style Number	Catalog Number	List Price	Mult. Sym.	Ap'x. Shp. Wgt.	
	0.33	0.50	0.75	1	1.5	2	3	5	7.5	10	15									20
180				349	524	698							2.02	705	56C	HB382CN56C-9	GIF0938A	949	GB	29
				524	699	1048							4.86	1698	140TC	HB382CN140TC-9	GIF0938B	949	GB	31
				524	699	1048							4.86	1698	180TC	HB382CN180TC-9	GIF0938C	1,039	GB	32
							1055	1758	2637				8.79	3090	180TC	HB482CN180TC-9	GIF0948C	1,501	GB	55
										3504	5256	7007	20.17	7067	210TC	HB682CN210TC-9	GIF0968D	2,351	GB	101
124				510	766	1021							2.02	1031	56C	HB382CN56C-14	GIF1438A	949	GB	29
				766	1021	1532							3.77	1925	140TC	HB382CN56C-14	GIF1438B	949	GB	31
					1057	1586	2644						6.68	3532	180TC	HB482CN180TC-14	GIF1448C	1,501	GB	55
								2447	3670	4894			10.36	5070	180TC	HB682CN180TC-14	GIF1468C	2,351	GB	93
								2447	3670	4894			14.47	7081	210TC	HB682CN210TC-14	GIF1468D	2,351	GB	101
102																				
				468	623	935							1.84	1147	56C	HB382CN56C-18	GIF1838A	949	GB	29
					936	1248	1872						3.12	1947	140TC	HB382CN140TC-18	GIF1838B	949	GB	31
					1264	1896							4.86	3071	140TC	HB482CN140TC-18	GIF1848B	1,316	GB	54
					1264	1896	3162						5.91	3738	180TC	HB482CN180TC-18	GIF1848C	1,501	GB	85
							1776	2961	4441				9.95	5892	180TC	HB682CN180TC-18	GIF1868C	2,351	GB	93
								2963	4444	5926			11.95	7081	210TC	HB682CN210TC-18	GIF1868D	2,351	GB	101
70																				
				440	660	880							1.41	1241	56C	HB382CN56C-25	GIF2538A	949	GB	29
					881	1321	1762						2.21	1947	140TC	HB382CN140TC-25	GIF2538B	949	GB	31
						1435	1913	2869					3.92	3749	140TC	HB482CN140TC-25	GIF2548B	1,316	GB	54
						1910	2865						4.17	3983	180TC	HB482CN180TC-25	GIF2548C	1,501	GB	55
							2759	4598	6897				7.70	7081	180TC	HB682CN180TC-25	GIF2568C	2,351	GB	93
									6755	9007	13510		16.51	14870	210TC	HB882CN210TC-25	GIF2588D	3,414	GB	178
44																				
				465	705	1057							0.95	1339	56C	HB382CN56C-40	GIF4038A	949	GB	29
					746	1118	1491						1.12	1670	56C	HB482CN56C-40	GIF4048A	1,316	GB	52
						1486	2229	2972					2.68	3983	140TC	HB482CN140TC-40	GIF4048B	1,316	GB	54
							2718	4077	6796				5.21	7081	180TC	HB682CN180TC-40	GIF4068C	2,351	GB	93
33																				
				691	1047	1570							0.93	1947	56C	HB383CN56C-56	GIF5638A	1,146	GB	29
					1509	2012	3017						1.98	3983	56C	HB483CN56C-56	GIF5648A	1,444	GB	52
						2601	3468	5203					3.04	5272	140TC	HB682CN140TC-50	GIF5068B	2,168	GB	92
						3655	5483	9138				5.58	10198	180TC	HB882CN180TC-50	GIF5088C	3,414	GB	178	

**NOTE:**   Service Class I Torque Ratings (1.0 Service Factor)  
  Service Class II Torque Ratings (≥ 1.4 Service Factor)  
  Service Class III Torque Ratings (≥ 2.0 Service Factor)

Gearmotors and Gear Products

PT Components

Motor Accessories

Grinders

Generators

Servo Motors and Controls

Mod Express

Baldor Education Workshops

Classifications and Sales Offices

EISA Compliance Table & Index

### Ratio Multiplier – Inline – Quill Type Solid Shaft

**2 Sizes**

**56C thru 140TC**

**Applications:** Reducer or Increaser\*. Combine with Right Angle units for high ratios. May also be used as a stand alone with optional base kits.

**Features:** High efficiency. Cast iron construction, universal mounting positions, and optional base mounting. Internal compression chamber eliminates breather vent. Lubricated for life with Klubersynth GH6-150.

\* Custom style "SX" can be back driven to increase motor speed. Max output speed, 4500 RPMS.



Size	Output RPM @ 1750 RPM in.	Gear Ratio	Input Style	Output Style	Catalog Number	List Price	Mult. Sym.	Ap'x. Shpg. Wgt.	Type
1	875	2:1	56C	56C	GCF2X01AA	436	GB	19	FX1-2-B5-56C
	583	3:1	56C	56C	GCF3X01AA	436	GB	19	FX1-3-B5-56C
	438	4:1	56C	56C	GCF4X01AA	436	GB	19	FX1-4-B5-56C
	350	5:1	56C	56C	GCF5X01AA	436	GB	19	FX1-5-B5-56C
2	875	2:1	140TC	140TC	GCF2X02BB	526	GB	22	FX2-2-B7-140TC
	583	3:1	140TC	140TC	GCF3X02BB	526	GB	22	FX2-3-B7-140TC
	438	4:1	140TC	140TC	GCF4X02BB	526	GB	22	FX2-4-B7-140TC
	350	5:1	56C	140TC	GCF5X02AB	526	GB	22	FX2-5-B5-140TC
	350	5:1	140TC	140TC	GCF5X02BB	526	GB	22	FX2-5-B7-140TC

### Ratings at 1750 RPM Input

Size	Ratio	Output RPM	Input Hp	Output Hp	Output Torque	Output Shaft OHL
1	2:1	875	2.06	1.96	141	173
	3:1	583	1.70	1.62	175	203
	4:1	438	1.50	1.42	205	224
	5:1	350	1.13	1.08	194	247
2	2:1	875	12.42	12.17	877	445
	3:1	583	8.68	8.42	911	445
	4:1	438	6.34	6.15	885	445
	5:1	350	5.40	5.17	931	360



### Optional Base Kit

Size	Catalog Number	List Price	Mult. Sym.	Ap'x. Shpg. Wgt.
1	BRMX01	58	A8	6
2	BRMX02	102	A8	6

BRMX01 with Style SX1 Ratio Multiplier



Ratio Multiplier with F900 Series Reducer

### 900 Series – Right Angle Base Kits



**Horizontal Base**



**J Base**



**Vertical Base**



**Washdown Base**

### Universal Series – Right Angle Base Kits



Base Description	Size (Position)	Catalog Number	List Price	Mult. Sym.	Ap'x. Shpg. Wgt.
HORIZ.	913 (A,B)	<b>B13H71</b>	58	A8	3
VERT. low	913 (D,F)	<b>B13V81</b>	102	A8	2
VERT. high	913 (C,E)	<b>B13V91</b>	103	A8	3
VERT. J	913 (X,Y)	<b>B13J92</b>	100	A8	3
HORIZ.	915 (A,B)	<b>B15H71</b>	41	A8	4
VERT. low	915(D,F)	<b>B18V81</b>	105	A8	3
VERT. high	915 (C,E)	<b>B18V91</b>	106	A8	3
VERT. J	915 (X,Y)	<b>B18J92</b>	103	A8	6
HORIZ.	918 (A,B)	<b>B18H71</b>	70	A8	6
VERT. low	918 (D,F)	<b>B18V81</b>	105	A8	3
VERT. high	918 (C,E)	<b>B18V91</b>	106	A8	3
VERT. J	918 (X,Y)	<b>B18J92</b>	103	A8	6
HORIZ.	921G (A,B)	<b>B21GH71</b>	73	A8	5
HORIZ.	921 (A,B)	<b>B21H71</b>	76	A8	6
VERT. low	921 (D,F)	<b>B21V81</b>	115	A8	4
VERT. high	921 (C,E)	<b>B21V91</b>	118	A8	6
VERT. J	921 (X,Y)	<b>B21J92</b>	115	A8	7
HORIZ.	924 (A,B)	<b>B24H71</b>	91	A8	8
VERT. low	924 (D,F)	<b>B24V81</b>	129	A8	4
VERT. high	924 (C,E)	<b>B24V91</b>	139	A8	6
VERT. J	924 (X,Y)	<b>B24J92</b>	129	A8	9
HORIZ.	926 (A,B)	<b>B26H71</b>	102	A8	9
VERT. low	926 (D,F)	<b>B26V81</b>	173	A8	6
VERT. high	926 (C,E)	<b>B26V91</b>	176	A8	9
VERT. J	926 (X,Y)	<b>B26J92</b>	173	A8	10
HORIZ.	930 (A,B)	<b>B30H71</b>	116	A8	4
VERT. low	930 (D,F)	<b>B30V81</b>	173	A8	8
VERT. high	930 (C,E)	<b>B30V91</b>	176	A8	16
HORIZ.	932 (A,B)	<b>B32H71</b>	138	A8	13
VERT. low	932 (D,F)	<b>B32V81</b>	204	A8	10
VERT. high	932 (C,E)	<b>B32V91</b>	209	A8	13
HORIZ.	938 (A,B)	<b>B38H71</b>	165	A8	15
VERT. low	938(D,F)	<b>B38V81</b>	245	A8	38
VERT. high	938(C,E)	<b>B38V91</b>	257	A8	36
<b>Optional Washdown Base Kits</b>					
HORIZ.	913 (A,B)	<b>WDB13H71</b>	76	A8	3
HORIZ.	915 (A,B)	<b>WDB15H71</b>	76	A8	4
HORIZ.	918 (A,B)	<b>WDB18H71</b>	94	A8	6
HORIZ.	921 (A,B)	<b>WDB21H71</b>	99	A8	6
HORIZ.	924 (A,B)	<b>WDB24H71</b>	107	A8	8
HORIZ.	926 (A,B)	<b>WDB26H71</b>	121	A8	9
HORIZ.	930 (A,B)	<b>WDB30H71</b>	134	A8	6
HORIZ.	932 (A,B)	<b>WDB32H71</b>	158	A8	13
<b>Optional Stainless Steel Base Kits</b>					
HORIZ	918 (A,B)	<b>SSB18H71</b>	345	A8	8
HORIZ	921 (A,B)	<b>SSB21H71</b>	359	A8	10
HORIZ	926 (A,B)	<b>SSB26H71</b>	396	A8	13

Kit includes angle bases and hardware. Converts style STF to SVF.

Size	NEMA Flange	Catalog Number	List Price	Mult. Sym.	Ap'x. Shpg. Wgt
133-175	56C/140TC	<b>B1317V81</b>	103	A8	2
200-225	56C/140TC	<b>B2022V81</b>	107	A8	3
258-300	56C/140TC	<b>B2530V81</b>	166	A8	4
258-300	180TC	<b>B2530V81</b>	166	A8	4
350	56C/140TC 180TC/210TC	<b>B3500V81</b>	193	A8	5

Gearmotors and Gear Products

PT Components

Motor Accessories

Grinders

Generators

Servo Motors and Controls

Mod Express

Baldor Education Workshops

Classifications and Sales Offices

EISA Compliance Table & Index

### NEMA C-Face Flange Kits (coupling type)

Flange adapts NEMA C face motors to 900 Series type S reducers. Includes flange, flexible coupling and mounting hardware.



Size	NEMA Flange	Catalog Number	List Price	Mult. Sym.	Ap'x. Shpg. Wgt
913	56C	SFL913B5	159	A8	8
915	56C	SFL918B5	159	A8	9
	140TC	SFL918B7	159	A8	8
918	56C	SFL918B5	159	A8	9
	140TC	SFL921B5	177	A8	11
921	56C	SFL921B7	177	A8	11
	140TC	SFL924B5	177	A8	11
924	56C	SFL924B7	177	A8	11
	140TC	SFL926B5	228	A8	14
926	56C	SFL926B7	228	A8	15
	140TC	SFL926B7	228	A8	15

### Riser Block Kits

Riser Blocks permit the gearbox to be mounted in the most desirable position (high speed input shaft above the oil level). They mount on top of the gearbox to provide clearance between the motor and the mounting surface. Kit includes the Riser Block and attachment bolts.



Size	NEMA Flange	Catalog Number	List Price	Mult. Sym.	Ap'x. Shpg. Wgt
913	56C	RBK13B5	60	A8	5
915	56C/140TC	RBK15B5	76	A8	5
918	56C/140TC	RBK18B5	94	A8	5
921	56C/140TC	RBK21B5	121	A8	5
924	56C/140TC	RBK24B5	127	A8	5
	180TC	RBK24B9	241	A8	10
926	56C/140TC	RBK26B5	134	A8	8
	180TC	RBK26B9	293	A8	11
930	56C/140TC	RBK30B5	152	A8	15
	180TC	RBK30B9	325	A8	15
932	56C/140TC	RBK32B5	204	A8	8
	180TC	RBK32B9	402	A8	15

### Torque Arm Kits

Kit includes turnbuckle and both mounting brackets. Secures hollow shaft reducer to application.



Size	Catalog Number	List Price	Mult. Sym.	Ap'x. Shpg. Wgt.
913	TA13HK	148	A8	2
918	TA18HK	164	A8	2
921	TA21HK	183	A8	2
924	TA24HK	184	A8	2
926	TA26HK	187	A8	2
930	TA30HK	191	A8	2
932	TA32HK	195	A8	2
938	TA38HK	204	A8	2

### Output Flange Kits



Size	Catalog Number	List Price	Mult. Sym.	Ap'x. Shpg. Wgt.
913	FL13HK	96	A8	6
915	FL15HK	103	A8	6
918	FL18HK	107	A8	6
921	FL21HK	120	A8	3
924	FL24HK	171	A8	4
926	FL26HK	184	A8	6
930	FL30HK	191	A8	6
932	FL32HK	198	A8	12
938	FL38HK	205	A8	12

### Bushing Kits for Hollow Shaft Reducers

Size	Shaft Diameter	Catalog Number	List Price	Mult. Sym.	Size	Shaft Diameter	Catalog Number	List Price	Mult. Sym.
918	3/4	BU100H012	121	A8	924/926	1-1/4	BU107H104	148	A8
	7/8	BU100H014	121	A8		1-5/16	BU107H105	148	A8
	15/16	BU100H015	138	A8		1.00	BU115H100	204	A8
924/926	15/16	BU107H015	148	A8	930/932	1-7/16	BU115H107	204	A8
	1	BU107H100	148	A8		1-1/2	BU115H108	204	A8
	1-1/8	BU107H102	148	A8		1-5/8	BU115H110	204	A8
	1-3/16	BU107H103	148	A8		1-11/16	BU115H111	204	A8
						1-3/4	BU115H112	204	A8

### Stainless Steel Bushing

Size	Shaft Diameter	Catalog Number	List Price	Mult. Sym.
918	3/4	SSBU100H012	145	A8
918	7/8	SSBU100H014	145	A8
918	15/16	SSBU100H015	145	A8
921	15/16	SSBU104H015	91	A8
921	1	SSBU104H100	91	A8
921	1-1/8	SSBU104H102	91	A8
926	15/16	SSBU107H015	173	A8
926	1	SSBU107H100	173	A8
926	1-1/8	SSBU107H102	173	A8
926	1-3/16	SSBU107H103	173	A8
926	1-1/4	SSBU107H104	173	A8
926	1-5/16	SSBU107H105	173	A8

### Double Reduction Adapter Kit



900 series double reduction units may be assembled from stock single reduction units using the adapter kits.

Catalog Number	Primary Unit (a)	Secondary Unit (b)	List Price	Mult. Sym.
DR913X913B5	913	913-B5	159	A8
DR913X918B5	913	918-B5	166	A8
DR913X921B5	913	921-B5	176	A8
DR913X924B5	913	924-B5	176	A8
DR913X926B5	913	926-B5	191	A8
DR918X924B7	918	924-B7	191	A8
DR918X926B7	918	930-B7/926-B7	198	A8
DR918X932B7	918	932-B7	198	A8
DR924X938B9	924	938-B9	198	A8

**NOTE:** Each adapter kit consists of: 1 Adapter; 1 Seal (Installed); 1 Shim Set; 4 Screws; 1 Bearing Cup (Installed); 4 Lock Washers; and 1 Sealant Package.

(a) Any style except shaft mount  
(b) F and HF styles only

### Bushing Kit



Reduces bore size of Quill type input shafts from 7/8 to 5/8. Sintered metal bushing with integral internal and external keys.

Catalog Number	List Price	Mult. Sym.
133-6FBA	60	A8

### NEMA AC Motor C-Face Kits for Field Conversion

**Features:** Complete kits with all hardware necessary for converting Baldor 56 through 445T frame rigid base motors to "C-Face" mounting with base. For a Baldor conversion, refer to the Mod Express Section in this catalog. Please furnish the motor specification number when ordering.



**For use with Legacy Baldor Motor Designs**

Catalog Number	Description Type/Frame	Bearing	Enclosure	List Price	Mult. Sym.	Ap'x. Shpg. Wgt.	
34-3900T	34/48C	6203	TEFC	52	A8	1	
34-171	34/56C	6203	TEFC	52	A8	2	
34-3903A	34/143-5TC	6205	ODP	63	A8	2	
34-3903T	34/143-5TC	6205	TEFC	66	A8	2	
35-8762	35/56C,143-5TC	6205	TEFC	61	A8	3	
35-8764	35/56C,143-5TC	6205	ODP	61	A8	3	
35-1300	35/56C,143-5TC	6205	TEFC	104	A8	6	
35-1325	35/182-4TC	6206	TEFC	134	A8	11	
35-1409	35/182-4TC	6206	ODP	150	A8	11	
36-1037	36/182-4C	6206	TEFC	119	A8	7	
36-1206A	36/213-5TC	6207	OPSB	153	A8	13	
36-1206B	36/213-5TC	6207	ODP	162	A8	14	
36-486	36/182-4C	6206	ODP	169	A8	8	
36-3301	36/182-4TC	6206	TEFC	86	A8	5	
36-3403	36/182-4TC	6206	ODP	101	A8	5	
36-1749	36/182-4TC	6206	TEFC	151	A8	12	
37-1404	37/213-5C, TC	6307	ODP	201	A8	14	
37-1304	37/213-5C, TC	6307	TEFC	167	A8	12	
37-1402	37/254-6UC, TC	6309	ODP	239	A8	18	
37-1302	37/254-6UC, TC	6309	TEFC	255	A8	18	
09-1309	09/254-6UC, TC	●	6309	TEFC	344	A8	22
09-1310	09/284-6UC, TC	●	6311	TEFC	520	A8	22
39-3400	39/254-6UC, TC		6309	ODP	223	A8	19
39-1403	39/284-6UC, TC		6311	ODP	359	A8	21
10-1304	10/324-6UC, TC	●	6312	TEFC	383	A8	32
10-1305	10/284-6UC, TC	●	6311	TEFC	399	A8	32
40-1400	40/284-6UC, TC		6311	ODP	364	A8	30
40-1401	40/324-6 UC, TC	●	6312	ODP	373	A8	40
12-1105	12/324-6UC, TC		6312	TEFC	491	A8	48
42-1300	42/324-6UC, TC	●	6312	ODP	655	A8	36
42-1400	42/364-5 UC & TC	●	6313	ODP	637	A8	30
14-1303	14/404-5TC		6316	TEFC	870	A8	50
14-1704	14/364-5UC, TC	●	6313	TEFC	637	A8	57
14-1401	14/364-5UC, TC	●	6313	ODP	702	A8	60
16-1704	16/404-5UC, TC	●	6316	TEFC	870	A8	76
16-1400	16/404-5UC, TC	●	6316	ODP	948	A8	78
18-1203	18/444-7UC, TSC	✘●	6313	ODP	1,130	A8	118
18-1202	18/444-7UC, TC		6319	ODP	1,188	A8	128
18-1302	18/444-9UC, TC		6319	TEFC	1,138	A8	139
18-1304	18/444-5, TS-444-STSC		6313	TEFC	1,252	A8	163
44-1402	44/404-5 UC & TC		6316	ODP	737	A8	40
44-1403	44/404-5 UC & TSC		6313	ODP	737	A8	40
44-1403A	44/404 USC, TSC		6312	OPEN	737	A8	40

**NOTE:** NEMA "BA" Dimension will be non-standard after conversion on NEMA 143-5T, 182-4T, 213-5T and 254-6T.

**SHADED RATINGS ARE CAST IRON FRAMES**

**Specification number of motor should be verified when ordering.**

- = Suitable only for field conversion of motors manufactured with external rabbets on the stator housings.
- ✘ = Contact a District Office with nameplate specification number to determine correct kit.



### C-Face Kits

The following list of available motor kits may be purchased as a kit only and shipped as a separate item from stock, or the kit can be mounted on an suitable motor and shipped from the modification center.

### 56 - 140 Frames

**For use with Legacy Reliance Motor Designs**

Frame	Enclosure	Catalog Number	Notes	Ap'x. Shpg. Wgt. Lbs.	List Price	Mult. Sym.
56	Basic (TEFC, TENV)	K56H3055	81	1	61	A8

**NOTE:** Basic (TEFC, TENV) motors that have aluminum end shields. This kit will not mount on XT/EMT/XEX and other enhanced enclosure product that have Cast Iron end shields. See notes on inside back flap.

### 180T - 400T Frames

**For use with Legacy Reliance Motor Designs**

Frame	Enclosure	Catalog Number	Notes	Ap'x. Shpg. Wgt. Lbs.	List Price	Mult. Sym.
180T	TEFC, TEFC-XT, TEFC-XEX, ODP	K18G3	84	13	162	A8
180	TEFC U-FRAME	K18G5	84	15	169	A8
210T, U	TEFC, TEFC-XT, TEFC-XEX, ODP	K21G3	84	16	201	A8
250T, U	TEFC, TEFC-XT, TEFC-XEX, ODP	K25G2	84	26	344	A8
280T, U	TEFC, TEFC-XT, TEFC-XEX, ODP	K28G2		38	399	A8
320T, U	TEFC, TEFC-XT, TEFC-XEX	K32G2		45	491	A8
360T, U	TEFC, TEFC-XT, TEFC-XEX	K36G2		69	637	A8
400T, U	TEFC, TEFC-XT, TEFC-XEX	K40G2	85	113	948	A8

**NOTE:** See notes on inside back flap.

Gearmotors and Gear Products

PT Components

Motor Accessories

Grinders

Generators

Servo Motors and Controls

Mod Express

Baldor Education Workshops

Classifications and Sales Offices

EISA Compliance Table & Index

### NEMA DC Motor C-Face Kits for Field Conversion

**Features:** For DC motors with catalog number ending in "P". These complete kits are for motors on pages 319-321.



**For use with Legacy Baldor Motor Designs**

Catalog Number	Frame	Bearing	Enclosure	List Price	Mult. Sym.	Ap'x Shpg. Wgt.
180-5002	180ATC	6206	Drip-Proof	788	P1	18
210-5001	210ATC	6207	Drip Proof or Totally Enclosed	684	P1	12
250-5001	250ATC	6209	Drip Proof or Totally Enclosed	1,457	P1	75
280-5002	280ATC	6210	Drip Proof	1,930	P1	57
320-5002	320ATC	6211	Drip Proof	2,690	P1	87
360-5001	360ATC	6213	Drip Proof or Totally Enclosed	4,127	P1	121
400-5001	400ATC	6214	Drip Proof or Totally Enclosed	4,998	P1	173

### Double C-Face Motor Brake Kits

**Coil Voltage: 115/208-230**

**Features:** Double C-Face coupler brakes. Mounts on motors with C-Face, provides NEMA C-face mounting on brake. Spring set, electrically released.



Brake Rating	Brake Mounting	Catalog Number	List Price	Mult. Sym.	Ap'x. Shpg. Wgt.
3 ft-lb	56C	CBK003-1	585	A8	12
6 ft-lb	56C	CBK006-1	861	A8	12
6 ft-lb	145TC	CBK006-2	861	A8	12
10 ft-lb	145TC	CBK010-1	1,004	A8	12
15 ft-lb	145TC	CBK015-1	2,146	A8	12

**NOTE:** See notes on inside back flap.

### D-Flange Kits



Complete kits with hardware necessary for converting legacy Baldor 145T-445T frame rigid base motors to “D-Flange” mounting with base. Please furnish the motor specification number when ordering.

**For use with Legacy Baldor Motor Designs**

NEMA Frame	Enclosure	Catalog Number	List Price	Mult. Sym.	Ap'x. Shpg. Weight Lbs.
143-145T	TEFC	35EP1506A01SP	187	A8	8
143-145T	OPEN	35EP1604A01SP	183	A8	8
182-184T	OPEN	36EP1405A09SP	203	A8	8
182-184TD	TEFC	36EP1304A62SP	206	A8	15
286-286 U,T	TEFC	10EP1502A01SP	507	A8	39
324-326 U,T	TEFC	12EP1501A03SP	876	A8	50
364-365 U,T	OPEN	14EP1601A01SP	617	A8	61
364-365 U,T	TEFC	14EP1705A01SP	1,067	A8	73
404-405 U,T	OPEN	16EP1601A01SP	1,302	A8	67
404-405 U,T	TEFC	16EP1501A01SP	1,371	A8	75
444-445 U,T	OPEN	18EP1600A01SP	1,890	A8	97
444-445 U,T	TEFC	18EP1500A01SP	1,668	A8	168
447-449	TEFC	18EP1506A01SP	1,726	A8	155

### D-Flange Kits

**For use with Legacy Reliance Motor Designs**

Frame	Enclosure	Catalog Number	Notes	Ap'x. Shpg. Wgt. Lbs.	List Price	Mult. Sym.
180, 180T	TEFC, TEFC-XT, TEFC-XEX	K18G6	47	18	492	A8
210, 210T	TEFC, TEFC-XT, TEFC-XEX	K21G6	47	128	603	A8

**NOTE:** See notes on inside back flap.

### Drip Covers for Field Conversion



### Standard ODP Motors to Vertical Mount

**Features:** Complete kits with all hardware, attaches to endplate with no drilling. Designed to protect open steel band motors from rain, snow and ice when mounted outdoors in a vertical position. Made from heavy steel. Primed and painted inside and out. For a Baldor conversion, refer to the Mod Express Section in this catalog.

**For use with Legacy Baldor Motor Designs**

Catalog Number	Description	List Price	Mult. Sym.	Ap'x. Shpg. Wgt.
FCD34	34/48-56	82	A8	1
FCD35	35/56-145	115	A8	1
FCD36	36/182-184	100	A8	2
FCD37	37/213-256	121	A8	3
FCD39	39/254-256	162	A8	3
FCD40	40/284-286	173	A8	12
FCD42	42/324-326	186	A8	5

**NOTE:** Refer to Abbreviations on the inside back flap for definitions of Kit Catalog No. and Description.

### Fan Cover/Conduit Boxes for Field Conversion



### Standard TEFC Cast Iron Motors

**Applications:** For all Cast Iron construction.

**Features:** Complete kits consists of cast iron fan covers and cast iron conduit boxes when necessary. The kits also include all necessary mounting hardware. These kits replace the standard steel fan cover and aluminum conduit box when used. For a Baldor conversion, refer to the Mod Express Section in this catalog.

**For use with Legacy Baldor Motor Designs**

Catalog Number	Description	List Price	Mult. Sym.	Ap'x. Shpg. Wgt.
FFC05	05/143-5T	162	A8	6
FFC06	06/182-4T	173	A8	10
FFC07WB	07/213-5T	257	A8	19
FFC09WB	09/254-6U & T	353	A8	28

**NOTE:** Refer to Abbreviations on the inside back flap for definitions of Kit Catalog No. and Description. Catalog numbers ending in WB include a cast iron conduit box and lid. NOT FOR USE ON EXPLOSION PROOF MOTORS.

**SHADED RATINGS ARE CAST IRON FRAMES**

### Ball Bearing to Roller Bearing Conversion Kit



### TEFC Motors 449T thru G5012

**Applications:** To accommodate heavy belted loads.

**Features:** Complete kit consists of roller bearings, retainer, spacers and proper grease. For Baldor conversion, refer to the Mod Express section in this catalog.

**For use with Super-E® Liberator Motors**

NEMA Frame	Motor Poles	Motor Enclosure	Catalog Number	List Price	Mult. Sym.	Ap'x. Shpg. Wgt.
G5008L-G5012L	4	TEFC	RBT322-G30	2,322	A8	34

### Gear Motor Accessories Conduit Box Kit



Baldor 24 Frame stock gearmotors are designed to accommodate this optional conduit/capacitor box.

Motor Types	Kit Description	Catalog Number	List Price	Mult. Sym.	Ap'x. Shpg. Wgt.
2412, 2416, 2420, 2424	Combination Conduit/Capacitor Mounting Box Kit	<b>BKP2400</b>	52	A8	1

### PSM Mounting Adapters



**B92** is formed steel mounting base that bolts to machined surface on bottom of PSM gear box casting. Provides secure foot mounting of gear motor and drop-in interchangeability with other major manufacturers.

**B93** is a three point face mounting adapter. Provides interchangeability with other manufacturers.

Catalog Number	Description	List Price	Mult. Sym.	Ap'x. Shpg. Wgt.
<b>B92</b>	Foot Mount	42	A8	1
<b>B93</b>	3 Point Face Mount	54	A8	1

### “L” Type Mounting Brackets



**Applications:** Mounting bracket for PSSH and PSL gear motors. Securely mounts to gear face in 90 degree locations for floor, wall or ceiling mount. Catalog LB74 is not recommended for PSL/PSLH units weighing over 20 lbs. For units weighing more than 20 lbs. use LB75.

Catalog Number	List Price	Mult. Sym.	Ap'x. Shpg. Wgt.
<b>LB73</b>	42	A8	2
<b>LB73GR</b>	42	A8	2
<b>LB74</b>	60	A8	2
<b>LB75</b>	83	A8	7

**NOTE:** (1) Painted Baldor gray. LB73 & LB73GR for PSSH style gearmotors, LB74 & LB75 for PSL/PSLH style gearmotors.

### H Gearbox Accessories



Baldor offers single and three-phase hollow bore (shaft mount) gearmotors. By adding a base and shaft kit, they can also be used on applications requiring a right-angle shaft extension. The shaft can be used for either right or left hand output applications.

Catalog Number	Description	List Price	Mult. Sym.	Ap'x. Shpg. Wgt.
<b>B19H71</b>	Horiz Base Kit	71	A8	1
<b>SH10HS</b>	Output Shaft Kit	22	A8	2

### Motors and Gearmotors UL, cUL and CSA Approvals



Product Type	CSA LR2262	UL E46145	CUL E46145
AC	Motor Models and Frames 24, 25, 33	Motor Models and Frames 24, 25, 33	
DC	Motor Models and Frames 73, 74: 90V Ratings Only Motor Models and Frames 25, 33: Not Restricted to 90 Volts	Motor Models and Frames 23, 25, 33, 73, 74, 125, 135	Motor Model and Frames 23, 125, 135

Gearmotors and Gear Products

PT Components

Motor Accessories

Grinders

Generators

Servo Motors and Controls

Mod Express

Baldor Education Workshops

Classifications and Sales Offices

EISA Compliance Table & Index

### Adjustable Motor Bases

These motor bases simplify mounting and belt tension adjustment at installation and during later maintenance checks. These are heavy duty adjustable motor bases manufactured of steel or plate. All bases are detergent washed, painted with dark gray primer and oven baked for corrosion resistance. The nuts and bolts are zinc plated. NEMA 215T and smaller bases feature one adjusting screw. Bases for NEMA 254T frame and larger motors feature two adjusting screws. Motor mounting bolts are included. Bases listed can be used with motor frame numbers given and succeeded by the letters S, T, U, US and TS, or any other letter combinations provided the motors' base meets NEMA standards.



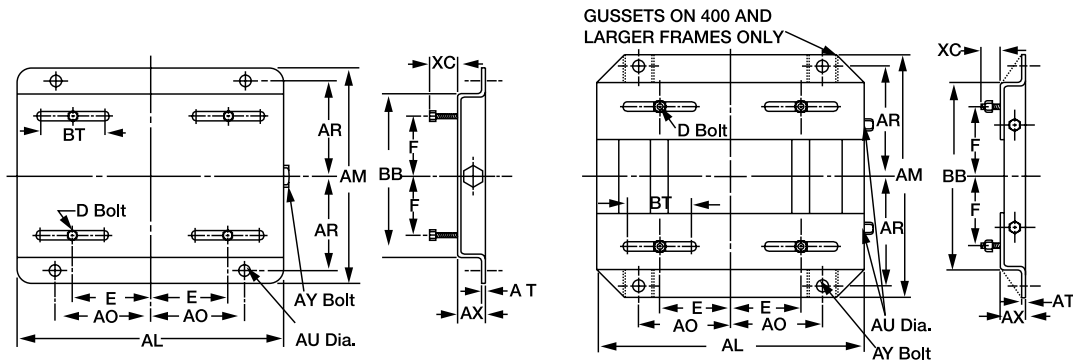
NEMA Frame Motors	Base Catalog Number	List Price	Mult. Sym.	No. of Adjusting Screws	Motor Mounting Bolt Size	Ap'x Shpg. Wgt.
48	<b>B48T</b>	93	A8	1	5/16 x 1	3
56	<b>B56T</b>	93	A8	1	5/16 x 1	5
143T	<b>B143T</b>	119	A8	1	5/16 x 1	6
145T	<b>B145T</b>	119	A8	1	5/16 x 1	7
182T	<b>B182T</b>	126	A8	1	3/8 x 1 1/2	10
184T	<b>B184T</b>	126	A8	1	3/8 x 1 1/2	10
213T	<b>B213T</b>	146	A8	1	3/8 x 1 1/2	14
215T	<b>B215T</b>	146	A8	1	3/8 x 1 1/2	15
254T	<b>B254T</b>	241	A8	2	1/2 x 1 3/4	21
256T	<b>B256T</b>	241	A8	2	1/2 x 1 3/4	21
284T	<b>B284T</b>	274	A8	2	1/2 x 2	24
286T	<b>B286T</b>	274	A8	2	1/2 x 2	26
324T	<b>B324T</b>	423	A8	2	5/8 x 2 1/2	34
326T	<b>B326T</b>	423	A8	2	5/8 x 2 1/2	37
364T	<b>B364T</b>	527	A8	2	5/8 x 2 1/2	48
365T	<b>B365T</b>	527	A8	2	5/8 x 2 1/2	50
404T	<b>B404T</b>	784	A8	2	3/4 x 3	62
405T	<b>B405T</b>	784	A8	2	3/4 x 3	66
444T	<b>B444T</b>	958	A8	2	3/4 x 3	70
445T	<b>B445T</b>	958	A8	2	3/4 x 3	71
447T	<b>B447T</b>	1,129	A8	2	3/4 x 3 1/2	93
449T	<b>B449T</b>	1,129	A8	2	3/4 x 3 1/2	99
G5008-G5012	<b>B5000RLS (1)</b>	1,701	A8	2	7/8 x 3 1/2	149

**NOTE:** Bases not suitable for vertical mounting. See base dimensions on next page.

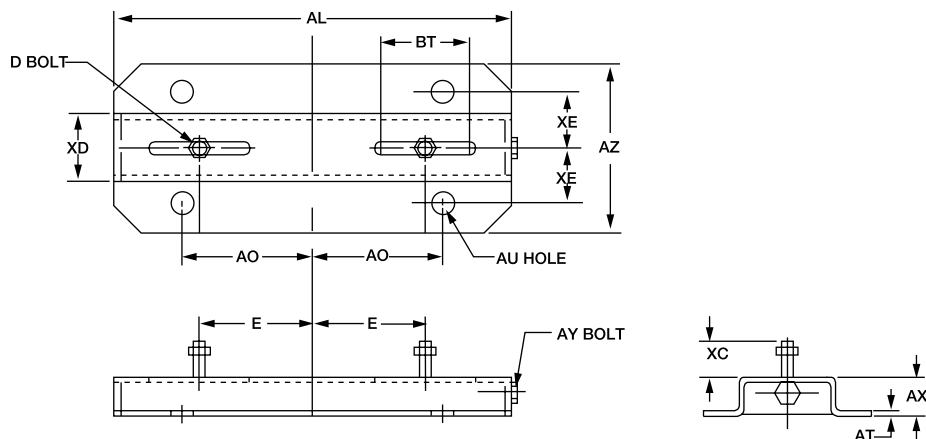
(1) One adjustable motor rail.



### Adjustable Motor Bases Dimension Diagrams



NEMA Frame	Catalog Number	E	F	AL	AM	AO	AR	AT	AU	AX	BB	BT	XC	D Bolt	AY Bolt
48	<b>B48T</b>	2.125	1.375	10.00	6.25	3.50	2.75	0.078	0.375	1.125	4.25	3.00	0.875	5/16 x 1	3/8 x 4
56	<b>B56T</b>	2.437	1.50	10.625	6.50	3.812	2.875				4.50				
143	<b>B143T</b>	2.75	2.00	10.50	7.50	3.75	3.375	0.109	0.375	1.125	5.50	3.00	0.812	5/16 x 1	3/8 x 4
145	<b>B145T</b>		2.50		8.50		3.875				6.50				
182	<b>B182T</b>	3.75	2.25	12.75	9.50	4.50	4.25	0.140	0.50	1.50	6.50	3.00	1.50	3/8 x 1-3/4	1/2 x 5
184	<b>B184T</b>		2.75		10.50		4.75				7.50				
213	<b>B213T</b>	4.25	2.75	15.00	11.00	5.25	4.75	0.156	0.50	1.75	7.50	3.50	1.50	3/8 x 1-3/4	1/2 x 5
215	<b>B215T</b>		3.50		12.50		5.50				9.00				
254	<b>B254T</b>	5.00	4.125	17.75	15.125	6.25	6.625	0.187	0.625	2.00	10.75	4.00	1.437	1/2 x 1-3/4	5/8 x 6
256	<b>B256T</b>		5.00		16.875		7.50				12.50				
284	<b>B284T</b>	5.50	4.75	19.75	16.875	7.00	7.50	0.187	0.625	2.00	12.514	4.50	1.687	1/2 x 2	5/8 x 6
286	<b>B286T</b>		5.50		18.375		8.25								
324	<b>B324T</b>	6.25	5.256	22.75	19.25	8.00	8.50	0.187	0.75	2.50	14.00	5.25	2.187	5/8 x 2-1/2	3/4 x 9
326	<b>B326T</b>				20.75		9.25				15.50				
364	<b>B364T</b>	7.00	5.625	25.50	20.50	9.00	9.125	0.25	0.75	2.50	15.50	6.00	2.062	5/8 x 2-1/2	3/4 x 9
365	<b>B365T</b>		6.625		21.50		9.625				16.50				
404	<b>B404T</b>	8.00	6.125	28.75	22.375	10.00	9.875	0.25	0.875	3.00	16.50	7.00	2.50	3/4 x 3	3/4 x 11
405	<b>B405T</b>		6.387		23.875		10.625				18.00				
444	<b>B444T</b>	9.00	7.25	31.25	24.625	11.00	11.00	0.25	0.875	3.00	19.25	7.50	2.50	3/4 x 3	3/4 x 11
445	<b>B445T</b>		8.25		26.625		12.00				21.25				
447	<b>B447T</b>	9.00	10.00	31.25	30.125	11.00	13.75	0.312	1.125	3.00	24.75	7.50	3.00	3/4 x 3-1/2	3/4 x 14
449	<b>B449T</b>		12.50		35.125		16.25				29.75				3/4 x 11



NEMA Frame	Catalog Number	E	AL	AO	AL	AU	AX	AZ	BT	XC	XO	XE	D Bolt	AY Bolt
G5000	<b>B5000RLS</b>	10.00	35.00	12.50	0.312	1.00	3.50	12.00	8.00	3.00	6.00	4.50	7/8 x 3-1/2	7/8 x 16

DIMENSIONS ARE FOR REFERENCE ONLY, CONSULT A BALDOR DISTRICT OFFICE FOR CERTIFIED DIMENSIONS

### Conversion Bases

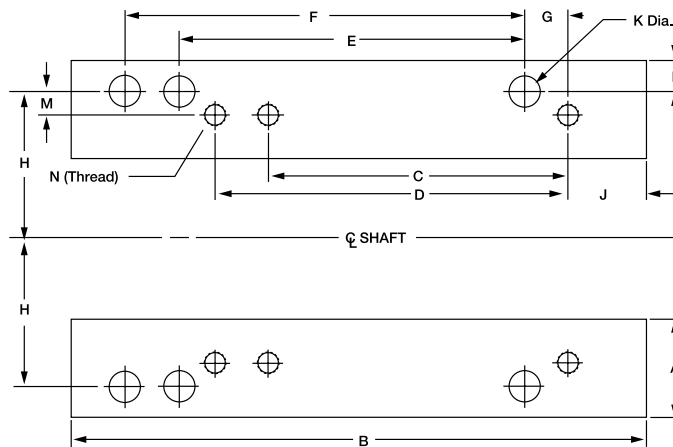


These Conversion Bases are designed to allow NEMA "T" frame motors to be used where corresponding NEMA "U" frame motors have been applied. Consisting of right and left hand pieces that fit to existing mounting studs positioned for "U" frame motors. The "T" frame motor is mounted to the pieces resulting in compensation for the difference in motor height, shaft position and mounting hole between the previous "U" frame motor and the replacement "T" frame motor. Made of the same top quality material as the adjustable motor bases.

Catalog Number	Converts From "U" Frame	Converts To "T" Frame	List Price	Mult. Sym.	Ap'x Shpg. Wgt.	Height Inches	Width Inches	Length Inches	Thread
CB1814T	182/184	143T/145T	100	A8	2	1	2 1/4	7 1/2	5/16-18
CB2118T	213/215	182T/184T	141	A8	2	3/4	1 3/4	9 1/2	3/8-16
CB2521T	254U/256U	213T/215T	162	A8	6	1	2 7/16	12 3/4	3/8-16
CB2825T	284U/286U	254T/256T	219	A8	7	3/4	2 3/4	14 1/4	1/2-13
CB3228T	324U/326U	284T/286T	302	A8	9	1	3 1/4	15 3/4	1/2-13
CB3632T	364U/365U	324T/326T	372	A8	12	1	3 11/16	16 1/2	5/8-11
CB4036T	404U/405U	364T/365T	510	A8	20	1	4 1/4	18 5/8	5/8-11

**NOTE:** Dimensions are for one piece. Two pieces supplied. Design is for horizontal mounting. Motor shimming may be required for direct drive applications.

### Conversion Bases Dimension Diagrams



Catalog Number	Converts From	Converts To	A	B	Height	C	D	E	F	G	H	J	K	L	M	N(Thread)
CB1814T	182-184	143T-145T	2.25	7.50	1.00	4.00	5.00	4.50	5.50	0.50	3.75	1.00	0.437	0.50	1.0	5/16-18
CB2118T	213-215	182T-184T	1.75	8.50	0.75	4.50	5.50	5.50	7.00	1.00	4.25	1.00	0.437	0.437	0.5	3/8-16
CB2521T	254U-256U	213T-215T	2.437	12.75	1.00	5.50	7.00	8.25	10.00	1.125	5.00	1.00	0.562	0.625	0.75	3/8-16
CB2825T	284U-286U	254T-256T	2.75	14.25	0.75	8.25	10.00	9.50	11.00	1.375	5.50	1.25	0.562	0.937	0.5	1/2-13
CB3228T	324U-326U	284T-286T	3.25	15.75	1.00	9.50	11.00	10.50	12.00	1.50	6.25	1.50	0.687	0.937	0.75	1/2-13
CB3632T	364U-365U	324T-326T	3.687	16.50	1.00	10.50	12.00	11.25	12.25	1.75	7.00	1.75	0.687	1.187	0.75	5/8-11
CB4036T	404U-405U	364T-365T	4.25	18.625	1.00	11.25	12.25	12.25	13.75	2.00	8.00	2.00	0.812	1.25	1.0	5/8-11

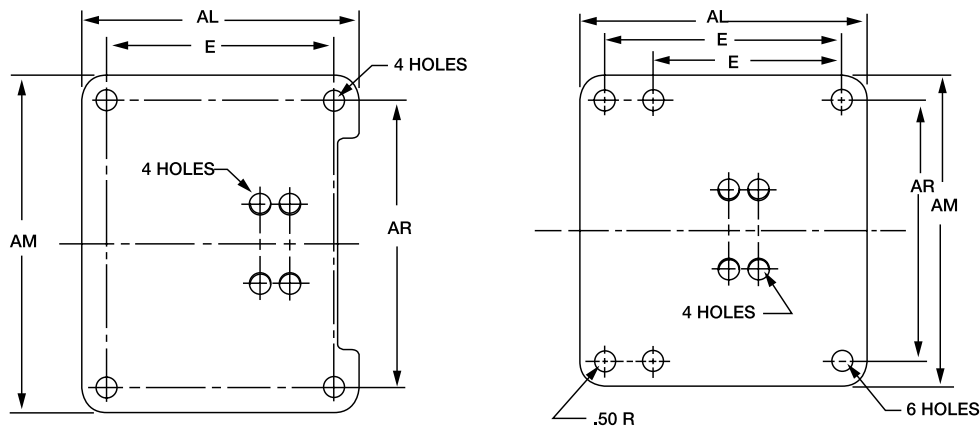
### Metric Frame Weld On Bases

Heavy duty, stamped steel metric bases for welding to steel band motor designs. These give metric base mounting dimensions to NEMA frame motors.



IEC Frame	Catalog Number	Description	List Price	Mult. Sym.	Ap'x Shpg. Wgt.
D71	MB3371	33/42	32	A8	1
D80	MB3480	34/48-56	40	A8	1
D90	MB3590	35/56-145	41	A8	2
D112	MB36112	36/182-184	67	A8	3
D132	MB37132	37/213-256	93	A8	6

### Metric Weld On Bases Dimension Diagrams



IEC Frame	E	AL	AM	AR
D71	3.531	4.25	5.125	4.406
D80	3.937	5.125	6.00	4.921
D90S D90L	3.937 4.921	5.937	6.50	5.50
D112S D112M	4.50 5.50	6.50	8.625	7.50
D132S D132M	5.50 7.00	8.00	9.50	8.50

DIMENSIONS ARE FOR REFERENCE ONLY, CONSULT A BALDOR DISTRICT OFFICE FOR CERTIFIED DIMENSIONS

### Conduit Box Kits



#### For use with Legacy Reliance Motor Designs

Frame Size	Catalog Number	List Price	Mult. Sym.
<b>Conduit Box Kit – Standard Size</b>			
56 - 140T	K56H3260	152	P1
180T, 182T-4T	K18G7	91	P1
210T, 213T-5	K21G7	91	P1
184T,215T,250, 254-6	K25G8	121	P1
254-6T,280T,284-6,324-6	K28G8	121	P1
320T	K32G8	239	P1
360T	K36G8	239	P1
400T	K40G8	262	P1
440T	K44G8	290	P1
<b>Conduit Box Kit – Oversize</b>			
180T	K25G8	121	P1
210T	K25G8	121	P1
250T	K25G8	121	P1
280T	K28G9	234	P1
320T	K36G8	239	P1
360T	K36G9	262	P1
400T	K40G9	290	P1
400T	K44G9	311	P1

Frame Size	Catalog Number	List Price	Mult. Sym.
<b>Auxiliary Conduit Box Kits</b>			
180/210	K18G21	107	P1
250	K25G23	118	P1
280	K28G23	138	P1
320	K32G23	146	P1
360	K36G16	273	P1
400	K40G3	290	P1
440	K44G5	619	P1

Frame Size	Catalog Number	List Price	Mult. Sym.
<b>Drip Cover/Canopy Kit</b>			
180T	K18G2	160	P1
180T	K18G19	160	P1
210T	K21G2	200	P1
210T	K21G19	200	P1
250T	K25G3	484	P1
280T	K28G3	580	P1

Frame Size	Catalog Number	List Price	Mult. Sym.
<b>Mill and Chemical Duty Kit Cast Iron Shroud and Conduit Box</b>			
180T	K18G50	290	P1
210T	K21G50	397	P1
210T	K21G18	397	P1
250T	K25G50	542	P1
250T	K25G18	542	P1
280T	K28G50	638	P1
280T	K28G18	638	P1
320T	K32G50	697	P1
320T	K32G18	697	P1
360T	K36G50	1,122	P1
360T	K36G18	1,122	P1

Frame Size	Catalog Number	List Price	Mult. Sym.
<b>Terminal Block Kit</b>			
56-140T	K56G3233	99	P1
180	K18G0060	223	P1
250	K25G0060	262	P1
280	K28G0060	262	P1
320	K32G0060	359	P1
360	K36G0060	542	P1
440	K44G0060	610	P1
447 & 449	K49G0060	1,016	P1

NEMA Frame	Catalog Number	List Price	Ap'x Shpg. Wgt. Lbs.	Mult. Sym.
<b>Conduit Box – Standard Size</b>				
42	33CB5000A01SP	32	P1	1
42	33CB5001A01SP	32	P1	1
48	34CB5001A01SP	31	P1	1
56 - 143-5T	35CB5001A01SP	34	P1	1
182T-4T	36CB5001A01SP	36	P1	1
182T-4T	36CB5001A06SP	41	P1	2
182T-4T	36CB5001A07SP	61	P1	2
213T-5T	37CB5002A06SP	41	P1	2
213T-5T	37CB5002A07SP	36	P1	4
184T,215T,254-6	09CB5001A01SP	71	P1	3
184T,215T,254-6	09CB5001A15SP	56	P1	3
254-6T,284-6,324-6	10CB5001A01SP	95	P1	6
254-6T,284-6,324-6	10CB5002A01SP	115	P1	4

### CC Series Power Factor Correction Capacitors



### 0.4 kVAR to 80.0 kVAR ratings

**Applications:** To be used with 460V 3-phase induction motors where an improved power factor rating is desired. These Power Factor Correction units are available for motor loads only. The heavy duty “NL” version is available for when the line harmonic content is 5% or greater.

**Features:** CC series power factor correction capacitors incorporate high quality three phase vacuum impregnated cells within a NEMA 3R, 16 gauge steel housing. The dielectric fluid is non-toxic, biodegradable and a Class III combustible.

kVAR	Catalog Number	List Price	Mult. Sym.
<b>Linear Loads</b>			
0.4	CC4000.4	438	E8
0.5	CC4000.5	438	E8
0.6	CC4000.6	438	E8
0.75	CC4000.75	438	E8
1.0	CC4001	509	E8
1.25	CC4001.25	516	E8
1.5	CC4001.5	522	E8
2.0	CC4002	531	E8
2.5	CC4002.5	538	E8
3.00	CC4003	553	E8
3.5	CC4003.5	569	E8
4.0	CC4004	585	E8
5.0	CC4005	615	E8
6.0	CC4006	662	E8
7.5	CC4007.5	697	E8
10.0	CC4010	790	E8
12.5	CC4012.5	837	E8
15.0	CC4015	889	E8
17.5	CC4015.5	968	E8
20.0	CC4020	1,045	E8
22.5	CC4022.5	1,102	E8
25.0	CC4025	1,117	E8
30.0	CC4030	1,223	E8
32.5	CC4032.5	1,338	E8
35.0	CC4035	1,360	E8
40.0	CC4040	1,448	E8
50.0	CC4050	1,455	E8
60.0	CC4060	1,744	E8
80.0	CC4080	2,131	E8
<b>Heavy Duty – High Harmonic Content</b>			
7.5	CC4007.5NL	1,436	E8
10.0	CC4010NL	2,052	E8
12.5	CC4012.5NL	2,564	E8
15.0	CC4015NL	2,780	E8
17.5	CC4017.5NL	2,838	E8
20.0	CC4020NL	2,911	E8
22.5	CC4022.5NL	2,985	E8
25.0	CC4025NL	3,240	E8
30.0	CC4030NL	3,593	E8
32.5	CC4032.5NL	3,874	E8
35.0	CC4035NL	4,201	E8
40.0	CC4040NL	4,791	E8
50.0	CC4050NL	4,819	E8
60.0	CC4060NL	5,782	E8
75.0	CC4075NL	7,188	E8
80.0	CC4080NL	7,672	E8

**NOTE:** Refer to NEC Article 460 for the proper installation of capacitors and especially to article 460.9, which concerns motor overload protection and capacitor placement.

Gearmotors and Gear Products

PT Components

Motor Accessories

Grinders

Generators

Servo Motors and Controls

Mod Express

Baldor Education Workshops

Classifications and Sales Offices

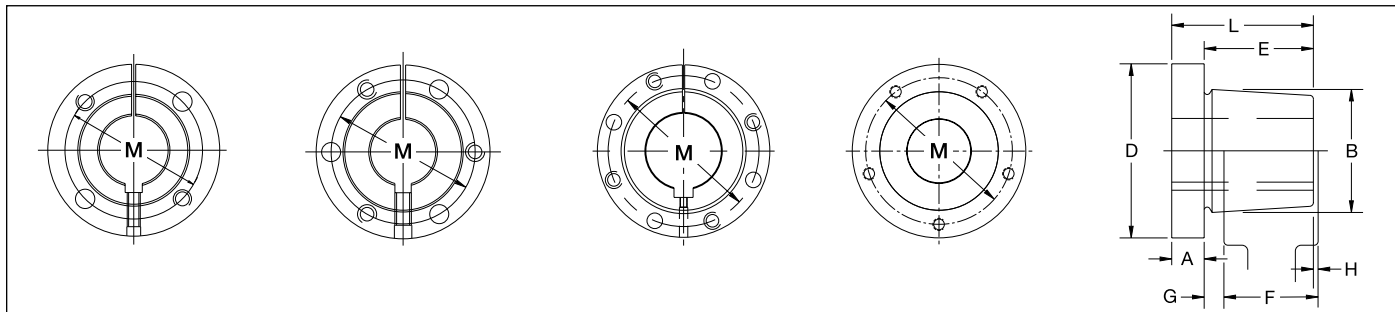
EISA Compliance Table & Index

### "QD" Bushing



**Features:** All Bushings up to sizes M, and those with a shallow keyseat, are manufactured in DUCTILE iron, a stronger material offering numerous advantages. All sizes have a set screw over the keyway to secure the key, which is advantageous in vertical applications. 100% interchangeable with licensed manufacturer's products. Available in inches & metric sizes. Available "Short" for weld-on hubs. Full, not partial split.

**How to order: Example: SFX1-1/16;** SF=Bushing Size. X1-1/16=Bore Size (1-1/16") Inch bore sizes are designated with the whole inch followed by the fraction. For example, a 1.5" diameter bore would be 1-1/2. Metric bore sizes are designated with "MM" after the metric dimension (X 25MM).



Bushing "L"  
("H" - Cross Reference)

Bushing  
"JA to J" Inclusive

Bushing "M to W"  
Inclusive

Bushing "S"

Taper 3/4" per FT  
on Diameter - B -

### Dimensions

Bushing Size	List Price	Mult. Sym.	Dimensions - Inches									Cap Screws Required NC Grade 5	Set Screw Dimensions	Bore Range		Approx. Wt. (lbs)
			A	B	D	E	F	G	H	L	Bolt Circle M			Min.	Max.	
L	9.00	QDB20	11/32	1 5/8	2 1/2	1	29/32	3/16	3/32	1 11/32	2	2=1/4X7/8	10-24 UNC x 1/4"	3/8	1 1/2	0.7
JA	10.90	QDB01	5/16	1 3/8	2	11/16	5/8	13/64	9/64	1	1 21/32	3=10-24X1	10-24 UNC x 1/4"	1/2	1 1/4	0.4
SH	14.90	QDB01	3/8	1 7/8	2 11/16	7/8	3/4	1/4	1/8	1 1/4	2 1/4	3=1/4X1 3/8	1/4-20 UNC x 1/4"	1/2	1 11/16	0.9
SDS	17.30	QDB01	7/16	2 3/16	3 3/16	7/8	3/4	1/4	1/8	1 5/16	2 11/16	3=1/4X1 3/8	1/4-20 UNC x 1/4"	1/2	2	1.3
SD	20.80	QDB01	7/16	2 3/16	3 3/16	1 3/8	1 1/4	1/4	1/8	1 13/16	2 11/16	3=1/4X1 7/8	1/4-20 UNC x 1/4"	1/2	2	1.6
SK	26.80	QDB01	1/2	2 13/16	3 7/8	1 3/8	1 1/4	5/16	3/16	1 7/8	3 5/16	3=5/16X2	1/4-20 UNC x 1/4"	1/2	2 5/8	2.7
SF	33.00	QDB01	1/2	3 1/8	4 5/8	1 1/2	1 1/4	5/16	1/16	2	3 7/8	3=3/8X2	5/16-18 UNC x 3/8"	1/2	2 15/16	3.9
E	69.20	QDB01	3/4	3 27/32	6	1 7/8	1 5/8	5/16	1/16	2 5/8	5	3=1/2X2 3/4	3/8-16 UNC x 3/8"	7/8	3 1/2	8.5
F	128.00	QDB01	13/16	4 7/16	6 5/8	2 13/16	2 1/2	13/32	3/32	3 5/8	5 5/8	3=9/16X3 5/8	3/8-16 UNC x 3/8"	1	4	13.3
J	160.00	QDB01	1	5 5/32	7 1/4	3 1/2	3 3/16	13/32	3/32	4 1/2	6 1/4	3=5/8X4 1/2	3/8-16 UNC x 3/8"	1 7/16	4 1/2	20.8
M	320.00	QDB01	1 1/4	6 1/2	9 1/8	5 1/2	5 3/16	13/32	3/32	6 3/4	7 7/8	4=3/4X7	3/8-16 UNC x 1/2"	2	5 1/2	48.5
N	560.00	QDB03	1 1/2	7	10	6 5/8	6 1/4	9/16	3/16	8 1/8	8 1/2	4=7/8X8	1/2-13 UNC x 5/8"	2 3/4	6	62.1
P	840.00	QDB03	1 3/4	8 1/4	11 3/4	7 5/8	7 1/4	5/8	1/4	9 3/8	10	4=1X9 1/2	5/8-11 UNC x 1 1/4"	2 15/16	7	108.8
W	1480.00	QDB03	2	10 7/16	15	9 3/8	9	5/8	1/4	11 3/8	12 3/4	4=1 1/8X11 1/2	1-8 UNC x 1 1/2"	4 1/4	8-1/2	218.9
S	3480.00	QDB03	3 1/4	12 1/8	17 3/4	12 1/2	12	13/16	5/16	15 3/4	15	5=1 1/4X15 1/2	1 1/4-7 UNC x 2"	5 1/2	10	382.0
SX5**	3132.00	QDB03	3 1/4	12 1/8	17 3/4	12 1/2	12	13/16	5/16	15 3/4	15	5=1 1/4X15 1/2	1 1/4-7 UNC x 2"	5 1/2	9	382.0
SX7-1/2**	3132.00	QDB03	3 1/4	12 1/8	17 3/4	12 1/2	12	13/16	5/16	15 3/4	15	5=1 1/4X15 1/2	1 1/4-7 UNC x 2"	7 3/4	9	382.0

\*\* RB = Rough bore  
Note: Standard millimeter bores also available.  
Note: Approx. weight in lbs. for an average size bore.

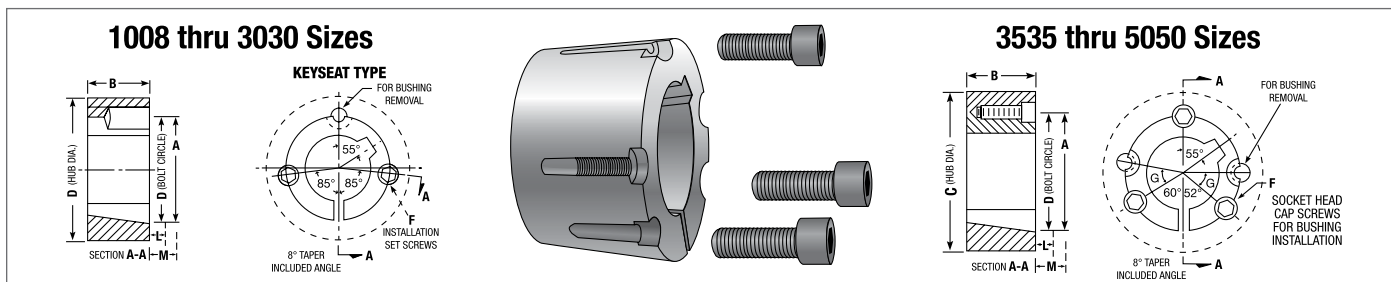


### Taper-Lock Bushings



**Features:** Available in inches & millimeter bores. Flush mounting. Sizes 1008-5050.

**How to order: Example: 2012X1-3/8;** 2012 = Bushing Size. The Taper-Lock bushing size is defined by 4 digits representing two numbers. The first two digits represent the maximum bore size and the second two digits represent the bushing length. For example, product number 1008 has a max. bore of 1.0" and a total length of 0.8" X 1-3/8 = Bore Size (1-3/8)". Inch bore sizes are designated with the whole inch followed by the fraction. For example, a 1.5" diameter bore would be 1-1/2. Metric bore sizes are designated with "MM" after the metric dimension (X 25MM).



### Dimensions for 1008 thru 5050

Bushing Size	List Price	Mult. Sym.	Rating • Torque Capacity (lb - in.)	Hub Diam. Ref.				Installation Screw +			L *		M *		Bore Range		Approx. Wt. (lbs)
				A	B	C	D	Qty	Size	G	Std Hex Key	Short Key €	Std Hex Key	Short Key €	Min.	Max.	
1008	11.60	TLB23	1,200	1 3/8	7/8	2 3/16	1 21/64	2	1/4 x 1/2		1 1/8	5/8	1 1/4	3/4	1/2	1	0.2
1108	12.00	TLB23	1,300	1 1/2	7/8	2 5/16	1 29/64	2	1/4 x 1/2		1 1/8	5/8	1 1/4	3/4	1/2	1 1/8	0.2
1210	12.80	TLB23	3,600	1 7/8	1	3 1/4	1 3/4	2	3/8 x 5/8		1 3/8	13/16	1 5/8	1 1/16	1/2	1 1/4	0.5
1215	14.00	TLB23	3,550	1 7/8	1 1/2	2 7/8	1 3/4	2	3/8 x 5/8		1 3/8	13/16	1 5/8	1 1/16	1/2	1 1/4	0.3
1310	14.40	TLB23	3,850	2	1	3 3/8	1 7/8	2	3/8 x 5/8		1 3/8	13/16	1 5/8	1 1/16	1/2	1 7/16	0.6
1610	14.80	TLB23	4,300	2 1/4	1	3 5/8	2 1/8	2	3/8 x 5/8		1 3/8	13/16	1 5/8	1 1/16	1/2	1 11/16	0.7
1615	15.40	TLB23	4,300	2 1/4	1 1/2	3 1/4	2 1/8	2	3/8 x 5/8		1 3/8	1 3/16	1 5/8	1 11/16	1/2	1 11/16	1.0
2012	20.00	TLB23	7,150	2 3/4	1 1/4	4 3/8	2 5/8	2	7/16 x 7/8		1 9/16	15/16	2	1 3/8	1/2	2 1/8	1.4
2517	24.60	TLB23	11,600	3 3/8	1 3/4	4 7/8	3 1/4	2	1/2 x 1		1 5/8	1	2 1/4	1 5/8	1/2	2 11/16	3.1
2525	36.40	TLB23	11,300	3 3/8	2 1/2	4 1/2	3 1/4	2	1/2 x 1		1 5/8	1	2 1/4	1 5/8	3/4	2 1/2	3.5
3020	37.00	TLB23	24,000	4 1/4	2	6 1/4	4	2	5/8 x 1 1/4		1 13/16	1 3/16	2 11/16	2 1/16	7/8	3 1/4	5.0
3030	54.00	TLB23	24,000	4 1/4	3	5 3/4	4	2	5/8 x 1 1/4		1 13/16	1 3/16	2 11/16	2 1/16	15/16	3 1/4	7.4
3535	76.00	TLB23	44,800	5	3 1/2	7	4 27/32	3	1/2 x 1 1/2	39	2	1 5/16	3 3/8	2 11/16	1 3/16	3 15/16	9.8
4040	122.00	TLB23	77,300	5 3/4	4	8 1/2	5 35/64	3	5/8 x 1 3/4	40	2 3/8	1 5/8	4 1/8	3 3/8	1 7/16	4 7/16	15.4
4545	152.00	TLB23	110,000	6 3/8	4 1/2	9 1/2	6 1/8	3	3/4 x 2	40	2 5/8	1 15/16	4 3/4	4 1/16	1 15/16	4 15/16	21.0
5050	246.00	TLB23	126,000	7	5	10 1/2	6 23/32	3	7/8 x 2 1/4	37	2 13/16	2 5/16	5 1/4	4 13/16	2 7/16	5	29.0

+ Use in position shown in drawing above for tightening bushing on shaft. When loosening bushing, remove screws and use all except one in the other holes.

\* Space required to remove bushing using jackscrews - no puller required.

€ Standard hex key cut to minimum useable length.

• Peak torque loads must not exceed torque capacity rating shown. Capacity values shown are for light starting and steady running conditions. For more severe duty, divide torque capacity by service factor referred to in Baldor•Maska® Product Catalog.

Note: Approx. weight in lbs. for an average size bore.

## Light Duty Fixed Bore: MA, 2MA



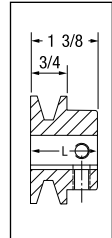
**Features:** All products have 2 set screws and this definite advantage results in a tighter grip of the mounted product on the shaft for improved performance. Bore range 1/2" to 1-7/16". 1 & 2 grooves, A & 3L-4L belts.

**Note:** DO NOT use these gray cast iron sheaves with rim speeds in excess of 6500 feet per minute.

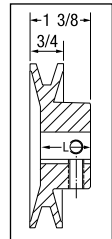
**How to order: Example: 2MA65X1-1/8;** 2MA65 = Sheave size X 1-1/8 = Bore size (1-1/8"). Inch bore sizes are designated with the whole inch followed by the fraction. For example, a 1.5" diameter bore would be 1-1/2".

## MA (A & 3L-4L V-BELTS) 1 GROOVE

D.D. (3L) Belts	D.D. A (4L) Belts	O.D.	Part No.	Cross Ref.	List Price	Mult. Sym.	T	L	Standard Bores	Max. Bore	Approx. Wt. (lbs)
-	1.30	1.55	MA15*	-	8.00	LDS04	1B	1 1/4	1/2 · 5/8	5/8	0.4
-	1.50	1.75	MA18*	AK17	8.32	LDS04	1B	1 3/8	1/2 · 5/8 · 3/4	3/4	0.4
1.41	1.75	2.00	MA20	AK20	8.32	LDS04	1B	1 3/8	1/2 · 5/8 · 3/4 · 7/8	7/8	0.7
1.51	1.85	2.10	MA21	AK21	8.68	LDS04	1B	1 3/8	1/2 · 5/8 · 3/4 · 7/8	7/8	0.7
1.61	1.95	2.20	MA22	AK22	8.68	LDS04	1B	1 3/8	1/2 · 5/8 · 3/4 · 7/8	7/8	0.8
1.71	2.05	2.30	MA23	AK23	9.24	LDS04	1B	1 3/8	1/2 · 5/8 · 3/4 · 7/8 · 1	1	0.8
1.76	2.10	2.35	MA24	-	9.42	LDS04	1B	1 3/8	1/2 · 5/8 · 3/4 · 7/8	7/8	0.8
1.91	2.25	2.50	MA25	AK25	9.60	LDS04	2B	1 1/4	1/2 · 5/8 · 3/4 · 7/8 · 1 · 1 1/8	1 1/8	0.9
2.01	2.35	2.60	MA26	AK26	9.76	LDS04	2B	1 1/4	1/2 · 5/8 · 3/4 · 7/8 · 1	1 1/8	0.9
2.11	2.45	2.70	MA27	AK27	10.04	LDS04	2B	1 1/4	1/2 · 5/8 · 3/4 · 7/8 · 1	1 1/8	0.9
2.21	2.55	2.80	MA28	AK28	11.00	LDS04	2B	1 1/4	1/2 · 5/8 · 3/4 · 7/8 · 1 · 1 1/8	1 1/8	0.9
2.46	2.80	3.05	MA30	AK30	11.88	LDS04	2B	1 1/4	1/2 · 5/8 · 3/4 · 7/8 · 1 · 1 1/8	1 1/8	1.2
2.66	3.00	3.25	MA33	AK32	12.24	LDS04	2B	1 1/4	1/2 · 5/8 · 3/4 · 7/8 · 1 · 1 1/8	1 1/8	1.5
2.86	3.20	3.45	MA35	AK34	13.32	LDS04	2B	1 1/4	1/2 · 5/8 · 3/4 · 7/8 · 1 · 1 1/8	1 1/8	1.4
3.16	3.50	3.75	MA38	AK39	16.60	LDS04	2W	1 1/8	1/2 · 5/8 · 3/4 · 7/8 · 15/16 · 1 · 1 1/8	1 1/8	1.5
3.36	3.70	3.95	MA40	AK41	19.16	LDS04	2W	1 1/8	1/2 · 5/8 · 3/4 · 7/8 · 15/16 · 1 · 1 1/8	1 3/16	2.0
3.66	4.00	4.25	MA43	AK44	19.72	LDS04	2W	1 1/8	1/2 · 5/8 · 3/4 · 7/8 · 15/16 · 1 · 1 1/8	1 3/16	2.0
3.86	4.20	4.45	MA45	AK46	20.56	LDS04	2W	1 1/8	1/2 · 5/8 · 3/4 · 7/8 · 15/16 · 1 · 1 1/8	1 3/16	2.0
4.16	4.50	4.75	MA48	AK49	20.76	LDS04	1A	1 3/8	1/2 · 5/8 · 3/4 · 7/8 · 15/16 · 1 · 1 1/8	1 3/16	2.0
4.36	4.70	4.95	MA50	AK51	21.92	LDS04	1A	1 3/8	1/2 · 5/8 · 3/4 · 7/8 · 1 · 1 1/8 · 1 3/16	1 3/16	2.0
4.66	5.00	5.25	MA53	AK54	22.32	LDS04	1A	1 3/8	1/2 · 5/8 · 3/4 · 7/8 · 15/16 · 1 · 1 1/8 · 1 3/16	1 3/16	2.5
4.86	5.20	5.45	MA55	AK56	23.96	LDS04	1A	1 3/8	1/2 · 5/8 · 3/4 · 7/8 · 15/16 · 1 · 1 1/8 · 1 3/16	1 3/16	2.5
5.16	5.50	5.75	MA58	AK59	25.36	LDS04	1A	1 3/8	1/2 · 5/8 · 3/4 · 7/8 · 15/16 · 1 · 1 1/8 · 1 3/16	1 3/16	2.5
5.36	5.70	5.95	MA60	AK61	25.56	LDS04	1A	1 3/8	1/2 · 5/8 · 3/4 · 7/8 · 15/16 · 1 · 1 1/8 · 1 3/16	1 3/16	3.0
5.66	6.00	6.25	MA63	AK64	26.24	LDS04	1A	1 3/8	1/2 · 5/8 · 3/4 · 7/8 · 15/16 · 1 · 1 1/8 · 1 3/16	1 1/4	3.0
5.86	6.20	6.45	MA65	AK66	27.28	LDS04	1A	1 3/8	1/2 · 5/8 · 3/4 · 7/8 · 1 · 1 1/8	1 1/4	3.0
6.16	6.50	6.75	MA68	AK69	29.68	LDS04	1A	1 3/8	1/2 · 5/8 · 3/4 · 7/8 · 1 · 1 1/8 · 1 3/16	1 1/4	3.0
6.36	6.70	6.95	MA70	AK71	30.92	LDS04	1A	1 3/8	1/2 · 5/8 · 3/4 · 7/8 · 1 · 1 1/8 · 1 3/16 · 1 7/16	1 1/4	3.5
6.66	7.00	7.25	MA73	AK74	31.04	LDS04	1A	1 3/8	1/2 · 5/8 · 3/4 · 7/8 · 15/16 · 1 · 1 1/8 · 1 3/16 · 1 1/4 · 1 7/16	1 1/4	3.5
7.16	7.50	7.75	MA78	AK79	35.48	LDS04	1A	1 3/8	5/8 · 3/4 · 7/8 · 1 · 1 1/8 · 1 7/16	1 1/4	3.5
7.41	7.75	8.00	MA80	-	35.48	LDS04	1A	1 3/8	1/2 · 5/8 · 3/4 · 7/8 · 1 · 1 1/8 · 1 3/16 · 1 7/16	1 1/4	3.5
7.66	8.00	8.25	MA83	AK84	37.96	LDS04	1A	1 3/8	1/2 · 5/8 · 3/4 · 7/8 · 15/16 · 1 · 1 1/8 · 1 3/16 · 1 7/16	1 1/4	4.4
8.16	8.50	8.75	MA88	AK89	41.32	LDS04	1A	1 3/8	5/8 · 3/4 · 7/8 · 1 · 1 1/8 · 1 7/16	1 1/4	4.5
8.41	8.75	9.00	MA90	-	41.32	LDS04	1A	1 3/8	1/2 · 5/8 · 3/4 · 7/8 · 1 · 1 1/8 · 1 3/16 · 1 7/16	1 1/4	4.5
8.66	9.00	9.25	MA93	AK94	42.20	LDS04	1A	1 3/8	1/2 · 5/8 · 3/4 · 7/8 · 15/16 · 1 · 1 1/8 · 1 3/16 · 1 1/4 · 1 7/16	1 1/4	5.4
9.16	9.50	9.75	MA98	AK99	44.20	LDS04	1A	1 3/8	5/8 · 3/4 · 7/8 · 1 · 1 1/8 · 1 7/16	1 1/4	5.5
9.41	9.75	10.00	MA100	-	44.20	LDS04	1A	1 3/8	1/2 · 5/8 · 3/4 · 7/8 · 1 · 1 1/8 · 1 3/16 · 1 7/16	1 7/16	5.5
9.66	10.00	10.25	MA103	AK104	45.04	LDS04	1A	1 3/8	5/8 · 3/4 · 7/8 · 1 · 1 1/8 · 1 3/16 · 1 1/4 · 1 3/8 · 1 7/16	1 1/4	6.0
10.16	10.50	10.75	MA108	AK109	48.28	LDS04	1A	1 3/8	3/4 · 7/8 · 1 · 1 1/8 · 1 3/8 · 1 7/16	1 1/4	6.0
10.41	10.75	11.00	MA110	-	48.28	LDS04	1A	1 3/8	1/2 · 5/8 · 3/4 · 7/8 · 1 · 1 1/8 · 1 7/16	1 5/8	6.5
10.66	11.00	11.25	MA113	AK114	50.72	LDS04	1A	1 3/8	1/2 · 5/8 · 3/4 · 7/8 · 1 · 1 1/8 · 1 3/16 · 1 7/16	1 3/16	6.5
11.41	11.75	12.00	MA120	-	56.60	LDS04	1A	1 3/8	1/2 · 5/8 · 3/4 · 7/8 · 1 · 1 1/8 · 1 3/16 · 1 7/16	1 7/16	7.5
11.66	12.00	12.25	MA123	AK124	56.60	LDS04	1A	1 3/8	5/8 · 3/4 · 7/8 · 1 · 1 1/8 · 1 3/16 · 1 1/4 · 1 7/16	1 7/16	7.0
12.66	13.00	13.25	MA133	AK134	67.96	LDS04	1A	1 3/8	5/8 · 3/4 · 7/8 · 1 · 1 1/8 · 1 3/16 · 1 3/8 · 1 7/16	1 3/4	8.5
13.66	14.00	14.25	MA143	AK144	75.40	LDS04	1A	1 3/8	5/8 · 3/4 · 7/8 · 1 · 1 1/8 · 1 3/16 · 1 7/16	1 1/4	9.0
14.66	15.00	15.25	MA153	AK154	85.00	LDS04	1A	1 3/8	5/8 · 3/4 · 7/8 · 1 · 1 1/8 · 1 3/16 · 1 3/8 · 1 7/16	1 3/4	9.0
17.66	18.00	18.25	MA183	AK184	107.56	LDS04	1A	1 3/8	5/8 · 3/4 · 7/8 · 1 · 1 1/8 · 1 3/16 · 1 7/16	1 7/8	14.0



TYPE 1



TYPE 2

P.D. for "A" (4L) Belts = O.D.

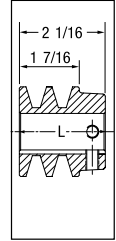
P.D. for "3L" Belts = D.D.+0.25 = O.D.-0.34

\*DO NOT use 3L belts with MA15 and MA18 sheaves.

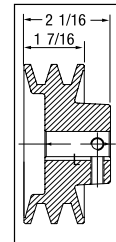
Type of sheave "T": A = arms; B = block; W = web

### 2MA (A V-BELTS) 2 GROOVES

D.D. A Belts	O.D.	Part No.	Cross Reference	List Price	Mult. Sym.	T	L	Standard Bores	Max. Bore	Approx. Wt. (lbs)
1.75	2.00	2MA20	2AK20	20.64	LDS04	3B	2 1/16	1 1/2 · 5/8 · 3/4	3/4	1.0
1.90	2.15	2MA22	2AK21	20.64	LDS04	3B	2 1/16	1/2 · 5/8 · 3/4	7/8	1.0
2.00	2.25	2MA23	2AK22	22.72	LDS04	3B	2 1/16	1/2 · 5/8 · 3/4 · 7/8 · 1	1	1.0
2.10	2.35	2MA24	2AK23	22.72	LDS04	4B	1 7/8	1/2 · 5/8 · 3/4 · 7/8 · 1	1 1/8	1.0
2.30	2.55	2MA25	2AK25	22.88	LDS04	4B	1 11/16	1/2 · 5/8 · 3/4 · 7/8 · 1 · 1 1/8	1 1/8	1.5
2.40	2.65	2MA27	2AK26	25.12	LDS04	4B	1 7/8	1/2 · 5/8 · 3/4 · 7/8 · 1 · 1 1/8	1 1/8	1.5
2.50	2.75	2MA28	2AK27	27.68	LDS04	4B	1 11/16	1/2 · 5/8 · 3/4 · 7/8 · 1 · 1 1/8	1 1/8	1.5
2.60	2.85	2MA29	2AK28	27.68	LDS04	4B	1 11/16	1/2 · 5/8 · 3/4 · 7/8 · 1 · 1 1/8	1 1/8	1.5
2.80	3.05	2MA30	2AK30	30.72	LDS04	4B	1 11/16	1/2 · 5/8 · 3/4 · 7/8 · 1 · 1 1/8	1 1/8	2.0
3.00	3.25	2MA33	2AK32	34.56	LDS04	4B	1 5/8	1/2 · 5/8 · 3/4 · 7/8 · 1 · 1 1/8	1 1/8	2.0
3.20	3.45	2MA35	2AK34	35.68	LDS04	4B	1 5/8	1/2 · 5/8 · 3/4 · 7/8 · 1 · 1 1/8	1 1/8	2.5
3.50	3.75	2MA38	2AK39	36.32	LDS04	4B	1 5/8	1/2 · 5/8 · 3/4 · 7/8 · 1 · 1 1/8	1 3/16	3.0
3.70	3.95	2MA40	2AK41	40.36	LDS04	4W	1 9/16	1/2 · 5/8 · 3/4 · 7/8 · 1 · 1 1/8	1 3/16	3.0
4.00	4.25	2MA43	2AK44	41.60	LDS04	4W	1 9/16	1/2 · 5/8 · 3/4 · 7/8 · 1 · 1 1/8	1 3/16	3.0
4.20	4.45	2MA45	2AK46	43.32	LDS04	4W	1 11/16	1/2 · 5/8 · 3/4 · 7/8 · 1 · 1 1/8	1 3/16	4.0
4.50	4.75	2MA48	2AK49	44.40	LDS04	4W	1 9/16	1/2 · 5/8 · 3/4 · 7/8 · 1 · 1 1/8 · 1 3/8	1 3/8	3.5
4.70	4.95	2MA50	2AK51	45.44	LDS04	4W	1 9/16	1/2 · 5/8 · 3/4 · 7/8 · 1 · 1 1/8	1 3/16	4.0
5.00	5.25	2MA53	2AK54	45.92	LDS04	4W	1 9/16	5/8 · 3/4 · 7/8 · 1 · 1 1/8 · 1 3/8	1 3/16	4.0
5.20	5.45	2MA55	2AK56	46.72	LDS04	4W	1 9/16	5/8 · 3/4 · 7/8 · 1 · 1 1/8 · 1 3/8	1 3/16	5.0
5.50	5.75	2MA58	2AK59	50.52	LDS04	4W	1 9/16	1/2 · 5/8 · 3/4 · 7/8 · 1 · 1 1/8 · 1 3/16 · 1 3/8	1 3/8	5.0
5.70	5.95	2MA60	2AK61	52.08	LDS04	4W	1 11/16	1/2 · 5/8 · 3/4 · 7/8 · 1 · 1 1/8 · 1 3/8	1 3/8	6.0
6.00	6.25	2MA63	2AK64	54.48	LDS04	4A	1 9/16	5/8 · 3/4 · 7/8 · 1 · 1 1/8 · 1 3/16 · 1 3/8 · 1 7/16	1 11/16	5.5
6.75	7.00	2MA70	-	60.96	LDS04	4A	1 9/16	1/2 · 5/8 · 3/4 · 7/8 · 1 · 1 1/8 · 1 7/16	1 11/16	6.0
7.00	7.25	2MA73	2AK74	61.96	LDS04	4A	1 9/16	3/4 · 7/8 · 1 · 1 1/8 · 1 3/16 · 1 3/8 · 1 7/16	1 11/16	6.0
7.75	8.00	2MA80	-	66.88	LDS04	4A	1 9/16	1/2 · 5/8 · 3/4 · 7/8 · 1 · 1 1/8 · 1 7/16	1 11/16	7.0
8.00	8.25	2MA83	2AK84	67.88	LDS04	4A	1 9/16	3/4 · 7/8 · 1 · 1 1/8 · 1 3/16 · 1 3/8 · 1 7/16 · 15/16	1 7/16	8.0
8.75	9.00	2MA90	-	72.80	LDS04	4A	1 9/16	5/8 · 3/4 · 7/8 · 1 · 1 1/8 · 1 7/16	1 7/16	8.5
9.00	9.25	2MA93	2AK94	73.80	LDS04	4A	1 9/16	3/4 · 7/8 · 1 · 1 1/8 · 1 3/16 · 1 3/8 · 1 7/16	1 11/16	9.0
9.75	10.00	2MA100	-	78.72	LDS04	4A	1 9/16	5/8 · 3/4 · 7/8 · 1 · 1 1/8 · 1 7/16	1 11/16	9.0
10.00	10.25	2MA103	2AK104	79.32	LDS04	4A	1 9/16	3/4 · 7/8 · 1 · 1 1/8 · 1 3/16 · 1 7/16 · 15/16	1 11/16	10.0
10.75	11.00	2MA110	-	85.08	LDS04	4A	1 9/16	3/4 · 7/8 · 1 · 1 1/8 · 1 7/16	1 11/16	10.0
11.00	11.25	2MA113	2AK114	86.08	LDS04	4A	1 9/16	3/4 · 7/8 · 1 · 1 1/8 · 1 3/16 · 1 3/8 · 1 7/16	1 11/16	11.0
11.75	12.00	2MA120	-	94.28	LDS04	4A	1 9/16	5/8 · 3/4 · 7/8 · 1 · 1 1/8 · 1 7/16	1 11/16	11.0
12.00	12.25	2MA123	2AK124	94.28	LDS04	4A	1 19/32	3/4 · 7/8 · 1 · 1 1/8 · 1 3/16 · 1 7/16	1 11/16	12.0
13.00	13.25	2MA133	2AK134	111.04	LDS04	4A	1 19/32	5/8 · 7/8 · 1 · 1 1/8 · 1 3/16 · 1 7/16	1 11/16	14.0
14.00	14.25	2MA143	2AK144	117.24	LDS04	4A	1 9/16	5/8 · 3/4 · 7/8 · 1 · 1 1/8 · 1 3/16 · 1 7/16	1 11/16	15.0
15.00	15.25	2MA153	2AK154	135.28	LDS04	4A	1 9/16	5/8 · 3/4 · 7/8 · 1 · 1 1/8 · 1 3/16 · 1 7/16	1 15/16	17.0
18.00	18.25	2MA183	2AK184	170.48	LDS04	4A	1 17/32	5/8 · 7/8 · 1 · 1 1/8 · 1 3/16 · 1 7/16	1 7/16	19.0



TYPE 3



TYPE 4

P.D. for "A" Belts = O.D.

Type of sheave "T": A = arms; B = block; W = web

Bore Range	Keyseat
1/2"	None
5/8" - 7/8"	3/16" X 3/32"
15/16" - 1 1/4"	1/4" X 1/8"
1 5/16" - 1 3/8"	5/16" X 5/32"
1 7/16" - 1 3/4"	3/8" X 3/16"



## Light Duty Fixed Bore: MB, 2MB



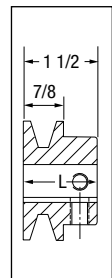
**Features:** All products have 2 set screws and this definite advantage results in a tighter grip of the mounted product on the shaft for improved performance. Bore range 1/2" to 1-7/16". 1 & 2 grooves, A-B & 4L-5L belts.

**Note:** DO NOT use these gray cast iron sheaves with rim speeds in excess of 6500 feet per minute.

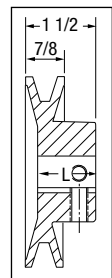
**How to order: Example: 2MB65X1-1/8;** 2MB65 = Sheave size X 1-1/8 = Bore size (1-1/8"). Inch bore sizes are designated with the whole inch followed by the fraction. For example, a 1.5" diameter bore would be 1-1/2.

## MB (A, B, 4L & 5L V-BELTS) 1 GROOVE

D.D. A (4L) Belts	D.D. B (5L) Belts	O.D.	Part No.	Cross Ref.	List Price	Mult. Sym.	T	L	Standard Bores	Max. Bore	Approx. Wt. (lbs)
*1.25	1.65	2.00	<b>MB20</b>	-	11.25	LDS04	5B	1 1/2	1/2* · 5/8* · 3/4*	3/4	0.5
*1.50	1.90	2.25	<b>MB23</b>	-	11.64	LDS04	6B	1 11/35	1/2 · 5/8 · 3/4 · 7/8 · 1*	1	1.0
1.65	2.05	2.40	<b>MB24</b>	BK24	11.64	LDS04	6B	1 1/2	1/2 · 5/8 · 3/4 · 7/8	1	1.0
*1.75	2.15	2.50	<b>MB25</b>	BK25	12.00	LDS04	5B	1 1/2	1/2 · 5/8 · 3/4 · 7/8 · 1* · 1 1/8*	1 1/8	1.0
1.85	2.25	2.60	<b>MB26</b>	BK26	12.68	LDS04	5B	1 1/2	1/2 · 5/8 · 3/4 · 7/8 · 1	1 1/8	1.0
1.95	2.35	2.70	<b>MB28</b>	BK27	13.20	LDS04	6B	1 3/8	1/2 · 5/8 · 3/4 · 7/8 · 1 · 1 1/8	1 1/8	1.0
2.20	2.60	2.95	<b>MB30</b>	BK28	13.20	LDS04	6B	1 3/8	1/2 · 5/8 · 3/4 · 7/8 · 1 · 1 1/8	1 1/8	1.0
2.40	2.80	3.15	<b>MB31</b>	BK30	13.56	LDS04	6B	1 3/8	1/2 · 5/8 · 3/4 · 7/8 · 1 · 1 1/8	1 1/8	1.0
2.50	2.90	3.25	<b>MB33</b>	-	14.72	LDS04	6B	1 3/8	1/2 · 5/8 · 3/4 · 7/8 · 1 · 1 1/8	1 1/8	1.0
2.60	3.00	3.35	<b>MB34</b>	BK32	14.72	LDS04	6B	1 3/8	1/2 · 5/8 · 3/4 · 7/8 · 1 · 1 1/8	1 1/8	1.0
2.80	3.20	3.55	<b>MB35</b>	BK34	18.08	LDS04	6B	1 3/8	1/2 · 5/8 · 3/4 · 7/8 · 1 · 1 1/8	1 1/8	1.5
3.00	3.40	3.75	<b>MB38</b>	BK36	19.72	LDS04	6B	1 1/4	1/2 · 5/8 · 3/4 · 7/8 · 1 · 1 1/8	1 1/8	1.5
3.20	3.60	3.95	<b>MB40</b>	BK40	20.56	LDS04	6B	1 1/4	1/2 · 5/8 · 3/4 · 7/8 · 1 · 1 1/8	1 3/16	2.0
3.50	3.90	4.25	<b>MB43</b>	BK45	21.04	LDS04	6W	1 1/4	1/2 · 5/8 · 3/4 · 7/8 · 1 · 1 1/8	1 3/16	2.0
3.70	4.10	4.45	<b>MB45</b>	BK47	22.72	LDS04	6W	1 1/4	1/2 · 5/8 · 3/4 · 7/8 · 1 · 1 1/8	1 3/16	2.0
4.00	4.40	4.75	<b>MB48</b>	BK50	23.04	LDS04	5W	1 1/2	1/2 · 5/8 · 3/4 · 7/8 · 15/16 · 1 · 1 1/8	1 1/4	2.5
4.20	4.60	4.95	<b>MB50</b>	BK52	23.12	LDS04	5W	1 1/2	1/2 · 5/8 · 3/4 · 7/8 · 1 · 1 1/8 · 1 3/16	1 1/4	2.5
4.50	4.90	5.25	<b>MB53</b>	BK55	24.48	LDS04	6W	1 5/16	1/2 · 5/8 · 3/4 · 7/8 · 1 · 1 1/8 · 1 3/16	1 3/16	3.0
4.70	5.10	5.45	<b>MB55</b>	BK57	25.56	LDS04	5A	1 1/2	1/2 · 5/8 · 3/4 · 7/8 · 15/16 · 1 · 1 1/8 · 1 3/16	1 1/4	2.5
5.00	5.40	5.75	<b>MB58</b>	BK60	26.24	LDS04	5A	1 1/2	1/2 · 5/8 · 3/4 · 7/8 · 1 · 1 1/8 · 1 3/16	1 3/16	2.5
5.20	5.60	5.95	<b>MB60</b>	BK62	26.44	LDS04	5A	1 1/2	1/2 · 5/8 · 3/4 · 7/8 · 15/16 · 1 · 1 1/8	1 1/2	2.5
5.50	5.90	6.25	<b>MB63</b>	BK65	29.64	LDS04	5A	1 1/2	1/2 · 5/8 · 3/4 · 7/8 · 1 · 1 1/8 · 1 3/16	1 5/16	3.0
5.70	6.10	6.45	<b>MB65</b>	BK67	30.76	LDS04	5A	1 1/2	5/8 · 3/4 · 7/8 · 1 · 1 1/8	1 1/4	3.0
6.00	6.40	6.75	<b>MB68</b>	BK70	34.24	LDS04	5A	1 1/2	5/8 · 3/4 · 7/8 · 15/16 · 1 · 1 1/8 · 1 3/16 · 1 7/16	1 1/4	4.0
6.20	6.60	6.95	<b>MB70</b>	BK72	36.36	LDS04	5A	1 1/2	1/2 · 5/8 · 3/4 · 7/8 · 1 · 1 1/8	1 1/4	3.5
6.50	6.90	7.25	<b>MB73</b>	BK75	37.08	LDS04	5A	1 1/2	1/2 · 3/4 · 7/8 · 1 · 1 1/8 · 1 3/16 · 1 3/8	1 3/8	3.5
6.70	7.10	7.45	<b>MB75</b>	BK77	37.40	LDS04	5A	1 1/2	5/8 · 3/4 · 1 · 1 1/8 · 1 3/8	1 1/2	4.0
7.00	7.40	7.75	<b>MB78</b>	BK80	37.96	LDS04	5A	1 1/2	1/2 · 5/8 · 3/4 · 7/8 · 1 · 1 1/8 · 1 3/16 · 1 1/4 · 1 3/8 · 1 7/16	1 3/8	4.0
7.25	7.65	8.00	<b>MB80</b>	-	40.26	LDS04	5A	1 1/2	1/2 · 5/8 · 3/4 · 7/8 · 1 · 1 1/8 · 1 3/16 · 1 7/16	1 1/4	4.0
7.50	7.90	8.25	<b>MB83</b>	BK85	42.76	LDS04	5A	1 1/2	1/2 · 5/8 · 3/4 · 7/8 · 1 · 1 1/8 · 1 3/8 · 1 7/16	1 3/8	4.5
8.00	8.40	8.75	<b>MB88</b>	BK90	44.00	LDS04	5A	1 1/2	1/2 · 5/8 · 3/4 · 7/8 · 15/16 · 1 · 1 1/8 · 1 3/8 · 1 3/16 · 1 7/16	1 1/4	5.0
8.25	8.65	9.00	<b>MB90</b>	-	44.88	LDS04	5A	1 1/2	1/2 · 5/8 · 3/4 · 7/8 · 1 · 1 1/8 · 1 7/16	1 1/4	5.0
8.50	8.90	9.25	<b>MB93</b>	BK95	47.00	LDS04	5A	1 1/2	1/2 · 3/4 · 7/8 · 1 · 1 1/8 · 1 3/8 · 1 7/16	1 7/16	5.5
9.00	9.40	9.75	<b>MB98</b>	BK100	48.60	LDS04	5A	1 1/2	1/2 · 3/4 · 7/8 · 15/16 · 1 · 1 1/8 · 1 3/16 · 1 1/4 · 1 3/8 · 1 7/16	1 1/4	6.0
9.25	9.65	10.00	<b>MB100</b>	-	48.60	LDS04	5A	1 1/2	1/2 · 5/8 · 3/4 · 7/8 · 1 · 1 1/8 · 1 3/16 · 1 7/16	1 7/16	6.0
9.50	9.90	10.25	<b>MB103</b>	BK105	53.20	LDS04	5A	1 1/2	1/2 · 7/8 · 1 · 1 1/8 · 1 3/8 · 1 7/16	1 5/8	6.5
10.00	10.40	10.75	<b>MB108</b>	BK110	55.88	LDS04	5A	1 1/2	1/2 · 5/8 · 3/4 · 7/8 · 1 · 1 1/8 · 1 3/8 · 1 7/16	1 7/16	7.0
10.25	10.65	11.00	<b>MB110</b>	-	55.88	LDS04	5A	1 1/2	5/8 · 3/4 · 7/8 · 1 · 1 1/8 · 1 7/16	1 5/8	7.0
10.50	10.90	11.25	<b>MB113</b>	BK115	57.28	LDS04	5A	1 1/2	1/2 · 3/4 · 7/8 · 1 · 1 1/8 · 1 3/8 · 1 7/16	1 5/8	8.0
11.00	11.40	11.75	<b>MB118</b>	BK120	59.68	LDS04	5A	1 1/2	5/8 · 3/4 · 7/8 · 1 · 1 1/8 · 1 3/16 · 1 3/8 · 1 7/16	1 5/8	8.0
11.25	11.65	12.00	<b>MB120</b>	-	57.68	LDS04	5A	1 1/2	1/2 · 5/8 · 3/4 · 7/8 · 1 · 1 1/8 · 1 3/16 · 1 7/16	1 5/8	8.0
12.00	12.40	12.75	<b>MB128</b>	BK130	66.72	LDS04	5A	1 1/2	1/2 · 5/8 · 3/4 · 7/8 · 1 · 1 1/8 · 1 3/16 · 1 7/16	1 5/8	9.0
13.00	13.40	13.75	<b>MB138</b>	BK140	80.12	LDS04	5A	1 1/2	5/8 · 3/4 · 7/8 · 1 · 1 1/8 · 1 3/16 · 1 7/16	1 5/8	10.0
15.00	15.40	15.75	<b>MB158</b>	BK160	104.20	LDS04	5A	1 1/2	1 · 1 1/8 · 1 3/16 · 1 1/4 · 1 7/16 · 1 3/16 · 1 7/16	1 5/8	12.0
18.00	18.40	18.75	<b>MB188</b>	BK190	120.00	LDS04	5A	1 1/2	1/2 · 5/8 · 3/4 · 7/8 · 1 · 1 1/8 · 1 3/16 · 1 1/4 · 1 7/16	1 5/8	14.0



TYPE 5



TYPE 6

P.D. for "A" (4L) Belts = Datum Dia. + 0.35" = O.D. - 0.40"

P.D. for "B" (5L) Belts = O.D.

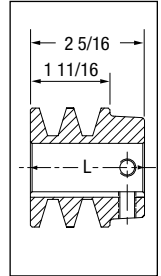
\*DO NOT use "A" or "4L" belts with these specific bores.

Type of sheave "T": A = arms; B = block; W = web

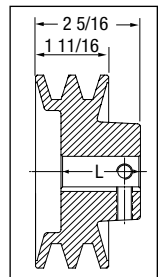
For more details and additional products, see complete Baldor•Maska® Product Catalog or [www.maskapulley.com](http://www.maskapulley.com)

### 2MB (A & B V-BELTS) 2 GROOVES

D.D. A Belts	D.D. B Belts	O.D.	Part No.	Cross Ref.	List Price	Mult. Sym.	T	L	Standard Bores	Max. Bore	Approx. Wt. (lbs)
*1.35	1.75	2.00	<b>2MB20</b>	-	25.42	LDS04	7B	2 1/8	*1/2 · *5/8 · *3/4 · *7/8	7/8	1.0
*1.60	2.00	2.25	<b>2MB23</b>	-	27.22	LDS04	8B	2 5/16	1/2 · 5/8 · 3/4 · *7/8	7/8	1.0
*1.90	2.30	2.50	<b>2MB25</b>	2BK25	29.12	LDS04	7B	2 5/16	1/2 · 5/8 · 3/4 · 7/8 · *1 · *1 1/8	1 1/8	1.5
2.10	2.50	2.70	<b>2MB28</b>	2BK27	30.08	LDS04	8B	1 15/16	1/2 · 5/8 · 3/4 · 7/8 · 1 · 1 1/8	1 1/8	1.5
2.20	2.60	2.95	<b>2MB30</b>	2BK28	32.36	LDS04	8B	1 15/16	1/2 · 5/8 · 3/4 · 7/8 · 1 · 1 1/8	1 1/8	2.0
2.40	2.80	3.15	<b>2MB32</b>	2BK30	34.44	LDS04	8B	1 7/8	1/2 · 5/8 · 3/4 · 7/8 · 1 · 1 1/8	1 1/8	2.0
2.50	2.90	3.25	<b>2MB33</b>	-	36.00	LDS04	8B	1 7/8	1/2 · 5/8 · 3/4 · 7/8 · 1 · 1 1/8	1 1/8	2.0
2.60	3.00	3.35	<b>2MB34</b>	2BK32	36.00	LDS04	8B	1 15/16	1/2 · 5/8 · 3/4 · 7/8 · 1 · 1 1/8	1 1/8	3.0
2.80	3.20	3.55	<b>2MB35</b>	2BK34	37.56	LDS04	8B	1 7/8	1/2 · 5/8 · 3/4 · 7/8 · 1 · 1 1/8	1 1/8	2.5
3.00	3.40	3.75	<b>2MB38</b>	2BK36	38.60	LDS04	8B	1 7/8	1/2 · 3/4 · 7/8 · 1 · 1 1/8 · 1 3/8	1 3/8	3.0
3.20	3.60	3.95	<b>2MB40</b>	2BK40	40.36	LDS04	8B	1 11/16	1/2 · 5/8 · 3/4 · 7/8 · 1 · 1 1/8	1 3/16	3.0
3.50	3.90	4.25	<b>2MB43</b>	2BK45	43.48	LDS04	8W	1 13/16	1/2 · 1 · 1 1/8	1 1/4	4.0
3.70	4.10	4.45	<b>2MB45</b>	2BK47	43.48	LDS04	8W	1 13/16	1/2 · 5/8 · 3/4 · 7/8 · 1 · 1 1/8	1 1/4	4.0
4.00	4.40	4.75	<b>2MB48</b>	2BK50	46.64	LDS04	8W	1 13/16	1/2 · 5/8 · 3/4 · 7/8 · 1 · 1 1/8	1 1/4	4.0
4.20	4.60	4.95	<b>2MB50</b>	2BK52	47.88	LDS04	8W	1 11/16	1/2 · 5/8 · 3/4 · 7/8 · 1 · 1 1/8	1 1/4	4.5
4.50	4.90	5.25	<b>2MB53</b>	2BK55	50.36	LDS04	8W	1 13/16	1/2 · 5/8 · 3/4 · 7/8 · 1 · 1 1/8 · 1 3/8	1 5/16	5.0
4.70	5.10	5.45	<b>2MB55</b>	2BK57	51.88	LDS04	8W	1 13/16	1/2 · 5/8 · 3/4 · 7/8 · 1 · 1 1/8 · 1 3/8	1 5/16	5.0
5.00	5.40	5.75	<b>2MB58</b>	2BK60	54.12	LDS04	8W	1 13/16	1/2 · 3/4 · 7/8 · 1 · 1 1/8 · 1 3/8 · 7/8	1 3/8	5.0
5.20	5.60	5.95	<b>2MB60</b>	2BK62	55.16	LDS04	8W	1 13/16	5/8 · 3/4 · 7/8 · 1 · 1 1/8 · 1 3/8	1 5/16	6.0
5.50	5.90	6.25	<b>2MB63</b>	2BK65	58.56	LDS04	8A	1 13/16	1/2 · 1 · 1 1/8 · 1 3/8	1 11/16	6.0
5.70	6.10	6.45	<b>2MB65</b>	2BK67	61.88	LDS04	8A	1 11/16	1/2 · 5/8 · 3/4 · 7/8 · 1 · 1 1/8 · 1 3/8	1 11/16	6.0
6.00	6.40	6.75	<b>2MB68</b>	2BK70	68.68	LDS04	8A	1 13/16	1/2 · 5/8 · 3/4 · 1 · 1 1/8 · 1 3/16 · 1 3/8 · 1 7/16	1 11/16	6.0
6.25	6.65	7.00	<b>2MB70</b>	-	68.68	LDS04	8A	1 13/16	1/2 · 5/8 · 3/4 · 7/8 · 1 · 1 1/8 · 1 7/16	1 1/4	6.0
7.00	7.40	7.75	<b>2MB78</b>	2BK80	72.92	LDS04	8A	1 13/16	1/2 · 5/8 · 3/4 · 7/8 · 1 · 1 1/8 · 1 3/16 · 1 3/8 · 1 7/16	1 11/16	7.0
7.25	7.65	8.00	<b>2MB80</b>	-	72.92	LDS04	8A	1 13/16	1/2 · 5/8 · 3/4 · 7/8 · 1 · 1 1/8 · 1 7/16	1 11/16	8.0
8.00	8.40	8.75	<b>2MB88</b>	2BK90	75.40	LDS04	8A	1 13/16	3/4 · 1 · 1 1/8 · 1 3/16 · 1 3/8 · 1 7/16	1 11/16	8.0
8.25	8.65	9.00	<b>2MB90</b>	-	75.40	LDS04	8A	1 11/16	5/8 · 3/4 · 7/8 · 1 · 1 1/8 · 1 7/16	1 11/16	9.0
9.00	9.40	9.75	<b>2MB98</b>	2BK100	88.68	LDS04	8A	1 13/16	3/4 · 1 · 1 1/8 · 1 3/16 · 1 3/8 · 1 7/16	1 11/16	10.0
9.25	9.65	10.00	<b>2MB100</b>	-	88.68	LDS04	8A	1 13/16	5/8 · 3/4 · 7/8 · 1 · 1 1/8 · 1 7/16	1 11/16	10.0
10.00	10.40	10.75	<b>2MB108</b>	2BK110	94.20	LDS04	8A	1 13/16	1/2 · 5/8 · 3/4 · 7/8 · 1 · 1 1/8 · 1 3/16 · 1 7/16	1 11/16	13.0
10.25	10.65	11.00	<b>2MB110</b>	-	94.20	LDS04	8A	1 13/16	5/8 · 3/4 · 7/8 · 1 · 1 1/8 · 1 7/16	1 11/16	13.0
11.00	11.40	11.75	<b>2MB118</b>	2BK120	102.00	LDS04	8A	1 13/16	1 · 1 3/16 · 1 7/16	1 11/16	10.0
11.25	11.65	12.00	<b>2MB120</b>	-	102.00	LDS04	8A	1 11/16	5/8 · 3/4 · 7/8 · 1 · 1 1/8 · 1 1/4 · 1 7/16	1 11/16	15.0
12.00	12.40	12.75	<b>2MB128</b>	2BK130	114.60	LDS04	8A	1 13/16	1/2 · 1 · 1 3/16 · 1 7/16	1 7/8	15.0
13.00	13.40	13.75	<b>2MB138</b>	2BK140	120.28	LDS04	8A	1 13/16	1/2 · 5/8 · 3/4 · 7/8 · 1 · 1 1/8 · 1 3/16 · 1 7/16	1 7/8	17.0
15.00	15.40	15.75	<b>2MB158</b>	2BK160	143.24	LDS04	8A	1 13/16	1/2 · 1 · 1 3/16 · 1 3/8 · 1 7/16	1 7/8	18.0
18.00	18.40	18.75	<b>2MB188</b>	2BK190	183.76	LDS04	8A	1 13/16	1 1/8 · 1 3/16 · 1 7/16	1 7/8	26.0



TYPE 7



TYPE 8

P.D. for "A" Belts = Datum Dia. + 0.35" = O.D. - 0.40"

P.D. for "B" Belts = O.D.

\*DO NOT use "A" belts with these specific bores

Type of sheave "T": A = arms; B = block; W = web

Bore Range	Keyseat
1/2"	None
5/8" - 7/8"	3/16" X 3/32"
15/16" - 1 1/4"	1/4" X 1/8"
1 5/16" - 1 3/8"	5/16" X 5/32"
1 7/16" - 1 3/4"	3/8" X 3/16"





## Light Duty Bush Type: MAL, 2MAL



**Features:** Can handle up to 20 HP @ 1750 RPM. Bore range 1/2" to 1-1/2".  
1 & 2 grooves, A & 3L-4L belts.

**Note:** DO NOT use these gray cast iron sheaves with rim speeds in excess of 6500 feet per minute.

## MAL (A & 3L-4L V-BELTS)

This entire product series uses the "L" Bushing

### 1 GROOVE

D.D. (3L) Belts	D.D. A (4L) Belts	O.D.	Part No.	Cross Ref.	List Price	Mult. Sym.	Type	Dimensions*				Approx. Wt. (lbs)
								E	F	L	M	
2.46	2.8	3.05	<b>MAL30</b>	AK30H	19.06	LDS13	1B	3/8	3/4	1 11/32	31/32	1.15
2.66	3.0	3.25	<b>MAL32</b>	AK32H	19.36	LDS13	1B	3/8	3/4	1 11/32	31/32	1.30
2.86	3.2	3.45	<b>MAL34</b>	AK34H	19.64	LDS13	1B	3/32	3/4	1 11/32	11/16	1.20
3.16	3.5	3.75	<b>MAL37</b>	AK39H	20.78	LDS13	1B	3/32	3/4	1 11/32	11/16	1.50
3.36	3.7	3.95	<b>MAL39</b>	AK41H	21.06	LDS13	1B	3/32	3/4	1 11/32	11/16	1.75
3.66	4.0	4.25	<b>MAL42</b>	AK44H	21.34	LDS13	1B	3/32	3/4	1 11/32	11/16	2.05
3.86	4.2	4.45	<b>MAL44</b>	AK46H	21.62	LDS13	1B	3/32	3/4	1 11/32	11/16	2.25
4.16	4.5	4.75	<b>MAL47</b>	AK49H	21.92	LDS13	3W	3/32	3/4	1 11/32	11/16	2.10
4.36	4.7	4.95	<b>MAL49</b>	AK51H	22.20	LDS13	3W	3/32	3/4	1 11/32	11/16	2.35
4.66	5.0	5.25	<b>MAL52</b>	AK54H	22.48	LDS13	3W	3/32	3/4	1 11/32	11/16	2.65
4.86	5.2	5.45	<b>MAL54</b>	AK56H	22.80	LDS13	3W	3/32	3/4	1 11/32	11/16	2.75
5.16	5.5	5.75	<b>MAL57</b>	AK59H	23.24	LDS13	5A	3/32	3/4	1 11/32	11/16	2.60
5.36	5.7	5.95	<b>MAL59</b>	AK61H	23.72	LDS13	5A	3/32	3/4	1 11/32	11/16	2.50
5.66	6.0	6.25	<b>MAL62</b>	AK64H	24.32	LDS13	5A	3/32	3/4	1 11/32	11/16	2.60
5.86	6.2	6.45	<b>MAL64</b>	AK66H	25.08	LDS13	5A	3/32	3/4	1 11/32	11/16	2.70
6.16	6.5	6.75	<b>MAL67</b>	AK69H	27.48	LDS13	5A	3/32	3/4	1 11/32	11/16	2.85
6.36	6.7	6.95	<b>MAL69</b>	AK71H	28.96	LDS13	5A	3/32	3/4	1 11/32	11/16	2.90
6.66	7.0	7.25	<b>MAL72</b>	AK74H	30.36	LDS13	5A	3/32	3/4	1 11/32	11/16	3.10
7.16	7.5	7.75	<b>MAL77</b>	AK79H	33.08	LDS13	5A	3/32	3/4	1 11/32	11/16	3.35
7.66	8.0	8.25	<b>MAL82</b>	AK84H	35.20	LDS13	5A	1/8	3/4	1 11/32	23/32	3.85
8.16	8.5	8.75	<b>MAL87</b>	AK89H	37.92	LDS13	5A	3/32	3/4	1 11/32	11/16	4.10
8.66	9.0	9.25	<b>MAL92</b>	AK94H	40.96	LDS13	5A	3/32	3/4	1 11/32	11/16	4.40
9.16	9.5	9.75	<b>MAL97</b>	AK99H	43.52	LDS13	5A	3/32	3/4	1 11/32	11/16	4.60
9.66	10.0	10.25	<b>MAL102</b>	AK104H	44.12	LDS13	5A	3/32	3/4	1 11/32	11/16	4.90
10.16	10.5	10.75	<b>MAL107</b>	AK109H	46.36	LDS13	5A	3/32	3/4	1 11/32	11/16	5.20
10.66	11.0	11.25	<b>MAL112</b>	AK114H	47.84	LDS13	5A	3/32	3/4	1 11/32	11/32	5.55
11.66	12.0	12.25	<b>MAL122</b>	AK124H	52.28	LDS13	5A	3/32	3/4	1 11/32	11/16	5.90
12.66	13.0	13.25	<b>MAL132</b>	AK134H	60.28	LDS13	5A	3/32	3/4	1 11/32	11/16	6.55
13.66	14.0	14.25	<b>MAL142</b>	AK144H	67.72	LDS13	5A	3/32	3/4	1 11/32	11/16	7.30
14.66	15.0	15.25	<b>MAL152</b>	AK154H	74.52	LDS13	5A	3/32	3/4	1 11/32	11/16	9.80
17.66	18.0	18.25	<b>MAL182</b>	AK184H	88.00	LDS13	5A	3/32	3/4	1 11/32	11/16	9.95

P.D. for "A" (4L) Belts = O.D.

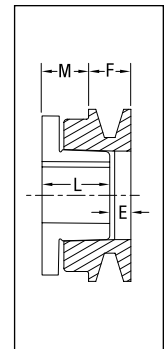
P.D. for "3L" Belts = D.D.+0.25 = O.D.-0.34

\* Dimensions to closest fraction.

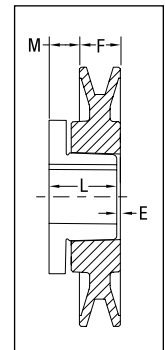
Legend: "E" and "M" dimensions may vary according to shaft tolerance.

With "L" bushing only reverse mounting is possible.

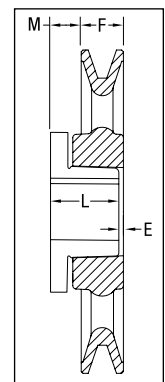
Type of sheave "T": A = arms; B = block; W = web



TYPE 1



TYPE 3



TYPE 5



### 2MAL (A V-BELTS)

This entire product series uses the "L" Bushing

### 2 GROOVES

D.D. "A" Belts	O.D.	Part No.	Cross Ref.	List Price	Mult. Sym.	Type	Dimensions*				Approx. Wt. (lbs)
							E	F	L	M	
2.8	3.05	<b>2MAL30</b>	2AK30H	33.36	LDS13	2B	1	1 3/8	1 11/32	31/32	1.70
3.0	3.25	<b>2MAL32</b>	2AK32H	37.48	LDS13	2B	1	1 3/8	1 11/32	31/32	1.90
3.2	3.45	<b>2MAL34</b>	2AK34H	37.76	LDS13	2B	23/32	1 3/8	1 11/32	11/16	1.90
3.5	3.75	<b>2MAL37</b>	2AK39H	38.56	LDS13	2B	23/32	1 3/8	1 11/32	11/16	2.15
3.7	3.95	<b>2MAL39</b>	2AK41H	42.68	LDS13	4B	3/32	1 3/8	1 11/32	1/16	2.30
4.0	4.25	<b>2MAL42</b>	2AK44H	44.16	LDS13	4B	3/32	1 3/8	1 11/32	1/16	2.75
4.2	4.45	<b>2MAL44</b>	2AK46H	46.24	LDS13	4W	3/32	1 3/8	1 11/32	1/16	2.85
4.5	4.75	<b>2MAL47</b>	2AK49H	47.12	LDS13	4W	3/32	1 3/8	1 11/32	1/16	3.50
4.7	4.95	<b>2MAL49</b>	2AK51H	48.44	LDS13	4W	3/32	1 3/8	1 11/32	1/16	3.70
5.0	5.25	<b>2MAL52</b>	2AK54H	50.52	LDS13	4W	3/32	1 3/8	1 11/32	1/16	4.05
5.2	5.45	<b>2MAL54</b>	2AK56H	51.24	LDS13	4W	3/32	1 3/8	1 11/32	1/16	4.20
5.5	5.75	<b>2MAL57</b>	2AK59H	51.68	LDS13	6A	3/32	1 3/8	1 11/32	1/16	3.90
5.7	5.95	<b>2MAL59</b>	2AK61H	52.88	LDS13	6A	3/32	1 3/8	1 11/32	1/16	4.05
6.0	6.25	<b>2MAL62</b>	2AK64H	55.76	LDS13	6A	3/32	1 3/8	1 11/32	1/16	4.50
7.0	7.25	<b>2MAL72</b>	2AK74H	62.36	LDS13	6A	3/32	1 3/8	1 11/32	1/16	5.70
8.0	8.25	<b>2MAL82</b>	2AK84H	69.20	LDS13	6A	3/32	1 3/8	1 11/32	1/16	6.50
9.0	9.25	<b>2MAL92</b>	2AK94H	74.36	LDS13	6A	3/32	1 3/8	1 11/32	1/16	7.80
10.0	10.25	<b>2MAL102</b>	2AK104H	77.92	LDS13	6A	3/32	1 3/8	1 11/32	1/16	8.80
11.0	11.25	<b>2MAL112</b>	2AK114H	86.68	LDS13	6A	3/32	1 3/8	1 11/32	1/16	9.50
12.0	12.25	<b>2MAL122</b>	2AK124H	91.40	LDS13	6A	3/32	1 3/8	1 11/32	1/16	10.60
13.0	13.25	<b>2MAL132</b>	2AK134H	96.76	LDS13	6A	3/32	1 3/8	1 11/32	1/16	11.90
14.0	14.25	<b>2MAL142</b>	2AK144H	102.36	LDS13	6A	3/32	1 3/8	1 11/32	1/16	12.45
15.0	15.25	<b>2MAL152</b>	2AK154H	114.68	LDS13	6A	3/32	1 3/8	1 11/32	1/16	14.00
18.0	18.25	<b>2MAL182</b>	2AK184H	151.12	LDS13	6A	3/32	1 3/8	1 11/32	1/16	17.95

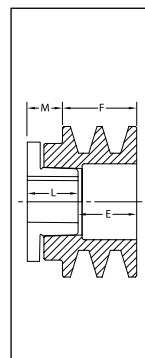
P.D. for "A" Belts = O.D.

\* Dimensions to closest fraction.

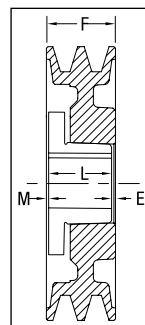
Legend: "E" and "M" dimensions may vary according to shaft tolerance.

With "L" bushing only reverse mounting is possible.

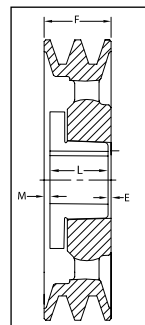
Type of sheave "T": A = arms; B = block; W = web



TYPE 2



TYPE 4



TYPE 6



Gearmotors and Gear Products

PT Components

Motor Accessories

Grinders

Generators

Servo Motors and Controls

Mod Express

Baldor Education Workshops

Classifications and Sales Offices

EISA Compliance Table & Index

## Light Duty Bush Type: MBL, 2MBL



**Features:** Can handle up to 20 HP @ 1750 RPM. Bore range 1/2" to 1-1/2".  
1 & 2 grooves, A-B & 4L-5L belts.

**Note:** DO NOT use these gray cast iron sheaves with rim speeds in excess of 6500 feet per minute.

## MBL (A-B & 4L-5L V-BELTS)

This entire product series uses the "L" Bushing

### 1 GROOVE

D.D. A(4L) Belts	D.D. B(5L) Belts	O.D.	Part No.	Cross Ref.	List Price	Mult. Sym.	Type	Dimensions*				Approx. Wt. (lbs)
								E	F	L	M	
2.40	2.80	3.15	<b>MBL31</b>	BK30H	21.68	LDS13	1B	17/32	29/32	1 11/32	63/64	1.25
2.60	3.00	3.35	<b>MBL33</b>	BK32H	23.06	LDS13	1B	17/32	29/32	1 11/32	63/64	1.40
2.80	3.20	3.55	<b>MBL35</b>	BK34H	23.10	LDS13	1B	17/32	29/32	1 11/32	63/64	1.65
3.00	3.40	3.75	<b>MBL37</b>	BK36H	23.28	LDS13	3B	3/32	29/32	1 11/32	17/32	1.40
3.20	3.60	3.95	<b>MBL39</b>	BK40H	23.34	LDS13	3B	3/32	29/32	1 11/32	17/32	1.70
3.50	3.90	4.25	<b>MBL42</b>	BK45H	23.84	LDS13	3B	3/32	29/32	1 11/32	17/32	2.05
3.70	4.10	4.45	<b>MBL44</b>	BK47H	24.36	LDS13	3B	3/32	29/32	1 11/32	17/32	2.35
4.00	4.40	4.75	<b>MBL47</b>	BK50H	24.92	LDS13	3W	3/32	29/32	1 11/32	17/32	1.95
4.20	4.60	4.95	<b>MBL49</b>	BK52H	25.44	LDS13	3W	3/32	29/32	1 11/32	17/32	2.40
4.50	4.90	5.25	<b>MBL52</b>	BK55H	25.96	LDS13	3W	3/32	29/32	1 11/32	17/32	2.35
4.70	5.10	5.45	<b>MBL54</b>	BK57H	26.46	LDS13	3W	3/32	29/32	1 11/32	17/32	2.90
5.00	5.40	5.75	<b>MBL57</b>	BK60H	26.76	LDS13	5W	3/32	29/32	1 11/32	17/32	2.45
5.20	5.60	5.95	<b>MBL59</b>	BK62H	28.20	LDS13	5W	3/32	29/32	1 11/32	17/32	2.80
5.50	5.90	6.25	<b>MBL62</b>	BK65H	30.08	LDS13	5W	3/32	29/32	1 11/32	17/32	2.70
5.70	6.10	6.45	<b>MBL64</b>	BK67H	30.96	LDS13	5W	3/32	29/32	1 11/32	17/32	2.80
6.00	6.40	6.75	<b>MBL67</b>	BK70H	32.04	LDS13	5A	3/32	29/32	1 11/32	17/32	3.00
6.20	6.60	6.95	<b>MBL69</b>	BK72H	33.52	LDS13	5A	3/32	29/32	1 11/32	17/32	3.60
6.50	6.90	7.25	<b>MBL72</b>	BK75H	34.92	LDS13	5A	3/32	29/32	1 11/32	17/32	3.45
6.70	7.10	7.45	<b>MBL74</b>	BK77H	35.36	LDS13	5A	3/32	29/32	1 11/32	17/32	3.65
7.00	7.40	7.75	<b>MBL77</b>	BK80H	35.96	LDS13	5A	3/32	29/32	1 11/32	17/32	3.80
7.50	7.90	8.25	<b>MBL82</b>	BK85H	39.92	LDS13	5A	3/32	29/32	1 11/32	17/32	4.55
8.00	8.40	8.75	<b>MBL87</b>	BK90H	42.48	LDS13	5A	3/32	29/32	1 11/32	17/32	5.10
8.50	8.90	9.25	<b>MBL92</b>	BK95H	45.68	LDS13	5A	3/32	29/32	1 11/32	17/32	5.30
9.00	9.40	9.75	<b>MBL97</b>	BK100H	47.44	LDS13	5A	3/32	29/32	1 11/32	17/32	5.80
9.50	9.90	10.25	<b>MBL102</b>	BK105H	48.36	LDS13	5A	3/32	29/32	1 11/32	17/32	5.50
10.00	10.40	10.75	<b>MBL107</b>	BK110H	52.16	LDS13	5A	3/32	29/32	1 11/32	17/32	5.85
10.50	10.90	11.25	<b>MBL112</b>	BK115H	53.80	LDS13	5A	3/32	29/32	1 11/32	17/32	7.20
11.00	11.40	11.75	<b>MBL117</b>	BK120H	57.72	LDS13	5A	3/32	29/32	1 11/32	17/32	6.59
12.00	12.40	12.75	<b>MBL127</b>	BK130H	63.16	LDS13	5A	3/32	29/32	1 11/32	17/32	7.90
13.00	13.40	13.75	<b>MBL137</b>	BK140H	71.64	LDS13	5A	3/32	29/32	1 11/32	17/32	10.15
14.00	14.40	14.75	<b>MBL147</b>	BK150H	77.80	LDS13	5A	3/32	29/32	1 11/32	17/32	13.25
15.00	15.40	15.75	<b>MBL157</b>	BK160H	83.72	LDS13	5A	3/32	29/32	1 11/32	17/32	16.05
18.00	18.40	18.75	<b>MBL187</b>	BK190H	114.52	LDS13	5A	3/32	29/32	1 11/32	17/32	12.45

P.D. for "A" (4L) Belts = Datum.Dia. + 0.35" = O.D. - 0.40"

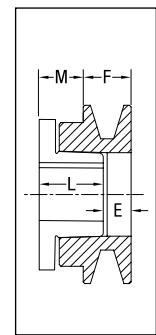
P.D. for "B" (5L) Belts = O.D.

\* Dimensions to closest fraction.

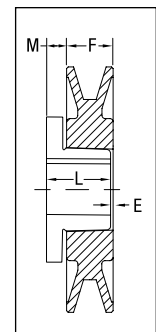
Legend: "E" and "M" dimensions may vary according to shaft tolerance.

With "L" bushing only reverse mounting is possible.

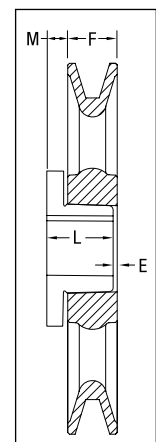
Type of sheave "T": A = arms; B = block; W = web



TYPE 1



TYPE 3



TYPE 5

### 2MBL (A-B V-BELTS)

This entire product series uses the "L" Bushing

### 2 GROOVES

D.D. "A" Belts	D.D. "B" Belts	O.D.	Part No.	Cross Ref.	List Price	Mult. Sym.	Type	Dimensions*				Approx. Wt. (lbs)
								E	F	L	M	
2.40	2.80	3.15	-	-	-	LDS13	-	-	-	-	-	-
2.60	3.00	3.35	<b>2MBL33</b>	2BK32H	39.56	LDS13	2B	1 3/8	1 3/4	1 11/32	31/32	2.35
2.80	3.20	3.55	<b>2MBL35</b>	2BK34H	39.84	LDS13	2B	1 3/8	1 3/4	1 11/32	31/32	2.55
3.00	3.40	3.75	<b>2MBL37</b>	2BK36H	40.64	LDS13	2B	1 3/8	1 3/4	1 11/32	31/32	3.00
3.20	3.60	3.95	<b>2MBL39</b>	2BK40H	41.04	LDS13	2B	15/16	1 3/4	1 11/32	17/32	2.80
3.50	3.90	4.25	<b>2MBL42</b>	2BK45H	42.08	LDS13	2B	15/16	1 3/4	1 11/32	17/32	3.25
3.70	4.10	4.45	<b>2MBL44</b>	2BK47H	46.36	LDS13	2B	15/16	1 3/4	1 11/32	17/32	3.35
4.00	4.40	4.75	<b>2MBL47</b>	2BK50H	47.24	LDS13	4W	3/32	1 3/4	1 11/32	5/16	3.85
4.20	4.60	4.95	<b>2MBL49</b>	2BK52H	48.44	LDS13	4W	3/32	1 3/4	1 11/32	5/16	4.00
4.50	4.90	5.25	<b>2MBL52</b>	2BK55H	52.44	LDS13	4W	3/32	1 3/4	1 11/32	5/16	4.40
4.70	5.10	5.45	<b>2MBL54</b>	2BK57H	53.32	LDS13	4W	3/32	1 3/4	1 11/32	5/16	4.95
5.00	5.40	5.75	<b>2MBL57</b>	2BK60H	54.52	LDS13	4W	3/32	1 3/4	1 11/32	5/16	5.30
5.20	5.60	5.95	<b>2MBL59</b>	2BK62H	55.24	LDS13	4W	3/32	1 3/4	1 11/32	5/16	5.80
5.50	5.90	6.25	<b>2MBL62</b>	2BK65H	59.56	LDS13	6A	1/16	1 3/4	1 11/32	11/32	5.40
5.70	6.10	6.45	<b>2MBL64</b>	2BK67H	60.60	LDS13	6A	1/16	1 3/4	1 11/32	11/32	5.85
6.00	6.40	6.75	<b>2MBL67</b>	2BK70H	62.24	LDS13	6A	1/16	1 3/4	1 11/32	11/32	5.55
6.20	6.60	6.95	<b>2MBL69</b>	-	64.60	LDS13	6A	1/16	1 3/4	1 11/32	11/32	6.65
7.00	7.40	7.75	<b>2MBL77</b>	2BK80H	72.28	LDS13	6A	1/16	1 3/4	1 11/32	11/32	6.85
8.00	8.40	8.75	<b>2MBL87</b>	2BK90H	73.64	LDS13	6A	1/16	1 3/4	1 11/32	11/32	9.65
9.00	9.40	9.75	<b>2MBL97</b>	2BK100H	85.48	LDS13	6A	1/16	1 3/4	1 11/32	11/32	9.20
10.00	10.40	10.75	<b>2MBL107</b>	2BK110H	92.60	LDS13	6A	1/16	1 3/4	1 11/32	11/32	12.80
11.00	11.40	11.75	<b>2MBL117</b>	2BK120H	105.76	LDS13	6A	1/16	1 3/4	1 11/32	11/32	14.65
12.00	12.40	12.75	<b>2MBL127</b>	2BK130H	113.64	LDS13	6A	1/16	1 3/4	1 11/32	11/32	14.15
13.00	13.40	13.75	<b>2MBL137</b>	2BK140H	128.60	LDS13	6A	1/16	1 3/4	1 11/32	11/32	14.95
15.00	15.40	15.75	<b>2MBL157</b>	2BK160H	134.92	LDS13	6A	1/16	1 3/4	1 11/32	11/32	18.70
18.00	18.40	18.75	<b>2MBL187</b>	2BK190H	151.40	LDS13	6A	1/16	1 3/4	1 11/32	11/32	24.20

P.D. for "A" Belts = Datum.Dia. + 0.35" = O.D. - 0.40"

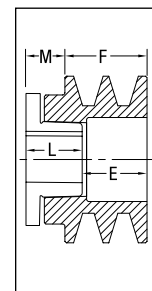
P.D. for "B" Belts = O.D.

\* Dimensions to closest fraction

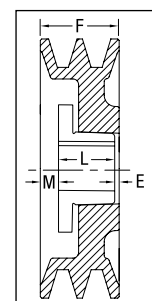
Legend: "E" and "M" dimensions may vary according to shaft tolerance.

With "L" bushing only reverse mounting is possible.

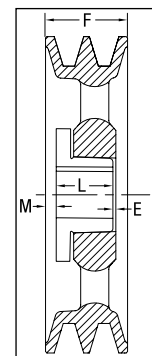
Type of sheave "T": A = arms; B = block; W = web



TYPE 2



TYPE 4



TYPE 6



## Fractional Horsepower Series (F.H.P.): MFAL (Fixed bore A & 4L V-belt series)



**Features:** Stock items include one set screw with standard keyseat.

**Note:** DO NOT use these gray cast iron sheaves with rim speeds in excess of 6500 feet per minute.

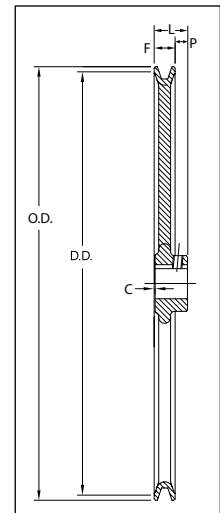
**How to order: Example: MFAL104X3/4;** M = Maska light duty family  
FAL = Fractional horsepower series. 104 = Outside diameter (10") (Refer to the dimensions table for exact value). X 3/4 = Bore size (3/4").

### Dimensions

Part No.	List Price	Mult. Sym.	Diameter		Stock Bores				Dimensions				Approx. Wt. (lbs)
			Outside	D.D. A (4L)	5/8"	3/4"	7/8"	1"	F	L	P	C	
MFAL54	14.88	LDS19	4.93	4.78	X	X	X	X	19/32	1 1/16	15/32	-	1.1
MFAL64	15.56	LDS19	5.93	5.78	X	X	X	X	19/32	1 1/16	15/32	-	1.5
MFAL74	17.76	LDS19	6.93	6.78	X	X	X	X	19/32	1 1/16	15/32	-	1.75
MFAL84	20.24	LDS19	7.93	7.78	X	X	X	X	19/32	1 1/16	15/32	-	2.2
MFAL94	25.56	LDS19	8.93	8.78	-	X	X	X	19/32	1 1/16	15/32	-	3.0
MFAL104	28.20	LDS19	9.93	9.78	-	X	X	X	19/32	1 1/16	15/32	-	2.7
MFAL114	31.20	LDS19	10.93	10.78	-	X	X	X	19/32	1 1/16	15/32	-	3.1
MFAL124	37.40	LDS19	11.93	11.78	-	X	X	X	19/32	1 1/16	15/32	-	3.5
MFAM144	61.20	LDS19	14.16	14.00	-	-	-	X	11/16	1 3/32	13/32	1/32	5.2

Pitch Dia. for "A" (4L) belts = Datum Dia. +.26" = O.D. +.11"

Bore Range	Keyseat
1/2"	None
5/8" - 7/8"	3/16" X 3/32"
15/16" - 1 1/4"	1/4" X 1/8"



## Adjustable Pitch Light Duty (HVAC) MVL



**Features:** Designed for applications up to 5HP. Bore range 1/2" to 7/8". Designed to be used with the MFAL Series.

**Note:** DO NOT use these gray cast iron sheaves with rim speeds in excess of 6500 feet per minute.

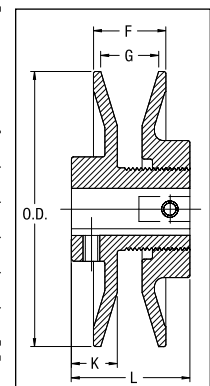
**How to order: Example: MVL30X5/8;**  
MVL: Adjustable pitch sheave series. 30: Approximate outside diameter 2.87".  
X 5/8: Bore size (5/8)". Inch bore sizes are designated with the whole inch followed by the fraction. For example, a 1.5" diameter bore would be 1-1/2".

### Dimensions

Part No.	List Price	Mult. Sym.	O.D.	Dimensions						Stock Bores Marked "X"				Approx. Wt. (Lbs)
				F		G		L	K	1/2	5/8	3/4	7/8	
				Max.	Min.	Max.	Min.							
MVL25	11.70	VPS16	2.50	27/32	19/32	5/8	3/8	1 1/2	37/64	X	X	-	-	0.8
MVL30	12.20	VPS16	2.87	27/32	19/32	5/8	3/8	1 1/2	37/64	X	X	-	-	1.0
MVL34	12.20	VPS16	3.15	1 5/64	23/32	7/8	1/2	1 11/16	37/64	X	X	X	-	1.1
MVL40	15.00	VPS16	3.75	1 3/32	45/64	7/8	1/2	1 11/16	37/64	X	X	X	X	1.5
MVL44	19.00	VPS16	4.15	1 3/32	45/64	7/8	1/2	1 11/16	37/64	X	X	X	X	1.75
1VM50	30.00	VPS16	4.75	1 1/16	11/16	7/8	1/2	1 7/8	21/32	X	X	X	X	2.8

Pitch Dia. for "A" (4L) belts = Datum Dia. +.26" = O.D. +.11"

Bore Range	Keyseat
1/2"	None
5/8" - 7/8"	3/16" X 3/32"



### 8000 SERIES



**Features:** Stock Sizes - 1 and 2 grooves up to 25 HP. Both 1 and 2 groove adjustable sheaves permit variations of as much as 30% in speed when used with a fixed diameter sheave. Available in metric bores. Larger sizes come with 2 set screws. Other special bores are available, call for delivery terms.

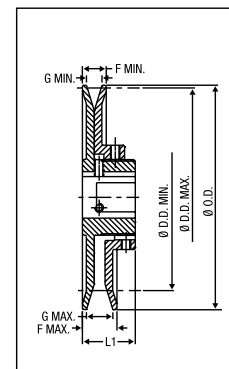
**Note:** DO NOT use these gray cast iron sheaves with rim speeds in excess of 6500 feet per minute.

**How to order: Example: 8600X1-3/8;** 8600: Adjustable pitch sheave size. The first digit stands for 8000 series. Last three digits represent the approximate outside diameter (6.00). X 1-3/8: Bore size (1-3/8"). Metric bore sizes are designated with "MM" after the metric dimension (X 25MM). Inch bore sizes are designated with the whole inch followed by the fraction. For example, a 1.5" diameter bore would be 1-1/2.

### 1 GROOVE

#### Dimensions

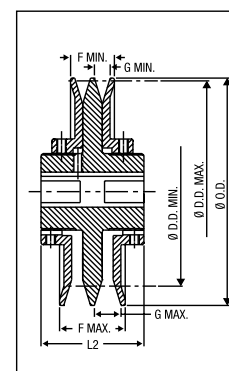
Part No.	List Price	Mult. Sym.	O.D.	L1	F		G		Available Stock Bores	Approx. Wt. (lbs)
					Max.	Min.	Max.	Min.		
8325	33.80	VPS12	3.25	1 3/4	1 1/32	21/32	3/4	3/8	*1/2 · 5/8 · 3/4 · 7/8 · 1 · 1 1/8 9mm · 14mm · 19mm	2.0
8350	41.60	VPS12	3.75	1 3/4	1 5/32	25/32	7/8	1/2	*1/2 · 5/8 · 3/4 · 7/8 · 1 · 1 1/8 9mm · 14mm · 19mm · 24mm · 28mm	2.0
8400	42.70	VPS12	4.15	1 3/4	1 5/32	25/32	7/8	1/2	*1/2 · 5/8 · 3/4 · 7/8 · 1 · 1 1/8 12.7mm · 14mm · 19mm · 24mm · 28mm	2.5
8450 <sup>1</sup>	43.20	VPS12	4.75	1 3/4	1 5/32	25/32	7/8	1/2	*1/2 · 5/8 · 3/4 · 7/8 · 1 · 1 1/8 12.7mm · 14mm · 19mm · 24mm · 28mm	3.1
8550 <sup>2</sup>	67.80	VPS12	5.35	1 3/4	1 9/32	25/32	1	1/2	*1/2 · 5/8 · 3/4 · 7/8 · 1 · 1 1/8 · 1 3/8 · 1 5/8 12.7mm · 14mm · 19mm · 24mm · 28mm · 38mm	4.5
8600 <sup>2</sup>	105.40	VPS12	6.00	1 3/4	1 9/32	25/32	1	1/2	5/8 · 3/4 · 7/8 · 1 · 1 1/8 · 1 3/8 · 1 5/8 12.7mm · 19mm · 24mm · 28mm · 38mm · 42mm	5.0
8670 <sup>2</sup>	106.80	VPS12	6.70	1 3/4	1 9/32	25/32	1	1/2	5/8 · 3/4 · 7/8 · 1 · 1 1/8 · 1 3/8 · 1 5/8 12.7mm · 19mm · 24mm · 28mm · 38mm · 42mm	6.0
8740 <sup>2</sup>	153.40	VPS12	7.40	1 3/4	1 9/32	25/32	1	1/2	3/4 · 7/8 · 1 · 1 1/8 · 1 3/8 · 1 5/8 24mm · 28mm · 38mm · 42mm	7.0



### 2 GROOVES

#### Dimensions

Part No.	List Price	Mult. Sym.	O.D.	L2	F		G		Available Stock Bores	Approx. Wt. (lbs)
					Max.	Min.	Max.	Min.		
D8325	81.00	VPS12	3.25	3 1/4	1 15/16	1 3/16	3/4	3/8	5/8 · 3/4 · 7/8 · 1 · 1 1/8 24mm · 28mm	3.5
D8350	93.20	VPS12	3.75	3 3/8	2 3/16	1 7/16	7/8	1/2	5/8 · 3/4 · 7/8 · 1 · 1 1/8 28mm	4.2
D8400	100.30	VPS12	4.15	3 3/8	2 3/16	1 7/16	7/8	1/2	5/8 · 3/4 · 7/8 · 1 · 1 1/8 24mm · 28mm	4.8
D8450 <sup>1</sup>	105.80	VPS12	4.75	3 3/8	2 3/16	1 7/16	7/8	1/2	5/8 · 3/4 · 7/8 · 1 · 1 1/8 12.7mm · 24mm · 28mm	6.0
D8550 <sup>2</sup>	123.60	VPS12	5.35	3 3/8	2 7/16	1 7/16	1	1/2	3/4 · 7/8 · 1 · 1 1/8 · 1 3/8 · 1 5/8 12.7mm · 19mm · 24mm · 28mm · 38mm	9.0
D8600 <sup>2</sup>	167.20	VPS12	6.00	3 3/8	2 7/16	1 7/16	1	1/2	3/4 · 7/8 · 1 · 1 1/8 · 1 3/8 · 1 5/8 12.7mm · 24mm · 28mm · 38mm · 42mm	10.8
D8670 <sup>2</sup>	176.80	VPS12	6.70	3 3/8	2 7/16	1 7/16	1	1/2	3/4 · 7/8 · 1 · 1 1/8 · 1 3/8 · 1 5/8 12.7mm · 24mm · 28mm · 38mm · 42mm	12.8
D8740 <sup>2</sup>	272.60	VPS12	7.40	3 3/8	2 7/16	1 7/16	1	1/2	3/4 · 7/8 · 1 · 1 1/8 · 1 3/8 · 1 5/8 24mm · 28mm · 38mm · 42mm	14.8



\* Supplied without keyway

<sup>1</sup> Comes with two set screws at 120 degrees

<sup>2</sup> Comes with two set screws at 120 degrees and an "H" Key

U.S. Patent N° 450 4249 - Can. Patent N° 1160478

## VP SERIES

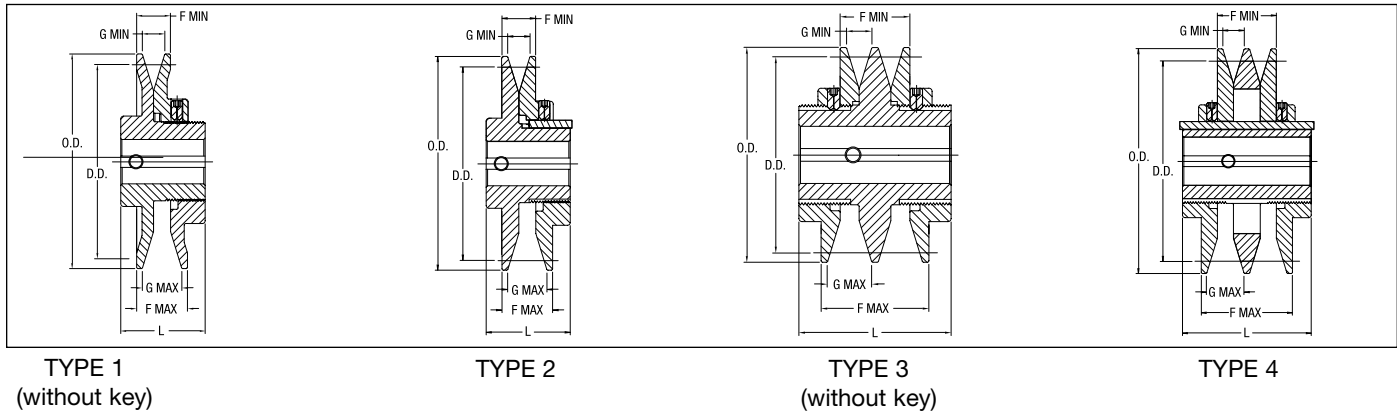


**Features:** Maska 1VP and 2VP Series are finished bore variable speed sheaves made of cast iron and designed for heavier duty service up to 25HP. Available in single and double grooves, they offer a pitch range from 1.9" to 6.7" (A belt) and 2.4" to 7.0" (B belt). Type 2 model has positive locked-on settings.

**Note:** DO NOT use these gray cast iron sheaves with rim speeds in excess of 6500 feet per minute.

**How to order: Example: 1VP71X3/4;** 1: Number of grooves. VP71: Adjustable pitch sheave size. Last 2 digits represent the approximate outside diameter (7.1"). X 3/4: Bore size (3/4"). Inch bore sizes are designated with the whole inch followed by the fraction. For example, a 1.5" diameter bore would be 1-1/2.

## 1VP & 2VP SERIES



### Dimensions

Part No.	List Price	Mult. Sym.	Type	O.D.	L	F		G		Available Stock Bores	Approx. Wt. (lbs)
						Max.	Min.	Max.	Min.		
1VP25	36.96	VPS30	1	2.50	1 1/2	13/16	9/16	5/8	3/8	*1/2	7
1VP30	37.52	VPS30	1	2.87	1 21/32	13/16	9/16	5/8	3/8	*1/2 · 5/8 · 3/4	1.1
1VP34	47.20	VPS30	1	3.15	1 7/8	1	11/16	13/16	1/2	*1/2 · 5/8 · 3/4 · 7/8	1.4
1VP40	47.80	VPS30	1	3.75	1 7/8	1 1/16	11/16	7/8	1/2	*1/2 · 5/8 · 3/4 · 7/8	1.9
1VP44	51.60	VPS30	1	4.15	1 7/8	1 1/16	11/16	7/8	1/2	*1/2 · 5/8 · 3/4	2.4
1VP44	71.60	VPS30	2	4.15	1 7/8	1 1/8	3/4	7/8	1/2	7/8 · 1 · 1 1/8	2.9
1VP50	60.80	VPS30	1	4.75	2	1 1/16	11/16	7/8	1/2	*1/2 · 5/8 · 3/4	2.9
1VP50	87.00	VPS30	2	4.75	1 7/8	1 1/8	3/4	7/8	1/2	7/8 · 1 · 1 1/8	3.6
1VP56	90.80	VPS30	1	5.35	1 7/8	1 1/16	11/16	7/8	1/2	*1/2 · 5/8 · 3/4	3.8
1VP56	117.20	VPS30	2	5.35	1 7/8	1 1/8	3/4	7/8	1/2	7/8 · 1 · 1 1/8	4.4
1VP60	142.00	VPS30	2	6.00	1 21/32	1 1/4	7/8	1 1/32	21/32	3/4 · 7/8 · 1 1/8 · 1 3/8	6.5
1VP62	143.30	VPS30	2	5.95	1 29/32	1 1/8	3/4	7/8	1/2	5/8 · 3/4 · 7/8 · 1 · 1 1/8 · 1 1/4 · 1 3/8	6.1
1VP65	148.60	VPS30	2	6.50	1 21/32	1 1/4	7/8	1 1/32	21/32	3/4 · 7/8 · 1 1/8 · 1 3/8	6.8
1VP68	149.20	VPS30	2	6.55	1 29/32	1 1/8	3/4	7/8	1/2	5/8 · 3/4 · 7/8 · 1 · 1 1/8 · 1 1/4 · 1 3/8	7.3
1VP71	158.40	VPS30	2	7.10	1 21/32	1 1/4	7/8	1 1/32	21/32	3/4 · 7/8 · 1 1/8 · 1 3/8	8.2
1VP75	211.40	VPS30	2	7.50	1 21/32	1 1/4	7/8	1 1/32	21/32	3/4 · 7/8 · 1 1/8 · 1 3/8	9.2
2VP36	113.60	VPS30	3	3.35	3	2	1 3/8	13/16	1/2	*1/2 · 5/8 · 3/4 · 7/8 · 1	3.4
2VP42	130.20	VPS30	3	3.95	3	2 1/8	1 3/8	7/8	1/2	5/8 · 3/4 · 7/8 · 1 · 1 1/8	4.4
2VP50	150.00	VPS30	4	4.75	3	2 1/8	1 3/8	7/8	1/2	5/8 · 3/4 · 7/8 · 1 · 1 1/8	6.3
2VP56	176.60	VPS30	4	5.35	3	2 1/8	1 3/8	7/8	1/2	5/8 · 3/4 · 7/8 · 1 · 1 1/8	7.8
2VP60	225.60	VPS30	4	6.00	3 1/4	2 3/8	1 5/8	1 1/32	21/32	3/4 · 7/8 · 1 1/8 · 1 3/8 · 1 5/8	10.6
2VP62	225.80	VPS30	4	5.95	3	2 1/8	1 3/8	7/8	1/2	3/4 · 7/8 · 1 · 1 1/8 · 1 1/4 · 1 3/8	10.0
2VP65	242.00	VPS30	4	6.50	3 1/4	2 3/8	1 5/8	1 1/32	21/32	3/4 · 7/8 · 1 1/8 · 1 3/8 · 1 5/8	12.3
2VP68	249.80	VPS30	4	6.55	3	2 1/8	1 3/8	7/8	1/2	7/8 · 1 · 1 1/8 · 1 1/4 · 1 3/8 · 1 5/8	11.7
2VP71	256.00	VPS30	4	7.10	3 1/4	2 3/8	1 5/8	1 1/32	21/32	3/4 · 7/8 · 1 1/8 · 1 3/8 · 1 5/8	14.6
2VP75	379.20	VPS30	4	7.50	3 1/4	2 3/8	1 5/8	1 1/32	21/32	3/4 · 7/8 · 1 1/8 · 1 3/8 · 1 5/8	16.5

Pitch Dia. for "A" (4L) belts = Datum Dia. +.26" = O.D. +.11"

\* Supplied without keyway



### MVS



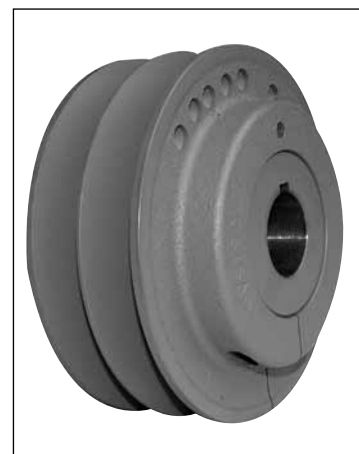
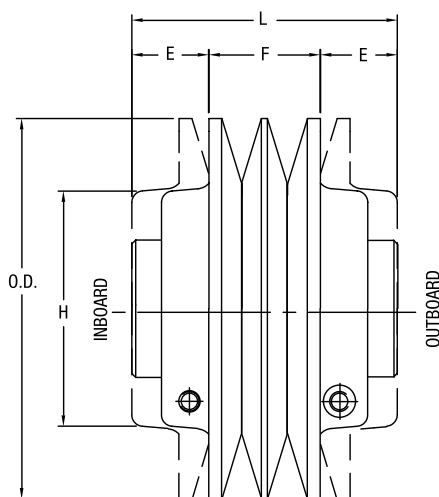
**Features:** Designed for up to 40 HP @ 1750 RPM. Used with A, B, 3V & 5V belts

**Note:** DO NOT use these gray cast iron sheaves with rim speeds in excess of 6500 feet per minute.

**How to order: Example: MVS150X1-3/8;** MVS150: Adjustable pitch sheave size. Last three digits represent the outside diameter in MM. 150 MM = 5.905". X 1-3/8: Bore size (1-3/8"). Inch bore sizes are designated with the whole inch followed by the fraction. For example, a 1.5" diameter bore would be 1-1/2.

### Dimensions

Part No.	List Price	Mult. Sym.	O.D.	Dimensions						Stock Bores Marked "X"					Approx. Wt. (lbs)
				F		E		L	H	1 1/8	1 3/8	1 5/8	1 7/8	2 1/8	
				Min.	Max.	Min.	Max.								
MVS130	228.00	VPS17	5.118	1.73	2.27	0.75	1.02	3.77	3.15	X	X	-	-	-	8.5
MVS150	250.00	VPS17	5.905	1.73	2.59	0.77	1.20	4.13	3.62	X	X	X	-	-	12.1
MVS170	272.00	VPS17	6.692	1.73	2.59	0.77	1.20	4.13	3.62	X	X	X	-	-	14.8
MVS190	294.00	VPS17	7.480	1.73	2.59	0.77	1.20	4.13	5.12	-	X	X	X	-	23.2
MVS210	316.00	VPS17	8.268	1.73	2.59	0.77	1.20	4.13	5.12	-	X	X	X	X	27.0
MVS230	338.00	VPS17	9.055	1.73	2.59	0.77	1.20	4.13	5.12	-	X	X	X	X	30.40



### Pulley Adjustment

Modify the sheave pitch diameter by using the adjustment screw. Every turn of the adjustment screw moves the flanges by 1/16". Once the required diameter is obtained, tighten the locking screw.

## Classical A/B Combination, C & D



**Features:** Complete line in stock, including larger models. Designed for use with QD bushing & corresponding belts. A/B models from 1-6; 8; 10 grooves. C model from 1-6; 8; 10; 12 grooves. D model from 3-6; 8; 10; 12 grooves.

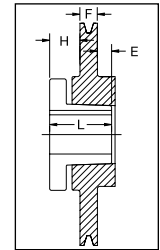
**Note:** DO NOT use these gray cast iron sheaves with rim speeds in excess of 6500 feet per minute.

**How to order: Example: 6B70;** 6=Number of grooves. B = "A/B" Combination sheave section. 70 = Datum diameter for "B" belts (7.0")

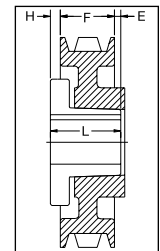
## "A/B" COMBINATION 1 GROOVE

### Dimensions

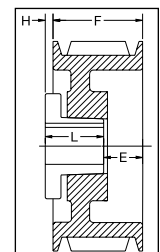
Datum dia.		O.D.	Part No.	List Price	Mult. Sym.	F = 7/8 up to 7.15 O.D. & 1 inch thereafter					Approx. Wt. (lbs)
A(4L) Belts	B(5L) Belts					H	Type	B	L	E	
3.0	3.4	3.75	<b>1B34</b> <sup>1</sup>	26.00	QDS05	5/8	11B	SH	1 1/4	1/4	1
3.2	3.6	3.95	<b>1B36</b>	27.00	QDS05	1/2	6B	SH	1 1/4	1/8	1
3.4	3.8	4.15	<b>1B38</b>	28.00	QDS05	1/2	6B	SH	1 1/4	1/8	2
3.6	4.0	4.35	<b>1B40</b>	29.00	QDS05	1/2	6B	SH	1 1/4	1/8	2
3.8	4.2	4.55	<b>1B42</b>	30.00	QDS05	1/2	6B	SH	1 1/4	1/8	2
4.0	4.4	4.75	<b>1B44</b>	31.00	QDS05	1/2	6B	SH	1 1/4	1/8	2
4.2	4.6	4.95	<b>1B46</b>	32.00	QDS05	7/16	7B	SDS	1 5/16	0	2
4.4	4.8	5.15	<b>1B48</b>	33.00	QDS05	7/16	7B	SDS	1 5/16	0	3
4.6	5.0	5.35	<b>1B50</b>	34.00	QDS05	7/16	7B	SDS	1 5/16	0	3
4.8	5.2	5.55	<b>1B52</b>	35.00	QDS05	7/16	7B	SDS	1 5/16	0	3
5.0	5.4	5.75	<b>1B54</b>	36.00	QDS05	7/16	7B	SDS	1 5/16	0	4
5.2	5.6	5.95	<b>1B56</b>	37.00	QDS05	7/16	7B	SDS	1 5/16	0	4
5.4	5.8	6.15	<b>1B58</b>	38.00	QDS05	7/16	7B	SDS	1 5/16	0	4
5.6	6.0	6.35	<b>1B60</b>	40.00	QDS05	7/16	7B	SDS	1 5/16	0	5
5.8	6.2	6.55	<b>1B62</b>	42.00	QDS05	7/16	7B	SDS	1 5/16	0	5
6.0	6.4	6.75	<b>1B64</b>	44.00	QDS05	7/16	7B	SDS	1 5/16	0	6
6.2	6.6	6.95	<b>1B66</b>	48.00	QDS05	7/16	7B	SDS	1 5/16	0	6
6.4	6.8	7.15	<b>1B68</b>	50.00	QDS05	7/16	7B	SDS	1 5/16	0	6
6.6	7.0	7.35	<b>1B70</b>	52.00	QDS05	9/16	6A	SDS	1 5/16	1/4	6
7.0	7.4	7.75	<b>1B74</b>	56.00	QDS05	9/16	6A	SDS	1 5/16	1/4	6
7.6	8.0	8.35	<b>1B80</b>	58.00	QDS05	9/16	6A	SDS	1 5/16	1/4	7
8.2	8.6	8.95	<b>1B86</b>	62.00	QDS05	9/16	6A	SDS	1 5/16	1/4	8
8.6	9.0	9.35	<b>1B90</b>	63.00	QDS05	9/16	6A	SDS	1 5/16	1/4	9
9.0	9.4	9.75	<b>1B94</b>	64.00	QDS05	9/16	6A	SDS	1 5/16	1/4	9
10.6	11.0	11.35	<b>1B110</b>	76.00	QDS05	9/16	6A	SDS	1 5/16	1/4	11
12.0	12.4	12.75	<b>1B124</b>	90.00	QDS05	9/16	6A	SDS	1 5/16	1/4	12
13.2	13.6	13.95	<b>1B136</b>	96.00	QDS05	9/16	6A	SDS	1 5/16	1/4	13
15.0	15.4	15.75	<b>1B154</b>	116.00	QDS05	11/16	5A	SK	1 7/8	3/16	20
15.6	16.0	16.35	<b>1B160</b>	136.00	QDS05	7/8	3A	SK	1 7/8	0	22
18.0	18.4	18.75	<b>1B184</b>	156.00	QDS05	15/16	10A	SK	1 7/8	1/16	28
19.6	20.0	20.35	<b>1B200</b>	230.00	QDS05	13/16	5A	SK	1 7/8	1/16	30
24.6	25.0	25.35	<b>1B250</b>	350.00	QDS05	15/16	10A	SK	1 7/8	1/16	40



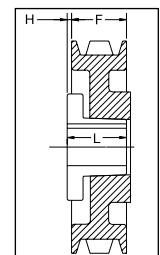
TYPE 3



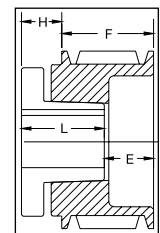
TYPE 5



TYPE 6



TYPE 7



TYPE 10

P.D. for "A" (4L) Belts = Datum Dia. + .35" = O.D. - .40 P.D. for "B" (5L) Belts = O.D. <sup>1</sup> Reverse mount only.

Type of sheave "T": A = arms; B = block; W = web

For more details and additional products, see complete Baldor•Maska® Product Catalog or [www.maskapulleys.com](http://www.maskapulleys.com)

### “A/B” COMBINATION

### 2 GROOVES

#### Dimensions

Datum dia.		O.D.	Part No.	List Price	Mult. Sym.	F = 1 3/4 inches					
A(4L) Belts	B(5L) Belts					H	Type	B	L	E	Approx. Wt. (lbs)
3.0	3.4	3.75	<b>2B34<sup>1*</sup></b>	38.00	QDS05	5/8	11B	SH	1 1/4	1 1/8	2
3.2	3.6	3.95	<b>2B36<sup>2</sup></b>	40.00	QDS05	15/32	6B	SH	1 1/4	31/32	3
3.4	3.8	4.15	<b>2B38<sup>2</sup></b>	42.00	QDS05	15/32	6B	SH	1 1/4	31/32	3
3.6	4.0	4.35	<b>2B40<sup>2</sup></b>	44.00	QDS05	15/32	6B	SH	1 1/4	31/32	3
3.8	4.2	4.55	<b>2B42<sup>*</sup></b>	46.00	QDS05	1/16	1B	SH	1 1/4	7/16	3
4.0	4.4	4.75	<b>2B44</b>	48.00	QDS05	1/16	1B	SH	1 1/4	7/16	4
4.2	4.6	4.95	<b>2B46<sup>*</sup></b>	50.00	QDS05	0	4B	SDS	1 5/16	7/16	4
4.4	4.8	5.15	<b>2B48</b>	52.00	QDS05	0	4B	SDS	1 5/16	7/16	4
4.6	5.0	5.35	<b>2B50</b>	54.00	QDS05	0	4B	SDS	1 5/16	7/16	5
4.8	5.2	5.55	<b>2B52</b>	56.00	QDS05	0	4B	SDS	1 5/16	7/16	5
5.0	5.4	5.75	<b>2B54</b>	58.00	QDS05	0	4B	SDS	1 5/16	7/16	6
5.2	5.6	5.95	<b>2B56</b>	60.00	QDS05	0	4B	SDS	1 5/16	7/16	6
5.4	5.8	6.15	<b>2B58</b>	62.00	QDS05	0	4W	SDS	1 5/16	7/16	6
5.6	6.0	6.35	<b>2B60</b>	64.00	QDS05	0	4W	SDS	1 5/16	7/16	6
5.8	6.2	6.55	<b>2B62</b>	66.00	QDS05	0	4W	SDS	1 5/16	7/16	7
6.0	6.4	6.75	<b>2B64</b>	68.00	QDS05	0	4W	SDS	1 5/16	7/16	7
6.2	6.6	6.95	<b>2B66</b>	69.00	QDS05	0	4W	SDS	1 5/16	7/16	8
6.4	6.8	7.15	<b>2B68</b>	71.00	QDS05	0	4W	SDS	1 5/16	7/16	8
6.6	7.0	7.35	<b>2B70</b>	72.00	QDS05	3/8	6W	SK	1 7/8	1/4	9
7.0	7.4	7.75	<b>2B74</b>	73.00	QDS05	3/8	6W	SK	1 7/8	1/4	10
7.6	8.0	8.35	<b>2B80</b>	74.00	QDS05	3/8	6W	SK	1 7/8	1/4	11
8.2	8.6	8.95	<b>2B86</b>	76.00	QDS05	3/8	6A	SK	1 7/8	1/4	12
8.6	9.0	9.35	<b>2B90</b>	77.00	QDS05	3/8	6A	SK	1 7/8	1/4	12
9.0	9.4	9.75	<b>2B94</b>	78.00	QDS05	3/8	6A	SK	1 7/8	1/4	13
10.6	11.0	11.35	<b>2B110</b>	92.00	QDS05	3/8	6A	SK	1 7/8	1/4	15
12.0	12.4	12.75	<b>2B124</b>	100.00	QDS05	9/16	6A	SK	1 7/8	7/16	18
13.2	13.6	13.95	<b>2B136</b>	120.00	QDS05	3/8	6A	SK	1 7/8	1/4	24
15.0	15.4	15.75	<b>2B154</b>	168.00	QDS05	3/8	6A	SK	1 7/8	1/4	25
15.6	16.0	16.35	<b>2B160</b>	178.00	QDS05	3/8	6A	SK	1 7/8	1/4	27.4
18.0	18.4	18.75	<b>2B184</b>	224.00	QDS05	3/8	6A	SK	1 7/8	1/4	38
19.6	20.0	20.35	<b>2B200</b>	260.00	QDS05	11/16	6A	SF	2	7/16	47
24.6	25.0	25.35	<b>2B250</b>	396.00	QDS05	3/8	6A	SF	2	1/8	60
29.6	30.0	30.35	<b>2B300</b>	440.00	QDS05	7/16	6A	SF	2	3/16	75
37.6	38.0	38.35	<b>2B380</b>	840.00	QDS05	11/32	6A	SF	2	3/32	100

P.D. for “A” (4L) Belts = Datum Dia. + .35” = O.D. - .40

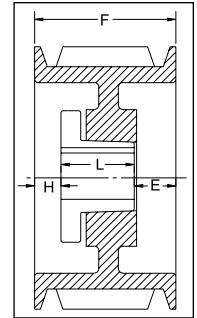
P.D. for “B” (5L) Belts = O.D.

<sup>1</sup> Reverse mount only.

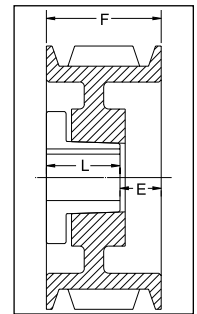
<sup>2</sup> This sheave can only be reverse mounted with standard bushing bolts. Specials bolts (not provided by Baldor) are required for standard mount.

\* Mounting bolts are supplied by Baldor with these parts.

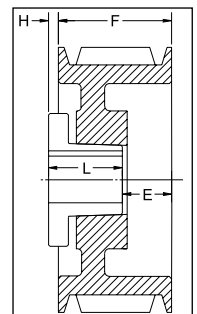
Type of sheave “T”: A = arms; B = block; W = web



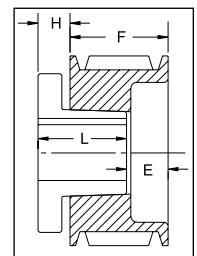
TYPE 1



TYPE 4



TYPE 6

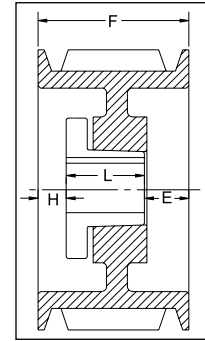


TYPE 11

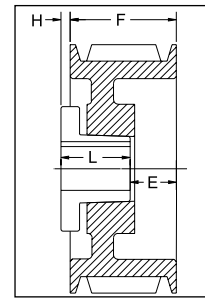
### "A/B" COMBINATION 3 GROOVES

#### Dimensions

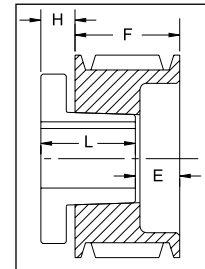
Datum dia.		O.D.	Part No.	List Price	Mult. Sym.	F = 2 1/2 inches					Approx. Wt. (lbs)
"A" Belts	"B" Belts					H	Type	B	L	E	
3.0	3.4	3.75	<b>3B34<sup>1*</sup></b>	44.00	QDS05	5/8	11B	SH	1 1/4	1 7/8	3
3.2	3.6	3.95	<b>3B36<sup>1</sup></b>	46.00	QDS05	1/2	6B	SH	1 1/4	1 3/4	4
3.4	3.8	4.15	<b>3B38<sup>1</sup></b>	48.00	QDS05	1/2	6B	SH	1 1/4	1 3/4	4
3.6	4.0	4.35	<b>3B40<sup>1</sup></b>	50.00	QDS05	5/8	11B	SH	1 1/4	1 7/8	4
3.8	4.2	4.55	<b>3B42<sup>*</sup></b>	52.00	QDS05	7/16	1B	SH	1 1/4	13/16	4
4.0	4.4	4.75	<b>3B44</b>	54.00	QDS05	7/16	1B	SH	1 1/4	13/16	5
4.2	4.6	4.95	<b>3B46<sup>*</sup></b>	56.00	QDS05	3/8	1B	SD	1 13/16	5/16	5
4.4	4.8	5.15	<b>3B48</b>	58.00	QDS05	3/8	1B	SD	1 13/16	5/16	6
4.6	5.0	5.35	<b>3B50</b>	60.00	QDS05	3/8	1B	SD	1 13/16	5/16	7
4.8	5.2	5.55	<b>3B52</b>	62.00	QDS05	3/8	1B	SD	1 13/16	5/16	7
5.0	5.4	5.75	<b>3B54</b>	64.00	QDS05	3/8	1B	SD	1 13/16	5/16	8
5.2	5.6	5.95	<b>3B56</b>	66.00	QDS05	3/8	1B	SD	1 13/16	5/16	9
5.4	5.8	6.15	<b>3B58</b>	68.00	QDS05	3/8	1W	SD	1 13/16	5/16	9
5.6	6.0	6.35	<b>3B60</b>	70.00	QDS05	3/8	1W	SD	1 13/16	5/16	10
5.8	6.2	6.55	<b>3B62</b>	72.00	QDS05	3/8	1W	SD	1 13/16	5/16	10
6.0	6.4	6.75	<b>3B64</b>	76.00	QDS05	3/8	1W	SD	1 13/16	5/16	10
6.2	6.6	6.95	<b>3B66</b>	78.00	QDS05	3/8	1W	SD	1 13/16	5/16	10
6.4	6.8	7.15	<b>3B68</b>	80.00	QDS05	3/8	1W	SD	1 13/16	5/16	11
6.6	7.0	7.35	<b>3B70</b>	82.00	QDS05	1/8	6W	SK	1 7/8	3/4	12
7.0	7.4	7.75	<b>3B74</b>	84.00	QDS05	1/8	6W	SK	1 7/8	3/4	12
7.6	8.0	8.35	<b>3B80</b>	88.00	QDS05	1/8	6W	SK	1 7/8	3/4	13
8.2	8.6	8.95	<b>3B86</b>	96.00	QDS05	1/8	6A	SK	1 7/8	3/4	14
8.6	9.0	9.35	<b>3B90</b>	100.00	QDS05	1/8	6A	SK	1 7/8	3/4	15
9.0	9.4	9.75	<b>3B94</b>	104.00	QDS05	1/8	6A	SK	1 7/8	3/4	17
10.6	11.0	11.35	<b>3B110</b>	124.00	QDS05	1/8	6A	SK	1 7/8	3/4	21
12.0	12.4	12.75	<b>3B124</b>	144.00	QDS05	1/8	6A	SK	1 7/8	3/4	25
13.2	13.6	13.95	<b>3B136</b>	156.00	QDS05	1/8	6A	SK	1 7/8	3/4	28
15.0	15.4	15.75	<b>3B154</b>	200.00	QDS05	1/8	6A	SK	1 7/8	3/4	30
15.6	16.0	16.35	<b>3B160</b>	212.00	QDS05	1/8	6A	SK	1 7/8	3/4	32
18.0	18.4	18.75	<b>3B184</b>	244.00	QDS05	1/8	6A	SK	1 7/8	3/4	41
19.6	20.0	20.35	<b>3B200</b>	324.00	QDS05	3/16	6A	SF	2	11/16	55.6
24.6	25.0	25.35	<b>3B250</b>	440.00	QDS05	3/16	6A	SF	2	11/16	76.1
29.6	30.0	30.35	<b>3B300</b>	500.00	QDS05	3/16	6A	SF	2	11/16	96
37.6	38.0	38.35	<b>3B380</b>	880.00	QDS07	3/8	6A	E	2 5/8	1/4	145



TYPE 1



TYPE 6



TYPE 11

P.D. for "A" (4L) Belts = Datum Dia. + .35" = O.D. - .40

P.D. for "B" (5L) Belts = O.D.

<sup>1</sup> Reverse mount only.

\* Mounting bolts are supplied by Baldor with these parts.

Type of sheave "T": A = arms; B = block; W = web

### "A/B" COMBINATION

### 4 GROOVES

#### Dimensions

Datum dia.		O.D.	Part No.	List Price	Mult. Sym.	F = 3 1/4 inches					
"A" Belts	"B" Belts					H	Type	B	L	E	Approx. Wt. (lbs)
3.0	3.4	3.75	<b>4B34<sup>1*</sup></b>	64.00	QDS05	1	10B	SD	1 13/16	2 7/16	4
3.2	3.6	3.95	<b>4B36<sup>1*</sup></b>	66.00	QDS05	1	10B	SD	1 13/16	2 7/16	5
3.4	3.8	4.15	<b>4B38<sup>1*</sup></b>	68.00	QDS05	1	10B	SD	1 13/16	2 7/16	6
3.6	4.0	4.35	<b>4B40<sup>1*</sup></b>	70.00	QDS05	11/16	11B	SD	1 13/16	2 1/8	5
3.8	4.2	4.55	<b>4B42<sup>1*</sup></b>	72.00	QDS05	11/16	11B	SD	1 13/16	2 1/8	6
4.0	4.4	4.75	<b>4B44*</b>	74.00	QDS05	11/16	11B	SD	1 13/16	2 1/8	6
4.2	4.6	4.95	<b>4B46*</b>	76.00	QDS05	5/8	1B	SD	1 13/16	13/16	7
4.4	4.8	5.15	<b>4B48</b>	78.00	QDS05	5/8	1B	SD	1 13/16	13/16	8
4.6	5.0	5.35	<b>4B50</b>	80.00	QDS05	5/8	1B	SD	1 13/16	13/16	8
4.8	5.2	5.55	<b>4B52</b>	82.00	QDS05	5/8	1B	SD	1 13/16	13/16	9
5.0	5.4	5.75	<b>4B54</b>	84.00	QDS05	5/8	1B	SD	1 13/16	13/16	10
5.2	5.6	5.95	<b>4B56</b>	86.00	QDS05	5/8	1B	SD	1 13/16	13/16	10
5.4	5.8	6.15	<b>4B58</b>	88.00	QDS05	5/8	1W	SD	1 13/16	13/16	11
5.6	6.0	6.35	<b>4B60</b>	90.00	QDS05	5/8	1W	SD	1 13/16	13/16	11
5.8	6.2	6.55	<b>4B62</b>	92.00	QDS05	5/8	1W	SD	1 13/16	13/16	12
6.0	6.4	6.75	<b>4B64</b>	96.00	QDS05	5/8	1W	SD	1 13/16	13/16	11
6.2	6.6	6.95	<b>4B66</b>	100.00	QDS05	5/8	1W	SD	1 13/16	13/16	11
6.4	6.8	7.15	<b>4B68</b>	104.00	QDS05	5/8	1W	SD	1 13/16	13/16	12
6.6	7.0	7.35	<b>4B70</b>	108.00	QDS05	3/16	1W	SK	1 7/8	1 3/16	13
7.0	7.4	7.75	<b>4B74</b>	112.00	QDS05	3/16	1W	SK	1 7/8	1 3/16	15
7.6	8.0	8.35	<b>4B80</b>	116.00	QDS05	3/16	1W	SK	1 7/8	1 3/16	15
8.2	8.6	8.95	<b>4B86</b>	124.00	QDS05	3/16	1A	SK	1 7/8	1 3/16	17
8.6	9.0	9.35	<b>4B90</b>	131.00	QDS05	3/16	1A	SK	1 7/8	1 3/16	17
9.0	9.4	9.75	<b>4B94</b>	138.00	QDS05	3/16	1A	SK	1 7/8	1 3/16	19
10.6	11.0	11.35	<b>4B110</b>	152.00	QDS05	3/16	1A	SK	1 7/8	1 3/16	25
12.0	12.4	12.75	<b>4B124</b>	170.00	QDS05	3/16	1A	SK	1 7/8	1 3/16	28
13.2	13.6	13.95	<b>4B136</b>	204.00	QDS05	3/16	1A	SK	1 7/8	1 3/16	32
15.0	15.4	15.75	<b>4B154</b>	224.00	QDS05	3/16	1A	SF	2	1 1/16	38
15.6	16.0	16.35	<b>4B160</b>	244.00	QDS05	3/16	1A	SF	2	1 1/16	41
18.0	18.4	18.75	<b>4B184</b>	260.00	QDS05	3/16	1A	SF	2	1 1/16	48
19.6	20.0	20.35	<b>4B200</b>	364.00	QDS05	3/16	1A	SF	2	1 1/16	60
24.6	25.0	25.35	<b>4B250</b>	480.00	QDS05	1/16	6A	E	2 5/8	11/16	93
29.6	30.0	30.35	<b>4B300</b>	560.00	QDS05	1/16	6A	E	2 5/8	11/16	120
37.6	38.0	38.35	<b>4B380</b>	980.00	QDS07	0	4A	E	2 5/8	5/8	162

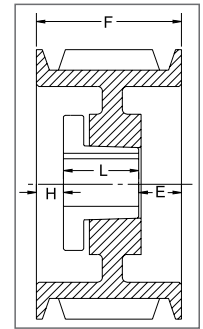
P.D. for "A" (4L) Belts = Datum Dia. + .35" = O.D. - .40

P.D. for "B" (5L) Belts = O.D.

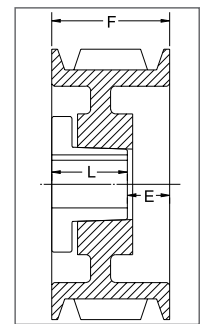
<sup>1</sup> Reverse mount only.

\* Mounting bolts are supplied by Baldor with these parts.

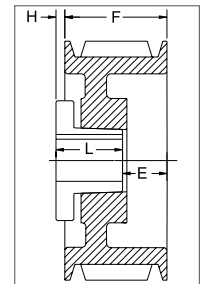
Type of sheave "T": A = arms; B = block; W = web



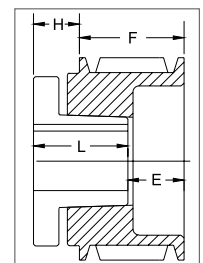
TYPE 1



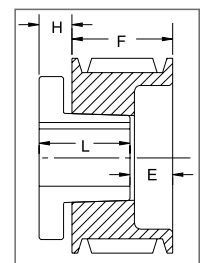
TYPE 4



TYPE 6



TYPE 10



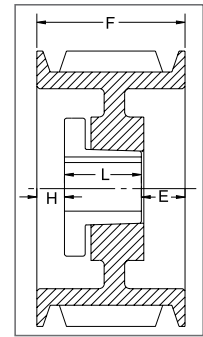
TYPE 11

## "A/B" COMBINATION

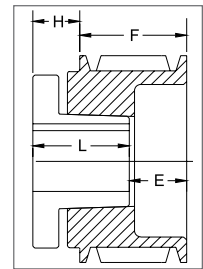
### 5 GROOVES

#### Dimensions

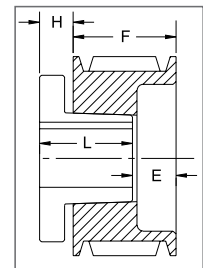
Datum dia.		O.D.	Part No.	List Price	Mult. Sym.	F = 4 inches					
"A" Belts	"B" Belts					H	Type	B	L	E	Approx. Wt. (lbs)
3.0	3.4	3.75	5B34 <sup>1*</sup>	74.00	QDS05	1	10B	SD	1 13/16	3 3/16	5
3.2	3.6	3.95	5B36 <sup>1*</sup>	76.00	QDS05	1	10B	SD	1 13/16	3 3/16	6
3.4	3.8	4.15	5B38 <sup>1*</sup>	78.00	QDS05	1	10B	SD	1 13/16	3 3/16	6
3.6	4.0	4.35	5B40 <sup>1*</sup>	80.00	QDS05	11/16	11B	SD	1 13/16	2 7/8	6
3.8	4.2	4.55	5B42 <sup>1*</sup>	82.00	QDS05	11/16	11B	SD	1 13/16	2 7/8	7
4.0	4.4	4.75	5B44 <sup>1*</sup>	84.00	QDS05	11/16	11B	SD	1 13/16	2 7/8	7
4.2	4.6	4.95	5B46*	86.00	QDS05	5/8	1B	SD	1 13/16	1 9/16	7
4.4	4.8	5.15	5B48	90.00	QDS05	5/8	1B	SD	1 13/16	1 9/16	9
4.6	5.0	5.35	5B50	92.00	QDS05	5/8	1B	SD	1 13/16	1 9/16	10
4.8	5.2	5.55	5B52	94.00	QDS05	5/8	1B	SD	1 13/16	1 9/16	10
5.0	5.4	5.75	5B54	96.00	QDS05	1/2	1B	SK	1 7/8	1 5/8	10
5.2	5.6	5.95	5B56	98.00	QDS05	1/2	1B	SK	1 7/8	1 5/8	11
5.4	5.8	6.15	5B58	100.00	QDS05	1/2	1B	SK	1 7/8	1 5/8	12
5.6	6.0	6.35	5B60	106.00	QDS05	1/2	1B	SK	1 7/8	1 5/8	12
5.8	6.2	6.55	5B62	110.00	QDS05	1/2	1B	SK	1 7/8	1 5/8	14
6.0	6.4	6.75	5B64	116.00	QDS05	1/2	1B	SK	1 7/8	1 5/8	14
6.2	6.6	6.95	5B66	120.00	QDS05	1/2	1B	SK	1 7/8	1 5/8	15
6.4	6.8	7.15	5B68	124.00	QDS05	1/2	1B	SK	1 7/8	1 5/8	16
6.6	7.0	7.35	5B70	132.00	QDS05	1/2	1B	SF	2	1 1/2	16
7.0	7.4	7.75	5B74	150.00	QDS05	1/2	1B	SF	2	1 1/2	18
7.6	8.0	8.35	5B80	154.00	QDS05	1/2	1W	SF	2	1 1/2	19
8.2	8.6	8.95	5B86	164.00	QDS05	1/2	1W	SF	2	1 1/2	21
8.6	9.0	9.35	5B90	168.00	QDS05	1/2	1A	SF	2	1 1/2	21
9.0	9.4	9.75	5B94	172.00	QDS05	1/2	1A	SF	2	1 1/2	22
10.6	11.0	11.35	5B110	194.00	QDS05	1/2	1A	SF	2	1 1/2	29
12.0	12.4	12.75	5B124	208.00	QDS05	1/2	1A	SF	2	1 1/2	33
13.2	13.6	13.95	5B136	240.00	QDS05	1/2	1A	SF	2	1 1/2	39
15.0	15.4	15.75	5B154	268.00	QDS05	1/2	1A	SF	2	1 1/2	43
15.6	16.0	16.35	5B160	294.00	QDS05	1/2	1A	SF	2	1 1/2	46
18.0	18.4	18.75	5B184	316.00	QDS05	1/2	1A	SF	2	1 1/2	54
19.6	20.0	20.35	5B200	390.00	QDS05	3/16	1A	E	2 5/8	1 3/16	77.5
24.6	25.0	25.35	5B250	500.00	QDS05	3/16	1A	E	2 5/8	1 3/16	108
29.6	30.0	30.35	5B300	696.00	QDS05	3/16	1A	E	2 5/8	1 3/16	131
37.6	38.0	38.35	5B380	1080.00	QDS07	3/16	1A	E	2 5/8	1 3/16	169



TYPE 1



TYPE 10



TYPE 11

P.D. for "A" (4L) Belts = Datum Dia. + .35" = O.D. - .40

P.D. for "B" (5L) Belts = O.D.

<sup>1</sup> Reverse mount only.

\* Mounting bolts are supplied by Baldor with these parts.

Type of sheave "T": A = arms; B = block; W = web



### "A/B" COMBINATION

#### 6 GROOVES

#### Dimensions

Datum dia.		O.D.	Part No.	List Price	Mult. Sym.	F = 4 3/4 inches					
"A" Belts	"B" Belts					H	Type	B	L	E	Approx. Wt. (lbs)
3.0	3.4	3.75	<b>6B34<sup>1*</sup></b>	98.00	QDS07	1 3/32	10B	SD	1 13/16	4 1/32	6
3.2	3.6	3.95	<b>6B36<sup>1*</sup></b>	100.00	QDS07	1 3/32	10B	SD	1 13/16	4 1/32	7
3.4	3.8	4.15	<b>6B38<sup>1*</sup></b>	102.00	QDS07	1 3/32	10B	SD	1 13/16	4 1/32	7
3.6	4.0	4.35	<b>6B40<sup>1*</sup></b>	104.00	QDS07	11/16	11B	SD	1 13/16	3 5/8	7
3.8	4.2	4.55	<b>6B42<sup>1*</sup></b>	106.00	QDS07	11/16	11B	SD	1 13/16	3 5/8	8
4.0	4.4	4.75	<b>6B44<sup>1*</sup></b>	110.00	QDS07	11/16	11B	SD	1 13/16	3 5/8	9
4.2	4.6	4.95	<b>6B46*</b>	112.00	QDS07	5/8	1B	SD	1 13/16	2 5/16	9
4.4	4.8	5.15	<b>6B48</b>	114.00	QDS07	5/8	1B	SD	1 13/16	2 5/16	10
4.6	5.0	5.35	<b>6B50</b>	116.00	QDS07	5/8	1B	SD	1 13/16	2 5/16	11
4.8	5.2	5.55	<b>6B52</b>	118.00	QDS07	5/8	1B	SD	1 13/16	2 5/16	11
5.0	5.4	5.75	<b>6B54</b>	120.00	QDS07	1/2	1B	SK	1 7/8	2 3/8	11
5.2	5.6	5.95	<b>6B56</b>	122.00	QDS07	1/2	1B	SK	1 7/8	2 3/8	13.4
5.4	5.8	6.15	<b>6B58</b>	124.00	QDS07	1/2	1B	SK	1 7/8	2 3/8	15.5
5.6	6.0	6.35	<b>6B60</b>	126.00	QDS07	1/2	1B	SK	1 7/8	2 3/8	15
5.8	6.2	6.55	<b>6B62</b>	130.00	QDS07	1/2	1B	SK	1 7/8	2 3/8	15
6.0	6.4	6.75	<b>6B64</b>	134.00	QDS07	1/2	1B	SK	1 7/8	2 3/8	16
6.2	6.6	6.95	<b>6B66</b>	138.00	QDS07	1/2	1B	SK	1 7/8	2 3/8	17
6.4	6.8	7.15	<b>6B68</b>	142.00	QDS07	1/2	1B	SK	1 7/8	2 3/8	18
6.6	7.0	7.35	<b>6B70</b>	150.00	QDS07	7/8	1B	SF	2	1 7/8	19
7.0	7.4	7.75	<b>6B74</b>	204.00	QDS07	7/8	1B	SF	2	1 7/8	20
7.6	8.0	8.35	<b>6B80</b>	208.00	QDS07	7/8	1W	SF	2	1 7/8	24
8.2	8.6	8.95	<b>6B86</b>	220.00	QDS07	7/8	1W	SF	2	1 7/8	26
9.0	9.4	9.75	<b>6B94</b>	230.00	QDS07	7/8	1W	SF	2	1 7/8	30
10.6	11.0	11.35	<b>6B110</b>	248.00	QDS07	7/8	1A	SF	2	1 7/8	30
12.0	12.4	12.75	<b>6B124</b>	276.00	QDS07	7/8	1A	SF	2	1 7/8	37
13.2	13.6	13.95	<b>6B136</b>	280.00	QDS07	1 3/32	1A	SF	2	1 21/32	39
15.0	15.4	15.75	<b>6B154</b>	300.00	QDS07	1 3/32	1A	SF	2	1 21/32	51.4
15.6	16.0	16.35	<b>6B160</b>	328.00	QDS07	7/8	1A	SF	2	1 7/8	54.6
18.0	18.4	18.75	<b>6B184</b>	348.00	QDS07	1 3/32	1A	SF	2	1 21/32	59
19.6	20.0	20.35	<b>6B200</b>	464.00	QDS07	3/16	1A	E	2 5/8	1 15/16	96.9
24.6	25.0	25.35	<b>6B250</b>	580.00	QDS07	5/16	1A	E	2 5/8	1 13/16	120
29.6	30.0	30.35	<b>6B300</b>	780.00	QDS07	5/16	1A	E	2 5/8	1 13/16	151
37.6	38.0	38.35	<b>6B380</b>	1120.00	QDS07	5/16	1A	E	2 5/8	1 13/16	157

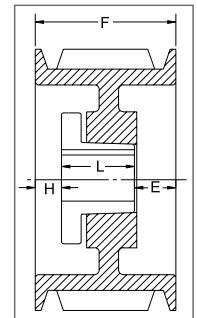
P.D. for "A" (4L) Belts = Datum Dia. + .35" = O.D. - .40

P.D. for "B" (5L) Belts = O.D.

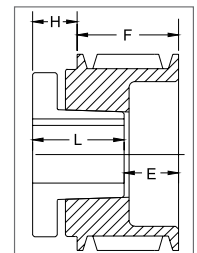
<sup>1</sup> Reverse mount only.

\* Mounting bolts are supplied by Baldor with these parts.

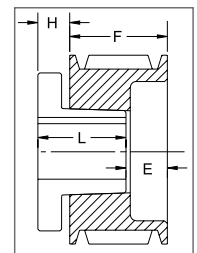
Type of sheave "T": A = arms; B = block; W = web



TYPE 1



TYPE 10

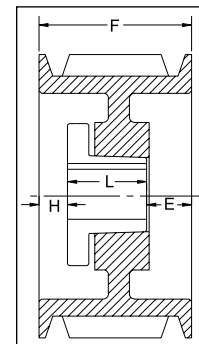


TYPE 11

## "A/B" COMBINATION 8 GROOVES

### Dimensions

Datum dia.		O.D.	Part No.	List Price	Mult. Sym.	F = 6 1/4 inches					Approx. Wt. (lbs)
"A" Belts	"B" Belts					H	Type	B	L	E	
5.0	5.4	5.75	8B54	180.00	QDS07	1	1B	SK	1 7/8	3 3/8	15
5.2	5.6	5.95	8B56	184.00	QDS07	1	1B	SK	1 7/8	3 3/8	17
5.4	5.8	6.15	8B58	188.00	QDS07	1	1B	SK	1 7/8	3 3/8	16
5.6	6.0	6.35	8B60	192.00	QDS07	1	1B	SF	2	3 1/4	16
5.8	6.2	6.55	8B62	196.00	QDS07	1	1B	SF	2	3 1/4	18
6.0	6.4	6.75	8B64	200.00	QDS07	1	1B	SF	2	3 1/4	19
6.2	6.6	6.95	8B66	208.00	QDS07	1	1B	SF	2	3 1/4	20
6.4	6.8	7.15	8B68	212.00	QDS07	1	1B	SF	2	3 1/4	21
6.6	7.0	7.35	8B70	260.00	QDS07	1	1B	SF	2	3 1/4	22
7.0	7.4	7.75	8B74	284.00	QDS07	1	1B	SF	2	3 1/4	25
7.6	8.0	8.35	8B80	288.00	QDS07	1 5/16	1B	E	2 5/8	2 5/16	29
8.2	8.6	8.95	8B86	292.00	QDS07	1 5/16	1B	E	2 5/8	2 5/16	33
9.0	9.4	9.75	8B94	300.00	QDS07	1 5/16	1B	E	2 5/8	2 5/16	36
10.6	11.0	11.35	8B110	356.00	QDS07	1 5/16	1B	E	2 5/8	2 5/16	46
12.0	12.4	12.75	8B124	372.00	QDS07	1 5/16	1W	E	2 5/8	2 5/16	53
13.2	13.6	13.95	8B136	452.00	QDS07	1 3/8	1A	E	2 5/8	2 1/4	59
15.0	15.4	15.75	8B154	500.00	QDS07	1 3/8	1A	E	2 5/8	2 1/4	69
15.6	16.0	16.35	8B160	572.00	QDS07	1 5/16	1A	E	2 5/8	2 5/16	71
18.0	18.4	18.75	8B184	636.00	QDS07	3/32	1A	F	3 5/8	2 17/32	108
19.6	20.0	20.35	8B200	690.00	QDS07	3/32	1A	F	3 5/8	2 17/32	114
24.6	25.0	25.35	8B250	880.00	QDS07	3/32	1A	F	3 5/8	2 17/32	152
29.6	30.0	30.35	8B300	1260.00	QDS07	3/32	1A	F	3 5/8	2 17/32	186
37.6	38.0	38.35	8B380	1740.00	QDS07	3/32	1A	F	3 5/8	2 17/32	220



TYPE 1

## 10 GROOVES

### Dimensions

Datum dia.		O.D.	Part No.	List Price	Mult. Sym.	F = 7 3/4 inches					Approx. Wt. (lbs)
"A" Belts	"B" Belts					H	Type	B	L	E	
5.0	5.4	5.75	10B54	280.00	QDS07	1 3/4	1B	SK	1 7/8	4 1/8	16
5.2	5.6	5.95	10B56	288.00	QDS07	1 3/4	1B	SK	1 7/8	4 1/8	17
5.4	5.8	6.15	10B58	296.00	QDS07	1 3/4	1B	SK	1 7/8	4 1/8	18
5.6	6.0	6.35	10B60	304.00	QDS07	1 3/4	1B	SF	2	4	19
5.8	6.2	6.55	10B62	312.00	QDS07	1 3/4	1B	SF	2	4	20
6.0	6.4	6.75	10B64	320.00	QDS07	1 3/4	1B	SF	2	4	21
6.2	6.6	6.95	10B66	332.00	QDS07	1 3/4	1B	SF	2	4	21
6.4	6.8	7.15	10B68	344.00	QDS07	1 3/4	1B	SF	2	4	22
6.6	7.0	7.35	10B70	352.00	QDS07	1 3/4	1B	SF	2	4	23
7.0	7.4	7.75	10B74	360.00	QDS07	1 3/4	1B	SF	2	4	24
8.2	8.6	8.95	10B86	372.00	QDS07	2 1/16	1B	E	2 5/8	3 1/16	39.6
9.0	9.4	9.75	10B94	420.00	QDS07	2 1/16	1B	E	2 5/8	3 1/16	40
10.6	11.0	11.35	10B110	520.00	QDS07	2 1/16	1B	E	2 5/8	3 1/16	52
12.0	12.4	12.75	10B124	532.00	QDS07	2 1/16	1W	E	2 5/8	3 1/16	58
13.2	13.6	13.95	10B136	636.00	QDS07	27/32	1A	F	3 5/8	3 9/32	73
15.0	15.4	15.75	10B154	680.00	QDS07	27/32	1A	F	3 5/8	3 9/32	87
15.6	16.0	16.35	10B160	760.00	QDS07	27/32	1A	F	3 5/8	3 9/32	100
18.0	18.4	18.75	10B184	800.00	QDS07	27/32	1A	F	3 5/8	3 9/32	110
19.6	20.0	20.35	10B200	860.00	QDS07	27/32	1A	F	3 5/8	3 9/32	120
24.6	25.0	25.35	10B250	1160.00	QDS07	27/32	1A	F	3 5/8	3 9/32	148
29.6	30.0	30.35	10B300	1380.00	QDS07	27/32	1A	F	3 5/8	3 9/32	190
37.6	38.0	38.35	10B380	1780.00	QDS07	7/32	1A	J	4 1/2	3 1/32	260

P.D. for "A" (4L) Belts = Datum Dia. + .35" = O.D. - .40 P.D. for "B" (5L) Belts = O.D. Type of sheave "T": A = arms; B = block; W = web

For more details and additional products, see complete Baldor•Maska® Product Catalog or [www.maskapulley.com](http://www.maskapulley.com)

Gearmotors and Gear Products

PT Components

Motor Accessories

Grinders

Gearmotors

Servo Motors and Controls

Mod Express

Baldor Education Workshop

Classifications and Sales Offices

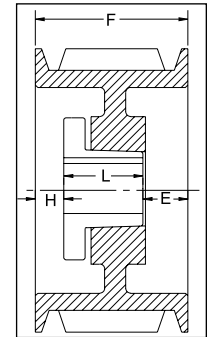
EISA Compliance Table & Index

### “C” SECTION

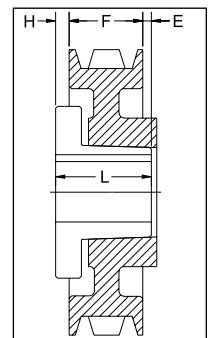
### 1 GROOVE

#### Dimensions

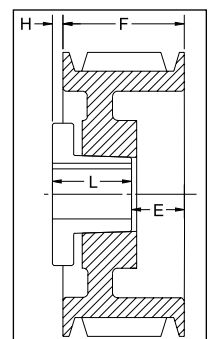
Datum dia.	O.D.	Part No.	List Price	Mult. Sym.	F = 1 3/8 inches					Approx. Wt. (lbs)
					H	Type	B	L	E	
7.0	7.4	<b>1C70</b>	112.00	QDS07	9/16	5B	SF	2	1/16	10
7.5	7.9	<b>1C75</b>	120.00	QDS07	9/16	5B	SF	2	1/16	11
8.0	8.4	<b>1C80</b>	124.00	QDS07	9/16	5B	SF	2	1/16	13.2
8.5	8.9	<b>1C85</b>	128.00	QDS07	9/16	5B	SF	2	1/16	15.6
9.0	9.4	<b>1C90</b>	132.00	QDS07	19/32	5W	SF	2	1/32	13
9.5	9.9	<b>1C95</b>	136.00	QDS07	19/32	5W	SF	2	1/32	18
10.0	10.4	<b>1C100</b>	140.00	QDS07	11/16	6W	SF	2	1/16	14
10.5	10.9	<b>1C105</b>	152.00	QDS07	11/16	6W	SF	2	1/16	20
11.0	11.4	<b>1C110</b>	172.00	QDS07	17/32	5W	SF	2	3/32	15
12.0	12.4	<b>1C120</b>	184.00	QDS07	11/16	6W	SF	2	1/16	16
13.0	13.4	<b>1C130</b>	240.00	QDS07	11/16	6A	SF	2	1/16	18
14.0	14.4	<b>1C140</b>	260.00	QDS07	11/16	6A	SF	2	1/16	20
16.0	16.4	<b>1C160</b>	280.00	QDS07	11/16	6A	SF	2	1/16	24
18.0	18.4	<b>1C180</b>	300.00	QDS07	11/16	6A	SF	2	1/16	32
20.0	20.4	<b>1C200</b>	320.00	QDS07	11/16	6A	SF	2	1/16	35
24.0	24.4	<b>1C240</b>	360.00	QDS07	11/16	6A	SF	2	1/16	46.9



TYPE 1



TYPE 5



TYPE 6

### 2 GROOVES

#### Dimensions

Datum dia.	O.D.	Part No.	List Price	Mult. Sym.	F = 2 3/8 inches					Approx. Wt. (lbs)
					H	Type	B	L	E	
6.0	6.4	<b>2C60</b>	126.00	QDS06	1/16	1B	SF	2	5/16	11
7.0	7.4	<b>2C70</b>	132.00	QDS06	0	1B	SF	2	3/8	13
7.5	7.9	<b>2C75</b>	136.00	QDS06	0	1B	SF	2	3/8	15
8.0	8.4	<b>2C80</b>	144.00	QDS06	0	1B	SF	2	3/8	17
8.5	8.9	<b>2C85</b>	148.00	QDS06	0	1B	SF	2	3/8	19
9.0	9.4	<b>2C90</b>	152.00	QDS06	0	1W	SF	2	3/8	21
9.5	9.9	<b>2C95</b>	160.00	QDS06	0	1W	SF	2	3/8	22
10.0	10.4	<b>2C100</b>	176.00	QDS06	0	1W	SF	2	3/8	21.8
10.5	10.9	<b>2C105</b>	188.00	QDS06	0	1W	SF	2	3/8	23
11.0	11.4	<b>2C110</b>	200.00	QDS06	0	1W	SF	2	3/8	26
12.0	12.4	<b>2C120</b>	210.00	QDS06	1/4	6W	SF	2	5/8	37
13.0	13.4	<b>2C130</b>	250.00	QDS06	1/4	6A	SF	2	5/8	35
14.0	14.4	<b>2C140</b>	270.00	QDS06	1/4	6A	SF	2	5/8	40
16.0	16.4	<b>2C160</b>	290.00	QDS06	1/4	6A	SF	2	5/8	40
18.0	18.4	<b>2C180</b>	310.00	QDS06	1/4	6A	SF	2	5/8	50
20.0	20.4	<b>2C200</b>	340.00	QDS06	1/4	6A	SF	2	5/8	55
24.0	24.4	<b>2C240</b>	460.00	QDS06	1/4	6A	SF	2	5/8	73.1
27.0	27.4	<b>2C270</b>	550.00	QDS06	29/32	5A	F	3 5/8	11/32	94
30.0	30.4	<b>2C300</b>	620.00	QDS06	29/32	5A	F	3 5/8	11/32	104

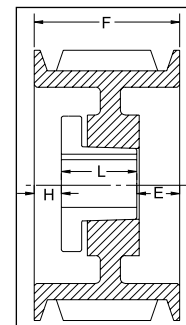
P.D. for “C” Belts = O.D.

Type of sheave “T”: A = arms; B = block; W = web

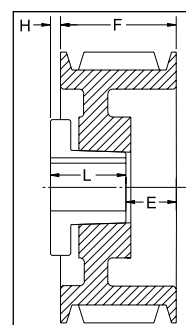
### "C" SECTION 3 GROOVES

#### Dimensions

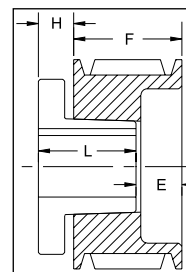
Datum dia.	O.D.	Part No.	List Price	Mult. Sym.	F = 3 3/8 inches					
					H	Type	B	L	E	Approx. Wt. (lbs)
5.0	5.4	<b>3C50*</b>	136.00	QDS06	5/16	1B	SD	1 13/16	1 1/4	9
5.0	5.4	<b>3C50SK<sup>1</sup></b>	136.00	QDS06	13/16	11B	SK	1 7/8	2 5/16	10.5
5.6	6.0	<b>3C56</b>	138.00	QDS06	5/8	1B	SD	1 13/16	15/16	10
6.0	6.4	<b>3C60</b>	140.00	QDS06	1/16	1B	SF	2	1 5/16	11.3
7.0	7.4	<b>3C70</b>	144.00	QDS06	1/2	1B	SF	2	7/8	16
7.5	7.9	<b>3C75</b>	148.00	QDS06	1/2	1B	SF	2	7/8	18
8.0	8.4	<b>3C80</b>	156.00	QDS06	11/16	1B	E	2 5/8	1/16	21
8.5	8.9	<b>3C85</b>	176.00	QDS06	11/16	1B	E	2 5/8	1/16	24
9.0	9.4	<b>3C90</b>	188.00	QDS06	11/16	1B	E	2 5/8	1/16	26
9.5	9.9	<b>3C95</b>	200.00	QDS06	11/16	1W	E	2 5/8	1/16	29.8
10.0	10.4	<b>3C100</b>	220.00	QDS06	11/16	1W	E	2 5/8	1/16	34
10.5	10.9	<b>3C105</b>	230.00	QDS06	11/16	1W	E	2 5/8	1/16	37
11.0	11.4	<b>3C110</b>	240.00	QDS06	11/16	1W	E	2 5/8	1/16	39
12.0	12.4	<b>3C120</b>	250.00	QDS06	11/16	1W	E	2 5/8	1/16	43.4
13.0	13.4	<b>3C130</b>	290.00	QDS06	11/16	1A	E	2 5/8	1/16	45
14.0	14.4	<b>3C140</b>	320.00	QDS06	11/16	1A	E	2 5/8	1/16	50
16.0	16.4	<b>3C160</b>	330.00	QDS06	11/16	1A	E	2 5/8	1/16	60
18.0	18.4	<b>3C180</b>	350.00	QDS06	11/16	1A	E	2 5/8	1/16	63
20.0	20.4	<b>3C200</b>	400.00	QDS06	1/16	6A	E	2 5/8	13/16	81
24.0	24.4	<b>3C240</b>	480.00	QDS06	1/16	6A	E	2 5/8	13/16	94.7
27.0	27.4	<b>3C270</b>	580.00	QDS06	13/32	6A	F	3 5/8	5/32	116
30.0	30.4	<b>3C300</b>	640.00	QDS06	13/32	6A	F	3 5/8	5/32	134.4
36.0	36.4	<b>3C360</b>	980.00	QDS07	13/32	6A	F	3 5/8	5/32	159
44.0	44.4	<b>3C440</b>	1720.00	QDS07	13/32	6A	F	3 5/8	5/32	190
50.0	50.4	<b>3C500</b>	1920.00	QDS07	13/32	6A	F	3 5/8	5/32	250



TYPE 1



TYPE 6



TYPE 11

P.D. for "C" Belts = O.D.

<sup>1</sup> Reverse mount only.

\* Mounting bolts are supplied by Baldor with these parts.

Type of sheave "T": A = arms; B = block; W = web

### “C” SECTION

#### 4 GROOVES Dimensions

Datum dia.	O.D.	Part No.	List Price	Mult. Sym.	F = 4 3/8 inches					Approx. Wt. (lbs)
					H	Type	B	L	E	
5.0	5.4	4C50*	156.00	QDS06	5/8	1B	SD	1 13/16	1 15/16	10.2
5.0	5.4	4C50SK <sup>1</sup>	156.00	QDS06	13/16	11B	SK	1 7/8	3 5/16	12.0
5.6	6.0	4C56	158.00	QDS06	7/8	1B	SD	1 13/16	1 11/16	13.0
6.0	6.4	4C60	160.00	QDS06	1/16	1B	SF	2	2 5/16	15.0
7.0	7.4	4C70	164.00	QDS06	3/4	1B	SF	2	1 5/8	19.0
7.5	7.9	4C75	172.00	QDS06	3/4	1B	SF	2	1 5/8	22.0
8.0	8.4	4C80	196.00	QDS06	15/16	1B	E	2 5/8	13/16	24.0
8.5	8.9	4C85	208.00	QDS06	15/16	1B	E	2 5/8	13/16	28.0
9.0	9.4	4C90	224.00	QDS06	15/16	1B	E	2 5/8	13/16	31.0
9.5	9.9	4C95	228.00	QDS06	15/16	1B	E	2 5/8	13/16	34.8
10.0	10.4	4C100	240.00	QDS06	15/16	1B	E	2 5/8	13/16	40.0
10.5	10.9	4C105	260.00	QDS06	15/16	1W	E	2 5/8	13/16	43.0
11.0	11.4	4C110	272.00	QDS06	15/16	1W	E	2 5/8	13/16	44.0
12.0	12.4	4C120	300.00	QDS06	15/16	1W	E	2 5/8	13/16	50.0
13.0	13.4	4C130	336.00	QDS06	15/16	1A	E	2 5/8	13/16	52.0
14.0	14.4	4C140	364.00	QDS06	15/16	1A	E	2 5/8	13/16	57.0
16.0	16.4	4C160	420.00	QDS06	15/16	1A	E	2 5/8	13/16	67.0
18.0	18.4	4C180	430.00	QDS06	15/16	1A	E	2 5/8	13/16	72.0
20.0	20.4	4C200	450.00	QDS06	7/16	1A	E	2 5/8	1 5/16	86.0
24.0	24.4	4C240	560.00	QDS06	3/32	1A	F	3 5/8	21/32	113.0
27.0	27.4	4C270	660.00	QDS06	3/32	1A	F	3 5/8	21/32	140.0
30.0	30.4	4C300	760.00	QDS06	3/32	1A	F	3 5/8	21/32	149.0
36.0	36.4	4C360	1120.00	QDS07	5/32	1A	F	3 5/8	19/32	185.0
44.0	44.4	4C440	1800.00	QDS07	7/32	2A	J	4 1/2	11/32	225.0
50.0	50.4	4C500	2120.00	QDS07	7/32	2A	J	4 1/2	11/32	275.0

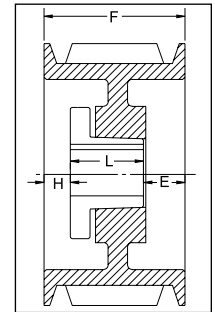
Type of sheave "T": A = arms; B = block; W = web

#### 5 GROOVES Dimensions

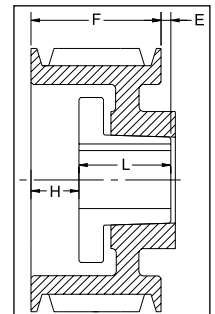
Datum dia.	O.D.	Part No.	List Price	Mult. Sym.	F = 5 3/8 inches					Approx. Wt. (lbs)
					H	Type	B	L	E	
6.0	6.4	5C60SF	172.00	QDS06	1/16	1B	SF	2	3 5/16	16
7.0	7.4	5C70	176.00	QDS06	1 1/8	1B	SF	2	2 1/4	23
7.5	7.9	5C75	224.00	QDS06	1 1/8	1B	SF	2	2 1/4	25
8.0	8.4	5C80	236.00	QDS06	1 5/16	1B	E	2 5/8	1 7/16	28
8.5	8.9	5C85	252.00	QDS06	1 5/16	1B	E	2 5/8	1 7/16	32
9.0	9.4	5C90	256.00	QDS06	1 5/16	1B	E	2 5/8	1 7/16	36
9.5	9.9	5C95	262.00	QDS06	1 5/16	1B	E	2 5/8	1 7/16	40
10.0	10.4	5C100	276.00	QDS06	1 5/16	1W	E	2 5/8	1 7/16	41
10.5	10.9	5C105	296.00	QDS06	1 5/16	1W	E	2 5/8	1 7/16	44
11.0	11.4	5C110	332.00	QDS06	1 5/16	1W	E	2 5/8	1 7/16	47
12.0	12.4	5C120	336.00	QDS06	1 5/16	1W	E	2 5/8	1 7/16	55
13.0	13.4	5C130	376.00	QDS06	1 5/16	1A	E	2 5/8	1 7/16	55
14.0	14.4	5C140	380.00	QDS06	1 5/16	1A	E	2 5/8	1 7/16	62
16.0	16.4	5C160	430.00	QDS06	1 5/16	1A	E	2 5/8	1 7/16	73
18.0	18.4	5C180	480.00	QDS06	1 5/16	1A	E	2 5/8	1 7/16	83
20.0	20.4	5C200	600.00	QDS06	3/32	1A	F	3 5/8	1 21/32	109
24.0	24.4	5C240	640.00	QDS06	3/32	1A	F	3 5/8	1 21/32	129
27.0	27.4	5C270	760.00	QDS06	3/32	1A	F	3 5/8	1 21/32	149
30.0	30.4	5C300	840.00	QDS06	3/32	1A	F	3 5/8	1 21/32	172
36.0	36.4	5C360	1180.00	QDS07	7/32	1A	J	4 1/2	21/32	205
44.0	44.4	5C440	1940.00	QDS07	7/32	1A	J	4 1/2	21/32	285
50.0	50.4	5C500	2280.00	QDS07	7/32	1A	J	4 1/2	21/32	325

P.D. for "C" Belts = O.D. <sup>1</sup> Reverse mount only. \* Mounting bolts are supplied by Baldor with these parts.

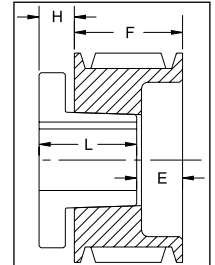
For more details and additional products, see complete Baldor•Maska® Product Catalog or [www.maskapulleys.com](http://www.maskapulleys.com)



TYPE 1



TYPE 2



TYPE 11

Gearmotors and Gear Products

PT Components

Motor Accessories

Grinders

Generators

Servo Motors and Controls

Mod Express

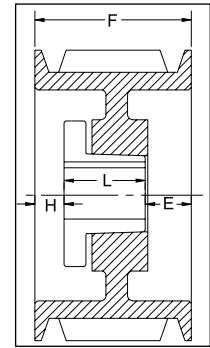
Baldor Education Workshops

Classifications and Sales Offices

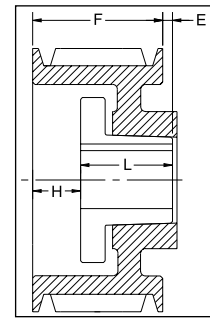
EISA Compliance Table & Index

### "C" SECTION 6 GROOVES Dimensions

Datum dia.	O.D.	Part No.	List Price	Mult. Sym.	F = 6 3/8 inches					Approx. Wt. (lbs)
					H	Type	B	L	E	
6.0	6.4	6C60	244.00	QDS06	1 1/16	1B	SF	2	3 5/16	24
7.0	7.4	6C70	248.00	QDS06	1 1/8	1B	SF	2	3 1/4	26
7.5	7.9	6C75	264.00	QDS06	1 1/8	1B	SF	2	3 1/4	29
8.0	8.4	6C80	280.00	QDS06	1 5/16	1B	E	2 5/8	2 7/16	31
8.5	8.9	6C85	288.00	QDS06	1 5/16	1B	E	2 5/8	2 7/16	35
9.0	9.4	6C90	296.00	QDS06	1 7/32	1B	F	3 5/8	1 17/32	44
9.5	9.9	6C95	316.00	QDS06	1 7/32	1B	F	3 5/8	1 17/32	49
10.0	10.4	6C100	328.00	QDS06	1 7/32	1B	F	3 5/8	1 17/32	56
10.5	10.9	6C105	336.00	QDS06	1 7/32	1B	F	3 5/8	1 17/32	56
11.0	11.4	6C110	356.00	QDS06	1 7/32	1W	F	3 5/8	1 17/32	59
12.0	12.4	6C120	400.00	QDS06	1 7/32	1W	F	3 5/8	1 17/32	66
13.0	13.4	6C130	444.00	QDS06	1 7/32	1A	F	3 5/8	1 17/32	66
14.0	14.4	6C140	480.00	QDS06	1 7/32	1A	F	3 5/8	1 17/32	75
16.0	16.4	6C160	520.00	QDS06	1 7/32	1A	F	3 5/8	1 17/32	86
18.0	18.4	6C180	560.00	QDS06	1 7/32	1A	F	3 5/8	1 17/32	100
20.0	20.4	6C200	620.00	QDS06	23/32	1A	F	3 5/8	2 1/32	119
24.0	24.4	6C240	720.00	QDS06	23/32	1A	F	3 5/8	2 1/32	141
27.0	27.4	6C270	880.00	QDS06	5/32	1A	J	4 1/2	1 23/32	173
30.0	30.4	6C300	1040.00	QDS06	5/32	1A	J	4 1/2	1 23/32	189
36.0	36.4	6C360	1300.00	QDS07	7/32	1A	J	4 1/2	1 21/32	240
44.0	44.4	6C440	2040.00	QDS07	7/32	1A	J	4 1/2	1 21/32	290
50.0	50.4	6C500	2680.00	QDS07	11/32	2A	M°	6 3/4	23/32	430



TYPE 1



TYPE 2

### 8 GROOVES Dimensions

Datum dia.	O.D.	Part No.	List Price	Mult. Sym.	F = 8 3/8 inches					Approx. Wt. (lbs)
					H	Type	B	L	E	
7.0	7.4	8C70	320.00	QDS07	2 13/32	1B	SF	2	3 31/32	34
7.5	7.9	-	-	QDS07	-	-	-	-	-	-
8.0	8.4	8C80	390.00	QDS07	2 3/16	1B	E	2 5/8	3 9/16	38.7
8.5	8.9	8C85	400.00	QDS07	2 3/16	1B	E	2 5/8	3 9/16	44
9.0	9.4	8C90	410.00	QDS07	2 3/32	1B	F	3 5/8	2 21/32	52.7
9.5	9.9	8C95	420.00	QDS07	2 3/32	1B	F	3 5/8	2 21/32	56
10.0	10.4	8C100	430.00	QDS07	2 3/32	1B	F	3 5/8	2 21/32	62
10.5	10.9	8C105	450.00	QDS07	2 3/32	1B	F	3 5/8	2 21/32	72
11.0	11.4	8C110	480.00	QDS07	2 3/32	1B	F	3 5/8	2 21/32	80
12.0	12.4	8C120	520.00	QDS07	2 3/32	1B	F	3 5/8	2 21/32	94
13.0	13.4	8C130	560.00	QDS07	2 3/32	1W	F	3 5/8	2 21/32	97
14.0	14.4	8C140	650.00	QDS07	2 3/32	1A	F	3 5/8	2 21/32	96
16.0	16.4	8C160	740.00	QDS07	2 3/32	1A	F	3 5/8	2 21/32	111
18.0	18.4	8C180	860.00	QDS07	2 3/32	1A	F	3 5/8	2 21/32	129
20.0	20.4	8C200	870.00	QDS07	5/32	1A	J	4 1/2	3 23/32	158
24.0	24.4	8C240	1020.00	QDS07	5/32	1A	J	4 1/2	3 23/32	173
27.0	27.4	8C270	1120.00	QDS07	5/32	1A	J	4 1/2	3 23/32	226
30.0	30.4	8C300	1280.00	QDS07	5/32	1A	J	4 1/2	3 23/32	272
36.0	36.4	8C360	1600.00	QDS07	9/32	1A	M°	6 3/4	1 11/32	370
44.0	44.4	8C440	2560.00	QDS07	9/32	1A	M°	6 3/4	1 11/32	479
50.0	50.4	8C500	3000.00	QDS07	9/32	1A	M°	6 3/4	1 11/32	570

P.D. for "C" Belts = O.D. Type of sheave "T": A = arms; B = block; W = web

\*Note: M-N-P-W bushings are standard mounting only with these parts.

For more details and additional products, see complete Baldor•Maska® Product Catalog or [www.maskapulleys.com](http://www.maskapulleys.com)

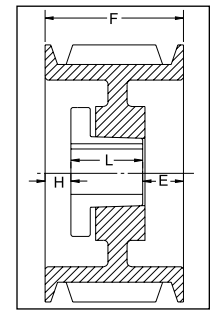


### “C” SECTION

### 10 GROOVES

#### Dimensions

Datum dia.	O.D.	Part No.	List Price	Mult. Sym.	F = 10 3/8 inches					
					H	Type	B	L	E	Approx. Wt. (lbs)
8.0	8.4	<b>10C80</b>	460.00	QDS07	2 3/16	1B	E	2 5/8	5 9/16	46.3
8.5	8.9	<b>10C85</b>	480.00	QDS07	2 3/16	1B	E	2 5/8	5 9/16	52
9.0	9.4	<b>10C90</b>	500.00	QDS07	2 5/32	1B	J	4 1/2	3 23/32	54
9.5	9.9	<b>10C95</b>	510.00	QDS07	2 5/32	1B	J	4 1/2	3 23/32	67.4
10.0	10.4	<b>10C100</b>	520.00	QDS07	2 5/32	1B	J	4 1/2	3 23/32	77
10.5	10.9	<b>10C105</b>	580.00	QDS07	2 5/32	1B	J	4 1/2	3 23/32	85.7
11.0	11.4	<b>10C110</b>	600.00	QDS07	2 5/32	1B	J	4 1/2	3 23/32	93.5
12.0	12.4	<b>10C120</b>	760.00	QDS07	2 5/32	1B	J	4 1/2	3 23/32	111.8
13.0	13.4	<b>10C130</b>	840.00	QDS07	2 5/32	1W	J	4 1/2	3 23/32	105
14.0	14.4	<b>10C140</b>	900.00	QDS07	2 5/32	1W	J	4 1/2	3 23/32	114
16.0	16.4	<b>10C160</b>	960.00	QDS07	2 5/32	1A	J	4 1/2	3 23/32	140
18.0	18.4	<b>10C180</b>	1080.00	QDS07	2 5/32	1A	J	4 1/2	3 23/32	160
20.0	20.4	<b>10C200</b>	1120.00	QDS07	2 5/32	1A	J	4 1/2	3 23/32	165
24.0	24.4	<b>10C240</b>	1360.00	QDS07	9/32	1A	M°	6 3/4	3 11/32	225
30.0	30.4	<b>10C300</b>	1760.00	QDS07	9/32	1A	M°	6 3/4	3 11/32	275
36.0	36.4	<b>10C360</b>	2560.00	QDS07	9/32	1A	M°	6 3/4	3 11/32	340
44.0	44.4	<b>10C440</b>	2800.00	QDS07	9/32	1A	M°	6 3/4	3 11/32	460
50.0	50.4	<b>10C500</b>	3500.00	QDS07	9/32	1A	M°	6 3/4	3 11/32	550



TYPE 1

### 12 GROOVES

#### Dimensions

Datum dia.	O.D.	Part No.	List Price	Mult. Sym.	F = 12 3/8 inches					
					H	Type	B	L	E	Approx. Wt. (lbs)
9.0	9.4	<b>12C90</b>	700.00	QDS07	2 21/32	1B	J	4 1/2	5 7/32	68
9.5	9.9	<b>12C95</b>	720.00	QDS07	2 21/32	1B	J	4 1/2	5 7/32	75
10.0	10.4	<b>12C100</b>	740.00	QDS07	2 21/32	1B	J	4 1/2	5 7/32	86
10.5	10.9	<b>12C105</b>	760.00	QDS07	2 21/32	1B	J	4 1/2	5 7/32	96
11.0	11.4	<b>12C110</b>	780.00	QDS07	2 21/32	1B	J	4 1/2	5 7/32	104
12.0	12.4	<b>12C120</b>	800.00	QDS07	2 21/32	1B	J	4 1/2	5 7/32	118.7
13.0	13.4	<b>12C130</b>	920.00	QDS07	2 21/32	1W	J	4 1/2	5 7/32	138
14.0	14.4	<b>12C140</b>	1180.00	QDS07	2 21/32	1W	J	4 1/2	5 7/32	153
16.0	16.4	<b>12C160</b>	1360.00	QDS07	2 21/32	1A	J	4 1/2	5 7/32	175
18.0	18.4	<b>12C180</b>	1400.00	QDS07	2 21/32	1A	J	4 1/2	5 7/32	198
20.0	20.4	<b>12C200</b>	1480.00	QDS07	9/32	1A	M°	6 3/4	5 11/32	237
24.0	24.4	<b>12C240</b>	1520.00	QDS07	9/32	1A	M°	6 3/4	5 11/32	277
30.0	30.4	<b>12C300</b>	1780.00	QDS07	9/32	1A	M°	6 3/4	5 11/32	357
36.0	36.4	<b>12C360</b>	2640.00	QDS07	9/32	1A	M°	6 3/4	5 11/32	430
44.0	44.4	<b>12C440</b>	3200.00	QDS07	9/32	1A	M°	6 3/4	5 11/32	520
50.0	50.4	<b>12C500</b>	3900.00	QDS07	9/32	1A	M°	6 3/4	5 11/32	595

P.D. for “C” Belts = O.D.

\*Note: M-N-P-W bushings are standard mounting only with these parts.

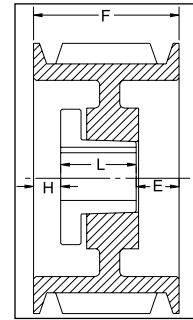
Type of sheave “T”: A = arms; B = block; W = web

### "D" SECTION

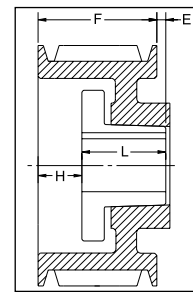
### 3 GROOVES

#### Dimensions

Datum dia.	O.D.	Part No.	List Price	Mult. Sym.	F = 4 5/8 inches					
					H	Type	B	L	E	Approx. Wt. (lbs)
12.0	12.6	3D120	560.00	QDS07	9/32	1W	F	3 5/8	23/32	64
13.0	13.6	3D130	600.00	QDS07	9/32	1W	F	3 5/8	23/32	72
13.5	14.1	3D135	620.00	QDS07	9/32	1W	F	3 5/8	23/32	76
14.0	14.6	3D140	640.00	QDS07	9/32	1W	F	3 5/8	23/32	79
14.5	15.1	3D145	680.00	QDS07	9/32	1W	F	3 5/8	23/32	84
15.0	15.6	3D150	720.00	QDS07	9/32	1W	F	3 5/8	23/32	89
15.5	16.1	3D155	740.00	QDS07	9/32	1W	F	3 5/8	23/32	94
16.0	16.6	3D160	760.00	QDS07	9/32	1A	F	3 5/8	23/32	95
18.0	18.6	3D180	800.00	QDS07	7/32	6A	J	4 1/2	11/32	115
22.0	22.6	3D220	960.00	QDS07	7/32	6A	J	4 1/2	11/32	135
27.0	27.6	3D270	1160.00	QDS07	7/32	6A	J	4 1/2	11/32	170
33.0	33.6	3D330	1640.00	QDS07	7/32	6A	J	4 1/2	11/32	215
40.0	40.6	3D400	2040.00	QDS07	7/32	6A	J	4 1/2	11/32	275



TYPE 1

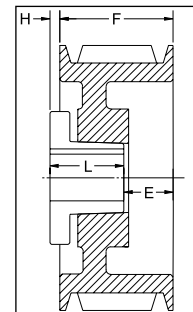


TYPE 2

### 4 GROOVES

#### Dimensions

Datum dia.	O.D.	Part No.	List Price	Mult. Sym.	F = 6 1/16 inches					
					H	Type	B	L	E	Approx. Wt. (lbs)
12.0	12.6	4D120	600.00	QDS07	1 3/32	1W	F	3 5/8	1 11/32	77
13.0	13.6	4D130	640.00	QDS07	1 3/32	1W	F	3 5/8	1 11/32	85
13.5	14.1	4D135	660.00	QDS07	1 3/32	1W	F	3 5/8	1 11/32	90
14.0	14.6	4D140	680.00	QDS07	1 3/32	1W	F	3 5/8	1 11/32	95
14.5	15.1	4D145	780.00	QDS07	1 3/32	1W	F	3 5/8	1 11/32	100
15.0	15.6	4D150	800.00	QDS07	1 3/32	1W	F	3 5/8	1 11/32	107
15.5	16.1	4D155	820.00	QDS07	1 3/32	1W	F	3 5/8	1 11/32	112
16.0	16.6	4D160	840.00	QDS07	1 3/32	1A	F	3 5/8	1 11/32	110
17.0	17.6	4D170	940.00	QDS07	1 5/32	1A	J	4 1/2	13/32	127
18.0	18.6	4D180	960.00	QDS07	1 5/32	1A	J	4 1/2	13/32	131
20.0	20.6	4D200	980.00	QDS07	1 5/32	1A	J	4 1/2	13/32	145
22.0	22.6	4D220	1000.00	QDS07	5/32	1A	J	4 1/2	1 13/32	160
27.0	27.6	4D270	1280.00	QDS07	5/32	1A	J	4 1/2	1 13/32	200
33.0	33.6	4D330	2120.00	QDS07	9/32	2A	M°	6 3/4	31/32	285
40.0	40.6	4D400	2240.00	QDS07	9/32	2A	M°	6 3/4	31/32	375



TYPE 6

P.D. for "D" Belts = O.D.

\*Note: M-N-P-W bushings are standard mounting only with these parts.

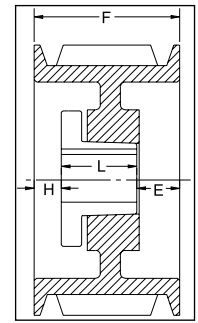
Type of sheave "T": A = arms; B = block; W = web

### “D” SECTION

#### 5 GROOVES

##### Dimensions

Datum dia.	O.D.	Part No.	List Price	Mult. Sym.	F = 7 1/2 inches					
					H	Type	B	L	E	Approx. Wt. (lbs)
12.0	12.6	<b>5D120</b>	780.00	QDS07	1 27/32	1W	F	3 5/8	2 1/32	89
13.0	13.6	<b>5D130</b>	800.00	QDS07	1 27/32	1W	F	3 5/8	2 1/32	100
13.5	14.1	<b>5D135</b>	820.00	QDS07	1 27/32	1W	F	3 5/8	2 1/32	105
14.0	14.6	<b>5D140</b>	860.00	QDS07	1 27/32	1W	F	3 5/8	2 1/32	111
14.5	15.1	<b>5D145</b>	920.00	QDS07	1 27/32	1W	F	3 5/8	2 1/32	118
15.0	15.6	<b>5D150</b>	940.00	QDS07	1 27/32	1W	F	3 5/8	2 1/32	125
15.5	16.1	<b>5D155</b>	960.00	QDS07	1 27/32	1W	F	3 5/8	2 1/32	131
16.0	16.6	<b>5D160</b>	980.00	QDS07	1 27/32	1A	F	3 5/8	2 1/32	110
17.0	17.6	<b>5D170</b>	1000.00	QDS07	1 29/32	1A	J	4 1/2	1 3/32	148
18.0	18.6	<b>5D180</b>	1020.00	QDS07	1 29/32	1A	J	4 1/2	1 3/32	131
20.0	20.6	<b>5D200</b>	1220.00	QDS07	5/32	1A	J	4 1/2	2 27/32	148
22.0	22.6	<b>5D220</b>	1420.00	QDS07	5/32	1A	J	4 1/2	2 27/32	152
27.0	27.6	<b>5D270</b>	1740.00	QDS07	9/32	1A	M <sup>a</sup>	6 3/4	15/32	250
33.0	33.6	<b>5D330</b>	2180.00	QDS07	9/32	1A	M <sup>a</sup>	6 3/4	15/32	321
40.0	40.6	<b>5D400</b>	2700.00	QDS07	9/32	1A	M <sup>a</sup>	6 3/4	15/32	424
48.0	48.6	<b>5D480</b>	3080.00	QDS07	9/32	1A	M <sup>a</sup>	6 3/4	15/32	550
58.0	58.6	<b>5D580</b>	4280.00	QDS07	9/32	1A	M <sup>a</sup>	6 3/4	15/32	600



#### 6 GROOVES

##### Dimensions

Datum dia.	O.D.	Part No.	List Price	Mult. Sym.	F = 8 15/16 inches					
					H	Type	B	L	E	Approx. Wt. (lbs)
12.0	12.6	<b>6D120</b>	960.00	QDS07	1 29/32	1B	J	4 1/2	2 17/32	116
13.0	13.6	<b>6D130</b>	980.00	QDS07	1 29/32	1B	J	4 1/2	2 17/32	137
13.5	14.1	<b>6D135</b>	1000.00	QDS07	1 29/32	1B	J	4 1/2	2 17/32	147
14.0	14.6	<b>6D140</b>	1020.00	QDS07	1 29/32	1B	J	4 1/2	2 17/32	158
14.5	15.1	<b>6D145</b>	1040.00	QDS07	1 29/32	1B	J	4 1/2	2 17/32	170
15.0	15.6	<b>6D150</b>	1060.00	QDS07	1 29/32	1W	J	4 1/2	2 17/32	147
15.5	16.1	<b>6D155</b>	1080.00	QDS07	1 29/32	1W	J	4 1/2	2 17/32	153
16.0	16.6	<b>6D160</b>	1100.00	QDS07	1 29/32	1A	J	4 1/2	2 17/32	137
17.0	17.6	<b>6D170</b>	1120.00	QDS07	1 29/32	1A	J	4 1/2	2 17/32	175
18.0	18.6	<b>6D180</b>	1140.00	QDS07	1 29/32	1A	J	4 1/2	2 17/32	159
20.0	20.6	<b>6D200</b>	1480.00	QDS07	1 29/32	1A	J	4 1/2	2 17/32	185
22.0	22.6	<b>6D220</b>	1840.00	QDS07	9/32	1A	M <sup>a</sup>	6 3/4	1 29/32	225
27.0	27.6	<b>6D270</b>	1900.00	QDS07	9/32	1A	M <sup>a</sup>	6 3/4	1 29/32	300
33.0	33.6	<b>6D330</b>	2460.00	QDS07	9/32	1A	M <sup>a</sup>	6 3/4	1 29/32	350
40.0	40.6	<b>6D400</b>	2980.00	QDS07	9/32	1A	M <sup>a</sup>	6 3/4	1 29/32	460
48.0	48.6	<b>6D480</b>	3480.00	QDS07	9/32	1A	M <sup>a</sup>	6 3/4	1 29/32	600
58.0	58.6	<b>6D580</b>	4520.00	QDS07	3/16	1A	N <sup>a</sup>	8 1/8	5/8	760

P.D. for “D” Belts = O.D.

\*Note: M-N-P-W bushings are standard mounting only with these parts.

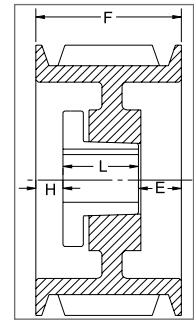
Type of sheave “T”: A = arms; B = block; W = web

### "D" SECTION

### 8 GROOVES

#### Dimensions

Datum dia.	O.D.	Part No.	List Price	Mult. Sym.	F = 11 13/16 inches					Approx. Wt. (lbs)
					H	Type	B	L	E	
12.0	12.6	<b>8D120</b>	1240.00	QDS07	2 5/32	1B	J	4 1/2	5 5/32	141
13.0	13.6	<b>8D130</b>	1260.00	QDS07	2 5/32	1B	J	4 1/2	5 5/32	163
13.5	14.1	<b>8D135</b>	1280.00	QDS07	2 5/32	1B	J	4 1/2	5 5/32	175
14.0	14.6	<b>8D140</b>	1320.00	QDS07	2 5/32	1B	J	4 1/2	5 5/32	187
14.5	15.1	<b>8D145</b>	1360.00	QDS07	2 5/32	1B	J	4 1/2	5 5/32	200
15.0	15.6	<b>8D150</b>	1380.00	QDS07	2 5/32	1W	J	4 1/2	5 5/32	183
15.5	16.1	<b>8D155</b>	1400.00	QDS07	2 5/32	1W	J	4 1/2	5 5/32	189
16.0	16.6	<b>8D160</b>	1560.00	QDS07	2 5/32	1W	J	4 1/2	5 5/32	197
17.0	17.6	<b>8D170</b>	1680.00	QDS07	2 5/32	1W	J	4 1/2	5 5/32	213
18.0	18.6	<b>8D180</b>	1820.00	QDS07	2 9/32	1W	M°	6 3/4	2 25/32	255
20.0	20.6	<b>8D200</b>	2000.00	QDS07	2 9/32	1W	M°	6 3/4	2 25/32	258
22.0	22.6	<b>8D220</b>	2160.00	QDS07	9/32	1A	M°	6 3/4	4 25/32	266
27.0	27.6	<b>8D270</b>	2660.00	QDS07	9/32	1A	M°	6 3/4	4 25/32	320
33.0	33.6	<b>8D330</b>	2840.00	QDS07	9/32	1A	M°	6 3/4	4 25/32	420
40.0	40.6	<b>8D400</b>	3720.00	QDS07	1/8	1A	N°	8 1/8	3 9/16	600
48.0	48.6	<b>8D480</b>	4320.00	QDS07	1/8	1A	N°	8 1/8	3 9/16	750
58.0	58.6	<b>8D580</b>	5280.00	QDS07	1/8	1A	N°	8 1/8	3 9/16	1000



TYPE 1

### 10 GROOVES

#### Dimensions

Datum dia.	O.D.	Part No.	List Price	Mult. Sym.	F = 14 11/16 inches					Approx. Wt. (lbs)
					H	Type	B	L	E	
12.0	12.6	<b>10D120</b>	1520.00	QDS07	2 9/32	1B	M°	6 3/4	5 21/32	166
13.0	13.6	<b>10D130</b>	1580.00	QDS07	2 9/32	1B	M°	6 3/4	5 21/32	207
13.5	14.1	<b>10D135</b>	1660.00	QDS07	2 9/32	1B	M°	6 3/4	5 21/32	224
14.0	14.6	<b>10D140</b>	1740.00	QDS07	2 9/32	1B	M°	6 3/4	5 21/32	242
14.5	15.1	<b>10D145</b>	1840.00	QDS07	2 9/32	1B	M°	6 3/4	5 21/32	260
15.0	15.6	<b>10D150</b>	1860.00	QDS07	2 9/32	1B	M°	6 3/4	5 21/32	279
15.5	16.1	<b>10D155</b>	1880.00	QDS07	2 9/32	1B	M°	6 3/4	5 21/32	298
16.0	16.6	<b>10D160</b>	1900.00	QDS07	2 9/32	1B	M°	6 3/4	5 21/32	318
17.0	17.6	<b>10D170</b>	2080.00	QDS07	2 9/32	1W	M°	6 3/4	5 21/32	307
18.0	18.6	<b>10D180</b>	2120.00	QDS07	2 9/32	1W	M°	6 3/4	5 21/32	293
20.0	20.6	<b>10D200</b>	2380.00	QDS07	2 9/32	1W	M°	6 3/4	5 21/32	351
22.0	22.6	<b>10D220</b>	2480.00	QDS07	1 9/32	1A	M°	6 3/4	6 21/32	342
27.0	27.6	<b>10D270</b>	2980.00	QDS07	1 9/32	1A	M°	6 3/4	6 21/32	415
33.0	33.6	<b>10D330</b>	3280.00	QDS07	1 11/32	1A	N°	8 1/8	5 7/32	575
40.0	40.6	<b>10D400</b>	4300.00	QDS07	1 11/32	1A	N°	8 1/8	5 7/32	680
48.0	48.6	<b>10D480</b>	5080.00	QDS07	3/16	1A	P°	9 3/8	5 1/8	975
58.0	58.6	<b>10D580</b>	5880.00	QDS07	3/16	1A	P°	9 3/8	5 1/8	1250

P.D. for "D" Belts = O.D.

\*Note: M-N-P-W bushings are standard mounting only with these parts.

Type of sheave "T": A = arms; B = block; W = web

### “D” SECTION

### 12 GROOVES

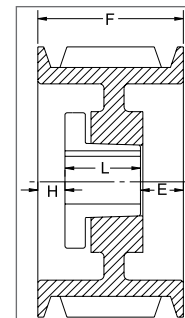
#### Dimensions

Datum dia.	O.D.	Part No.	List Price	Mult. Sym.	F = 17 9/16 inches					
					H	Type	B	L	E	Approx. Wt. (lbs)
12.0	12.6	<b>12D120</b>	1720.00	QDS07	3 9/32	1B	M <sup>o</sup>	6 3/4	7 17/32	187
13.0	13.6	<b>12D130</b>	1800.00	QDS07	3 9/32	1B	M <sup>o</sup>	6 3/4	7 17/32	234
13.5	14.1	<b>12D135</b>	1860.00	QDS07	3 9/32	1B	M <sup>o</sup>	6 3/4	7 17/32	252
14.0	14.6	<b>12D140</b>	1880.00	QDS07	3 9/32	1B	M <sup>o</sup>	6 3/4	7 17/32	271
14.5	15.1	<b>12D145</b>	2000.00	QDS07	3 9/32	1B	M <sup>o</sup>	6 3/4	7 17/32	290
15.0	15.6	<b>12D150</b>	2120.00	QDS07	3 9/32	1B	M <sup>o</sup>	6 3/4	7 17/32	310
15.5	16.1	<b>12D155</b>	2180.00	QDS07	3 9/32	1B	M <sup>o</sup>	6 3/4	7 17/32	330
16.0	16.6	<b>12D160</b>	2200.00	QDS07	3 9/32	1B	M <sup>o</sup>	6 3/4	7 17/32	352
17.0	17.6	<b>12D170</b>	2320.00	QDS07	3 15/32	1W	M <sup>o</sup>	6 3/4	7 11/32	365
18.0	18.6	<b>12D180</b>	2420.00	QDS07	3 15/32	1W	M <sup>o</sup>	6 3/4	7 11/32	391
20.0	20.6	<b>12D200</b>	2760.00	QDS07	3 9/32	1W	M <sup>o</sup>	6 3/4	7 17/32	401
22.0	22.6	<b>12D220</b>	2980.00	QDS07	2 9/32	1A	M <sup>o</sup>	6 3/4	7 17/32	365
27.0	27.6	<b>12D270</b>	3640.00	QDS07	2 1/8	1A	N <sup>o</sup>	8 1/8	7 5/16	505
33.0	33.6	<b>12D330</b>	4380.00	QDS07	2 1/8	1A	N <sup>o</sup>	8 1/8	7 5/16	590
40.0	40.6	<b>12D400</b>	5040.00	QDS07	3/16	1A	P <sup>o</sup>	9 3/8	8	925
48.0	48.6	<b>12D480</b>	6180.00	QDS07	3/16	1A	P <sup>o</sup>	9 3/8	8	1150
58.0	58.6	<b>12D580</b>	6760.00	QDS07	3/16	1A	P <sup>o</sup>	9 3/8	8	1500

P.D. for “D” Belts = O.D.

\*Note: M-N-P-W bushings are standard mounting only with these parts.

Type of sheave “T”: A = arms; B = block; W = web



TYPE 1

### Narrow 3V, 5V & 8V



**Features:** Complete line in stock, including larger models. Higher HP than classical model; compact, light-weight drives. Designed for use with QD bushing.  
 3V model from 1-6; 8; 10 grooves.  
 5V model from 2-6; 8; 10 grooves.  
 8V model from 4-6; 8; 10; 12 grooves.

**Note:** DO NOT use these gray cast iron sheaves with rim speeds in excess of 6500 feet per minute.

**How to order: Example: 5-5V11.30;** 5 = Number of grooves. 5V = Sheave section ("5V"). 11.30 = outside diameter (11.30")

## 3V SECTION 1 GROOVE

### Dimensions

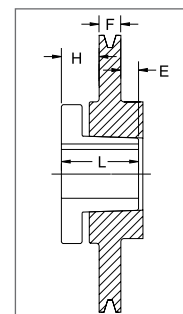
O.D.	Datum dia.	Part No.	List Price	Mult. Sym.	F = 11/16 up to 10.60 O.D. incl. and 13/16 inch thereafter					
					H	Type	B	L	E	Approx. Wt. (lbs)
2.20	2.15	1-3V2.20 <sup>1</sup> *	20.00	QDS08	1 1/64	10B	JA	1	45/64	0.8
2.35	2.30	1-3V2.35 <sup>1</sup> *	20.80	QDS08	1 1/64	10B	JA	1	45/64	0.85
2.50	2.45	1-3V2.50 <sup>1</sup> *	21.60	QDS08	1 1/64	10B	JA	1	45/64	0.92
2.65	2.60	1-3V2.65	22.40	QDS08	29/64	6B	JA	1	9/64	0.5
2.80	2.75	1-3V2.80	23.20	QDS08	29/64	6B	JA	1	9/64	0.7
3.00	2.95	1-3V3.00	24.00	QDS08	29/64	6B	JA	1	9/64	0.7
3.15	3.10	1-3V3.15	25.20	QDS08	29/64	6B	JA	1	9/64	0.7
3.35	3.30	1-3V3.35	26.40	QDS08	29/64	6B	JA	1	9/64	1.1
3.65	3.60	1-3V3.65	27.60	QDS08	5/8	11B	SH	1 1/4	1/16	1.3
4.12	4.07	1-3V4.12	28.80	QDS08	5/8	11B	SH	1 1/4	1/16	1.8
4.50	4.45	1-3V4.50	30.00	QDS08	5/8	11B	SH	1 1/4	1/16	2.2
4.75	4.70	1-3V4.75	32.00	QDS08	5/8	11B	SH	1 1/4	1/16	2.2
5.00	4.95	1-3V5.00	34.00	QDS08	5/8	11B	SH	1 1/4	1/16	2.9
5.30	5.25	1-3V5.30	36.00	QDS08	5/8	11B	SH	1 1/4	1/16	3.3
5.60	5.55	1-3V5.60	38.00	QDS08	5/8	11B	SH	1 1/4	1/16	3.7
6.00	5.95	1-3V6.00	40.00	QDS08	5/8	11W	SH	1 1/4	1/16	3.9
6.50	6.45	1-3V6.50	44.00	QDS08	5/8	11W	SH	1 1/4	1/16	4.9
6.90	6.85	1-3V6.90	52.00	QDS08	5/8	11W	SH	1 1/4	1/16	5.5
8.00	7.95	1-3V8.00	60.00	QDS08	11/16	11A	SDS	1 5/16	1/16	5.1
10.60	10.55	1-3V10.60	100.00	QDS08	11/16	11A	SDS	1 5/16	1/16	8.6
14.00	13.95	1-3V14.00	120.00	QDS08	13/16	5A	SK	1 7/8	1/4	15.3
19.00	18.95	1-3V19.00	200.00	QDS08	29/32	3A	SK	1 7/8	5/32	18.3

P.D. for "3V" Belts = O.D.

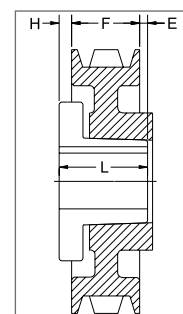
<sup>1</sup> Reverse mount only.

\* Mounting bolts are supplied by Baldor with these parts.

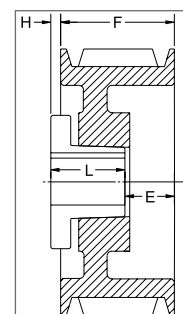
Type of sheave "T": A = arms; B = block; W = web



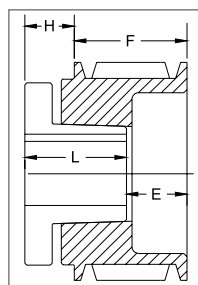
TYPE 3



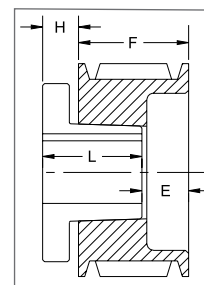
TYPE 5



TYPE 6



TYPE 10



TYPE 11



### 3V SECTION

### 2 GROOVES

#### Dimensions

O.D.	Datum dia.	Part No.	List Price	Mult. Sym.	F = 1 3/32 inches					
					H	Type	B	L	E	Approx. Wt. (lbs)
2.20	2.15	<b>2-3V2.20<sup>1*</sup></b>	28.80	QDS09	1 1/64	10B	JA	1	1 7/64	0.9
2.35	2.30	<b>2-3V2.35<sup>1*</sup></b>	29.60	QDS08	1 1/64	10B	JA	1	1 7/64	1.0
2.50	2.45	<b>2-3V2.50<sup>1*</sup></b>	30.40	QDS08	1 1/64	10B	JA	1	1 7/64	1.1
2.65	2.60	<b>2-3V2.65<sup>2</sup></b>	31.20	QDS08	25/64	6B	JA	1	31/64	0.8
2.80	2.75	<b>2-3V2.80<sup>2</sup></b>	32.00	QDS08	25/64	6B	JA	1	31/64	1.0
3.00	2.95	<b>2-3V3.00<sup>2</sup></b>	32.80	QDS08	25/64	6B	JA	1	31/64	1.2
3.15	3.10	<b>2-3V3.15<sup>2</sup></b>	34.00	QDS08	25/64	6B	JA	1	31/64	1.4
3.35	3.30	<b>2-3V3.35<sup>2</sup></b>	35.20	QDS08	1/2	6B	SH	1 1/4	11/32	1.2
3.65	3.60	<b>2-3V3.65<sup>2</sup></b>	36.40	QDS08	1/2	6B	SH	1 1/4	11/32	1.6
4.12	4.07	<b>2-3V4.12</b>	40.00	QDS08	9/32	6B	SH	1 1/4	1/8	2.2
4.50	4.45	<b>2-3V4.50</b>	44.00	QDS08	9/32	6B	SH	1 1/4	1/8	2.7
4.75	4.70	<b>2-3V4.75</b>	48.00	QDS08	9/32	6B	SH	1 1/4	1/8	3.2
5.00	4.95	<b>2-3V5.00</b>	52.00	QDS08	9/32	6B	SH	1 1/4	1/8	3.7
5.30	5.25	<b>2-3V5.30</b>	54.00	QDS08	9/32	6B	SH	1 1/4	1/8	4.2
5.60	5.55	<b>2-3V5.60</b>	56.00	QDS08	9/32	6B	SH	1 1/4	1/8	4.6
6.00	5.95	<b>2-3V6.00</b>	58.00	QDS08	9/32	6W	SH	1 1/4	1/8	5.0
6.50	6.45	<b>2-3V6.50</b>	64.00	QDS08	3/8	6W	SDS	1 5/16	5/32	5.8
6.90	6.85	<b>2-3V6.90</b>	70.00	QDS08	3/8	6W	SDS	1 5/16	5/32	6.4
8.00	7.95	<b>2-3V8.00</b>	72.00	QDS08	3/8	6A	SDS	1 5/16	5/32	6.6
10.60	10.55	<b>2-3V10.60</b>	110.00	QDS08	5/8	5A	SK	1 7/8	5/32	11.7
14.00	13.95	<b>2-3V14.00</b>	174.00	QDS08	5/8	5A	SK	1 7/8	5/32	17.9
19.00	18.95	<b>2-3V19.00</b>	204.00	QDS08	13/16	11A	SK	1 7/8	1/32	26.6
25.00	24.95	<b>2-3V25.00</b>	360.00	QDS08	13/16	5A	SF	2	3/32	33.4

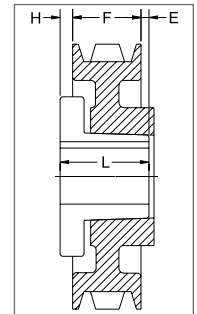
P.D. for "3V" Belts = O.D

<sup>1</sup> Reverse mount only.

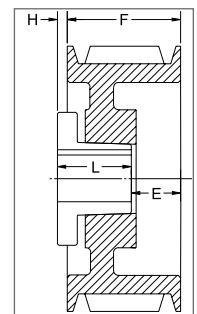
<sup>2</sup> This sheave can only be reverse mounted with standard bushing bolts. Specials bolts (not provided by Baldor) are required for standard mount.

\* Mounting bolts are supplied by Baldor with these parts.

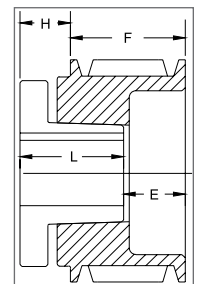
Type of sheave "T": A = arms; B = block; W = web



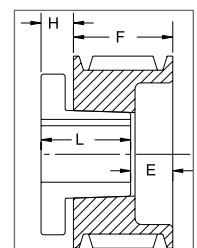
TYPE 5



TYPE 6



TYPE 10



TYPE 11

Gearmotors and Gear Products

PT Components

Motor Accessories

Grinders

Generators

Servo Motors and Controls

Mod Express

Baldor Education Workshops

Classifications and Sales Offices

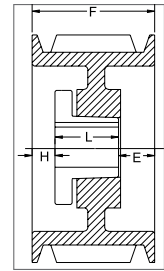
EISA Compliance Table & Index

### 3V SECTION

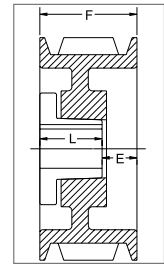
#### 3 GROOVES

##### Dimensions

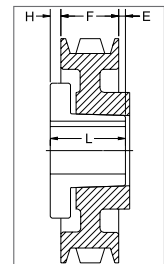
O.D.	Datum dia.	Part No.	List Price	Mult. Sym.	F = 1 1/2 inches					Approx. Wt. (lbs)
					H	Type	B	L	E	
2.65	2.60	3-3V2.65 <sup>2</sup>	36.80	QDS08	25/64	6B	JA	1	57/64	1.1
2.80	2.75	3-3V2.80 <sup>2</sup>	37.60	QDS08	25/64	6B	JA	1	57/64	1.3
3.00	2.95	+3-3V3.00 <sup>1*</sup>	38.80	QDS08	1 1/32	10B	SH	1 1/4	1 9/32	1.6
3.15	3.10	+3-3V3.15 <sup>1*</sup>	40.00	QDS08	1	10B	SH	1 1/4	1 1/4	2.0
3.35	3.30	3-3V3.35 <sup>2</sup>	41.20	QDS08	9/16	6B	SH	1 1/4	13/16	1.8
3.65	3.60	3-3V3.65 <sup>2</sup>	42.40	QDS08	9/16	6B	SH	1 1/4	13/16	2.4
4.12	4.07	3-3V4.12	44.00	QDS08	0	4B	SH	1 1/4	1/4	2.7
4.50	4.45	3-3V4.50	50.00	QDS08	0	4B	SDS	1 5/16	3/16	3.0
4.75	4.70	3-3V4.75	54.00	QDS08	0	4B	SDS	1 5/16	3/16	3.7
5.00	4.95	3-3V5.00	58.00	QDS08	0	4B	SDS	1 5/16	3/16	4.2
5.30	5.25	3-3V5.30	60.00	QDS08	0	4B	SDS	1 5/16	3/16	4.7
5.60	5.55	3-3V5.60	62.00	QDS08	0	4B	SDS	1 5/16	3/16	5.2
6.00	5.95	3-3V6.00	66.00	QDS08	0	4B	SDS	1 5/16	3/16	6.2
6.50	6.45	3-3V6.50	68.00	QDS08	0	4W	SDS	1 5/16	3/16	6.7
6.90	6.85	3-3V6.90	80.00	QDS08	0	4W	SDS	1 5/16	3/16	7.5
8.00	7.95	3-3V8.00	86.00	QDS08	5/8	6A	SK	1 7/8	1/4	9.8
10.60	10.55	3-3V10.60	126.00	QDS08	5/8	6A	SK	1 7/8	1/4	14.0
14.00	13.95	3-3V14.00	184.00	QDS08	5/8	6A	SK	1 7/8	1/4	19.4
19.00	18.95	3-3V19.00	216.00	QDS08	13/16	11A	SF	2	5/16	32.1
25.00	24.95	3-3V25.00	400.00	QDS08	13/16	11A	SF	2	5/16	38.5
33.50	33.45	3-3V33.50	720.00	QDS09	23/32	6A	SF	2	7/32	79.3



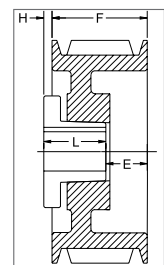
TYPE 1



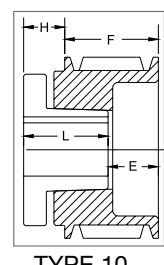
TYPE 4



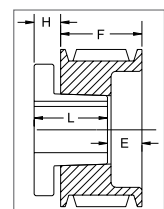
TYPE 5



TYPE 6



TYPE 10



TYPE 11

### 4 GROOVES

##### Dimensions

O.D.	Datum dia.	Part No.	List Price	Mult. Sym.	F = 1 29/32 inches					Approx. Wt. (lbs)
					H	Type	B	L	E	
2.65	2.60	4-3V2.65 <sup>2</sup>	42.40	QDS08	25/64	6B	JA	1	1 19/64	1.4
2.80	2.75	4-3V2.80 <sup>2</sup>	42.80	QDS08	25/64	6B	JA	1	1 19/64	1.6
3.00	2.95	4-3V3.00 <sup>1*</sup>	43.20	QDS08	1 1/32	10B	SH	1 1/4	1 11/16	2.3
3.15	3.10	4-3V3.15 <sup>1*</sup>	44.80	QDS08	1	10B	SH	1 1/4	1 21/32	2.7
3.35	3.30	4-3V3.35 <sup>2</sup>	46.40	QDS08	1/2	6B	SH	1 1/4	1 5/32	2.3
3.65	3.60	4-3V3.65 <sup>2</sup>	48.00	QDS08	1/2	6B	SH	1 1/4	1 5/32	3.1
4.12	4.07	4-3V4.12	50.00	QDS08	3/16	1B	SH	1 1/4	15/32	3.2
4.50	4.45	4-3V4.50	52.00	QDS08	3/16	1B	SDS	1 5/16	13/32	3.4
4.75	4.70	4-3V4.75	56.00	QDS08	1/8	1B	SDS	1 5/16	15/32	4.4
5.00	4.95	4-3V5.00	60.00	QDS08	1/8	1B	SDS	1 5/16	15/32	5.0
5.30	5.25	4-3V5.30	64.00	QDS08	1/8	1B	SDS	1 5/16	15/32	6.0
5.60	5.55	4-3V5.60	66.00	QDS08	1/8	1B	SDS	1 5/16	15/32	6.2
6.00	5.95	4-3V6.00	70.00	QDS08	1/4	6B	SK	1 7/8	9/32	7.8
6.50	6.45	4-3V6.50	72.00	QDS08	1/4	6B	SK	1 7/8	9/32	9.5
6.90	6.85	4-3V6.90	82.00	QDS08	1/4	6B	SK	1 7/8	9/32	11.1
8.00	7.95	4-3V8.00	88.00	QDS08	1/4	6A	SK	1 7/8	9/32	11.2
10.60	10.55	4-3V10.60	128.00	QDS08	1/4	6A	SK	1 7/8	9/32	16.0
14.00	13.95	4-3V14.00	196.00	QDS08	1/4	6A	SK	1 7/8	9/32	25.0
19.00	18.95	4-3V19.00	252.00	QDS08	1/16	5A	SF	2	1/32	39.8
25.00	24.95	4-3V25.00	412.00	QDS08	7/16	6A	SF	2	11/32	51.1
33.50	33.45	4-3V33.50	780.00	QDS09	25/32	6A	E	2 5/8	1/16	94.1

P.D. for "3V" Belts = O.D.      +For 3-3V3.00: F=1.912"      +For 3-3V3.15: F=1 7/8"

<sup>1</sup> Reverse mount only.

<sup>2</sup> This sheave can only be reverse mounted with standard bushing bolts.

Specials bolts (not provided by Baldor) are required for standard mount.

\* Mounting bolts are supplied by Baldor with these parts.

Type of sheave "T": A = arms; B = block; W = web

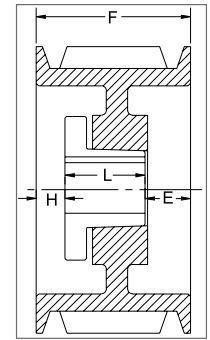


### 3V SECTION

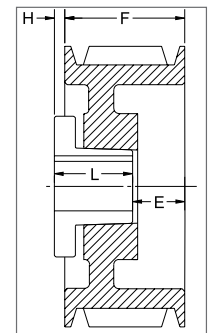
#### 5 GROOVES

##### Dimensions

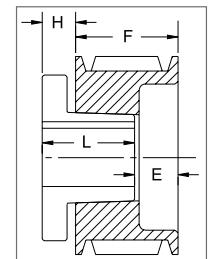
O.D.	Datum dia.	Part No.	List Price	Mult. Sym.	F = 2 5/16 inches					
					H	Type	B	L	E	Approx. Wt. (lbs)
4.75	4.70	<b>5-3V4.75</b>	62.00	QDS08	1/8	1B	SDS	1 5/16	7/8	4.7
5.00	4.95	<b>5-3V5.00</b>	68.00	QDS08	1/8	1B	SDS	1 5/16	7/8	6.0
5.30	5.25	<b>5-3V5.30</b>	70.00	QDS08	1/16	1B	SK	1 7/8	3/8	6.2
5.60	5.55	<b>5-3V5.60</b>	76.00	QDS08	1/32	1B	SK	1 7/8	13/32	7.4
6.00	5.95	<b>5-3V6.00</b>	78.00	QDS08	1/16	1B	SK	1 7/8	3/8	8.8
6.50	6.45	<b>5-3V6.50</b>	80.00	QDS08	1/16	1B	SK	1 7/8	3/8	9.9
6.90	6.85	<b>5-3V6.90</b>	88.00	QDS08	1/32	1B	SK	1 7/8	13/32	11.5
8.00	7.95	<b>5-3V8.00</b>	94.00	QDS08	1/16	1W	SK	1 7/8	3/8	14.5
10.60	10.55	<b>5-3V10.60</b>	130.00	QDS08	5/32	1A	SK	1 7/8	9/32	19.3
14.00	13.95	<b>5-3V14.00</b>	232.00	QDS08	3/32	6A	SF	2	13/32	26.5
19.00	18.95	<b>5-3V19.00</b>	292.00	QDS08	3/32	1A	SF	2	7/32	33.9
25.00	24.95	<b>5-3V25.00</b>	436.00	QDS08	7/16	6A	E	2 5/8	1/8	60.7
33.50	33.45	<b>5-3V33.50</b>	850.00	QDS09	3/8	6A	E	2 5/8	1/16	107.0



TYPE 1



TYPE 6



TYPE 11

### 6 GROOVES

##### Dimensions

O.D.	Datum dia.	Part No.	List Price	Mult. Sym.	F = 2 23/32 inches					
					H	Type	B	L	E	Approx. Wt. (lbs)
4.75	4.70	<b>6-3V4.75<sup>1*</sup></b>	84.00	QDS09	13/16	11B	SK	1 7/8	1 21/32	5.8
5.00	4.95	<b>6-3V5.00<sup>1</sup></b>	86.00	QDS09	13/16	11B	SK	1 7/8	1 21/32	7.1
5.30	5.25	<b>6-3V5.30</b>	88.00	QDS09	15/32	1B	SK	1 7/8	3/8	6.8
5.60	5.55	<b>6-3V5.60</b>	90.00	QDS09	7/16	1B	SK	1 7/8	13/32	8.2
6.00	5.95	<b>6-3V6.00</b>	92.00	QDS09	7/16	1B	SK	1 7/8	13/32	9.7
6.50	6.45	<b>6-3V6.50</b>	94.00	QDS09	1/16	1B	SK	1 7/8	25/32	10.8
6.90	6.85	<b>6-3V6.90</b>	112.00	QDS09	7/16	1B	SK	1 7/8	13/32	12.2
8.00	7.95	<b>6-3V8.00</b>	124.00	QDS09	1/16	1W	SK	1 7/8	25/32	16.0
10.60	10.55	<b>6-3V10.60</b>	144.00	QDS09	5/32	1A	SF	2	9/16	18.7
14.00	13.95	<b>6-3V14.00</b>	248.00	QDS09	3/32	1A	SF	2	5/8	30.5
19.00	18.95	<b>6-3V19.00</b>	308.00	QDS09	1/32	6A	E	2 5/8	1/8	47.6
25.00	24.95	<b>6-3V25.00</b>	452.00	QDS09	1/32	6A	E	2 5/8	1/8	66.9
33.50	33.45	<b>6-3V33.50</b>	900.00	QDS09	1/32	1A	E	2 5/8	1/16	121.6

P.D. for "3V" Belts = O.D.

<sup>1</sup> Reverse mount only.

\* Mounting bolts are supplied by Baldor with these parts.

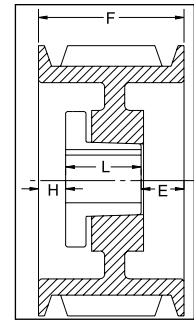
Type of sheave "T": A = arms; B = block; W = web

## 3V SECTION

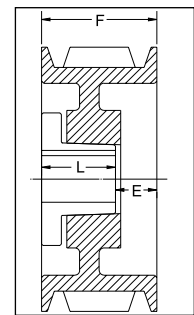
### 8 GROOVES

#### Dimensions

O.D.	Datum dia.	Part No.	List Price	Mult. Sym.	F = 3 17/32 inches					
					H	Type	B	L	E	Approx. Wt. (lbs)
4.75	4.70	8-3V4.75 <sup>1</sup>	106.00	QDS09	13/16	11B	SK	1 7/8	2 15/32	7.2
5.00	4.95	8-3V5.00 <sup>1</sup>	110.00	QDS09	13/16	11B	SK	1 7/8	2 15/32	8.9
5.30	5.25	8-3V5.30	124.00	QDS09	7/16	1B	SK	1 7/8	1 7/32	8.3
5.60	5.55	8-3V5.60	126.00	QDS09	7/16	1B	SK	1 7/8	1 7/32	9.5
6.00	5.95	8-3V6.00	128.00	QDS09	7/16	1B	SK	1 7/8	1 7/32	11.7
6.50	6.45	8-3V6.50	130.00	QDS09	7/16	1B	SK	1 7/8	1 7/32	13.6
6.90	6.85	8-3V6.90	132.00	QDS09	7/16	1B	SK	1 7/8	1 7/32	15.4
8.00	7.95	8-3V8.00	148.00	QDS09	5/16	1W	SF	2	1 7/32	19.2
10.60	10.55	8-3V10.60	210.00	QDS09	5/32	1A	SF	2	1 3/8	22.5
14.00	13.95	8-3V14.00	284.00	QDS09	1/8	6A	E	2 5/8	1 1/32	42.9
19.00	18.95	8-3V19.00	444.00	QDS09	1/8	6A	E	2 5/8	1 1/32	66.6
25.00	24.95	8-3V25.00	520.00	QDS09	3/16	6A	E	2 5/8	1 3/32	92.2
33.50	33.45	8-3V33.50	980.00	QDS09	15/32	6A	F	3 5/8	3/8	153.0



TYPE 1

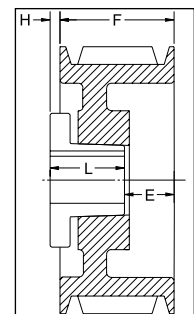


TYPE 4

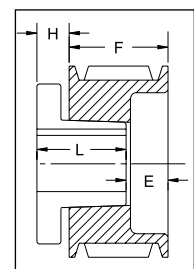
## 10 GROOVES

#### Dimensions

O.D.	Datum dia.	Part No.	List Price	Mult. Sym.	F = 4 11/32 inches					
					H	Type	B	L	E	Approx. Wt. (lbs)
4.75	4.70	10-3V4.75 <sup>1</sup>	126.00	QDS09	13/16	11B	SK	1 7/8	3 9/32	8.6
5.00	4.95	10-3V5.00 <sup>1</sup>	128.00	QDS09	13/16	11B	SK	1 7/8	3 9/32	10.7
5.30	5.25	10-3V5.30	130.00	QDS09	9/16	1B	SK	1 7/8	1 29/32	9.6
5.60	5.55	10-3V5.60	132.00	QDS09	9/16	1B	SK	1 7/8	1 29/32	11.9
6.00	5.95	10-3V6.00	134.00	QDS09	9/16	1B	SK	1 7/8	1 29/32	13.45
6.50	6.45	10-3V6.50	144.00	QDS09	9/16	1B	SK	1 7/8	1 29/32	14.1
6.90	6.85	10-3V6.90	146.00	QDS09	9/16	1B	SK	1 7/8	1 29/32	17.5
8.00	7.95	10-3V8.00	194.00	QDS09	11/16	1W	SF	2	1 21/32	21.55
10.60	10.55	10-3V10.60	250.00	QDS09	0	4W	E	2 5/8	1 23/32	31.6
14.00	13.95	10-3V14.00	320.00	QDS09	0	4A	E	2 5/8	1 23/32	41.6
19.00	18.95	10-3V19.00	472.00	QDS09	0	4A	E	2 5/8	1 23/32	74.0
25.00	24.95	10-3V25.00	596.00	QDS09	1/16	6A	F	3 5/8	25/32	105.0
33.50	33.45	10-3V33.50	1100.00	QDS09	1/16	6A	F	3 5/8	25/32	180.0



TYPE 6



TYPE 11

P.D. for "3V" Belts = O.D.

<sup>1</sup> Reverse mount only.

Type of sheave "T": A = arms; B = block; W = web

### 5V SECTION

### 2 GROOVES

#### Dimensions

O.D.	Datum dia.	Part No.	List Price	Mult. Sym.	F = 1 11/16 inches					
					H	Type	B	L	E	Approx. Wt. (lbs)
4.40	4.30	2-5V4.40 <sup>2</sup>	73.00	QDS08	15/32	6B	SH	1 1/4	29/32	3.4
4.65	4.55	2-5V4.65 <sup>1*</sup>	79.00	QDS08	11/16	11B	SDS	1 5/16	1 1/16	3.6
4.90	4.80	2-5V4.90	85.00	QDS08	7/32	4B	SDS	1 5/16	3/8	3.9
5.20	5.10	2-5V5.20	91.00	QDS08	7/32	6B	SDS	1 5/16	19/32	4.8
5.50	5.40	2-5V5.50	97.00	QDS08	7/32	6B	SDS	1 5/16	19/32	5.5
5.90	5.80	2-5V5.90	103.00	QDS08	7/32	6B	SDS	1 5/16	19/32	6.5
6.30	6.20	2-5V6.30	109.00	QDS08	7/16	6B	SK	1 7/8	1/4	9.6
6.70	6.60	2-5V6.70	115.00	QDS08	7/16	6B	SK	1 7/8	1/4	9.3
7.10	7.00	2-5V7.10	120.00	QDS08	3/8	6B	SK	1 7/8	3/16	10.6
7.50	7.40	2-5V7.50	122.00	QDS08	3/8	6B	SK	1 7/8	3/16	12.1
8.00	7.90	2-5V8.00	124.00	QDS08	3/8	6B	SK	1 7/8	3/16	14.3
8.50	8.40	2-5V8.50	128.00	QDS08	3/8	6B	SK	1 7/8	3/16	16.2
9.00	8.90	2-5V9.00	136.00	QDS08	3/8	6B	SK	1 7/8	3/16	18.5
9.25	9.15	2-5V9.25	144.00	QDS08	3/8	6W	SK	1 7/8	3/16	17.0
9.75	9.65	2-5V9.75	148.00	QDS08	3/8	6W	SK	1 7/8	3/16	18.2
10.30	10.20	2-5V10.30	152.00	QDS08	3/8	6W	SK	1 7/8	3/16	18.0
10.90	10.80	2-5V10.90	156.00	QDS08	3/8	6W	SK	1 7/8	3/16	20.8
11.30	11.20	2-5V11.30	160.00	QDS08	3/8	6A	SK	1 7/8	3/16	16.9
11.80	11.70	2-5V11.80	162.00	QDS08	3/8	6A	SK	1 7/8	3/16	18.6
12.50	12.40	2-5V12.50	164.00	QDS08	3/8	6A	SF	2	1/16	20.8
13.20	13.10	2-5V13.20	176.00	QDS08	3/8	6A	SF	2	1/16	22.0
14.00	13.90	2-5V14.00	230.00	QDS08	3/8	6A	SF	2	1/16	24.8
15.00	14.90	2-5V15.00	234.00	QDS08	3/8	6A	SF	2	1/16	26.6
16.00	15.90	2-5V16.00	252.00	QDS08	3/8	6A	SF	2	1/16	34.9
18.70	18.60	2-5V18.70	300.00	QDS08	3/8	6A	SF	2	1/16	43.8
21.20	21.10	2-5V21.20	416.00	QDS08	3/8	6A	SF	2	1/16	43.8
23.60	23.50	2-5V23.60	480.00	QDS08	5/16	5A	E	2 5/8	5/8	61.7
28.00	27.90	2-5V28.00	520.00	QDS08	5/16	5A	E	2 5/8	5/8	73.0

P.D. for "5V" Belts = O.D.

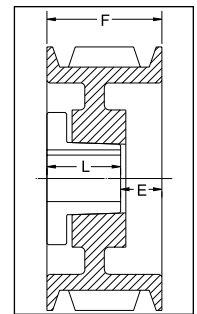
<sup>1</sup> Reverse mount only.

<sup>2</sup> This sheave can only be reverse mounted with standard bushing bolts.

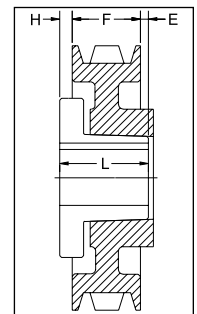
Specials bolts (not provided by Baldor) are required for standard mount.

\* Mounting bolts are supplied by Baldor with these parts.

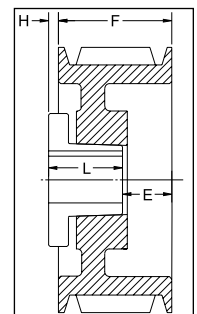
Type of sheave "T": A = arms; B = block; W = web



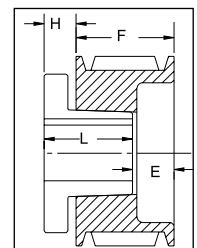
TYPE 4



TYPE 5



TYPE 6



TYPE 11

Gearmotors and Gear Products

PT Components

Motor Accessories

Grinders

Generators

Servo Motors and Controls

Mod Express

Baldor Education Workshops

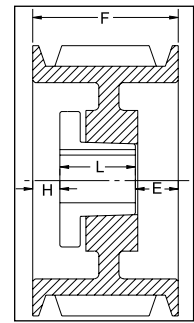
Classifications and Sales Offices

EISA Compliance Table & Index

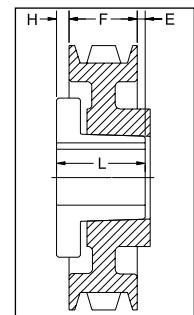
## 5V SECTION 3 GROOVES

### Dimensions

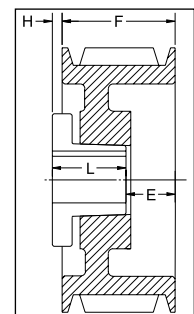
O.D.	Datum dia.	Part No.	List Price	Mult. Sym.	F = 2 3/8 inches					Approx. Wt. (lbs)
					H	Type	B	L	E	
4.40	4.30	<b>3-5V4.40<sup>1</sup>*</b>	79.00	QDS08	11/16	11B	SDS	1 5/16	1 3/4	4.3
4.65	4.55	<b>3-5V4.65<sup>1</sup>*</b>	85.00	QDS08	11/16	11B	SDS	1 5/16	1 3/4	5.2
4.90	4.80	<b>3-5V4.90<sup>1</sup>*</b>	91.00	QDS08	3/8	1B	SDS	1 5/16	11/16	4.9
5.20	5.10	<b>3-5V5.20</b>	97.00	QDS08	3/8	1B	SDS	1 5/16	11/16	6.1
5.50	5.40	<b>3-5V5.50</b>	103.00	QDS08	5/16	1B	SDS	1 5/16	3/4	6.4
5.90	5.80	<b>3-5V5.90</b>	109.00	QDS08	5/16	1B	SDS	1 5/16	3/4	8.2
6.30	6.20	<b>3-5V6.30</b>	115.00	QDS08	1/4	1B	SK	1 7/8	1/4	9.0
6.70	6.60	<b>3-5V6.70</b>	121.00	QDS08	1/4	1B	SK	1 7/8	1/4	12.7
7.10	7.00	<b>3-5V7.10</b>	128.00	QDS08	1/16	6B	SF	2	7/16	12.3
7.50	7.40	<b>3-5V7.50</b>	134.00	QDS08	1/16	6B	SF	2	7/16	13.8
8.00	7.90	<b>3-5V8.00</b>	142.00	QDS08	1/16	6B	SF	2	7/16	16.2
8.50	8.40	<b>3-5V8.50</b>	146.00	QDS08	1/16	6B	SF	2	7/16	18.3
9.00	8.90	<b>3-5V9.00</b>	150.00	QDS08	1/16	6B	SF	2	7/16	20.6
9.25	9.15	<b>3-5V9.25</b>	156.00	QDS08	1/16	6W	SF	2	7/16	20.2
9.75	9.65	<b>3-5V9.75</b>	162.00	QDS08	1/16	6W	SF	2	7/16	20.8
10.30	10.20	<b>3-5V10.30</b>	172.00	QDS08	1/16	6W	SF	2	7/16	20.5
10.90	10.80	<b>3-5V10.90</b>	176.00	QDS08	1/16	6W	SF	2	7/16	23.4
11.30	11.20	<b>3-5V11.30</b>	180.00	QDS08	1/16	6A	SF	2	7/16	22.7
11.80	11.70	<b>3-5V11.80</b>	194.00	QDS08	1/16	6A	SF	2	7/16	24.4
12.50	12.40	<b>3-5V12.50</b>	202.00	QDS08	11/16	6A	E	2 5/8	7/16	31.1
13.20	13.10	<b>3-5V13.20</b>	212.00	QDS08	11/16	6A	E	2 5/8	7/16	32.2
14.00	13.90	<b>3-5V14.00</b>	258.00	QDS08	11/16	6A	E	2 5/8	7/16	35.5
15.00	14.90	<b>3-5V15.00</b>	274.00	QDS08	11/16	6A	E	2 5/8	7/16	38.3
16.00	15.90	<b>3-5V16.00</b>	282.00	QDS08	11/16	6A	E	2 5/8	7/16	40.1
18.70	18.60	<b>3-5V18.70</b>	328.00	QDS08	5/16	6A	E	2 5/8	1/16	46.6
21.20	21.10	<b>3-5V21.20</b>	440.00	QDS08	11/16	6A	E	2 5/8	7/16	57.2
23.60	23.50	<b>3-5V23.60</b>	500.00	QDS08	11/32	6A	E	2 5/8	3/32	73.0
28.00	27.90	<b>3-5V28.00</b>	540.00	QDS08	5/16	6A	E	2 5/8	1/16	97.0
31.50	31.40	<b>3-5V31.50</b>	920.00	QDS10	31/32	5A	F	3 5/8	9/32	128.0
37.50	37.40	<b>3-5V37.50</b>	1180.00	QDS10	31/32	5A	F	3 5/8	9/32	158.0
50.00	49.90	<b>3-5V50.00</b>	1780.00	QDS10	31/32	5A	F	3 5/8	9/32	218.0



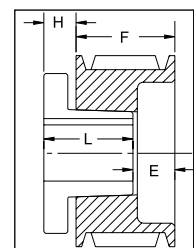
TYPE 1



TYPE 5



TYPE 6



TYPE 11

P.D. for "5V" Belts = O.D.

<sup>1</sup> Reverse mount only.

\* Mounting bolts are supplied by Baldor with these parts.

Type of sheave "T": A = arms; B = block; W = web



### 5V SECTION

### 4 GROOVES

#### Dimensions

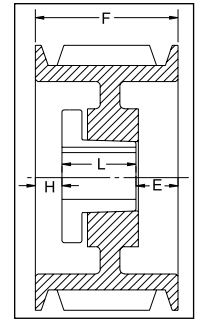
O.D.	Datum dia.	Part No.	List Price	Mult. Sym.	F = 3 1/16 inches					
					H	Type	B	L	E	Approx. Wt. (lbs)
4.40	4.30	<b>4-5V4.40<sup>1</sup>*</b>	92.00	QDS08	11/16	11B	SD	1 13/16	1 15/16	5.4
4.65	4.55	<b>4-5V4.65<sup>1</sup>*</b>	98.00	QDS08	11/16	11B	SD	1 13/16	1 15/16	6.1
4.90	4.80	<b>4-5V4.90*</b>	104.00	QDS08	5/8	1B	SD	1 13/16	5/8	6.5
5.20	5.10	<b>4-5V5.20</b>	110.00	QDS08	5/8	1B	SD	1 13/16	5/8	8.2
5.50	5.40	<b>4-5V5.50</b>	116.00	QDS08	5/8	1B	SD	1 13/16	5/8	9.4
5.90	5.80	<b>4-5V5.90</b>	122.00	QDS08	5/8	1B	SD	1 13/16	5/8	10.0
6.30	6.20	<b>4-5V6.30</b>	128.00	QDS08	1/2	1B	SK	1 7/8	11/16	11.7
6.70	6.60	<b>4-5V6.70</b>	134.00	QDS08	1/2	1B	SK	1 7/8	11/16	13.4
7.10	7.00	<b>4-5V7.10</b>	140.00	QDS08	0	4B	SF	2	1 1/16	14.5
7.50	7.40	<b>4-5V7.50</b>	148.00	QDS08	0	4B	SF	2	1 1/16	16.3
8.00	7.90	<b>4-5V8.00</b>	156.00	QDS08	0	4B	E	2 5/8	7/16	17.9
8.50	8.40	<b>4-5V8.50</b>	162.00	QDS08	0	4B	E	2 5/8	7/16	21.7
9.00	8.90	<b>4-5V9.00</b>	164.00	QDS08	0	4B	E	2 5/8	7/16	24.4
9.25	9.15	<b>4-5V9.25</b>	168.00	QDS08	0	4B	E	2 5/8	7/16	26.2
9.75	9.65	<b>4-5V9.75</b>	196.00	QDS08	3/8	1B	E	2 5/8	1/16	29.4
10.30	10.20	<b>4-5V10.30</b>	200.00	QDS08	0	4W	E	2 5/8	7/16	28.6
10.90	10.80	<b>4-5V10.90</b>	206.00	QDS08	0	4W	E	2 5/8	7/16	30.3
11.30	11.20	<b>4-5V11.30</b>	224.00	QDS08	3/8	1W	E	2 5/8	1/16	30.9
11.80	11.70	<b>4-5V11.80</b>	226.00	QDS08	0	4W	E	2 5/8	7/16	32.5
12.50	12.40	<b>4-5V12.50</b>	234.00	QDS08	3/8	1A	E	2 5/8	1/16	35.0
13.20	13.10	<b>4-5V13.20</b>	256.00	QDS08	0	4A	E	2 5/8	7/16	37.4
14.00	13.90	<b>4-5V14.00</b>	290.00	QDS08	0	4A	E	2 5/8	7/16	41.1
15.00	14.90	<b>4-5V15.00</b>	320.00	QDS08	0	4A	E	2 5/8	7/16	43.7
16.00	15.90	<b>4-5V16.00</b>	340.00	QDS08	0	4A	E	2 5/8	7/16	46.9
18.70	18.60	<b>4-5V18.70</b>	380.00	QDS08	3/16	1A	E	2 5/8	1/4	58.5
21.20	21.10	<b>4-5V21.20</b>	512.00	QDS08	3/16	1A	E	2 5/8	1/4	77.0
23.60	23.50	<b>4-5V23.60</b>	546.00	QDS08	21/32	6A	F	3 5/8	3/32	98.0
28.00	27.90	<b>4-5V28.00</b>	620.00	QDS08	21/32	6A	F	3 5/8	3/32	118.0
31.50	31.40	<b>4-5V31.50</b>	970.00	QDS10	11/32	5A	F	3 5/8	7/32	141.0
37.50	37.40	<b>4-5V37.50</b>	1240.00	QDS10	21/32	6A	F	3 5/8	3/32	178.0
50.00	49.90	<b>4-5V50.00</b>	1880.00	QDS10	15/16	5A	J	4 1/2	1/2	269.0

P.D. for "5V" Belts = O.D.

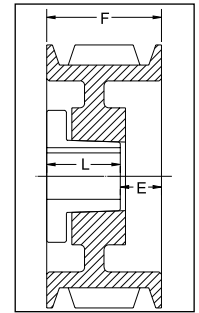
<sup>1</sup> Reverse mount only.

\* Mounting bolts are supplied by Baldor with these parts.

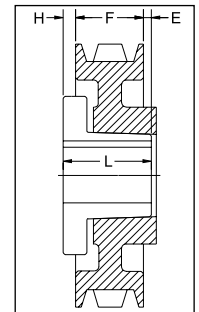
Type of sheave "T": A = arms; B = block; W = web



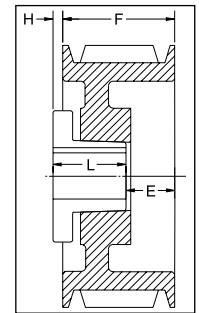
TYPE 1



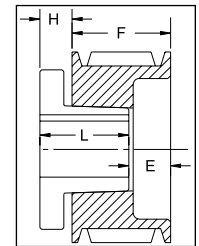
TYPE 4



TYPE 5



TYPE 6



TYPE 11

Gearmotors and Gear Products

PT Components

Motor Accessories

Grinders

Generators

Servo Motors and Controls

Mod Express

Baldor Education Workshops

Classifications and Sales Offices

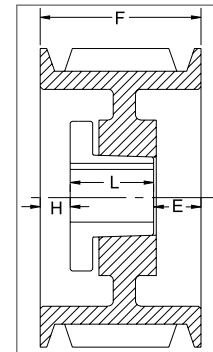
EISA Compliance Table & Index

### 5V SECTION

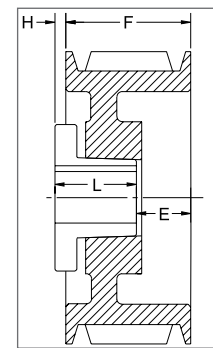
### 5 GROOVES

#### Dimensions

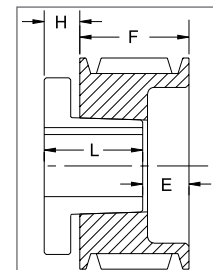
O.D.	Datum dia.	Part No.	List Price	Mult. Sym.	F = 3 3/4 inches					
					H	Type	B	L	E	Approx. Wt. (lbs)
4.40	4.30	5-5V4.40 <sup>1*</sup>	104.00	QDS08	11/16	11B	SD	1 13/16	2 5/8	6.3
4.65	4.55	5-5V4.65 <sup>1*</sup>	110.00	QDS08	11/16	11B	SD	1 13/16	2 5/8	7.0
4.90	4.80	5-5V4.90*	116.00	QDS08	5/8	1B	SD	1 13/16	1 5/16	7.9
5.20	5.10	5-5V5.20	122.00	QDS08	5/8	1B	SD	1 13/16	1 5/16	9.7
5.50	5.40	5-5V5.50	128.00	QDS08	5/8	1B	SD	1 13/16	1 5/16	10.9
5.90	5.80	5-5V5.90	134.00	QDS08	1/2	1B	SK	1 7/8	1 3/8	11.2
6.30	6.20	5-5V6.30	140.00	QDS08	1/2	1B	SK	1 7/8	1 3/8	12.2
6.70	6.60	5-5V6.70	146.00	QDS08	1/2	1B	SF	2	1 1/4	13.2
7.10	7.00	5-5V7.10	156.00	QDS08	5/16	1B	SF	2	1 7/16	16.7
7.50	7.40	5-5V7.50	174.00	QDS08	5/16	1B	SF	2	1 7/16	18.5
8.00	7.90	5-5V8.00	184.00	QDS08	5/16	1B	E	2 5/8	13/16	20.0
8.50	8.40	5-5V8.50	190.00	QDS08	5/16	1B	E	2 5/8	13/16	24.4
9.00	8.90	5-5V9.00	198.00	QDS08	5/16	1B	E	2 5/8	13/16	27.4
9.25	9.15	5-5V9.25	202.00	QDS08	5/16	1B	E	2 5/8	13/16	29.2
9.75	9.65	5-5V9.75	218.00	QDS08	5/16	1B	E	2 5/8	13/16	32.8
10.30	10.20	5-5V10.30	220.00	QDS08	5/16	1W	E	2 5/8	13/16	31.1
10.90	10.80	5-5V10.90	222.00	QDS08	5/16	1W	E	2 5/8	13/16	33.0
11.30	11.20	5-5V11.30	242.00	QDS08	5/16	1W	E	2 5/8	13/16	35.0
11.80	11.70	5-5V11.80	244.00	QDS08	5/16	1W	E	2 5/8	13/16	37.3
12.50	12.40	5-5V12.50	282.00	QDS08	5/16	1W	E	2 5/8	13/16	38.9
13.20	13.10	5-5V13.20	300.00	QDS08	5/16	1W	E	2 5/8	13/16	41.8
14.00	13.90	5-5V14.00	344.00	QDS08	5/16	1A	E	2 5/8	13/16	45.3
15.00	14.90	5-5V15.00	384.00	QDS08	5/16	1A	E	2 5/8	13/16	49.1
16.00	15.90	5-5V16.00	404.00	QDS08	5/16	1A	E	2 5/8	13/16	51.9
18.70	18.60	5-5V18.70	432.00	QDS08	9/32	6A	F	3 5/8	13/32	86.0
21.20	21.10	5-5V21.20	536.00	QDS08	7/32	6A	F	3 5/8	11/32	84.7
23.60	23.50	5-5V23.60	586.00	QDS08	7/32	6A	F	3 5/8	11/32	111.0
28.00	27.90	5-5V28.00	660.00	QDS08	7/32	6A	F	3 5/8	11/32	128.0
31.50	31.40	5-5V31.50	1080.00	QDS10	19/64	6A	J	4 1/2	25/64	174.0
37.50	37.40	5-5V37.50	1380.00	QDS10	7/8	6A	J	4 1/2	1/8	199.0
50.00	49.90	5-5V50.00	1920.00	QDS10	7/8	6A	J	4 1/2	1/8	319.0



TYPE 1



TYPE 6



TYPE 11

P.D. for "5V" Belts = O.D.

<sup>1</sup> Reverse mount only.

\* Mounting bolts are supplied by Baldor with these parts.

Type of sheave "T": A = arms; B = block; W = web

### 5V SECTION

### 6 GROOVES

#### Dimensions

O.D.	Datum dia.	Part No.	List Price	Mult. Sym.	F = 4 7/16 inches					
					H	Type	B	L	E	Approx. Wt. (lbs)
4.40	4.30	<b>6-5V4.40*</b>	114.00	QDS08	11/16	11B	SD	1 13/16	3 5/16	8.4
4.65	4.55	<b>6-5V4.65*</b>	120.00	QDS08	11/16	11B	SD	1 13/16	3 5/16	9.3
4.90	4.80	<b>6-5V4.90*</b>	126.00	QDS08	5/8	1B	SD	1 13/16	2	8.9
5.20	5.10	<b>6-5V5.20</b>	132.00	QDS08	5/8	1B	SD	1 13/16	2	10.9
5.50	5.40	<b>6-5V5.50</b>	138.00	QDS08	5/8	1B	SD	1 13/16	2	13.4
5.90	5.80	<b>6-5V5.90</b>	144.00	QDS08	1/2	1B	SK	1 7/8	2 1/16	12.8
6.30	6.20	<b>6-5V6.30</b>	150.00	QDS08	1/2	1B	SK	1 7/8	2 1/16	15.3
6.70	6.60	<b>6-5V6.70</b>	154.00	QDS08	13/16	1B	SF	2	1 5/8	16.1
7.10	7.00	<b>6-5V7.10</b>	160.00	QDS08	9/16	1B	SF	2	1 7/8	18.8
7.50	7.40	<b>6-5V7.50</b>	176.00	QDS08	9/16	1B	SF	2	1 7/8	20.8
8.00	7.90	<b>6-5V8.00</b>	186.00	QDS08	9/16	1B	E	2 5/8	1 1/4	22.3
8.50	8.40	<b>6-5V8.50</b>	198.00	QDS08	9/16	1B	E	2 5/8	1 1/4	27.1
9.00	8.90	<b>6-5V9.00</b>	220.00	QDS08	9/16	1B	E	2 5/8	1 1/4	30.5
9.25	9.15	<b>6-5V9.25</b>	224.00	QDS08	9/16	1B	E	2 5/8	1 1/4	32.2
9.75	9.65	<b>6-5V9.75</b>	228.00	QDS08	9/16	1B	E	2 5/8	1 1/4	36.2
10.30	10.20	<b>6-5V10.30</b>	248.00	QDS08	9/16	1W	E	2 5/8	1 1/4	34.4
10.90	10.80	<b>6-5V10.90</b>	260.00	QDS08	9/16	1W	E	2 5/8	1 1/4	36.4
11.30	11.20	<b>6-5V11.30</b>	260.00	QDS08	9/16	1W	E	2 5/8	1 1/4	39.3
11.80	11.70	<b>6-5V11.80</b>	262.00	QDS08	9/16	1W	E	2 5/8	1 1/4	40.2
12.50	12.40	<b>6-5V12.50</b>	320.00	QDS08	17/32	1W	F	3 5/8	9/32	54.2
13.20	13.10	<b>6-5V13.20</b>	342.00	QDS08	17/32	1W	F	3 5/8	9/32	58.0
14.00	13.90	<b>6-5V14.00</b>	384.00	QDS08	17/32	1W	F	3 5/8	9/32	59.9
15.00	14.90	<b>6-5V15.00</b>	424.00	QDS08	17/32	1A	F	3 5/8	9/32	60.0
16.00	15.90	<b>6-5V16.00</b>	464.00	QDS08	17/32	1A	F	3 5/8	9/32	64.7
18.70	18.60	<b>6-5V18.70</b>	520.00	QDS08	3/32	1A	F	3 5/8	23/32	80.5
21.20	21.10	<b>6-5V21.20</b>	590.00	QDS08	7/32	6A	F	3 5/8	1 1/32	96.3
23.60	23.50	<b>6-5V23.60</b>	660.00	QDS08	15/32	6A	J	4 1/2	13/32	133.0
28.00	27.90	<b>6-5V28.00</b>	740.00	QDS08	15/32	6A	J	4 1/2	13/32	179.0
31.50	31.40	<b>6-5V31.50</b>	1180.00	QDS10	15/32	6A	J	4 1/2	13/32	198.0
37.50	37.40	<b>6-5V37.50</b>	1440.00	QDS10	15/32	6A	J	4 1/2	13/32	239.0
50.00	49.90	<b>6-5V50.00</b>	2220.00	QDS10	1 13/32	5A	M*	6 3/4	29/32	386.0

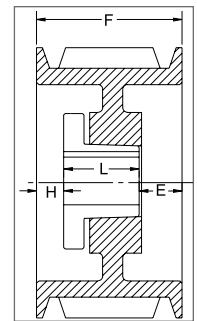
P.D. for "5V" Belts = O.D.

\*Note: M-N-P-W bushings are standard mounting only for these parts.

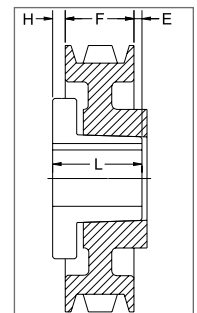
<sup>1</sup> Reverse mount only.

\* Mounting bolts are supplied by Baldor with these parts.

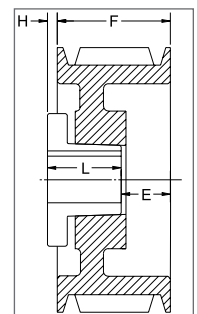
Type of sheave "T": A = arms; B = block; W = web



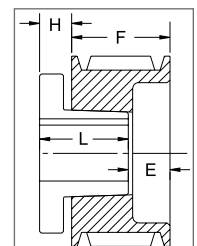
TYPE 1



TYPE 5



TYPE 6



TYPE 11

Gearmotors and Gear Products

PT Components

Motor Accessories

Grinders

Generators

Servo Motors and Controls

Mod Express

Baldor Education Workshops

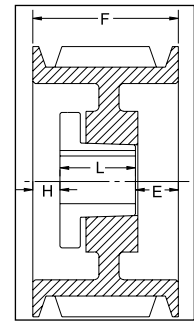
Classifications and Sales Offices

EISA Compliance Table & Index

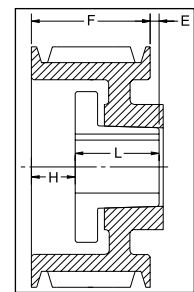
## 5V SECTION 8 GROOVES

### Dimensions

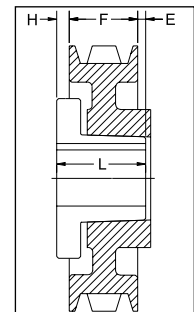
O.D.	Datum dia.	Part No.	List Price	Mult. Sym.	F = 5 13/16 inches					
					H	Type	B	L	E	Approx. Wt. (lbs)
7.10	7.00	8-5V7.10	186.00	QDS08	1 1/16	1B	SF	2	2 3/4	23
7.50	7.40	8-5V7.50	206.00	QDS08	1 1/16	1B	SF	2	2 3/4	25.4
8.00	7.90	8-5V8.00	226.00	QDS08	1 1/16	1B	E	2 5/8	2 1/8	26
8.50	8.40	8-5V8.50	248.00	QDS08	1 1/16	1B	E	2 5/8	2 1/8	33
9.00	8.90	8-5V9.00	268.00	QDS08	1 1/16	1B	E	2 5/8	2 1/8	36
9.25	9.15	8-5V9.25	300.00	QDS08	1 1/32	1B	F	3 5/8	1 5/32	42
9.75	9.65	8-5V9.75	320.00	QDS08	1 1/32	1B	F	3 5/8	1 5/32	47
10.30	10.20	8-5V10.30	340.00	QDS08	1 1/32	1B	F	3 5/8	1 5/32	54
10.90	10.80	8-5V10.90	348.00	QDS08	1 1/32	1B	F	3 5/8	1 5/32	61
11.30	11.20	8-5V11.30	356.00	QDS08	1 1/32	1W	F	3 5/8	1 5/32	57
11.80	11.70	8-5V11.80	374.00	QDS08	1 1/32	1W	F	3 5/8	1 5/32	59
12.50	12.40	8-5V12.50	388.00	QDS08	1 1/32	1W	F	3 5/8	1 5/32	63
13.20	13.10	8-5V13.20	440.00	QDS08	1 1/32	1W	F	3 5/8	1 5/32	67
14.00	13.90	8-5V14.00	480.00	QDS08	1 1/32	1W	F	3 5/8	1 5/32	77
15.00	14.90	8-5V15.00	560.00	QDS08	1 1/32	1A	F	3 5/8	1 5/32	79
16.00	15.90	8-5V16.00	640.00	QDS08	1 1/32	1A	F	3 5/8	1 5/32	85
18.70	18.60	8-5V18.70	700.00	QDS08	5/32	1A	J	4 1/2	1 5/32	112
21.20	21.10	8-5V21.20	760.00	QDS08	7/32	6A	J	4 1/2	1 17/32	119
23.60	23.50	8-5V23.60	840.00	QDS08	5/32	1A	J	4 1/2	1 5/32	154
28.00	27.90	8-5V28.00	1020.00	QDS08	7/32	6A	J	4 1/2	1 17/32	179
31.50	31.40	8-5V31.50	1440.00	QDS10	7/32	2A	M°	6 3/4	1 5/32	295
37.50	37.40	8-5V37.50	1780.00	QDS10	9/32	5A	M°	6 3/4	21/32	326
50.00	49.90	8-5V50.00	2440.00	QDS10	7/32	5A	M°	6 3/4	23/32	466



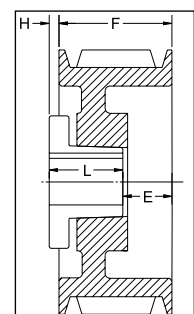
TYPE 1



TYPE 2



TYPE 5



TYPE 6

## 10 GROOVES

### Dimensions

O.D.	Datum dia.	Part No.	List Price	Mult. Sym.	F = 7 3/16 inches					
					H	Type	B	L	E	Approx. Wt. (lbs)
8.00	7.90	10-5V8.00	252.00	QDS10	1 13/16	1B	E	2 5/8	2 3/4	32
8.50	8.40	10-5V8.50	272.00	QDS10	1 13/16	1B	E	2 5/8	2 3/4	38
9.00	8.90	10-5V9.00	300.00	QDS10	1 23/32	1B	F	3 5/8	1 27/32	46
9.25	9.15	10-5V9.25	304.00	QDS10	1 23/32	1B	F	3 5/8	1 27/32	48
9.75	9.65	10-5V9.75	360.00	QDS10	1 23/32	1B	F	3 5/8	1 27/32	54
10.30	10.20	10-5V10.30	372.00	QDS10	1 23/32	1B	F	3 5/8	1 27/32	61
10.90	10.80	10-5V10.90	384.00	QDS10	1 23/32	1B	F	3 5/8	1 27/32	69
11.30	11.20	10-5V11.30	440.00	QDS10	1 23/32	1B	F	3 5/8	1 27/32	73
11.80	11.70	10-5V11.80	480.00	QDS10	1 23/32	1W	F	3 5/8	1 27/32	77
12.50	12.40	10-5V12.50	500.00	QDS10	1 25/32	1W	J	4 1/2	29/32	93
13.20	13.10	10-5V13.20	580.00	QDS10	1 25/32	1W	J	4 1/2	29/32	100
14.00	13.90	10-5V14.00	640.00	QDS10	2 5/32	1W	J	4 1/2	17/32	90
15.00	14.90	10-5V15.00	720.00	QDS10	2 5/32	1W	J	4 1/2	17/32	98
16.00	15.90	10-5V16.00	780.00	QDS10	2 5/32	1A	J	4 1/2	17/32	99
18.70	18.60	10-5V18.70	860.00	QDS10	2 5/32	1A	J	4 1/2	17/32	123
21.20	21.10	10-5V21.20	960.00	QDS10	1 5/32	1A	J	4 1/2	1 17/32	139
23.60	23.50	10-5V23.60	1040.00	QDS10	7/32	1A	M°	6 3/4	7/32	245
28.00	27.90	10-5V28.00	1280.00	QDS10	7/32	1A	M°	6 3/4	7/32	256
31.50	31.40	10-5V31.50	1560.00	QDS10	7/32	1A	M°	6 3/4	7/32	329
37.50	37.40	10-5V37.50	1840.00	QDS10	7/32	1A	M°	6 3/4	7/32	356
50.00	49.90	10-5V50.00	2580.00	QDS10	9/32	1A	M°	6 3/4	5/32	556

P.D. for "5V" Belts = O.D. Type of sheave "T": A = arms; B = block; W = web

\*Note: M-N-P-W bushings are standard mounting only for these parts.

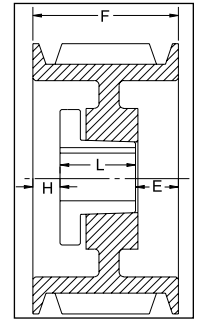
For more details and additional products, see complete Baldor•Maska® Product Catalog or [www.maskapulley.com](http://www.maskapulley.com)

### 8V SECTION

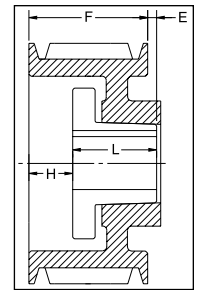
#### 4 GROOVES

##### Dimensions

O.D.	Datum dia.	Part No.	List Price	Mult. Sym.	F = 4 7/8 inches					
					H	Type	B	L	E	Approx. Wt. (lbs)
12.5	12.3	4-8V12.50	544.00	QDS10	1/32	6W	F	3 5/8	1 9/32	56
13.2	13.0	4-8V13.20	552.00	QDS10	1/32	6W	F	3 5/8	1 9/32	63
14.0	13.8	4-8V14.00	560.00	QDS10	1/32	6W	F	3 5/8	1 9/32	65
15.0	14.8	4-8V15.00	596.00	QDS10	1/32	6W	F	3 5/8	1 9/32	72
16.0	15.8	4-8V16.00	660.00	QDS10	1/32	6A	F	3 5/8	1 9/32	80
17.0	16.8	4-8V17.00	720.00	QDS10	1/32	1A	F	3 5/8	1 7/32	93
18.0	17.8	4-8V18.00	760.00	QDS10	1/32	1A	F	3 5/8	1 7/32	105
19.0	18.8	4-8V19.00	790.00	QDS10	1/32	6A	F	3 5/8	1 9/32	113
20.0	19.8	4-8V20.00	820.00	QDS10	3/32	1A	J	4 1/2	9/32	125
21.2	21.0	4-8V21.20	840.00	QDS10	3/32	1A	J	4 1/2	9/32	131
22.4	22.2	4-8V22.40	886.00	QDS10	3/32	1A	J	4 1/2	9/32	150
24.8	24.6	4-8V24.80	1190.00	QDS10	27/32	5A	M°	6 3/4	1 1/32	247
30.0	29.8	4-8V30.00	1350.00	QDS10	27/32	5A	M°	6 3/4	1 1/32	230
35.5	35.3	4-8V35.50	1790.00	QDS10	27/32	5A	M°	6 3/4	1 1/32	329
40.0	39.8	4-8V40.00	1970.00	QDS10	27/32	5A	M°	6 3/4	1 1/32	325
44.5	44.3	4-8V44.50	2590.00	QDS10	27/32	5A	M°	6 3/4	1 1/32	434
53.0	52.8	4-8V53.00	3240.00	QDS10	27/32	5A	M°	6 3/4	1 1/32	425



TYPE 1

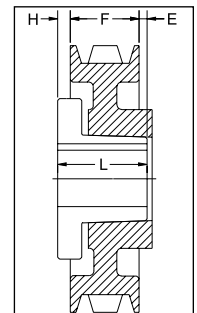


TYPE 2

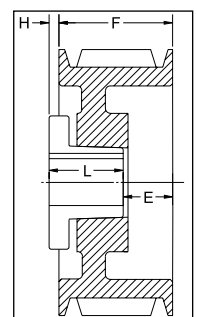
### 5 GROOVES

##### Dimensions

O.D.	Datum dia.	Part No.	List Price	Mult. Sym.	F = 6 inches					
					H	Type	B	L	E	Approx. Wt. (lbs)
12.5	12.3	5-8V12.50	588.00	QDS10	1 1/16	1W	F	3 5/8	1 5/16	64
13.2	13.0	5-8V13.20	618.00	QDS10	1 1/16	1W	F	3 5/8	1 5/16	75
14.0	13.8	5-8V14.00	660.00	QDS10	1 1/16	1W	F	3 5/8	1 5/16	77
15.0	14.8	5-8V15.00	700.00	QDS10	1 3/32	1W	F	3 5/8	1 9/32	87
16.0	15.8	5-8V16.00	740.00	QDS10	1 3/32	1A	F	3 5/8	1 9/32	93
17.0	16.8	5-8V17.00	846.00	QDS10	19/32	1A	J	4 1/2	29/32	105
18.0	17.8	5-8V18.00	900.00	QDS10	19/32	1A	J	4 1/2	29/32	117
19.0	18.8	5-8V19.00	960.00	QDS10	19/32	1A	J	4 1/2	29/32	126
20.0	19.8	5-8V20.00	990.00	QDS10	19/32	1A	J	4 1/2	29/32	135
21.2	21.0	5-8V21.20	1150.00	QDS10	19/32	1A	J	4 1/2	29/32	160
22.4	22.2	5-8V22.40	1310.00	QDS10	9/32	2A	M°	6 3/4	1 1/32	188
24.8	24.6	5-8V24.80	1390.00	QDS10	5/16	2A	M°	6 3/4	1 1/16	266
30.0	29.8	5-8V30.00	1570.00	QDS10	5/16	2A	M°	6 3/4	1 1/16	255
35.5	35.3	5-8V35.50	1990.00	QDS10	5/16	2A	M°	6 3/4	1 1/16	391
40.0	39.8	5-8V40.00	2240.00	QDS10	5/16	2A	M°	6 3/4	1 1/16	355
44.5	44.3	5-8V44.50	2990.00	QDS10	1 5/16	5A	N°	8 1/8	13/16	538
53.0	52.8	5-8V53.00	3480.00	QDS10	1 5/16	5A	N°	8 1/8	13/16	500



TYPE 5



TYPE 6

P.D. for "8V" Belts = O.D. Type of sheave "T": A = arms; B = block; W = web

\*Note: M-N-P-W bushings are standard mounting only for these parts.

For more details and additional products, see complete Baldor•Maska® Product Catalog or [www.maskapulleys.com](http://www.maskapulleys.com)

Gearmotors and Gear Products

PT Components

Motor Accessories

Grinders

Generators

Servo Motors and Controls

Mod Express

Baldor Education Workshops

Classifications and Sales Offices

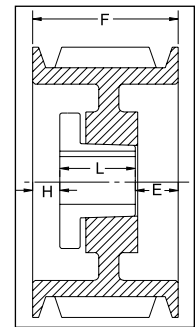
EISA Compliance Table & Index

## 8V SECTION

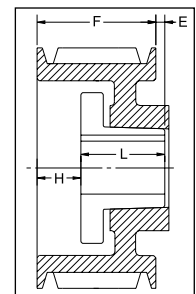
### 6 GROOVES

#### Dimensions

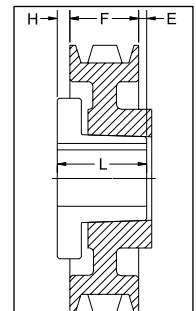
O.D.	Datum dia.	Part No.	List Price	Mult. Sym.	F = 7 1/8 inches					Approx. Wt. (lbs)
					H	Type	B	L	E	
12.5	12.3	6-8V12.50	618.00	QDS10	2 3/32	1B	F	3 5/8	1 13/32	79
13.2	13.0	6-8V13.20	660.00	QDS10	1 1/16	1W	F	3 5/8	2 7/16	86
14.0	13.8	6-8V14.00	722.00	QDS10	1 1/16	1W	F	3 5/8	2 7/16	92
15.0	14.8	6-8V15.00	774.00	QDS10	1 5/32	1W	J	4 1/2	1 15/32	99
16.0	15.8	6-8V16.00	824.00	QDS10	1 5/32	1W	J	4 1/2	1 15/32	119
17.0	16.8	6-8V17.00	928.00	QDS10	1 5/32	1A	J	4 1/2	1 15/32	125
18.0	17.8	6-8V18.00	1000.00	QDS10	1 5/32	1A	J	4 1/2	1 15/32	131
19.0	18.8	6-8V19.00	1040.00	QDS10	1 5/32	1A	J	4 1/2	1 15/32	146
20.0	19.8	6-8V20.00	1190.00	QDS10	1 9/32	2A	M°	6 3/4	29/32	153
21.2	21.0	6-8V21.20	1320.00	QDS10	1 9/32	2W	M°	6 3/4	29/32	170
22.4	22.2	6-8V22.40	1560.00	QDS10	1 9/32	2A	M°	6 3/4	29/32	205
24.8	24.6	6-8V24.80	1590.00	QDS10	9/32	1A	M°	6 3/4	3/32	285
30.0	29.8	6-8V30.00	1610.00	QDS10	9/32	1A	M°	6 3/4	3/32	291
35.5	35.3	6-8V35.50	2190.00	QDS10	3/16	5A	N°	8 1/8	13/16	467
40.0	39.8	6-8V40.00	2440.00	QDS10	3/16	2A	N°	8 1/8	1 3/16	401
44.5	44.3	6-8V44.50	3390.00	QDS10	3/16	5A	N°	8 1/8	13/16	573
53.0	52.8	6-8V53.00	3720.00	QDS10	3/16	5A	N°	8 1/8	13/16	520
58.0	57.8	-	-	QDS10	-	-	-	-	-	-
63.0	62.8	6-8V63.00	6190.00	QDS10	3/4	5A	P°	9 3/8	1 1/2	890
71.0	70.8	6-8V71.00	9000.00	QDS10	3/4	5A	P°	9 3/8	1 1/2	1131



TYPE 1



TYPE 2



TYPE 5

## 8 GROOVES

#### Dimensions

O.D.	Datum dia.	Part No.	List Price	Mult. Sym.	F = 9 3/8 inches					Approx. Wt. (lbs)
					H	Type	B	L	E	
12.5	12.3	8-8V12.50	780.00	QDS10	2 1/32	1B	J	4 1/2	2 27/32	100
13.2	13.0	8-8V13.20	824.00	QDS10	2 1/32	1B	J	4 1/2	2 27/32	126
14.0	13.8	8-8V14.00	866.00	QDS10	2 1/32	1W	J	4 1/2	2 27/32	124
15.0	14.8	8-8V15.00	928.00	QDS10	2 1/32	1W	J	4 1/2	2 27/32	134
16.0	15.8	8-8V16.00	1010.00	QDS10	2 5/32	1W	J	4 1/2	2 23/32	145
17.0	16.8	8-8V17.00	1124.00	QDS10	2 9/32	1W	M°	6 3/4	11/32	213
18.0	17.8	8-8V18.00	1200.00	QDS10	2 9/32	1W	M°	6 3/4	11/32	213
19.0	18.8	8-8V19.00	1240.00	QDS10	2 9/32	1W	M°	6 3/4	11/32	221
20.0	19.8	8-8V20.00	1280.00	QDS10	2 9/32	1W	M°	6 3/4	11/32	217
21.2	21.0	8-8V21.20	1380.00	QDS10	2 9/32	1W	M°	6 3/4	11/32	239
22.4	22.2	8-8V22.40	1590.00	QDS10	2 9/32	1A	M°	6 3/4	11/32	260
24.8	24.6	8-8V24.80	1790.00	QDS10	3/16	1A	N°	8 1/8	1 1/16	417
30.0	29.8	8-8V30.00	1840.00	QDS10	3/16	1A	N°	8 1/8	1 1/16	352
35.5	35.3	8-8V35.50	2390.00	QDS10	3/16	1A	N°	8 1/8	1 1/16	575
40.0	39.8	8-8V40.00	2640.00	QDS10	3/16	1A	N°	8 1/8	1 1/16	496
44.5	44.3	8-8V44.50	3790.00	QDS10	1/4	2A	P°	9 3/8	1/4	783
53.0	52.8	8-8V53.00	3960.00	QDS10	1/4	2A	P°	9 3/8	1/4	760
58.0	57.8	8-8V58.00	5500.00	QDS10	1/4	2A	P°	9 3/8	1/4	1068
63.0	62.8	8-8V63.00	6990.00	QDS10	1/4	2A	P°	9 3/8	1/4	1116
71.0	70.8	8-8V71.00	10000.00	QDS10	0	5A	W°	11 3/8	2	1632

P.D. for "8V" Belts = O.D. Type of sheave "T": A = arms; B = block; W = web

\*Note: M-N-P-W bushings are standard mounting only for these parts.

For more details and additional products, see complete Baldor•Maska® Product Catalog or [www.maskapulleys.com](http://www.maskapulleys.com)

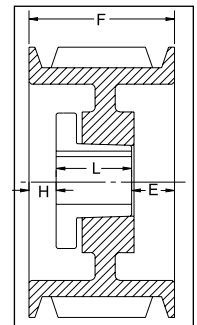


### 8V SECTION

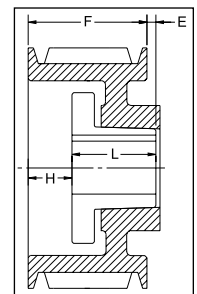
### 10 GROOVES

#### Dimensions

O.D.	Datum dia.	Part No.	List Price	Mult. Sym.	F = 11 5/8 inches					Approx. Wt. (lbs)
					H	Type	B	L	E	
12.5	12.3	10-8V12.50	948.00	QDS10	2 5/32	1B	J	4 1/2	4 31/32	148
13.2	13.0	10-8V13.20	1114.00	QDS10	2 5/32	1B	J	4 1/2	4 31/32	148
14.0	13.8	10-8V14.00	1278.00	QDS10	2 5/32	1B	J	4 1/2	4 31/32	160
15.0	14.8	10-8V15.00	1442.00	QDS10	2 9/32	1B	M°	6 3/4	2 19/32	259
16.0	15.8	10-8V16.00	1608.00	QDS10	2 9/32	1B	M°	6 3/4	2 19/32	296
17.0	16.8	10-8V17.00	1648.00	QDS10	2 9/32	1W	M°	6 3/4	2 19/32	269
18.0	17.8	10-8V18.00	1720.00	QDS10	2 9/32	1W	M°	6 3/4	2 19/32	282
19.0	18.8	10-8V19.00	1760.00	QDS10	2 9/32	1W	M°	6 3/4	2 19/32	300
20.0	19.8	10-8V20.00	1860.00	QDS10	2 9/32	1W	M°	6 3/4	2 19/32	318
21.2	21.0	10-8V21.20	2040.00	QDS10	2 9/32	1W	M°	6 3/4	2 19/32	340
22.4	22.2	10-8V22.40	2246.00	QDS10	3/16	1A	N°	8 1/8	3 5/16	410
24.8	24.6	10-8V24.80	2290.00	QDS10	3/16	1A	N°	8 1/8	3 5/16	463
30.0	29.8	10-8V30.00	2350.00	QDS10	3/16	1A	N°	8 1/8	3 5/16	557
35.5	35.3	10-8V35.50	2790.00	QDS10	1/4	1A	P°	9 3/8	2	706
40.0	39.8	10-8V40.00	3350.00	QDS10	1/4	1A	P°	9 3/8	2	817
44.5	44.3	10-8V44.50	4190.00	QDS10	1/4	1A	P°	9 3/8	2	854
53.0	52.8	10-8V53.00	5000.00	QDS10	1/4	1A	P°	9 3/8	2	1198
58.0	57.8	10-8V58.00	7000.00	QDS10	3/8	2A	W°	11 3/8	1/8	1300
63.0	62.8	10-8V63.00	9000.00	QDS10	3/8	2A	W°	11 3/8	1/8	1412
71.0	70.8	10-8V71.00	11500.00	QDS10	3/8	2A	W°	11 3/8	1/8	1771



TYPE 1



TYPE 2

### 12 GROOVES

#### Dimensions

O.D.	Datum dia.	Part No.	List Price	Mult. Sym.	F = 13 7/8 inches					Approx. Wt. (lbs)
					H	Type	B	L	E	
12.5	12.3	12-8V12.50	2080.00	QDS10	2 9/32	1B	M°	6 3/4	4 27/32	197
13.2	13.0	12-8V13.20	2120.00	QDS10	2 9/32	1B	M°	6 3/4	4 27/32	219
14.0	13.8	12-8V14.00	2160.00	QDS10	2 9/32	1B	M°	6 3/4	4 27/32	245
15.0	14.8	12-8V15.00	2200.00	QDS10	2 9/32	1B	M°	6 3/4	4 27/32	280
16.0	15.8	12-8V16.00	2240.00	QDS10	2 9/32	1B	M°	6 3/4	4 27/32	319
17.0	16.8	12-8V17.00	2280.00	QDS10	2 9/32	1B	M°	6 3/4	4 27/32	321
18.0	17.8	12-8V18.00	2320.00	QDS10	2 9/32	1B	M°	6 3/4	4 27/32	337
19.0	18.8	12-8V19.00	2400.00	QDS10	3/16	1B	N°	8 1/8	5 9/16	380
20.0	19.8	12-8V20.00	2480.00	QDS10	3/16	1W	N°	8 1/8	5 9/16	402
21.2	21.0	12-8V21.20	2560.00	QDS10	3/16	1W	N°	8 1/8	5 9/16	420
22.4	22.2	12-8V22.40	2640.00	QDS10	3/16	1A	N°	8 1/8	5 9/16	458
24.8	24.6	12-8V24.80	3000.00	QDS10	3/16	1A	N°	8 1/8	5 9/16	516
30.0	29.8	12-8V30.00	3380.00	QDS10	1/4	1A	P°	9 3/8	4 1/4	671
35.5	35.3	12-8V35.50	3660.00	QDS10	1/4	1A	P°	9 3/8	4 1/4	798
40.0	39.8	12-8V40.00	5000.00	QDS10	1/4	1A	P°	9 3/8	4 1/4	909
44.5	44.3	12-8V44.50	6500.00	QDS10	1/4	1A	P°	9 3/8	4 1/4	982
53.0	52.8	12-8V53.00	8000.00	QDS10	5/8	1A	W°	11 3/8	1 7/8	1456
58.0	57.8	12-8V58.00	9000.00	QDS10	5/8	1A	W°	11 3/8	1 7/8	1500
63.0	62.8	12-8V63.00	10000.00	QDS10	5/8	1A	W°	11 3/8	1 7/8	1540
71.0	70.8	12-8V71.00	13000.00	QDS10	5/8	1A	W°	11 3/8	1 7/8	1912

P.D. for "8V" Belts = O.D. Type of sheave "T": A = arms; B = block; W = web

\*Note: M-N-P-W bushings are standard mounting only for these parts.

For more details and additional products, see complete Baldor•Maska® Product Catalog or [www.maskapulleys.com](http://www.maskapulleys.com)

Gearmotors and Gear Products

PT Components

Motor Accessories

Grinders

Generators

Servo Motors and Controls

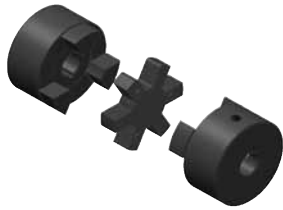
Mod Express

Baldor Education Workshops

Classifications and Sales Offices

EISA Compliance Table & Index

## MASKA STARFLEX: Elastomeric Jaw Type Couplings



**Features:** All parts are completely machined in cast iron. Interchangeable by part number and size with corresponding components. Four types of insert materials for various applications in varying temperatures and environments.

**How to order STOCK BORE COUPLING: Example: L099X5/8;** L099 = Maska Starflex Hub size. X5/8 = Bore size (5/8"). Metric bore sizes are designated with "MM" after the metric dimension (X 25MM).

**ELEMENT MATERIAL Example: L099-100H** = Maska Starflex element size (insert) H = Material (Hytre). To order a complete coupling, (2) hubs with appropriate bore and (1) insert have to be ordered.

### Dimensions

Hub No.	List Price		Mult. Sym.	Type	Outside Diameter A	Hub Diameter HD	Overall Length B	Distance between flanges C	Length thru bore D	**Bore		Assy Wt. Lbs. (Avg)	Approx. WR <sup>2</sup> (lbs-in <sup>2</sup> )
	Imperial (IN)	Metric (MM)								Min.	Max.		
L035 *	13.00	-	CPL32	1	5/8	-	13/16	9/32	17/64	1/8 (4mm)	3/8 (8mm)	0.10	0.003
L050 *	13.00	15.60	CPL32	1	1 1/16	-	1 23/32	15/32	5/8	3/16 (5mm)	5/8 (16mm)	0.25	0.054
L070	5.05	6.06	CPL32	1	1 3/8	-	2	1/2	3/4	3/16 (7mm)	3/4 (19mm)	0.50	0.115
L075	5.80	6.96	CPL32	1	1 3/4	-	2 1/8	1/2	13/16	3/16 (9mm)	7/8 (22mm)	0.90	0.388
L090	8.90	10.68	CPL32	1	2 1/8	-	2 9/64	33/64	13/16	3/16 (8mm)	1 (25mm)	1.35	0.772
L095	13.70	16.44	CPL32	1	2 1/8	-	2 33/64	33/64	1	7/16 (11mm)	1 1/8 (28mm)	1.55	0.890
L099	17.30	20.76	CPL32	1	2 17/32	-	2 27/32	23/32	1 1/16	7/16 (14mm)	1 3/16 (30mm)	2.25	2.048
L100	25.60	30.72	CPL32	1	2 17/32	-	3 15/32	23/32	1 3/8	7/16 (12mm)	1 3/8 (35mm)	2.80	2.783
L110	35.00	42.00	CPL32	1	3 5/16	-	4 1/4	7/8	1 11/16	5/8 (16mm)	1 5/8 (42mm)	5.95	8.993
L150	44.80	53.76	CPL32	1	3 3/4	-	4 1/2	1	1 3/4	5/8 (16mm)	1 7/8 (48mm)	7.90	11.477
L190	70.00	84.00	CPL32	2	4 1/2	4	5	1	2	3/4 (19mm)	2 1/8 (55mm)	13.80	39.256
L225	85.00	102.00	CPL32	2	5	4 1/4	5 3/8	1	2 3/16	3/4 (30mm)	2 5/8 (65mm)	17.30	65.000

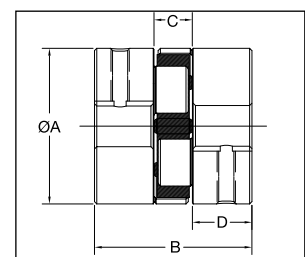
\*Important: NOT SOLD INDIVIDUALLY. These parts are packaged 4 to a box, order per multiple of 4.

\*\*See Baldor•Maska® Product Catalog for Stock bores.

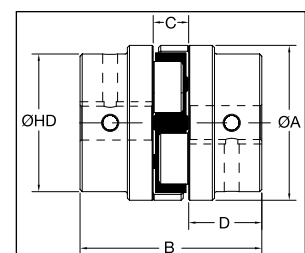
### Insert Elements

NBR (Rubber)			Urethane		Hytre		Wt. lbs.	Bronze		
Part No.	Mult. Sym.	List Price	Part No.	List Price	Part No.	List Price		Part No.	List Price	Approx. Wt. (lbs.)
L035N* (4)	CPL32	8.40	-	-	-	-	.01	-	-	-
L050N* (4)	CPL32	8.40	L050U* (4)	34.00	L050H* (4)	28.40	.01	L050B* (4)	47.60	.06
L070N	CPL32	3.00	L070U	5.90	L070H	10.00	.02	L070B	14.50	.07
L075N	CPL32	5.10	L075U	7.30	L075H	15.00	.03	L075B	23.20	.10
L090-095N	CPL32	6.60	L090-095U	10.50	L090-095H	20.00	.04	L090-095B	25.60	.17
L090-095N	CPL32	6.60	L090-095U	10.50	L090-095H	20.00	.04	L090-095B	25.60	.17
L099-100N	CPL32	13.90	L099-100U	27.60	L099-100H	47.60	.07	L099-100B	37.80	.33
L099-100N	CPL32	13.90	L099-100U	27.60	L099-100H	47.60	.07	L099-100B	37.80	.33
L110N	CPL32	16.00	L110U	52.40	L110H	57.60	.14	L110B	45.40	.63
L150N	CPL32	23.00	L150U	63.40	L150H	69.20	.21	L150B	146.00	1.01
L190N	CPL32	28.00	L190U	68.40	L190H	81.60	.27	L190B	222.00	1.35
L225N	CPL32	33.50	L225U	86.60	L225H	95.80	.41	L225B	284.00	2.05

\*Important: NOT SOLD INDIVIDUALLY. These parts are packaged 4 to a box, order per multiple of 4.



TYPE 1



TYPE 2

For more details and additional products, see complete Baldor•Maska® Product Catalog or [www.maskapulley.com](http://www.maskapulley.com)

### 4-FLEX: Elastomeric Gear Type Couplings



**Features:** Maska 4-Flex part # are based on industry recognized nomenclature. 4-way flexing action. All types & sizes in cast iron. Precise concentric product to avoid run-out and unbalance. No lubrication; smooth, quiet power transmission. Fast & easy installation; no special tools or accessories required.

**How to order FLANGE: Example (fixed bored): 9SX1-9/16;** 9 = 4FLEX Flange size. S = 4FLEX Flange TYPE. X1-9/16 = Bore size (1 9/16") **Example (bush type): 8B-SH;** 8 = 4FLEX Flange size. B = 4FLEX Flange TYPE. SH = QD BUSHING SIZE.

**ELEMENT MATERIAL Example: 9JES** = 9 =4FLEX element size. JES = Element material and construction (EPDM Split - "S" stands for Split)

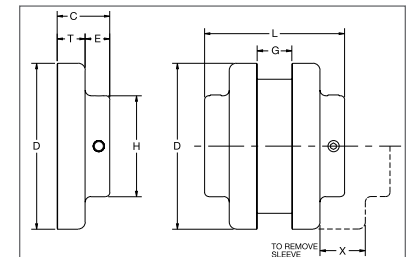
### TYPE "J" COUPLING FLANGE

#### Dimensions

Flange Size	List Price	Mult. Sym.	Dimensions (inches)								**Bore (in)		*Approx. Wt. (lbs.)
			C	D	E	G	H	L	T	X	Min	Max	
3J	7.50	CPL31	51/64	2.062	13/32	3/8	1 1/2	1 31/32	25/64	5/8	3/8	7/8	0.3
4J	9.50	CPL31	55/64	2.460	27/64	5/8	1 5/8	2 11/32	7/16	5/8	1/2	1	0.4
5J	15.00	CPL31	1 3/64	3.250	29/64	3/4	1 7/8	2 27/32	19/32	59/64	1/2	1 1/8	0.9
6J	21.00	CPL31	1 5/16	4.000	9/16	7/8	2 1/2	3 1/2	3/4	1 3/32	5/8	1 3/8	1.2

\* Approximate weight for each flange.

\*\*See Baldor•Maska® Product Catalog for Stock bores.



### TYPE "S" COUPLING FLANGE

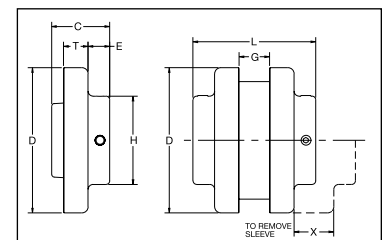
#### Dimensions

Flange Size	List Price	Mult. Sym.	Type	Dimensions (inches)								**Bore (in)		*Approx. Wt. (lbs.)
				C	D	E	G	H	L	T	X	Min	Max	
5S	20.00	CPL31	-	1 11/32	3.250	29/64	23/32	1 7/8	2 13/16	19/32	31/32	1/2	1 1/4	1.1
	26.00	CPL31	1	1 5/8	4.000	17/32	7/8	2 1/2	3 1/2	25/32	1 3/32	5/8	1 1/2	1.9
6S	26.00	CPL31	2	1 5/16	4.000	17/32	7/8	2 1/2	3 1/2	25/32	1 3/32	1 5/8	1 3/4	1.8
	26.00	CPL31	3	1 9/16	4.000	25/32	7/8	2 13/16	4	25/32	1 3/32	1 7/8	1 7/8	1.8
7S	30.00	CPL31	-	1 27/32	4.625	11/16	1	2 13/16	3 15/16	25/32	1 5/16	5/8	1 7/8	2.6
8S	40.00	CPL31	1	2 3/32	5.450	3/4	1 1/8	3 1/4	4 7/16	29/32	1 1/2	3/4	2 1/8	4.4
	40.00	CPL31	2	1 15/16	5.450	1 1/32	1 1/8	3 1/4	5	29/32	1 1/2	2 3/8	2 3/8	3.7
9S	60.00	CPL31	1	2 13/32	6.350	25/32	1 7/16	3 7/8	5 1/16	1 1/32	1 3/4	7/8	2 1/2	6.8
	60.00	CPL31	2	2 9/32	6.350	1 1/4	1 7/16	4 1/8	6	1 1/32	1 3/4	2 7/8	2 7/8	6.2
10S	80.00	CPL31	1	2 23/32	7.500	13/16	1 5/8	4 3/8	5 11/16	1 7/32	2	1 1/8	2 7/8	10.5
	80.00	CPL31	2	2 11/16	7.500	1 15/32	1 5/8	4 3/4	7	1 7/32	2	3 3/8	3 3/8	9.8
11S	128.00	CPL31	1	3 7/16	8.625	1 1/8	1 7/8	5 1/4	7 1/8	1 1/2	2 3/8	1 1/4	3 7/8	16.6
12S	156.00	CPL31	-	4	10.000	1 9/32	2 5/16	5 3/4	8 1/4	1 11/16	2 11/16	1 1/2	3 7/8	26.6
13S	220.00	CPL31	-	4 3/8	11.750	1 5/16	2 11/16	6 3/4	9 1/4	1 31/32	3 1/16	2	3 15/16	45.2

\* Approximate weight for each flange

\*\*See Baldor•Maska® Product Catalog List Price for Stock bores

All finished bores come with 2 set screws.



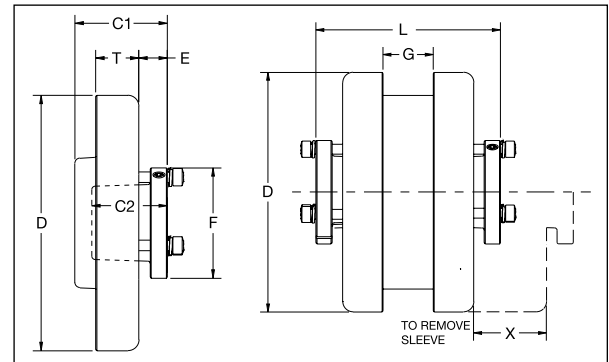
## TYPE "B" COUPLING FLANGE

### Dimensions

Flange Size	List Price	Mult. Sym.	Bushing Size	Dimensions (inches)									~Max. Bore (inches)	*Wt. (lbs.)	
				C1	C2	D	E	F	G	L	T	X		Flange	Bush.
6B	38.00	CPL31	JA	1 17/64	1	4.000	33/64	2	7/8	3 13/32	3/4	1 3/32	1 1/4	1.4	0.4
7B	44.00	CPL31	JA	1 19/64	1	4.625	33/64	2	1	3 19/32	25/32	1 5/16	1 1/4	1.9	0.4
8B	50.00	CPL31	SH	1 31/32	1 1/4	5.450	5/8	2 11/16	1 1/8	4 3/16	29/32	1 1/2	1 5/8	2.9	0.9
9B	62.00	CPL31	SD	2 5/16	1 13/16	6.350	11/16	3 3/16	1 7/16	4 7/8	1 1/32	1 3/4	1 15/16	4.8	1.6
10B	84.00	CPL31	SK	2 1/32	1 7/8	7.500	13/16	3 7/8	1 5/8	5 11/16	1 7/32	2	2 1/2	7.8	2.7
11B	120.00	CPL31	SF	2 5/16	2	8.625	13/16	4 5/8	1 7/8	6 1/2	1 1/2	2 3/8	2 15/16	12.0	3.9
12B	146.00	CPL31	E	2 29/32	2 5/8	10.000	1 1/8	6	2 5/16	7 15/16	1 11/16	2 11/16	3 1/2	18.0	8.5
13B	208.00	CPL31	F	3 29/32	3 5/8	11.750	1 7/32	6 5/8	2 11/16	9 1/16	1 31/32	3	3 15/16	31.2	13.3

~ Maximum bore with keyseat.

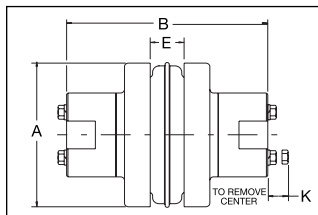
\* Approximate weight for each flange.



### 4-FLEX: Type "SC" SPACER Couplings



**Features:** Satisfies standard spacing requirements for pump applications. Accommodates wide range of shaft spacing. Features AGMA 9 balanced flanges & drop-out center for easy equipment maintenance. Available with EPDM or Hytrel sleeves. Uses H & HS shaft hubs that are bored to size for slip fit or offered with plain bore for reboring. Shaft attachment with two setscrews; one over the keyway and one at 65° for better shaft grip. Shaft hub flats are used for holding both shafts stationary while loosening or tightening grade 8 bolts.



**How to order FLANGE: Example: 9SC50;** 9 = 4FLEX Flange size. SC = 4FLEX Flange TYPE. 50 = FLANGE # (Determined by the required distance between shafts)

**HUB Example: 9SC-HX1-1/8** 9: 4FLEX Flange size. SC: 4FLEX Flange TYPE. -HX1-1/8: BORE SIZE (1 1/8")

**ELEMENT MATERIAL Example: 9JES** = 9 = 4FLEX element size. JES = Element material and construction (EPDM Split - "S" stands for Split)

Coupling size	Required Distance Between Shafts*	Use Flange Size	Use Hub No.	Max. Bore Std. Ks	Dimensions				Approx. Wt. (lbs.)
					A	B(1)	E	K	
5SC	3 1/2	5SC35	5SC-H	1 1/8	3.250	5 5/8	3/4	9/16	4.5
	3 1/2	6SC35	6SC-H	1 3/8	4.000	5 7/8	7/8	3/4	7.3
6SC	4 3/8	6SC44	6SC-H	1 3/8	4.000	6 3/4	7/8	3/4	8.1
	5	6SC50	6SC-H	1 3/8	4.000	7 3/8	7/8	3/4	8.7
7SC	3 1/2	7SC35	7SC-H	1 5/8	4.625	6 3/8	1	5/8	9.9
	4 3/8	7SC44	7SC-H	1 5/8	4.625	7 1/4	1	5/8	10.8
	5	7SC50	7SC-H	1 5/8	4.625	7 7/8	1	5/8	11.4
8SC	3 1/2	8SC35	8SC-H	1 7/8	5.450	6 7/8	1 1/8	13/16	15.2
	3 1/2	8SC35-10	10SC-H, 10SC-HS	2 3/8	5.450	8 1/8	1 1/8	13/16	23.2
	4 3/8	8SC44	8SC-H	1 7/8	5.450	7 3/4	1 1/8	13/16	16.4
	5	8SC50	8SC-H	1 7/8	5.450	8 3/8	1 1/8	1 3/16	17.4
	5	8SC50-10	10SC-H, 10SC-HS	2 3/8	5.450	9 5/8	1 1/8	1 3/16	27.2
9SC	3 1/2	9SC35	9SC-H, 9SC-HS	2 1/8	6.350	7 1/2	1 7/16	1 1/16	18.6
	4 3/8	9SC44	9SC-H, 9SC-HS	2 1/8	6.350	8 1/4	1 7/16	1 1/16	22.2
	5	9SC50	9SC-H, 9SC-HS	2 1/8	6.350	8 7/8	1 7/16	1 1/16	23.2
	5	9SC50-11	11SC-H, 11SC-HS	2 7/8	6.350	10 3/8	1 7/16	1 3/16	40.4
	7	9SC70-11	11SC-H, 11SC-HS	2 7/8	6.350	12 3/8	1 7/16	1 3/16	48.2
	7 3/4	9SC78-11	11SC-H, 11SC-HS	2 7/8	6.350	13 1/8	1 7/16	1 3/16	51.0
10SC	4 3/4	10SC48	10SC-H, 10SC-HS	2 3/8	7.500	9 3/8	1 5/8	1 3/16	37.6
	5	10SC50	10SC-H, 10SC-HS	2 3/8	7.500	9 5/8	1 5/8	1 3/16	38.4
	7	10SC70-13	13SC-H, 13SC-HS	3 3/8	7.500	13 5/8	1 5/8	1 7/8	72.0
	7 3/4	10SC78-13	13SC-H, 13SC-HS	3 3/8	7.500	14 3/8	1 5/8	1 7/8	76.0
	10	10SC100-13	13SC-H, 13SC-HS	3 3/8	7.500	16 5/8	1 5/8	1 7/8	88.0
11SC	4 3/4	11SC48	11SC-H, 11SC-HS	2 7/8	8.625	10 5/16	1 7/8	1 3/16	54.5
	5	11SC50	11SC-H, 11SC-HS	2 7/8	8.625	10 3/8	1 7/8	1 3/16	54.7
	7	11SC70-14	14SC-H	3 7/8	8.625	14 5/8	1 7/8	2	86.1
	7 3/4	11SC78-14	14SC-H	3 7/8	8.625	15 3/8	1 7/8	2	90.3
	10	11SC100-14	14SC-H	3 7/8	8.625	17 5/8	1 7/8	2	102.7
12SC	7	12SC70	12SC-H, 12SC-HS	2 7/8	10.000	12 7/8	2 5/16	1 1/2	88.1
	7	12SC70-14	14SC-H	3 7/8	10.000	14 5/8	2 5/16	2	99.1
	7 3/4	12SC78	12SC-H, 12SC-HS	2 7/8	10.000	13 5/8	2 5/16	1 1/2	91.9
	7 3/4	12SC78-14	14SC-H	3 7/8	10.000	15 3/8	2 5/16	2	103.3
	10	12SC100-14	14SC-H	3 7/8	10.000	17 5/8	2 5/16	2	115.7
13SC	7 3/4	13SC78	13SC-H, 13SC-HS	3 3/8	11.750	14 3/8	2 11/16	1 7/8	129.6
14SC	7 3/4	14SC78	14SC-H	3 7/8	13.875	15 3/8	3 1/4	2	179.9

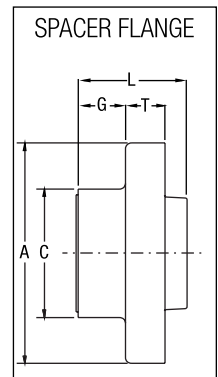
(1) "B" dimension and weight will change if one or two short (HS) hubs are used.

Note: Refer to following pages to order - specify components separately.

For more details and additional products, see complete Baldor•Maska® Product Catalog or [www.maskapulleys.com](http://www.maskapulleys.com)

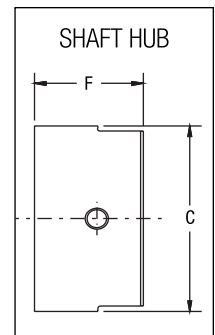
## TYPE "SC" COUPLING FLANGE

Flange Size	List Price	Mult. Sym.	DIMENSIONS					Approx. Wt. (lbs.)
			A	C	G	L	T	
5SC35	26.00 \$	CPL31	3.250	2	51/64	1 11/16	19/32	1.20
6SC35	32.00 \$	CPL31	4.000	2 1/2	19/32	1 5/8	23/32	2.09
6SC44	40.00 \$	CPL31	4.000	2 1/2	1 1/32	2 1/16	23/32	2.48
6SC50	48.00 \$	CPL31	4.000	2 1/2	1 11/32	2 3/8	23/32	2.76
7SC35	40.00 \$	CPL31	4.625	2 13/16	15/32	1 5/8	25/32	2.52
7SC44	48.00 \$	CPL31	4.625	2 13/16	29/32	2 1/16	25/32	2.99
7SC50	56.00 \$	CPL31	4.625	2 13/16	1 7/32	2 3/8	25/32	3.33
8SC35	52.00 \$	CPL31	5.450	3 1/4	9/32	1 5/8	29/32	3.67
8SC35-10	64.00 \$	CPL31	5.450	4 3/8	9/32	1 5/8	29/32	3.46
8SC44	64.00 \$	CPL31	5.450	3 1/4	23/32	2 1/16	29/32	4.30
8SC50	76.00 \$	CPL31	5.450	3 1/4	1 1/32	2 3/8	29/32	4.75
8SC50-10	96.00 \$	CPL31	5.450	4 3/8	1 1/32	2 3/8	29/32	5.52
9SC35	64.00 \$	CPL31	6.350	3 5/8	1/16	1 11/16	1 1/32	4.14
9SC44	84.00 \$	CPL31	6.350	3 5/8	7/16	2 1/16	1 1/32	5.89
9SC50	108.00 \$	CPL31	6.350	3 5/8	3/4	2 3/8	1 1/32	6.43
9SC50-11	116.00 \$	CPL31	6.350	5 1/4	3/4	2 3/8	1 1/32	6.95
9SC70-11	120.00 \$	CPL31	6.350	5 1/4	1 3/4	2 3/8	1 1/32	10.80
9SC78-11	124.00 \$	CPL31	6.350	5 1/4	2 1/8	3 3/4	1 1/32	12.37
10SC48	104.00 \$	CPL31	7.500	4 3/8	11/32	2 1/4	1 7/32	9.81
10SC50	112.00 \$	CPL31	7.500	4 3/8	15/32	2 3/8	1 7/32	10.15
10SC70-13	156.00 \$	CPL31	7.500	6 1/8	1 15/32	3 3/8	1 7/32	14.50
10SC78-13	164.00 \$	CPL31	7.500	6 1/8	1 27/32	3 3/4	1 7/32	16.45
10SC100-13	192.00 \$	CPL31	7.500	6 1/8	2 31/32	4 7/8	1 7/32	22.50
11SC48	172.00 \$	CPL31	8.625	5 1/4	1/32	1 1/2	1 1/2	12.53
11SC50	180.00 \$	CPL31	8.625	5 1/4	1/16	1 9/16	1 1/2	12.63
11SC70-14	200.00 \$	CPL31	8.625	6 1/2	1 1/16	2 9/16	1 1/2	16.30
11SC78-14	204.00 \$	CPL31	8.625	6 1/2	1 7/16	2 15/16	1 1/2	18.36
11SC100-14	260.00 \$	CPL31	8.625	6 1/2	2 9/16	4 1/16	1 1/2	24.70
12SC70	192.00 \$	CPL31	10.000	5 3/4	21/32	2 15/32	1 11/16	23.40
12SC70-14	252.00 \$	CPL31	10.000	6 1/2	21/32	2 15/32	1 11/16	21.30
12SC78	196.00 \$	CPL31	10.000	5 3/4	1 1/32	2 27/32	1 11/16	25.39
12SC78-14	264.00 \$	CPL31	10.000	6 1/2	1 1/32	2 27/32	1 11/16	23.40
12SC100-14	288.00 \$	CPL31	10.000	6 1/2	2 5/32	3 31/32	1 11/16	29.70
13SC78	264.00 \$	CPL31	11.750	6 1/8	9/16	3 1/4	1 31/32	38.37
14SC78	396.00 \$	CPL31	13.875	6 1/2	1/32	2 23/32	2 1/4	55.24



## TYPE "SC" COUPLING SPACER SHAFT HUB

Hub No.	STOCK BORES		List Price	Mult. Sym.	F	C	Cap Screws Furnished	Approx. Wt. (lbs.)
	Plain Bore	Bore with Standard keyway & Set Screw						
5SC-H	1/2-PB	1/2 · 5/8 · 3/4 · 7/8 · 1 · 1 1/8	32.00	CPL31	1 3/32	2	4 X 10X1 1/2	0.80
6SC-H	5/8-PB	5/8 · 3/4 · 7/8 · 1 · 1 1/8 · 1 1/4 · 1 3/8	36.00	CPL31	1 7/32	2 1/2	4 X 1/4X1-3/4	1.40
7SC-H	5/8-PB	5/8 · 7/8 · 1 · 1 1/8 · 1 1/4 · 1 3/8 · 1 1/2 · 1 5/8	40.00	CPL31	1 15/32	2 13/16	4 X 1/4X1 7/8	2.00
8SC-H	3/4-PB	3/4 · 7/8 · 1 · 1 1/8 · 1 1/4 · 1 3/8 · 1 1/2 · 1 5/8 · 1 3/4 · 1 7/8	50.00	CPL31	1 23/32	3 1/4	4 X 5/16X2 1/4	3.20
9SC-H	7/8-PB	7/8 · 1 · 1 1/8 · 1 1/4 · 1 3/8 · 1 1/2 · 1 5/8 · 1 3/4 · 1 7/8 · 2 1/8	64.00	CPL31	1 31/32	3 5/8	4 X 3/8X2 3/4	4.20
9SC-HS		1 1/8	60.00	CPL31	1 17/32	3 5/8	4 X 3/8X2 1/4	3.70
10SC-H	1 1/8PB	1 1/8 · 1 5/8 · 1 7/8 · 2 1/8 · 2 3/8	116.00	CPL31	2 11/32	4 3/8	4 X 7/16X3 1/4	7.40
10SC-HS		1 1/8	108.00	CPL31	1 21/32	4 3/8	4 X 7/16X2 1/2	5.50
11SC-H	1 1/8PB	1 1/8 · 1 7/8 · 2 1/8 · 2 3/8 · 2 7/8	160.00	CPL31	2 23/32	5 1/4	4 X 1/2X3 1/2	12.20
11SC-HS		1 1/8 · 1 5/8	152.00	CPL31	1 29/32	5 1/4	4 X 1/2X2 3/4	9.30
12SC-H	1 3/8PB	1 3/8 · 2 · 2 1/8 · 2 3/8 · 2 7/8	208.00	CPL31	2 21/32	5 3/4	4 X 5/8X4	16.60
12SC-HS		2 3/8	196.00	CPL31	2 17/32	5 3/4	4 X 5/8X3 1/2	14.10
13SC-H		1 3/8 · 2 3/8 · 2 7/8 · 3 3/8	232.00	CPL31	3 11/32	6 1/8	4 X 5/8X4 1/2	19.90
13SC-HS		2 1/8 · 2 3/8	220.00	CPL31	2 15/32	6 1/8	4 X 5/8X3 1/2	16.00
14SC-H		1 5/8 · 2 3/8 · 2 7/8 · 3 3/8 · 3 7/8	280.00	CPL31	3 27/32	6 1/2	4 X 5/8X5	24.20





### ELEMENT CHARACTERISTICS

#### Sleeve Types

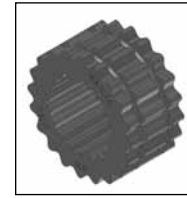
SHAPES AVAILABLE	EPDM	HYTREL
1 pc, unsplit	JE	H
1 pc, split	JES	-
2 pieces	E	HS
TYPICAL USE	General Purpose	General Purpose
REL. RATING	1X	4X
WIND-UP ANGULAR	15°	7°
MISALIGNMENT	1°	1/4°
TEMPERATURE		
maximum	+275° F.	+250° F.
minimum	-30° F.	-65° F.



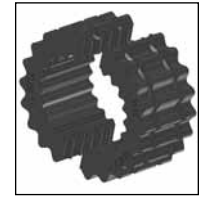
JE



JES



H



HS



E

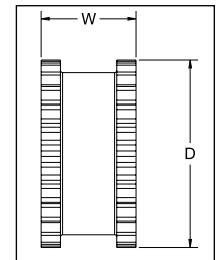


E (exploded)

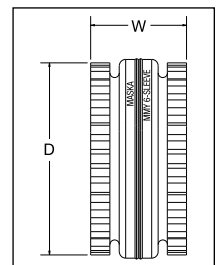
#### EPDM ELEMENT - TYPES "JE", "JES", "E"

##### Dimensions

Part No.	List Price	Mult. Sym.	Part No.	List Price	Coupling Size	D (inches)	W (inches)	Approx. Wt. (lbs)
3JE	4.20	CPL31	3JES	5.60	3	1 7/8	1	0.06
4JE	6.00	CPL31	4JES	8.00	4	2 5/16	1 1/4	0.10
5JE	12.00	CPL31	5JES	14.00	5	2 15/16	1 9/16	0.20
6JE	20.00	CPL31	6JES	22.00	6	3 3/4	1 7/8	0.40
7JE	26.00	CPL31	7JES	28.00	7	4 11/32	2 3/16	0.62
8JE	34.00	CPL31	8JES	38.00	8	5 1/16	2 1/2	1.13
9JE	40.00	CPL31	9JES	44.00	9	6	3	1.46
10JE	56.00	CPL31	10JES	60.00	10	7 1/16	3 7/16	2.32
4E	24.00	CPL31	---	---	4	2 5/16	1 1/4	0.11
5E	25.00	CPL31	---	---	5	2 15/16	1 9/16	0.25
6E	30.00	CPL31	---	---	6	3 3/4	1 7/8	0.49
7E	38.00	CPL31	---	---	7	4 11/32	2 3/16	0.77
8E	66.00	CPL31	---	---	8	5 1/16	2 1/2	1.40
9E	74.00	CPL31	---	---	9	6	3	2.00
10E	90.00	CPL31	---	---	10	7 1/16	3 7/16	3.20
11E	164.00	CPL31	---	---	11	8 3/16	4	5.10
12E	240.00	CPL31	---	---	12	9 9/16	4 11/16	8.10
13E	420.00	CPL31	---	---	13	11 3/16	5 1/2	13.00



JE & JES

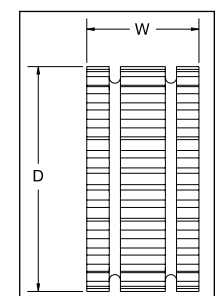


E

#### HYTREL ELEMENT - TYPES "H", "HS"

##### Dimensions

Part No.	List Price	Mult. Sym.	Part No.	List Price	Mult. Sym.	Coupling Size	D (inches)	W (inches)	Approx. Wt. (lbs)
6H	80.00	CPL31	6HS	84.00	CPL31	6	3 3/4	1 7/8	0.44
7H	116.00	CPL31	7HS	120.00	CPL31	7	4 11/32	2 3/16	0.69
8H	126.00	CPL31	8HS	130.00	CPL31	8	5 1/16	2 1/2	1.40
9H	166.00	CPL31	9HS	172.00	CPL31	9	6	3	1.80
10H	224.00	CPL31	10HS	230.00	CPL31	10	7 1/16	3 7/16	2.90
11H	346.00	CPL31	11HS	354.00	CPL31	11	8 3/16	4	4.50
12H	496.00	CPL31	12HS	506.00	CPL31	12	9 9/16	4 11/16	7.30
-	-	CPL31	13HS	840.00	CPL31	13	11 3/16	5 1/2	11.80



H & HS

Gearmotors and Gear Products

PT Components

Motor Accessories

Grinders

Generators

Servo Motors and Controls

Mod Express

Baldor Education Workshops

Classifications and Sales Offices

EISA Compliance Table & Index

## MASKAFLEX : ELASTOMERIC TIRE TYPE



**Features:** Superior designed and manufactured “X-Tork” tire. Bonded and thermally stabilized rubber with double-woven textile cords & multiple cables in toe that allow the element to seat perfectly and contribute to element stability & flange grip. Ridged extremity & inner sidewalls designed for enhanced grip of the flanges.

**How to order COMPLETE COUPLING: Example: MX 120;** MX 120 = Complete MASKAFLEX part number.

**FLANGE Example: MXF 120** = MASKAFLEX flange part number.

**Element Material Example: P120** = MASKAFLEX element part number (tire)

A complete Maskaflex coupling corresponds to (2) flanges and (1) element.

Specify the bore size required to order the appropriate QD bushing with it.

### Dimensions

Complete Coupling Part No	List price w/o Bushing Complete Coupling	Mult. Sym.	Bush. Size	~ Max. Bore	Type	Dimensions (inches)							Weight (lbs)		
						A	B	C	D	E	F	G	Complete	Flange	Tire
MX 50**	114.00	CPL14	JA	1 1/4	1	5 1/4	3 7/8	3 23/32	3 17/32	7/8	*	1 17/32	4.7	2.1	.5
MX 60	151.00	CPL14	SH	1 5/8	1	6 1/2	4 23/32	4 1/2	4 9/32	1 9/32	*	1 25/32	8.0	3.5	1.0
MX 70	201.00	CPL14	SDS	1 15/16	1	7 3/8	4 17/32	4 5/16	4 1/8	1 1/2	*	1 1/2	10.7	4.7	1.3
MX 80	265.00	CPL14	SK	2 1/2	1	8 3/8	5 13/16	5 17/32	5 1/4	1 1/2	*	1 1/2	15.5	6.9	1.7
MX 90	335.00	CPL14	SK	2 1/2	1	9 1/4	5 7/8	5 9/16	5 5/16	1 17/32	*	1 9/16	22.0	10.0	2.0
MX 100	411.00	CPL14	SF	2 3/4	1	10	6 1/8	5 25/32	5 15/32	1 23/32	*	1 15/32	32.0	15.0	2.0
MX 110	457.00	CPL14	SF	2 3/4	1	11	5 7/8	5 1/2	5 3/16	1 9/16	*	1 3/16	46.0	21.5	3.0
MX 120	529.00	CPL14	E	3 7/16	1	12 3/8	7 1/4	6 7/8	6 1/2	1 3/4	*	1 1/4	59.8	28.0	3.8
MX 140	918.00	CPL14	F	3 15/16	2	14 1/8	9 1/2	9 1/16	8 5/8	2 1/16	*	1 3/8	132.5	64.0	4.5
MX 160	1352.00	CPL14	J	4	2	16 5/8	11 1/2	10 7/8	10 3/8	2 11/16	*	1 3/8	208.7	100.0	8.7
MX 200	2043.00	CPL14	J	4	2	20	11 3/4	11 5/16	10 13/16	3 5/16	*	1 13/16	366.0	174.0	18.0

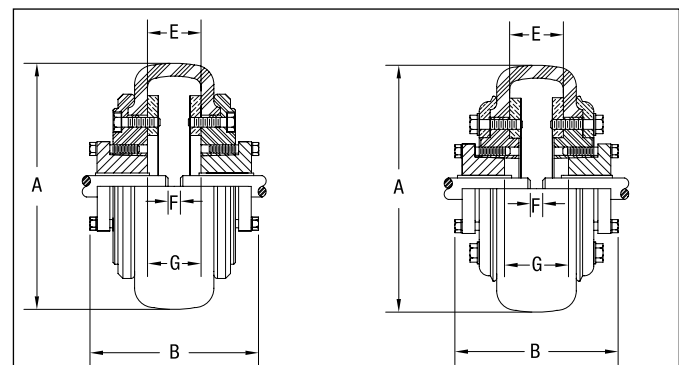
~ Maximum bore with keyseat

\* Shaft ends although normally “G” distance apart can project beyond the bushings and be closer together. If this occurs, allow space between shaft ends for endfloat and misalignment.

\*\* The MX50 coupling can only be outside-outside mount.

### Parts

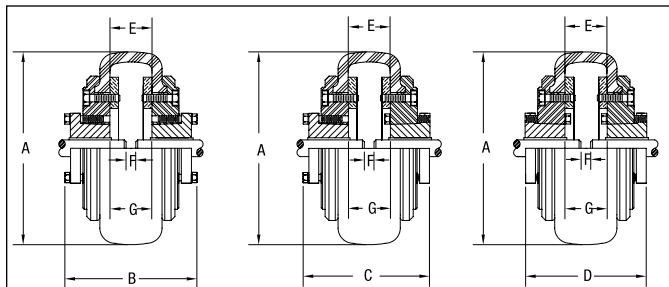
Flange			Tire		
Flange Part No.	List Price	Mult. Sym.	Tire Part No.	List Price	Mult. Sym.
MXF 50	37.00	CPL14	P50	40.00	CPL15
MXF 60	52.00	CPL14	P60	47.00	CPL15
MXF 70	68.00	CPL14	P70	65.00	CPL15
MXF 80	89.00	CPL14	P80	87.00	CPL15
MXF 90	121.00	CPL14	P90	93.00	CPL15
MXF 100	155.00	CPL14	P100	101.00	CPL15
MXF 110	171.00	CPL14	P110	115.00	CPL15
MXF 120	200.00	CPL14	P120	129.00	CPL15
MXF 140	354.00	CPL14	P140	210.00	CPL15
MXF 160	550.00	CPL14	P160	252.00	CPL15
MXF 200	790.00	CPL14	P200	463.00	CPL15



MX 50 TO MX 120

MX 140 TO MX 200

### TYPE 1

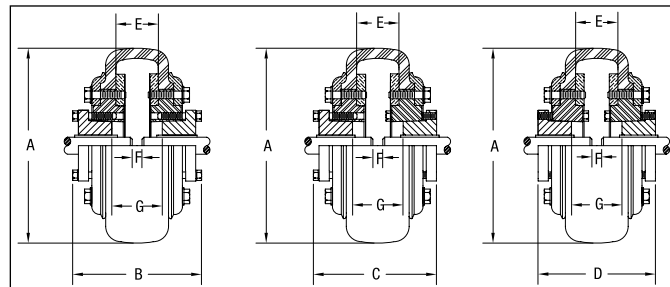


OUTSIDE-  
OUTSIDE  
MOUNT

OUTSIDE-  
INSIDE  
MOUNT

INSIDE-  
INSIDE  
MOUNT

### TYPE 2



OUTSIDE-  
OUTSIDE  
MOUNT

OUTSIDE-  
INSIDE  
MOUNT

INSIDE-  
INSIDE  
MOUNT

## COUPLING RATINGS & MISALIGNMENT

Coupling No.	Bush. Size	Max. Bore	Max RPM	HP per 100 RPM Service factors					Torque* @ 1.0 S.F. (LB in)	Average static torsional stiffness coefficient (H)		Approx. WR <sup>2</sup> (LB-FT <sup>2</sup> )	Max. parallel misalignment	Max. axial misalignment
				1.0	1.5	2.0	2.5	3.0		LB-IN/DEG.	LB-IN/RAD.			
MX 50	JA	1 1/4	4500	1.43	.95	.72	.57	.48	900	224	12,850	.08	3/64	1/16
MX 60	SH	1 5/8	4000	2.86	1.91	1.43	1.14	.95	1,800	414	23,700	.24	1/16	5/64
MX 70	SDS	1 15/16	3600	3.49	2.33	1.75	1.40	1.16	2,200	544	31,200	.45	5/64	3/32
MX 80	SK	2 1/2	3100	5.71	3.81	2.86	2.28	1.90	3,600	876	50,200	.88	5/64	7/64
MX 90	SK	2 1/2	2800	6.90	4.60	3.45	2.76	2.30	4,350	1,088	62,400	1.60	3/32	1/8
MX 100	SF	2 3/4	2600	8.33	5.55	4.17	3.33	2.78	5,250	1,530	87,700	2.90	7/64	1/8
MX 110	SF	2 3/4	2300	12.30	8.20	6.15	4.92	4.10	7,750	2,420	138,700	4.30	7/64	9/64
MX 120	E	3 7/16	2100	19.90	13.27	9.95	7.96	6.63	12,540	4,014	217,000	6.70	1/8	5/32
MX 140	F	3 15/16	1840	43.78	29.19	21.89	17.51	14.59	27,590	8,296	476,000	19.50	9/64	3/16
MX 160	J	4	1560	59.98	39.99	29.99	23.99	19.99	37,800	12,000	688,000	34.60	11/64	13/64
MX 200	J	4	1300	130.90	87.27	65.45	52.36	43.63	82,500	29,000	1,662,000	103.00	13/64	17/64

\* To obtain the maximal torque, multiply by 2.5 the nominal torque. (X-Tork tire)  
For more details see Baldor•Maska® Product Catalog

## CROSS REFERENCES

MASKA-FLEX Maska	HI-FLEX Maurey	MARTIN-FLEX Martin
MX 50	50JA	F5 JA
MX 60	60SH	F6 JA
MX 70	70SH	F7 SH
MX 80	80SDS	F8 SDS
MX 90	90SK	F9 SK
MX 100	100SF	F10 SF
MX 110	110SF	F11 SF
MX 120	120E	F12 E
MX 140	140E	N/A
MX 160	N/A	N/A
MX 200	N/A	N/A



### Industrial Grinders



**600E**

Cast aluminum wheel guards can be exhausted or left closed. 8-foot power cord. Base mounted on/off switch. Rubber feet minimize vibration.

Hp	RPM	Wheel Size	Catalog Number	List Price	Mult. Sym.	Shpg. Wgt.	Voltage	Style	Agency Approval	Notes
1/3	3600	6"x3/4"x1/2"	<b>600E</b>	259	G1	30	115	Grinder	UL	a,c
1/3	3600	6"x3/4"x1/2"	<b>602E</b>	259	G1	27	115	Grinder/Buffer	UL	b,c

Cast aluminum non-exhaust type wheel guards. 8-foot power cord. Base mounted on/off switch. Rubber feet to minimize vibration.

Hp	RPM	Wheel Size	Catalog Number	List Price	Mult. Sym.	Shpg. Wgt.	Voltage	Style	Agency Approval	Notes
1/3	3600	6"x3/4"x1/2"	<b>612</b>	293	G1	30	115	Grinder	UL, CSA	a,c
1/3	3600	6"x3/4"x1/2"	<b>662</b>	293	G1	29	115	Grinder/Buffer	UL, CSA	b,c



**623E**

Cast iron exhaust type wheel guards. 8-foot power cord. Base mounted on/off switch. Rubber feet to minimize vibration.

Hp	RPM	Wheel Size	Catalog Number	List Price	Mult. Sym.	Shpg. Wgt.	Voltage	Style	Agency Approval	Notes
1/4	1800	6"x3/4"x1/2"	<b>632E</b>	411	G1	47	115	Grinder		a,d
1/3	3600	6"x3/4"x1/2"	<b>612E</b>	364	G1	44	115	Grinder	UL, CSA	a,c
1/3	3600	6"x3/4"x1/2"	<b>623E</b>	411	G1	47	115	Grinder	UL	a,d
1/3	3600	6"x3/4"x1/2"	<b>623ED</b>	555	G1	61	115	Grinder		a,d,e
1/3	3600	6"x3/4"x1/2"	<b>662E</b>	364	G1	43	115	Grinder/Buffer	UL, CSA	a,c
1/3	3600	6"x3/4"x1/2"	<b>673E</b>	411	G1	45	115	Grinder/Buffer	UL	a,d



**7306**

Cast iron exhaust type wheel guards. 8-foot power cord. Base mounted on/off switch. Rubber feet to minimize vibration.

Hp	RPM	Wheel Size	Catalog Number	List Price	Mult. Sym.	Shpg. Wgt.	Voltage	Style	Agency Approval	Notes
1/2	3600	7"x1"x5/8"	<b>712</b>	434	G1	45	115	Grinder	UL, CSA	a,c,f
1/2	3600	7"x1"x5/8"	<b>762</b>	434	G1	42	115	Grinder/Buffer	UL, CSA	b,c,f
1/2	3600	7"x1"x5/8"	<b>712E</b>	511	G1	69	115	Grinder	UL, CSA	a,c
1/2	3600	7"x1"x5/8"	<b>762E</b>	511	G1	66	115	Grinder/Buffer	UL, CSA	b,c
1/2	1800	7"x1"x5/8"	<b>7306</b>	559	G1	71	115/230	Grinder	UL	a,d,g
1/2	3600	7"x1"x5/8"	<b>7307</b>	559	G1	70	115/230	Grinder	UL, CSA	a,d,g
1/2	3600	7"x1"x5/8"	<b>7351</b>	559	G1	68	115/230	Grinder/Buffer	UL, CSA	b,d,g
1/2	1800	7"x1"x5/8"	<b>7308</b>	559	G1	71	208-230-4600	Grinder	UL, CSA	a,d,h
1/2	3600	7"x1"x5/8"	<b>7309</b>	559	G1	70	208-230-4600	Grinder	UL, CSA	a,d,h
1/2	1800	7"x1"x5/8"	<b>7306D</b>	720	G1	84	115/230	Grinder	UL	a,d,e,g
1/2	3600	7"x1"x5/8"	<b>7307D</b>	720	G1	84	115/230	Grinder	UL	a,d,e,g
1/2	3600	7"x1"x5/8"	<b>7309D</b>	720	G1	87	208-230/460	Grinder	UL, CSA	a,d,e,h
1/2/1/3	1800/3600	7"x1"x5/8"	<b>7312D</b>	905	G1	90	115	Grinder	UL	a,d,e

**NOTES:**

- (a) Supplied with 36 & 60 grit wheels.
- (b) Supplied with 36 grit and 0.014 wire wheel.
- (c) Stamp steel tool rests.
- (d) Cast iron tool rests.
- (e) Deluxe model includes water pot, tool tray and lighted eyeshields.
- (f) Non-exhaust type wheel guards.
- (g) Factory connected for 115 volts, power cord supplied.
- (h) Factory connected for 208-230 volts, no power cord.

**7306D**



### Industrial Grinders



**8100W**



**8100WD**



**1022W**



**1022WD**

All models have cast iron tool rests and exhaust type wheel guards. 8-foot power cord. Base mounted on/off switch. Rubber feet to minimize vibration.

Hp	RPM	Wheel Size	Catalog Number	List Price	Mult. Sym.	Shpg. Wgt.	Voltage	Style	Agency Approval	Notes
3/4	1800	8"x1"x3/4"	<b>8100W</b>	900	G1	99	115/230	Grinder	UL	a,g
3/4	1800	8"x1"x3/4"	<b>8100WD</b>	1,028	G1	110	115/230	Grinder	UL	a,e,g
3/4	3600	8"x1"x3/4"	<b>8107W</b>	900	G1	99	115/230	Grinder	UL	a,g
3/4	3600	8"x1"x3/4"	<b>8107WD</b>	1,028	G1	111	115/230	Grinder	UL	a,e,g
3/4	3600	8"x1"x3/4"	<b>8250W</b>	900	G1	97	115/230	Grinder/Buffer	UL	b,g
3/4	1800	8"x1"x3/4"	<b>8102W</b>	872	G1	98	208-230/460	Grinder	UL,CSA	a,h
3/4	1800	8"x1"x3/4"	<b>8102WD</b>	1,012	G1	111	208-230/460	Grinder	UL,CSA	a,e,h
3/4	3600	8"x1"x3/4"	<b>8123W</b>	872	G1	99	208-230/460	Grinder	UL,CSA	a,h
3/4	3600	8"x1"x3/4"	<b>8123WD</b>	1,012	G1	112	208-230/460	Grinder	UL,CSA	a,e,h
3/4	3600	8"x1"x3/4"	<b>8252W</b>	872	G1	95	208-230/460	Grinder/Buffer	UL	b,h
3/4	3600	8"x1"x3/4"	<b>8125W</b>	872	G1	99	575	Grinder	UL	a,i

All models have cast iron tool rests and exhaust type wheel guards. Base mounted on/off switch. Rubber feet to minimize vibration.

Hp	RPM	Wheel Size	Catalog Number	List Price	Mult. Sym.	Shpg. Wgt.	Voltage	Style	Agency Approval	Notes
1	1800	10"x1"x7/8"	<b>1022W</b>	1,149	G1	133	115/230	Grinder	UL	a,J
1	1800	10"x1"x7/8"	<b>1022WD</b>	1,316	G1	145	115/230	Grinder	UL	a,e,J
1-1/2	1800	10"x1"x7/8"	<b>1021W</b>	1,133	G1	134	208-230/460	Grinder	UL,CSA	a,h
1-1/2	1800	10"x1"x7/8"	<b>1021WD</b>	1,297	G1	146	208-230/460	Grinder	UL,CSA	a,e,h
1-1/2	1800	10"x1"x7/8"	<b>105W</b>	1,133	G1	133	575	Grinder	UL,CSA	a,i

**NOTES:**

- (a) Supplied with 36 & 60 grit wheels.
- (b) Supplied with 36 grit and 0.014 wire wheel.
- (e) Deluxe model includes water pot, tool tray and lighted eyeshields.
- (g) Factory connected for 115 volts, power cord supplied.
- (h) Factory connected for 208-230 volts, no power cord.
- (i) 575 volt, 50//60 Hz.
- (J) Factory connected for 115 volts, no power cord.

Gearmotors and Gear Products

PT Components

Motor Accessories

Grinders

Generators

Servo Motors and Controls

Mod Express

Baldor Education Workshops

Classifications and Sales Offices

EISA Compliance Table & Index



### Industrial Grinders 12 Inch



**BALDOR**  
Catalog #1215W  
with #GA20 Pedestal

Cast iron tool rests & exhaust type wheel guards. Manual starter with overload protection. Also includes lighted eyeshield (bulb not included). All three-phase units are suitable for 50/60 Hz, 1500/1800 RPM operation. Wheels sold separately. See chart below.

Hp	RPM	Wheel Size	Catalog Number	List Price	Mult. Sym.	Shpg. Wgt.	Voltage	Style	Agency Approval	Notes
2	1800	12"X2"X1-1/4"	<b>1215W</b>	2,584	G1	253	208-230/460	Grinder	UR	k
3	1800	12"X2"X1-1/4"	<b>1216W</b>	2,676	G1	254	208-230/460	Grinder	UR	k
2	1800	12"X2"X1-1/4"	<b>1217W</b>	2,737	G1	259	115/230	Grinder	UR	J
3	1800	12"X2"X1-1/4"	<b>129W</b>	2,676	G1	256	575	Grinder	UR	i

### 14 Inch



**BALDOR**  
Catalog #1407W  
with #GA20 Pedestal

Cast iron tool rests & exhaust type wheel guards. Magnetic starter with overload protection. Also includes lighted eyeshields (bulbs not included). Suitable for 50/60 Hz operation. Wheels sold separately. See chart below.

Hp	RPM	Wheel Size	Catalog Number	List Price	Mult. Sym.	Shpg. Wgt.	Voltage	Style	Agency Approval	Notes
5	1800	14"X3"X1-1/4"	<b>1406W</b>	3,316	G1	359	230	Grinder	UR	m
5	1800	14"X3"X1-1/4"	<b>1410W</b>	3,316	G1	362	460	Grinder	UR	m
5	1800	14"X3"X1-1/4"	<b>1408W</b>	3,316	G1	358	575	Grinder	UR	m
7-1/2	1800	14"X3"X1-1/4"	<b>1407W</b>	3,617	G1	372	230	Grinder	UR	m
7-1/2	1800	14"X3"X1-1/4"	<b>1411W</b>	3,617	G1	381	460	Grinder	UR	m
7-1/2	1800	14"X3"X1-1/4"	<b>1409W</b>	3,617	G1	374	575	Grinder	UR	m

### Wheels for 12-Inch and 14-Inch Grinders

High quality aluminum oxide and silicon abrasive in a premium vitrified system

Catalog Number	List Price	Mult. Sym.	Diameter	Face	Bore	Grit	Shpg. Wgt.
<b>B125</b>	197	A8	12"	2"	1-1/4"	30	22
<b>B126</b>	199	A8	12"	2"	1-1/4"	46	22
<b>B147</b>	373	A8	14"	3"	1-1/4"	30	42
<b>B148</b>	373	A8	14"	3"	1-1/4"	46	41

**NOTE:** When installing new wheels, check wheels for possible damage. Do not use a damaged wheel. With new wheel installed, all safety guards in place and operator standing away from front of grinder, run grinder for one minute before apply work. (Wear safety glasses). **Exercise caution.**  
Designed to comply with OSHA standards under normal usage.

**NOTES:**

- (i) 575 volt, 50//60 Hz.
- (J) Factory connected for 115 volts, no power cord.
- (K) Factory connected for 230, manual starter, specify voltage when ordering.
- (m) Factory connected for 230, magnetic starter must be changed for other voltages



### Industrial Tool Grinders

#### Diamond Wheel Grinder



Catalog #522

#### Carbide Tool Grinder



Catalog #500



Catalog #D501



Catalog #C61



GA8



GA7

Baldor Diamond Wheel Tool Grinders feature all cast iron construction. Precision built, they have locked double row bearings and a maximum runout of .002 for precise tool and die work. Accommodates cup wheels with 1-1/4" center hole. Large tool tables with protractor type tool support. Light and water pot with spout and faucet that can be moved to either side are standard equipment. Diamond wheels sold separately. See chart below.

Hp	RPM	Cup Wheel Size	Catalog Number	List Price	Mult. Sym.	Shpg. Wgt.	Voltage	Style	Agency Approval	Notes
1/2	3600	6"x1"x1-1/4"	522	1,446	G1	108	115	Tool Grinder	UL	g
1/2	3600	6"x1"x1-1/4"	532	1,446	G1	109	208-230/460	Tool Grinder	UL	h

**NOTE:** Rough service bulb is suggested.

Baldor Carbide Tool Grinders feature all cast iron construction. Accommodates cup wheels with 1-1/4" center hole. Large tool tables with protractor type tool support. Light and water pot with spout and faucet that can be moved to either side are standard equipment. Wheels sold separately. See chart below.

Hp	RPM	Wheel Size	Catalog Number	List Price	Mult. Sym.	Shpg. Wgt.	Voltage	Style	Agency Approval	Notes
1/2	3600	6"x1"x1-1/4"	500	1,286	G1	109	115	Tool Grinder	UL	g
1/2	3600	6"x1"x1-1/4"	510	1,286	G1	109	208-230/460	Tool Grinder	UL	h

**NOTE:** Rough service bulb is suggested.

### Wheels and Accessories

Catalog Number	List Price	Mult. Sym.	Shpg. Wgt.	Face	Grit	Description
D501	826	A8	5	3/4"	120	General Purpose Diamond Wheel
D502	826	A8	2	3/4"	220	Fine Finish Diamond Wheel
C61	127	A8	5	1"	60	Silicone Carbide
C121	127	A8	3	1"	120	Silicone Carbide
S46	118	A8	3	1"	46	Aluminum Oxide
S61	118	A8	3	1"	60	Aluminum Oxide
GA8	140	A8	1	Wheel Dresser with Diamond NIB		
GA7	84	A8	1	Diamond NIB for GA8 (7/16 diameter x 1" long)		

**NOTE:** When installing new wheels, check wheel for possible damage. Do not use a damaged wheel. With new wheel installed and all safety guards in place, and operator is standing away from front of grinder, run grinder for one minute before applying work. **(Wear safety glasses). Exercise caution.**

**NOTES:**

- (g) Factory connected for 115 volts, power cord supplied.
- (h) Factory connected for 208-230 volts, no power cord.



Gearmotors and Gear Products

PT Components

Motor Accessories

Grinders

Generators

Servo Motors and Controls

Mod Express

Baldor Education Workshops

Classifications and Sales Offices

EISA Compliance Table & Index

### Industrial Abrasive Belt Sanders

Baldor offers several options when it comes to industrial belt sanders, fixed and tiltable belts, grinder/sanders and even an adjustable speed sander for increased flexibility. All units come with a base mounted on/off switch and your choice of 2"x36" 100 grit belt or 2"x48" 80 grit belt.



Catalog #602E-MT      Catalog #248-151D      Catalog #248-181TD      Catalog #248-151TD      Catalog #248-151AS

Hp	RPM	Tiltable belt	Catalog Number	List Price	Mult. Sym.	Shpg. Wgt.	Voltage	Style	Agency Approval	Notes
1/3	3600	Multi-Position	<b>602E-MT</b>	687	G1	24	115	Grinder/Belt Sander	—	g, n
1-1/2	3600	Fixed	<b>2048-151D</b>	1,384	G1	88	115/230	Belt Sander	UL	g
1-1/2	3600	Fixed	<b>2048-153D</b>	1,339	G1	76	208-230/460	Belt Sander	UL	h
1-1/2	3600	Three positions	<b>248-151TD</b>	1,516	G1	95	115/230	Belt Sander	UL	g
1-1/2	3600	Three positions	<b>248-153TD</b>	1,471	G1	84	208-230/460	Belt Sander	UL	h
1-1/2	3600	Three positions	<b>248-181TD</b>	1,782	G1	138	115/230	Grinder/Belt Sander	UR	J,I
1-1/2	3600	Three positions	<b>248-183TD</b>	1,731	G1	128	208-230/460	Grinder/Belt Sander	UL	h,I
1-1/2	0-3600	Three positions	<b>248-151AS</b>	1,633	G1	105	115	Adjustable Speed	UR	g,J,I

### Industrial Buffers

Buffers are designed for use with soft cloth wheels **ONLY**. Specific buffing applications may require the addition of operator safety devices. Consult with a safety engineer before installation. Price includes flanges and nuts but **does not** include wheels.



Catalog #333B



Catalog #1458 with #GA20 Pedestal

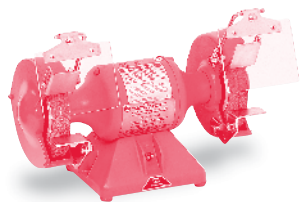
Hp	RPM	Max. Wheel Size	Shaft Diameter	Catalog Number	List Price	Mult. Sym.	Shpg. Wgt.	Voltage	Agency Approval	Notes
1/4	1800	6"	1/2"	<b>114</b>	327	G1	24	115	UR	g
1/3	3600	6"	1/2"	<b>111</b>	327	G1	25	115	UR	g
3/4	1800	8"	3/4"	<b>332B</b>	643	G1	55	115/230	UR	g
3/4	3600	8"	3/4"	<b>333B</b>	643	G1	56	115/230	UR	g
3/4	1800	8"	3/4"	<b>334B</b>	628	G1	54	208-230/460	UR,CSA	h
3/4	3600	8"	3/4"	<b>330B</b>	628	G1	56	208-230/460	UR,CSA	h
1	1800	10"	7/8"	<b>407B</b>	853	G1	60	115/230	UR	j
1-1/2	3600	10"	7/8"	<b>410B</b>	839	G1	61	115/230	UR	j
1-1/2	1800	10"	7/8"	<b>409B</b>	819	G1	59	208-230/460	UR,CSA	h
1-1/2	3600	10"	7/8"	<b>412B</b>	819	G1	62	208-230/460	UR,CSA	h
2	1800	12"	1-1/4"	<b>1250</b>	1,977	G1	164	115/230	UR	k
2	3600	12"	1-1/4"	<b>1251</b>	1,920	G1	160	115/230	UR	k
3	1800	12"	1-1/4"	<b>1252</b>	1,815	G1	156	208-230/460	UR,CSA	k
3	3600	12"	1-1/4"	<b>1253</b>	1,764	G1	156	208-230/460	UR,CSA	k
5	1200	14"	1-1/4"	<b>1457</b>	2,650	G1	228	230	UR,CSA	m
5	1800	14"	1-1/4"	<b>1458</b>	2,256	G1	218	230	UR,CSA	m
7-1/2	1800	14"	1-1/4"	<b>1454</b>	2,520	G1	229	230	UR,CSA	m
7-1/2	3600	14"	1-1/4"	<b>1453</b>	2,384	G1	223	230	UR,CSA	m

**NOTES:**

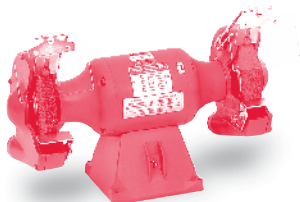
- (g) Factory connected for 115 volts, power cord supplied.
- (h) Factory connected for 208-230 volts, no power cord.
- (j) Factory connected for 115 volts, no power cord.
- (k) Factory connected for 230, manual starter, specify voltage when ordering.
- (l) Supplied with 8"x1"x3/4" 36 grit wheel and 80 grit belt.
- (m) Factory connected for 230, magnetic starter must be changed for other voltages
- (n) Supplied with 0.014 wire wheel and 36" x 2" 100 grit belt

### Big Red Grinders

Big Red Grinders are available with 6", 7" or 8" wheels, equipped with base mounted on/off switch and 8 foot cord with plug. Rubber mounting feet help minimize vibration. Models ending in "E" have exhaust type wheel guards.



**600RE**



**812RE**

Hp	RPM	Wheel Size	Catalog Number	List Price	Mult. Sym.	Shpg. Wgt.	Voltage	Style	Agency Approval	Notes
1/3	3600	6"x3/4"x1/2"	<b>600RE</b>	259	G1	29	115	Grinder	UL	a,c
1/3	3600	6"x3/4"x1/2"	<b>602RE</b>	259	G1	27	115	Grinder/Buffer	UL	b,c
1/3	3600	6"x3/4"x1/2"	<b>612R</b>	293	G1	30	115	Grinder	UL,CSA	a,c,f
1/3	3600	6"x3/4"x1/2"	<b>662R</b>	293	G1	29	115	Grinder/Buffer	UL,CSA	b,c,f
1/2	3600	7"x1"x5/8"	<b>712R</b>	434	G1	44	115/230	Grinder	UL,CSA	a,c,f
1/2	3600	7"x1"x5/8"	<b>762R</b>	434	G1	43	115/230	Grinder/Buffer	UL,CSA	b,c,f
1/2	3600	7"x1"x5/8"	<b>712RE</b>	511	G1	68	115/230	Grinder	UL,CSA	a,c
1/2	3600	7"x1"x5/8"	<b>762RE</b>	511	G1	67	115/230	Grinder/Buffer	UL,CSA	b,c
3/4	3600	8"x1"x3/4"	<b>812RE</b>	851	G1	99	115/230	Grinder	UL	a,c,g
3/4	3600	8"x1"x3/4"	<b>862RE</b>	851	G1	95	115/230	Grinder/Buffer	UL	a,c,g

### Big Red Accessories

#### Pedestals



**GA16R**

**GA14R**

Catalog Number	Description	List Price	Mult. Sym.	Shpg. Wgt.
<b>GA16R</b>	Cast iron pedestal can be used on all Big Red Grinders Height is 32-7/8"	406	A8	62
<b>GA16RE</b>	Light industrial version, all steel construction for use on 6" & 7" only, height is 34"	264	A8	36
<b>GA20RE</b>	Light industrial version, all steel construction for use on 8" only, height is 34"	306	A8	54
<b>GA14R</b>	Fabricated steel pedestal with storage shelves can be used on all Big Red Grinders, height is 34-1/2"	306	A8	64
<b>GA9R</b>	2) Lighted eyeshield, 5-1/2" x 3-3/4" viewing area, 8-ft cord with plug, mounts to any Big Red Grinder	171	A8	5
<b>GA9SR</b>	2) Lighted eyeshield with on/off switch, 5-1/2" x 3-3/4" viewing area, 8-ft cord with plug, mounts to any Big Red Grinder	190	A8	5

#### Lighted Eyeshields



**GA9R**

**GA9SR**

#### NOTES:

- (a) Supplied with 36 & 60 grit wheels.
- (b) Supplied with 36 grit and 0.014 wire wheel.
- (c) Stamp steel tool rests.
- (d) Cast iron tool rests.
- (f) Non-exhaust type wheel guards.
- (g) Factory connected for 115 volts, power cord supplied.

Gearmotors and Gear Products

PT Components

Motor Accessories

Grinders

Generators

Servo Motors and Controls

Mod Express

Baldor Education Workshops

Classifications and Sales Offices

EISA Compliance Table & Index

### Accessories Dust Control Units for Baldor Grinders



Catalog #1022W  
with DC10 and GA16

**NOTE:** Do not collect potentially reactive materials without consulting (NFPA) National Fire Protection Association Standards.

Powered by a 1/2 Hp TEFC single phase Baldor motor with cord, switch, and plug.

230 volt single phase units are available and supplied less switch, cord, and plug. Specify for 230 volt single phase operation.

Collectors with three phase motor less cord, switch, and plug are available. For 208-230/460 volt three phase, add suffix -3 to catalog number. Add \$30.00 to list price.

Mount dust control units with Grinder and GA16 or GA20 pedestal.

115 Volt, Single Phase, 60 Hz.

Catalog Number	Dust Control Unit Price	Mult. Sym.	Grinding Wheel Maximum		Cubic Ft/Min		Air Control Valves	Shpg. Wgt.
			Dia.	Width	Total Cap.	Required Per Wheel By OSHA <sup>(o)</sup>		
DC7	1,217	A8	7"	1"	440	220	Yes	60
DC8	1,217	A8	8"	1"	440	220	Yes	62
DC10	1,217	A8	10"	1"	440	390	Yes <sup>(p)</sup>	60
DC12	1,323	A8	12"	2"	440	390	Yes <sup>(p)</sup>	62
DC12-3	1,323	A8	12"	2"	440	390	Yes <sup>(p)</sup>	57
DC14-3 <sup>(n)</sup>	2,159	A8	14"	3"	700	590	Yes <sup>(p)</sup>	73

<sup>(n)</sup> DC14-3 powered with 1Hp TEFC 208-230/460 volt, three phase motor, less cord, switch, and lug.

<sup>(o)</sup> From ventilation section 1910.94 table G-4 Federal register vol. 37 #202, 10-18-72.

<sup>(p)</sup> Air control valve required to direct total CFM of collector to only the wheel being used to meet OSHA CFM requirements on 10" and larger grinders.

### Replacement Filter Bags

Catalog Number	List Price	Mult. Sym.	Dust Control Unit	Shpg. Wgt.
ARB-1	84	A8	DC7, 8, 10, 12, 12-3	1
ARB-2	118	A8	DC14-3	2

### Accessories Grinder and Buffer



Item Number	Catalog Number	Description	List Price	Mult. Sym.	Shpg. Wgt.
A	GA16	Pedestal "Cast Iron"	406	A8	62
	GA16E	"Steel"	264	A8	36
B	GA14	Pedestal "Steel"	306	A8	64
C	GA20	Pedestal "Cast Iron"	667	A8	125
	GA20E	"Steel"	306	A8	54
D	GA24	Water Pot	44	A8	1
E	GA3	Water Pot	69	A8	7
F	GA25	Tool Tray	44	A8	9
G	GA4	Tool Tray	70	A8	6
H	GA11	Eyeshield	56 pr	A8	2
I	GA10	Eyeshield	51 pr	A8	1
J	GA9	Lighted Eyeshield (less on/off switch)	171 pr	A8	5
J-1	GA9-1	same as GA9 except packed 1 unit per carton	94 ea	A8	3
K	GA9S	Lighted Eyeshield (with on/off switch)	190 pr	A8	6
L	GA13	Eyeshield for 6" Grinders	43 pr	A8	2
M	AB248	Abrasive Belt 2" x 48" - 80 Grit	26	A8	1

**(A) GA16 Pedestal** for 6", 7", 8" and 10" grinders, carbide and diamond wheel grinders, 1/4 Hp through 1-1/2 Hp buffers and belt grinders. Height 32 7/8".

**GA16RE** for 6" & 7" grinders "all steel construction". Height 34".

**(B) GA14 Pedestal** - fabricated steel, for 6", 7", 8" and 10" grinders, 1/4 Hp through 1 1/2 Hp buffers. Height 34 1/2".

**(C) GA20 Pedestal** for 8", 10", 12" and 14" grinders and 3/4 through 7-1/2 Hp buffers. Height 30".

**GA20RE** for 8" & 10" grinders "all steel construction". Height 34".

**(D) GA24 Water Pot** for 623E, 673E, 612E, 662E, and 7" (except #712, #712R, #762, & #762R), 8" and 10" grinders. Supplied with mounting bracket and swivel arm. Capacity 1-1/2 pints.

**(E) GA3 Water Pot** for GA20 pedestal. Capacity 3 pints.

**(F) GA25 Tool Tray** for 623E, 632E, 673E, 612E, 662E and 7" (except #712, #712R, #762, & #762R), 8" and 10" grinders. Supplied with mounting bracket and swivel arm. Diameter 8". Area 48 square inches.

**(G) GA4 Tool Tray** for GA20 pedestal. Dimensions 12" x 6".

**(H) GA11 Eyeshield** - 6" x 4" shatter resistant Plexiglas®. Fits Baldor grinders 7" through 14".

**(I) GA10 Eyeshield** - 5" x 4" shatter resistant Plexiglas®. Fits Baldor 6" grinders and #712, #712R, #762 and #762R.

**(J) GA9 Lighted Eyeshield** - 5 1/2" x 3 3/4" viewing area made of shatter resistant Plexiglas®. Supplied with 8 foot 3 conductor cord with plug. Accommodates standard 115 volt 60 watt bulb. Supplied less bulb and on/off switch. Mounts to Baldor grinders except tool and belt grinders. Adjusts horizontally and vertically. U.L. listed/CSA certified.

**(J-1) GA9-1** - Same as GA9 except packed 1 per carton. 115 volt only.

**(K) GA9S Lighted Eyeshield with On/Off Switch** - 115 volt only.

**(L) GA13 Eyeshield for 600 Series 6" Grinders**

**(M) AB248 Abrasive Belt** - 2" x 48" - 80 Grit.

### Accessories Wheels for Grinders



6" 7" 8" 10" 12" 14"

### Sewed Cotton Buffing Wheels



6" 8" 10"

### Wire Brush Wheels

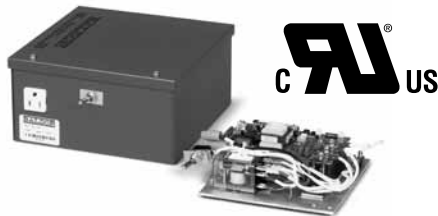


6" 7" 8"

**NOTE:** When installing new wheels, check wheel for possible damage. Do not use a damaged wheel. With new wheel installed and all safety guards in place, and operator standing away from front of grinder, run grinder for one minute before applying work. **(Wear safety glasses).**

#### Exercise Caution.

### Single Phase Electronic Motor Brake



Extremely durable aluminum oxide abrasive grain. Excellent for steels and alloy steels. Ideal for numerous general purpose applications.

Catalog Number	List Price	Mult. Sym.	Diameter	Face	Bore	Grit	Shpg. Wgt.
B66	35	A8	6"	3/4"	1/2"	36	2
B67	35	A8	6"	3/4"	1/2"	60	2
B73	49	A8	7"	1"	5/8"	36	4
B74	49	A8	7"	1"	5/8"	60	3
B80	58	A8	8"	1"	3/4"	36	5
B81	58	A8	8"	1"	3/4"	60	4
B102	87	A8	10"	1"	7/8"	36	8
B103	87	A8	10"	1"	7/8"	60	6
B125	197	A8	12"	2"	1-1/4"	30	22
B126	199	A8	12"	2"	1-1/4"	46	22
B147	373	A8	14"	3"	1-1/4"	30	42
B148	373	A8	14"	3"	1-1/4"	46	41

**Features:** Wheels are muslin cloth, spiral sewn. These bore sizes will fit shafts 1/8" greater diameter than bore.

Catalog Number	List Price	Mult. Sym.	Diameter	Face	Bore	Shpg. Wgt.
A65	19	A8	6"	1/4"	1/2"	1
A82	31	A8	8"	1/4"	3/4"	1
A103	37	A8	10"	1/4"	7/8"	1

**NOTE:** Cotton wheels are supplied in sections 1/4" wide. Two (or more) sections may be put together to make up wheel of desired width.

**Features:** Wheels are crimped, carbon steel wire.

Catalog Number	List Price	Mult. Sym.	Diameter	Face	Bore	Diameter of Wire	Shpg. Wgt.
W64	43	A8	6"	5/8"	1/2"	0.014	1
W70	51	A8	7"	5/8"	5/8"	0.014	1
W82	57	A8	8"	3/4"	3/4"	0.014	1

**NOTE:** Baldor 6", 7" & 8" grinders equipped with grinding wheels can be converted to have wire brush wheels. To properly fit the wire brush wheels, flat washers or spacer must be placed on both sides of the wheel flanges. This will accommodate the width differences between the wire brush wheel and the original grinding wheel. Order washers/spacers as follows:  
6" (3) HW1000A50, 7" (2) HA2047A01, 8"(4) HW1000A75

**Applications:** Efficient alternative to mechanical brakes, suitable for woodworking machinery, machine tools, bench grinders and buffers. Ideal for OEM equipment or for retrofitting into an existing application.

**Features:** Automatic braking for single-phase motors. User adjustable torque and brake time. Prevents restarts after power has been removed for 7 seconds. Accommodates frequent start/stop applications. Available in panel mount for system integration or with line cord, plug and receptacle in a NEMA 1 enclosure for easy installation.

Catalog Number	Horsepower	Amps	Voltage (60 Hz only)	List Price	Mult. Sym.
<b>Panel Mount</b>					
BQ1-015-CP	1	15	110-125 VAC	691	E7
BQ2-015-CP	2	15	208-230 VAC	691	E7
<b>NEMA 1</b>					
BQ1-015-CC	1	15	110-125 VAC	892	E7
BQ2-015-CC	2	15	208-230 VAC	892	E7

**SUFFIX:** CP = 6"x5"x3" module without cord, receptacle, switch or enclosure.  
CC = 8"x8"x4.5" NEMA 1 enclosure with 9ft. cord, receptacle and switch.

Gearmotors and Gear Products

PT Components

Motor Accessories

Grinders

Generators

Servo Motors and Controls

Mod Express

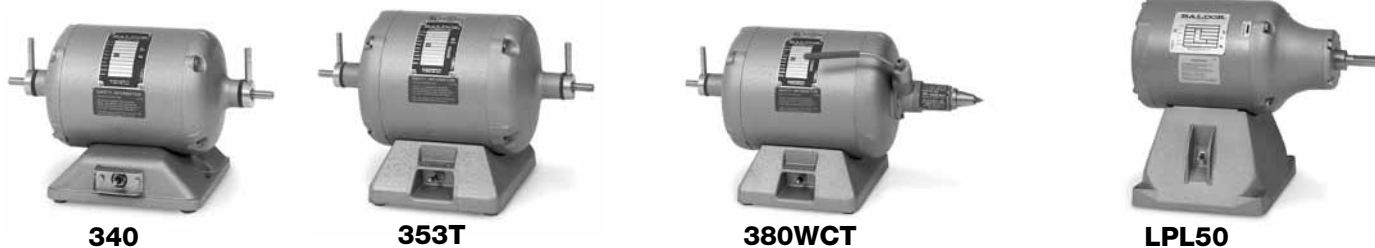
Baldor Education Workshops

Classifications and Sales Offices

EISA Compliance Table & Index



### Polishing Lathes, Chucks



Baldor polishing lathes have features preferred by Dentists, dental lab technicians, jewelers, lapidary and other for precision, trouble-free polishing. All lathes are supplied with 8-foot cord with plug, rubber feet and heavy construction to minimize vibration, provisions for mounting to a laboratory bench are provided as well.

Hp	RPM	Shaft Diameter/Taper	Catalog Number	List Price	Mult. Sym.	Shpg. Wgt.	Voltage	Style	Agency Approval	Notes
1/4	3600/1800	0.375 / 0.250	<b>340</b>	401	G1	32	115	Dual Speed	UR, CSA	q
1/4	3000/1500	0.375 / 0.250	<b>342</b>	401	G1	31	220-240	Dual Speed	UR, CSA	r
1/4	3600/1800	0.375 / 0.250	<b>353T</b>	440	G1	35	115	Dual Speed	UL, CSA	q
1/2	3600	0.375 / 0.250	<b>359T</b>	441	G1	36	115	Single speed	UL, CSA	q
1/3	3600/1800	0.375 / 0.250	<b>380T</b>	490	G1	42	115	Dual Speed	UL, CSA	q
1/3	3600/1800	0.375 / 0.250	<b>380WCT</b>	1,128	G1	47	115	Dual Speed	UL, CSA	q,s
1/2	3600	0.625 / straight	<b>LPL50</b>	428	G1	43	115	Single speed	UR	q,t
3/4	3600	0.625 / straight	<b>LPL75</b>	523	G1	48	115/230	Single speed	UR	q,t

**NOTES:**

- (q) Factory connected for 115 volts, power cord supplied.
- (r) Factory connected for 220-240 volts, power cord without plug.
- (s) Right side equipped with Wells Dental "Super Quick" chuck, 2 mandrels, 2 stone, 1 arbor band, 1 soft wheel chuck.
- (t) Single shaft, right side.

### Baldor True-Running Chucks

Made to close-tolerance specifications, keeps vibration to an absolute minimum. All chuck guaranteed to match Baldor lathes and other make with standard tapered shaft. Mounting hole 0.370" tapered 0.250 per foot.



Catalog Number	List Price	Mult. Sym.	Description	Shpg. Wgt.
<b>R1</b>	24	A8	Hard Wheel, Right Hand, Brass	1
<b>R2</b>	26	A8	Soft Wheel, Right Hand, Brass	1
<b>L3</b>	24	A8	Hard Wheel, Left Hand, Brass	1
<b>L4</b>	26	A8	Soft Wheel, Left Hand, Brass	1
<b>R5A</b>	82	A8	Burr Chuck, Right Hand,	1
<b>R6</b>	43	A8	Arbor Band, Right Hand, Brass	1
<b>L7</b>	48	A8	Burr Chuck, Left Hand, Stainless	1

**NOTE:** R1 & L3 hard wheel chucks accommodate up to 1/4" wide wheel with 1/4" arbor hole. R6 arbor band chuck accommodates 1/2" wide x 3/4" diameter arbor band.

### Dust Collector Bags

Catalog Number	List Price	Mult. Sym.	Description	Shpg. Wgt.
<b>DA1</b>	48	A8	Dust Collector Bag (1 per carton). For Baldor D60 and D61 Dust Collectors	1

### FULL THREE YEAR WARRANTY

Baldor polishing lathes are warranted against burnouts, defective materials, and workmanship for three full years. Warranty covers all parts except those subject to normal wear. "Wells Quick Chuck" warranted one year by manufacturer.

Gearmotors and Gear Products

PT Components

Motor Accessories

Grinders

Gearmotors

Servo Motors and Controls

Mod Express

Baldor Education Workshop

Classifications and Sales Offices

EISA Compliance Table & Index



### Premier Full Featured Portable Generators

### 3,000 through 9,000 Watts

#### Applications

Baldor portable generators are designed to meet your demands when dependable portable power is required. The performance and durability of Baldor portables have made them the generator of choice for industrial and rental/construction applications.

#### Features

Baldor portable generators are equipped with industrial grade engines to provide the performance and dependability you can count on. Baldor manufactures its own generators and backs them with an industry leading 3-year limited warranty. Baldor portable generators also feature Switchless Full Pow'R, eliminating the need for a Full Power switch. Automatically get the 120V or 240V nameplate power rating without having to flip a switch.

Baldor Premier portable generators incorporate the features you've come to expect from the leader in portable power generation.

- Switchless Full Power – Automatic 120V/240V operation.
- Automatic Idler System – Reduces fuel consumption, extends engine life.
- Focal Vibration System – Reduces vibration, extends generator life.
- Hour meter
- Voltmeter
- Fuel Gauge



OHV30



OHV60E

Catalog Number	Max. Watts	Cont. Watts	Fuel Capacity	Engine	Engine Hp	Volts (60 Hertz)	List Price	Mult. Sym.	Approx. Shpg. Wgt.
OHV30	3000	2500	2.8 Gal.	Honda	5.5	120 VAC	1,535	PG	121
OHV40	4000	3500	4.6 Gal.	Honda	8.0	120/240 VAC	2,181	PG	193
OHV50H	5000	4000	4.6 Gal.	Honda	9.0	120/240 VAC	2,380	PG	193
OHV60	6000	5000	4.6 Gal.	Honda	11.0	120/240 VAC	2,807	PG	218
OHV60E ①	6000	5000	4.6 Gal.	Honda	11.0	120/240 VAC	3,270	PG	230
OHV90E ①	9000	8000	5.8 Gal.	Honda	16.6	120/240 VAC	4,020	PG	285

**NOTES:** OHV60E and OHV90E are electric start and have recoil start.

① Batteries are not included or available on any Electric Start Models.

Baldor reserves the right to implement specifications or design change without notice.

**WARNING:** Do not connect generator to any building's electrical system unless a disconnect switch has been installed. Follow local and national electrical codes for proper installation.

**WARRANTY:** Three-year limited warranty – See Baldor Generators Warranty Policy for details. Engine Warranty per the Engine Manufacturer.

## Baldor Premier Portable Generator Specifications

Premier Model	OHV30	OHV40	OHV50H	OHV60	OHV60E	OHV90E
<b>Features</b>						
Switchless Full Pow'R	—	std	std	std	std	std
AC Voltmeter	—	std	std	std	std	std
Hourmeter	std	std	std	std	std	std
AC Circuit Breakers	std	std	std	std	std	std
Low Oil Shutdown	std	std	std	std	std	std
Automatic Idler	—	std	std	std	std	std
Spark Arrestor Muffler	std	std	std	std	std	std
Extended Run Fuel Tank	std	std	std	std	std	std
Tubular Roll Cage	std	std	std	std	std	std
Neoprene Isolators	std	std	std	std	std	std
Focal Vibration System (FVS)	—	std	std	std	std	std
3-Year Warranty ②	std	std	std	std	std	std
<b>Engine Model</b>						
Horsepower	Honda 5.5	Honda 8.0	Honda 9.0	Honda 11	Honda 11	Honda 16.6
Cylinder (S)	1	1	1	1	1	2
Lubrication System	Splash	Splash	Splash	Splash	Splash	Pressure
Displacement - CC	163	242	270	337	337	614
Starting Systems ①	Recoil	Recoil ①	Recoil	Recoil	12 Volt with Recoil	12 Volts with Recoil
<b>Rating</b>						
Max Rating	3000W	4000W	5000W	6000W	6000W	9000W
Rated	2500W	3500W	4000W	5000W	5000W	8000W
Volts	120VAC	120/240VAC	120/240VAC	120/240VAC	120/240VAC	120/240VAC
Amps	20.8	29.2/14.6	33.3/16.7	41.6/20.8	41.6/20.8	66.7/33.4
dbA (Ave) @ 7 meters	70	73	73	72	72	78
<b>Receptacles</b>						
Straight(520R)120V, 20A, Duplex	1	—	—	—	—	—
Straight(520R GFCI)120V, 20A, Duplex	1	2	2	2	2	2
Twist Lock(L530R)120V, 30A	—	1	1	1	1	1
Twist Lock(L1430R)120/240V, 30A	—	1	1	1	1	1
Twist Lock(CS6369)120/240V, 50A	—	—	—	—	—	—
<b>Fuel System</b>						
Fuel Capacity (U.S. Gallons)	2.8	4.6	4.6	4.6	4.6	5.8
Operation Run Time/Full Load	5 hrs.	5 hrs.	6 hrs.	4 hrs.	4 hrs.	4 hrs.
Operation Run Time/Half Load	8 hrs.	9 hrs.	10 hrs.	7 hrs.	7 hrs.	6 hrs.
<b>Dimensions</b>						
Length	25.5"	28"	28"	28"	28"	30.5"
Width	17.5"	20.5"	20.5"	20.5"	20.5"	21.5"
Height	18.0"	22.25"	22.25"	22.25"	22.25"	21"
Weight (Net Dry)	112 lbs	170 lbs	170 lbs	192 lbs	206 lbs	270 lbs

**NOTES:** ① Batteries are not included or available on any Electric Start Models.

② Proper engine maintenance is required. Engine warranty per manufacturer.

Baldor reserves the right to implement specifications or design changes without notice.

**WARNING:** Do not connect generator to any building's electrical system unless a disconnect switch has been installed.

Follow local and national electrical codes for proper installation.

### Powerchief® Maximum Value Portable Generators



PC60H

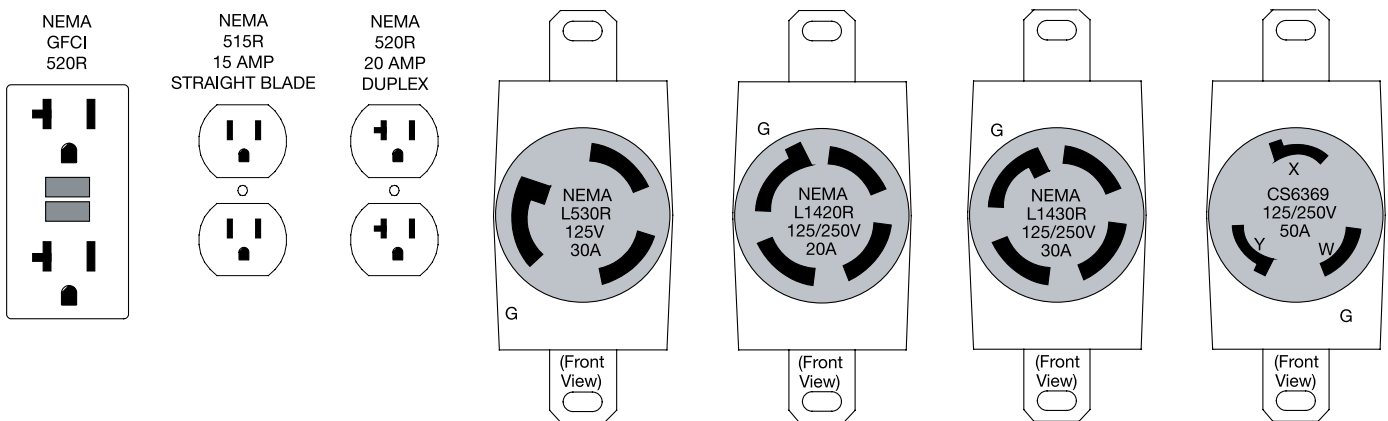
### 3,000 through 9,000 Watts

Baldor Generators are known for their quality and performance and the Powerchief® Series provides what you've come to expect in a maximum value generator. All Powerchief generators feature industrial grade engines, a Baldor generator with 3-year limited warranty, Switchless Full Pow'R and Focal Vibration System.

Catalog Number	Max. Watts	Cont. Watts	Fuel Capacity	Engine	Engine Hp	Volts (60 Hertz)	List Price	Mult. Sym.	Approx. Shp. Wgt.
PC30H	3000	2500	3.8 Qt.	Honda	5.5	120 VAC	1,345	PG	108
PC40H	4000	3500	4.6 Gal.	Honda	8.0	120/240 VAC	1,743	PG	171
PC50H	5000	4000	4.6 Gal.	Honda	9.0	120/240 VAC	1,965	PG	185
PC60H	6000	5000	4.6 Gal.	Honda	11.0	120/240 VAC	2,179	PG	211
PC60HE ①	6000	5000	4.6 Gal.	Honda	11.0	120/240 VAC	2,729	PG	217
PC90HE ①	9000	8000	4.6 Gal.	Honda	16.6	120/240 VAC	3,269	PG	270

- NOTES:** ① Batteries are not included or available on any Electric Start Models.  
Baldor reserves the right to implement specifications or design changes without notice.
- WARNING:** Do not connect generator to any building's electrical system unless a disconnect switch has been installed. Follow local and national electrical codes for proper installation.

### Receptacle Reference Drawings



## Baldor Powerchief Portable Generator Specifications

Powerchief Model	PC30H	PC40H	PC50H	PC60H	PC60HE	PC90HE
<b>Features</b>						
Switchless Full Pow'R	—	std	std	std	std	std
AC Circuit Breakers	std	std	std	std	std	std
Low Oil Shutdown	std	std	std	std	std	std
Spark Arrestor Muffler	std	std	std	std	std	std
Extended Run Fuel Tank	—	std	std	std	std	std
Tubular Roll Cage	std	std	std	std	std	std
Neoprene Isolators	std	std	std	std	std	std
Focal Vibration System (FVS)	—	std	std	std	std	std
3-Year Warranty ②	std	std	std	std	std	std
<b>Engine Model</b>						
	Honda	Honda	Honda	Honda	Honda	Honda
Horsepower	5.5	8	9	11	11	16.6
Cylinder (S)	1	1	1	1	1	2
Displacement-CC	163	242	270	337	337	614
Starting Systems ①	Recoil	Recoil	Recoil	Recoil	12 Volt with Recoil	12 Volt with Recoil
<b>Rating</b>						
Max Rating	3000W	4000W	5000W	6000W	6000W	9000W
Rated	2500W	3500W	4000W	5000W	5000W	8000W
Volts	120VAC	120/240VAC	120/240VAC	120/240VAC	120/240VAC	120/240VAC
Amps	20.8	29.2/14.6	33.3/16.7	41.6/20.8	41.6/20.8	66.7/33.4
dbA (Ave) @ 7 meters	70	73	73	72	72	78
<b>Receptacles</b>						
Straight (515R) 120V, 15A, Single	1	—	—	—	—	—
Straight (515R) 120V, 15A, Duplex	1	—	—	—	—	—
Straight (520R GFCI) 120V, 20A, Duplex	—	1	1	1	1	1
Twist Lock (L530R) 120V, 30A	—	1	1	1	1	1
Twist Lock (L1430R) 120/240V, 30A	—	1	1	1	1	1
<b>Fuel System</b>						
Fuel Capacity (U.S. Gallons)	3.8 qt	4.6 gal	4.6 gal	4.6 gal	4.6 gal	4.6 gal
Operational Run Time/Full Load	1.5 hr	4 hr	6 hr	4 hr	4 hr	3.2 hr
Operational Run Time/Half Load	2.3 hr	7 hr	10 hr	7 hr	7 hr	5.6 hr
<b>Dimensions</b>						
Length	22"	28"	28"	28"	28"	30.5"
Width	15.75"	20.5"	20.5"	20.5"	20.5"	21.5"
Height	16.5"	22.25"	22.25"	22.25"	22.25"	21"
Weight (Net Dry)	94 lbs	162 lbs	162 lbs	187 lbs	193 lbs	258 lbs

**NOTES:** ① Batteries are not included or available on any Electric Start Models.

② Proper engine maintenance is required. Engine warranty per manufacturer.

Baldor reserves the right to implement specifications or design changes without notice.

**WARNING:** Do not connect generator to any building's electrical system unless a disconnect switch has been installed. Follow local and national electrical codes for proper installation.

### Diesel Portable Generators



DG3E

### 3,300 through 6,000 Watts

Baldor diesel generators are designed for rugged applications where diesel fuel is readily available. Whether your application is industrial, farm or rental/construction your Baldor diesel generator is built to deliver dependable quality portable power. These generators are fully equipped with a volt meter and hour meter and like the rest of Baldor generators they are backed by a 3-year limited warranty.

Catalog Number	Max. Watts	Cont. Watts	Fuel Capacity	Engine	Engine Hp	Volts (60 Hertz)	List Price	Mult. Sym.	Approx. Shp. Wgt.
DG3E ①	3300	3000	2.75 Gal	Hatz	5.5	120/240 VAC	3,582	PG	196
DG6E ①	6000	5500	4.6 Gal	Hatz	9.9	120/240 VAC	4,995	PG	273

**NOTES:** ① Batteries are not included or available on any Electric Start Models.

Baldor reserves the right to implement specifications or design changes without notice.

**WARNING:** Do not connect generator to any building's electrical system unless a disconnect switch has been installed. Follow local and national electrical codes for proper installation.

### Portable Generator Accessories



Baldor offers several accessories for portable generators to enhance portability and easy connection when standby power is needed. Dolly kits are available in 2 or 4 wheel designs and are easy to install. Transfer switches come with indoor rated manual transfer switch, installed circuit breakers, and 25' extension cord ready to connect the transfer switch and generator. Power inlet box kits are also available to provide an outdoor rated connection point for the generator.

Catalog Number	Description	Features	Available for Models	List Price	Mult. Sym.	Approx. Shp. Wgt.
PGD2	2 Wheel Dolly Kit	Two 10" Pneumatic Wheels, Fold Down Handles, Cable Storage Hanger, and Mounting Hardware	Premier, Powerchief and Diesel Models 4,000 to 9,000 Watt	232	G8	20
PGD4	4 Wheel Dolly Kit	Four 10" Pneumatic Wheels, Fold Down Handles, Cable Storage Hanger, and Mounting Hardware	Premier, Powerchief and Diesel Models 4,000 to 9,000 Watt	303	G8	26
GTK30A10	Manual Transfer Switch Kit - 10 Circuit	Indoor Rated Transfer Switch and 25' Generator Ext Cord with L1430 Conn. Transfer Switch Includes circuit breakers, 3 - 15A 1-Pole, 3 - 20A 1-Pole, 1 - 20A 2-Pole, 1 30A 2-Pole, 1 30A 2-Pole Generator Main and 1 60A 2-Pole Main.	Premier, Powerchief and Diesel Models 4,000 to 9,000 Watt	695	G8	37
GTK30PBK	Power Inlet Box Kit	Outdoor Rated Power Inlet Box with 30 Amp L1430 Plug for connection to Generator Extension Cord. Includes Mating Plug for Transfer Switch connection.	GTK30A10 Transfer Switch	130	G8	4

## Baldor Diesel Portable Generator Specifications

Portable Diesel Model	DG3E	DG6E
<b>Features</b>		
Switchless Full Pow'R	std	std
AC Voltmeter	std	std
Hourmeter	std	std
AC Circuit Breakers	std	std
Low Oil Shutdown	std	std
Spark Arrestor Muffler	std	std
Extended Run Fuel Tank	std	std
Tubular Roll Cage	std	std
Neoprene Isolators	std	std
Focal Vibration System (FVS)	std	std
3-Year Warranty ②	std	std
<b>Engine Model</b>		
	Hatz 1B30	Hatz 1B40
Horsepower	5.5	9.9
Cylinder (S)	1	1
Displacement - CC	346	461.9
Starting Systems ①	12 Volt with Recoil	12 Volt with Recoil
<b>Rating</b>		
Max Rating	3300	6000
Rated	3000	5500
Volts	120/240 VAC	120/240 VAC
Amps	25/12.5	50/25
dbA (Ave) @ 7 meters	74	76
<b>Receptacles</b>		
Straight (520R GFCI) 120V, 20A, Duplex	1	2
Twist Lock (L530R) 120V, 30A	1	1
Twist Lock (L1420R) 120/240V, 20A	1	—
Twist Lock (L1430R) 120/240V, 30A	—	1
<b>Fuel System</b>		
Fuel Capacity (U.S. Gallons)	2.75	4.6
Operational Run Time/Full Load	5.4 hr	4.6 hr
Operational Run Time/Half Load	9 hr	6 hr
<b>Dimensions</b>		
Length	24.5"	32"
Width	18.5"	20.5"
Height	21.75"	23.75"
Weight (Net Dry)	172 lbs	246 lbs

**NOTES:** ① Batteries are not included or available on any Electric Start Models.

② Proper engine maintenance is required. Engine warranty per manufacturer.

Baldor reserves the right to implement specifications or design changes without notice.

**WARNING:** Do not connect generator to any building's electrical system unless a disconnect switch has been installed.

Follow local and national electrical codes for proper installation.



# Full Range of Motion



Baldor's full range of motion control products provide unmatched quality, high performance, ease of use and superior reliability. From controls, drives and motors, to our Mint<sup>®</sup> programming language and Ethernet capability, Baldor products install and operate seamlessly with each other.

Simple applications or the most complex, available from stock or custom made, Baldor is your one source for a full range of motion products.

[baldor.com](http://baldor.com)

- Easy to Use
- Unmatched Quality
- Superior Reliability
- Quickest Delivery Available

**BALDOR**

**For information about Servo Motors and Controls,  
Contact your local Baldor•Reliance District Office**

<b>M1</b>	<b>Balance</b>	.....	478
	M1A	Dynamic Balance of Rotors	
<b>M2</b>	<b>Bearings</b>	.....	478
	M2A	Sealed or Double Shielded	
	M2B	Ball to Roller	
	M2C	Bearing Thermocouples	
	M2D	Bearing RTD'S	
	M2E	Add Double Sealed Bearings up to a 365T Frame	
	M2F	Add Ceramic Bearings NEMA 254T through NEMA 565T	
<b>M3</b>	<b>Brake Motors</b>	.....	480
	M3A	Convert Standard to Weatherproof	
	M3B	Convert to Vertical Mounting	
	M3C	Add Larger or Smaller Brake	
	M3D	Electrical Modifications	
	M3E	Add a Double C-Face or Coupler Brake	
	M3F	Remove Brake from a Brake Motor	
<b>M4</b>	<b>Conduit Box</b>	.....	482
	M4A	Tap or Provide Additional Lead Hole	
	M4B	Rotate Conduit Box Lead Opening	
	M4C	Add Second Oversized Cast Iron Conduit box	
	M4D	Add Small Accessory Box	
	M4E	Add 3.5" Round Accessory box	
	M4F	Replace Die Cast Aluminum Conduit Box	
<b>M5</b>	<b>Cord</b>	.....	483
	M5A	Install Line Cord in Conduit Box or Terminal Panel	
	M5B	Install 6 Foot, 3 Conductor, Type SO Cord	
<b>M6</b>	<b>Switch</b>	.....	484
	M6A	Install Switch, Cord and Plug	
	M6B	Change from Mechanical to Electronic Switch	
<b>M7</b>	<b>Drains</b>	.....	484
	M7A	Add Condensation Drain Holes	
	M7B	Install "T" Drain	
	M7C	Close Standard Condensation Drain Holes	
	M7D	Add Breather Drain to Cast Iron Explosion Proof Motors	
<b>M8</b>	<b>Dripcovers</b>	.....	485
	M8A	Install Dripcover on TEFC or ODP	
<b>M9</b>	<b>Slurry Coat &amp; Encapsulation</b>	.....	486
	M9A	Slurry Coat Winding Endturns	
	M9B	Encapsulation of Winding	
<b>M10</b>	<b>Leads</b>	.....	486
	M10A	Install Terminal Lugs	
	M10B	Reconnect from Nine Leads to Three Leads	
	M10C	Re-mark Leads	
	M10D	Longer Leads	
<b>M11</b>	<b>Lubrication</b>	.....	487
	M11A	Install Low Temperature Bearing Lubricant	
	M11B	Add High Temperature or Customer Supplied Grease	
<b>M12</b>	<b>Seals</b>	.....	488
	M12A	Install Oil Seals	
	M12B	Install Inpro/Seal®	

<b>M13</b>	<b>Mountings</b>	.....	489
	M13A	Add Rigid Base	
	M13B	Install NEMA C-Face - Steel Band Construction	
	M13C	Install NEMA C-Face - Cast Iron Construction	
	M13D	Add NEMA D-Flange	
	M13E	Remove Rigid Base	
	M13F	Convert to F-2, Sidewall or Ceiling Mount	
	M13G	Install NEMA C Face to Explosion Proof Motors	
	M13H	Mount Dust Control Unit on Grinders	
	M13I	Mount Grinder or Buffer onto a Pedestal and Package for Shipment	
	M13J	Add Adjustable Bases	
	<b>Mounting Diagrams</b>	.....	493
<b>M14</b>	<b>Export Packaging</b>	.....	494
	M14A	Box, Package and Crate	
<b>M15</b>	<b>Nameplate</b>	.....	494
	M15A	Provide Auxiliary Data Plate	
	M15B	Replace/Add Customer Nameplate	
	M15C	Replace with Stainless Steel Nameplate	
	M15D	Add Bearing Data Nameplate	
	M15E	Mail Nameplates To District Offices	
<b>M16</b>	<b>Blowers</b>	.....	495
	M16A	Add Constant Velocity Blower Unit	
	M16B	Convert from a Three Phase to a Single Phase Blower	
<b>M17</b>	<b>Paint</b>	.....	495
	M17A	Paint Motor to Baldor Stock Color	
	M17B	Paint Motor to Customer Color	
<b>M18</b>	<b>Lifting Lugs</b>	.....	496
	M18A	Add Lifting Lugs up to a 326T Frame Size	
<b>M19</b>	<b>Screens</b>	.....	496
	M19A	Add Rodent Screens to Open Drip-Proof Motors	
<b>M20</b>	<b>Hardware</b>	.....	496
	M20A	Exchange Plated Hardware for Stainless Steel	
<b>M21</b>	<b>Space Heaters</b>	.....	497
	M21A	Add Space Heaters to TEFC or Open Motors	
	M21B	Add Conduit Box for Thermostat or Heater Leads	
<b>M22</b>	<b>Textile Service</b>	.....	497
	M22A	Lint Proof Fan Cover	
<b>M23</b>	<b>Thermal Protectors</b>	.....	498
	M23A	Thermostats	
	M23B	Exchange Thermal Overload	
	M23C	Install Resistance Temperatures Detectors	
<b>M24</b>	<b>Thermocouples</b>	.....	499
	M24A	Iron Constantan	
<b>M25</b>	<b>Thermistors</b>	.....	499
	M25A	One or Two Thermistor	
	M25B	Three Thermistors	
<b>M26</b>	<b>Tropicalization</b>	.....	500
	M26A	Protection of Windings and Mechanical Parts	

Gearmotors and Gear Products

PT Components

Motor Accessories

Grinders

Generators

Servo Motors and Controls

Mod Express

Baldor Education Workshops

Classifications and Sales Offices

EISA Compliance Table & Index

<b>Modification Number</b>	<b>Motor Mod Express®</b>	<b>Page No.</b>
----------------------------	---------------------------	-----------------

<b>M27</b>	<b>Weatherproofing</b>	.....	500
	M27A	Treatment of Windings and Mechanical Parts	
<b>M28</b>	<b>Marine Motors</b>	.....	500
	M28A	IEEE 45	
<b>M29</b>	<b>Shaft Modifications</b>	.....	501
	M29A	Drill and Tap or Flat	
	M29B	Convert from TEFC to TEAO	
	M29C	Threading	
	M29D	Shorten by 1/4" or Reduce Diameter	
	M29F	Shorten Shafts without Reducing the Overall Dimension	
	M29G	Special Shafts	
	M29H	Convert to a Longer Shaft up to a 215 Frame	
	M29I	Machine Explosion Proof Motor Shafts from T to a U Frame	
	M29J	Shaft Grounding Brush Assembly	
<b>M30</b>	<b>Grounding Screws</b>	.....	502
	M30A	Add Grounding Screw on Endplate	
<b>M31</b>	<b>Tach and Encoder Mounting Kits</b>	.....	503
	M31A	Add Tach Mounting Kits to DC Motors	
	M31B	Add Tach Mounting Kits with BTG1000 Tach	
	M31C	Add Tach Mounting Kits with XPY Tach	
	M31D	Add Encoder Kit to Inverter Duty Motors	
	M31E	Additional Mounted Encoder Option for IDRPM Motors	
<b>M32</b>	<b>Testing</b>	.....	504
	M32A	Performance Testing Per IEEE 112	
	M32B	Witnessed IEEE 112 Performance Testing	
<b>M33</b>	<b>Short Test</b>	.....	504
	M33A	Short Test	
	M33B	Routine Test	
	M33C	Complete Motor Test	
	M33D	Calibration Test	
	M33E	Sound Measurement Test	
<b>M34</b>	<b>Worm Gear Modifications</b>	.....	505
	M34A	Install Bases on Worm Gear Speed Reducers	
	M34B	Convert From Single to Double End Output Shaft on Worm Gear Speed Reducers	
	M34C	Convert Output Shaft from Left Hand to Right Hand or Vice Versa on 900 or Universal Series Reducers	
	M34D	Install Motor on 900 F-Series or Universal STF-Series Reducers	
<b>M35</b>	<b>Terminal Blocks (50Hz, 3 Phase Motors Only)</b>	.....	506
	M35A	Install Terminal Blocks in Conduit Box and Connect Leads	
<b>M36</b>	<b>Starters</b>	.....	506
	M36A	Add Magnetic or Manual Starter to Grinder or Buffer – Starter – Single Phase	
	M36B	Add Magnetic or Manual Starter to Grinder or Buffer – Starter – Three Phase	
	M36C	Add Magnetic or Manual Starter to Grinder or Buffer – Magnetic Starter – Three Phase	
	M36D	Overload Protection for Dust Control Unit	
<b>M37</b>	<b>Voltage</b>	.....	507
	M37A	Change a Grinder Dust Control Unit to a 575 Volt	
<b>M38</b>	<b>Fan Change</b>	.....	507
	M38A	Change TEFC fan and nameplate for adjustable speed use	
<b>M39</b>	<b>Shaft Grounding</b>	.....	508
	M39A	Shaft Grounding Systems	
	M39B	Aegis SGR™ Inpro/Seal CDR™ and Inpro/Seal MGS™ with Labrinth Seal	

**Motor Mod Express®****Ordering Information**

**Note:** Motors made for sale in the U.S. by Baldor must comply with the Energy Independence and Security Act of 2007 (EISA) including those modified from stock. After any modification, the motor must comply with the Energy Independence and Security Act of 2007 (EISA) or the applicable regulations such as Natural Resources Canada.

For example, it is not permissible to take a footless VM3615T and add a base to it. Such a base-mounted motor needs to comply with NEMA MG 1, table 12-12 for a premium motor which means a VEM Super-E® motor should have been used instead.

To order, specify the catalog number of the stock product and the MOD number. Use the motor discount for the motor. All modifications should be priced using the modification list price, applying the appropriate multiplier symbol for the motor. **Lead times indicated are subject to availability of stock motors in the Fort Smith Warehouse.** Customer will absorb all freight costs when motor is shipped to Fort Smith from field warehouses.

**NOTE: Some modifications do not apply to explosion-proof motors. Contact Baldor for Approval.**

**MOD Express Cancellation Policy**

Should it be necessary to cancel an order for a motor after it is modified, but before it ships – a cancellation charge of double the modification charge will be invoiced to the customer. Any MOD order cancelled before modification is completed is subject to 25% cancellation charge.

Once shipped, modified motors returned at purchaser's expense will be invoiced at double the MOD fee plus 10% restock fee.

**NOTE: Mod Express for RPM AC, RPM III DC and V\*S Master is available. Contact your local Baldor•Reliance District Office for details.**

**Note**

All lead times indicated are subject to availability of stock motors and parts in the Fort Smith warehouse. Please check stock availability before quoting lead time.

Some conversions may not be allowed if they result in a change of operating parameters that affect efficiency or change the classification of EPAAct motors.

Modification prices do not include the cost of the motor, speed reducer, etc.

### Modification Number

### Motor Mod Express® Description and List Price

### Working Days Required

## M1 Balance

### M1A Dynamic Balance of Rotor

Re-balance stock motor to special balance NEMA 42 through G5012

TWO DAYS

Squirrel Cage Type			
NEMA Frame	Standard Balance	Special Balance	List Price Per Motor
42 - 215T	0.15"/s	0.08"/s	206
254T - 286	0.15"/s	0.08"/s	599
324 - 364	0.15"/s	0.08"/s	1172
404 - 445	0.15"/s	0.08"/s	3512
449T	0.15"/s	0.10"/s	6123
G5008 - G5012	0.15"/s	0.10"/s	7654
DC Motor			
56	0.15"/s	0.08"/s	308
182 - 184	0.15"/s	0.08"/s	403
213 - 215	0.15"/s	0.08"/s	435

**NOTE:** Balance units are for velocity in inches per second.  
449T - up, contact your Baldor representative.

## M2 Bearings

### M2A Sealed

NEMA 42 through 215T AC stock motors have double shielded bearings as standard. DC motors have sealed bearings. This modification provides the option of replacing standard bearings in AC motors with sealed bearings.

TWO DAYS

NEMA Frame	List Price Per Motor Sealed
42	148
48	148
56	148
143 - 145T	153
182 - 184T	166
213 - 215T	178

**NOTE:** The above modifications are not recommended for NEMA 254T and larger TEFC motors. See M2E for 254T and larger ODP. Contact your Baldor Representative.

**Grease fittings will be replaced with slotted head pipe plugs unless otherwise specified.**

### M2B Ball to Roller 1800 RPM or Below

Roller bearings have the capability to handle higher radial loads than ball bearings, but must have minimum radial loads to operate correctly. Roller bearings must only be used in belted loads.

they are not suitable for direct-coupled loads. Conversion of any motor to roller bearings should not be performed unless Baldor evaluates the belt load. A roller bearing evaluation sheet must be filled out and calculated by Baldor. Contact your District Office for details. See main catalog sections for motors stocked with roller bearings shown with a "TR" after catalog number (ECP4408TR-4).

**Does Not Apply to Explosion-Proof Motors or designs that must be built as custom motors.**

CONTACT YOUR BALDOR DISTRICT OFFICE

NEMA Frame	List Price Per Motor
G445-449T*	4674
G5008L - G5012L**	5086

**NOTE:** \*447T - 4 pole and slower only. If belted load evaluation indicates a high strength steel shaft is required, please enter a custom order. Contact Baldor for lead time and freight charges back to plant of manufacturing.

\*\*Applicable to G5000 4-pole designs with "L" Shaft.



**Modification  
Number**

**Motor Mod Express®  
Description and List Price**

**Working Days  
Required**

**M2 Bearings continued...**

**M2C Add Thermocouple to Bearing Housing**

Iron constantan thermocouples unless specified otherwise.

-CONTACT  
YOUR  
BALDOR  
DISTRICT  
OFFICE

NEMA Frame	List Price Per Bearing
449T - G5012	1769

**NOTE:** Contact Baldor for lead time and freight charges back to plant of manufacturing.

**M2D Install Bearing Temperature Detector**

100 OHM Platinum Standard. (10 OHM and 120 OHM available)

CONTACT  
YOUR  
BALDOR  
DISTRICT  
OFFICE

NEMA Frame	List Price Per Bearing
449T - G5012	2956

**NOTE:** Leads for thermocouples or RTD's are brought into separate terminal housing. Price includes adder for M4E. Contact Baldor for lead time and freight charges back to plant of manufacturing.

**M2E Add Double Sealed Bearings NEMA 254T Through NEMA 365T, Open Steel Band Only**

Stock motors have double shielded bearings as standard.

TWO  
DAYS

NEMA Frame	List Price Per Motor Sealed
254T - 256T	481
284T - 286T	532
324T - 326T	633
364T - 365T	758

**NOTE:** Grease fittings will be replaced with slotted head pipe plugs.

**M2F Add Isolated Bearings NEMA 254T through NEMA 365T (SKF Insocoat or equivalent)**

TWO  
DAYS

NEMA Frame	List Price Per Motor Sealed
254T - 256T	2060
284T - 286T	2584
324T - 326T	2881
364T - 365T	2986

Gearmotors and Gear Products

PT Components

Motor Accessories

Grinders

Generators

Servo Motors and Controls

Mod Express

Baldor Education Workshops

Classifications and Sales Offices

EISA Compliance Table & Index

### Modification Number

### Motor Mod Express® Description and List Price

### Working Days Required

## M3 Brake Motors

### M3A Convert Standard to Weatherproof

Standard base mounted, TEFC brake motors will be converted to W/P brake motors. Includes replacement of standard brake with W/P brake of the same rating and weatherproofing of motor (See M27).

CONTACT YOUR BALDOR DISTRICT OFFICE

Brake Rating lb-ft	List Price Per Motor	Brake Rating lb-ft	List Price Per Motor
3	571	50	1172
6	581	75	1210
10	589	105	1474
15	662	125	2284
25	668	175	2930
35	697	230	3149

**NOTE:** TENV, C-Face brake motors can be converted also. **TEFC C-Face brake motors cannot be converted.**

### M3B Convert to Vertical Mounting

Standard brake motors will be modified so that brakes will be operable in a brake-below motor or a brake-above motor vertical mounting position.

CONTACT YOUR BALDOR DISTRICT OFFICE

Brake Rating lb-ft	List Price Per Motor	Explosion-Proof List Per Motor-Additional
10 - 15	STD	140
25 - 35	324	196
50 - 75	366	221
105	485	292
125 - 175	809	486
230	1023	

**NOTE:** Specify if brake is to be above or below motor

### M3C Add Larger or Smaller Brake (All Types)

Contact Baldor for application assistance.  
\$271 list per brake (plus difference in brake cost)

CONTACT YOUR BALDOR DISTRICT OFFICE

**Modification  
Number**

**Motor Mod Express®  
Description and List Price**

**Working Days  
Required**

**M3 Brake Motors continued...**

**M3D**

**Electrical Modifications**

Brake coils will be changed to allow operation from different voltage supplies for both 50 and 60 hertz AC or from DC supplies. External brake coil lead connections will be brought from the brake or from the motor conduit box when necessary in the application. Specify brake lead location, voltage of brake coil, frequency of supply source. (Allow 2 weeks for brake coil delivery.) \$248 List per brake (plus any difference in coil cost).

CONTACT  
YOUR  
BALDOR  
DISTRICT  
OFFICE

**M3E**

**Add a Double C-Face Coupler Brake**

Double C-Face coupler brakes. Mounts on motors with C-Face. Provides NEMA C-Face mounting on brake. Spring set, electrically released.

CONTACT  
YOUR  
BALDOR  
DISTRICT  
OFFICE

Brake Rating lb-ft	Brake Mounting	List Price Per Motor
3	56C	733
6	56C	974
6	145TC	974
10	145TC	1101
15	145TC	2104

**NOTE:** Rating up to a 105 ft. lb. is available. Contact Baldor Representative for approval and delivery time.

**M3F**

**Remove Brake From a Brake Motor**

Brake is removed for customers who will be supplying a brake at their location.

CONTACT  
YOUR  
BALDOR  
DISTRICT  
OFFICE

Brake Rating	List Price Per Motor
All	162

Gearmotors and  
Gear Products

PT Components

Motor  
Accessories

Grinders

Generators

Servo Motors  
and Controls

Mod Express

Baldor Education  
Workshops

Classifications  
and Sales Offices

EISA Compliance  
Table & Index

### Modification Number

### Motor Mod Express® Description and List Price

### Working Days Required

## M4 Conduit Box

### M4A Tap or Provide Additional Lead Hole

TWO DAYS

Lead outlet hole in conduit box with dimensions as shown below will be tapped to accept threaded conduit as shown in "Optional threaded hole..." column below. An additional clearance hole or threaded hole may be supplied if specified. Use same list adder for threaded hole.

NEMA Frame	Stock Motor		Optional Threaded Hole For Conduit Size	List Price Per Motor	Oversize Box	List Price Per Motor
	Hole Diameter *	For Conduit Size				
48 - 145T	7/8"	1/2"	3/4"	111	48-56	123
182 - 215T	1-1/16"	3/4"	1"	111	143-145T	138
254 - 256T	1-3/8"	1"	1-1/4"	181	182-184T	152
284 - 326T	2"	1-1/2"	2"	181	213-215T	168
364 - 365T	2-1/2"	2"	2-1/2"	243		
404 - 405T	3"	2 1/2"	3"	264		
444 - 447T	3"	2-1/2"	3"	264		

**NOTE: \*** Stock motor lead holes are not threaded except on Dirty Duty and Chemical Process motors. Extra lead holes do not apply to Explosion Proof motors. If additional hole is needed, specify hole diameter and exact location. Contact your Baldor representative for application assistance.

### M4B Rotate Conduit Box Lead Opening

TWO DAYS

Specify lead opening location facing conduit box  
List Per Motor: \$129

### M4C Add Oversized Cast Iron Conduit Box

TWO DAYS

2100 Cubic Inches

NEMA Frame	List Price Per Motor
449T	261

**NOTE:** Consider use of IEEE 841 motors that have oversized conduit boxes standard.

### M4E Add 3.5" Round Accessory Box

-CONTACT YOUR BALDOR DISTRICT OFFICE

12 Cubic Inches - for Thermostat, Heater or accessory leads.

NEMA Frame	List Price Per Motor
G5008 - G5012	1271

**NOTE:** Contact Baldor for lead time and freight charges back to plant of manufacturing.

**Modification  
Number**

**Motor Mod Express®  
Description and List Price**

**Working Days  
Required**

**M4 Conduit Box continued...**

**M4F Replace Die Cast Aluminum Conduit Box**  
Install cast iron conduit box with drilled and tapped entrance hole.

TWO  
DAYS

NEMA Frame	List Price Per Motor
42 - 56	111
143 - 215T	133
254 - 286T	202
324 - 365T	244

**M5 Cord**

**M5A Install Line Cord in Conduit Box or Terminal Panel**  
Heavy duty, industrial type SO oil resistant cord with ground will be installed in conduit box or terminal panel. Strain relief included. Plug not included. **Does Not Apply to Explosion-Proof Motors**

TWO  
DAYS

Wire Gauge	Amp Rating		Six Feet or Less List Price	Each Additional Foot to Ten Max. - List Price
	Single Phase	Three Phase		
18	10	7	117	9
16	13	10	117	10
14	18	15	135	12
12	25	20	142	13

**NOTE:** Specify voltage and rotation facing drive end of motor.

**M5B Install 6 Foot, 3 Conductor, Type SO Cord With Plug**  
With ground plug for 115VAC, single phase only. Not for explosion proof motors.

TWO  
DAYS

Hp	List Price Per Motor
1 and smaller	125

**NOTE:** Advise rotation facing drive end of motor

Gearmotors and  
Gear Products

PT Components

Motor  
Accessories

Grinders

Generators

Servo Motors  
and Controls

Mod Express

Baldor Education  
Workshops

Classifications  
and Sales Offices

EISA Compliance  
Table & Index

### Modification Number

### Motor Mod Express® Description and List Price

### Working Days Required

## M6 Switch

### M6A Install Switch, Cord and Plug (Single Phase Only)

TWO DAYS

Includes installation of cord with ground prong and two pole single throw switch. **Does Not Apply to Explosion-Proof Motors**

Hp	Rating	List Price per Motor
Thru 2	16-20A/115V or 230V	263

**NOTE:** Advise voltage and rotation facing drive end of motor

### M6C Change from Mechanical to Electronic (Single Phase Only)

TWO DAYS

UP to 2 HP (Includes price of switch). Remove mechanical switch from inside motor and install electronic switch in motor conduit box. Contact Baldor for assistance. List Each: \$276  
**Does Not Apply to Explosion-Proof Motors**

## M7 Drains

### M7A Add Condensation Drain Holes

TWO DAYS

A maximum of two additional drilled holes will be made in both endplates of 215T frame and smaller TEFC motors.

A maximum of one additional cross-drilled drain fitting will be installed in both endplates of 254T frame and larger TEFC motors.

**Does Not Apply to Explosion-Proof Motors**

NEMA Frame	List Price Per Motor
215T and Smaller	196
254T - 449T	267
G5008 - G5012	653

**NOTE:** Indicate position of drain holes in each endplate.

### M7B Install "T" Drain

TWO DAYS

Install one stainless steel "T" drain in each end bracket in existing hole.  
**Does Not Apply to Explosion-Proof Motors**

NEMA Frame	List Price Per Motor
254T - G5012	510

Gearmotors and Gear Products

PT Components

Motor Accessories

Grinders

Gearmotors

Servo Motors and Controls

Mod Express

Baldor Education Workshop

Classifications and Sales Offices

EISA Compliance Table & Index



**Modification  
Number**

**Motor Mod Express®  
Description and List Price**

**Working Days  
Required**

**M7 Drains continued...**

**M7C Close Standard Condensation Drain Holes.**  
Close existing drain holes with plugs.  
**Does Not Apply to Explosion-Proof Motors**

TWO  
DAYS

NEMA Frame	List Price Per Motor
215T and Smaller	163
254T - G5012	196

**M7D Add Breather Drains to Cast Iron Explosion-Proof Motor.**

TWO  
DAYS

NEMA Frame	List Price Per Motor
48 - 215T	344
254 - 449T	397

**M8 Dripcovers**

**M8A Install Dripcover on TEFC or ODP**

TWO  
DAYS

NEMA Frame	List Price Per Motor ODP or TEFC
48 - 145T	129
182 - 184T	139
213 - 215T	155
254 - 256T	178
284 - 286T	215
324 - 326T	238
364 - 365T	430
404-405T (NEMA Frame)	430

Gearmotors and Gear Products

PT Components

Motor Accessories

Grinders

Generators

Servo Motors and Controls

Mod Express

Baldor Education Workshops

Classifications and Sales Offices

EISA Compliance Table & Index

### Modification Number

### Motor Mod Express® Description and List Price

### Working Days Required

## M9 Slurry Coat & Encapsulation

### M9A Slurry Coat Winding Endturns for Additional Environmental Protection.

TWO DAYS

Endturns are coated with Dolphon® CB-1128, flexible motor varnish component.

NEMA Frame	List Price Per Motor
48 - 145T	281
182 - 184T	317
213 - 215T	411
254 - 256T	522
284 - 286T	564
324 - 326T	632
364 - 365T	775
404 - 405T	886
444 - 449T	1022
G449 - G5012	(Medium Voltage and all G5000 motors have VPI epoxy varnish - ENCAP NOT NEEDED)

### M9B Encapsulation

Encapsulation is available on SSE Washdown Duty motors and as a custom motor option. Not available as ModX.

## M10 Leads

### M10A Install Terminal Lugs

Specify type of lug. Subject to availability

TWO DAYS

NEMA Frame	List Price Per Motor
215T and Smaller	129
254 - 326T	187
364 - 447T	235
449T - G5012	292

### M10B Reconnect Motor from Nine Leads to Three, Specify Voltage When Ordering

TWO DAYS

NEMA Frame	List Price Per Motor
42 - 145T	142
182 - 184T	221
213 - 215T	293
254 - 256T	330
284 - 286T	435
324 - 326T	550

**NOTE:** On explosion proof, leads are connected in conduit box.

**Modification  
Number**

**Motor Mod Express®  
Description and List Price**

**Working Days  
Required**

**M10 Leads continued...**

**M10C Re-Mark Leads**

Using Cloth Markers - Specify Markings, Letters or Numbers  
Any Size - List Per Motor: \$142

TWO  
DAYS

**M10D Longer Leads, Total Length Up To:**

NEMA Frame	List Price		
	18 Inches	24 Inches	36 Inches
42-145T	287	356	396
182-184T	301	372	407
213-215T	317	388	427

TWO  
DAYS

**Does Not Apply to Explosion-Proof Motors**

**M11 Lubrication**

**M11A Install Low Temperature  
Lubricant in Bearings**

Bearing grease may be changed to allow an operating temperature range for bearings of -55° to +200°F. Standard grease is Exxon POLYREX®EM, with bearing operating temperature range of -15° to +250°F.

TWO  
DAYS

NEMA Frame	List Price Per Motor
48	111
56 - 145T	119
182 - 184T	127
213 - 215T	132
254 - 256T	169
284 - 286T	187
324 - 326T	263
364 - 365T	281
404 - 405T	447
444 - 449T	617

**NOTE:** Single shield or open bearing only.  
Low temperature operation below -25C(-13F)

**Does Not Apply to Explosion-Proof Motors**

Gearmotors and  
Gear Products

PT Components

Motor  
Accessories

Grinders

Generators

Servo Motors  
and Controls

Mod Express

Baldor Education  
Workshops

Classifications  
and Sales Offices

EISA Compliance  
Table & Index

### Modification Number

### Motor Mod Express® Description and List Price

### Working Days Required

## M11 Lubrication continued...

### M11B Add High Temperature or Customer Supplied Grease

TWO  
DAYS

Bearing grease may be changed to allow an operating temperature range above the standard grease, which is Exxon POLYREX®EM, with bearing operating temperature range of -15° to +250°F. Motors must be studied by Fort Smith application engineering for acceptable temperature rise above 40°C ambient.

Customer-supplied grease must be suitable for the motor application and approved by Fort Smith application engineering. Grease must be accompanied with MSDS data sheets.

**Does Not Apply to Explosion-Proof Motors**

NEMA Frame	List Price Per Motor
48	111
56 - 145T	119
182 - 184T	127
213 - 215T	132
254 - 256T	169
284 - 286T	187
324 - 326T	263
364 - 365T	281
404 - 405T	447
444 - 449T	617

**NOTE:** Contact your Baldor representative to discuss application prior to ordering.

## M12 Seals

### M12A Install Oil Seals

CONTACT  
YOUR  
BALDOR  
DISTRICT  
OFFICE

NEMA Frame	List Price Each
56	301
143T - 145T	301
182T - 184T	333
213T - 215T	367
254T - 256T	506
284T - 286T	593
324T - 326T	670
364T - 365T	843

**NOTE:** Contact your Baldor representative for larger frame sizes.

**Does Not Apply to Explosion-Proof Motors**

**Modification  
Number**

**Motor Mod Express®  
Description and List Price**

**Working Days  
Required**

**M12 Seals continued...**

**M12B Install Inpro/Seal® Drive End Only**

FOUR  
DAYS

Contact Baldor for Other Frame Sizes.

**NOTE:** Contact Baldor for opposite drive end installation or order IEEE 841 motor from stock..

**Does Not Apply to Explosion-Proof Motors**

NEMA Frame	List Price Each
143T-215T.	943
254-256T	1181
284-286T	1259
324-326T	1336
364-365T	1533
404-405T	1609
444-449T	1961
G5008 - G5012	2310

**M13 Mountings**

**M13A Add Rigid Base**

TWO  
DAYS

Weld stamped steel base to steel band motors.

Not available if conversion results in motors that fall under EPAAct requirements.

NEMA Frame	List Price Per Motor
42 - 48	148
56	151
143 - 145T	151
182 - 184T	184
213 - 215T	221

**NOTE:** Not available for cast iron motors.

**M13B Install NEMA C-Face Steel Band Motor Construction**

TWO  
DAYS

Add to rigid base mounted motor. Not for explosion proof motors.

NEMA Frame	List Price Per Motor
42, 48 & 56	194
143 - 145T (1)	194
182 - 184T (1)	213
213 - 215T (1)	258
254 - 256T (2)	491
284 - 286T (2)	666
324 - 326T (2)	871

284T &  
LARGER  
SUBJECT TO  
CASTING  
AVAILABILITY

**NOTE:** (1) These motors will have a non-NEMA BA dimension when C-Face is added.  
(2) Applies to ODP only.

**Open motors having type numbers beginning with "34" cannot be modified to C-Face. Contact your Baldor representative for details.**

Gearmotors and  
Gear Products

PT Components

Motor  
Accessories

Grinders

Generators

Servo Motors  
and Controls

Mod Express

Baldor Education  
Workshops

Classifications  
and Sales Offices

EISA Compliance  
Table & Index

### Modification Number

### Motor Mod Express® Description and List Price

### Working Days Required

## M13 Mountings continued...

### M13C Install NEMA C-Face - Cast Iron Construction

TWO DAYS

Or Install Cast Iron Endplate where aluminum die cast parts are supplied as standard. **Does Not Apply to Explosion-Proof Motors**

NEMA Frame	List Addition Each End	
	NEMA C-Face Price	Endplate Price
48 & 56	206	133
143 - 145T (1)	206	140
182 - 184T (1)	248	148
213 - 215T (1)	285	163
254 - 256T	632	(2)
284 - 286T	871	(2)
324 - 326T	942	(2)
364 - 365T	1016	(2)
404 - 405T	1268	(2)
444 - 449T	1521	(2)

**NOTE:** (1) These motors will have a non-NEMA BA dimension when C-Face is added. Specify C-face or Standard horizontal endplate.

(2) Motors have Cast Iron endplates as standard.

**Westville open motors cannot be modified to C-Face. IEEE 841 motors cannot be modified to C-Face.**

Contact Baldor.

### M13D Add NEMA D-Flange

Some motors may be converted to D-Flange mounting. Contact your Baldor representative for availability and pricing.

CONTACT YOUR BALDOR DISTRICT OFFICE

**NOTE:** Some metric flanges are available. Contact your Baldor representative.

**Does Not Apply to Explosion-Proof Motors**

Baldor Type	NEMA Frame	Open	TEFC	List Price Per Motor
35	56-145T	35EP1604A01	35EP1506A01	351
36	182-4T	36EP1405A09	36EP1304A01 +++	365
306	182-4T	None	36EP1304A01 +++	365
309	254-5U, T	None	09EP1500A04 **	942
310	284-6U, T	None	10EP1502A01	1051
42	324-6U, T	42EP1601A01	None	869
312	324-6U, T	None	12EP1501A03	1196
36G	364-5U, T	—	—	1377
40G	404-5U, T	—	—	1775
40G	444-5U, T	—	—	2607

**NOTE:** \*\* Must start with motor that already has C-Face on it

+++ These require a special machined D-flange, available only through Mod Express

### M13E Remove Rigid Base From Foot Mounted Steel Band Motors.

TWO DAYS

NEMA Frame	List Price Per Motor	NEMA Frame	List Price Per Motor
42 - 48	197	213 - 215T	328
56	202	254 - 256T	466
143 - 145T	202	284 - 286T	529
182 - 184T	246	324 - 326T	649

**NOTE:** Bases cannot be removed from explosion proof motors.



**Modification  
Number**

**Motor Mod Express®  
Description and List Price**

**Working Days  
Required**

**M13 Mountings continued...**

**M13F Convert to F-2, Sidewall, or Ceiling Mount**

THREE  
DAYS

AC motors and DC motors through 10 Hp

Consists of repositioning endplate vents, condensation drains, and where applicable, the conduit box to positions shown in chart on page 495.

**Does Not Apply to Explosion-Proof Motors**

NEMA Frame	F2		C1 W1		C2 W2		W4	W5	W3	W8	List Price Per Motor
	ODP	TEFC	ODP	TEFC	ODP	TEFC	W7	W6	W6		
UP TO 184T	Yes	Yes	Yes	Yes	Yes	Yes	Yes	Yes	Yes	Yes	293
213 - 215T	Yes	Yes	Yes	Yes	Yes	Yes	Yes	Yes	Yes	Yes	321
254 - 326T	No	Yes	No	Yes	Yes	Yes	No	Yes	Yes	Yes	382
365T - 449T	Yes	Yes	No	Yes	Yes	Yes	No	Yes	Yes	Yes	492
G5008 - G5012		Yes		Yes		Yes		Yes		Yes	904

**NOTE:** Specify mounting style from the drawings on page 495. Open slotted band motors are not convertible to "C" or "W" mountings. 09 or larger with CB @ 12 o'clock location requires 3 days lead time. DC motors would be converted at the manufacturing plant. Contact scheduling to check availability of production motors or to ship motor from Fort Smith for conversion. Contact your Baldor representative.

**M13G Add C-Face to Explosion Proof Motors**

THREE  
DAYS

Only available on NEMA frames shown below.

NEMA Frame	List Price Per Motor
56	236
143 - 145T	236
284 - 286T	1703
324 - 326T	2330
364 - 365T	2607
404 - 405T	3076

**NOTE:** Any other frame size must be built as a custom item.

**M13H Mount Dust Control Unit on Grinders**

TWO  
DAYS

**Does Not Include Dust Control Unit**

Wheel Size	List Price Per Grinder
All	187

Gearmotors and  
Gear Products

PT Components

Motor  
Accessories

Grinders

Generators

Servo Motors  
and Controls

Mod Express

Baldor Education  
Workshops

Classifications  
and Sales Offices

EISA Compliance  
Table & Index

### Modification Number

### Motor Mod Express® Description and List Price

### Working Days Required

## M13 Mountings continued...

### M13I Mount Grinder or Buffer onto a Pedestal and Package for Shipment

TWO  
DAYS

Wheel Size	List Price Per Grinder or Buffer
All	187

### M13J ADD ADJUSTABLE MOTOR BASES

Adjustable motor bases bolted to fixed base on stock motor before shipping. NEMA 215T and smaller bases feature one adjusting screw. Bases on NEMA 254T frame and larger feature two adjusting screws.

TWO  
DAYS

NEMA Frame	List Price Per Motor
48 - 56	162
143T - 145T	185
182T - 184T	193
213T - 215T	209
254T - 256T	334
284T - 286T	365
324T - 326T	499
364T - 365T	631
404T - 405T	862
444T - 445T	1019
447T - 449T	1173

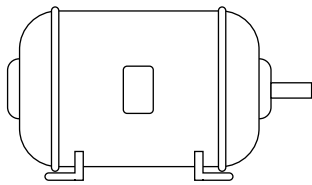
**NOTE:** Bases not suitable for vertical mounting.

**Modification  
Number**

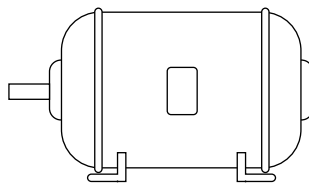
**Motor Mod Express®  
Description and List Price**

**Working Days  
Required**

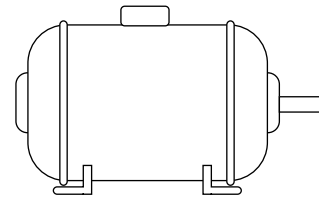
**Floor Mountings**



**Assembly F-1**

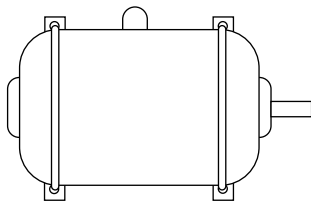


**Assembly F-2**

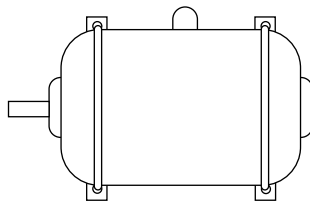


**Assembly F-3**

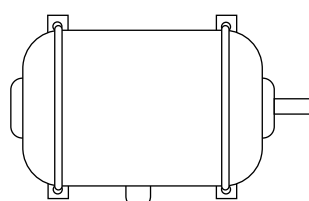
**Wall Mountings**



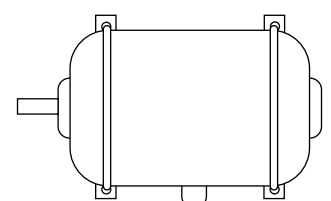
**Assembly W-1**



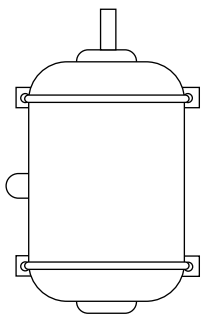
**Assembly W-2**



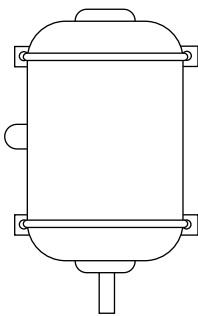
**Assembly W-3**



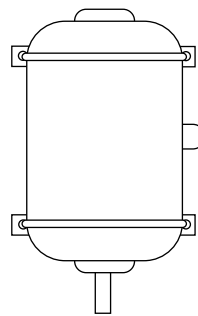
**Assembly W-4**



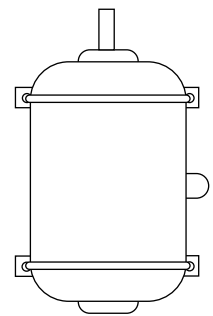
**Assembly W-5**



**Assembly W-6**

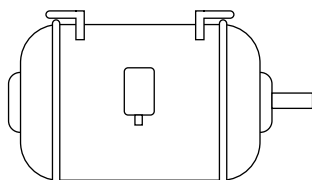


**Assembly W-7**

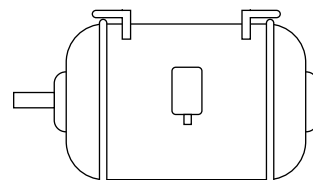


**Assembly W-8**

**Ceiling Mountings**



**Assembly C-1**



**Assembly C-2**

Gearmotors and  
Gear Products

PT Components

Motor  
Accessories

Grinders

Generators

Servo Motors  
and Controls

**Mod Express**

Baldor Education  
Workshops

Classifications  
and Sales Offices

EISA Compliance  
Table & Index

**Modification  
Number****Motor Mod Express®  
Description and List Price****Working Days  
Required****M14 Export Packaging**

**M14A Box, Package and Crate** FOUR DAYS  
For under-deck exporting

NEMA Frame	List Price Each
254 - 286T	710
324 - 365T	1059
405 - 449T	1411
G5008 - G5012	3384

**M15 Nameplate**

**M15A Provide Auxiliary Data Plate for Remote Mounting** TWO DAYS  
Extra nameplate is packed with motor, not mounted.  
List Per Motor: \$108

**M15B Replace/Add Customer Nameplate** TWO DAYS  
Add Customer Part Number and/or other changes such as voltage, hertz, etc.  
List Per Motor: \$129

**M15C Replace with Stainless Steel Nameplate** TWO DAYS  
List Per Motor \$129

**M15D Add Bearing Data Nameplate** TWO DAYS  
List Per Motor \$129  
**NOTE:** Does Not Apply to Explosion-Proof Motors

**M15E Mail Out Nameplates to District Offices**  
**(All CSA and ULR markings are removed on nameplates ordered as a mail out order)**  
**No Explosion Proof Nameplates (No Exceptions!)**  
Order minimum charge of \$27 Add \$2.00 for each additional nameplate.  
**NOTE:** No charge orders only accepted if we are correcting our error.  
Nameplates for Explosion-proof motors will not be mailed out, no exceptions.

**M15F Mark Nameplate with CE** TWO DAYS  
List Per Motor \$129

**Modification  
Number**

**Motor Mod Express®  
Description and List Price**

**Working Days  
Required**

**M16 Blowers**

**M16A Add Constant Velocity Blower Unit**

Contact Baldor for details.

TWO  
DAYS

**M16B Convert from a 3 Phase to a Single Phase Blower**

TWO  
DAYS

NEMA Frame	List Price Per Motor
All	201

**M17 Paint**

**M17A Paint Motor to Baldor Stock Paint Color**

Baldor stock colors are: Dark Machinery Gray, Reliance Blue/Green, Fire Engine Red, Vista Green, Medium Royal Blue, Silver/Grey Hamertone and Copper/Bronze. All are lacquer base.

**All orders that call for Epoxy Paint require an additional day to allow for complete drying of paint.**

TWO  
DAYS

NEMA Frame	List Price Per Motor
42 - 215T	129
254 - 449T	510
G5008 - G5012	1016

**M17B Paint Motor to Customer Color**

Contact your Baldor representative for color match, availability and price.

THREE  
DAYS  
(From Date  
Paint is  
Available  
in Fort Smith)

**NOTE:** Specifying epoxy paint will add one additional day to allow for complete drying of paint.

Gearmotors and  
Gear Products

PT Components

Motor  
Accessories

Grinders

Generators

Servo Motors  
and Controls

Mod Express

Baldor Education  
Workshops

Classifications  
and Sales Offices

EISA Compliance  
Table & Index

**Modification  
Number****Motor Mod Express®  
Description and List Price****Working Days  
Required****M18 Lifting Lugs****M18A Add Lifting Lugs Up to a 326T Frame Size**TWO  
DAYS

NEMA Frame	List Price Per Motor
48 - 145T	193
182 - 215T	239
254 - 286T	311
324 - 326T	380

**M19 Screens****M19A Add Rodent Screens to Open Drip-Proof Motors**TWO  
DAYS

NEMA Frame	List Price Per Motor
48 - 326T	258
364T - 405T	335

**M20 Hardware****M20A Exchange Plated Hardware with Stainless Steel**TWO  
DAYS

NEMA Frame	List Price Per Motor
145T - 215T	473
254T - 326T	789
364T - 405T	1102
444T - G5012	1415



**Modification  
Number**

**Motor Mod Express®  
Description and List Price**

**Working Days  
Required**

**M21 Space Heaters**

**M21A Add Space Heaters to TEFC or Open Motors**

Standard space heater voltage is 110VAC. Heaters for 230 or 460 volts are available. Specify circuit voltage.

TWO  
DAYS

NEMA Frame	List Price Per Motor
145T and Smaller	281
182 - 215T	354
254 - 365T	527
404 - 449T	599
G5008 - G5012	1086

**NOTE:** Strip type space heaters are standard. 5000 frame perform at plant of manufacturing. Contact Baldor for time. **Does Not Apply to Explosion-Proof Motors**

**M21B Add Conduit Box for Thermostat or Heater Leads**

(See M4E) Not for explosion proof motors.

CONTACT  
YOUR  
BALDOR  
DISTRICT  
OFFICE

NEMA Frame	List Price
56 - 145T	388
182 - 215T	454
254 - 365T	686
404 - 449T	867
G5008 - G5012	1271

**NOTE:** Contact Baldor for lead time and freight charges back to plant of manufacturing.

**M22 Textile Service**

**M22A Lint Proof Fan Cover for Textile Applications**

Remove standard fan cover and replace with textile fan shroud and cover.

TWO  
DAYS

NEMA Frame	List Price Per Motor
48 - 145T	257
182 - 184T	335
213 - 215T	378
254 - 256T	540
284 - 286T	634
324 - 326T	701
364 - 365T	832
404 - 405T	904
444 - 449T	977

Gearmotors and  
Gear Products

PT Components

Motor  
Accessories

Grinders

Generators

Servo Motors  
and Controls

Mod Express

Baldor Education  
Workshops

Classifications  
and Sales Offices

EISA Compliance  
Table & Index

### Modification Number

### Motor Mod Express® Description and List Price

### Working Days Required

## M23 Thermal Protectors

### M23A Thermostats

#### One or More Thermostats Laced to Winding

For over temperature protection. These are pilot circuit devices only with leads into conduit box tagged "JJ". Specify normally open or closed contacts. IEEE 841 motors require hermetically sealed thermostats to maintain Division 2 marking.

TWO  
DAYS

NEMA Frame	Number of Devices	Standard List Price Per Motor	Hermetically Sealed for Division 2
Single Phase	1	163	N/A
Three Phase 42 - 215T	3 (3)	184	268
Three Phase 254 - 449T	3 (3)	491	575
Direct Current 48 - 215T	1	184	N/A

**NOTE:** (3) In Series with two leads into conduit box. Normally open are in parallel.

**Does Not Apply to Explosion-Proof Motors**

### M23B Exchange Thermal Overload

Exchange from manual thermal overload to automatic thermal overload or exchange from automatic thermal overload to manual thermal overload.

TWO  
DAYS

NEMA Frame	List Price Per Motor
	M.T.O to A.T.O. OR A.T.O. to M.T.O.
48 and 56	202
143 and 145T	207
182 - 184T	238
213 - 215T	328

**Does Not Apply to Explosion-Proof Motors**

### M23C Install Resistance Temperature Detectors

Install on low voltage winding endturns (Six 100 OHM RTD's).

CONTACT  
YOUR  
BALDOR  
DISTRICT  
OFFICE

NEMA Frame	List Price Per Motor
449T - G5012	3611

**NOTE:** 449T - up contact Baldor for lead time and freight charges back to plant of manufacturing.

**Does Not Apply to Explosion-Proof Motors**

**Modification  
Number**

**Motor Mod Express®  
Description and List Price**

**Working Days  
Required**

**M24 Winding Thermocouples**  
(3 per motor, 6 foot standard length)

**M24A Iron Constantan (3 per motor)**  
Specify location.

TWO  
DAYS

NEMA Frame	List Price Per Thermocouple
42 - 215T	178
254 - 449T	367
G5008 - G5012	2169

**NOTE:** 449T - up contact Baldor for lead time and freight charges back to plant of manufacturing.  
**Does Not Apply to Explosion-Proof Motors**

**M25 Winding Thermistors**

**NOTE:** 449T - up contact Baldor for lead time and freight charges back to plant of manufacturing.  
**Does Not Apply to Explosion-Proof Motors**

**M25A One or Two**  
List Price: \$299

TWO  
DAYS

**M25B Three Per Motor**  
List Price: \$624

TWO  
DAYS

Gearmotors and  
Gear Products

PT Components

Motor  
Accessories

Grinders

Generators

Servo Motors  
and Controls

Mod Express

Baldor Education  
Workshops

Classifications  
and Sales Offices

EISA Compliance  
Table & Index

### Modification Number

### Motor Mod Express® Description and List Price

### Working Days Required

## M26 Tropicalization

### M26A Protection of Windings and Mechanical Parts

Protection from tropical environments.

TWO DAYS

NEMA Frame	List Price Per Motor	
	AC	DC
Through 215T	215	313
254 - 365T	308	491
404 - 449T	527	N/A

## M27 Weatherproofing

### M27A Treatment of Windings and Mechanical Parts

Protection from the elements or high moisture areas.

TWO DAYS

NEMA Frame	List Price Per Motor	
	AC	DC
Through 215T	209	308
254 - 365T	980	491
404 - 449T	1151	N/A

**NOTE:** Baldor "Dirty Duty", "CP" and "ECP" motors are weatherproofed as standard.

**Does Not Apply to Explosion-Proof Motors**

## M28 Marine Motors

### M28A IEEE 45

A combination of M4A and M27 for frames 215T and smaller plus nameplate stamped IEEE 45. NEMA frames 254T and larger require tapping of conduit box and nameplate stamped IEEE 45. For full IEEE 45 compliance, VPI must be added.

TWO DAYS

NEMA Frame	List Price Per Motor	
	AC	DC
42, 48, 56	215	308
143 - 215T	308	491
254 - 365T	357	N/A
404 - 449T	527	N/A

**Modification Number**

**Motor Mod Express® Description and List Price**

**Working Days Required**

**M29 Shaft Modifications**

Includes modifications to existing shafts only. Not applicable if new shaft is required. Price each modification per table M29 or M29D.

FIVE DAYS

NEMA Frame	List Price Per Modification	NEMA Frame	List Price Per Modification
42 - 145T	193	254T - 256T	347
182 - 184T	202	284 - 286T	347
ASM62 (5)	238	324-326T	499
213 - 215T	281	364-365T	553
ASM75 (5)	281	404-405T	624

**NOTE:** (5) Arbor Saw Motors.

**M29A Drill and Tap One Hole in End of Shaft or Mill Flat on Shaft Extension.**

Provide details on order. Price this modification per table M29.

THREE DAYS

**M29B Convert from TEFC to TEAO**

Cut off shaft extension for external fan. Price this modification per table M29.

**Does Not Apply to Explosion-Proof Motors**

THREE DAYS

**M29C Threading**

Specify right hand or left hand thread, also type and length of thread. Price this modification per table M29.

FIVE DAYS

**M29D Convert "T" Frame to "U" Frame Shaft Dimension or Smaller (TS)**

Provide details on order.

FIVE DAYS

NEMA Shaft	Conversion of T Frame to TS or U Frame	
	Work Days Required	List Price Per Motor
143 thru 145T	5 Days	193
182 thru 215T	5 Days	354
254 thru 286T	5 Days	807
324 thru 365T	5 Days	1202
404 thru 449T	5 Days	1982

Gearmotors and Gear Products

PT Components

Motor Accessories

Grinders

Generators

Servo Motors and Controls

Mod Express

Baldor Education Workshops

Classifications and Sales Offices

EISA Compliance Table & Index

**Modification  
Number****Motor Mod Express®  
Description and List Price****Working Days  
Required****M29 Shaft Modifications continued...****M29F Shorten Shafts Without Reducing the Overall  
Diameter**THREE  
DAYS

NEMA Shaft	List Price Per Motor
48 - 145T	311
182 - 215T	427
254 - 256T	591
324 - 326T	606

**M29G Special Shafts**

Contact Baldor for price and availability.

**M29H Convert to a Longer Shaft Up to a 215T Frame**

Contact Baldor for price and availability.

**M29I Machine Explosion Proof Motor Shafts from  
T to U Frame**

Contact Baldor for price and availability.

**M29J Shaft Grounding Brush Assembly**Add external shaft grounding brush to motor endplate.  
Brush contacts motor shaft diameter.TWO  
DAYS

NEMA Shaft	List Addition
48 - 145T	178
182 - 215T	267
254 - 256T	402
324 - 326T	603

**Does Not Apply to Explosion-Proof Motors****M30 Grounding Screw****M30A Add Grounding Screw On Endplate**Requirement for UL 1081, swimming pool pump motors (includes slinger.)  
List Price: \$119TWO  
DAYS



**Modification  
Number**

**Motor Mod Express®  
Description and List Price**

**Working Days  
Required**

**M31 Tach Mounting Kits**

**M31A Add Tach Mounting Kits Only**

THREE  
DAYS

Tach mounting kits are listed on page 322-324. These kits are complete and will allow mounting of a BTG1000 or XPY tach generator (tach generator not included).

Baldor Motor Type	List Price Per Motor
3300P	367
3400D/P	454
3500D/P	472
3600D/P	545
180 - 500 Frame DC	1175

**NOTE:** Price includes tach kit.

**M31B Tach Kit with BTG1000 Tach**

FOUR  
DAYS

Order tach kit per M31A and order tach separately.

**M31C Tach Kit with XPY Tach**

FOUR  
DAYS

Order tach kit per M31A and order tach separately.

**M31D Add Encoder Kit to Inverter Duty Motor**

TWO  
DAYS

Order encoders separately. Encoders are listed on page 236.

NEMA Frame	List Price Per Motor
56-215T	168
254T-404T	350
444T - G5000	545

**M31E Additional Mounted Encoder Options for IDRPM Motors**

TWO  
DAYS

List price includes encoder and mounting to motor.

Motor Enclosure	Type	Frame Size	Mfg.	Mag or Optical	Conn Type	Input Voltage VDC	List Price
All	H20	FL180 - L400	Dynapar	O	MS-ST	5-15	1802
All except TEFC	RL67	FL180 - L400	Dynapar	M	Latch	5-15	2222
All except TEFC	SL85	F280 - L400	Dynapar	M	Latch	5-15	2339

Gearmotors and Gear Products

PT Components

Motor Accessories

Grinders

Generators

Servo Motors and Controls

Mod Express

Baldor Education Workshops

Classifications and Sales Offices

EISA Compliance Table & Index

### Modification Number

### Motor Mod Express® Description and List Price

### Working Days Required

## M32 Testing

### M32A CSA C390 Method 1 Equivalent to IEEE 112 Method B Performance Testing

SEVEN DAYS

Three phase stock motors will be tested under lab conditions according to CSA C390 (equivalent to IEEE 112b). Complete test data will be supplied.

NEMA Frame	List Price Per Motor
42 - 215T	2116
254T - 449T	3171
G5000	7748

### M32B Witnessed CSA C390 Method 1 Equivalent to IEEE 112 Method B Performance Testing

SEVEN DAYS

Test schedule must be coordinated with Baldor corporate office.

NEMA Frame	List Price Per Motor
42 - 215T	7398
254T - 449T	8454
G5000	11975

## M33 Short Test

### M33A Motor Performance - Short Test

SEVEN DAYS

Three phase or single phase motors will have any or all of the following motor characteristics measured. Test data will be supplied. All data will be taken on cold motor.

No Load Current	Locked Rotor (Starting) Current
Full Load Current	Locked Rotor Torque
Breakdown Torque	Hi-Potential Test

NEMA Frame	List Price Per Motor
42 - 215T	352
254 - 449T	644

**Modification  
Number**

**Motor Mod Express®  
Description and List Price**

**Working Days  
Required**

**M33 Short Test**

**M33B Routine Test**

This is a test reported per IEEE Std. 112 - 2004 Annex B. All data will be taken on a cold motor. Test includes:

- No Load Current                      High-Potential
- Full Load Current                      Winding resistance
- Locked Rotor Current

Tests may also be performed as a witnessed test. Test schedule must be coordinated with the Baldor corporate office.

NEMA Frame	List Price Per Motor
42 - 215T	238
254 - 449T	437

**M33C Complete Performance Test**

A Complete test uses a dynamometer to verify nameplate description and electrical design characteristics. The motor is allowed to achieve its full load temperature rise before making performance measurements. Test results are supplied per IEEE Std 112-2004 Annex B. Test includes:

- No Load Current                      Temperature Rise
- Full Load Current                      Full Load Slip
- Locked Rotor Current                      Measure breakdown and starting torques
- High-Potential                      Measure efficiency at 100%, 75%, 50% & 25% of full load
- Winding Resistance
- Full Load Heat Run                      Measure power factor at 100%, 75%, 50% & 25% of full load

Tests may also be performed as a witnessed test. Test schedule must be coordinated with the Baldor corporate office.

NEMA Frame	List Price Per Motor
42 - 215T	2116
254 - 320T	3171
360T - 449T	7748

Gearmotors and Gear Products

PT Components

Motor Accessories

Grinders

Generators

Servo Motors and Controls

Mod Express

Baldor Education Workshops

Classifications and Sales Offices

EISA Compliance Table & Index

**Modification  
Number**

**Motor Mod Express®  
Description and List Price**

**Working Days  
Required**

**M33 Short Test continued...**

**M33D Calibration Test**

This test consists of 0 to 125% rated load test measurement of speed, torque, current, power factor and efficiency at rated voltage. The data is provided as a curve plotted on Baldor•Reliance standard format. Tests may also be performed as a witnessed test. Test schedule must be coordinated with the Baldor corporate office.

NEMA Frame	Calibration Test
42 - 215T	1904
254T - 320T	2537
360T - 449T	6977

**M33E Sound Measurement Test**

Two tests are available to measure the sound produced by the motor at idle and operated from a line power supply.

The basic test is an overall sound measurement (one band). The Noise test that verifies sound levels per procedures defined in IEEE-85 under a No Load Condition showing an octave band analysis is also available. Double these prices for witnessed tests.

**Note:** Sound tests must be performed in Fort Smith or the Motor R&D Lab in Greenville. Allow for extra shipping time and freight charges from plant.

NEMA Frame	List Price Per Motor
42 - 215T	868
254 - 445T	1298
447 - 449T	3170

Gearmotors and Gear Products

PT Components

Motor Accessories

Grinders

Gearmotors

Servo Motors and Controls

Mod Express

Baldor Education Workshop

Classifications and Sales Offices

EISA Compliance Table & Index

**M34 Worm Gear Modifications**

**M34A Install Bases on Worm Gear Speed Reducers.**

List price include bases.

TWO  
DAYS

Size	900 Series			Universal Series	
	Horiz. Base List Price	Vertical Low Base List Price	Vertical High Base List Price	Size	Vertical Base List Price (Converts STF to SVF)
913	176	213	215	133	178
915	186	215	217	175	178
918	186	215	217	200	195
921	189	219	222	225	195
924	202	236	241	258	214
926	215	272	275	300	214
932	241	297	303	350	226
938	263	334	344	400	256

**M34B Convert from Single to Double End Output Shaft on Worm Gear Speed Reducers.**

List price includes shaft.

TWO  
DAYS

Size	900 Series		Universal Series	
	Size	List Price	Size	List Price
913		194	133	191
915		197	175	197
918		197	200	197
921		197	225	207
924		202	258	215
926		215	300	219
932		219	350	238
938		238	400	261

**M34C Convert Output Shaft from Left Hand to Right Hand or vice versa on 900 or Universal Series Reducers**

\$148 List (Price does not include reducer)

TWO  
DAYS

**M34D Install Motor on 900 F-Series or Universal STF Series Reducers**

\$148 List (Price does not include motor or reducer)

TWO  
DAYS

Gearmotors and Gear Products

PT Components

Motor Accessories

Grinders

Generators

Servo Motors and Controls

Mod Express

Baldor Education Workshops

Classifications and Sales Offices

EISA Compliance Table & Index

### Modification Number

### Motor Mod Express® Description and List Price

### Working Days Required

## M35 Terminal Blocks

### M35A Install IEC Terminal Blocks in Conduit Box and Connect Leads

TWO DAYS

IEC Frame, stocked with terminal blocks.  
Advise how motors leads are to be connected.

**Does Not Apply to Explosion-Proof Motors**

NEMA Frame	List Price
34 FRAME - 56-143T	201
35 FRAME - 56-145T	216
182-184	239
213-215	262
254-256	301
284-286	311
324-326	909
364-365	909
404-405	909
444-449	909

## M36 Starters

### Add Magnetic or Manual Starter to Grinder or Buffer

Mounted and wired on Baldor industrial grinders and buffers. Starters are in NEMA 1 enclosure and have the push button in cover. Available only as factory installed options. Lead time is dependant on delivery of the starter.

### M36A Starter – Single Phase

TWO DAYS

Full voltage control.

Grinder Wheel Size	Buffer Hp	Manual	Magnetic	
		115/230 Volts List Price	115 Volts List Price	230 Volts List Price
6"	1/3	443	727	813
7"	N/A	443	727	813
8"	3/4	443	834	813
10"	1	443	834	813
N/A	1-1/2	443	834	714
12"	2	Standard Equipment	708*	714*

**NOTE:** Specify voltage when ordering.

\*Price includes allowance for omission of standard starter.

### M36B Starter – Three Phase

TWO DAYS

Full voltage control.

Grinder Wheel Size	Buffer Hp	Manual	Magnetic	
		208-230/460 Volts List Price	208-230 Volts List Price	460 Volts List Price
7"	N/A	512	813	749
8"	N/A	512	813	749
10"	3/4	512	813	749
12"	1	Standard Equipment	573*	526*
12"	2	Standard Equipment	573*	526*

**NOTE:** Specify voltage when ordering.

\*Price includes allowance for omission of standard starter.



**Modification Number**

**Motor Mod Express®  
Description and List Price**

**Working Days Required**

**M36 Starters continued...**

**M36C Magnetic Starter – Three Phase**

With Low Voltage Control.

TWO DAYS

Grinder Wheel Size	Buffer Hp	Magnetic With 110 Volt Control Circuit Transformer	
		208-230 Volts	460 Volts
		List Price	List Price
7"	N/A	1826	2020
8"	N/A	1826	2020
10"	3/4	1826	2020
12"	1	1791*	1828*
12"	2	1791*	1828*
14"	5	1791*	1828*
14"	7-1/2	1791*	1828*

**NOTE:** Specify voltage when ordering.

\*Price includes allowance for omission of standard starter.

**M36D Overload Protection for Dust Control Unit**

TWO DAYS

NEMA Frame	List Price
All	545

**NOTE:** Must be used with magnetic control. Contact Baldor for details.

**M37 Voltage**

**M37A Change a Grinder Dust Control Unit from 230/460 Volts to 575 Volts**

TWO DAYS

NEMA Frame	List Price
All	162

**M38 Fan Change with Inverter Nameplate Markings**

Refer to Inverter/Vector Motors & Controls section Page 215 for details on fixed speed motor capabilities when used in variable speed applications. Where available, this modification changes the fan used on TEFC motors and changes the motor nameplate to reflect the new speed range capabilities.

TWO DAYS

NEMA Frame	List Price Per Motor
180-280	258
320-449	318

Gearmotors and Gear Products

PT Components

Motor Accessories

Grinders

Generators

Servo Motors and Controls

Mod Express

Baldor Education Workshops

Classifications and Sales Offices

EISA Compliance Table & Index

### Modification Number

### Motor Mod Express® Description and List Price

### Working Days Required

## M39 Shaft Grounding

### M39A Shaft Grounding Systems

Add Shaft Grounding System unit to opposite shaft end of motor on TEFC, TENV, TEBC and ODP motors. Available for all frame sizes. Shaft grounding brush provides a current path from the rotor to the frame to lessen the chance of bearing fluting. Insolated bearings isolate the shaft, but rotor currents can be passed through a conductive coupling to the driven load and damage bearings there.



THREE DAYS

NEMA Frame	Baldor Type	List Addition
56 - 449T	35/305 - 44G	1085
G5000 - G5800	318 - 322	1616

**Does Not Apply to Explosion-Proof or Division 2 Motors**

### M39B Aegis SGR™ Inpro/Seal CDR™ and Inpro/Seal MGS™ with Labrinth Seal

Shaft grounding rings are specified by many HVAC, pump and conveyor manufacturers to mitigate ASD circulating currents and prolong bearing life. These grounding rings are available as an option on Baldor•Reliance custom motors or they can be installed on a stock motor in Baldor's Mod Express and shipped within a few days. Shaft grounding rings are not suited for Division 1 or 2 areas. On applications where washdown or debris may be present, internal mounting solutions may be required.

These are sparking devices not suited for explosion-proof Division 1 or 2 applications, even when mounted internally.

The Aegis SGR™ and Inpro/Seal CDR™ rings usually mount to the drive end of the motor. The Inpro/Seal MGS™ includes their labyrinth seal and will be mounted on the ODP of the motor, usually under the fan and cover.

NEMA Frame	Shaft Diameter	Aegis SGR™ List Price	Inpro/Seal CDR™ List Price	Inpro/Seal MGS™ List Price
56	0.625	179	199	1044
140T, 180	0.875	179	199	1044
180T, 210	1.125	189	239	1069
210T, 250U	1.375	207	282	1095
250T, 280U	1.625	242	337	1358
280T, 320U, 320TS, 360TS	1.1875	293	403	1486
320T, 360U, 400TS	2.125	310	454	1558
360T, 400U, 440TS	2.375	497*	682	1836
400T, 440U	2.875	633*	575	1962
440T	3.375	675*	650	2390

### Shaft Grounding Prices

\* Motors over 100 Hp / 75 kW require an insulated bearing on the opposite drive end. Add for one insulated bearing on the ODE with the adder in the CA508.

Both Aegis and Inpro/Seal shaft grounding rings are covered by that manufacturer's warranty available from their website.

**Registration Fee:**

The fee for each Baldor•Reliance workshop (Motors, Drives, and Generators) is \$1395.00 with the exception of the Baldor Drives Service Center workshop which is \$1695.00 and the participants receive a test meter. The fee includes airfare, hotel accommodations, meals, transportation, and workshop materials. Baldor has negotiated special airline arrangements through major airline carriers. We will purchase your airline ticket, with the exception of 5 day workshops. In most cases you will travel on the Sunday before your workshop begins and depart on Wednesday afternoon.

Transportation to and from Baldor•Dodge (Bearings, Gearing and Power Transmission Components) workshops will be the responsibility of the participant. Following arrival for the workshop, Baldor will provide hotel accommodations, meals, transportation, and workshop materials. To help us plan your hotel accommodations and local transportation, please answer the questions in the registration process related to hotel room preference.

Prior to registering for any Baldor•Dodge Reliance workshop, verify class dates by contacting your Baldor•Reliance District Office, Baldor•Dodge Field Sales Engineer, or by checking Baldor's website [www.baldor.com/support/custedu.asp](http://www.baldor.com/support/custedu.asp). Registration forms for all workshops are found on the website. One form per participant should be completed and submitted no later than 45 days prior to the start date of the desired workshop. Registrations may be submitted to the Baldor Travel department by fax at 479-648-5992. However, the preferred and most efficient method is through the website [www.baldor.com/support/custedu.asp](http://www.baldor.com/support/custedu.asp).

**Confirmation:**

Workshop confirmation will be sent to you upon receipt of your registration. Hotel confirmation will be sent prior to the workshop, and if applicable, electronic airline tickets will be sent also. Any changes must go through the Baldor Travel department at 479-648-5617. No changes will be permitted to airline tickets purchased by Baldor. Persons with special dietary or physical requirements are asked to note so on the registration form. On the registration form under "Additional Comments or Information", please note your hotel room preference as to smoking or non-smoking.

**Workshop Locations:**

Workshop confirmations will be sent to you upon receipt of your registration.  
Hotel confirmation and airline tickets will be sent prior to workshops.

## All Baldor Education Workshop Class Descriptions

### Why We Offer Training Classes!

#### *To Be the Best...as Determined by Our Customers*

. . . is the cornerstone of Baldor's mission statement. And because you are part of Baldor, we want to help you be the best also. Baldor is proud to offer a series of intensive 3-5 day training workshops. Custom designed for you, these thought provoking training sessions are more than passive seminars. Workbooks, question and answer sessions, labs, plant tours, and other structured activities assure participant interaction and involvement. "Hands-on" training supplements these true learning experiences that promise to be beneficial in the field. Just one more example of Baldor working to meet your needs.

#### Understanding Motor Fundamentals

##### Course Highlights:

- "Real life" situations on how to match the motor to your customer's application.
- Learn about different ratings, speeds, and enclosures of motors.
- Recognize different families of motors by sight.
- Identify most basic failure modes including warranty conditions.
- Learn about efficiency and what it means to your customers.
- Discuss NEMA standards, HP, RPM, voltage, service factors and frame sizes and what they mean.
- A brief overview of AC motor control basics.
- "Hands-on" lab exercises

#### Large AC Motors (Customer/Distributor/OEM)

##### Course Highlights:

- Overall review of Baldor-Reliance Large Alternating Current motor business.
- Review of key construction elements and designs of LAC motors.
- LAC motor applications with starting requirements and performance.
- Energy Efficiency and Power Factor for LAC motors and their importance.
- LAC typical accessories review and applications.
- LAC motor operation on adjustable speed drives (VFD's).
- Detailed plant tour showing details of plant operations and LAC motor production.
- If time allows additional topics:
  - Optimum pole technology and benefits of the technology
  - Vibration review
  - API Standards 541 and 547 basic review

##### Recommended student skills or experience:

*A fundamental understanding of how an AC Induction Motor operates and some experience LAC motors is preferred. MUST HAVE APPROVAL FROM THE BALDOR DISTRICT MANAGER*

#### Baldor Drives Service Center (BDSC)

##### Course Highlights:

- Select proper equipment to test a PWM drive
- Step-by-step startup technique to start a drive safely
- AC and DC control troubleshooting
- Using the diagnostic screens to isolate a problem
- Understand proper wiring
- Learn to read and understand the control's fault log
- Use parameter adjustments to solve application problems
- Review schematics and interconnect drawings
- Apply techniques learned in a "hands-on" lab

##### Recommended student skills or experience:

*This class is for those who want to become an authorized Baldor Drives Service Center or update the skills of existing service center personnel.*

- Setup and operation of Baldor drives
- Industrial motor controls repair experience
- Basic electrical and electronic control knowledge
- Experience reading electrical schematics
- Troubleshooting experience using DMM and scope

#### Fundamentals of Drives

##### Course Highlights:

- Overview and comparison of DC and AC Drive Technologies such as DC SCR Controls, and Inverter and Vector Controls with AC Induction Motors.
- DC and AC motor factors to consider when used with adjustable speed drives.
- "Hands-On" lab sessions with set-up and operation of DC and AC adjustable speed drives.
- Understanding speed, torque, and horsepower formulas and calculations.
- Open Loop vs. Closed Loop feedback techniques and terminology.
- Reading and interpreting Baldor Matched Performance curves and literature.
- Analysis of Constant Torque, Variable Torque, and Constant Horsepower applications and selection of matching drive technology.

##### Recommended student skills or experience:

*Basic Understanding of the Construction and Theory of Operation of:*

- DC Brush-Type Motors
- AC Three Phase Induction Motors

#### Advanced Drives - Tools And Options

##### Course Highlights:

- Overview and comparison of AC/DC/Servo Drive Technologies such as: Inverter, Vector, DC SCR, and Brushless Servo Drives.
- Analysis of the "VS1" family expansion boards for interfacing to external PLCs and other factory automation transducers or devices.
- Create custom logic functions using the internal PLC in the H2 controls.
- Analysis of Modbus RTU, Active-X and MINT Workbench tools for Drives Communication.
- Hands-On" lab sessions such as: Computer control of drive and upload/download of drive parameters, Encoder following or leader/follower applications, Closed loop PID control of water pressure using Inverter to vary the pump speed, Preset positioning (closed loop positioning).

- Set-Up, Auto-Tuning and operation of Vector/Servo control for speed/torque/position.
- Understanding the proper use of line reactors, load reactors, isolation transformers and grounding/shielding techniques for closed loop or process control.

**Recommended student skills or experience:**

- Setup and operation of Baldor drives
- Industrial Motor Controls Experience
- Personal Computer Operation & File Load/Save Skills

**Mint®MT Programming for NextMoveE100 and MicroFlexE100 (using Mint Lite)****Highlights Include:**

This highly technical course focuses specifically on Baldor's NextMoveE100 & MicroFlexE100 motion products using the latest version of Baldor's Mint Programming language. The course reviews Baldor's drive products with emphasis on MicroFlexE100 and NextMove motion controllers. It covers hardware features, configuration and tuning of Mint software. This course covers the programming basics and advanced multi-axis motion control commands of Mint. Includes linear/circular interpolation, velocity/position following, electronic gearing, CAMS, flying shear, and networking applications. The how-to's of interfacing VisualBasic programming, operator keypad/display panels, and remote I/O modules are demonstrated. Learn how to set-up, tune, and program Baldor NextMoveE100 and MicroFlexE100 motion control in the hands-on labs. The course also covers how to use the powerful new features on Mint, which includes MintMT and Mint WorkbenchV5.5

**Recommended Student Skills or Experience:**

- Setup and operation of Baldor Servo Drives
- "Working with Servos" course or equivalent experience
- Windows® based PC experience. Operation and file management
- BASIC programming skills, Visual Basic® preferred.

**Selling and Applying Baldor V\*S Drives****Recommended student skills or experience:**

- Industrial Motor Experience
- Basic Electrical & Horsepower Calculation Skills

**Course Highlights:**

- Overview and comparison of AC Drive Technologies such as Inverter, Vector and Encoderless Vector controls with AC Induction Motors.
- AC motor basics and factors to consider when used with Inverter and Vector controls.
- "Hands-On" lab sessions with set-up, operation, parameter selection, operating modes, and speed/torque command inputs for Inverter and Vector drives.
- Set-Up, Auto-Tuning, and operation of V\*S family vector controls for speed/torque/position of the AC motor.
- Understanding the proper use of line reactors, load reactors, isolation transformers, and grounding/shielding techniques.
- Vector control and motor encoder/resolver feedback techniques and terminology.
- Reading and interpreting Baldor Matched Performance curves and sizing or selection of motors, controls, and dynamic braking resistors.
- Analysis of Constant Torque, Variable Torque, and Constant Horsepower applications and selection of motors and controls for: conveyors, fans, pumps, machine tool spindles, winder/unwinder, and other industrial applications.

**Generator Application and Sales****Course Highlights:**

- Designed for students who understand generator basics
- Identifying customers' application needs
- Learn features of Baldor's GLC and IDLC generators
- Review generator and transfer switch sizing and application
- Discuss characteristics and features of different control and fuel systems

**Fundamentals of Servicing Generators****Course Highlights:**

- Entry-level course in generator troubleshooting and repair
- Review basic electricity and induction, engine and gaseous fuel systems
- Detail discussion on alternators
- Learn systematic troubleshooting
- Practical lab exercise on a TS80R
- Review transfer switches and generator application safety

**Sizing, and Applying Servo/Motion Products**

A training course specifically designed to help you learn about servos. Focuses on servo applications, sizing, matching to controls, and spec'ing, ie. covering all the information you need to look at, when using servos.

- Hands-on labs provide familiarization and tuning several Baldor servo controls including...
  - New Flex+Drive (15 pre-set positions),
  - New MintDrive (programmable controller),
  - You will also have an introduction to programming positioners.
- Covers features and capabilities of Baldor's brushless AC and DC servos. You will learn...
  - Servo advantages (when to select servo/vector)
  - Applications
  - What data is necessary (information to obtain)
  - Sizing (how to select the proper motor)
  - How to adjust (tuning parameters)
  - Choose accessories (matching accessories to motor)
  - Working with owners manuals
  - You will learn a servo is put together

**Recommended student skills or experience:**

- Basic Understanding of Elementary Physics
- Exposure to Basic Electricity
- Basic Math Skills

**Fundamentals of Mint® Programming****Highlights Include:**

This workshop will cover basic concepts of programming and the techniques used to solve motion problems. Structured programming and program flow repetition, subroutines, and interrupt events. Concepts of data structure and math operations will be covered, including constants, variables, arrays, math/logical operators, and functions.

The workshop will demonstrate how a motion problem can be divided into a set of program modules. An example application will illustrate the use of operator menus and screens, use of direct and keyboard inputs/outputs, how to establish user variable input as data arrays, how to establish a position reference, and scaling of distance/speed/acceleration for a motion profile.



Baldor's easy to use Mint language will be used as the basis in learning. The Mint "keywords" to make motion control easy, and "keywords" to simplify program flow will be introduced.

In the hands-on labs, you will configure and tune a drive, and write a program for an actual application using absolute/incremental moves and homing. All the concepts discussed in the workshop will be reinforced by programs written, coded and debugged in the lab exercises.

**Recommended student skills or experience:**

- Experience with computer systems (MS-DOS or Windows);
- Basic mathematical concepts (geometric coordinates and basic algebra)

**Fundamentals of Generators****Course Highlights:**

- For students new to generators
- Electrical and power generation theory is discussed
- Gain understanding of engines and gaseous fuel systems
- Become familiar with Baldor's line of generators
- Learn how to size generators for the customer's application
- Transfer switch options and how they work
- Identifying warranty and how to handle submittals

**Advanced Generator Service**

This is an advanced course specific to troubleshooting and diagnostics of Baldor generator controls. It includes programming the control and assessing the diagnostics available through the generator control. We will review schematics and interconnect diagrams specific to our generator systems. Parallel generator application troubleshooting will also be discussed.

**Cooling Tower Certification****Course Highlights:**

- Typical Applications; HVAC Commercial/Institutional
- Cooling Tower Design, Erect and Packaged Units
- Cooling Tower Control and Direct Drive Technology
- Installation and Maintenance

(Contact your local District Office for additional information and scheduling)

**Baldor•Dodge School of Transmisioneering (DSOT)****Course Highlights:**

- Exposure to all mechanical product lines offered by Baldor Dodge (Bearings, Gearing, and PT Components)
- Presentation of the differentiators of the Baldor Dodge products
- In-depth learning opportunities in the application and selection of products
- Competitive features and benefits of the Baldor Dodge superior products
- Industry knowledge, applications, and solutions for Baldor Dodge targeted industries
- Hands-on lab activities for understanding of installation and removal/replacement of bearings, gearing and PT components
- Navigation of product catalogs and introduction to the latest sales literature and specification data

- Discussion and examples of sales tools and business mechanics available through Baldor Dodge systems
- Testing for understanding

**Recommended student skills or experience:**

- A minimum of 3 years experience with power transmission products is required
- A minimum of 2 years experience with Baldor Dodge products is preferred
- A minimum of 1 year experience with power transmission products and the completion of the Baldor Dodge 'Fundamentals of Industrial Power Transmission' self-study course
- Basic theory behind power transmission
- Intermediate computer skills

**Regional Baldor•Dodge School of Transmisioneering (RDSOT)****Course Highlights:**

- Exposure to all mechanical product lines offered by Baldor Dodge (Bearings, Gearing, and PT Components)
- Presentation of the differentiators of the Baldor Dodge products
- In-depth learning opportunities in the application and selection of products
- Competitive features and benefits of the Baldor Dodge superior products
- Industry knowledge, applications, and solutions for Baldor Dodge targeted industries
- Hands-on lab activities for understanding of installation and removal/replacement of bearings, gearing and PT components
- Navigation of product catalogs and introduction to the latest sales literature and specification data
- Discussion and examples of sales tools and business mechanics available through Baldor Dodge systems
- Testing for understanding
- This school is designed as a 'Closed registration' class for Baldor Distributor partners and other approved participants
- The school is 2.5 days
- A mini-school covering mechanical products, tools, product sales support, and Baldor Dodge software

**Recommended student skills or experience:**

- A minimum of 3 years experience with power transmission products is required
- A minimum of 2 years experience with Baldor Dodge products is preferred
- A minimum of 1 year experience with Baldor Dodge Products and completion of Baldor Dodge 'Fundamentals of Industrial Power Transmission' self-study course
- Basics theory behind power transmission
- Intermediate computer skills



### UL AND CSA EXPLOSION-PROOF CLASSIFICATIONS

#### CAUTION!

Motors misapplied in hazardous environments can cause a fire or explosion resulting in destruction of property, serious injury or death. Only the end user or a qualified underwriter is to identify and select the proper class, group, division, and temperature code motor to meet the requirements of each installation. Baldor personnel can advise what listings and approvals Baldor motors carry, but cannot evaluate nor recommend what motors may be suitable for use in hazardous environments.

- Hazardous Locations** — For details on area classification and equipment suitability please consult NFPA70™ National Electric Code ® Articles 500-516.
  - Class I Group C — locations are those which contain flammable gas, vapor, combustible liquid produced vapor mixed with air that may burn or explode, either having a maximum experimental safe gap (MESG) value greater than 0.45 mm and less than or equal to 0.75mm or a minimum igniting current ratio (MIC ratio) greater than 0.40 and less than or equal to 0.80. Ethylene is a typical Group C gas. For other substances in this group, please consult NFPA 497.
  - Class I Group D — locations are those which contain flammable gas, vapor, combustible liquid produced vapor mixed with air that may burn or explode, either having a (MESG) value greater than 0.75 mm or a (MIC ratio) greater than 0.80. Propane is a typical Group D gas. For other substances in this group, please consult NFPA 497.
  - Class II Group E — locations with atmospheres containing combustible metal dusts such as aluminum, magnesium and their alloys or other combustible dusts with particle sizes and conductivity that present similar hazards. For other substances and guidance relative to this group, please consult NFPA 499.
  - Class II Group F — locations with atmospheres containing combustible carbonaceous dusts with more than 8% entrapped volatiles. Coal, carbon black, charcoal and coke dust are examples from this group. For other substances and guidance relative to this group, please consult NFPA 499.
  - Class II Group G — locations with atmospheres containing combustible dusts not included in Group E or F, including flour, grain, wood, plastic and chemicals. For other substances and guidance relative to this group, please consult NFPA 499.
- Class II Temperature Codes** are typically the lower of either the ignition temperature of the combustible dust that is present or 165°C. These low surface temperature requirements (higher temperature codes) required in Class II F&G require that over temperature protection be used.
  - Explosion-Proof Motors rated 1 1/2 HP or less have internally mounted automatic thermal overloads when indicated by suffix "A". Caution must be observed when applying these to machinery applications to prevent accidental injury should the thermal device automatically reset and restart the motor.
  - Explosion-Proof Motors rated 1 HP and larger without automatic thermal overloads have thermostats in the windings. These thermostats are pilot circuit devices to be connected to the magnetic starter circuit.
- Surface temperatures of Baldor Explosion-Proof Motors** will not exceed the following UL and CSA maximums under fault conditions. The "T" Code identifies the maximum absolute motor surface temperature that will be developed under all conditions of operation.
  - Division 1 considers external surface temperature and includes overloads and locked rotor conditions.
  - Division 2 considers internal and external surface temperatures during normal operation.

T Code	Maximum Motor Surface Temperature	
	°C	°F
T1	450	842
T2	300	572
T2A	280	536
T2B	260	500
T2C	230	446
T2D	215	419
T3	200	392

T Code	Maximum Motor Surface Temperature	
	°C	°F
T3A	180	356
T3B	165	329
T3C	160	320
T4	135	275
T4A	120	248
T5	100	212
T6	85	185

- Stock Motors are not suitable for applications in temperatures below -25°C (-13°F). Custom motor designs available for applications in temperatures down to -60C. Contact your Baldor Sales office for further information.
- All Explosion-Proof motors are supplied with Explosion-Proof UL and CSA approved conduit boxes as standard.
- Baldor-Reliance AC Explosion Proof Motors, on pages 101-115, are not approved for use on adjustable speed drives only. Inverter Duty Explosion Proof motors (page 232) can be used. Custom Explosion proof ratings available, contact your Baldor-Reliance Sales Representative.

Gearmotors and  
Gear Products

PT Components

Motor  
Accessories

Grinders

Gearmotors

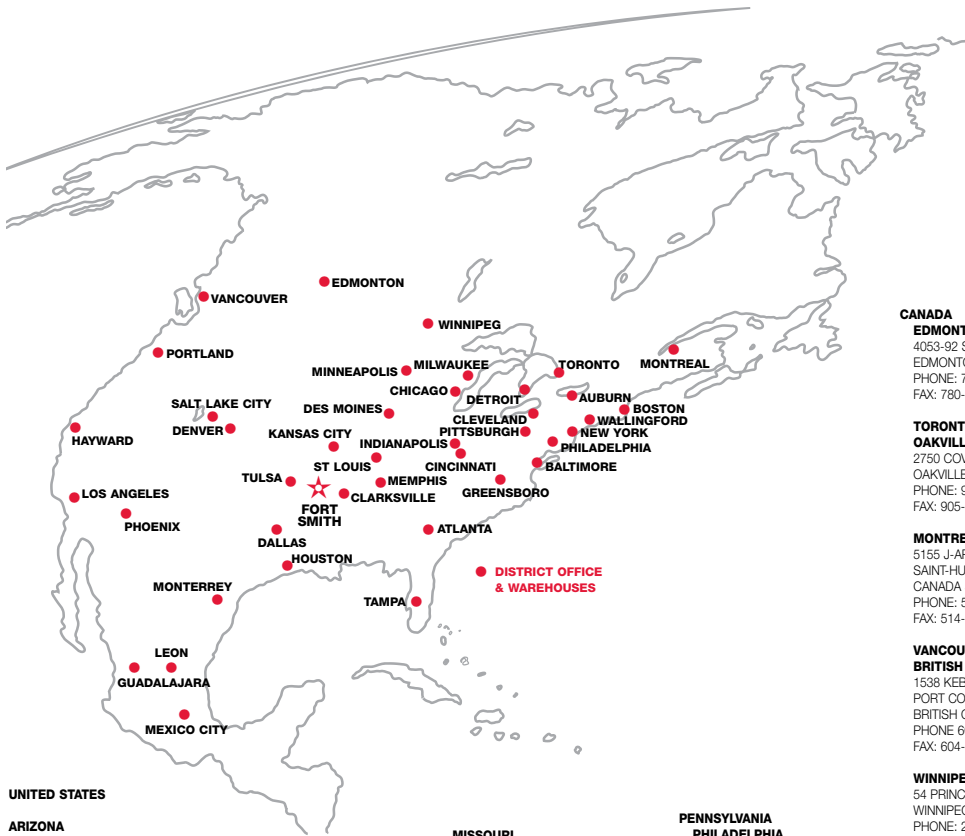
Servo Motors  
and Controls

Mod Express

Baldor Education  
Workshop

Classifications  
and Sales Offices

EISA Compliance  
Table & Index



**UNITED STATES**

**ARIZONA**

**PHOENIX**  
4211 S 43RD PLACE  
PHOENIX, AZ 85040  
PHONE: 602-470-0407  
FAX: 602-470-0464

**ARKANSAS**

**CLARKSVILLE**  
1001 COLLEGE AVENUE  
CLARKSVILLE, AR 72830  
PHONE: 479-754-9108  
FAX: 479-754-9205

**CALIFORNIA**

**LOS ANGELES**  
6480 FLOTILLA STREET  
COMMERCE, CA 90040  
PHONE: 323-724-6771  
FAX: 323-721-5859

**HAYWARD**

21056 FORBES AVENUE  
HAYWARD, CA 94545  
PHONE: 510-785-9900  
FAX: 510-785-9910

**COLORADO**

**DENVER**  
3855 FOREST STREET  
DENVER, CO 80207  
PHONE: 303-623-0127  
FAX: 303-595-3772

**CONNECTICUT**

**WALLINGFORD**  
65 SOUTH TURNPIKE ROAD  
WALLINGFORD, CT 06492  
PHONE: 203-269-1354  
FAX: 203-269-5485

**FLORIDA**

**TAMPA/PUERTO RICO/  
VIRGIN ISLANDS**  
3906 EAST 11TH AVENUE  
TAMPA, FL 33605  
PHONE: 813-248-5078  
FAX: 813-247-2984

**GEORGIA**

**ATLANTA**  
62 TECHNOLOGY DRIVE  
ALPHARETTA, GA 30005  
PHONE: 770-772-7000  
FAX: 770-772-7200

**ILLINOIS**

**CHICAGO**  
340 REMINGTON BLVD.  
BOLINGBROOK, IL 60440  
PHONE: 630-296-1400  
FAX: 630-226-9420

**INDIANA**

**INDIANAPOLIS**  
5525 W. MINNESOTA STREET  
INDIANAPOLIS, IN 46241  
PHONE: 317-246-5100  
FAX: 317-246-5110

**IOWA**

**DES MOINES**  
1800 DIXON STREET, SUITE C  
DES MOINES, IA 50316  
PHONE: 515-263-6929  
FAX: 515-263-6515

**MARYLAND**

**BALTIMORE**  
6660 SANTA BARBARA RD.  
SUITES 22-24  
ELK RIDGE, MD 21075  
PHONE: 410-579-2135  
FAX: 410-579-2677

**MASSACHUSETTS**

**BOSTON**  
6 PULLMAN STREET  
WORCESTER, MA 01606  
PHONE: 508-854-0708  
FAX: 508-854-0291

**MICHIGAN**

**DETROIT**  
5993 PROGRESS DRIVE  
STERLING HEIGHTS, MI 48312  
PHONE: 586-978-9800  
FAX: 586-978-9969

**MINNESOTA**

**MINNEAPOLIS**  
21080 134TH AVENUE NORTH  
ROGERS, MN 55374  
PHONE: 763-428-3633  
FAX: 763-428-4551

**MISSOURI**

**ST LOUIS**  
422 INDUSTRIAL DRIVE  
MARYLAND HEIGHTS, MO 63043  
PHONE: 314-298-1800  
FAX: 314-298-7660

**KANSAS CITY**

1501 BEDFORD AVENUE  
NORTH KANSAS CITY, MO 64116  
PHONE: 816-587-0272  
FAX: 816-587-3735

**NEW YORK**

**AUBURN**  
ONE ELLIS DRIVE  
AUBURN, NY 13021  
PHONE: 315-255-3403  
FAX: 315-253-9923

**NORTH CAROLINA**

**GREENSBORO**  
1220 ROTHERWOOD ROAD  
GREENSBORO, NC 27406  
PHONE: 336-272-6104  
FAX: 336-273-6628

**OHIO**

**CINCINNATI**  
2929 CRESCENTVILLE ROAD  
WEST CHESTER, OH 45069  
PHONE: 513-771-2600  
FAX: 513-772-2219

**CLEVELAND**

8929 FREEWAY DRIVE  
MACEDONIA, OH 44056  
PHONE: 330-468-4777  
FAX: 330-468-4778

**OKLAHOMA**

**TULSA**  
7170 S. BRADEN, SUITE 140  
TULSA, OK 74136  
PHONE: 918-366-9320  
FAX: 918-366-9338

**OREGON**

**PORTLAND**  
20393 SW AVERY COURT  
TUALATIN, OR 97062  
PHONE: 503-691-9010  
FAX: 503-691-9012

**PENNSYLVANIA**

**PHILADELPHIA**  
1035 THOMAS BUSCH  
MEMORIAL HIGHWAY  
PENNSAUKEN, NJ 08110  
PHONE: 856-661-1442  
FAX: 856-663-6363

**PITTSBURGH**

159 PROMINENCE DRIVE  
NEW KENSINGTON, PA 15068  
PHONE: 724-889-0092  
FAX: 724-889-0094

**TENNESSEE**

**MEMPHIS**  
4000 WINCHESTER ROAD  
MEMPHIS, TN 38118  
PHONE: 901-365-2020  
FAX: 901-365-3914

**TEXAS**

**DALLAS**  
2320 114TH STREET SUITE 100  
GRAND PRAIRIE, TX 75050  
PHONE: 214-634-7271  
FAX: 214-634-8874

**HOUSTON**

10355 W. LITTLE YORK ROAD  
SUITE 300  
SHANGHAI 201613, CHINA  
PHONE: +86 21 5760 5335  
FAX: +86 21 5760 5336

**UTAH**

**SALT LAKE CITY**  
2230 SOUTH MAIN STREET  
SALT LAKE CITY, UT 84115  
PHONE: 801-832-0127  
FAX: 801-832-8911

**WISCONSIN**

**MILWAUKEE**  
1960 SOUTH CALHOUN ROAD  
NEW BERLIN, WI 53151  
PHONE: 262-784-5940  
FAX: 262-784-1215

**INTERNATIONAL SALES**

**FORT SMITH, AR**  
P.O. BOX 2400  
FORT SMITH, AR 72902  
PHONE: 479-646-4711  
FAX: 479-648-5895

**CANADA**

**EDMONTON, ALBERTA**  
4053-92 STREET  
EDMONTON, ALBERTA T6E 6R8  
PHONE: 780-434-4900  
FAX: 780-438-2600

**TORONTO**

**OAKVILLE, ONTARIO**  
2750 COVENTRY ROAD  
OAKVILLE, ONTARIO L6H 6R1  
PHONE: 905-829-3301  
FAX: 905-829-3302

**MONTREAL, QUEBEC**

5155 J-ARMAND BOMBARDIER  
SAINT-HUBERT, QUEBEC  
CANADA J3Z 1G4  
PHONE: 514-933-2711  
FAX: 514-933-8639

**VANCOUVER,**

**BRITISH COLUMBIA**  
1536 KEEBT WAY  
PORT COQUITLAM,  
BRITISH COLUMBIA V3C 5M5  
PHONE: 604-421-2822  
FAX: 604-421-3113

**WINNIPEG, MANITOBA**

54 PRINCESS STREET  
WINNIPEG, MANITOBA R3B 1K2  
PHONE: 204-942-5205  
FAX: 204-956-4251

**AUSTRALIA**

UNIT 3, 6 STANTON ROAD  
SEVEN HILLS, NSW 2147, AUSTRALIA  
PHONE: (61) (2) 9674 5455  
FAX: (61) (2) 9674 2495

UNIT 8, 5 KELLETTS ROAD  
ROWVILLE, VICTORIA, 3178 AUSTRALIA  
PHONE: (61) (3) 9753 4355  
FAX: (61) (3) 9753 4366

**EL SALVADOR**

RESIDENCIAL PINARES DE SUIZA  
POL. 15 #44,  
NVA. SAN SALVADOR, EL SALVADOR  
PHONE: +503 2288-1519  
FAX: +503 2288-1518

**CHILE**

LUIS THAYER OJEDA 166,  
OF 402 - PROVIDENCIA  
SANTIAGO, CHILE  
PHONE: +56 2 816 9900

**CHINA**

160 SONG SHENG ROAD  
SONGJIANG INDUSTRY ZONE  
SHANGHAI 201613, CHINA  
PHONE: +86 21 5760 5335  
FAX: +86 21 5760 5336

**GERMANY**

HERMANN-HEINRICH - GOSSEN 3  
50858 KÖLN, GERMANY  
PHONE: 49-2234379410  
FAX: 49-22343794164

DIESELSTRASSE 22  
D-85551 KIRCHHEIM  
MÜNCHEN, GERMANY  
PHONE: +49 89 90 5080  
FAX: +49 89 90 50 8492

**INDIA**

14, COMMERCE AVENUE  
MAHAGANESH COLONY  
PAUD ROAD  
PUNE - 411038  
MAHARASHTRA, INDIA  
PHONE: +91 20 25 45 27 17 / 18  
FAX: +91 20 25 45 27 19

**INDONESIA**

TALavera OFFICE PARK,  
28TH FLOOR, SUITE M18  
JI. T.B. SIMATUPANG, KAV. 22-26  
JAKARTA 12430, INDONESIA  
PHONE: +62 21 7599 9879  
FAX: +62 21 7599 9878

**ITALY**

VIA SOTTOBISIO 30  
BALERNA CH-6828  
PHONE: +41 91 683 6161  
FAX: +41 91 630 2633

**JAPAN**

DIA BLDG 802,  
2-21-1 TSURUYA-CHO,  
KANAGAWA-KU  
YOKOHAMA, 221-0835, JAPAN  
PHONE: 81-45-412-4506  
FAX: 81-45-412-4507

**MEXICO**

**LEON, GUANAJUATO**  
KM. 2.0 BLVD. AEROPUERTO  
LEON 37545, GUANAJUATO, MEXICO  
PHONE: +52 477 761 2030  
FAX: +52 477 761 2010

**MIDDLE EAST & NORTH AFRICA**

VSE INTERNATIONAL CORP.  
P. O. BOX 5618  
BUFFALO GROVE, IL 60089-5618  
PHONE: 847 590 5547  
FAX: 847 590 5587

**PANAMA**

AVE. RICARDO J. ALFARO  
EDIFICIO SUN TOWERS MALL  
PISO 2, LOCAL 55  
CIUDAD DE PANAMÁ, PANAMÁ  
PHONE: +507 236-5155  
FAX: +507 236-0591

**SINGAPORE**

18 KAKI BUKIT ROAD 3, #03-09  
ENTREPRENEUR BUSINESS CENTRE  
SINGAPORE 415978  
PHONE: (65) 6744 2572  
FAX: (65) 6747 1708

**SWITZERLAND**

POSTFACH 73  
SCHUTZENSTRASSE 59  
CH-8245 FEUERTHALEN  
SWITZERLAND  
PHONE: +41 52 647 4700  
FAX: +41 52 659 2394

**TAIWAN**

1F, NO 126 WENSHAN 3RD STREET,  
NANTUNG DISTRICT,  
TAICHUNG CITY 408  
TAIWAN R.O.C  
PHONE: (886) 4 238 04235  
FAX: (886) 4 238 04463

**UNITED KINGDOM**

6 BRISTOL DISTRIBUTION PARK  
HAWKLEY DRIVE  
BRISTOL BS32 0BF U.K.  
PHONE: +44 1454 850000  
FAX: +44 1454 859001

**VENEZUELA**

AV. ROMA. QTA EL MILAGRO. URB.  
CALIFORNIA NORTE  
CARACAS, 1070  
VENEZUELA  
PHONE/FAX: +58 212 272 7343  
MOBILE: +58 414 114 8623

Non-EISA Compliant Catalog Nbr.	EISA Compliant Replacement Catalog Nbr. *	Non-EISA Compliant Catalog Nbr.	EISA Compliant Replacement Catalog Nbr. *	Non-EISA Compliant Catalog Nbr.	EISA Compliant Replacement Catalog Nbr. *	Non-EISA Compliant Catalog Nbr.	EISA Compliant Replacement Catalog Nbr. *	Non-EISA Compliant Catalog Nbr.	EISA Compliant Replacement Catalog Nbr. *
BM2333T	EBM2333T	CM3558T	CEM3558T	CM7037T	CEM7037T	CP3661T	ECP3661T	CR4406TR-4	ECR4406TR-4
BM2513T	EBM2513T	CM3558T-5	CEM3558T-5	CM7037T-I	CEM7037T-I	CP3661T-4	ECP3661T-4	CR4407TR-4	ECR4407TR-4
BM3116T	EBM3116T	CM3559T	CEM3559T	CM7042T	CEM7042T	CP3663T-4	ECP3663T-4	CR4409TR-4	ECR4409TR-4
BM3154T	EBM3154T	CM3559T-5	CEM3559T-5	CM7042T-I	CEM7042T-I	CP3664T	ECP3664T	CR4410TR-4	ECR4410TR-4
BM3157T	EBM3157T	CM3607T	CEM3607T	CM7044T	CEM7044T	CP3664T-4	ECP3664T-4	CR4411TR-4	ECR4411TR-4
BM3211T	EBM3211T	CM3610T	CEM3610T	CM7044T-I	CEM7044T-I	CP3665T	ECP3665T	CR44156TR-4	ECR44156TR-4
BM32v18T	EBM3218T	CM3610T-5	CEM3610T-5	CM7045T	CEM7045T	CP3665T-4	ECP3665T-4	CR44206TR-4	ECR44206TR-4
BM3248T	EBM3248T	CM3611T	CEM3611T	CM7047T	CEM7047T	CP3667T	ECP3667T	CSSWDM3554T	CESSWDM3554T
BM3311T	EBM3311T	CM3611T-5	CEM3611T-5	CM7047T-I	CEM7047T-I	CP3667T-4	ECP3667T-4	CSSWDM3555T	CESSWDM3555T
BM3313T	EBM3313T	CM3613T	CEM3613T	CM7053T	CEM7053T	CP3764T	ECP3764T	CSSWDM3558T	CESSWDM3558T
BM3558T-D	EBM3558T-D	CM3613T-5	CEM3613T-5	CM7054T	CEM7054T	CP3764T-4	ECP3764T-4	CSSWDM3559T	CESSWDM3559T
BM3611T-D	EBM3611T-D	CM3614T	CEM3614T	CM7054T-I	CEM7054T-I	CP3768T	ECP3768T	CSSWDM3610T	CESSWDM3610T
BM3615T-D	EBM3615T-D	CM3615T	CEM3615T	CM7056T	CEM7056T	CP3768T-4	ECP3768T-4	CSSWDM3611T	CESSWDM3611T
BM3710T-D	EBM3710T-D	CM3615T-5	CEM3615T-5	CM7056T-I	CEM7056T-I	CP3769T-4	ECP3769T-4	CSSWDM3613T	CESSWDM3613T
BM3714T-D	EBM3714T-D	CM3616T	CEM3616T	CM7058T	CEM7058T	CP3770T	ECP3770T	CSSWDM3615T	CESSWDM3615T
CBM3558T-D	CEBM3558T-D	CM3660T	CEM3660T	CM7058T-I	CEM7058T-I	CP3770T-4	ECP3770T-4	CSSWDM3709T	CESSWDM3709T
CBM3611T-D	CEBM3611T-D	CM3661T	CEM3661T	CM7059T	CEM7059T	CP3771T-4	ECP3771T-4	CSSWDM3710T	CESSWDM3710T
CBM3615T-D	CEBM3615T-D	CM3663T	CEM3663T	CM7060T	CEM7060T	CP3773T-4	ECP2394T-4	CSSWDM3711T	CESSWDM3711T
CBM3710T-D	CEBM3710T-D	CM3665T	CEM3665T	CM7060T-I	CEM7060T-I	CP3774T	ECP3774T	CSSWDM3714T	CESSWDM3714T
CBM3714T-D	CEBM3714T-D	CM3704T	CEM3704T	CM7062T	CEM7062T	CP3774T-4	ECP3774T-4	CSWDM3558T	CESWDM3558T
CM2333T	CEM2333T	CM3708T	CEM3708T	CM7062T-I	CEM7062T-I	CP4100T	ECP4100T	CSWDM3611T	CESWDM3611T
CM2333T-5	CEM2333T-5	CM3709T	CEM3709T	CM7063T	CEM7063T	CP4100T-4	ECP4100T-4	CSWDM3615T	CESWDM3615T
CM2334T	CEM2334T	CM3710T	CEM3710T	CM7064T	CEM7064T	CP4102T	ECP4102T	CSWDM3710T	CESWDM3710T
CM2334T-5	CEM2334T-5	CM3710T-5	CEM3710T-5	CM7064T-I	CEM7064T-I	CP4102T-4	ECP4102T-4	CSWDM3714T	CESWDM3714T
CM2513T	CEM2513T	CM3711T	CEM3711T	CM7071T	CEM7071T	CP4103T	ECP4103T	CUHM3546T	CEUHM3546T
CM2514T	CEM2514T	CM3711T-5	CEM3711T-5	CM7072T	CEM7072T	CP4103T-4	ECP4103T-4	CUHM3554T	CEUHM3554T
CM2515T	CEM2515T	CM3713T	CEM3713T	CM7073T	CEM7073T	CP4104T	ECP4104T	CUHM3558T	CEUHM3558T
CM2516T	CEM2516T	CM3713T-5	CEM3713T-5	CM7075T	CEM7075T	CP4104T-4	ECP4104T-4	CUHM3611T	CEUHM3611T
CM2531T	CEM2531T	CM3714T	CEM3714T	CM7170T	CEM7170T	CP4106T-4	ECP4106T-4	CUHM3615T	CEUHM3615T
CM2535T	CEM2535T	CM3714T-5	CEM3714T-5	CM7170T-I	CEM7170T-I	CP4107T-4	ECP4107T-4	CWAM22976T	CEWAM22976T
CM2539T	CEM2539T	CM3769T	CEM3769T	CM7174T	CEM7174T	CP4108T-4	ECP4108T-4	CWAM23932T	CEWAM23932T
CM2543T	CEM2543T	CM3770T	CEM3770T	CM8004T	CUSTOM	CP4109T-4	ECP4109T-4	CWAM3558T	CEWAM3558T
CM2547T	CEM2547T	CM3771T	CEM3771T	CM8005T	CUSTOM	CP4110T	ECP4110T	CWAM3559T	CEWAM3559T
CM2551T	CEM2551T	CM3773T	CEM3713T	CP2276T	ECP2276T	CP4110T-4	ECP4110T-4	CWAM3611T	CEWAM3611T
CM2555T	CEM2555T	CM3774T	CEM3774T	CP2276T-4	ECP2276T-4	CP4111T	ECP4111T	CWAM3613T	CEWAM3613T
CM3116T	CEM3116T	CM4103T	CEM4103T	CP2332T	ECP2332T	CP4111T-4	ECP4111T-4	CWAM3614T	CUSTOM
CM3154T	CEM3154T	CM4104T	CEM4104T	CP2332T-4	ECP2332T-4	CP4115T	ECP4115T	CWAM3615T	CEWAM3615T
CM3157T	CEM3157T	CM4104T-5	CEM4104T-5	CP2333T	ECP2333T	CP4115T-4	ECP4115T-4	CWAM3616T	CUSTOM
CM3158T	CEM3158T	CM4106T	CEM4106T	CP2333T-4	ECP2333T-4	CP4117T	ECP4117T	CWAM3704T	CEWAM3704T
CM3211T	CEM3211T	CM4107T	CEM4107T	CP2334T	ECP2334T	CP4117T-4	ECP4117T-4	CWAM3708T	CEWAM3708T
CM3212T	CEM3212T	CM4108T	CEM4108T	CP2334T-4	ECP2334T-4	CP4308T	ECP4308T	CWAM3710T	CEWAM3710T
CM3218T	CEM3218T	CM4109T	CEM4109T	CP2394T-4	ECP2394T-4	CP4312T	ECP4312T-4	CWAM3711T	CEWAM3711T
CM3219T	CEM3219T	CM4110T	CEM4110T	CP3580T-4	ECP3580T-4	CP4314T	ECP4314T	CWAM3714T	CEWAM3714T
CM3311T	CEM3311T	CM4114T	CEM4114T	CP3581T	ECP3581T	CP4314T-4	ECP4314T-4	CWDM22976T	CEWDM22976T
CM3312T	CEM3312T	CM4115T	CEM4115T	CP3581T-4	ECP3581T-4	CP4316T	ECP4316T	CWDM23932T	CEWDM23932T
CM3313T	CEM3313T	CM4310T	CEM4310T	CP3582T	ECP3582T	CP4316T-4	ECP4316T-4	CWDM23933T	CEWDM23933T
CM3314T	CEM3314T	CM4313T	CEM4313T	CP3582T-4	ECP3582T-4	CP4400T-4	ECP4400T-4	CWDM23934T	CEWDM23934T
CM3546T	CEM3546T	CM4314T	CEM4314T	CP3583T-4	ECP3583T-4	CP4403T	ECP4403T	CWDM23994T	CEWDM23994T
CM3546T-5	CEM3546T-5	CM4316T	CEM4316T	CP3584T	ECP3584T	CP4404T	ECP4404T	CWDM3555T	CEWDM3555T
CM3550T	CEM3550T	CM4400T	CEM4400T	CP3584T-4	ECP3584T-4	CP4406T-4	ECP4406T-4	CWDM3558T	CEWDM3558T
CM3554T	CEM3554T	CM7014T	CEM7014T	CP3586T-4	ECP3586T-4	CP44204TR-4	ECP4407TR-4	CWDM3558T-5	CEWDM3558T-5
CM3554T-5	CEM3554T-5	CM7018T	CEM7018T	CP3587T	ECP3587T	CP44404T-4	ECP44202T-4	CWDM3559T	CEWDM3559T
CM3555T	CEM3555T	CM7034T	CEM7034T	CP3587T-4	ECP3587T-4	CR4400TR-4	ECR4400TR-4	CWDM3610T	CEWDM3610T
CM3556T	CEM3556T	CM7034T-I	CEM7034T-I	CP3660T-4	ECP3660T-4	CR4404TR-4	ECR4404TR-4	CWDM3611T	CEWDM3611T

\* When selecting an EISA compliant replacement there may be slight differences in performance, efficiency, voltage range, dimensions and mounting. Customers should verify suitability of selected products for their specific application. For models that do not have a direct replacement contact your local Baldor-Reliance Sales Representative.

Gearmotors and Gear Products

PT Components

Motor Accessories

Grinders

Generators

Servo Motors and Controls

Mod Express

Baldor Education Workshops

Classifications and Sales Offices

EISA Compliance Table & Index

	Non-EISA Compliant Catalog Nbr.	EISA Compliant Replacement Catalog Nbr. *	Non-EISA Compliant Catalog Nbr.	EISA Compliant Replacement Catalog Nbr. *	Non-EISA Compliant Catalog Nbr.	EISA Compliant Replacement Catalog Nbr. *	Non-EISA Compliant Catalog Nbr.	EISA Compliant Replacement Catalog Nbr. *	Non-EISA Compliant Catalog Nbr.	EISA Compliant Replacement Catalog Nbr. *
PT Components	CWDM3611T-5	CEWDM3611T-5	EH3M9244T	CUSTOM	H3M9122T	CUSTOM	HFM3218T	EHF3218T	HM9252T	EHM2543T
	CWDM3613T	CEWDM3613T	EH3M9246T	CUSTOM	H3M9125T	CUSTOM	HFM3311T	EHF3311T	HM9255T	EHM2547T
	CWDM3614T	CEWDM3614T	EH3M9248T	CUSTOM	H3M9126T	CUSTOM	HFM3313T	EHF3313T	HM9258T	EHM2551T
	CWDM3615T	CEWDM3615T	EH3M9249T	CUSTOM	H3M9128T	CUSTOM	HM2515T	EHM2515T	M2276T	EM2276T
	CWDM3615T-5	CEWDM3615T-5	EH3M9258T	CUSTOM	H3M9129T	CUSTOM	HM2523T	EHM2523T	M2332T	EM2332T
	CWDM3616T	CEWDM3616T	EHM9110T	EM3546T	H3M9131T	CUSTOM	HM2531T	EHM2531T	M2333T	EM2333T
Motor Accessories	CWDM3704T	CEWDM3704T	EHM9114T	EM3554T	H3M9132T	CUSTOM	HM2535T	EHM2535T	M2333T-5	EM2333T-5
	CWDM3708T	CEWDM3708T	EHM9118T	EHM3558T	H3M9133T	CUSTOM	HM2539T	EHM2539T	M2334T	EM2334T
	CWDM3709T	CEWDM3709T	EHM9122T	EHM3611T	H3M9135T	CUSTOM	HM2543T	EHM2543T	M2334T-12	EM2334T-12
	CWDM3710T	CEWDM3710T	EHM9126T	EHM3615T	H3M9139T	CUSTOM	HM2547T	EHM2547T	M2334T-5	EM2334T-5
	CWDM3711T	CEWDM3711T	EHM9129T	EHM3710T	H3M9201	CUSTOM	HM2551T	EHM2551T	M2394T	EM2394T
	CWDM3713T	CEWDM3713T	EHM9132T	EHM3714T	H3M9202	CUSTOM	HM2555T	EHM2555T	M2506T	EM2506T
Grinders	CWDM3714T	CEWDM3714T	EHM9135T	EHM2333T	H3M9204	CUSTOM	HM3116	CUSTOM	M2511T	EM2511T
	CWDM41906T	CEWDM41906T	EHM9139T	EHM2334T	H3M9205	CUSTOM	HM3116A	CUSTOM	M2513T	EM2513T
	EH3M9101	CUSTOM	EHM9142T	EHM4103T	H3M9206	CUSTOM	HM3116T	EHM3116T	M2513T-5	EM2513T-5
	EH3M9102	CUSTOM	EHM9146T	EHM4104T	H3M9210	CUSTOM	HM3154	CUSTOM	M2514T	EM2514T
	EH3M9104	CUSTOM	EHM9149T	EHM4110T	H3M9212T	CUSTOM	HM3154A	CUSTOM	M2515T	EM2515T
	EH3M9105	CUSTOM	EHM9152T	EM4115T	H3M9214T	CUSTOM	HM3154T	EHM3154T	M2515T-12	EM2515T-12
Gearmotors	EH3M9106	CUSTOM	EHM9155T	EM4314T	H3M9217T	CUSTOM	HM3157	CUSTOM	M2515T-5	EM2515T-5
	EH3M9110T	CUSTOM	EHM9214T	EHM3154T	H3M9218T	CUSTOM	HM3157A	CUSTOM	M2516T	EM2516T
	EH3M9112T	CUSTOM	EHM9218T	EHM3157T	H3M9221T	CUSTOM	HM3157T	EHM3157T	M2524T	EM2524T
	EH3M9114T	CUSTOM	EHM9222T	EHM3211T	H3M9222T	CUSTOM	HM3161A	CUSTOM	M2528T	EM2528T
	EH3M9117T	CUSTOM	EHM9226T	EHM3218T	H3M9225T	CUSTOM	HM3211T	EHM3211T	M2531T	EM2531T
	EH3M9118T	CUSTOM	EHM9229T	EHM3311T	H3M9226T	CUSTOM	HM3218T	EHM3218T	M2531T-12	EM2531T-12
Servo Motors and Controls	EH3M9121T	CUSTOM	EHM9232T	EHM3313T	H3M9228T	CUSTOM	HM3218TA	EHM3218TA	M2531T-5	EM2531T-5
	EH3M9122T	CUSTOM	EHM9235T	EHM2523T	H3M9229T	CUSTOM	HM3311T	EHM3311T	M2532T	EM2532T
	EH3M9125T	CUSTOM	EHM9246T	EHM2535T	H3M9231T	CUSTOM	HM3313T	EHM3313T	M2534T	EM2534T
	EH3M9126T	CUSTOM	EHM9252T	EHM2543T	H3M9232T	CUSTOM	HM9110T	CUSTOM	M2535T	EM2535T
	EH3M9128T	CUSTOM	FM2513T	EFM2513T	H3M9233T	CUSTOM	HM9114T	EM3554T	M2535T-12	EM2535T-12
	EH3M9129T	CUSTOM	FM2515T	EFM2515T	H3M9235T	CUSTOM	HM9118T	EHM3558T	M2535T-5	EM2535T-5
Mod Express	EH3M9131T	CUSTOM	FM2531T	EFM2531T	H3M9238T	CUSTOM	HM9122T	EHM3611T	M2536T	EM2536T
	EH3M9132T	CUSTOM	FM2535T	EFM2535T	H3M9239T	CUSTOM	HM9126T	EHM3615T	M2538T	EM2538T
	EH3M9135T	CUSTOM	FM2539T	EFM2539T	H3M9241T	CUSTOM	HM9129T	EHM3710T	M2539T	EM2539T
	EH3M9139T	CUSTOM	FM2543T	EFM2543T	H3M9242T	CUSTOM	HM9132T	EHM3714T	M2539T-12	EM2539T-12
	EH3M9202	CUSTOM	FM3211T	EFM3211T	H3M9244T	CUSTOM	HM9135T	EHM2333T	M2539T-5	EM2539T-5
	EH3M9204	CUSTOM	FM3218T	EFM3218T	H3M9246T	CUSTOM	HM9139T	EHM2334T	M2540T	EM2540T
Baldor Education Workshop	EH3M9206	CUSTOM	FM3311T	EFM3311T	H3M9248T	CUSTOM	HM9142T	EHM4103T	M2542T	EM2542T
	EH3M9210T	CUSTOM	FM3313T	EFM3313T	H3M9249T	CUSTOM	HM9146T	EHM4104T	M2543T	EM2543T
	EH3M9214T	CUSTOM	FM3558T	EFM3558T	H3M9252T	CUSTOM	HM9149T	EHM4110T	M2543T-12	EM2543T-12
	EH3M9217T	CUSTOM	FM3611T	EFM3611T	H3M9255T	CUSTOM	HM9152T	EM4115T	M2543T-5	EM2543T-5
	EH3M9218T	CUSTOM	FM3615T	EFM3615T	H3M9258T	CUSTOM	HM9155T	EM4314T	M2543TS-12	EM2543TS-12
	EH3M9221T	CUSTOM	FM3710T	EFM3710T	HFM2515T	EHF32515T	HM9158T	EM4316T	M2544T	EM2544T
Classifications and Sales Offices	EH3M9222T	CUSTOM	FM3714T	EFM3714T	HFM2523T	EHF32523T	HM9210	CUSTOM	M2546T	EM2546T
	EH3M9225T	CUSTOM	H3M9101	CUSTOM	HFM2531T	EHF32531T	HM9214T	EHM3154T	M2547T	EM2547T
	EH3M9226T	CUSTOM	H3M9102	CUSTOM	HFM2535T	EHF32535T	HM9218T	EHM3157T	M2547T-12	EM2547T-12
	EH3M9228T	CUSTOM	H3M9104	CUSTOM	HFM2539T	EHF32539T	HM9222T	EHM3211T	M2547T-5	EM2547T-5
	EH3M9229T	CUSTOM	H3M9105	CUSTOM	HFM2543T	EHF32543T	HM9226T	EHM3218T	M2547TS-12	EM2547TS-12
	EH3M9231T	CUSTOM	H3M9106	CUSTOM	HFM2547T	EHF32547T	HM9229T	EHM3311T	M2548T	EM2548T
EISA Compliance Table & Index	EH3M9232T	CUSTOM	H3M9110	CUSTOM	HFM2551T	EHF32551T	HM9232T	EHM3313T	M2549T	EM2549T
	EH3M9233T	CUSTOM	H3M9112T	CUSTOM	HFM2555T	EHF32555T	HM9235T	EHM2523T	M2550T	EM2550T
	EH3M9235T	CUSTOM	H3M9114T	CUSTOM	HFM3116T	EHF33116T	HM9239T	EHM2515T	M2551T	EM2551T
	EH3M9238T	CUSTOM	H3M9117T	CUSTOM	HFM3154T	EHF33154T	HM9242T	EHM2531T	M2551T-12	EM2551T-12
	EH3M9239T	CUSTOM	H3M9118T	CUSTOM	HFM3157T	EHF33157T	HM9246T	EHM2535T	M2551T-5	EM2551T-5
	EH3M9242T	CUSTOM	H3M9121T	CUSTOM	HFM3211T	EHF33211T	HM9249T	EHM2539T	M2551TS-12	EM2551TS-12

\* When selecting an EISA compliant replacement there may be slight differences in performance, efficiency, voltage range, dimensions and mounting. Customers should verify suitability of selected products for their specific application. For models that do not have a direct replacement contact your local Baldor-Reliance Sales Representative.

Non-EISA Compliant Catalog Nbr.	EISA Compliant Replacement Catalog Nbr. *	Non-EISA Compliant Catalog Nbr.	EISA Compliant Replacement Catalog Nbr. *	Non-EISA Compliant Catalog Nbr.	EISA Compliant Replacement Catalog Nbr. *	Non-EISA Compliant Catalog Nbr.	EISA Compliant Replacement Catalog Nbr. *	Non-EISA Compliant Catalog Nbr.	EISA Compliant Replacement Catalog Nbr. *
M2552T	EM2552T-4	M3550T-5	EM3550T-5	M3768T	EM3768T	M4406T-4	EM4406T-4	M7047T-I-5	EM7047T-I-5
M2554T-4	EM2554T-4	M3554T	EM3554T	M3769T	EM3769T	M4406T-5	EM4406T-5	M7048T	EM7048T
M2555T	EM2555T-4	M3554T-5	EM3554T-5	M3770T	EM3770T	M4406TS-4	EM4406TS-4	M7048T-I	EM7048T-I
M2555T-12	EM2555T-12	M3555T	EM3555T	M3770T-5	EM3770T-5	M4407T-4	EM4407T-4	M7053T	EM7053T
M2555T-5	EM2555T-5	M3555T-5	EM3555T-5	M3771T	EM3771T	M4407TR-4	EM4407TR-4	M7053T-I	EM7053T-I
M2555TS-12	EM2555TS-12	M3556T	EM3556T	M3774T	EM3774T	M4407TS-4	EM4407TS-4	M7054T	EM7054T
M2556T-4	EM2556T-4	M3556T-5	EM3556T-5	M3774T-5	EM3774T-5	M4409T	EM4409T-4	M7054T-5	EM7054T-5
M2557T-4	EM2557T-4	M3558T	EM3558T	M4100T	EM4100T	M4410T-4	EM4410T-4	M7054T-I	EM7054T-I
M2558T-4	EM2558T-4	M3558T-5	EM3558T-5	M4102T	EM4102T	M4410T-5	EM4410T-5	M7054T-I-5	EM7054T-I-5
M2558T-5	EM2558T-5	M3559T	EM3559T	M4103T	EM4103T	M4410TS-4	EM4410TS-4	M7056T	EM7056T
M2558TS-4	EM2558TS-4	M3559T-5	EM3559T-5	M4103T-12	EM4103T-12	M4411T-4	EM4411T-4	M7056T-5	EM7056T-5
M2559T-4	EM2559T-4	M3581T	EM3581T	M4103T-5	EM4103T-5	M4412T-4	EM4412T-4	M7056T-I	EM7056T-I
M2559T-5	EM2559T-5	M3582T	EM3582T	M4104T	EM4104T	M4413T-4	EM4413T-4	M7056T-I-5	EM7056T-I-5
M2559TS-4	EM2559TS-4	M3583T	EM3583T	M4104T-12	EM4104T-12	M44156T-4	EM44156T-4	M7057T	EM7057T
M2560T-4	EM2560T-4	M3584T	EM3584T	M4104T-5	EM4104T-5	M4416T-4	EM4416T-4	M7057T-I	EM7057T-I
M2562T-4	EM2562T-4	M3586T	EM3586T	M4106T	EM4106T	M44206T-4	EM44206T-4	M7058T	EM7058T
M2563T-4	EM2563T-4	M3587T	EM3587T	M4106T-5	EM4106T-5	M7013T-I	EM7013T-I	M7058T-5	EM7058T-5
M2564T-4	EM2564T-4	M3607T	EM3607T	M4107T	EM4107T	M7014T	EM7014T	M7058T-I	EM7058T-I
M2583T	EM2583T-4	M3607T-5	EM3607T-5	M4107T-5	EM4107T-5	M7014T-5	EM7014T-5	M7058T-I-5	EM7058T-I-5
M3116T	EM3116T	M3610T	EM3610T	M4108T	EM4108T	M7014T-I	EM7014T-I	M7059T	EM7059T
M3116T-5	EM3116T-5	M3611T	EM3611T	M4108T-5	EM4108T-5	M7018T	EM7018T	M7059T-I	EM7059T-I
M3120T	EM3120T	M3611T/36	EM3611T	M4109T	EM4109T	M7018T-5	EM7018T-5	M7060T	EM7060T
M3154T	EM3154T	M3611T-5	EM3611T-5	M4109T-5	EM4109T-5	M7018T-I	EM7018T-I	M7060T-5	EM7060T-5
M3154T-5	EM3154T-5	M3613T	EM3613T	M4110T	EM4110T	M7020T	EM7020T	M7060T-I	EM7060T-I
M3155T	EM3155T	M3613T-5	EM3613T-5	M4110T-12	EM4110T-12	M7020T-I	EM7020T-I	M7060T-I-5	EM7060T-I-5
M3156T	EM3156T	M3614T	EM3614T	M4110T-5	EM4110T-5	M7026T	EM7026T	M7062T	EM7062T
M3157T	EM3157T	M3614T-5	EM3614T-5	M4111T	EM4111T	M7026T-I	EM7026T-I	M7062T-5	EM7062T-5
M3157T-5	EM3157T-5	M3615T	EM3615T	M4114T	EM4114T	M7032T	EM7032T	M7062T-I	EM7062T-I
M3157TA	EM3157TA	M3615T-5	EM3615T-5	M4114T-5	EM4114T-5	M7032T-I	EM7032T-I	M7062T-I-5	EM7062T-I-5
M3158T	EM3158T	M3616T	EM3616T	M4115T	EM4115T	M7034T	EM7034T	M7063T	EM7063T
M3161T	EM3211T	M3616T-5	EM3709T-5	M4115T-12	EM4115T-12	M7034T-5	EM7034T-5	M7063T-I	EM7063T-I
M3161TA	CUSTOM	M3660T	EM3660T	M4115T-5	EM4115T-5	M7034T-I	EM7034T-I	M7064T	EM7064T
M3207T	EM3207T	M3661T	EM3661T	M4115TS	EM4115TS	M7036T	EM7036T	M7064T-I	EM7064T-I
M3211T	EM3211T	M3661T-5	EM3661T-5	M4117T	EM4117T	M7036T-I	EM7036T-I	M7064T-I-5	EM7064T-I-5
M3211T/36	EM3211T	M3663T	EM3663T	M4118T	EM4118T	M7037T	EM7037T	M7065T	EM7065T
M3211T-5	EM3211T-5	M3664T	EM3664T	M4308T	EM4308T	M7037T-5	EM7037T-5	M7065T-I	EM7065T-I
M3211TA	EM3211TA	M3665T	EM3665T	M4310T	EM4310T	M7037T-I	EM7037T-I	M7066T	EM7066T
M3212T	EM3212T	M3665T-5	EM3665T-5	M4312T	EM4312T	M7040T	EM7040T	M7066T-I	EM7066T-I
M3215T	EM3215T	M3667T	EM3667T	M4313T	EM4313T	M7040T-I	EM7040T-I	M7066T-I-5	EM7066T-I-5
M3218T	EM3218T	M3704T	EM3704T	M4314T	EM4314T	M7041T	EM7041T	M7067T	EM7067T
M3218T-5	EM3218T-5	M3704T-5	EM3704T-5	M4314T-12	EM4314T-12	M7041T-I	EM7041T-I	M7067T-I	EM7067T-I
M3218TA	EM3218TA	M3708T	EM3708T	M4314T-5	EM4314T-5	M7042T	EM7042T	M7068T	EM7068T
M3219T	EM3219T	M3708T-5	EM3708T-5	M4314TS	EM4314TS	M7042T-5	EM7042T-5	M7068T-I	EM7068T-I
M3305T	EM3305T	M3709T	EM3709T	M4316T	EM4316T	M7042T-I	EM7042T-I	M7068T-I-5	EM7068T-I-5
M3309T	EM3309T	M3709T-5	EM3709T-5	M4316T-12	EM4316T-12	M7042T-I-5	EM7042T-I-5	M7070T	EM7070T
M3311T	EM3311T	M3710T	EM3710T	M4316T-5	EM4316T-5	M7044T	EM7044T	M7071T	EM7071T
M3311T-5	EM3311T-5	M3710T-5	EM3710T-5	M4316TS	EM4316TS	M7044T-5	EM7044T-5	M7071T-5	EM7071T-5
M3312T	EM3312T	M3711T	EM3711T	M4400T	EM4400T	M7044T-I	EM7044T-I	M7071T-I	EM7071T-I
M3313T	EM3313T	M3711T-5	EM3711T-5	M4400T-12	EM4400T-12	M7044T-I-5	EM7044T-I-5	M7072T	EM7072T
M3313T-5	EM3313T-5	M3713T	EM3713T	M4400T-5	EM4400T-5	M7045T	EM7045T	M7072T-5	EM7072T-5
M3314T	EM3314T	M3713T-5	EM3713T-5	M4400TS	EM4400TS	M7045T-I	EM7045T-I	M7072T-I	EM7072T-I
M3546T	EM3546T	M3714T	EM3714T	M4402T-4	EM4402T-4	M7047T	EM7047T	M7073T	EM7073T
M3546T-5	EM3546T-5	M3714T-5	EM3714T-5	M4403T	EM4403T	M7047T-5	EM7047T-5	M7074T	EM7074T
M3550T	EM3550T	M3764T	EM3764T	M4404T	EM4404T	M7047T-I	EM7047T-I	M7075T	EM7075T

\* When selecting an EISA compliant replacement there may be slight differences in performance, efficiency, voltage range, dimensions and mounting. Customers should verify suitability of selected products for their specific application. For models that do not have a direct replacement contact your local Baldor-Reliance Sales Representative.

Gearmotors and Gear Products

PT Components

Motor Accessories

Grinders

Generators

Servo Motors and Controls

Mod Express

Baldor Education Workshops

Classifications and Sales Offices

EISA Compliance Table & Index



	Non-EISA Compliant Catalog Nbr.	EISA Compliant Replacement Catalog Nbr. *	Non-EISA Compliant Catalog Nbr.	EISA Compliant Replacement Catalog Nbr. *	Non-EISA Compliant Catalog Nbr.	EISA Compliant Replacement Catalog Nbr. *	Non-EISA Compliant Catalog Nbr.	EISA Compliant Replacement Catalog Nbr. *	Non-EISA Compliant Catalog Nbr.	EISA Compliant Replacement Catalog Nbr. *
PT Components	M7079T	EM7079T	MM3558	EMM3558	P18G4827	EM7542T-I	P21G4921	EM3774T-5	P25G7401	EM2332T
	M7079T-I	EM7079T-I	MM3559	EMM3559	P18G4828	EM7544T-I	P21G545	EM7547T-I	P25G7402	EM2333T
	M7080T	EM7080T	MM3611	EMM3611	P18G4854	EM7120T	P21G546	EM7670T-I	P25G7403	EM2334T
	M7080T-I	EM7080T-I	MM3613	EMM3613	P18G4900	EM3660T	P21G582	EM7574T-I	P25G7404	EM2394T
	M7081T	EM7081T	MM3615	EMM3615	P18G4901	EM3663T	P21G7400	EM3664T	P25G7405	EM4106T
	M7081T-I	EM7081T-I	MM3709	EMM3709	P18G4902	EM3661T	P21G7401	EM3768T	P28G1060	CEM4103T
	M7082T	EM7082T	MM3710	EMM3710	P18G4903	EM3665T	P21G7402	EM3770T	P28G1061	CEM4104T
	M7082T-I	EM7082T-I	MM3711	EMM3711	P18G4904	EM3667T	P21G7403	EM3774T	P28G1062	CEM4107T
	M7083T	EM7083T	MM3714	EMM3714	P18G4905	EM3664T	P21G7404	EM3769T	P28G1714	BM4103T
	M7083T-I	EM7083T-I	MM4103	EMM4103	P18G4920	EM3661T-5	P21G7405	EM3771T	P28G3103	AEM2332-4
Motor Accessories	M7084T	EM7084T	MM4104	EMM4104	P18G4921	EM3665T-5	P25G1118	CEM2333T	P28G3104	AEM2333-4
	M7084T-I	EM7084T-I	MM4110	EMM4110	P18G534	EM7542T-I	P25G1119	CEM2334T	P28G3371	EM4103T-5
	M7085T	EM7085T	MM5650	EMM5650	P18G535	EM7544T-I	P25G1120	CEM2394T	P28G3504	EM2531T-CI
	M7085T-I	EM7085T-I	MM5650-5	EMM5650-5	P18G583	EM7572T-I	P25G1121	CEM4106T	P28G3505	EM2535T-CI
	M7086T	EM7086T	MM5700	EMM5700	P18G7400	EM3667T	P25G1122	CEM2333T-5	P28G403	EM4107T-5
	M7086T-I	EM7086T-I	MM5700-5	EMM5700-5	P18G7401	EM3664T	P25G1123	CEM2334T-5	P28G404	EM4108T-5
	M7087T	EM7087T	MM5750	EMM5750	P18G7402	EM3661T	P25G1124	CEM2333T	P28G4552	EM4103T-5
	M7087T-I	EM7087T-I	MM5750-5	EMM5750-5	P18G7403	EM3665T	P25G1146	CEM7054T	P28G4800	EM7063T
	M7090T	EM7090T	MVM5650C-5	EMVM5650C-5	P18G7404	EM3660T	P25G1147	CEM7056T	P28G4801	EM7083T
	M7090T-I	EM7090T-I	MVM5650D-5	EMVM5650D-5	P18G7405	EM3663T	P25G1736	BM2353T	P28G4826	EM7060T
Gearmotors	M7090T-I-5	EM7090T-I-5	MVM5700C-5	EMVM5700C-5	P18S4107	VM3611T	P25G1737	BM2354T	P28G4827	EM7558T-I
	M7114T	EM7114T	MVM5700D-5	EMVM5700D-5	P21G1101	VEM3770T	P25G3106	AEM2237-4	P28G4828	EM7560T-I
	M7126T	EM7126T	MVM5750C-5	EMVM5750C-5	P21G1102	VEM3774T	P25G3107	AEM2238-4	P28G4850	EM7057T
	M7134T	EM7134T	MVM5750D-5	EMVM5750D-5	P21G1156	CEM7047T	P25G3332	EM2276T	P28G4851	EM7079T
	M7137T	EM7137T	P18A1015	VM3615T	P21G1157	CEM7170T	P25G3363	EM2333T-5	P28G4900	EM4107T
	M7142T	EM7142T	P18A1585	BM3611T	P21G3109	AEM3783-4	P25G3364	EM2334T-5	P28G4901	EM4108T
	M7144T	EM7144T	P18A1586	BM3635T	P21G3111	AEM3787-4	P25G3509	EM2515T-CI	P28G4902	EM4103T
	M7145T	EM7145T	P18G1132	VEM3661T	P21G3832	CEM3770T	P25G3510	EM2513T-CI	P28G4903	EM4104T
	M7147T	EM7147T	P18G1133	VEM3665T	P21G3833	CEM3774T	P25G413	EM2394T-5	P28G4904	EM4100T
	M7170T	EM7170T	P18G1181	CEM7042T	P21G3840	CEM3770T	P25G414	EM4106T-5	P28G4905	EM4102T
Servo Motors and Controls	M7170T-5	EM7170T-5	P18G1182	CEM7044T	P21G3841	CEM3774T	P25G4504	EM2394T-5	P28G4920	EM4103T-5
	M7170T-I	EM7170T-I	P18G2130	CEBM7142T	P21G3842	CEM3764T	P25G4552	EM2333T-5	P28G4921	EM4104T-5
	M7170T-I-5	EM7170T-I-5	P18G2131	CEBM7144T	P21G3843	CEM3768T	P25G4800	EM7053T	P28G4922	EM4107T-5
	M7172T	EM7172T	P18G3110	AEM3683-4	P21G3844	CEM3769T	P25G4825	EM7054T	P28G507	EM7558T-I
	M7174T	EM7174T	P18G3434	EM3661T	P21G3845	CEM3771T	P25G4826	EM7056T	P28G508	EM7560T-I
	M7174T-I	EM7174T-I	P18G3824	EM3665T-5	P21G3882	VM3770T	P25G4827	EM7554T-I	P28G520	EM7558T-I
	M7310T-I	EM7310T-I	P18G3832	CEM3661T	P21G3883	VM3774T	P25G4828	EM7556T-I	P28G521	EM7560T-I
	M7313T-I	EM7313T-I	P18G3833	CEM3615T	P21G3884	VEM3770T-5	P25G4852	EM7548T-I	P28G7400	EM4100T
	M74124T-4	EM74124T-4	P18G3840	CEM3661T	P21G3885	VEM3774T-5	P25G4853	EM7565T-I	P28G7401	EM4102T
	M74154T-4	EM74154T-4	P18G3841	CEM3665T	P21G4552	EM3770T-5	P25G4900	EM2394T	P28G7402	EM4103T
Baldor Education Workshop	M74204T-4	EM74204T-4	P18G3843	CEM3664T	P21G4553	EM3774T-5	P25G4901	EM4106T	P28G7403	EM4104T
	M8003T	EM8003T	P18G3844	CEM3660T	P21G4801	EM7174T	P25G4902	EM2333T	P28G7404	EM4107T
	M8004T	EM8004T	P18G3845	CEM3663T	P21G4825	EM7147T	P25G4903	EM2334T	P28G7405	EM4108T
	M8005T	EM8005T	P18G3846	CEM3661T-5	P21G4827	EM7547T-I	P25G4904	EM2276T	P28G86	EM2538T-CI
	M8006T	EM8006T	P18G3847	CEM3665T-5	P21G4828	EM7670T-I	P25G4905	EM2332T	P32G1038	CEM4110T
	M8007T	EM8007T	P18G3881	VM3664T	P21G4856	EM7536T-I	P25G4922	EM2333T-5	P32G1039	CEM4115T
	M8008T	EM8008T	P18G3882	VM3661T	P21G4857	EM7540T-I	P25G4923	EM2334T-5	P32G3106	AEM4103-4
	M8009T	EM8009T	P18G3883	VM3665T	P21G4900	EM3769T	P25G4924	EM2394T-5	P32G3107	AEM4104-4
	M8010T	EM8010T	P18G3884	VEM3661T-5	P21G4901	EM3771T	P25G4925	EM4106T-5	P32G3345	EM4110T
	M8014T	CUSTOM	P18G3885	VEM3665T-5	P21G4902	EM3770T	P25G539	EM7554T-I	P32G3346	EM4115T
Classifications and Sales Offices	MM2333	EMM2333	P18G3887	VM3663T	P21G4903	EM3774T	P25G540	EM7556T-I	P32G3350	EM4117T
	MM2334	EMM2334	P18G4503	EM3613T-5	P21G4904	EM3764T	P25G545	EM7554T-I	P32G3381	EM4110T-5
	MM3554	EMM3554	P18G4553	EM3665T-5	P21G4905	EM3768T	P25G546	EM7556T-I	P32G3382	EM4115T-5
	MM3555	EMM3555	P18G4826	EM7144T	P21G4920	EM3770T-5	P25G581	EM7559T-I	P32G395	EM4114T

\* When selecting an EISA compliant replacement there may be slight differences in performance, efficiency, voltage range, dimensions and mounting. Customers should verify suitability of selected products for their specific application. For models that do not have a direct replacement contact your local Baldor-Reliance Sales Representative.



Non-EISA Compliant Catalog Nbr.	EISA Compliant Replacement Catalog Nbr. *	Non-EISA Compliant Catalog Nbr.	EISA Compliant Replacement Catalog Nbr. *	Non-EISA Compliant Catalog Nbr.	EISA Compliant Replacement Catalog Nbr. *
P32G403	EM4109T-5	P40G4550	EM4400T	VCP3769T-4	VECP3769T-4
P32G404	EM4114T-5	P40G4552	EM4400T-5	VCP3770T	VECP3770T
P32G4500	EM4109T	P40G4554	EM4400TS	VCP3770T-4	VECP3770T-4
P32G4501	EM4114T	P40G4650	EM4403T	VCP3771T-4	VECP3771T-4
P32G4502	EM4109T-5	P40G4826	EM7590T-I	VCP3774T	VECP3774T
P32G4505	EM4114T-5	P40G4853	EM7587T-I	VCP3774T-4	VECP3774T-4
P32G4550	EM4110T	P40G491	EM4400T-5	VCP4100T	VECP4100T
P32G4551	EM4115T	P44G435	EM7600T-I	VCP4102T	VECP4102T
P32G4552	EM4110T-5	P44G438	EM7596T-I	VCP4103T	VECP4103T
P32G4553	EM4115T-5	P44G455	EM2558T-4	VCP4111T	VECP4111T
P32G4650	EM4111T	P44G4550	EM4410T-4	WDM3558T	EWDM3558T
P32G4651	EM4117T	P44G4551	EM4406T-4	WDM3558TP	WDM3558TP-9
P32G4800	EM7067T	P44G4554	EM4410T-5	WDM3561TP	WDM3561TP-9
P32G4825	EM7062T	P44G4555	EM4406T-5	WDM3611T	EWDM3611T
P32G4826	EM7064T	P44G4827	EM7600T-I	WDM3615T	EWDM3615T
P32G4827	EM7562T-I	P44G4828	EM7596T-I	WDM3710T	EWDM3710T
P32G4828	EM7564T-I	P44G4852	EM7599T-I	WDM3714T	EWDM3714T
P32G4902	EM4110T	P44G5171	EM4407TR-4	ZDME2511T-CI	CUSTOM
P32G4903	EM4115T	P44G519	EM4410T-4	ZDME2524T-CI	CUSTOM
P32G505	EM7562T-I	P44G520	EM4406T-4	ZDME2528T-CI	CUSTOM
P32G51	EM2539T-CI	P44G6401	EM4407TR-4	ZDME2532T-CI	CUSTOM
P32G515	EM7562T-I	P44G6500	M4408TR-4	ZDME2536T-CI	CUSTOM
P32G516	EM7564T-I	P44G748	EM4410T-5	ZDME2540T-CI	CUSTOM
P32G52	EM2543T-CI	P44G749	EM4406T-5	ZDME2544T-CI	CUSTOM
P32G85	EM2542T-CI	RHM3158TA	CUSTOM	ZDME2548T-CI	CUSTOM
P36G3104	AEM4111-4	RHM3161TA	CUSTOM	ZDME2552T-CI	CUSTOM
P36G3106	AEM4307-4	RHM3162TA	ERHM3162TA		
P36G3107	AEM4311-4	RM3158TA	ERM3158TA		
P36G3326	EM4314T	RM3161TA	CUSTOM		
P36G3336	EM4314T-5	VCP2276T	VECP2276T		
P36G3337	EM4316T-5	VCP2332T	VECP2332T		
P36G3356	EM4316T	VCP2333T	VECP2333T		
P36G4500	EM4310T	VCP2334T	VECP2334T		
P36G4501	EM4313T	VCP3580-4	VECP3580-4		
P36G4550	EM4314T	VCP3581	VECP3581		
P36G4551	EM4316T	VCP3581-4	VECP3581-4		
P36G4554	EM4314T-5	VCP3581T	VECP3581T		
P36G4555	EM4316T-5	VCP3581T-4	VECP3581T-4		
P36G4650	EM4308T	VCP3582T	VECP3582T		
P36G4651	EM4312T	VCP3583T-4	VECP3583T-4		
P36G4827	EM7566T-I	VCP3584T	VECP3584T		
P36G4828	EM7568T-I	VCP3584T-4	VECP3584T-4		
P36G4853	EM7585T-I	VCP3586T-4	VECP3586T-4		
P36G51	EM2547T-CI	VCP3587T	VECP3587T		
P36G52	EM2551T-CI	VCP3587T-4	VECP3587T-4		
P36G563	EM7566T-I	VCP3660T-4	VECP3660T-4		
P36G564	EM7568T-I	VCP3661T	VECP3661T		
P40G292	EM7590T-I	VCP3661T-4	VECP3661T-4		
P40G295	EM2554T-4CI	VCP3663T-4	VECP3663T-4		
P40G297	EM2555T-CI	VCP3664T	VECP3664T		
P40G298	EM2559T-4CI	VCP3665T	VECP3665T		
P40G332	EM4400T	VCP3665T-4	VECP3665T-4		
P40G383	AEM4314-4	VCP3667T	VECP3667T		
P40G4500	EM4402T-4	VCP3764T	VECP3764T		

\* When selecting an EISA compliant replacement there may be slight differences in performance, efficiency, voltage range, dimensions and mounting. Customers should verify suitability of selected products for their specific application. For models that do not have a direct replacement contact your local Baldor-Reliance Sales Representative.

Gearmotors and Gear Products

PT Components

Motor Accessories

Grinders

Generators

Servo Motors and Controls

Mod Express

Baldor Education Workshops

Classifications and Sales Offices

EISA Compliance Table & Index

Gearmotors and Gear Products

PT Components

Motor Accessories

Grinders

Gearmotors

Servo Motors and Controls

Mod Express

Baldor Education Workshop

Classifications and Sales Offices

EISA Reference Table & Index

Catalog Number	Page Number	List Price	Mult Sym	Ship Wgt <sup>(1)</sup>	Alternate Cat Number <sup>(2)</sup>
09-1309	396	344	A8	22	
09-1310	396	520	A8	22	
09CB5001A01SP	406	71	P1	3	
09CB5001A15SP	406	56	P1	3	
10-1304	396	383	A8	32	
10-1305	396	399	A8	32	
1021W	461	1,133	G1	134	1021WD
1021WD	461	1,297	G1	146	1021W
1022W	461	1,149	G1	133	1022WD
1022WD	461	1,316	G1	145	1022W
105W	461	1,133	G1	133	129W
10CB5001A01SP	406	95	P1	6	
10CB5002A01SP	406	115	P1	4	
10EP1502A01SP	399	507	A8	39	
111	464	327	G1	25	333B
114	464	327	G1	24	332B
12-1105	396	491	A8	48	
1215W	462	2,584	G1	253	1216W
1216W	462	2,676	G1	254	1406W
1217W	462	2,737	G1	259	1022WD
1250	464	1,977	G1	164	
1251	464	1,920	G1	160	
1252	464	1,815	G1	156	
1253	464	1,764	G1	156	
129W	462	2,676	G1	256	1408W
12EP1501A03SP	399	876	A8	50	
133-6FBA	395	60	A8	1	
14-1303	396	870	A8	50	
14-1401	396	702	A8	60	
14-1704	396	637	A8	57	
1406W	462	3,316	G1	359	1407W
1407W	462	3,617	G1	372	1406W
1408W	462	3,316	G1	358	1409W
1409W	462	3,617	G1	374	1408W
1410W	462	3,316	G1	362	1411W
1411W	462	3,617	G1	381	1410W
1453	464	2,384	G1	223	
1454	464	2,520	G1	229	
1457	464	2,650	G1	228	
1458	464	2,256	G1	218	
14EP1601A01SP	399	617	A8	61	
14EP1705A01SP	399	1,067	A8	73	
16-1400	396	948	A8	78	
16-1704	396	870	A8	76	
16EP1501A01SP	399	1,371	A8	75	
16EP1601A01SP	399	1,302	A8	67	
18-1202	396	1,188	A8	128	
18-1203	396	1,130	A8	118	

Catalog Number	Page Number	List Price	Mult Sym	Ship Wgt <sup>(1)</sup>	Alternate Cat Number <sup>(2)</sup>
18-1302	396	1,138	A8	139	
18-1304	396	1,252	A8	163	
180-5002	398	788	P1	18	
18EP1500A01SP	399	1,668	A8	168	
18EP1506A01SP	399	1,726	A8	155	
18EP1600A01SP	399	1,890	A8	97	
2048-151D	464	1,384	G1	88	248-151TD
2048-153D	464	1,339	G1	76	248-153TD
210-5001	398	684	P1	12	
248-151AS	464	1,633	G1	105	
248-151TD	464	1,516	G1	95	2048-151D
248-153TD	464	1,471	G1	84	248-153TD
248-181TD	464	1,782	G1	138	
248-183TD	464	1,731	G1	128	
250-5001	398	1,457	P1	75	
280-5002	398	1,930	P1	57	
320-5002	398	2,690	P1	87	
330B	464	628	G1	56	412B
332B	464	643	G1	55	407B
333B	464	643	G1	56	410B
334B	464	628	G1	54	412B
33CB5000A01SP	406	32	P1	1	
33CB5001A01SP	406	32	P1	1	
34-171	396	52	A8	2	
34-3900T	396	52	A8	1	
34-3903A	396	63	A8	2	
34-3903T	396	66	A8	2	
340	468	401	G1	32	353T
342	468	401	G1	31	
34CB5001A01SP	406	31	P1	1	
35-1300	396	104	A8	6	
35-1325	396	134	A8	11	
35-1409	396	150	A8	11	
35-8762	396	61	A8	3	
35-8764	396	61	A8	3	
353T	468	440	G1	35	380T
359T	468	441	G1	36	353T
35CB5001A01SP	406	34	P1	1	
35EP1506A01SP	399	187	A8	8	
35EP1604A01SP	399	183	A8	8	
36-1037	396	119	A8	8	
36-1206A	396	153	A8	13	
36-1206B	396	162	A8	14	
36-1749	396	151	A8	12	
36-3301	396	86	A8	5	
36-3403	396	101	A8	5	
36-486	396	169	A8	8	
360-5001	398	4,127	P1	121	

<sup>(1)</sup> Shipping weight is approximate.

<sup>(2)</sup> Baldor has suggested alternate products, however there may be slight differences in performance, efficiency, voltage range, dimensions and mounting. Customers should verify suitability of selected products for their specific application.

Catalog Number	Page Number	List Price	Mult Sym	Ship Wgt <sup>(1)</sup>	Alternate Cat Number <sup>(2)</sup>
36CB5001A01SP	406	36	P1	1	
36CB5001A06SP	406	41	P1	2	
36CB5001A07SP	406	61	P1	2	
36EP1304A62SP	399	206	A8	15	
36EP1405A09SP	399	203	A8	8	
37-1302	396	255	A8	18	
37-1304	396	167	A8	12	
37-1402	396	239	A8	18	
37-1404	396	201	A8	14	
37CB5002A06SP	406	41	P1	3	
37CB5002A07SP	406	36	P1	4	
380T	468	490	G1	42	380WCT
380WCT	468	1,128	G1	47	380T
39-1403	396	359	A8	21	
39-3400	396	223	A8	19	
40-1400	396	364	A8	30	
40-1401	396	373	A8	40	
400-5001	398	4,998	P1	173	
407B	464	853	G1	60	410B
409B	464	819	G1	59	
410B	464	839	G1	61	
412B	464	819	G1	62	
413327-W	317	4,067	N5	8	
413336-1R	317	1,475	A8	7	
413336-2R	317	1,475	A8	9	
417077-102	224,318	1,434	A8	6	
417077-124	224,318	1,653	A8	18	
417077-126	225,318	4,139	A8	225	
417077-127	225,318	1,854	A8	75	
417077-129	225	488	E8	68	
417077-130	225	573	E8	64	
417077-131	225	488	E8	90	
417077-132	225	573	E8	90	
417077-133	222	1,400	E8	5	
417077-136	222	1,400	E8	4	
417077-141	225	1,108	E8	6	
417077-143	225	871	E8	5	
417077-144	225	871	E8	35	
417077-145	225	1,702	E8	44	
417077-153	222,223	1,551	E8	9	
417077-156	222,223	2,000	E8	9	
417077-165	222	1,400	E8	15	
417077-167	222	1,551	E8	20	
417077-168	222	2,000	E8	10	
417077-170	222	1,400	E8	10	
417077-171	222	1,400	E8	5	
417077-172	222	1,400	E8	5	
417077-173	222	1,400	E8	10	

Catalog Number	Page Number	List Price	Mult Sym	Ship Wgt <sup>(1)</sup>	Alternate Cat Number <sup>(2)</sup>
417077-176	222	1,400	E8	15	
417077-177	222	1,400	E8	35	
417077-178	222	1,400	E8	15	
417077-179	222	1,400	E8	35	
417077-180	222	1,400	E8	8	
417077-182	222	1,400	E8	10	
417077-183	222	1,400	E8	15	
417077-184	225	488	E8	10	
417077-185	225	488	E8	10	
417077-186	225	573	E8	10	
417077-187	225	573	E8	10	
417077-188	222	1,400	E8	10	
417077-189	222	1,400	E8	10	
417077-190	222	1,551	E8	10	
417077-191	222	1,551	E8	10	
417077-192	222	2,000	E8	10	
417077-193	222	2,000	E8	10	
417077-201	225	613	E8		
417077-202	225	613	E8		
417077-203	222	1,551	E8	6	
417077-204	222	1,400	E8	6	
417077-205	222	1,400	E8	9	
417077-206	222	2,000	E8	6	
417077-208TL	222	1,400	E8	6	
417077-209TL	222	1,400	E8	6	
417077-210TL	222	1,400	E8	6	
417077-211TL	222	1,400	E8	6	
417077-212TL	222	1,400	E8	6	
417077-213TL	222	1,400	E8	6	
417077-214TL	222	1,400	E8	6	
417077-215TL	222	1,400	E8	6	
417077-216TL	222	1,400	E8	6	
417077-218TL	222	1,400	E8	6	
417077-51	318	1,302	A8	44	
417077-57	224,318	795	A8	2	
417077-58	318	795	A8	4	
417077-59	224,318	795	A8	4	
417077-65	224,318	1,017	A8	7	
417077-74	318	1,854	A8	55	
417077-75	225,318	2,030	A8	85	
417708-120	223	2,000	E8	23	
417708-126	317	4,979	E8	4	
417708-130	222	1,400	E8	5	
417708-131	222	1,400	E8	10	
417708-133	317	3,919	E8	5	
417708-134	317	3,919	E8	5	
417708-135	317	3,919	E8	5	
417708-136	317	4,979	E8	6	

(1) Shipping weight is approximate.

(2) Baldor has suggested alternate products, however there may be slight differences in performance, efficiency, voltage range, dimensions and mounting. Customers should verify suitability of selected products for their specific application.

Gearmotors and Gear Products

PT Components

Motor Accessories

Grinders

Generators

Servo Motors and Controls

Mod Express

Baldor Education Workshops

Classifications and Sales Offices

EISA Reference Table & Index

Gearmotors and Gear Products

PT Components

Motor Accessories

Grinders

Gearmotors

Servo Motors and Controls

Mod Express

Baldor Education Workshop

Classifications and Sales Offices

EISA Reference Table & Index

Catalog Number	Page Number	List Price	Mult Sym	Ship Wgt <sup>(1)</sup>	Alternate Cat Number <sup>(2)</sup>
417708-137	317	4,979	E8	6	
417708-138	317	4,979	E8	4	
417708-140	222	1,400	E8	10	
417708-142	222	1,400	E8	15	
417708-151	317	3,919	E8	5	
417708-152	317	4,067	N5	13	
417708-153	317	3,072	E8	5	
417708-154	317	3,655	E8	5	
417708-155	317	1,475	A8	9	
417708-156	317	1,475	A8	8	
417708-157	317	953	A8	1	
417708-20	317	4,067	N5	11	
417708-201	223	160	E8	1	
417708-202	223	160	E8	1	
417708-203	223	160	E8	1	
417708-21	317	1,475	A8	7	
417708-22	317	1,475	A8	9	
417708-25	317	4,067	N5	11	
417708-26	317	1,475	A8	7	
417708-27	317	1,475	A8	9	
417708-30	317	3,072	E8	5	
417708-32	317	3,072	E8	5	
417708-33	317	3,072	E8	5	
417708-34	317	3,655	E8	5	
417708-36	317	3,655	E8	5	
417708-361	222	1,575	E8	5	
417708-37	317	3,655	E8	5	
417708-40	317	953	A8	1	
417708-41	317	953	A8	2	
417708-42	317	953	A8	1	
417708-85	223	1,551	E8	5	
417708-87	223	2,000	E8	6	
417708-90	222	1,551	E8	13	
417708-91	222	1,551	E8	15	
417709-17	317	3,708	A8	6	
417709-21	317	3,708	A8	19	
417709-58	317	3,708	A8	20	
417709-59	317	3,708	A8	23	
417709-60	317	3,708	A8	23	
417709-61	317	3,708	A8	29	
417709-65	317	3,708	A8	6	
417709-66	317	3,708	A8	9	
417709-67	317	3,708	A8	15	
417709-68	317	3,708	A8	18	
419914-10A	224	455	E8	39	
419914-10B	224	455	E8	27	
419914-10D	224	531	E8	48	
419914-10G	224	531	E8	55	

Catalog Number	Page Number	List Price	Mult Sym	Ship Wgt <sup>(1)</sup>	Alternate Cat Number <sup>(2)</sup>
419914-10J	224	682	E8	37	
419914-10K	224	976	E8	80	
419914-10L	224	531	E8	52	
419914-10M	224	531	E8	28	
419914-10N	224	682	E8	58	
419914-10P	224	682	E8	56	
419914-10R	224	976	E8	80	
419914-10S	224	976	E8	90	
419914-11C	224	1,262	E8	105	
419914-11D	224	1,262	E8	74	
419914-11E	224	2,404	E8	105	
419914-11F	224	2,404	E8	132	
419914-11G	224	2,404	E8	141	
419914-11H	224	4,536	E8	140	
419914-11J	224	4,536	E8	150	
419914-11K	224	4,536	E8	160	
419914-11L	224	4,536	E8	165	
419914-11M	224	1,262	E8	105	
419914-11N	224	1,262	E8	124	
419914-11P	224	1,077	E8	90	
419914-11R	224	1,077	E8	90	
419914-1A	318	476	A8	50	
419914-1B	318	553	A8	33	
419914-1C	318	1,068	A8	37	
419914-1D	318	1,403	A8	69	
419914-1E	318	1,892	A8	76	
419914-1P	318	476	A8	36	
419914-1R	318	553	A8	59	
419914-1S	318	553	A8	36	
419914-1T	318	1,068	A8	26	
419914-1U	318	1,068	A8	42	
419914-1W	318	1,403	A8	76	
419914-1X	318	1,892	A8	81	
419914-9A	224	455	E8	13	
419914-9B	224	455	E8	14	
419914-9C	224	455	E8	15	
419914-9D	224	455	E8	17	
419947-29	318	1,302	A8	52	
419947-30	318	1,302	A8	39	
419947-31	225	1,696	E8	50	
419947-32	318	1,592	A8	55	
419947-33	225	1,887	E8	60	
419947-34	318	1,854	A8	81	
42-1300	396	655	A8	36	
42-1400	396	637	A8	30	
42384-26BE	318	278	A8	17	
42384-26BF	318	278	A8	17	
42384-26BH	318	476	A8	29	

<sup>(1)</sup> Shipping weight is approximate.

<sup>(2)</sup> Baldor has suggested alternate products, however there may be slight differences in performance, efficiency, voltage range, dimensions and mounting. Customers should verify suitability of selected products for their specific application.

Catalog Number	Page Number	List Price	Mult Sym	Ship Wgt <sup>(1)</sup>	Alternate Cat Number <sup>(2)</sup>
42384-26D	318	278	A8	14	
44-1402	396	737	A8	40	
44-1403	396	737	A8	40	
44-1403A	396	737	A8	40	
500	463	1,286	G1	109	522
510	463	1,286	G1	109	532
522	463	1,446	G1	108	
532	463	1,446	G1	109	
600E	460	259	G1	30	602E
600RE	465	259	G1	29	602RE
602E	460	259	G1	27	600E
602E-MT	464	687	G1	24	
602RE	465	259	G1	27	600RE
612	460	293	G1	30	612R
612E	460	364	G1	44	623E
612R	465	293	G1	30	612
623E	460	411	G1	47	612E
623ED	460	555	G1	61	7307D
632E	460	411	G1	47	
662	460	293	G1	29	662R
662E	460	364	G1	43	673E
662R	465	293	G1	29	662
673E	460	411	G1	45	662E
712	460	434	G1	45	712R
712E	460	511	G1	69	7307
712R	465	434	G1	44	712
712RE	465	511	G1	68	712E
7306	460	559	G1	71	7306D
7306D	460	720	G1	84	7306
7307	460	559	G1	70	712E
7307D	460	720	G1	84	7307
7308	460	559	G1	71	7308DP
7309	460	559	G1	70	7309D
7309D	460	720	G1	87	
7312D	460	905	G1	90	
7351	460	559	G1	68	762E
762	460	434	G1	42	
762E	460	511	G1	66	762RE
762R	465	434	G1	43	762
762RE	465	511	G1	67	762E
8100W	461	900	G1	99	8100WD
8100WD	461	1,028	G1	110	8100W
8102W	461	872	G1	98	8102WD
8102WD	461	1,012	G1	111	8102W
8107W	461	900	G1	99	812RE
8107WD	461	1,028	G1	111	8107W
8123W	461	872	G1	99	8123WD
8123WD	461	1,012	G1	112	8123W

Catalog Number	Page Number	List Price	Mult Sym	Ship Wgt <sup>(1)</sup>	Alternate Cat Number <sup>(2)</sup>
8125W	461	872	G1	99	129W
812RE	465	851	G1	99	8107W
8250W	461	900	G1	97	862RE
8252W	461	872	G1	95	8123WD
862RE	465	851	G1	95	8250W
9C16	305	2,560	E8	16	
9C17	305	2,366	E8	12	
9C200	305	397	E8	2	
9C201	305	397	E8	2	
9C210	305	487	E8	2	
9C211	305	487	E8	2	
9C220	305	487	E8	2	
9C221	305	487	E8	2	
9C230	305	715	E8	3	
9C231	305	715	E8	3	
9C240	305	423	E8	2	
9C241	305	423	E8	2	
9C300	305	475	E8	2	
9C301	305	475	E8	2	
9C310	305	698	E8	2	
9C311	305	698	E8	2	
9C320	305	634	E8	2	
9C321	305	634	E8	2	
9C330	305	708	E8	2	
9C331	305	708	E8	3	
9C340	305	470	E8	2	
9C341	305	470	E8	2	
9C80	305	254	E8	1	
9C81	305	254	E8	1	
9C90	305	340	E8	2	
9C91	305	340	E8	2	
A103	467	37	A8	1	
A65	467	19	A8	1	
A82	467	31	A8	1	
AB248	466	26	A8	1	
ACB003A01	301	373	E8	1	
AEM2237-4	166	2,594	L1	224	
AEM2238-4	166	3,137	L1	243	
AEM2275-4	166	2,943	L1	235	
AEM2276-4	166	3,749	L1	254	
AEM2332-4	166	4,601	L1	391	
AEM2333-4	166	4,358	L1	358	
AEM2334-4	166	5,255	L1	416	
AEM3683-4	166	1,119	L1	78	
AEM3684-4	166	1,411	L1	88	AEM3687-4
AEM3686-4	166	1,201	L1	86	AEM3689-4
AEM3687-4	166	1,561	L1	94	
AEM3689-4	166	1,279	L1	94	

Gearmotors and Gear Products

PT Components

Motor Accessories

Grinders

Generators

Servo Motors and Controls

Mod Express

Baldor Education Workshops

Classifications and Sales Offices

EISA Reference Table & Index

(1) Shipping weight is approximate.

(2) Baldor has suggested alternate products, however there may be slight differences in performance, efficiency, voltage range, dimensions and mounting. Customers should verify suitability of selected products for their specific application.

Gearmotors and Gear Products  
 PT Components  
 Motor Accessories  
 Grinders  
 Gearmotors  
 Servo Motors and Controls  
 Mod Express  
 Baldor Education Workshop  
 Classifications and Sales Offices  
 EISA Reference Table & Index

Catalog Number	Page Number	List Price	Mult Sym	Ship Wgt <sup>(1)</sup>	Alternate Cat Number <sup>(2)</sup>
AEM3782-4	166	1,742	L1	152	
AEM3783-4	166	1,477	L1	155	
AEM3784-4	166	2,121	L1	171	
AEM3787-4	166	1,933	L1	166	
AEM4100-4	166	6,165	L1	502	
AEM4102-4	166	7,736	L1	516	
AEM4103-4	166	6,699	L1	554	
AEM4104-4	166	7,568	L1	567	
AEM4111-4	166	8,300	L1	734	
AEM4117-4	166	9,627	L1	765	
AEM4307-4	166	8,993	L1	709	
AEM4308-4	166	12,246	L1	1,200	
AEM4311-4	166	10,830	L1	799	
AEM4312-4	166	14,613	L1	1,180	
AEM4314-4	166	13,234	L1	1,375	
AEM4316-4	166	16,538	L1	1,327	
AEM4400-4	166	18,269	L1	1,573	
AEM4403-4	166	17,098	L1	1,494	
AEM4404-4	166	23,155	L1	1,576	
AFL3520A	156	351	K	25	
AFL3521A	156	414	K	38	AFL3525A
AFL3522A	156	574	L1	43	AFL3523A
AFL3523A	156	701	L1	50	
AFL3524A	156	731	L1	51	
AFL3525A	156	536	K	42	
AFM3528	156	356	K	21	AFM3529
AFM3529	156	387	K	23	
AFM3530	156	447	L1	31	
AFM3532	156	592	L1	44	
ANFL3501M	155	460	K	24	ANFL3504M
ANFL3504M	155	516	K	28	ANFL3507M
ANFL3507M	155	602	K	35	
ANFL3510M	155	743	K	41	
ANFL3514M	155	1,104	K	47	
AOM25904T	150	2,816	L1	213	
AOM3454	150	297	K	19	AOM3458
AOM3455	150	466	K	20	
AOM3458	150	331	K	19	
AOM3535	150	491	K	25	
AOM3538	150	389	K	21	AOM3542
AOM3539	150	529	K	25	
AOM3542	150	419	K	23	
AOM3543	150	544	K	32	
AOM3546T	150	436	L1	32	
AOM3554T	150	454	L1	31	
AOM3556T	150	552	L1	35	
AOM3558T	150	481	L1	35	
AOM3607T	150	631	L1	48	

Catalog Number	Page Number	List Price	Mult Sym	Ship Wgt <sup>(1)</sup>	Alternate Cat Number <sup>(2)</sup>
AOM3611T	150	564	L1	55	
AOM3614T	150	677	L1	56	
AOM3615T	150	652	L1	71	
AOM3617T	150	1,068	L1	56	
AOM3702T	150	1,621	L1	88	
AOM3704T	150	848	L1	90	
AOM3705T	150	1,772	L1	112	
AOM3708T	150	1,214	L1	111	
AOM3710T	150	836	L1	108	
AOM3714T	150	1,014	L1	125	
AP231001	307	256	DS	4	AP232001
AP232001	307	281	DS	5	AP233001
AP233001	307	302	DS	6	AP7401
AP233021	307	302	DS	6	AP7421
AP7401	307	422	DS	10	
AP7402	307	422	DS	10	
AP7421	307	422	DS	10	
AP7422	307	422	DS	11	
ARB-1	466	84	A8	1	
ARB-2	466	118	A8	2	
ASM6207	162	2,748	L1	102	ASM6210
ASM6210	162	2,937	L1	101	ASM6215
ASM6215	162	3,424	L1	124	
ASM7510	162	3,424	L1	134	ASM7515
ASM7515	162	3,693	L1	151	
B102	467	87	A8	8	
B103	467	87	A8	6	
B125	462,467	197	A8	22	
B126	462,467	199	A8	22	
B1317V81	393	103	A8	2	
B13H71	393	58	A8	3	
B13J92	393	100	A8	3	
B13V81	393	102	A8	2	
B13V91	393	103	A8	3	
B143T	402	119	A8	6	
B145T	402	119	A8	7	
B147	462,467	373	A8	42	
B148	462,467	373	A8	41	
B15H71	393	41	A8	4	
B182T	402	126	A8	10	
B184T	402	126	A8	10	
B18H71	393	70	A8	6	
B18J92	393	103	A8	6	
B18V81	393	105	A8	3	
B18V91	393	106	A8	3	
B19H71	352,401	71	A8	1	
B2022V81	393	107	A8	3	
B213T	402	146	A8	14	

<sup>(1)</sup> Shipping weight is approximate.

<sup>(2)</sup> Baldor has suggested alternate products, however there may be slight differences in performance, efficiency, voltage range, dimensions and mounting. Customers should verify suitability of selected products for their specific application.



Catalog Number	Page Number	List Price	Mult Sym	Ship Wgt <sup>(1)</sup>	Alternate Cat Number <sup>(2)</sup>
B215T	402	146	A8	15	
B21GH71	393	73	A8	5	
B21H71	393	76	A8	6	
B21J92	393	115	A8	7	
B21V81	393	115	A8	4	
B21V91	393	118	A8	6	
B24H71	393	91	A8	8	
B24J92	393	129	A8	9	
B24V81	393	129	A8	4	
B24V91	393	139	A8	6	
B2530V81	393	166	A8	4	
B254T	402	241	A8	21	
B256T	402	241	A8	21	
B26H71	393	102	A8	9	
B26J92	393	173	A8	10	
B26V81	393	173	A8	6	
B26V91	393	176	A8	9	
B284T	402	274	A8	24	
B286T	402	274	A8	26	
B30H71	393	116	A8	4	
B30V81	393	173	A8	8	
B30V91	393	176	A8	16	
B324T	402	423	A8	34	
B326T	402	423	A8	37	
B32H71	393	138	A8	13	
B32V81	393	204	A8	10	
B32V91	393	209	A8	13	
B3500V81	393	193	A8	5	
B364T	402	527	A8	48	
B365T	402	527	A8	50	
B38H71	393	165	A8	15	
B38V81	393	245	A8	38	
B38V91	393	257	A8	36	
B404T	402	784	A8	62	
B405T	402	784	A8	66	
B444T	402	958	A8	70	
B445T	402	958	A8	71	
B447T	402	1,129	A8	93	
B449T	402	1,129	A8	99	
B48T	402	93	A8	3	
B5000RLS	402	1,701	A8	149	
B56T	402	93	A8	5	
B66	467	35	A8	2	
B67	467	35	A8	2	
B73	467	49	A8	4	
B74	467	49	A8	3	
B80	467	58	A8	5	
B81	467	58	A8	4	

Catalog Number	Page Number	List Price	Mult Sym	Ship Wgt <sup>(1)</sup>	Alternate Cat Number <sup>(2)</sup>
B92	364,401	42	A8	1	
B93	364,401	54	A8	1	
BC110	326	533	E9	5	BC115
BC115	326	569	E9	6	BC130
BC130	326	724	E9	10	
BC138	326	211	E9	1	BC140
BC139	326	211	E9	1	BC140
BC140	326	358	E9	3	BC140-FBR
BC140-FBR	326	495	E9	3	
BC141	327	196	E9	1	BC142-6
BC141-SIH	327	463	E9	2	
BC142	327	196	E9	2	BC142-6
BC142-5	327	218	E9	1	
BC142-6	327	217	E9	1	BC155
BC142-6SIH	327	484	E9	1	
BC142-SIH	327	484	E9	2	
BC143	326,329	69	E9	2	
BC144	326	120	E9	1	
BC145	326,328	204	E9	1	
BC146	326	132	E9	1	
BC147	326	29	E9	1	
BC148	326	12	E9	1	
BC149	326	14	E9	1	
BC152	326	187	E9	1	
BC153	328	216	E9	1	
BC154	328	453	E9	5	BC160
BC154-P	328	453	E9	5	
BC154-R	328	598	E9	5	
BC154-SI	328	729	E9	5	
BC155	327	640	E9	5	
BC156	328	140	E9	1	
BC157	328	26	E9	1	
BC158	328	58	E9	1	
BC159	328	31	E9	1	
BC160	328	521	E9	3	
BC19H205-CO	333	5,764	E1	39	BC20H205-CL
BC19H210-CO	333	5,764	E1	36	BC20H210-CL
BC19H215-CO	333	6,193	E1	39	BC20H215-CL
BC19H220-CO	333	6,696	E1	50	BC20H220-CL
BC19H225-CO	333	7,052	E1	66	BC20H225-CL
BC19H240-CO	333	9,043	E1	76	BC20H240-CL
BC19H250-CO	333	9,724	E1	61	BC20H250-CL
BC19H260-CO	333	10,744	E1	85	BC20H260-CL
BC19H275-CO	333	11,650	E1	110	BC20H275-CL
BC19H410-CO	333	5,870	E1	38	BC20H410-CL
BC19H4100-CO	333	10,154	E1	63	BC20H4100-CL
BC19H4125-CO	333	11,172	E1	70	BC20H4125-CL
BC19H4150-CO	333	12,093	E1	75	BC20H4150-CL

(1) Shipping weight is approximate.

(2) Baldor has suggested alternate products, however there may be slight differences in performance, efficiency, voltage range, dimensions and mounting. Customers should verify suitability of selected products for their specific application.

Gearmotors and Gear Products

PT Components

Motor Accessories

Grinders

Generators

Servo Motors and Controls

Mod Express

Baldor Education Workshops

Classifications and Sales Offices

EISA Reference Table & Index

Catalog Number	Page Number	List Price	Mult Sym	Ship Wgt <sup>(1)</sup>	Alternate Cat Number <sup>(2)</sup>
BC19H420-CO	333	5,870	E1	40	BC20H420-CL
BC19H4200-CO	333	14,827	E1	261	BC20H4200-CL
BC19H430-CO	333	6,337	E1	41	BC20H430-CL
BC19H4300-CO	333	19,870	E1	246	BC20H4300-CL
BC19H440-CO	333	6,852	E1	97	BC20H440-CL
BC19H450-CO	333	7,212	E1	65	BC20H450-CL
BC19H475-CO	333	9,508	E1	77	BC20H475-CL
BC200	329	683	E9	4	BC201
BC201	329	811	E9	1	BC202
BC203	329	1,021	E9	10	
BC204	329	366	E9	3	BC200
BC204-BPSI	329	472	E9	3	
BC20H205-CL	335	6,716	E1	42	BC20H210-CL
BC20H210-CL	335	6,716	E1	42	BC20H215-CL
BC20H215-CL	335	6,716	E1	40	BC20H220-CL
BC20H220-CL	335	7,039	E1	103	BC20H225-CL
BC20H225-CL	335	7,927	E1	95	BC20H240-CL
BC20H240-CL	335	10,281	E1	65	BC20H250-CL
BC20H250-CL	335	11,124	E1	80	BC20H260-CL
BC20H260-CL	335	11,763	E1	108	BC20H275-CL
BC20H275-CL	335	14,430	E1	109	
BC20H410-CL	335	7,068	E1	39	BC20H420-CL
BC20H4100-CL	335	12,613	E1	111	BC20H4125-CL
BC20H4125-CL	335	14,065	E1	83	BC20H4150-CL
BC20H4150-CL	335	15,384	E1	141	BC20H4200-CL
BC20H420-CL	335	7,068	E1	39	BC20H430-CL
BC20H4200-CL	335	18,494	E1	285	BC20H4250-CL
BC20H4250-CL	335	23,162	E1	280	BC20H4300-CL
BC20H430-CL	335	7,295	E1	40	BC20H440-CL
BC20H4300-CL	335	25,373	E1	282	
BC20H440-CL	335	7,618	E1	69	BC20H450-CL
BC20H450-CL	335	8,448	E1	57	BC20H475-CL
BC20H475-CL	335	11,689	E1	67	BC20H4100-CL
BC212	329	209	E9	1	
BC215	329	97	E9	3	
BC216	329	74	E9	1	
BC218	326,329	34	E9	1	
BC24-LF	326	72	E9	1	
BC245	329	206	E9	1	
BC253	329	26	E9	1	
BC254	328,329	653	E9	5	
BC254-FBR	328,329	685	E9	5	
BC258	329	58	E9	1	
BC259	329	26	E9	5	
BC354	328	702	E9	5	
BCWD140	328	606	E9	6	BC160
BKP2400	401	52	A8	1	
BL3507	178	1,157	K	40	

Catalog Number	Page Number	List Price	Mult Sym	Ship Wgt <sup>(1)</sup>	Alternate Cat Number <sup>(2)</sup>
BL3510	178	1,225	K	48	
BL3516	178	770	K	28	BL3517
BL3517	178	812	K	29	BL3518
BL3518	178	881	K	33	BL3510
BLWL05-L	237	790	E8	7	
BLWL06-L	237	890	E8	8	
BLWL07-L	237	934	E8	13	
BLWL09-L	237	959	E8	5	
BLWL10-L	237	1,037	E8	35	
BLWL12-L	237	1,101	E8	46	
BLWL14-L	237	1,171	E8	55	
BLWM07-F	237	934	E8	20	
BLWM09-F	237	970	E8	27	
BLWM10-F	237	1,037	E8	35	
BLWM12-F	237	1,101	E8	46	
BLWM14-F	237	1,183	E8	55	
BLWM16-F	237	1,654	E8	70	
BLWM18-F	237	2,317	E8	87	
BM2334T	178	6,071	L1	327	BM2354T
BM2353T	178	4,417	L1	270	BM2333T
BM2354T	178	5,133	L1	322	BM2334T
BM3108	180	800	K	27	BM3538
BM3112	180	932	K	31	BM3542
BM3116	180	1,014	K	34	BM3546
BM3154T	180	1,182	L1	41	BM3554T
BM3157T	180	1,336	L1	47	BM3558T
BM3538	178	850	K	31	BM3542
BM3538-S	176	1,016	K	42	
BM3539	178	1,171	K	29	BM3543
BM3542	178	994	K	32	BM3546
BM3542-S	176	1,056	K	47	
BM3543	178	1,229	K	39	
BM3546	178	1,154	K	38	BM3554
BM3546-S	176	1,095	K	47	
BM3546T	178	1,154	L1	39	
BM3546T-S	176	1,095	L1	51	
BM3554	178	1,295	K	43	BM3558
BM3554T	178	1,295	L1	44	BM3558T
BM3554T-S	176	1,135	L1	55	
BM3556T	178	1,643	L1	48	
BM3558	178	1,327	K	50	
BM3558-D	173	1,223	K	34	
BM3558T	178	1,327	L1	52	
BM3558T-D	173	1,223	L1	57	
BM3558T-S	176	1,164	L1	53	
BM3568	178	739	K	27	BM3569
BM3569	178	782	K	28	BM3538
BM3603	178	1,599	L1	42	

<sup>(1)</sup> Shipping weight is approximate.

<sup>(2)</sup> Baldor has suggested alternate products, however there may be slight differences in performance, efficiency, voltage range, dimensions and mounting. Customers should verify suitability of selected products for their specific application.

Catalog Number	Page Number	List Price	Mult Sym	Ship Wgt <sup>(1)</sup>	Alternate Cat Number <sup>(2)</sup>
BM3606	178	1,710	L1	48	BM3609
BM3609	178	1,780	L1	52	
BM3611T	178	1,798	L1	66	
BM3611T-D	173	1,658	L1	78	
BM3611T-S	176	1,576	L1	79	
BM3614T	178	2,199	L1	75	
BM3615T	178	2,231	L1	88	BM3635T
BM3615T-D	173	2,059	L1	114	
BM3615T-S	176	1,955	L1	97	
BM3635T	178	1,896	L1	84	BM3615T
BM3703	178	2,689	L1	76	
BM3704T	178	3,258	L1	154	
BM3707	178	3,289	L1	91	
BM3710T	178	2,868	L1	162	BM3730T
BM3710T-D	173	2,646	L1	162	
BM3714T	178	3,649	L1	174	BM3734T
BM3730T	178	2,722	L1	157	BM3710T
BM3734T	178	3,021	L1	166	BM3714T
BM4103T	178	6,428	L1	380	
BM4104T	178	9,015	L1	533	
BMC2A06	238	626	E3	6	
BMC2A09	238	718	E3	6	
BMC6A01	238	399	E3	6	
BMC6A02	238	435	E3	6	
BMC6A04	238	479	E3	6	
BMC6A05	238	515	E3	6	
BNM3538-D	173	816	K	48	
BNM3542-D	173	1,110	K	46	
BNM3546-D	173	1,152	K	50	
BNM3546T-D	173	1,152	L1	57	
BNM3554-D	173	1,195	K	32	
BNM3554T-D	173	1,195	L1	64	
BQ1-015-CC	343,467	892	E7	4	
BQ1-015-CP	343,467	691	E7	4	
BQ2-015-CC	343,467	892	E7	4	
BQ2-015-CP	343,467	691	E7	4	
BQ7-016-CC	343	1,465	E7	38	BQ7-030-CC
BQ7-016-CP	343	1,300	E7	17	BQ7-030-CP
BQ7-030-CC	343	1,546	E7	47	BQ7-055-CC
BQ7-030-CP	343	1,380	E7	17	BQ7-055-CP
BQ7-055-CC	343	1,985	E7	53	BQ7-080-CC
BQ7-055-CP	343	1,820	E7	24	BQ7-080-CP
BQ7-080-CC	343	2,894	E7	54	BQ7-135-CC
BQ7-080-CP	343	2,727	E7	28	BQ7-135-CP
BQ7-135-CC	343	4,724	E7	156	BQ7-160-CC
BQ7-135-CP	343	4,364	E7	109	BQ7-160-CP
BQ7-160-CC	343	5,483	E7	81	BQ7-250-CC
BQ7-160-CP	343	5,120	E7	74	BQ7-250-CP

Catalog Number	Page Number	List Price	Mult Sym	Ship Wgt <sup>(1)</sup>	Alternate Cat Number <sup>(2)</sup>
BQ7-250-CC	343	6,573	E7	82	BQ7-420-CC
BQ7-250-CP	343	6,209	E7	84	BQ7-420-CP
BQ7-420-CC	343	10,676	E7	341	BQ7-600-CC
BQ7-420-CP	343	8,708	E7	232	BQ7-600-CP
BQ7-600-CC	343	19,684	E7	382	
BQ7-600-CP	343	17,717	E7	263	
BR0006	327	10	E9	1	
BR0010SP	327	10	E9	1	
BR0015SP	327	10	E9	1	
BR0025	327	10	E9	1	
BR0035	327	10	E9	1	
BR0050	327	10	E9	1	
BR0100	327	10	E9	1	
BR0101	327	10	E9	1	
BR0180	327	10	E9	1	
BR0250	327	10	E9	1	
BR0251	327	10	E9	1	
BR0350	327	10	E9	1	
BR0510	327	10	E9	1	
BR1000	327	10	E9	1	
BRMX01	392	58	A8	6	
BRMX02	392	102	A8	6	
BSM25C-1177MHC	238	326	E4	13	
BSM25C-2177MHC	238	340	E4	9	
BSM33C-2177MHQ	238	549	E4	33	
BSM33C-3177MHQ	238	605	E4	22	
BSM33C-4177MHQ	238	692	E4	25	
BSM33C-5177MHQ	238	756	E4	30	
BSM33C-6177MHQ	238	927	E4	31	
BTG1000	323	488	DS	7	
BTG100XPS	323	888	N5	2	
BTG50XPS	323	888	N5	2	
BTG60XPS-M	323	888	N5	2	
BTGWD100XPS	323	1,056	N5	2	
BTGWD50XPS	323	1,056	N5	2	
BU100H012	395	121	A8	1	
BU100H014	395	121	A8	1	
BU100H015	395	138	A8	1	
BU107H015	395	148	A8	1	
BU107H100	395	148	A8	1	
BU107H102	395	148	A8	1	
BU107H103	395	148	A8	1	
BU107H104	395	148	A8	1	
BU107H105	395	148	A8	1	
BU115H100	395	204	A8	1	
BU115H107	395	204	A8	1	
BU115H108	395	204	A8	1	
BU115H110	395	204	A8	1	

(1) Shipping weight is approximate.

(2) Baldor has suggested alternate products, however there may be slight differences in performance, efficiency, voltage range, dimensions and mounting. Customers should verify suitability of selected products for their specific application.

Gearmotors and Gear Products

PT Components

Motor Accessories

Grinders

Generators

Servo Motors and Controls

Mod Express

Baldor Education Workshops

Classifications and Sales Offices

EISA Reference Table & Index

Gearmotors and Gear Products  
 PT Components  
 Motor Accessories  
 Grinders  
 Gearmotors  
 Servo Motors and Controls  
 Mod Express  
 Baldor Education Workshop  
 Classifications and Sales Offices  
 EISA Reference Table & Index

Catalog Number	Page Number	List Price	Mult Sym	Ship Wgt <sup>(1)</sup>	Alternate Cat Number <sup>(2)</sup>
BU115H111	395	204	A8	1	
BU115H112	395	204	A8	1	
C121	463	127	A8	3	
C18G2700	130	5,233	S1	245	
C18G2701	130	5,984	S1	263	
C18G2702	130	5,544	S1	246	
C18G2703	130	6,932	S1	269	
C18G2704	130	6,932	S1	260	
C18G2730	130	5,001	S1	245	
C18G2731	130	5,001	S1	246	
C21G2701	130	8,497	S1	373	
C21G2702	130	9,230	S1	370	
C61	463	127	A8	5	
CB1814T	404	100	A8	2	
CB2118T	404	141	A8	2	
CB2521T	404	162	A8	6	
CB2825T	404	219	A8	7	
CB3228T	404	302	A8	9	
CB3632T	404	372	A8	12	
CB4036T	404	510	A8	20	
CBL015ZD-2	236	192	E8	1	CBL030ZD-2
CBL030ZD-2	236	223	E8	2	CBL046ZD-2
CBL046ZD-2	236	255	E8	2	CBL061ZD-2
CBL061ZD-2	236	282	E8	2	CBL091ZD-2
CBL091ZD-2	236	344	E8	3	CBL152ZD-2
CBL152ZD-2	236	463	E8	6	CBL229ZD-2
CBL229ZD-2	236	613	E8	8	
CBL305ZD-2	236	764	E8	12	CBL379ZD-2
CBL3518-D	172	1,071	K	52	
CBL3519-D	172	1,190	K	47	
CBL3597-D	172	1,131	K	53	
CBL379ZD-2	236	915	E8	14	CBL455ZD-2
CBL455ZD-2	236	993	E8	2	CBL606ZD-2
CBL606ZD-2	236	1,366	E8	16	CBL455ZD-2
CBLDS015KP	338	475	E8	2	
CBLH015KP	299	84	E8		
CBLH030KP	299	119	E8		
CBLH046KP	299	152	E8		
CBLH061KP	299	254	E8		
CBLH091KP	299	389	E8		
CBLH152KP	299	509	E8		
CBLH229KP	299	559	E8		
CBLH305KP	299	693	E8		
CBLHH015KP	289	44	EC	1	CBLHH030KP
CBLHH030KP	289	64	EC	1	CBLHH046KP
CBLHH046KP	289	83	EC	1	CBLHH061KP
CBLHH061KP	289	102	EC	2	CBLHH091KP
CBLHH091KP	289	120	EC	3	CBLHH152KP

Catalog Number	Page Number	List Price	Mult Sym	Ship Wgt <sup>(1)</sup>	Alternate Cat Number <sup>(2)</sup>
CBLHH152KP	289	171	EC	3	CBLHH229KP
CBLHH229KP	289	247	EC	4	CBLHH305KP
CBLHH305KP	289	323	EC	5	CBLHH457KP
CBLHH457KP	289	452	EC	6	CBLHH610KP
CBLHH610KP	289	578	EC	7	
CBM3546T	179	1,210	L1	42	
CBM3554T	179	1,357	L1	46	
CBM3558T	179	1,395	L1	53	
CBM3558T-D	173	1,305	L1	57	
CBM3611T	179	1,883	L1	75	
CBM3611T-D	173	1,720	L1	85	
CBM3615T	179	2,354	L1	90	
CBM3615T-D	173	2,039	L1	108	
CBM3710T	179	3,001	L1	163	
CBM3710T-D	173	2,766	L1	162	
CBM3714T	179	3,855	L1	166	
CBM3714T-D	173	3,486	L1	174	
CBM7006	181	2,915	K	96	
CBM7010	181	3,246	K	94	
CBM7014T	181	3,742	L1	105	
CBM7023T	181	4,529	L1	137	
CBM7027T	181	6,280	L1	215	
CC4000.4	407	438	E8		
CC4000.5	407	438	E8		
CC4000.6	407	438	E8		
CC4000.75	407	438	E8		
CC4001	407	509	E8		
CC4001.25	407	516	E8		
CC4001.5	407	522	E8		
CC4002	407	531	E8		
CC4002.5	407	538	E8		
CC4003	407	553	E8		
CC4003.5	407	569	E8		
CC4004	407	585	E8		
CC4005	407	615	E8		
CC4006	407	662	E8		
CC4007.5	407	697	E8		
CC4007.5NL	407	1,436	E8		
CC4010	407	790	E8		
CC4010NL	407	2,052	E8		
CC4012.5	407	837	E8		
CC4012.5NL	407	2,564	E8		
CC4015	407	889	E8		
CC4015.5	407	968	E8		
CC4015NL	407	2,780	E8		
CC4017.5NL	407	2,838	E8		
CC4020	407	1,045	E8		
CC4020NL	407	2,911	E8		

<sup>(1)</sup> Shipping weight is approximate.

<sup>(2)</sup> Baldor has suggested alternate products, however there may be slight differences in performance, efficiency, voltage range, dimensions and mounting. Customers should verify suitability of selected products for their specific application.

Catalog Number	Page Number	List Price	Mult Sym	Ship Wgt <sup>(1)</sup>	Alternate Cat Number <sup>(2)</sup>
CC4022.5	407	1,102	E8		
CC4022.5NL	407	2,985	E8		
CC4025	407	1,117	E8		
CC4025NL	407	3,240	E8		
CC4030	407	1,223	E8		
CC4030NL	407	3,593	E8		
CC4032.5	407	1,338	E8		
CC4032.5NL	407	3,874	E8		
CC4035	407	1,360	E8		
CC4035NL	407	4,201	E8		
CC4040	407	1,448	E8		
CC4040NL	407	4,791	E8		
CC4050	407	1,455	E8		
CC4050NL	407	4,819	E8		
CC4060	407	1,744	E8		
CC4060NL	407	5,782	E8		
CC4075NL	407	7,188	E8		
CC4080	407	2,131	E8		
CC4080NL	407	7,672	E8		
CD1803R	313	8,651	N2	218	
CD1805R	313	6,345	N2	175	
CD2003P-2	320	5,635	N2	170	
CD2003R-2	313	9,665	N2	180	
CD2005P-2	320	5,635	N2	170	
CD2005R-2	313	9,665	N2	180	
CD2007P-2	320	6,522	N2	233	
CD2007R-2	313	10,517	N2	215	
CD2010P-2	320	7,715	N2	267	
CD2015P-2	320	9,133	N2	409	
CD2015R-BV	315	14,980	N2	385	
CD2105R	313	12,693	N2	400	
CD3425	312	616	K	23	
CD3433	312	673	K	24	
CD3434	312	673	K	24	
CD3450	312	765	K	29	
CD3451	312	765	K	29	
CD3475	312	952	K	34	
CD3476	312	952	K	34	
CD5318	312	1,344	K	53	
CD5319	312	1,344	K	52	
CD5333	312	970	K	32	
CD5350	312	1,072	K	38	
CD5375	312	1,262	K	47	
CD6202	312	2,379	L1	96	
CD6203	312	2,701	L1	135	
CD6215	312	2,011	L1	82	
CD6218	312	1,796	L1	65	
CD6219	312	1,796	L1	64	

Catalog Number	Page Number	List Price	Mult Sym	Ship Wgt <sup>(1)</sup>	Alternate Cat Number <sup>(2)</sup>
CD7502	312	4,174	L1	105	
CD7503	312	4,439	L1	140	
CDD1803R	313	5,275	N2	160	
CDMG2310	321	8,899	N2	250	
CDMG2315	321	14,571	N2	459	
CDMG2320	321	16,266	N2	609	
CDMG2325	321	17,698	N2	878	
CDMG2333	321	22,203	N2	883	
CDP3306	307	612	K	24	
CDP3310	307	612	K	24	
CDP3316	307	646	K	27	
CDP3320	307	646	K	27	
CDP3326	307	723	K	31	
CDP3330	307	723	K	32	
CDP3335	307	646	K	26	
CDP3410-V12	311	658	K	30	
CDP3410-V24	311	624	K	29	
CDP3420-V12	311	723	K	30	
CDP3420-V24	311	689	K	30	
CDP3430-V12	311	749	K	33	
CDP3430-V24	311	714	K	34	
CDP3436	307	878	K	39	
CDP3440	307	878	K	38	
CDP3440-V12	311	1,075	K	42	
CDP3440-V24	311	745	K	35	
CDP3443	307	776	K	36	
CDP3445	307	1,067	K	44	
CDP3445-V12	311	1,556	K	45	
CDP3445-V24	311	1,549	K	44	
CDP3450	307	878	K	38	
CDP3455	307	1,067	K	44	
CDP3460	307	878	K	38	
CDP3575	307	1,967	L1	65	
CDP3580	307	1,711	L1	51	
CDP3585	307	2,347	L1	74	
CDP3590	307	1,967	L1	64	
CDP3603	307	2,890	L1	112	
CDP3604	307	2,874	L1	115	
CDP3605	307	4,906	L1	160	
CDPSWD3406	309	949	K	28	
CDPSWD3410	309	949	K	29	
CDPSWD3426	309	1,125	K	38	
CDPSWD3430	309	1,125	K	37	
CDPSWD3545	309	1,663	K	63	
CDPSWD3555	309	1,663	K	63	
CDPT3306	308	1,749	K	27	
CDPT3310	308	1,749	K	27	
CDPT3316	308	1,784	K	30	

(1) Shipping weight is approximate.

(2) Baldor has suggested alternate products, however there may be slight differences in performance, efficiency, voltage range, dimensions and mounting. Customers should verify suitability of selected products for their specific application.

Gearmotors and Gear Products

PT Components

Motor Accessories

Grinders

Generators

Servo Motors and Controls

Mod Express

Baldor Education Workshops

Classifications and Sales Offices

EISA Reference Table & Index

Gearmotors and Gear Products

PT Components

Motor Accessories

Grinders

Gearmotors

Servo Motors and Controls

Mod Express

Baldor Education Workshop

Classifications and Sales Offices

EISA Reference Table & Index

Catalog Number	Page Number	List Price	Mult Sym	Ship Wgt <sup>(1)</sup>	Alternate Cat Number <sup>(2)</sup>
CDPT3320	308	1,784	K	32	
CDPT3326	308	1,896	K	36	
CDPT3330	308	1,896	K	35	
CDPT3436	308	2,006	K	45	
CDPT3440	308	2,006	K	44	
CDPT3445	308	2,238	K	50	
CDPT3455	308	2,238	K	50	
CDPT3575	308	3,106	L1	69	
CDPT3585	308	3,485	L1	79	
CDPT3603	308	4,054	L1	122	
CDPT3605	308	6,065	L1	161	
CDPWD3306	309	793	K	24	
CDPWD3310	309	793	K	23	
CDPWD3316	309	837	K	27	
CDPWD3320	309	837	K	27	
CDPWD3326	309	941	K	32	
CDPWD3330	309	941	K	32	
CDPWD3436	309	1,136	K	38	
CDPWD3440	309	1,136	K	38	
CDPWD3445	309	1,386	K	44	
CDPWD3455	309	1,386	K	44	
CDPWD3575	309	2,652	L1	66	
CDPWD3585	309	3,165	L1	73	
CDPWD3603	309	4,051	L1	114	
CDPWD3605	309	6,863	L1	157	
CDPX3406	308	1,681	K	38	
CDPX3410	308	1,681	K	38	
CDPX3416	308	2,112	K	44	
CDPX3420	308	2,112	K	42	
CDPX3426	308	2,385	K	46	
CDPX3430	308	2,385	K	46	
CDPX3436	308	2,948	K	51	
CDPX3440	308	2,948	K	51	
CDPX3545	308	3,927	K	72	
CDPX3555	308	3,927	K	71	
CDPX3575	308	4,198	L1	81	
CDX1850	312	2,440	L1	103	
CDX1875	312	3,232	L1	102	
CDX2001	312	4,021	L1	105	
CDX7100	312	3,337	L1	103	
CDX7150	312	4,419	L1	118	
CDX7200	312	4,963	L1	137	
CEBM3558T-D	173	1,519	L1	66	
CEBM3611T-D	173	1,925	L1	83	
CEBM3615T-D	173	2,232	L1	126	
CEBM3710T-D	173	3,148	L1	169	
CEBM3714T-D	173	3,848	L1	203	
CEBM7142T	181	5,482	L1	215	

Catalog Number	Page Number	List Price	Mult Sym	Ship Wgt <sup>(1)</sup>	Alternate Cat Number <sup>(2)</sup>
CEBM7144T	181	6,603	L1	256	
CECP2294T	72	3,090	SD	245	
CECP2333T	72	2,948	SD	255	
CECP2333T-4	72	3,121	SD	330	
CECP2334T	72	3,125	SD	345	
CECP2334T-4	72	3,125	SD	345	
CECP3581T	72	969	SD	67	
CECP3584T	72	988	SD	69	
CECP3587T	72	1,028	SD	77	
CECP3660T	72	1,266	SD	132	
CECP3661T	72	1,327	SD	145	
CECP3663T	72	1,537	SD	142	
CECP3665T	72	1,348	SD	152	
CECP3769T	72	2,067	SD	189	
CECP3770T	72	1,763	SD	210	
CECP3771T	72	2,188	SD	203	
CECP3774T	72	2,075	SD	231	
CECP4103T	72	4,130	SD	399	
CECP4103T-4	72	4,130	SD	422	
CECP4104T	72	4,767	SD	475	
CECP4104T-4	72	4,767	SD	460	
CECP4106T	72	3,519	SD	276	
CECP4107T	72	4,292	SD	410	
CECP4108T	72	5,084	SD	469	
CECP4109T	72	6,834	SD	619	
CECP4110T	72	6,085	SD	668	
CECP4114T	72	7,124	SD	667	
CECP4115T	72	7,002	SD	725	
CECP82333T-4	75	3,055	SD	330	
CECP82333T-5	78,192	3,055	SD	331	
CECP82334T-4	75	3,232	SD	346	
CECP82334T-5	78,192	3,232	SD	344	
CECP82394T-4	75	3,129	SD	353	
CECP83580T-4	75	958	SD	63	
CECP83581T-4	75	1,049	SD	69	
CECP83583T-4	75	1,026	SD	72	
CECP83584T-4	75	1,068	SD	75	
CECP83586T-4	75	1,126	SD	80	
CECP83587T-4	75	1,112	SD	78	
CECP83587T-5	78,192	1,112	SD	70	
CECP83660T-4	75	1,368	SD	134	
CECP83661T-4	75	1,449	SD	143	
CECP83661T-5	78,192	1,449	SD	147	
CECP83663T-4	75	1,663	SD	142	
CECP83665T-4	75	1,457	SD	150	
CECP83665T-5	78,192	1,457	SD	147	
CECP83769T-4	75	2,156	SD	189	
CECP83770T-4	75	1,846	SD	206	

<sup>(1)</sup> Shipping weight is approximate.

<sup>(2)</sup> Baldor has suggested alternate products, however there may be slight differences in performance, efficiency, voltage range, dimensions and mounting. Customers should verify suitability of selected products for their specific application.



Catalog Number	Page Number	List Price	Mult Sym	Ship Wgt <sup>(1)</sup>	Alternate Cat Number <sup>(2)</sup>
CECP83770T-5	78,192	1,846	SD	208	
CECP83771T-4	75	2,288	SD	225	
CECP83774T-4	75	2,231	SD	231	
CECP83774T-5	78,192	2,231	SD	231	
CECP84103T-4	75	4,536	SD	422	
CECP84103T-5	78,192	4,536	SD	420	
CECP84104T-4	75	5,195	SD	460	
CECP84104T-5	78,192	5,195	SD	460	
CECP84106T-4	75	3,549	SD	351	
CECP84107T-4	75	4,841	SD	464	
CECP84108T-4	75	5,639	SD	459	
CECP84109T-4	75	7,499	SD	587	
CECP84110T-4	75	6,734	SD	615	
CECP84110T-5	75	6,734	SD	600	
CECP84114T-4	75	7,787	SD	633	
CECP84115T-4	75	7,751	SD	700	
CECP84115T-5	78,192	7,751	SD	725	
CECP84310T-4	75	11,159	SD	925	
CECP84313T-4	75	12,255	SD	995	
CECP84314T-4	75	10,082	SD	906	
CECP84316T-4	75	11,568	SD	979	
CEM2333T	10,54	2,950	LS	255	CM2333T
CEM2333T-5	19,188	2,950	LS	238	
CEM2334T	10,54	3,006	L1	286	CM2334T
CEM2334T-5	19,189	3,006	L1	286	
CEM2394T	10,54	2,750	L1	285	
CEM2513T	15,63	2,115	L1	220	
CEM2514T	15,63	2,400	L1	210	
CEM2515T	15,63	2,575	L1	240	
CEM2516T	15,63	2,826	L1	245	
CEM2531T	15,63	3,299	L1	335	
CEM2535T	15,63	3,559	L1	375	
CEM2539T	15,63	4,689	L1	533	
CEM2543T	15,64	5,103	L1	475	
CEM2547T	15,64	6,347	L1	468	
CEM2551T	15,64	7,605	L1	820	
CEM2555T	15,64	8,802	L1	920	
CEM3116T	15,63	588	L1	33	
CEM3154T	15,63	605	L1	41	
CEM3157T	15,63	646	L1	47	
CEM3158T	15,63	673	L1	53	
CEM3211T	15,63	763	L1	72	
CEM3212T	15,63	760	L1	80	
CEM3218T	15,63	801	L1	88	
CEM3219T	15,63	1,217	L1	89	
CEM3311T	15,63	1,205	L1	120	
CEM3312T	15,63	1,406	L1	132	
CEM3313T	15,63	1,430	L1	130	

Catalog Number	Page Number	List Price	Mult Sym	Ship Wgt <sup>(1)</sup>	Alternate Cat Number <sup>(2)</sup>
CEM3314T	15,63	1,939	L1	150	
CEM3545	10,52	588	K	34	
CEM3546	10,52	592	K	40	
CEM3546T	10,52	654	LS	39	
CEM3546T-5	19,188	654	LS	39	
CEM3550	10,52	622	K	42	
CEM3550T	10,52	672	L1	43	
CEM3554	10,52	654	K	51	
CEM3554T	10,52	679	LS	49	
CEM3554T-5	19,188	679	LS	49	
CEM3555	10,53	681	K	50	
CEM3555T	10,53	732	L1	51	
CEM3556T	10,52	815	L1	50	
CEM3558	10,53	691	K	47	
CEM3558T	10,53	703	LS	51	
CEM3558T-5	19,188	703	LS	51	
CEM3559T	10,53	817	L1	49	
CEM3559T-5	19,188	817	L1	49	
CEM3581T	10,52	857	L1	56	
CEM3581T-5	19,188	857	L1	56	
CEM3583T	10,52	946	L1	57	
CEM3583T-5	19,188	946	L1	57	
CEM3584T	10,52	886	L1	60	
CEM3584T-5	19,188	886	L1	61	
CEM3586T	10,53	948	L1	64	
CEM3586T-5	19,188	948	L1	63	
CEM3587T	10,53	927	L1	64	
CEM3587T-5	19,188	927	L1	65	
CEM3607T	10,52	945	L1	70	
CEM3610T	10,53	841	L1	70	
CEM3610T-5	19,188	841	L1	68	
CEM3611T	10,53	805	LS	74	
CEM3611T-5	19,188	805	LS	71	
CEM3613T	10,53	926	L1	81	
CEM3613T-5	19,188	926	L1	80	
CEM3614T	10,53	975	L1	79	
CEM3615T	10,53	875	LS	96	
CEM3615T-5	19,188	875	LS	97	
CEM3616T	10,53	1,200	L1	100	
CEM3660T	10,53	1,054	L1	95	CM3660T
CEM3660T-5	19,188	1,054	L1	95	
CEM3661T	10,53	1,081	L1	98	CECP3661T
CEM3661T-5	19,188	1,081	L1	97	
CEM3663T	10,53	1,278	L1	107	CM3663T
CEM3663T-5	19,188	1,278	L1	107	
CEM3664T	10,53	1,177	L1	112	
CEM3665T	10,53	1,082	L1	116	CECP3665T
CEM3665T-5	19,188	1,082	L1	115	

<sup>(1)</sup> Shipping weight is approximate.

<sup>(2)</sup> Baldor has suggested alternate products, however there may be slight differences in performance, efficiency, voltage range, dimensions and mounting. Customers should verify suitability of selected products for their specific application.

Gearmotors and Gear Products

PT Components

Motor Accessories

Grinders

Generators

Servo Motors and Controls

Mod Express

Baldor Education Workshops

Classifications and Sales Offices

EISA Reference Table & Index

Gearmotors and Gear Products

PT Components

Motor Accessories

Grinders

Gearmotors

Servo Motors and Controls

Mod Express

Baldor Education Workshop

Classifications and Sales Offices

EISA Reference Table & Index

Catalog Number	Page Number	List Price	Mult Sym	Ship Wgt <sup>(1)</sup>	Alternate Cat Number <sup>(2)</sup>
CEM3704T	10,53	1,308	L1	129	
CEM3708T	10,53	1,453	L1	126	
CEM3709T	10,53	1,414	L1	130	
CEM3710T	10,53	1,290	LS	140	
CEM3710T-5	19,188	1,290	LS	140	
CEM3711T	10,53	1,428	L1	158	
CEM3711T-5	19,188	1,428	L1	158	
CEM3713T	10,54	1,965	L1	175	
CEM3713T-5	19,188	1,965	L1	175	
CEM3714T	10,53	1,439	LS	162	
CEM3714T-5	19,188	1,439	LS	162	
CEM3764T	10,53	1,530	L1	180	
CEM3768T	10,53	1,748	L1	198	
CEM3769T	10,53	1,551	L1	180	CM3769T
CEM3769T-5	19,188	1,551	L1	191	
CEM3770T	10,53	1,501	L1	175	CECP3770T
CEM3770T-5	19,188	1,501	L1	178	
CEM3771T	10,53	1,788	L1	197	CM3771T
CEM3771T-5	19,188	1,788	L1	181	
CEM3774T	10,53	1,663	L1	231	CECP3774T
CEM3774T-5	19,188	1,663	L1	201	
CEM4103T	11,54	3,975	L1	393	CECP4103T
CEM4103T-5	19,189	3,975	L1	390	
CEM4104T	11,54	4,580	L1	437	CECP4104T
CEM4104T-5	19,189	4,550	L1	620	
CEM4106T	10,54	2,967	L1	258	CM4106T
CEM4107T	11,54	3,916	L1	383	CM4107T
CEM4108T	11,54	4,369	L1	395	
CEM4109T	54	5,963	L1	528	
CEM4110T	11,54	5,836	L1	614	CECP4110T
CEM4114T	54	6,449	L1	587	
CEM4115T	11,54	6,303	L1	645	CECP4115T
CEM4310T	11,54	8,816	L1	820	
CEM4313T	11,54	10,116	L1	890	
CEM4314T	11,54	8,788	L1	816	CM4314T
CEM4316T	11,54	10,127	L1	911	CM4316T
CEM4400T	11,54	13,375	L1	1,191	CM4400T
CEM7014T	30,105	1,183	L1	52	
CEM7018T	30,106	1,171	L1	48	
CEM7034T	30,106	1,281	L1	59	
CEM7034T-I	113	1,378	SD	59	
CEM7037T	30,106	1,357	L1	65	
CEM7037T-I	113	1,461	SD	65	
CEM7042T	30,106	1,645	L1	85	
CEM7042T-I	113	1,645	SD	85	
CEM7044T	30,106	1,989	L1	96	
CEM7044T-I	113	1,989	SD	96	
CEM7045T	30,106	2,545	L1	170	

Catalog Number	Page Number	List Price	Mult Sym	Ship Wgt <sup>(1)</sup>	Alternate Cat Number <sup>(2)</sup>
CEM7047T	30,106	2,333	L1	175	
CEM7047T-I	113	2,333	SD	175	
CEM7053T	30,106	4,014	L1	305	
CEM7054T	30,106	4,694	L1	380	
CEM7054T-I	113	4,694	SD	380	
CEM7056T	30,106	5,564	L1	405	
CEM7056T-I	113	5,564	SD	405	
CEM7058T	30,106	6,813	L1	555	
CEM7058T-I	113	6,813	SD	555	
CEM7059T	30,106	4,812	L1	406	
CEM7060T	30,106	7,907	L1	574	
CEM7060T-I	113	7,907	SD	574	
CEM7062T	30,106	10,547	L1	775	
CEM7062T-I	113	10,547	SD	775	
CEM7063T	30,106	5,000	L1	535	
CEM7064T	30,106	11,993	L1	795	
CEM7064T-I	113	11,993	SD	795	
CEM7071T	30,106	1,168	L1	92	
CEM7072T	30,106	1,910	L1	97	
CEM7073T	30,106	2,243	L1	120	
CEM7075T	30,106	1,448	L1	75	
CEM7170T	30,106	2,838	L1	252	
CEM7170T-I	113	2,838	SD	252	
CEM7174T	30,106	2,778	L1	235	
CENCP83580T-4	75	916	SD	56	
CENCP83581T-4	75	996	SD	64	
CESSWDM23933T	34,94	5,506	WD	246	
CESSWDM23934T	34,94	6,386	WD	300	
CESSWDM23994T	34,94	5,595	WD	240	
CESSWDM3546T	34,94	1,257	WD	42	
CESSWDM3546T-5	34,95,194	1,257	WD	42	
CESSWDM3550	94	1,251	WD	60	
CESSWDM3550T	34,94	1,261	WD	50	
CESSWDM3554T	34,94	1,281	WD	45	
CESSWDM3554T-5	34,95,194	1,281	WD	45	
CESSWDM3555T	34,94	1,529	WD	55	
CESSWDM3558T	34,94	1,539	WD	62	
CESSWDM3558T-5	34,95,194	1,539	WD	62	
CESSWDM3559T	34,94	1,842	WD	44	
CESSWDM3610T	34,94	1,967	WD	82	
CESSWDM3611T	34,94	1,799	WD	94	CSSEWDM3611T
CESSWDM3613T	34,94	2,093	WD	107	CSSEWDM3613T
CESSWDM3615T	34,94	2,025	WD	115	CSSEWDM3615T
CESSWDM3709T	34,94	2,456	WD	164	CSSEWDM3709T
CESSWDM3710T	34,94	2,533	WD	157	CSSEWDM3710T
CESSWDM3711T	34,94	2,741	WD	185	CSSEWDM3711T
CESSWDM3714T	34,94	2,794	WD	190	CSSEWDM3714T
CESSWDM41906T	34,94	6,422	WD	292	

<sup>(1)</sup> Shipping weight is approximate.

<sup>(2)</sup> Baldor has suggested alternate products, however there may be slight differences in performance, efficiency, voltage range, dimensions and mounting. Customers should verify suitability of selected products for their specific application.

Catalog Number	Page Number	List Price	Mult Sym	Ship Wgt <sup>(1)</sup>	Alternate Cat Number <sup>(2)</sup>
CESWDM3546	33,93	1,014	WD	40	CSSEWDM3546
CESWDM3554T	33,93	1,062	WD	47	CSSEWDM3554T
CESWDM3555T	33,93	1,258	WD	49	
CESWDM3558T	33,93	1,304	WD	55	CSSEWDM3558T
CESWDM3559T	33,93	1,548	WD	57	
CESWDM3611T	33,93	1,595	WD	80	CESSWDM3611T
CESWDM3613T	33,93	1,963	WD	83	
CESWDM3615T	33,93	1,856	WD	100	CESSWDM3615T
CESWDM3709T	33,93	2,478	WD	129	
CESWDM3710T	33,93	2,283	WD	146	CESSWDM3710T
CESWDM3711T	33,93	2,747	WD	154	
CESWDM3714T	33,93	2,598	WD	168	CESSWDM3714T
CEUHM3546T	170	600	L1	39	
CEUHM3546T-G	169	705	L1	39	
CEUHM3554T	170	634	L1	47	
CEUHM3554T-G	169	738	L1	47	
CEUHM3558T	170	698	L1	52	
CEUHM3558T-G	169	802	L1	52	
CEUHM3611T	170	816	L1	47	
CEUHM3611T-G	169	931	L1	64	
CEUHM3615T	170	896	L1	82	
CEUHM3615T-G	169	1,011	L1	82	
CEUHM3710T-G	169	1,408	L1	140	
CEWAM22976T	86	3,647	SD	255	
CEWAM23932T	86	4,100	SD	276	
CEWAM3558T	86	1,184	SD	58	
CEWAM3559T	86	1,278	SD	71	
CEWAM3611T	86	1,390	SD	72	
CEWAM3613T	86	1,412	SD	81	
CEWAM3615T	86	1,574	SD	107	
CEWAM3704T	86	1,829	SD	132	
CEWAM3708T	86	2,291	SD	149	
CEWAM3709T	86	2,104	SD	121	
CEWAM3710T	86	2,079	SD	142	
CEWAM3711T	86	2,123	SD	156	
CEWAM3714T	86	2,293	SD	165	
CEWDBM3538	91,181	1,785	WD	42	
CEWDBM3542	91,181	1,929	WD	43	
CEWDBM3546	91,181	1,980	WD	52	
CEWDBM3546T	91,181	2,000	WD	54	
CEWDBM3554T	91,181	2,155	WD	58	
CEWDBM3558T	91,181	2,193	WD	62	
CEWDBM3611T	91,181	2,653	WD	89	
CEWDBM3615T	91,181	3,205	WD	111	
CEWDM22976T	32,89	3,404	WD	247	
CEWDM23932T	32,89	3,870	WD	280	
CEWDM23933T	32,89	4,560	WD	226	CEWDM23934T
CEWDM23933T-5	90,193	4,560	WD	247	

Catalog Number	Page Number	List Price	Mult Sym	Ship Wgt <sup>(1)</sup>	Alternate Cat Number <sup>(2)</sup>
CEWDM23934T	32,89	5,289	WD	280	
CEWDM23934T-5	90,193	5,289	WD	280	
CEWDM23994T	32,89	4,633	WD	158	
CEWDM3545	32,88	916	WD	34	CEWDM3550
CEWDM3546	32,88	920	WD	44	CEWDM3546
CEWDM3546-5	90,193	920	WD	46	
CEWDM3546T	32,88	939	WD	40	CEWDM3554T
CEWDM3550	32,89	941	WD	44	CEWDM3555
CEWDM3554T	32,89	983	WD	48	CEWDM3554T
CEWDM3554T-5	90,193	983	WD	48	
CEWDM3555	32,89	1,018	WD	51	
CEWDM3555T	32,89	1,038	WD	51	CSSEWDM3555T
CEWDM3556	32,88	1,033	WD	41	
CEWDM3558T	32,89	1,083	WD	47	CEWDM3558T
CEWDM3558T-5	90,193	1,083	WD	50	
CEWDM3559T	32,89	1,279	WD	59	CSSEWDM3559T
CEWDM3610T	32,89	1,206	WD	67	
CEWDM3611T	32,89	1,423	WD	75	CEWDM3611T
CEWDM3611T-5	90,193	1,423	WD	75	
CEWDM3613T	32,89	1,693	WD	84	CESSWDM3613T
CEWDM3614T	32,89	1,270	WD	79	
CEWDM3615T	32,89	1,612	WD	96	CEWDM3615T
CEWDM3615T-5	90,193	1,612	WD	99	
CEWDM3616T	32,89	2,012	WD	99	
CEWDM3704T	32,89	1,674	WD	130	
CEWDM3708T	32,89	1,983	WD	142	
CEWDM3709T	32,89	2,385	WD	139	CESSWDM3709T
CEWDM3710T	32,89	2,040	WD	129	CEWDM3710T
CEWDM3710T-5	90,193	2,040	WD	195	
CEWDM3711T	32,89	2,625	WD	151	CESSWDM3711T
CEWDM3713T	32,89	3,298	WD	174	
CEWDM3714T	32,89	2,319	WD	158	CEWDM3714T
CEWDM3714T-5	90,193	2,319	WD	162	
CEWDM41906T	32,89	5,318	WD	242	
CFC1614A	135	207	C1	20	
CFC2614A	135	228	C1	25	
CFC2642A	135	235	C1	24	
CFDL3501M	151	498	K	24	
CFDL3504M	151	571	K	29	
CFDL3507M	151	665	K	37	
CFDL3510M	151	753	K	38	
CFDL3514M	151	848	K	48	
CFDL3516TM	151	1,078	K	53	
CFM3036A	149	499	K	25	
CFM3046A	149	541	K	34	
CFM3136A	149	516	K	30	
CFM3146A	149	558	K	33	
CFM3156A	149	636	K	37	

(1) Shipping weight is approximate.

(2) Baldor has suggested alternate products, however there may be slight differences in performance, efficiency, voltage range, dimensions and mounting. Customers should verify suitability of selected products for their specific application.

Gearmotors and Gear Products

PT Components

Motor Accessories

Grinders

Generators

Servo Motors and Controls

Mod Express

Baldor Education Workshops

Classifications and Sales Offices

EISA Reference Table & Index

Gearmotors and Gear Products

PT Components

Motor Accessories

Grinders

Gearmotors

Servo Motors and Controls

Mod Express

Baldor Education Workshop

Classifications and Sales Offices

EISA Reference Table & Index

Catalog Number	Page Number	List Price	Mult Sym	Ship Wgt <sup>(1)</sup>	Alternate Cat Number <sup>(2)</sup>
CFM3166A	149	692	K	47	
CHC144A	134	242	C1	18	CHC3413A
CHC164A	134	274	C1	19	CHC3414A
CHC244A	134	255	C1	19	CHC3416A
CHC264A	134	286	C1	26	CHC3417A
CHC3413A	149	351	K	22	CHC144A
CHC3414A	149	415	K	25	CHC3524A
CHC3416A	149	382	K	25	CHC244A
CHC3417A	149	478	K	27	CHC3525A
CHC344A	134	296	C1	24	RL1307A
CHC345A	134	300	C1	25	CHC3524A
CHC3524A	149	429	K	28	CHC345A
CHC3525A	149	549	K	40	CHC3528A
CHC3526A	149	679	K	47	
CHC3528A	149	650	K	50	CHC465A
CHC364A	134	332	C1	30	
CHC365A	134	336	C1	31	CHC3525A
CHC445A	134	322	C1	28	RL1307A
CHC465A	134	387	C1	48	CHC3528A
CHC545A	134	379	C1	39	RL1310A
CHC565A	134	448	C1	48	
CHC645A	134	432	C1	49	RL1319A
CHL3523A	149	429	K	28	
CHM144A	134	235	C1	18	RM3003
CHM164A	134	285	C1	25	
CHM244A	134	247	C1	20	RM3007
CHM264A	134	278	C1	19	
CHM344A	134	291	C1	21	RM3010
CHM345A	134	293	C1	23	RM3108
CHM364A	134	324	C1	23	
CHM365A	134	326	C1	25	
CHM465A	134	374	C1	33	
CHM545A	134	368	C1	33	RM1316
CHM565A	134	434	C1	39	
CJL1205A	117	271	K	24	CJL225A
CJL1301A	117	407	K	23	CJL3501A
CJL1303A	117	282	K	27	JL1303A
CJL1304A	117	460	K	26	CJL3504A
CJL1306A	117	359	K	29	JL1306A
CJL1307A	117	528	K	34	CJL3507A
CJL1309A	117	368	K	33	JL1309A
CJL1313A	117	511	K	37	JL1313A
CJL1317A	117	684	K	44	JL1317A
CJL3501A	116	373	K	23	CJL3504A
CJL3504A	116	439	K	28	CJL3507A
CJL3507A	116	535	K	35	
CJM225	119	229	K	17	
CJM3104	119	337	K	22	CJM3108

Catalog Number	Page Number	List Price	Mult Sym	Ship Wgt <sup>(1)</sup>	Alternate Cat Number <sup>(2)</sup>
CJM3107	119	309	K	23	CJM3111
CJM3108	119	377	K	24	CJM3538
CJM3111	119	353	K	24	CJM3115
CJM3112	119	404	K	27	CJM3542
CJM3115	119	395	K	28	CJM3120
CJM3120	119	481	K	31	CJM625
CJM3155	119	572	K	36	CJM725
CJM3158	119	677	K	42	CJM825
CJM345	119	311	K	21	
CJM3538	118	418	K	23	CJM3542
CJM3542	118	443	K	26	
CJM425	119	274	K	22	
CL1301	45	325	K	23	CL3501
CL1303	45	288	K	22	CL3503
CL1304	45	370	K	25	CL3504
CL1307	45	424	K	34	CL1310
CL1310	45	487	K	35	CL3510
CL1408TM	45,161	892	L1	78	CL1410TM
CL1410TM	45,161	1,075	L1	88	CL3612TM
CL1430TM	45	1,075	L1	84	
CL3403	42	320	K	21	
CL3405	42	319	K	21	
CL3501	42	334	K	23	CL3504
CL3503	42	335	K	24	CL3506
CL3504	42	390	K	28	CL3507
CL3506	42	373	K	29	CL3509
CL3507	42	466	K	35	CL3510
CL3509	42	431	K	37	CL3513
CL3510	42	526	K	40	CL3514
CL3513	42	558	K	44	
CL3514	42	624	K	49	CWDL3514
CL3515	42	719	K	52	
CL3515T	42	725	L1	53	
CL3516TM	42,161	927	L1	52	VFDL3516TM
CL3608TM	42,161	1,306	L1	91	
CL3612TM	42,161	1,264	L1	101	VFDL3612TM
CL3619TM	42,161	1,206	L1	81	CL3612TM
CL3711T	42	2,124	L1	167	
CL3712T	42	2,149	L1	163	
CL5001-I	114	803	K	46	
CL5001A	105	729	K	30	CL5004A
CL5001A-50	214	803	K	35	CL5004A-50
CL5003A	105	640	K	31	CL5009A
CL5004-I	114	804	K	52	
CL5004A	105	730	K	37	CL5007A
CL5004A-50	214	804	K	43	
CL5007-I	114	858	K	61	
CL5007A	105	814	K	48	CL5023A

<sup>(1)</sup> Shipping weight is approximate.

<sup>(2)</sup> Baldor has suggested alternate products, however there may be slight differences in performance, efficiency, voltage range, dimensions and mounting. Customers should verify suitability of selected products for their specific application.

Catalog Number	Page Number	List Price	Mult Sym	Ship Wgt <sup>(1)</sup>	Alternate Cat Number <sup>(2)</sup>
CL5007A-50	214	935	K	52	
CL5009A	105	726	K	49	
CL5013	105	1,847	L1	81	
CL5018	105	2,958	L1	154	
CL5020	105	3,766	L1	170	
CL5023-50	214	989	K	54	
CL5023-I	114	925	K	62	
CL5023A	105	925	K	48	
CL5027T	105	1,906	L1	96	
CL5027T-50	214	2,191	L1	113	
CL5028T	105	1,928	L1	96	
CL5030T	105	1,138	L1	54	
CL5031T	105	1,301	L1	61	
CM2333T	54	2,192	LS	253	
CM2333T-5	188	2,192	LS	236	
CM2334T	54	2,552	L1	245	CWDM23934T
CM2334T-5	189	2,552	L1	257	
CM2513T	63	1,668	L1	172	CM2333T
CM2514T	63	2,041	L1	158	
CM2515T	63	2,059	L1	234	
CM2516T	63	2,410	L1	186	
CM2531T	63	2,657	L1	226	
CM2535T	63	3,021	L1	249	
CM2539T	63	3,912	L1	378	CM4110T
CM2543T	64	4,470	L1	382	CM4115T
CM2547T	64	5,455	L1	474	CM4314T
CM2551T	64	6,510	L1	608	CM4316T
CM2555T	64	7,245	L1	538	
CM3104	63	287	K	21	CM3534
CM3107	63	299	K	20	CM3537
CM3108	63	325	K	23	CM3538
CM3112	63	366	K	27	CM3542
CM3116T	63	421	L1	31	
CM3154T	63	478	L1	35	CM3554T
CM3155	63	531	K	32	
CM3157T	63	488	L1	39	CM3558T
CM3158T	63	559	L1	45	CM3559T
CM3211T	63	576	L1	67	CM3611T
CM3212T	63	608	L1	65	CM3613T
CM3218T	63	602	L1	71	CM3615T
CM3219T	63	857	L1	68	CM3616T
CM3311T	63	886	L1	102	CM3710T
CM3312T	63	1,079	L1	108	
CM3313T	63	1,054	L1	129	CM3714T
CM3314T	63	1,512	L1	129	
CM3534	52	333	LS	22	CM3538
CM3534-5	188	333	LS	21	
CM3537	52	345	K	21	CM3541

Catalog Number	Page Number	List Price	Mult Sym	Ship Wgt <sup>(1)</sup>	Alternate Cat Number <sup>(2)</sup>
CM3538	52	368	LS	23	CM3542
CM3538-5	188	368	LS	24	
CM3538-8	183	417	K	23	
CM3539	52	539	K	24	CM3543
CM3541	52	377	K	22	CM3545
CM3542	52	391	LS	26	
CM3542-5	188	391	LS	27	
CM3543	52	550	K	33	VM3556
CM3545	52	439	K	24	CM3550
CM3546	52	419	K	31	CM3554
CM3546-5	188	419	K	28	
CM3546-8	183	421	K	29	
CM3546T	52	456	LS	35	
CM3546T-5	188	456	LS	34	
CM3550	52	477	K	30	CWDM3550
CM3550T	52	512	L1	39	
CM3554	52	456	K	35	
CM3554-5	188	456	K	32	
CM3554T	52	466	LS	38	CM3558T
CM3554T-5	188	466	LS	40	
CM3555	53	533	K	33	
CM3555/35	53	598	K	41	
CM3555T	53	586	L1	43	CM3559T
CM3556	52	559	K	38	
CM3556T	52	611	L1	40	
CM3557	52	637	K	41	
CM3558	53	489	K	42	
CM3558-5	188	489	K	42	
CM3558T	53	488	LS	42	
CM3558T-5	188	488	LS	45	
CM3559	53	616	K	44	
CM3559T	53	666	L1	49	
CM3559T-5	188	666	L1	52	
CM3607T	52	729	L1	71	
CM3610T	53	737	L1	59	CM3660T
CM3610T-5	188	737	L1	57	
CM3611T	53	616	LS	66	CM3661T
CM3611T-5	188	616	LS	69	
CM3613T	53	838	L1	72	CM3663T
CM3613T-5	188	838	L1	74	
CM3614T	53	779	L1	74	
CM3615T	53	699	LS	81	CM3665T
CM3615T-5	188	699	LS	79	
CM3616T	53	1,006	L1	88	
CM3660T	53	944	L1	84	
CM3661T	53	949	L1	98	
CM3663T	53	1,147	L1	94	CEM3663T
CM3665T	53	961	L1	112	CEM3665T

(1) Shipping weight is approximate.

(2) Baldor has suggested alternate products, however there may be slight differences in performance, efficiency, voltage range, dimensions and mounting. Customers should verify suitability of selected products for their specific application.

Gearmotors and Gear Products

PT Components

Motor Accessories

Grinders

Generators

Servo Motors and Controls

Mod Express

Baldor Education Workshops

Classifications and Sales Offices

EISA Reference Table & Index

Gearmotors and Gear Products

PT Components

Motor Accessories

Grinders

Gearmotors

Servo Motors and Controls

Mod Express

Baldor Education Workshop

Classifications and Sales Offices

EISA Reference Table & Index

Catalog Number	Page Number	List Price	Mult Sym	Ship Wgt <sup>(1)</sup>	Alternate Cat Number <sup>(2)</sup>
CM3704T	53	1,024	L1	111	
CM3708T	53	1,207	L1	124	
CM3709T	53	1,267	L1	94	
CM3710T	53	908	LS	118	CM3770T
CM3710T-5	188	908	LS	126	
CM3711T	53	1,317	L1	127	CM3771T
CM3711T-5	188	1,317	L1	126	
CM3713T	54	1,639	L1	167	CM3773T
CM3713T-5	188	1,639	L1	158	
CM3714T	53	1,078	LS	141	CM3774T
CM3714T-5	188	1,078	LS	139	
CM3769T	53	1,379	L1	167	CEM3769T
CM3770T	53	1,340	L1	164	CEM3770T
CM3771T	53	1,621	L1	167	CM3773T
CM3773T	54	1,927	L1	214	
CM3774T	53	1,428	L1	170	CEM3774T
CM4103T	54	3,233	L1	354	CEM4103T
CM4104T	54	3,690	L1	375	CEM4104T
CM4104T-5	189	3,690	L1	384	
CM4106T	54	2,591	L1	270	CEM4106T
CM4107T	54	3,354	L1	361	CEM4107T
CM4108T	54	3,459	L1	383	
CM4109T	54	4,885	L1	486	
CM4110T	54	4,735	L1	594	CEM4110T
CM4114T	54	4,952	L1	595	
CM4115T	54	4,873	L1	579	CEM4115T
CM4310T	54	7,216	L1	769	CM4313T
CM4313T	54	8,580	L1	762	
CM4314T	54	7,121	L1	778	CM4314T
CM4316T	54	8,580	L1	820	CEM4316T
CM4400T	54	10,662	L1	1,121	CEM4400T
CM7005A	105	764	K	28	
CM7006-50	214	876	K	37	CM7010-50
CM7006-I	113	827	SD	54	
CM7006A	105	827	K	31	CM7010A
CM7009A	105	789	K	30	
CM7010-50	214	896	K	43	CM7014-50
CM7010-I	113	843	SD	49	
CM7010A	105	843	K	35	
CM7013	105	825	K	31	
CM7013-50	214	906	K	36	
CM7014	105	899	K	41	CM7034
CM7014-50	214	958	K	45	
CM7014-I	113	899	SD	51	
CM7014T	105	899	L1	44	
CM7018T	106	935	L1	47	
CM7018T-50	214	1,030	L1	46	
CM7034	106	958	K	44	CM7037

Catalog Number	Page Number	List Price	Mult Sym	Ship Wgt <sup>(1)</sup>	Alternate Cat Number <sup>(2)</sup>
CM7034T	106	958	L1	49	
CM7034T-50	214	1,056	L1	48	
CM7034T-I	113	1,056	SD	58	
CM7037	106	1,037	K	52	
CM7037T	106	1,037	L1	53	
CM7037T-50	214	1,140	L1	57	
CM7037T-I	113	1,140	SD	60	
CM7042T	106	1,336	L1	92	
CM7042T-I	113	1,336	SD	111	
CM7044T	106	1,607	L1	111	
CM7044T-I	113	1,607	SD	122	
CM7045T	106	2,055	L1	173	
CM7047T	106	2,088	L1	183	
CM7047T-I	113	1,862	SD	177	
CM7053T	106	2,363	L1	345	
CM7054T	106	3,843	L1	386	
CM7054T-I	113	3,843	SD	333	
CM7056T	106	4,464	L1	362	
CM7056T-I	113	4,464	SD	356	
CM7058T	106	5,555	L1	532	
CM7058T-I	113	5,555	SD	554	
CM7059T	106	2,978	L1	372	
CM7060T	106	6,279	L1	533	
CM7060T-I	113	6,279	SD	584	
CM7062T	106	8,488	L1	735	
CM7062T-I	113	8,488	SD	808	
CM7063T	106	3,888	L1	524	
CM7064T	106	9,600	L1	763	
CM7064T-I	113	9,600	SD	779	
CM7071T	106	1,032	L1	52	
CM7071T-50	214	1,066	L1	52	
CM7072T	106	1,555	L1	101	
CM7073T	106	1,753	L1	111	
CM7075T	106	1,162	L1	69	
CM7170T	106	2,202	L1	232	
CM7170T-I	113	2,202	SD	232	
CM7174T	106	2,202	L1	215	
CM8001	84	561	SD	29	
CM8002	84	701	SD	32	
CM8003	84	762	SD	38	
CM8004	84	835	SD	41	
CM8537	84	538	SD	26	
CM8539	84	731	SD	30	
CM8543	84	861	SD	38	
CM8556	84	919	SD	39	
CNL20082	168	223	DS	10	CNL20172
CNL20134	168	243	DS	11	
CNL20172	168	251	DS	13	

<sup>(1)</sup> Shipping weight is approximate.

<sup>(2)</sup> Baldor has suggested alternate products, however there may be slight differences in performance, efficiency, voltage range, dimensions and mounting. Customers should verify suitability of selected products for their specific application.



Catalog Number	Page Number	List Price	Mult Sym	Ship Wgt <sup>(1)</sup>	Alternate Cat Number <sup>(2)</sup>
CNM20132	168	271	DS	8	CNM20252
CNM20134	168	294	DS	10	
CNM20252	168	302	DS	12	
CNM3454/35	52	462	K	30	
CNM3457	52	339	K	21	
CNM3531	52	587	K	31	
CNM3538/35	52	472	K	30	
CNM3539	52	576	K	39	
CNM3542	52	424	K	28	
CNM3546	52	484	K	39	
CP2276T	67	1,793	SD	301	ECP2276T
CP2276T-4	67	1,793	SD	296	CP2276T
CP2332T	67	2,534	SD	319	ECP2332T
CP2332T-4	67	2,534	SD	308	ECP2332T-4
CP2333T	68	2,087	SD	299	ECP2333T
CP2333T-4	68	2,087	SD	297	ECP2333T-4
CP2334T	68	2,324	SD	316	ECP2334T
CP2334T-4	68	2,324	SD	310	ECP2334T-4
CP2394T-4	68	2,245	SD	291	ECP2394T-4
CP3580T-4	66	708	SD	50	CP3583T-4
CP3581T	66	714	SD	55	CP3581T-4
CP3581T-4	66	714	SD	56	ECP3581T-4
CP3582T	66	849	SD	64	ECP3582T
CP3582T-4	66	849	SD	65	ECP3582T-4
CP3583T-4	66	803	SD	59	ECP3583T-4
CP3584T	66	729	SD	60	ECP3584T
CP3584T-4	66	729	SD	62	ECP3584T-4
CP3586T-4	66	855	SD	64	ECP3586T-4
CP3587T	66	749	SD	64	ECP3587T
CP3587T-4	66	749	SD	64	ECP3587T-4
CP3660T-4	67	1,027	SD	109	ECP3660T-4
CP3661T	67	1,053	SD	120	ECP3661T
CP3661T-4	67	1,053	SD	121	ECP3661T-4
CP3663T-4	67	1,295	SD	127	ECP3663T-4
CP3664T	66	1,045	SD	132	ECP3664T
CP3664T-4	66	1,045	SD	124	ECP3664T-4
CP3665T	67	1,087	SD	130	ECP3665T
CP3665T-4	67	1,087	SD	127	ECP3665T-4
CP3667T	66	977	SD	127	ECP3667T
CP3667T-4	66	977	SD	125	M3667T
CP3764T	67	1,418	SD	152	ECP3764T
CP3764T-4	67	1,418	SD	154	ECP3764T-4
CP3768T	67	1,650	SD	164	ECP3768T
CP3768T-4	67	1,650	SD	163	ECP3768T-4
CP3769T-4	67	1,630	SD	163	ECP3769T-4
CP3770T	67	1,449	SD	158	ECP3770T
CP3770T-4	67	1,449	SD	168	CP3770T
CP3771T-4	67	1,744	SD	168	ECP3771T-4

Catalog Number	Page Number	List Price	Mult Sym	Ship Wgt <sup>(1)</sup>	Alternate Cat Number <sup>(2)</sup>
CP3773T-4	68	2,197	SD	226	
CP3774T	67	1,571	SD	178	ECP3774T
CP3774T-4	67	1,571	SD	179	ECP3774T-4
CP4100T	68	3,563	SD	383	ECP4100T
CP4100T-4	68	3,563	SD	386	ECP4100T-4
CP4102T	68	4,153	SD	425	ECP4102T
CP4102T-4	68	4,153	SD	414	ECP4102T-4
CP4103T	68	2,820	SD	411	ECP4103T
CP4103T-4	68	2,820	SD	414	ECP4103T-4
CP4104T	68	3,383	SD	427	ECP4104T
CP4104T-4	68	3,383	SD	417	ECP4104T-4
CP4106T-4	68	2,276	SD	298	ECP4106T-4
CP4107T-4	68	2,850	SD	426	ECP4107T-4
CP4108T-4	68	3,117	SD	411	ECP4108T-4
CP4109T-4	69	4,511	SD	587	ECP4109T-4
CP4110T	69	4,501	SD	628	ECP4110T
CP4110T-4	69	4,501	SD	617	ECP4110T-4
CP4111T	68	5,066	SD	575	ECP4111T
CP4111T-4	68	5,066	SD	587	ECP4111T-4
CP4115T	69	5,313	SD	634	ECP4115T
CP4115T-4	69	5,313	SD	628	ECP4115T-4
CP4117T	68	5,374	SD	608	ECP4117T
CP4117T-4	68	5,374	SD	565	ECP4117T-4
CP4308T	69	7,439	SD	817	ECP4308T
CP4312T	69	7,923	SD	820	ECP4312T
CP4314T	69	7,191	SD	785	ECP4314T
CP4314T-4	69	7,191	SD	793	ECP4314T-4
CP4316T	69	8,643	SD	874	ECP4316T
CP4316T-4	69	8,643	SD	815	ECP4316T-4
CP4400T-4	69	9,904	SD	1,258	ECP4400T-4
CP4403T	69	11,065	SD	1,173	ECP4403T
CP4404T	69	13,175	SD	1,218	ECP4404T
CP4406T-4	69	16,002	SD	1,730	
CP44204TR-4	70	20,780	SD	1,961	
CP44254TR-4	70	25,365	SD	2,363	
CP44404T-4	70	19,475	SD	1,841	
CR4400TR-4	83	9,973	SD	1,259	
CR4404TR-4	83	13,175	SD	1,160	
CR4406TR-4	83	14,864	SD	1,811	
CR4407TR-4	83	17,886	SD	2,215	
CR4408TR-4	83	23,006	SD	2,526	
CR4409TR-4	83	13,609	SD	1,783	
CR4410TR-4	83	12,691	SD	1,722	
CR4411TR-4	83	15,375	SD	1,780	
CR44156TR-4	83	17,334	SD	2,078	
CR44206TR-4	83	22,702	SD	2,471	
CR44256TR-4	83	32,567	SD	2,719	
CR44304TR-4	83	31,130	SD	2,345	

(1) Shipping weight is approximate.

(2) Baldor has suggested alternate products, however there may be slight differences in performance, efficiency, voltage range, dimensions and mounting. Customers should verify suitability of selected products for their specific application.

Gearmotors and Gear Products

PT Components

Motor Accessories

Grinders

Generators

Servo Motors and Controls

Mod Express

Baldor Education Workshops

Classifications and Sales Offices

EISA Reference Table & Index

Gearmotors and Gear Products

PT Components

Motor Accessories

Grinders

Gearmotors

Servo Motors and Controls

Mod Express

Baldor Education Workshop

Classifications and Sales Offices

EISA Reference Table & Index

Catalog Number	Page Number	List Price	Mult Sym	Ship Wgt <sup>(1)</sup>	Alternate Cat Number <sup>(2)</sup>
CR44306TR-4	83	42,361	SD	3,669	
CR44354TR-4	83	36,952	SD	2,925	
CSPM3546T	168	2,909	L1	37	
CSPM3558T	168	3,293	L1	55	
CSPM3611T	168	3,930	L1	71	
CSSEWDFM3546T	35,97	1,340	WD	56	
CSSEWDFM3554T	35,97	1,352	WD	62	
CSSEWDFM3558T	35,97	1,637	WD	61	
CSSEWDFM3611T	35,97	1,977	WD	101	
CSSEWDFM3615T	35,97	2,163	WD	123	
CSSEWDM3537	35,97	1,209	WD	50	CSSEWDM3541
CSSEWDM3538	35,97	1,228	WD	47	CSSEWDM3542
CSSEWDM3541	35,97	1,251	WD	51	CSSEWDM3545
CSSEWDM3542	35,97	1,270	WD	55	CSSEWDM3546
CSSEWDM3543	35,97	1,524	WD	60	
CSSEWDM3545	35,97	1,315	WD	58	CSSEWDM3550
CSSEWDM3546	35,97	1,328	WD	54	CSSEWDM3554
CSSEWDM3546T	35,97	1,340	WD	56	CSSEWDM3554T
CSSEWDM3550	35,97	1,333	WD	66	
CSSEWDM3550T	35,97	1,344	WD	67	CSSEWDM3555T
CSSEWDM3554	35,97	1,339	WD	65	
CSSEWDM3554T	35,97	1,352	WD	68	CSSEWDM3558T
CSSEWDM3555	35,97	1,602	WD	65	
CSSEWDM3555T	35,97	1,613	WD	71	CSSEWDM3559T
CSSEWDM3556	35,97	1,577	WD	67	
CSSEWDM3558	35,97	1,626	WD	73	
CSSEWDM3558T	35,97	1,637	WD	74	
CSSEWDM3559T	35,97	1,963	WD	82	
CSSEWDM3611T	35,97	1,977	WD	101	CESSWDM3611T
CSSEWDM3613T	35,97	2,146	WD	107	CESSWDM3613T
CSSEWDM3615T	35,97	2,163	WD	123	CESSWDM3615T
CSSEWDM3709T	35,97	2,701	WD	178	CESSWDM3709T
CSSEWDM3710T	35,97	2,758	WD	182	CESSWDM3710T
CSSEWDM3711T	35,97	3,068	WD	154	CESSWDM3711T
CSSEWDM3714T	35,97	3,253	WD	187	CESSWDM3714T
CSSEWDM90114C-57	98,209	1,555	WD	24	
CSSEWDM90154C-57	98,209	1,883	WD	25	
CSSSWDM3537	96	1,148	WD	48	
CSSSWDM3538	96	1,203	WD	45	
CSSSWDM3541	96	1,189	WD	49	
CSSSWDM3542	96	1,245	WD	53	
CSSSWDM3543	96	1,448	WD	58	
CSSSWDM3545	96	1,251	WD	56	
CSSSWDM3546	96	1,248	WD	52	
CSSSWDM3546T	96	1,260	WD	54	
CSSSWDM3550	96	1,254	WD	64	
CSSSWDM3550T	96	1,265	WD	65	
CSSSWDM3554	96	1,271	WD	63	

Catalog Number	Page Number	List Price	Mult Sym	Ship Wgt <sup>(1)</sup>	Alternate Cat Number <sup>(2)</sup>
CSSSWDM3554T	96	1,284	WD	66	
CSSSWDM3555	96	1,523	WD	62	
CSSSWDM3555T	96	1,534	WD	68	
CSSSWDM3556	96	1,498	WD	65	
CSSSWDM3558	96	1,530	WD	70	
CSSSWDM3558T	96	1,543	WD	71	
CSSSWDM3559T	96	1,845	WD	79	
CSSSWDM3611T	96	1,878	WD	98	
CSSSWDM3613T	96	2,096	WD	104	
CSSSWDM3615T	96	2,055	WD	120	
CSSSWDM3709T	96	2,564	WD	175	
CSSSWDM3710T	96	2,619	WD	179	
CSSSWDM3711T	96	2,911	WD	151	
CSSSWDM3714T	96	3,089	WD	184	
CSSWDM3537	94	1,097	WD	34	CSSWDM3541
CSSWDM3538	94	1,178	WD	37	CSSWDM3542
CSSWDM3538-5	95,194	1,178	WD	37	
CSSWDM3541	94	1,134	WD	40	CSSWDM3545
CSSWDM3542	94	1,219	WD	44	CSSWDM3546
CSSWDM3542-5	95,194	1,219	WD	44	
CSSWDM3545	94	1,244	WD	39	CSSWDM3550
CSSWDM3546	94	1,252	WD	45	CSSWDM3554
CSSWDM3546-5	95,194	1,252	WD	45	
CSSWDM3554	94	1,280	WD	47	
CSSWDM3554T	94	1,280	WD	50	CSSWDM3558T
CSSWDM3555T	94	1,540	WD	59	CSSEWDM3555T
CSSWDM3558	94	1,556	WD	55	
CSSWDM3558T	94	1,556	WD	56	CSSEWDM3558T
CSSWDM3559T	94	1,852	WD	61	CSSEWDM3559T
CSSWDM3610T	94	1,925	WD	89	
CSSWDM3611T	94	1,778	WD	89	CSSEWDM3611T
CSSWDM3613T	94	2,026	WD	95	CSSEWDM3613T
CSSWDM3615T	94	2,042	WD	109	CSSEWDM3615T
CSSWDM3709T	94	2,360	WD	146	CSSEWDM3709T
CSSWDM3710T	94	2,410	WD	152	CSSEWDM3710T
CSSWDM3711T	94	2,679	WD	174	CSSEWDM3711T
CSSWDM3714T	94	2,722	WD	187	CSSEWDM3714T
CSWDM3537	93	644	WD	23	
CSWDM3538	93	630	WD	30	CSSWDM3538
CSWDM3539	93	881	WD	39	
CSWDM3541	93	676	WD	34	
CSWDM3542	93	727	WD	31	CSSWDM3542
CSWDM3543	93	1,064	WD	42	
CSWDM3545	93	799	WD	28	
CSWDM3546	93	753	WD	39	CSSWDM3546
CSWDM3546T	93	753	WD	41	CSWDM3554T
CSWDM3550	93	835	WD	46	
CSWDM3554	93	788	WD	52	CSSWDM3554

<sup>(1)</sup> Shipping weight is approximate.

<sup>(2)</sup> Baldor has suggested alternate products, however there may be slight differences in performance, efficiency, voltage range, dimensions and mounting. Customers should verify suitability of selected products for their specific application.

Catalog Number	Page Number	List Price	Mult Sym	Ship Wgt <sup>(1)</sup>	Alternate Cat Number <sup>(2)</sup>
CSWDM3554T	93	788	WD	42	CESWDM3554T
CSWDM3556	93	1,028	WD	37	
CSWDM3557	93	1,088	WD	41	
CSWDM3558	93	970	WD	46	
CSWDM3558T	93	970	WD	48	CESWDM3558T
CSWDM3611T	93	1,185	WD	72	CESWDM3611T
CSWDM3615T	93	1,380	WD	93	CESWDM3615T
CSWDM3710T	93	1,697	WD	138	CESWDM3710T
CSWDM3714T	93	1,932	WD	160	CESWDM3714T
CTM1757T	140	1,868	L1	143	
CTM1758T	140	2,089	L1	152	
CTM1759T	140	2,621	L1	206	
CTM1760T	140	3,046	L1	204	
CTM1761T	140	3,863	L1	315	
CTM1762T	140	4,667	L1	365	
CTM1763T	140	5,430	L1	435	
CTM1764T	140	6,233	L1	455	
CTM1765T	140	8,183	L1	630	
CTM1766T	140	9,654	L1	608	
CTM1767T	140	13,982	L1	865	
CTM1768T	140	17,519	L1	899	
CTM1769T	140	21,599	L1	1,260	
CTM2276T	139	1,785	L1	240	
CTM2332T	139	1,987	L1	269	
CTM2333T	139	2,179	L1	236	
CTM2334T	139	2,430	L1	276	
CTM3665T	139	965	L1	104	
CTM3768T	139	1,463	L1	206	
CTM3770T	139	1,285	L1	164	
CTM3774T	139	1,641	L1	170	
CTM4100T	139	3,169	L1	375	
CTM4102T	139	3,829	L1	416	
CTM4103T	139	2,946	L1	322	
CTM4104T	139	3,536	L1	321	
CTM4110T	139	4,703	L1	536	
CTM4111T	139	4,619	L1	451	
CTM4115T	139	5,552	L1	540	
CTM4117T	139	5,603	L1	460	
CTM4308T	139	6,207	L1	810	
CTM4312T	139	7,877	L1	782	
CTM4314T	139	7,512	L1	810	
CTM4316T	139	9,031	L1	841	
CTM4403T	139	9,944	L1	1,038	
CUHL3518	170	432	K	37	
CUHL3519	170	526	K	35	
CUHM3538	170	370	K	29	
CUHM3542	170	391	K	34	
CUHM3546	170	419	K	36	

Catalog Number	Page Number	List Price	Mult Sym	Ship Wgt <sup>(1)</sup>	Alternate Cat Number <sup>(2)</sup>
CUHM3546T	170	419	L1	37	
CUHM3554	170	456	K	40	
CUHM3554T	170	456	L1	41	
CUHM3558	170	489	K	43	
CUHM3558T	170	489	L1	44	
CUHM3611T	170	618	L1	66	
CUHM3615T	170	702	L1	95	
CWAM22976T	86	3,024	SD	213	
CWAM23932T	86	3,342	SD	250	
CWAM3538	86	630	SD	37	
CWAM3542	86	727	SD	37	
CWAM3545	86	750	SD	37	
CWAM3546	86	753	SD	46	
CWAM3546T	86	753	SD	46	
CWAM3550	86	840	SD	41	
CWAM3554T	86	788	SD	52	
CWAM3555	86	924	SD	49	
CWAM3556	86	970	SD	46	
CWAM3557	86	1,100	SD	47	
CWAM3558	86	970	SD	52	
CWAM3558T	86	970	SD	49	
CWAM3559T	86	1,135	SD	60	
CWAM3611T	86	1,185	SD	86	
CWAM3613T	86	1,327	SD	85	
CWAM3614T	86	1,238	SD	89	
CWAM3615T	86	1,380	SD	96	
CWAM3616T	86	1,756	SD	103	
CWAM3704T	86	1,546	SD	130	
CWAM3710T	86	1,697	SD	132	
CWAM3711T	86	2,012	SD	144	
CWAM3714T	86	1,932	SD	149	
CWDL3504	88	546	WD	34	CWDL3507
CWDL3507	88	635	WD	33	CWDL3510
CWDL3509	88	552	WD	37	CWDL3513
CWDL3510	88	731	WD	37	CWDL3514
CWDL3513	88	736	WD	42	
CWDL3514	88	875	WD	48	
CWDM22976T	89	2,781	WD	213	
CWDM23932T	89	3,129	WD	245	
CWDM23933T	89	3,386	WD	248	CEWDM23933T
CWDM23934T	89	3,929	WD	282	CEWDM23934T
CWDM23994T	89	3,440	WD	195	CWDM41906T
CWDM3537	88	532	WD	27	CWDM3541
CWDM3538	88	576	WD	31	CWDM3542
CWDM3538-5	90,193	576	WD	32	CWDM3542-5
CWDM3539	88	728	WD	37	CWDM3543
CWDM3541	88	558	WD	35	CWDM3545
CWDM3542	88	625	WD	30	CWDM3546

<sup>(1)</sup> Shipping weight is approximate.

<sup>(2)</sup> Baldor has suggested alternate products, however there may be slight differences in performance, efficiency, voltage range, dimensions and mounting. Customers should verify suitability of selected products for their specific application.

Gearmotors and Gear Products

PT Components

Motor Accessories

Grinders

Generators

Servo Motors and Controls

Mod Express

Baldor Education Workshops

Classifications and Sales Offices

EISA Reference Table & Index

Gearmotors and Gear Products

PT Components

Motor Accessories

Grinders

Gearmotors

Servo Motors and Controls

Mod Express

Baldor Education Workshop

Classifications and Sales Offices

EISA Reference Table & Index

Catalog Number	Page Number	List Price	Mult Sym	Ship Wgt <sup>(1)</sup>	Alternate Cat Number <sup>(2)</sup>
CWDM3542-5	90,193	625	WD	34	CWDM3546-5
CWDM3543	88	879	WD	43	CWDM3556
CWDM3545	88	660	WD	33	CWDM3550
CWDM3546	88	670	WD	37	CWDM3554
CWDM3546-5	90,193	670	WD	37	
CWDM3546T	88	689	WD	39	CEWDM3546T
CWDM3550	89	689	WD	51	CEWDM3550
CWDM3554	89	705	WD	34	CWDM3558
CWDM3554T	89	725	WD	42	CWDM3558T
CWDM3554T-5	90,193	725	WD	49	
CWDM3555	89	780	WD	40	CEWDM3555
CWDM3555T	89	800	WD	44	CWDM3559T
CWDM3556	88	849	WD	35	CEWDM3556
CWDM3557	89	899	WD	39	
CWDM3558	89	778	WD	42	CSWDM3558
CWDM3558T	89	812	WD	41	CEWDM3558T
CWDM3558T-5	90,193	812	WD	43	
CWDM3559T	89	957	WD	55	CSSWDM3559T
CWDM3561TP-9	91	1,280	WD	63	
CWDM3610T	89	1,056	WD	57	
CWDM3611T	89	1,066	WD	74	CEWDM3611T
CWDM3611T-5	90,193	1,066	WD	72	
CWDM3613T	89	1,335	WD	74	CSSWDM3613T
CWDM3614T	89	1,075	WD	75	
CWDM3615T	89	1,205	WD	82	CEWDM3615T
CWDM3615T-5	90,193	1,205	WD	81	
CWDM3616T	89	1,523	WD	89	
CWDM3704T	89	1,354	WD	112	
CWDM3708T	89	1,737	WD	132	
CWDM3709T	89	1,656	WD	101	
CWDM3710T	89	1,528	WD	131	CEWDM3710T
CWDM3711T	89	1,964	WD	128	CWDM3713T
CWDM3713T	89	2,468	WD	169	
CWDM3714T	89	1,735	WD	134	CEWDM3714T
CWDM41906T	89	3,950	WD	274	
D1151	311	1,197	K	23	
D1152	311	1,280	K	29	
D1153	311	1,503	K	34	
D1154	311	1,768	K	62	
D1802R	313	5,275	N2	166	
D1803R	313	5,275	N2	130	
D1815R	313	5,275	N2	169	
D2003R	316	5,616	N2	130	
D2005P	319	5,451	N2	178	
D2005R	316	9,046	N2	194	
D2007P	319	6,338	N2	239	
D2007R	316	9,046	N2	197	
D2010P	319	7,194	N2	259	

Catalog Number	Page Number	List Price	Mult Sym	Ship Wgt <sup>(1)</sup>	Alternate Cat Number <sup>(2)</sup>
D2010R	316	9,899	N2	225	
D2010R-2	313	14,551	N2	360	
D2015P	319	8,612	N2	379	
D2015R	316	13,372	N2	315	
D2015R-BV	315	14,459	N2	385	
D2020P	319	9,845	N2	429	
D2020R	316	16,297	N2	370	
D2020R-BV	315	14,459	N2	400	
D2025P	319	13,306	N2	589	D2030P
D2025R	316	16,297	N2	410	
D2025R-BV	315	15,997	N2	425	
D2030P	319	13,306	N2	589	
D2030R	316	23,114	N2	505	
D2030R-BV	315	17,384	N2	400	
D2040P-BV	320	20,754	N2	889	
D2040R-BV	315	23,220	N2	480	
D2050P-BV	320	20,754	N2	898	
D2060P-BV	320	26,825	N2	996	
D2075P-BV	320	26,825	N2	1,015	
D2301	311	1,197	K	30	
D2302	311	1,283	K	29	
D2303	311	1,503	K	33	
D2304	311	1,768	K	61	
D2305	311	3,104	L1	82	
D2505P	321	7,863	N2	379	
D2505R	314	11,424	N2	235	
D2507P	321	9,152	N2	319	
D2507R	314	14,898	N2	380	
D2510P	321	11,371	N2	459	
D2510R	314	16,436	N2	380	
D2515P	321	15,173	N2	629	
D2515R	314	24,640	N2	555	
D2520P	321	19,984	N2	879	D2525P
D2520R	314	26,606	N2	630	
D2525P	321	19,984	N2	872	
D2525R	314	37,753	N2	825	
D5003R	316	8,704	N2	197	
D5005P	319	5,451	N2	162	
D5005R	316	8,704	N2	175	
D5007P	319	6,994	N2	239	
D5007R	316	8,704	N2	210	
D501	463	826	A8	5	
D50100P	319	32,207	N2	1,129	D50125P-BV
D50100P-BV	320	35,152	N2	1,179	
D50100R-BV	315	34,930	N2	870	
D50100RS-BV	315	59,314	N2	1,210	
D5010P	319	7,194	N2	255	
D5010R	316	9,899	N2	235	

(1) Shipping weight is approximate.

(2) Baldor has suggested alternate products, however there may be slight differences in performance, efficiency, voltage range, dimensions and mounting. Customers should verify suitability of selected products for their specific application.

Catalog Number	Page Number	List Price	Mult Sym	Ship Wgt <sup>(1)</sup>	Alternate Cat Number <sup>(2)</sup>
D5010RS-BV	315	16,710	N2	415	
D50125P	319	37,042	N2	1,459	
D50125P-BV	320	35,152	N2	1,189	D50150P-BV
D50125R-BV	315	43,557	N2	940	
D50125RS-BV	315	62,683	N2	1,290	
D50125UR-BV	315	44,635	N2	945	
D50150P	319	46,185	N2	1,139	
D50150P-BV	320	40,284	N2	1,519	
D50150R-BV	315	49,710	N2	1,125	
D50150RS-BV	315	77,708	N2	1,685	
D50150UR-BV	315	50,787	N2	1,255	
D5015P	319	8,612	N2	379	
D5015R	316	13,372	N2	315	
D5015R-BV	315	14,459	N2	345	
D5015RS-BV	315	16,710	N2	345	
D502	463	826	A8	2	
D50200P	319	57,625	N2	2,149	
D50200P-BV	320	50,180	N2	1,809	
D50200RR-BV	315	64,222	N2	1,585	
D50200RS-BV	315	80,016	N2	1,850	
D5020P	319	9,845	N2	429	
D5020R	316	14,911	N2	375	
D5020R-BV	315	14,459	N2	395	
D5020RS-BV	315	18,248	N2	440	
D50250P	319	69,054	N2	2,569	D50300P
D50250P-BV	320	61,431	N2	2,289	
D50250RR-BV	315	78,571	N2	1,890	
D50250RS-BV	315	108,706	N2	2,500	
D5025P	319	13,306	N2	529	
D5025R	316	16,297	N2	415	
D5025R-BV	315	15,997	N2	370	
D5025RS-BV	315	19,635	N2	470	
D50300P-BV	320	72,860	N2	2,659	
D50300R-BV	315	99,404	N2	2,010	
D50300RS-BV	315	131,390	N2	2,800	
D5030P	319	13,306	N2	579	
D5030R	316	23,114	N2	505	
D5030R-BV	315	17,384	N2	450	
D5030RS-BV	315	26,732	N2	565	
D50400P-BV	320	102,851	N2	3,289	
D50400R-BV	315	127,043	N2	2,800	
D50400RS-BV	315	146,876	N2	3,100	
D5040P	319	17,810	N2	819	
D5040P-BV	320	20,754	N2	871	
D5040R	316	25,080	N2	580	
D5040R-BV	315	20,683	N2	425	
D5040RS-BV	315	27,718	N2	570	
D50500P-BV	320	135,069	N2	4,169	

Catalog Number	Page Number	List Price	Mult Sym	Ship Wgt <sup>(1)</sup>	Alternate Cat Number <sup>(2)</sup>
D50500R-BV	315	171,511	N2	3,480	
D5050P	319	17,810	N2	822	
D5050P-BV	320	20,754	N2	899	
D5050R	316	35,888	N2	775	
D5050R-BV	315	23,220	N2	530	
D5050RS-BV	315	28,698	N2	610	
D5060P	319	23,880	N2	815	D5075P
D5060P-BV	320	26,825	N2	869	D5075P-BV
D5060R	316	40,114	N2	850	
D5060R-BV	315	26,167	N2	650	
D5060RS-BV	315	39,845	N2	810	
D5075P	319	23,880	N2	959	
D5075P-BV	320	26,825	N2	999	
D5075R-BV	315	30,248	N2	695	
D5075RS-BV	315	44,071	N2	930	
D51100R-BV	315	49,710	N2	1,240	
D51125RR-BV	315	64,222	N2	1,475	
D51150RR-BV	315	78,571	N2	1,860	
D51200R-BV	315	92,934	N2	2,010	
D51250R-BV	315	127,043	N2	2,800	
D51300R-BV	315	142,529	N2	3,100	
D5130R-BV	315	23,220	N2	550	
D51400R-BV	315	176,193	N2	3,830	
D5140R-BV	315	26,167	N2	650	
D51500R-BV	315	180,069	N2	4,560	
D5150R-BV	315	30,248	N2	735	
D5160R-BV	315	34,930	N2	870	
D5175R-BV	315	49,710	N2	1,190	
D5505P	321	7,863	N2	229	
D5505R	314	13,372	N2	345	
D5507P	321	9,152	N2	319	
D5507R	314	14,898	N2	375	
D5510P	321	11,371	N2	459	
D5510R	314	16,436	N2	290	
D5515P	321	15,173	N2	629	
D5515R	314	24,640	N2	555	
D5520P	321	19,984	N2	867	D5525P
D5520R	314	26,606	N2	630	
D5525P	321	19,984	N2	870	
D5525R	314	37,753	N2	825	
D5530R	314	41,979	N2	900	
D5540R	314	57,160	N2	1,150	
D5550R	314	60,424	N2	1,325	
D70CA	341	943	E7	6	D71CA
D71CA	341	1,011	E7	6	D72CA
D72CA	341	1,138	E7	9	D73CP
D73CP	341	2,334	E7	29	D74CP
D74CP	341	3,044	E7	30	D75CP

(1) Shipping weight is approximate.

(2) Baldor has suggested alternate products, however there may be slight differences in performance, efficiency, voltage range, dimensions and mounting. Customers should verify suitability of selected products for their specific application.

Gearmotors and Gear Products

PT Components

Motor Accessories

Grinders

Generators

Servo Motors and Controls

Mod Express

Baldor Education Workshops

Classifications and Sales Offices

EISA Reference Table & Index

Gearmotors and Gear Products

PT Components

Motor Accessories

Grinders

Gearmotors

Servo Motors and Controls

Mod Express

Baldor Education Workshop

Classifications and Sales Offices

EISA Reference Table & Index

Catalog Number	Page Number	List Price	Mult Sym	Ship Wgt <sup>(1)</sup>	Alternate Cat Number <sup>(2)</sup>
D75CP	341	5,422	E7	68	
D80CA	341	1,004	E7	12	D81CA
D81CA	341	1,063	E7	7	D82CA
D82CA	341	1,184	E7	8	
D90CA	341	943	E7	6	D91CA
D91CA	341	1,011	E7	6	D92CA
D92CA	341	1,138	E7	8	
DA1	468	48	A8	1	
DC10	466	1,217	A8	60	
DC12	466	1,323	A8	62	
DC12-3	466	1,323	A8	57	
DC14-3	466	2,159	A8	73	
DC7	466	1,217	A8	60	
DC8	466	1,217	A8	62	
DDC1642A	136	198	C1	14	
DEL3708TM	157	1,986	L1	142	
DEL3733TM	157	2,606	L1	162	DEL3737TM
DEL3737TM	157	3,183	L1	160	
DG3E	473	3,582	PG	196	
DG6E	473	4,995	PG	273	
DMG2305	321	6,568	N2	220	
DMG2307	321	7,556	N2	262	DMG2310
DMG2310	321	8,374	N2	246	
DMG2315	321	14,058	N2	429	
DMG2320	321	15,390	N2	589	
DMG2325	321	16,828	N2	849	
DMG2333	321	21,340	N2	831	
DMG2340	321	23,393	N2	910	
DR913X913B5	395	159	A8	9	
DR913X918B5	395	166	A8	9	
DR913X921B5	395	176	A8	1	DR913X924B5
DR913X924B5	395	176	A8	1	DR913X921B5
DR913X926B5	395	191	A8	1	
DR918X924B7	395	191	A8	1	
DR918X926B7	395	198	A8	1	DR918X932B7
DR918X932B7	395	198	A8	1	DR918X926B7
DR924X938B9	395	198	A8	1	
EB0389A00SP	338	713	E8	3	
EBM2333T	177	5,829	L1	280	
EBM2334T	177	7,068	L1	331	
EBM2513T	180	4,739	L1	234	
EBM3116T	180	1,184	L1	45	
EBM3154T	180	1,312	L1	44	
EBM3157T	180	1,497	L1	50	
EBM3211T	180	1,836	L1	72	
EBM3218T	180	2,269	L1	92	
EBM3248T	180	1,950	L1	92	
EBM3311T	180	2,852	L1	120	

Catalog Number	Page Number	List Price	Mult Sym	Ship Wgt <sup>(1)</sup>	Alternate Cat Number <sup>(2)</sup>
EBM3313T	180	3,583	L1	132	
EBM3546	177	1,348	K	48	
EBM3546T	177	1,375	L1	47	
EBM3546T-SG	175	1,399	L1	49	
EBM3554T	177	1,548	L1	52	
EBM3554T-SG	175	1,452	L1	59	
EBM3558T	177	1,582	L1	59	
EBM3558T-D	173	1,438	L1	66	
EBM3558T-SG	175	1,483	L1	62	
EBM3611T	177	2,050	L1	86	
EBM3611T-D	173	1,862	L1	76	
EBM3611T-SG	175	1,895	L1	72	
EBM3615T	177	2,485	L1	109	
EBM3615T-D	173	2,252	L1	92	
EBM3615T-SG	175	2,264	L1	88	
EBM3710T	177	3,333	L1	158	
EBM3710T-D	173	3,028	L1	170	
EBM3714T	177	4,120	L1	176	
EBM3714T-D	173	3,727	L1	165	
EBM4103T	177	7,955	L1	504	
EBM4104T	177	10,775	L1	701	
ECP2276T	22,67	2,520	SD	344	CP2276T
ECP2276T-4	22,67	2,520	SD	308	CP2276T-4
ECP2276T-5	24,71,190	2,520	SD	267	
ECP2280T-4	21,67	3,866	SD	337	
ECP2294T	22,68	2,576	SD	350	
ECP2332T	22,67	3,274	SD	354	CP2332T
ECP2332T-4	22,67	3,274	SD	300	CP2332T-4
ECP2332T-5	24,71,190	3,274	SD	286	
ECP2333T	22,68	2,420	SD	255	CECP2333T
ECP2333T-4	22,68	2,420	SD	255	CP2333T-4
ECP2333T-5	24,71,190	2,420	SD	255	
ECP2334T	22,68	2,596	SD	303	CECP2334T
ECP2334T-4	22,68	2,596	SD	303	CP2334T-4
ECP2334T-5	24,71,190	2,596	SD	303	
ECP2394T-4	22,68	2,576	SD	239	CP2394T-4
ECP2395T-4	22,68	6,884	SD	442	
ECP2401T-4	22,67	4,421	SD	332	
ECP2402T-4	22,67	5,157	SD	468	
ECP3580T	21,66	837	SD	55	
ECP3580T-4	21,66	837	SD	55	CP3580T-4
ECP3581T	21,66	920	SD	66	CECP3581T
ECP3581T-4	21,66	920	SD	65	CP3581T-4
ECP3581T-5	24,71,190	920	SD	60	
ECP3582T	21,66	1,016	SD	67	CP3582T
ECP3582T-4	21,66	1,016	SD	69	CP3582T-4
ECP3583T	21,66	952	SD	71	
ECP3583T-4	21,66	952	SD	66	CP3583T-4

<sup>(1)</sup> Shipping weight is approximate.

<sup>(2)</sup> Baldor has suggested alternate products, however there may be slight differences in performance, efficiency, voltage range, dimensions and mounting. Customers should verify suitability of selected products for their specific application.



Catalog Number	Page Number	List Price	Mult Sym	Ship Wgt <sup>(1)</sup>	Alternate Cat Number <sup>(2)</sup>
ECP3584T	21,66	937	SD	68	CECP3584T
ECP3584T-4	21,66	937	SD	71	CP3584T-4
ECP3584T-5	24,71,190	937	SD	65	ECP3587T-5
ECP3586T	21,66	996	SD	73	
ECP3586T-4	21,66	996	SD	72	CP3586T-4
ECP3587T	21,66	978	SD	76	CECP3587T
ECP3587T-4	21,66	978	SD	73	CP3587T-4
ECP3587T-5	24,71,190	978	SD	72	
ECP3660T	21,67	1,178	SD	104	
ECP3660T-4	21,67	1,178	SD	121	
ECP3661T	21,67	1,238	SD	139	CECP3661T
ECP3661T-4	21,67	1,238	SD	134	CP3661T-4
ECP3661T-5	24,71,190	1,238	SD	103	
ECP3663T	21,67	1,449	SD	134	
ECP3663T-4	21,67	1,449	SD	127	CP3663T-4
ECP3664T	21,66	1,204	SD	150	
ECP3664T-4	21,66	1,204	SD	137	
ECP3665T	21,67	1,260	SD	139	CECP3665T
ECP3665T-4	21,67	1,260	SD	144	CP3665T-4
ECP3665T-5	24,71,190	1,260	SD	126	
ECP3667T	21,66	1,189	SD	142	
ECP3667T-4	21,66	1,189	SD	135	
ECP3668T-4	21,66	1,776	SD	142	
ECP3687T-4	21,66	1,427	SD	143	
ECP3764T	21,67	1,738	SD	181	
ECP3764T-4	21,67	1,738	SD	186	CP3764T-4
ECP3764T-5	24,71,190	1,738	SD	186	
ECP3768T	21,67	1,761	SD	199	
ECP3768T-4	21,67	1,761	SD	197	CP3768T-4
ECP3768T-5	24,71,190	1,761	SD	205	
ECP3769T	22,67	1,891	SD	181	
ECP3769T-4	22,67	1,891	SD	180	CP3769T-4
ECP3770T	22,67	1,586	SD	210	CECP3770T
ECP3770T-4	22,67	1,586	SD	210	
ECP3770T-5	24,71,190	1,586	SD	178	
ECP3771T	22,67	2,014	SD	203	
ECP3771T-4	22,67	2,014	SD	215	CP3771T-4
ECP3772T-4	21,66	2,240	SD	204	
ECP3774T	22,67	1,899	SD	231	CECP3774T
ECP3774T-4	22,67	1,899	SD	231	CP3774T-4
ECP3774T-5	24,71,190	1,899	SD	215	
ECP3775T-4	21,67	2,429	SD	216	
ECP4100T	22,68	3,753	SD	439	
ECP4100T-4	22,68	3,753	SD	441	CP4100T-4
ECP4100T-5	24,71,190	3,753	SD	425	
ECP4102T	22,68	5,100	SD	453	
ECP4102T-4	22,68	5,100	SD	456	
ECP4102T-5	24,71,190	5,100	SD	452	

Catalog Number	Page Number	List Price	Mult Sym	Ship Wgt <sup>(1)</sup>	Alternate Cat Number <sup>(2)</sup>
ECP4103T	22,68	3,396	SD	395	ECP4103T
ECP4103T-4	22,68	3,396	SD	395	CP4103T-4
ECP4103T-5	24,71,190	3,396	SD	427	
ECP4104T	22,68	4,033	SD	459	CECP4104T
ECP4104T-4	22,68	4,033	SD	385	CP4104T-4
ECP4104T-5	24,71,190	4,033	SD	471	CP4104T-4
ECP4106T	22,68	3,005	SD	265	
ECP4106T-4	22,68	3,005	SD	265	CP4106T-4
ECP4107T	22,68	3,611	SD	299	
ECP4107T-4	22,68	3,611	SD	449	CP4107T-4
ECP4108T	22,68	4,402	SD	450	
ECP4108T-4	22,68	4,402	SD	457	CP4108T-4
ECP4109T	22,69	6,048	SD	528	
ECP4109T-4	22,69	6,048	SD	608	
ECP4110T	22,69	5,276	SD	647	
ECP4110T-4	22,69	5,276	SD	659	CP4110T-4
ECP4110T-5	24,71,190	5,276	SD	578	CP4110T-4
ECP4111T	22,68	5,329	SD	611	
ECP4111T-4	22,68	5,329	SD	648	
ECP4111T-5	24,71,190	5,329	SD	556	
ECP4112T-4	22,68	7,848	SD	608	
ECP4114T	22,69	6,338	SD	587	
ECP4114T-4	22,69	6,338	SD	647	
ECP4115T	22,69	6,193	SD	732	
ECP4115T-4	22,69	6,193	SD	655	
ECP4115T-5	24,71,190	6,193	SD	640	CP4115T-4
ECP4117T	22,68	6,870	SD	712	
ECP4117T-4	22,68	6,870	SD	695	CP4117T-4
ECP4308T	22,69	8,562	SD	845	
ECP4308T-4	22,69	8,562	SD	847	
ECP4310T	23,69	9,198	SD	748	
ECP4310T-4	23,69	9,198	SD	901	
ECP4312T	22,69	9,120	SD	856	
ECP4312T-4	22,69	9,120	SD	893	
ECP4313T	23,69	10,282	SD	964	
ECP4313T-4	23,69	10,282	SD	966	
ECP4314T	23,69	8,301	SD	900	
ECP4314T-4	23,69	8,301	SD	905	CP4314T-4
ECP4314T-5	24,71,190	8,301	SD	821	
ECP4316T	23,69	9,699	SD	857	
ECP4316T-4	23,69	9,699	SD	938	CP4316T-4
ECP4316T-5	24,71,190	9,699	SD	912	
ECP4400T-4	23,69	12,732	SD	1,329	CP4400T-4
ECP4400T-5	24,71,190	12,732	SD	1,335	
ECP4400TS-4	23,69	12,732	SD	1,292	
ECP4402T	23,69	12,924	SD	1,119	
ECP4402T-4	23,69	12,924	SD	1,266	ECP84402T-4
ECP4403T	23,69	12,458	SD	1,257	

(1) Shipping weight is approximate.

(2) Baldor has suggested alternate products, however there may be slight differences in performance, efficiency, voltage range, dimensions and mounting. Customers should verify suitability of selected products for their specific application.

Gearmotors and Gear Products

PT Components

Motor Accessories

Grinders

Generators

Servo Motors and Controls

Mod Express

Baldor Education Workshops

Classifications and Sales Offices

EISA Reference Table & Index

Gearmotors and Gear Products  
 PT Components  
 Motor Accessories  
 Grinders  
 Gearmotors  
 Servo Motors and Controls  
 Mod Express  
 Baldor Education Workshop  
 Classifications and Sales Offices  
 EISA Reference Table & Index

Catalog Number	Page Number	List Price	Mult Sym	Ship Wgt <sup>(1)</sup>	Alternate Cat Number <sup>(2)</sup>
ECP4403T-4	23,69	12,458	SD	1,308	
ECP4404T	23,69	15,161	SD	1,305	
ECP4404T-4	23,69	15,161	SD	1,289	ECP84404T-4
ECP4406T-4	23,69	17,633	SD	1,946	ECP84406T-4
ECP4406T-5	24,71,190	17,633	SD	1,823	ECP84406T-5
ECP4407T-4	23,70	21,212	SD	2,417	ECP84407T-4
ECP4407T-5	24,71,190	21,212	SD	2,345	ECP84407T-5
ECP4407TR-4	23,70	22,293	SD	2,077	
ECP4407TS-4	23,70	21,518	SD	2,358	
ECP4408T-4	23,70	26,918	SD	2,745	ECP84408T-4
ECP4408TR-4	23,70	27,999	SD	2,764	
ECP4409T-4	23,69	16,676	SD	1,765	ECP84409T-4
ECP4410T-4	23,69	15,052	SD	1,781	ECP84410T-4
ECP4410T-5	24,71,190	15,052	SD	1,675	ECP84410T-5
ECP4411T-4	23,69	18,839	SD	1,884	ECP84411T-4
ECP4412T	23,69	15,187	SD	1,654	
ECP4412T-4	23,69	15,187	SD	1,712	ECP84412T-4
ECP4413T-4	23,69	17,804	SD	1,953	ECP84413T-4
ECP44156T-4	23,69	21,240	SD	2,006	ECP844156T-4
ECP44156TR-4	23,69	22,322	SD	2,048	
ECP4416T-4	23,70	21,082	SD	2,129	ECP84416T-4
ECP44202T-2340	25,80	46,094	LM	2,300	
ECP44202T-4	23,70	21,082	SD	1,986	
ECP44204T-2340	25,80	44,894	LM	2,228	
ECP44206T-4	23,70	27,823	SD	2,809	ECP844206T-4
ECP44206TR-4	23,70	28,904	SD	2,848	
ECP44252T-4	23,70	32,238	SD	2,424	ECP844252T-4
ECP44256T-4	23,70	38,815	SD	2,973	ECP844256T-4
ECP44256TR-4	23,70	39,896	SD	2,999	
ECP44302T-4	23,70	47,117	SD	2,626	
ECP44304T-4	23,70	37,101	SD	2,853	M44304T-4
ECP44304TR-4	23,70	38,183	SD	2,925	
ECP44352T-4	23,70	56,554	SD	2,848	
ECP44354T-4	23,70	44,520	SD	3,041	M44354T-4
ECP44402T-4	23,70	66,165	SD	2,845	
ECP44404T-4	23,70	55,606	SD	3,459	M44404T-4
ECP50252S-2340	25,80	72,523	LM	5,300	
ECP50254L-2340	25,80	71,137	LM	4,700	
ECP50254S-2340	25,80	68,831	LM	5,900	
ECP50256LR-2340	25,80	78,954	LM	5,650	
ECP50302S-2340	25,80	74,637	LM	5,300	
ECP50304L-2340	25,80	72,875	LM	5,140	
ECP50304S-2340	25,80	70,569	LM	5,900	
ECP50306LR-2340	25,80	81,347	LM	5,650	
ECP50352S-2340	25,80	76,438	LM	6,000	
ECP50354L-2340	25,80	74,622	LM	6,000	
ECP50354S-2340	25,80	72,317	LM	6,000	
ECP50356LR-2340	25,80	87,287	LM	6,600	

Catalog Number	Page Number	List Price	Mult Sym	Ship Wgt <sup>(1)</sup>	Alternate Cat Number <sup>(2)</sup>
ECP50402S-2340	25,80	78,767	LM	6,000	
ECP50404L-2340	25,80	76,406	LM	4,036	
ECP50404S-2340	25,80	74,100	LM	6,000	
ECP50406LR-2340	25,80	90,232	LM	6,600	
ECP50454L-2340	25,80	78,121	LM	6,200	
ECP50456S-2340	25,80	92,150	LM	5,800	
ECP50502S-2340	25,80	87,084	LM	5,500	
ECP50504L-2340	25,80	81,137	LM	5,500	
ECP50506LR-2340	25,80	100,698	LM	6,600	
ECP50602S-2340	25,80	85,436	LM	5,500	
ECP50604L-2340	25,80	75,667	LM	5,500	
ECP50704L-2340	25,80	86,814	LM	5,000	
ECP50704S-2340	25,80	86,814	LM	6,500	
ECP62333TR-4	79	2,973	SD	280	
ECP62334TR-4	79	3,189	SD	322	
ECP63665T-4	79	1,384	SD	142	
ECP63770TR-4	79	1,982	SD	205	
ECP63774TR-4	79	2,302	SD	225	
ECP64103TR-4	79	4,123	SD	422	
ECP64104TR-4	79	4,784	SD	460	
ECP64110TR-4	79	6,347	SD	600	
ECP64115TR-4	79	7,366	SD	700	
ECP64314TR-4	79	9,664	SD	902	
ECP64316TR-4	79	11,149	SD	951	
ECP82276T-4	74	2,817	SD	305	
ECP82276T-5	77,191	2,955	SD	302	
ECP82332T-4	74	3,596	SD	310	
ECP82332T-5	77,191	3,596	SD	322	
ECP82333T-4	74	2,658	SD	280	
ECP82333T-5	77,191	2,658	SD	280	
ECP82334T-4	74	2,874	SD	258	
ECP82334T-5	77,191	2,874	SD	325	
ECP82394T-4	74	2,878	SD	262	
ECP82394T-5	77,191	2,878	SD	239	
ECP83580T-4	74	919	SD	59	
ECP83580T-5	77,191	919	SD	35	
ECP83581T-4	74	1,009	SD	66	
ECP83581T-5	77,191	1,009	SD	70	
ECP83582T-4	74	1,082	SD	71	
ECP83582T-5	77,191	1,082	SD	42	
ECP83583T-4	74	987	SD	69	
ECP83583T-5	77,191	987	SD	68	
ECP83584T-4	74	1,027	SD	74	
ECP83584T-5	77,191	1,027	SD	73	
ECP83586T-4	74	1,083	SD	75	
ECP83586T-5	77,191	1,023	SD	78	
ECP83587T-4	74	1,073	SD	76	
ECP83587T-5	77,191	1,073	SD	70	

<sup>(1)</sup> Shipping weight is approximate.

<sup>(2)</sup> Baldor has suggested alternate products, however there may be slight differences in performance, efficiency, voltage range, dimensions and mounting. Customers should verify suitability of selected products for their specific application.

Catalog Number	Page Number	List Price	Mult Sym	Ship Wgt <sup>(1)</sup>	Alternate Cat Number <sup>(2)</sup>
ECP83660T-4	74	1,291	SD	124	
ECP83660T-5	77,191	1,291	SD	117	
ECP83661T-4	74	1,358	SD	131	
ECP83661T-5	77,191	1,358	SD	137	
ECP83663T-4	74	1,591	SD	131	
ECP83663T-5	77,191	1,591	SD	129	
ECP83664T-4	74	1,155	SD	143	
ECP83664T-5	77,191	1,155	SD	143	
ECP83665T-4	74	1,384	SD	142	
ECP83665T-5	77,191	1,384	SD	145	
ECP83667T-4	74	1,246	SD	145	
ECP83667T-5	77,191	1,246	SD	137	
ECP83764T-4	74	1,889	SD	186	
ECP83764T-5	77,191	1,889	SD	183	
ECP83768T-4	74	1,953	SD	200	
ECP83768T-5	77,191	1,953	SD	203	
ECP83769T-4	74	2,077	SD	180	
ECP83769T-5	77,191	2,077	SD	182	
ECP83770T-4	74	1,744	SD	185	
ECP83770T-5	77,191	1,744	SD	202	
ECP83771T-4	74	2,211	SD	225	
ECP83771T-5	77,191	2,211	SD	225	
ECP83774T-4	74	2,065	SD	231	
ECP83774T-5	77,191	2,065	SD	231	
ECP84100T-4	74	4,155	SD	442	
ECP84100T-5	77,191	4,155	SD	445	
ECP84102T-4	74	5,599	SD	458	
ECP84102T-5	77,191	5,599	SD	470	
ECP84103T-4	74	3,728	SD	519	
ECP84103T-5	77,191	3,728	SD	420	
ECP84104T-4	74	4,390	SD	460	
ECP84104T-5	77,191	4,390	SD	460	
ECP84106T-4	74	3,299	SD	310	
ECP84106T-5	77,191	3,299	SD	310	
ECP84107T-4	74	4,034	SD	451	
ECP84107T-5	77,191	4,034	SD	455	
ECP84108T-4	74	4,832	SD	462	
ECP84108T-5	77,191	4,832	SD	454	
ECP84109T-4	74	6,611	SD	587	
ECP84109T-5	77,191	6,611	SD	587	
ECP84110T-4	74	5,845	SD	592	
ECP84110T-5	77,191	5,845	SD	599	
ECP84111T-4	74	5,901	SD	589	
ECP84111T-5	77,191	5,901	SD	537	
ECP84114T-4	74	6,896	SD	633	
ECP84114T-5	77,191	6,896	SD	633	
ECP84115T-4	74	6,863	SD	700	
ECP84115T-5	77,191	6,863	SD	633	

Catalog Number	Page Number	List Price	Mult Sym	Ship Wgt <sup>(1)</sup>	Alternate Cat Number <sup>(2)</sup>
ECP84117T-4	74	7,679	SD	593	
ECP84117T-5	77,191	7,679	SD	630	
ECP84308T-4	74	9,401	SD	896	
ECP84308T-5	77,191	9,401	SD	865	
ECP84310T-4	75	10,191	SD	885	
ECP84310T-5	78,192	10,191	SD	890	
ECP84312T-4	74	10,012	SD	889	
ECP84312T-5	77,191	10,012	SD	890	
ECP84313T-4	75	11,288	SD	938	
ECP84313T-5	78,192	11,288	SD	978	
ECP84314T-4	75	9,113	SD	906	
ECP84314T-5	78,192	9,113	SD	871	
ECP84316T-4	75	10,598	SD	940	
ECP84316T-5	78,192	10,598	SD	953	
ECP84400T-4	75	14,146	SD	1,318	
ECP84400T-5	78,192	14,146	SD	1,330	
ECP84402T-4	75	13,527	SD	1,267	
ECP84402T-5	78,192	13,527	SD	1,231	
ECP84403T-4	75	12,978	SD	1,110	
ECP84403T-5	78,192	12,978	SD	1,220	
ECP84404T-4	75	15,719	SD	1,239	
ECP84404T-5	78,192	15,719	SD	1,260	
ECP84406T-4	75	18,977	SD	1,932	
ECP84406T-5	78,192	18,977	SD	1,933	
ECP84407T-4	75	22,831	SD	2,388	
ECP84407T-5	78,192	22,831	SD	2,390	
ECP84407TR-4	75	23,913	SD	2,464	
ECP84407TR-5	78,192	23,913	SD	2,453	
ECP84408T-4	75	29,145	SD	2,729	
ECP84408T-5	78,192	29,145	SD	2,723	
ECP84408TR-4	75	30,198	SD	2,800	
ECP84408TR-5	78,192	30,198	SD	2,727	
ECP84409T-4	75	17,291	SD	1,758	
ECP84409T-5	78,192	17,291	SD	1,670	
ECP84410T-4	75	16,047	SD	1,779	
ECP84410T-5	78,192	16,047	SD	1,784	
ECP84411T-4	75	19,626	SD	1,901	
ECP84411T-5	78,192	19,626	SD	1,860	
ECP84412T-4	75	15,820	SD	1,707	
ECP84412T-5	78,192	15,820	SD	1,717	
ECP84413T-4	75	18,180	SD	1,956	
ECP84413T-5	78,192	18,180	SD	1,947	
ECP844156T-4	75	21,814	SD	2,355	
ECP844156TR-4	75	22,895	SD	2,405	
ECP844156TR-5	78,192	22,895	SD	2,300	
ECP84416T-4	75	24,034	SD	2,189	
ECP84416T-5	78,192	24,034	SD	1,991	
ECP844206T-4	75	28,980	SD	2,768	

(1) Shipping weight is approximate.

(2) Baldor has suggested alternate products, however there may be slight differences in performance, efficiency, voltage range, dimensions and mounting. Customers should verify suitability of selected products for their specific application.

Gearmotors and Gear Products

PT Components

Motor Accessories

Grinders

Generators

Servo Motors and Controls

Mod Express

Baldor Education Workshops

Classifications and Sales Offices

EISA Reference Table & Index

Gearmotors and Gear Products

PT Components

Motor Accessories

Grinders

Gearmotors

Servo Motors and Controls

Mod Express

Baldor Education Workshop

Classifications and Sales Offices

EISA Reference Table & Index

Catalog Number	Page Number	List Price	Mult Sym	Ship Wgt <sup>(1)</sup>	Alternate Cat Number <sup>(2)</sup>
ECP844206TR-4	75	30,062	SD	2,802	
ECP844206TR-5	78,192	30,062	SD	2,590	
ECP844252T-4	75	38,724	SD	2,724	
ECP844252T-5	78,192	38,724	SD	2,712	
ECP844256T-4	75	40,675	SD	2,995	
ECR4400TR-4	83	10,772	SD	1,281	
ECR4404TR-4	83	14,229	SD	1,305	
ECR4406TR-4	83	16,053	SD	1,922	
ECR4407TR-4	83	19,317	SD	2,077	
ECR4409TR-4	83	14,698	SD	1,765	
ECR4410TR-4	83	13,706	SD	1,781	
ECR4411TR-4	83	16,605	SD	1,884	
ECR44156TR-4	83	18,721	SD	2,048	
ECR44206TR-4	83	24,518	SD	2,848	
ECTM2276T	139	2,470	L1	298	
ECTM2332T	139	2,822	L1	282	
ECTM2333T	139	2,596	L1	255	
ECTM2334T	139	2,895	L1	286	
ECTM3665T	139	1,092	L1	109	
ECTM3768T	139	1,735	L1	203	
ECTM3770T	139	1,457	L1	170	
ECTM3774T	139	1,955	L1	231	
ECTM4100T	139	3,763	L1	421	
ECTM4102T	139	5,011	L1	420	
ECTM4103T	139	3,564	L1	417	
ECTM4104T	139	4,230	L1	492	
ECTM4110T	139	5,531	L1	592	
ECTM4111T	139	5,669	L1	537	
ECTM4115T	139	6,613	L1	635	
ECTM4117T	139	6,550	L1	592	
ECTM4308T	139	8,161	L1	831	
ECTM4312T	139	9,862	L1	851	
ECTM4314T	139	8,697	L1	808	
ECTM4316T	139	10,170	L1	832	
ECTM4403T	139	11,971	L1	1,114	
EFM2333T	27,165	2,033	L1	255	EFM2334T
EFM2334T	27,165	2,463	L1	286	
EFM2513T	27,165	1,824	L1	234	FM2513T
EFM2513T-8	17,185	1,869	L1	234	FM2513T-8
EFM2515T	27,165	2,290	L1	237	FM2515T
EFM2515T-8	17,185	2,346	L1	237	FM2515T-8
EFM2531T	27,165	2,791	L1	332	FM2531T
EFM2535T	27,165	3,052	L1	372	FM2535T
EFM2539T	27,165	3,982	L1	477	FM2539T
EFM2543T	27,165	4,394	L1	472	FM2543T
EFM2547T	27,165	5,532	L1	782	
EFM3116T	27,165	547	L1	36	EM3116T
EFM3154T	27,165	572	L1	37	EM3154T

Catalog Number	Page Number	List Price	Mult Sym	Ship Wgt <sup>(1)</sup>	Alternate Cat Number <sup>(2)</sup>
EFM3157T	27,165	613	L1	48	EM3157T
EFM3157T-8	17,185	629	L1	48	EM3157T-8
EFM3211T	27,165	661	L1	77	FM3211T
EFM3211T-8	17,185	678	L1	66	EM3211T-8
EFM3218T	27,165	724	L1	84	FM3218T
EFM3218T-8	17,185	742	L1	69	EM3218T-8
EFM3311T	27,165	1,064	L1	111	FM3311T
EFM3311T-8	17,185	1,090	L1	109	FM3311T-8
EFM3313T	27,165	1,288	L1	123	FM3313T
EFM3313T-8	17,185	1,319	L1	127	FM3313T-8
EFM3558T	27,165	668	L1	49	
EFM3611T	27,165	741	L1	69	
EFM3615T	27,165	811	L1	95	
EFM3710T	27,165	1,173	L1	125	
EFM3714T	27,165	1,318	L1	158	
EFM4103T	27,165	3,220	L1	392	
EFM4104T	27,165	3,824	L1	444	
EH3M9101	145	463	LS	21	
EH3M9102	145	453	LS	27	
EH3M9104	145	506	LS	24	
EH3M9105	147	472	LS	31	
EH3M9106	145	496	LS	25	
EH3M9110T	145	639	LS	34	
EH3M9112T	145	656	LS	42	
EH3M9114T	145	666	LS	39	
EH3M9117T	146	719	LS	49	
EH3M9118T	146	691	LS	51	
EH3M9121T	146	798	LS	56	
EH3M9122T	146	777	LS	75	
EH3M9125T	146	881	LS	70	
EH3M9126T	146	850	LS	92	
EH3M9128T	146	1,323	LS	116	
EH3M9129T	146	1,224	LS	113	
EH3M9132T	146	1,381	LS	137	
EH3M9135T	146	2,130	LS	242	
EH3M9139T	146	2,582	LS	248	
EH3M9202	147	376	LS	24	
EH3M9204	147	377	LS	25	
EH3M9210T	147	564	LS	37	
EH3M9214T	147	586	LS	39	
EH3M9217T	147	648	LS	43	
EH3M9218T	147	629	LS	45	
EH3M9221T	147	656	LS	48	
EH3M9225T	148	718	LS	59	
EH3M9226T	148	740	LS	78	
EH3M9228T	148	1,137	LS	77	
EH3M9229T	148	1,088	LS	117	
EH3M9231T	148	1,296	LS	116	

<sup>(1)</sup> Shipping weight is approximate.

<sup>(2)</sup> Baldor has suggested alternate products, however there may be slight differences in performance, efficiency, voltage range, dimensions and mounting. Customers should verify suitability of selected products for their specific application.

Catalog Number	Page Number	List Price	Mult Sym	Ship Wgt <sup>(1)</sup>	Alternate Cat Number <sup>(2)</sup>
EH3M9232T	148	1,318	LS	142	
EH3M9233T	148	1,846	LS	140	
EH3M9235T	148	1,866	LS	187	
EH3M9238T	148	2,167	LS	186	
EH3M9239T	148	2,345	LS	242	
EH3M9242T	148	2,857	LS	312	
EH3M9244T	148	3,070	LS	250	
EH3M9246T	148	3,126	LS	339	
EH3M9248T	148	3,959	LS	288	
EH3M9249T	148	4,078	LS	378	
EH3M9258T	148	6,959	LS	553	
EHFM2515T	142	2,303	LS	245	
EHFM2523T	142	1,839	LS	245	
EHFM2531T	142	2,802	LS	330	
EHFM2535T	142	3,063	LS	379	
EHFM2539T	142	3,988	LS	479	
EHFM2543T	142	4,893	LS	505	
EHFM2547T	142	5,533	LS	563	
EHFM2551T	142	6,787	LS	616	
EHFM2555T	142	7,737	LS	552	
EHFM3116T	142	570	LS	33	
EHFM3154T	142	592	LS	41	
EHFM3157T	142	636	LS	46	
EHFM3211T	142	683	LS	72	
EHFM3218T	142	742	LS	82	
EHFM3311T	142	1,081	LS	112	
EHFM3311T-8	142	1,081	LS	108	
EHFM3313T	142	1,302	LS	134	
EHM2333T	143	2,055	LS	238	
EHM2333T-5	143	2,055	LS	238	
EHM2334T	143	2,487	LS	303	
EHM2334T-5	143	2,487	LS	303	
EHM2515T	141	2,303	LS	255	
EHM2515T-5	142	2,303	LS	250	
EHM2515T-8	142	2,303	LS	250	
EHM2523T	141	1,839	LS	234	
EHM2523T-5	142	1,839	LS	234	
EHM2523T-8	142	1,839	LS	234	
EHM2531T	141	2,802	LS	330	
EHM2531T-5	142	2,802	LS	330	
EHM2531T-8	142	2,802	LS	330	
EHM2535T	141	3,063	LS	379	
EHM2535T-8	142	3,063	LS	379	
EHM2539T	141	3,988	LS	523	
EHM2539T-8	142	3,988	LS	523	
EHM2543T	141	4,893	LS	515	
EHM2543T-8	142	4,893	LS	515	
EHM2547T	141	5,533	LS	557	

Catalog Number	Page Number	List Price	Mult Sym	Ship Wgt <sup>(1)</sup>	Alternate Cat Number <sup>(2)</sup>
EHM2551T	141	6,787	LS	616	
EHM2555T	141	7,737	LS	552	
EHM3116T	141	570	LS	34	
EHM3116T-8	142	570	LS	34	
EHM3154T	141	592	LS	44	
EHM3154T-8	142	592	LS	44	
EHM3157T	141	636	LS	46	
EHM3157T-8	142	636	LS	46	
EHM3211T	141	683	LS	75	
EHM3211T-5	142	683	LS	66	
EHM3211T-8	142	683	LS	72	
EHM3218T	141	742	LS	82	
EHM3218T-5	142	742	LS	70	
EHM3218T-8	142	742	LS	73	
EHM3218TA	144	948	L1	82	
EHM3311T	141	1,081	LS	114	
EHM3311T-8	142	1,081	LS	108	
EHM3313T	141	1,302	LS	124	
EHM3313T-5	142	1,302	LS	123	
EHM3313T-8	142	1,302	LS	124	
EHM3546T	143	643	LS	37	
EHM3546T-5	143	643	LS	37	
EHM3554T	143	646	LS	48	
EHM3554T-5	143	646	LS	48	
EHM3558T	143	692	LS	45	
EHM3558T-5	143	692	LS	45	
EHM3611T	143	762	LS	72	
EHM3611T-5	143	762	LS	72	
EHM3615T	143	833	LS	95	
EHM3615T-5	143	833	LS	95	
EHM3710T	143	1,190	LS	122	
EHM3710T-5	143	1,190	LS	122	
EHM3714T	143	1,343	LS	158	
EHM3714T-5	143	1,343	LS	158	
EHM4103T	143	3,246	LS	437	
EHM4103T-5	143	3,246	LS	437	
EHM4104T	143	3,847	LS	460	
EHM4104T-5	143	3,847	LS	460	
EHM4110T	143	5,023	LS	642	
EHM4110T-5	143	5,023	LS	642	
EHM4115T	143	5,471	LS	676	
EHM4115T-5	143	5,471	LS	676	
EHM9110T	145	639	LS	35	
EHM9114T	145	666	LS	43	
EHM9118T	145	691	LS	51	
EHM9122T	145	777	LS	74	
EHM9126T	145	850	LS	92	
EHM9129T	145	1,224	LS	115	

(1) Shipping weight is approximate.

(2) Baldor has suggested alternate products, however there may be slight differences in performance, efficiency, voltage range, dimensions and mounting. Customers should verify suitability of selected products for their specific application.

Gearmotors and Gear Products

PT Components

Motor Accessories

Grinders

Generators

Servo Motors and Controls

Mod Express

Baldor Education Workshops

Classifications and Sales Offices

EISA Reference Table & Index

Gearmotors and Gear Products

PT Components

Motor Accessories

Grinders

Gearmotors

Servo Motors and Controls

Mod Express

Baldor Education Workshop

Classifications and Sales Offices

EISA Reference Table & Index

Catalog Number	Page Number	List Price	Mult Sym	Ship Wgt <sup>(1)</sup>	Alternate Cat Number <sup>(2)</sup>
EHM9132T	145	1,381	LS	126	
EHM9139T	145	2,582	LS	265	
EHM9142T	145	3,379	LS	403	
EHM9146T	145	4,012	LS	353	
EHM9149T	145	5,244	LS	579	
EHM9152T	145	5,730	LS	611	
EHM9155T	145	9,164	LS	808	
EHM9214T	147	533	LS	37	
EHM9218T	147	629	LS	42	
EHM9222T	147	676	LS	63	
EHM9226T	147	740	LS	81	
EHM9229T	147	1,088	LS	117	
EHM9232T	147	1,318	LS	143	
EHM9235T	147	1,866	LS	187	
EHM9246T	147	3,126	LS	339	
EHM9252T	147	4,501	LS	380	
EJMM2333T	37,123	2,701	L1	255	
EJMM2334T	37,123	3,048	L1	303	
EJMM2394T	37,123	2,725	L1	248	
EJMM2513T	38,125	2,214	L1	234	
EJMM2514T	38,125	2,462	L1	186	
EJMM2515T	38,125	2,652	L1	237	
EJMM2516T	38,125	2,918	L1	242	
EJMM2531T	38,125	3,155	L1	335	
EJMM2534T	38,125	3,709	L1	248	
EJMM2535T	38,125	3,779	L1	379	
EJMM2538T	38,126	4,466	L1	385	
EJMM2539T	38,126	4,594	L1	523	
EJMM2542T	38,126	5,035	L1	447	
EJMM2543T	38,126	5,312	L1	477	
EJMM3116T	38,124	623	L1	37	
EJMM3154T	38,124	674	L1	43	
EJMM3155T	38,124	746	L1	45	
EJMM3157T	38,124	738	L1	51	
EJMM3158T	38,124	837	L1	54	
EJMM3211T	38,124	816	L1	69	
EJMM3212T	38,125	998	L1	76	
EJMM3218T	38,125	923	L1	90	
EJMM3219T	38,125	1,179	L1	91	
EJMM3311T	38,125	1,384	L1	121	
EJMM3312T	38,125	1,519	L1	136	
EJMM3313T	38,125	1,497	L1	163	
EJMM3314T	38,125	1,955	L1	154	
EJMM3546T	37,122	729	L1	44	
EJMM3550T	37,122	724	L1	47	
EJMM3554T	37,122	776	L1	53	
EJMM3555T	37,122	777	L1	54	
EJMM3558T	37,122	793	L1	52	

Catalog Number	Page Number	List Price	Mult Sym	Ship Wgt <sup>(1)</sup>	Alternate Cat Number <sup>(2)</sup>
EJMM3559T	37,122	835	L1	61	
EJMM3610T	37,122	836	L1	66	
EJMM3611T	37,122	920	L1	75	
EJMM3613T	37,122	992	L1	81	
EJMM3615T	37,122	923	L1	95	
EJMM3709T	37,122	1,299	L1	142	
EJMM3710T	37,122	1,404	L1	140	
EJMM3711T	37,122	1,492	L1	154	
EJMM3714T	37,122	1,650	L1	158	
EJMM4103T	37,123	3,612	L1	418	
EJMM4104T	37,123	4,280	L1	451	
EJMM4106T	37,123	3,001	L1	282	
EJMM4107T	37,123	3,487	L1	383	
EJMM4108T	37,123	4,796	L1	382	
EJMM4109T	37,123	5,431	L1	479	
EJMM4110T	37,123	5,564	L1	617	
EJMM4114T	37,123	6,572	L1	575	
EJMM4115T	37,123	6,688	L1	633	
EJPM2333T	37,123	2,701	L1	255	
EJPM2334T	37,123	3,048	L1	303	
EJPM2394T	37,123	2,725	L1	270	
EJPM2513T	38,125	2,214	L1	242	
EJPM2514T	38,125	2,462	L1	221	
EJPM2515T	38,125	2,652	L1	234	
EJPM2516T	38,125	2,918	L1	252	
EJPM2531T	38,125	3,155	L1	330	
EJPM2534T	38,125	3,709	L1	248	
EJPM2535T	38,125	3,779	L1	378	
EJPM2538T	38,126	4,466	L1	279	
EJPM2539T	38,126	4,594	L1	475	
EJPM2542T	38,126	5,035	L1	383	
EJPM2543T	38,126	5,312	L1	474	
EJPM3312T	38,125	1,519	L1	129	
EJPM3313T	38,125	1,497	L1	136	
EJPM3314T	38,125	1,955	L1	154	
EJPM3714T	37,122	1,650	L1	165	
EJPM4103T	37,123	3,612	L1	410	
EJPM4104T	37,123	4,280	L1	460	
EJPM4106T	37,123	3,001	L1	265	
EJPM4107T	37,123	3,487	L1	286	
EJPM4108T	37,123	4,796	L1	435	
EJPM4109T	37,123	5,431	L1	489	
EJPM4110T	37,123	5,564	L1	618	
EJPM4114T	37,123	6,572	L1	630	
EJPM4115T	37,123	6,688	L1	635	
EL1203	39,43	321	K	23	
EL1205	39,43	293	K	26	
EL1301	39,43	380	K	26	

<sup>(1)</sup> Shipping weight is approximate.

<sup>(2)</sup> Baldor has suggested alternate products, however there may be slight differences in performance, efficiency, voltage range, dimensions and mounting. Customers should verify suitability of selected products for their specific application.



Catalog Number	Page Number	List Price	Mult Sym	Ship Wgt <sup>(1)</sup>	Alternate Cat Number <sup>(2)</sup>
EL1303	39,43	323	K	23	
EL1304	39,43	435	K	29	
EL1306	39,43	394	K	29	
EL1307	39,43	536	K	38	
EL1309	39,43	414	K	32	
EL1310	39,43	584	K	42	
EL1313	39,44	580	K	37	
EL1317	39,44	771	K	46	
EL1319	39,44	765	K	51	
EL1319T	39,44	793	L1	49	
EL1405T	39,44	894	L1	65	
EL1406T	39,44	941	L1	74	
EL1408T	39,44	936	L1	78	
EL1409T	39,44	1,118	L1	77	
EL1410T	39,44	1,069	L1	95	
EL3403	39,40	370	K	24	
EL3405	39,40	354	K	28	
EL3501	39,40	409	K	28	
EL3503	39,40	401	K	24	
EL3504	39,40	482	K	30	
EL3506	39,40	451	K	31	
EL3507	39,40	587	K	41	
EL3509	39,41	521	K	39	
EL3510	39,41	674	K	44	
EL3514	39,41	768	K	57	
EL3514T	39,41	768	L1	57	
EL3515T	39,41	901	L1	56	
EL3605T	39,41	1,050	L1	64	
EL3606T	39,41	980	L1	77	
EL3608T	39,41	1,351	L1	93	
EL3609T	39,41	1,225	L1	90	
EL3612T	39,41	1,462	L1	96	
EM11042-57	204	1,246	L1	106	
EM13062-58	204	1,444	L1	181	
EM13064-58	204	1,392	L1	81	
EM13082-58	204	1,693	L1	175	
EM13084-58	204	1,560	L1	91	
EM16112-58	204	2,436	L1	282	
EM16114-58	204	2,250	L1	286	
EM16152-58	204	2,665	L1	294	
EM16154-58	204	2,705	L1	315	
EM16192-58	204	3,444	L1	310	
EM18194-58	204	3,507	L1	459	
EM18222-58	204	4,073	L1	445	
EM18224-58	204	4,142	L1	451	
EM20302-58	204	5,246	L1	608	
EM20304-58	204	5,383	L1	608	
EM20372-58	204	6,056	L1	633	

Catalog Number	Page Number	List Price	Mult Sym	Ship Wgt <sup>(1)</sup>	Alternate Cat Number <sup>(2)</sup>
EM22374-58	204	5,874	L1	367	
EM22452-58	204	8,466	L1	815	
EM22454-58	204	8,406	L1	808	
EM2276T	8,49	2,247	L1	298	M2276T
EM2332T	8,49	2,565	L1	282	M2332T
EM2333T	9,49	2,037	LS	255	M2333T
EM2333T-5	18,187	2,037	LS	235	
EM2333T-8	16,183	2,094	L1	238	
EM2333T-G	14,137	2,190	L1	255	
EM2334T	9,49	2,470	LS	291	M2334T
EM2334T-12	49	2,526	L1	291	
EM2334T-5	18,187	2,470	LS	303	
EM2334T-8	16,183	2,540	L1	286	M2334T-8
EM2334T-G	14,137	2,623	L1	291	
EM2394T	9,49	2,222	L1	270	M2394T
EM2394T-5	18,187	2,222	L1	268	
EM2394T-8	16,183	2,276	L1	267	
EM2506T	12,59	1,533	L1	245	M2506T
EM2511T	12,59	1,995	L1	249	M2511T
EM251252S-2340	65	122,176	LM	7,700	
EM251254S-2340	65	120,459	LM	7,700	
EM2513T	12,60	2,091	LS	217	
EM2513T-5	20,195	2,091	LS	234	
EM2513T-8	17,184	1,869	L1	234	EM2333T-8
EM2513T-CI	12,60	1,986	L1	255	
EM2513T-G	14,137	1,981	L1	217	
EM2514T	12,60	2,118	L1	206	
EM2514T-8	17,184	2,172	L1	186	
EM2515T	12,60	2,290	L1	237	M2515T
EM2515T-12	12,60	2,334	L1	237	
EM2515T-5	20,195	2,290	L1	237	M2515T-5
EM2515T-8	17,184	2,346	L1	237	M2515T-8
EM2515T-CI	12,60	2,496	L1	283	
EM2515T-G	14,137	2,447	L1	237	
EM2516T	12,60	2,543	L1	242	M2516T
EM2516T-8	17,184	2,607	L1	242	
EM2524T	12,60	2,690	L1	375	
EM2528T	12,60	3,274	L1	372	
EM2531T	12,60	2,791	L1	330	M2531T
EM2531T-12	12,60	2,845	L1	330	
EM2531T-5	20,195	2,791	L1	330	M2531T-5
EM2531T-8	17,184	2,860	L1	313	M2531T-8
EM2531T-CI	12,60	3,043	L1	420	
EM2531T-G	14,137	2,974	L1	330	
EM2532T	12,60	3,954	L1	478	M2532T
EM2534T	12,60	3,001	L1	323	M2534T
EM2535T	12,60	3,052	L1	372	M2535T
EM2535T-12	12,60	3,114	L1	372	

<sup>(1)</sup> Shipping weight is approximate.

<sup>(2)</sup> Baldor has suggested alternate products, however there may be slight differences in performance, efficiency, voltage range, dimensions and mounting. Customers should verify suitability of selected products for their specific application.

Gearmotors and Gear Products

PT Components

Motor Accessories

Grinders

Gearmotors

Servo Motors and Controls

Mod Express

Baldor Education Workshop

Classifications and Sales Offices

EISA Reference Table & Index

Catalog Number	Page Number	List Price	Mult Sym	Ship Wgt <sup>(1)</sup>	Alternate Cat Number <sup>(2)</sup>
EM2535T-5	20,195	3,052	L1	356	M2535T-5
EM2535T-8	17,184	3,128	L1	353	M2535T-8
EM2535T-CI	12,60	3,327	L1	425	
EM2535T-G	14,137	3,235	L1	372	
EM2536T	12,60	4,125	L1	474	
EM2538T	13,60	3,866	L1	378	M2538T
EM2538T-8	17,184	3,963	L1	377	M2538T-8
EM2538T-CI	13,60	4,215	L1	437	
EM2539T	13,60	3,982	L1	441	M2539T
EM2539T-12	13,60	4,061	L1	441	
EM2539T-5	20,195	3,982	L1	482	M2539T-5
EM2539T-8	17,184	4,081	L1	488	M2539T-8
EM2539T-CI	13,60	4,341	L1	579	
EM2539T-G	14,137	4,191	L1	441	
EM2540T	13,60	5,579	L1	565	M2540T
EM2540T-CI	13,60	5,876	L1	827	
EM2542T	13,61	4,211	L1	447	M2542T
EM2542T-CI	13,61	4,775	L1	585	
EM2543T	13,61	4,394	L1	472	M2543T
EM2543T-12	13,61	4,487	L1	536	
EM2543T-5	20,195	4,394	L1	445	M2543T-5
EM2543T-8	17,184	4,503	L1	521	M2543T-8
EM2543T-CI	13,61	4,790	L1	578	
EM2543T-G	14,137	4,603	L1	472	
EM2543TS-12	13,61	4,487	L1	536	
EM2544T	13,61	6,737	L1	807	M2544T
EM2544T-CI	13,61	7,114	L1	857	
EM2546T	13,61	5,328	L1	463	M2546T
EM2547T	13,61	5,532	L1	698	M2547T
EM2547T-12	13,61	5,648	L1	698	
EM2547T-5	20,195	5,532	L1	726	M2547T-5
EM2547T-8	17,184	5,670	L1	615	M2547T-8
EM2547T-CI	13,61	6,029	L1	704	
EM2547TS-12	13,61	5,648	L1	698	
EM2548T	13,61	8,300	L1	850	
EM2548T-4CI	13,61	9,031	L1	1,127	
EM2549T	13,61	6,989	L1	507	M2549T
EM2550T	13,61	7,471	L1	810	M2550T
EM2551T	13,61	6,790	L1	808	M2551T
EM2551T-12	13,61	6,931	L1	808	
EM2551T-5	20,195	6,790	L1	808	
EM2551T-8	17,184	6,959	L1	808	EM4316T-8
EM2551T-CI	13,61	7,400	L1	727	
EM2551TS-12	13,61	6,931	L1	808	
EM2552T-4	13,61	10,055	L1	1,092	
EM2554T-4	13,61	9,376	L1	1,074	
EM2554T-4CI	13,61	11,187	L1	1,021	
EM25552-58	204	9,833	L1	1,100	

Catalog Number	Page Number	List Price	Mult Sym	Ship Wgt <sup>(1)</sup>	Alternate Cat Number <sup>(2)</sup>
EM25554-58	204	9,813	L1	1,185	
EM2555T-12	13,61	8,058	L1	898	
EM2555T-4	13,61	7,900	L1	898	
EM2555T-5	20,195	7,900	L1	898	
EM2555T-8	17,184	8,097	L1	1,114	
EM2555T-CI	13,61	8,610	L1	1,039	
EM2555TS-12	13,61	8,058	L1	898	
EM2556T-4	13,62	11,566	L1	831	
EM2557T-4	13,61	11,952	L1	1,535	M2557T-4
EM2558T-4	13,62	10,765	L1	1,405	M2558T-4
EM2558T-5	20,195	10,765	L1	1,405	
EM2558TS-4	13,62	10,765	L1	1,405	
EM2559T-4	13,61	9,691	L1	1,238	M2559T-4
EM2559T-4CI	13,61	10,562	L1	1,129	
EM2559T-5	20,195	9,691	L1	1,238	
EM2559TS-4	13,61	9,691	L1	1,238	
EM2560T-4	13,62	14,076	L1	1,620	M2560T-4
EM2562T-4	13,62	13,107	L1	1,326	M2562T-4
EM2563T-4	13,62	13,452	L1	1,496	EM2563T-4
EM2564T-4	13,62	18,503	L1	1,909	M2564T-4
EM2566T-4	13,62	15,085	L1	1,592	M3566T-4
EM2569T-4	13,62	19,771	L1	1,702	M2569T-4
EM25754-58	204	12,359	L1	569	
EM2583T-4	13,61	11,067	L1	1,349	M2583T
EM28752-58	204	12,454	L1	1,264	
EM28902-58	204	16,910	L1	1,421	
EM28904-58	204	16,635	L1	1,455	
EM31112-58	204	20,059	L1	1,592	
EM31114-58	204	19,469	L1	1,859	
EM31132-58	204	21,995	L1	1,662	
EM31134-58	204	21,686	L1	1,859	
EM3115	12,58	483	K	32	M3115
EM3116T	12,58	628	LS	36	M3116T
EM3116T-5	20,195	628	LS	33	
EM3116T-8	17,184	561	L1	36	M3116T-8
EM3116T-G	14,137	652	L1	36	
EM3120T	12,58	539	L1	36	M3120T
EM3154T	12,58	656	LS	44	M3154T
EM3154T-5	20,195	656	LS	40	
EM3154T-8	17,184	586	L1	42	M3154T-8
EM3154T-G	14,137	677	L1	44	
EM3155T	12,59	633	L1	40	EM3158T
EM3156T	12,58	641	L1	44	M3156T
EM3157T	12,59	703	LS	46	
EM3157T-5	20,195	703	LS	46	
EM3157T-8	17,184	629	L1	47	M3157T-8
EM3157T-G	14,137	718	L1	46	
EM3157TA	59	727	L1	41	

<sup>(1)</sup> Shipping weight is approximate.

<sup>(2)</sup> Baldor has suggested alternate products, however there may be slight differences in performance, efficiency, voltage range, dimensions and mounting. Customers should verify suitability of selected products for their specific application.

Catalog Number	Page Number	List Price	Mult Sym	Ship Wgt <sup>(1)</sup>	Alternate Cat Number <sup>(2)</sup>
EM3158T	12,59	641	L1	52	
EM3207T	12,58	750	L1	72	M3207T
EM3211T	12,59	758	LS	75	EM3661T
EM3211T-5	20,195	758	LS	66	EM3661T-5
EM3211T-8	17,184	678	L1	68	EM3661T-8
EM3211T-G	14,137	776	L1	75	
EM3211TA	12,59	852	L1	75	
EM3212T	12,59	700	L1	76	M3212T
EM3215T	12,59	767	L1	85	
EM3218T	12,59	830	LS	85	
EM3218T-5	20,195	830	LS	74	
EM3218T-8	17,184	742	L1	72	
EM3218T-G	14,137	839	L1	85	
EM3218TA	12,59	902	L1	85	
EM3219T	12,59	1,110	L1	89	M3219T
EM3305T	12,59	976	L1	117	M3305T
EM3309T	12,59	1,279	L1	126	M3309T
EM3311T	12,59	1,220	LS	117	EM3770T
EM3311T-5	20,195	1,220	LS	114	EM3770T-5
EM3311T-8	17,184	1,090	L1	116	M3311T-8
EM3311T-G	14,137	1,184	L1	117	
EM3312T	12,59	1,269	L1	130	M3312T
EM3313T	12,59	1,477	LS	128	EM3774T
EM3313T-5	20,195	1,477	LS	145	EM3774T-5
EM3313T-8	17,184	1,319	L1	148	EM3774T-8
EM3313T-G	14,137	1,408	L1	128	
EM3314T	12,60	1,803	L1	147	M3314T
EM3538	8,46	583	LS	32	
EM3545	8,47	565	K	33	EM3550
EM3546	8,47	652	LS	39	EM3554
EM3546T	8,47	623	LS	37	EM3581T
EM3546T-5	18,186	623	LS	38	ECP3581T-5
EM3546T-8	16,183	641	L1	39	
EM3546T-G	14,137	727	L1	37	
EM3550	8,47	598	K	41	M3550
EM3550T	8,47	640	L1	41	EM3583T
EM3550T-5	18,186	640	L1	41	
EM3554	8,47	724	LS	48	M3554
EM3554T	8,47	648	LS	48	EM3584T
EM3554T-5	18,186	648	LS	48	ECP3584T-5
EM3554T-8	16,183	666	L1	48	
EM3554T-G	14,137	751	L1	42	
EM3555	8,48	658	K	48	
EM3555T	8,48	701	L1	49	EM3586T
EM3555T-5	18,186	701	L1	49	
EM3556	8,47	741	K	57	
EM3556T	8,47	746	L1	39	
EM3556T-5	18,186	746	L1	39	

Catalog Number	Page Number	List Price	Mult Sym	Ship Wgt <sup>(1)</sup>	Alternate Cat Number <sup>(2)</sup>
EM3558	8,48	766	LS	49	
EM3558T	8,48	672	LS	49	EM3587T
EM3558T-5	18,186	672	LS	48	ECP3587T-5
EM3558T-8	16,183	690	L1	49	
EM3558T-G	14,137	775	L1	49	
EM3559T	8,48	786	L1	58	
EM3559T-5	18,186	786	L1	58	
EM3581T	8,47	805	L1	54	ECP3581T-4
EM3582T	8,47	902	L1	64	
EM3583T	8,47	851	L1	57	ECP3583T
EM3584T	8,47	835	L1	60	ECP3584T
EM3586T	8,48	894	L1	64	ECP3586T
EM3587T	8,48	875	L1	65	ECP3587T
EM3607T	8,47	872	L1	138	
EM3607T-5	18,186	872	L1	138	
EM3610T	8,48	777	L1	66	M3610T
EM3611T	8,48	742	LS	69	M3611T
EM3611T-5	18,186	742	LS	69	
EM3611T-G	14,137	856	L1	69	
EM3613T	8,48	862	L1	77	M3613T
EM3613T-5	18,187	862	L1	77	
EM3614T	8,48	914	L1	79	
EM3614T-5	18,186	914	L1	79	
EM3615T	8,48	812	LS	95	M3615T
EM3615T-5	18,187	812	LS	91	
EM3615T-G	14,137	926	L1	95	
EM3616T	8,49	1,137	L1	96	
EM3616T-5	18,187	1,137	L1	96	
EM3660T	8,48	966	L1	85	ECP3660T
EM3660T-8	16,183	990	L1	89	
EM3661T	8,48	1,139	LS	92	M3661T
EM3661T-5	18,186	1,139	LS	90	M3661T-5
EM3661T-8	16,183	1,018	L1	91	M3611T-8
EM3663T	8,48	1,189	L1	99	M3663T
EM3663T-8	16,183	1,218	L1	97	
EM3664T	8,48	1,090	L1	109	ECP3664T
EM3665T	8,48	994	L1	114	ECP3665T
EM3665T-5	18,187	994	L1	109	ECP3665T-5
EM3665T-8	16,183	1,019	L1	109	
EM3667T	8,47	1,073	L1	100	ECP3667T
EM3704T	8,48	1,189	L1	132	
EM3704T-5	18,186	1,189	L1	132	
EM3708T	8,48	1,343	L1	138	M3708T
EM3708T-5	18,187	1,343	L1	138	
EM3709T	8,49	1,291	L1	126	M3709T
EM3709T-5	18,187	1,291	L1	126	
EM3710T	8,49	1,171	LS	125	M3710T
EM3710T-5	18,187	1,171	LS	148	

<sup>(1)</sup> Shipping weight is approximate.

<sup>(2)</sup> Baldor has suggested alternate products, however there may be slight differences in performance, efficiency, voltage range, dimensions and mounting. Customers should verify suitability of selected products for their specific application.

Gearmotors and Gear Products

PT Components

Motor Accessories

Grinders

Gearmotors

Servo Motors and Controls

Mod Express

Baldor Education Workshop

Classifications and Sales Offices

EISA Reference Table & Index

Catalog Number	Page Number	List Price	Mult Sym	Ship Wgt <sup>(1)</sup>	Alternate Cat Number <sup>(2)</sup>
EM3710T-G	14,137	1,289	L1	125	
EM3711T	8,49	1,309	L1	154	M3711T
EM3711T-5	18,187	1,309	L1	154	
EM3713T	9,49	1,847	L1	175	
EM3713T-5	18,187	1,847	L1	175	
EM3714T	8,49	1,322	LS	158	M3714T
EM3714T-5	18,187	1,322	LS	153	
EM3714T-G	14,137	1,440	L1	158	
EM3764T	8,48	1,358	L1	175	ECP3764T
EM3768T	8,48	1,576	L1	193	ECP3768T
EM3769T	8,49	1,376	L1	165	M3769T
EM3769T-8	16,183	1,410	L1	173	EM3771T-8
EM3770T	8,49	1,326	L1	170	ECP3770T
EM3770T-5	18,187	1,326	L1	178	ECP3770T-5
EM3770T-8	16,183	1,358	L1	170	
EM3771T	8,49	1,613	L1	185	M3771T
EM3771T-8	16,183	1,653	L1	203	
EM3774T	8,49	1,487	L1	231	ECP3774T
EM3774T-5	18,187	1,487	L1	201	ECP3774T-5
EM3774T-8	16,183	1,525	L1	231	
EM4100T	9,49	3,421	L1	421	ECP4100T
EM4102T	9,49	4,555	L1	455	ECP4102T
EM4103T	9,50	3,231	LS	398	ECP4103T
EM4103T-12	9,50	3,299	L1	398	
EM4103T-5	18,187	3,231	LS	398	
EM4103T-8	16,183	3,321	L1	407	M4103T-8
EM4103T-G	14,137	3,408	L1	398	
EM4104T	9,50	3,833	LS	433	ECP4104T
EM4104T-12	9,50	3,841	L1	433	
EM4104T-5	18,187	3,833	LS	451	ECP4104T-5
EM4104T-8	16,183	3,941	L1	426	M4104T-8
EM4104T-G	14,137	4,009	L1	433	
EM4106T	9,49	2,439	L1	258	
EM4106T-5	18,187	2,439	L1	258	M4106T-5
EM4106T-8	16,183	2,499	L1	285	
EM4107T	9,50	3,182	L1	383	M4107T
EM4107T-5	18,187	3,182	L1	398	M4107T-5
EM4107T-8	16,183	3,260	L1	382	M4107T-8
EM4108T	9,50	3,781	L1	382	M4108T
EM4108T-5	18,187	3,781	L1	418	M4108T-5
EM4108T-8	16,183	3,875	L1	407	
EM4109T	9,50	5,182	L1	502	M4109T
EM4109T-5	18,187	5,182	L1	549	M4109T-5
EM4110T	9,50	5,012	LS	602	ECP4110T
EM4110T-12	9,50	5,121	L1	602	
EM4110T-5	18,187	5,012	LS	600	
EM4110T-8	16,183	5,154	L1	604	M4110T-8
EM4110T-G	14,137	5,212	L1	602	

Catalog Number	Page Number	List Price	Mult Sym	Ship Wgt <sup>(1)</sup>	Alternate Cat Number <sup>(2)</sup>
EM4111T	9,50	5,154	L1	522	ECP4111T
EM4114T	9,50	5,669	L1	578	M4114T
EM4114T-5	18,187	5,669	L1	578	M4114T-5
EM4115T	9,50	5,477	LS	676	M4115T
EM4115T-12	9,50	5,588	L1	676	
EM4115T-5	18,187	5,477	LS	632	
EM4115T-8	16,183	5,632	L1	632	M4115T-8
EM4115T-G	14,137	5,676	L1	676	
EM4115TS	9,50	5,538	L1	676	
EM4117T	9,50	5,954	L1	606	M4117T
EM4118T	9,50	2,844	L1	299	
EM4308T	9,50	7,419	L1	834	M4308T
EM4310T	9,50	7,964	L1	816	M4310T
EM4312T	9,50	8,965	L1	858	M4312T
EM4313T	9,51	9,265	L1	878	M4313T
EM4314T	9,50	7,881	LS	814	M4314T
EM4314T-12	9,50	8,056	L1	873	
EM4314T-5	18,187	7,881	LS	808	
EM4314TS	9,50	7,881	L1	873	
EM4316T	9,51	9,215	LS	908	M4316T
EM4316T-12	9,51	9,430	L1	913	
EM4316T-5	18,187	9,215	LS	889	
EM4316TS	9,51	9,215	L1	913	
EM4400T	9,51	11,444	LS	1,243	
EM4400T-12	9,51	11,422	L1	1,323	
EM4400T-5	18,187	11,444	LS	1,201	
EM4400TS	9,51	11,444	L1	1,323	
EM4402T-4	9,51	11,846	L1	1,288	
EM4403T	9,50	10,882	L1	1,214	M4403T
EM4404T	9,51	12,672	L1	1,213	M4404T
EM4406T-4	9,51	16,296	LS	1,672	
EM4406T-5	18,187	16,296	LS	1,672	
EM4406TS-4	9,51	16,296	L1	1,932	
EM4407T-4	9,51	20,386	L1	2,417	
EM4407TR-4	9,51	20,443	L1	1,875	
EM4407TS-4	9,51	20,386	L1	2,417	
EM4409T-4	9,51	15,294	L1	1,779	
EM4410T-4	9,51	14,167	LS	1,449	
EM4410T-5	18,187	14,167	LS	1,466	
EM4410TS-4	9,51	14,167	L1	1,800	
EM4411T-4	9,51	17,993	L1	1,881	
EM4412T-4	9,51	14,642	L1	1,711	
EM4413T-4	9,51	17,228	L1	1,933	
EM44156T-4	9,51	20,609	L1	2,300	
EM4416T-4	9,51	20,648	L1	1,995	
EM44206T-4	9,51	25,427	L1	2,809	
EM7013T-I	111	1,144	SD	45	
EM7014T	28,102	1,116	L1	49	

<sup>(1)</sup> Shipping weight is approximate.

<sup>(2)</sup> Baldor has suggested alternate products, however there may be slight differences in performance, efficiency, voltage range, dimensions and mounting. Customers should verify suitability of selected products for their specific application.

Catalog Number	Page Number	List Price	Mult Sym	Ship Wgt <sup>(1)</sup>	Alternate Cat Number <sup>(2)</sup>
EM7014T-5	108,197	1,280	LS	49	
EM7014T-I	111	1,126	SD	49	
EM7018T	28,102	1,021	L1	47	
EM7018T-5	108,197	1,021	L1	47	
EM7018T-I	111	1,135	SD	47	
EM7020T	28,102	1,718	L1	96	
EM7020T-I	111	1,718	SD	96	
EM7026T	28,102	1,308	L1	70	
EM7026T-I	111	1,422	SD	70	
EM7032T	28,102	1,248	L1	55	
EM7032T-I	111	1,248	SD	55	
EM7034T	28,102	1,156	L1	56	
EM7034T-5	108,197	1,326	LS	56	
EM7034T-I	111	1,166	SD	56	
EM7036T	28,102	1,929	L1	152	
EM7036T-I	111	1,929	SD	152	
EM7037T	28,102	1,261	L1	61	
EM7037T-5	108,197	1,446	LS	61	
EM7037T-I	111	1,271	SD	61	
EM7040T	28,103	2,529	L1	172	
EM7040T-I	111	2,529	SD	172	
EM7041T	28,102	1,770	L1	109	
EM7041T-I	111	1,770	SD	109	
EM7042T	28,102	1,340	L1	90	
EM7042T-5	108,197	1,340	L1	90	
EM7042T-I	111	1,341	SD	90	
EM7042T-I-5	111,199	1,341	SD	90	
EM7044T	28,103	1,660	L1	105	
EM7044T-5	108,197	1,660	L1	105	
EM7044T-I	111	1,663	SD	105	
EM7044T-I-5	111,199	1,663	SD	105	
EM7045T	28,103	2,122	L1	172	
EM7045T-I	111	2,122	SD	172	
EM7047T	28,103	2,204	L1	178	
EM7047T-5	108,197	2,204	L1	178	
EM7047T-I	111	2,050	SD	178	
EM7047T-I-5	111,199	2,050	SD	178	
EM7048T	28,103	2,994	L1	392	
EM7048T-I	111	2,994	SD	392	
EM7053T	29,103	2,822	L1	305	
EM7053T-I	112	2,822	SD	305	
EM7054T	29,103	3,307	L1	370	
EM7054T-5	108,197	3,791	LS	370	
EM7054T-C	29,103	3,388	L1	370	
EM7054T-I	112	3,320	SD	370	
EM7054T-I-5	112,199	3,320	SD	370	
EM7056T	29,103	4,285	L1	393	
EM7056T-5	108,197	4,913	LS	393	

Catalog Number	Page Number	List Price	Mult Sym	Ship Wgt <sup>(1)</sup>	Alternate Cat Number <sup>(2)</sup>
EM7056T-C	29,103	4,375	L1	393	
EM7056T-I	112	4,156	SD	393	
EM7056T-I-5	112,199	4,156	SD	393	
EM7057T	29,103	5,803	L1	450	
EM7057T-I	112	5,803	SD	450	
EM7058T	29,104	5,199	L1	542	
EM7058T-5	108,197	5,960	LS	542	
EM7058T-C	29,104	5,300	L1	564	
EM7058T-I	112	5,218	SD	542	
EM7058T-I-5	112,199	5,218	SD	542	
EM7059T	29,103	3,619	L1	395	
EM7059T-I	112	3,619	SD	395	
EM7060T	29,104	6,338	L1	567	
EM7060T-5	108,197	7,266	L1	567	
EM7060T-C	29,104	6,443	L1	589	
EM7060T-I	112	6,363	SD	567	
EM7060T-I-5	112,199	6,363	SD	567	
EM7062T	29,104	8,494	L1	767	
EM7062T-5	108,197	9,738	LS	767	
EM7062T-C	29,104	8,609	L1	834	
EM7062T-I	112	8,527	SD	767	
EM7062T-I-5	112,199	8,527	SD	767	
EM7063T	29,104	4,817	L1	530	
EM7063T-I	112	4,817	SD	530	
EM7064T	29,104	11,326	LS	783	
EM7064T-C	29,104	9,996	L1	851	
EM7064T-I	112	9,919	SD	790	
EM7064T-I-5	112,199	9,919	SD	790	
EM7065T	28,103	3,600	L1	370	
EM7065T-I	112	3,600	SD	370	
EM7066T	29,104	12,670	LS	965	
EM7066T-C	29,104	11,174	L1	989	
EM7066T-I	113	11,215	SD	965	
EM7066T-I-5	113,199	11,215	SD	965	
EM7067T	29,104	7,552	L1	740	
EM7067T-I	112	7,552	SD	740	
EM7068T	29,104	13,345	L1	1,065	
EM7068T-I	113	11,675	SD	1,065	
EM7068T-I-5	113,199	11,675	SD	1,065	
EM7070T	28,103	2,462	L1	175	
EM7071T	28,102	1,045	L1	56	
EM7071T-5	108,197	1,045	L1	56	
EM7071T-I	111	1,241	SD	56	
EM7072T	28,103	1,538	L1	100	
EM7072T-5	108,197	1,538	L1	100	
EM7072T-I	111	1,766	SD	100	
EM7073T	28,103	2,018	L1	105	
EM7074T	28,103	2,392	L1	175	

<sup>(1)</sup> Shipping weight is approximate.

<sup>(2)</sup> Baldor has suggested alternate products, however there may be slight differences in performance, efficiency, voltage range, dimensions and mounting. Customers should verify suitability of selected products for their specific application.

Gearmotors and Gear Products  
 PT Components  
 Motor Accessories  
 Grinders  
 Gearmotors  
 Servo Motors and Controls  
 Mod Express  
 Baldor Education Workshop  
 Classifications and Sales Offices  
 EISA Reference Table & Index

Catalog Number	Page Number	List Price	Mult Sym	Ship Wgt <sup>(1)</sup>	Alternate Cat Number <sup>(2)</sup>
EM7075T	28,102	1,238	L1	77	
EM7079T	29,103	5,958	L1	540	
EM7079T-I	112	5,958	SD	540	
EM7080T	29,104	8,219	L1	750	
EM7080T-I	112	8,219	SD	750	
EM7081T	29,104	9,670	L1	724	
EM7081T-I	112	9,670	SD	724	
EM7082T	29,104	7,450	L1	740	
EM7082T-I	112	7,450	SD	740	
EM7083T	29,104	5,662	L1	560	
EM7083T-I	112	5,662	SD	560	
EM7084T	29,104	9,526	L1	910	
EM7084T-I	112	9,526	SD	910	
EM7085T	29,104	10,751	L1	950	
EM7085T-I	112	10,751	SD	950	
EM7086T	29,104	12,828	L1	1,300	
EM7086T-I	113	12,562	SD	1,300	
EM7087T	29,104	14,352	L1	1,335	
EM7087T-I	113	14,352	SD	1,335	
EM7090T	29,104	15,498	L1	1,335	
EM7090T-I	113	14,973	SD	1,335	
EM7090T-I-5	113,199	14,973	SD	1,335	
EM7114T	28,102	1,536	L1	85	
EM7114T-C	28,102	1,273	L1	85	
EM7120T	28,102	1,910	L1	136	
EM7126T	28,102	1,759	L1	130	
EM7134T	28,102	1,556	L1	92	
EM7134T-C	28,102	1,303	L1	85	
EM7137T	28,102	1,638	L1	92	
EM7137T-C	28,102	1,339	L1	91	
EM7142T	28,102	1,636	L1	139	
EM7142T-C	28,102	1,448	L1	136	
EM7144T	28,103	2,051	L1	152	
EM7144T-C	28,103	1,746	L1	152	
EM7145T	28,103	2,379	L1	162	
EM7147T	28,103	2,430	L1	192	
EM7147T-C	28,103	2,184	L1	225	
EM7170T	28,103	3,114	LS	251	
EM7170T-5	108,197	2,767	L1	251	
EM7170T-C	28,103	3,035	L1	252	
EM7170T-I	112	2,767	SD	251	
EM7170T-I-5	112,199	2,767	SD	251	
EM7172T	28,103	2,062	L1	155	
EM7174T	28,103	2,496	L1	188	
EM7174T-I	112	2,496	SD	188	
EM7310T-I	113	10,386	SD	984	
EM7313T-I	113	11,687	SD	964	
EM74124T-4	29,104	18,111	L1	1,908	

Catalog Number	Page Number	List Price	Mult Sym	Ship Wgt <sup>(1)</sup>	Alternate Cat Number <sup>(2)</sup>
EM74154T-4	29,104	20,240	L1	2,048	
EM74204T-4	29,104	28,930	L1	2,417	
EM7536T-I	31,110	1,996	SD	152	
EM7540T-I	31,110	2,618	SD	172	
EM7542T-I	31,110	1,389	SD	90	
EM7544T-I	31,110	1,721	SD	105	
EM7547T-I	31,110	2,122	SD	178	
EM7548T-I	31,110	3,099	SD	392	
EM7554T-I	31,110	3,436	SD	370	
EM7556T-I	31,110	4,302	SD	393	
EM7558T-I	31,110	5,400	SD	542	
EM7559T-I	31,110	3,746	SD	395	
EM7560T-I	31,110	6,595	SD	567	
EM7562T-I	31,110	8,825	SD	767	
EM7564T-I	31,110	10,267	SD	790	
EM7565T-I	31,110	3,726	SD	370	
EM7566T-I	31,110	11,608	SD	984	
EM7568T-I	31,110	12,083	SD	973	
EM7572T-I	31,110	1,827	SD	100	
EM7574T-I	31,110	2,583	SD	190	
EM7585T-I	31,110	11,127	SD	950	
EM7587T-I	31,110	14,855	SD	1,335	
EM7590T-I	31,110	15,497	SD	1,404	
EM7596T-I	31,110	20,908	SD	2,048	
EM7599T-I	31,110	18,402	SD	1,860	
EM7600T-I	31,110	18,709	SD	1,908	
EM7670T-I	31,110	2,865	SD	251	
EM8003T	84	1,014	SD	47	
EM8004T	84	998	SD	49	
EM8005T	84	1,066	SD	52	
EM8006T	84	1,269	SD	74	
EM8007T	84	1,392	SD	100	
EM8008T	84	1,622	SD	135	
EM8009T	84	2,092	SD	168	
EM8010T	84	2,854	SD	255	
EMM2333	206	1,958	L1	255	
EMM2334	206	2,377	L1	322	
EMM3554	206	676	L1	48	
EMM3555	206	646	L1	56	
EMM3558	206	690	K	56	
EMM3559	206	776	L1	64	
EMM3611	206	775	L1	65	
EMM3613	206	787	L1	73	
EMM3615	206	841	L1	91	
EMM3709	206	1,187	L1	121	
EMM3710	206	1,203	L1	127	
EMM3711	206	1,245	L1	139	
EMM3714	206	1,361	L1	165	

<sup>(1)</sup> Shipping weight is approximate.

<sup>(2)</sup> Baldor has suggested alternate products, however there may be slight differences in performance, efficiency, voltage range, dimensions and mounting. Customers should verify suitability of selected products for their specific application.



Catalog Number	Page Number	List Price	Mult Sym	Ship Wgt <sup>(1)</sup>	Alternate Cat Number <sup>(2)</sup>
EMM4103	206	3,125	L1	422	
EMM4104	206	3,689	L1	437	
EMM4110	206	4,834	L1	570	
EMM5650	200	462	K	28	
EMM5650-5	201	462	K	28	
EMM5700	200	480	K	36	
EMM5700-5	201	480	K	36	
EMM5750	200	496	K	39	
EMM5750-5	201	496	K	39	
EMVM5650C-5	202	493	K	28	
EMVM5650D-5	201	504	K	29	
EMVM5700C-5	202	535	K	36	
EMVM5700D-5	201	550	K	37	
EMVM5750C-5	202	550	K	39	
EMVM5750D-5	201	564	K	40	
ENC00NV	323	1,876	E8	2	
ENC00NV-A2	236	1,400	E8	1	
ENC00NV-B1	236	1,400	E8	2	
ENC00NV-D1	236	1,575	E8	4	
ENC01BC-B1	236	1,400	E8	3	
ENC01BC-D1	236	1,575	E8	4	
ENC01NV-A2	236	1,400	E8	1	
ENC01NV-B2	236	1,400	E8	4	
ENC01NV-D1	236	1,575	E8	4	
ENC02BC-A2	236	1,400	E8	1	
ENC02BC-B2	236	1,400	E8	2	
ENC02BC-D1	236	1,575	E8	4	
ENCP3580T-4	21,66	876	SD	56	
ENCP3581T-4	21,66	958	SD	60	
ENCP83580T-4	74	876	SD	38	
ENCP83581T-4	74	958	SD	62	
ERHM3162TA	144	1,003	L1	55	
ERM3158TA	140	702	K	52	
EWDM3546T	32,88	817	WD	42	
EWDM3554T	32,88	898	WD	47	
EWDM3558T	32,88	1,054	WD	49	
EWDM3611T	32,88	1,316	WD	72	
EWDM3615T	32,88	1,498	WD	93	
EWDM3710T	32,88	1,875	WD	134	
EWDM3714T	32,88	2,043	WD	158	
EXB003A04	301	295	E8	1	
EXB003A05	301	295	E8	1	
EXB004A01	301	542	E8	1	
EXB005A01	301	461	E8	1	
EXB006A01	301	567	E8	1	
EXB007A02	302	749	E8	2	
EXB008A01	302	791	E8	1	
EXB010A01	302	461	E8	2	

Catalog Number	Page Number	List Price	Mult Sym	Ship Wgt <sup>(1)</sup>	Alternate Cat Number <sup>(2)</sup>
EXB012A01	302	295	E8	1	
EXB013A01	302	774	E8	1	
EXB014A01	302	932	E8	1	
EXB015A01	302	1,114	E8	1	
EXBHH001A01	290	163	EC	1	
EXBHH003A01	290	211	EC	1	
EXBHH005A01	290	330	EC	1	
EXBHH007A01	290	539	EC	2	
EXBHH013A02	290	558	EC	1	
EXBHH014A01	290	670	EC	3	
EXBHH015A01	290	575	EC	1	
EXBHH016A01	290	548	EC	1	
EXBHH017A01	290	575	EC	1	
EXBHH019A01	290	558	EC	1	
FBRK115230	176	114	A8	1	
FBRK230460	176	125	A8	1	
FCD34	400	82	A8	1	
FCD35	400	115	A8	1	
FCD36	400	100	A8	2	
FCD37	400	121	A8	3	
FCD39	400	162	A8	3	
FCD40	400	173	A8	12	
FCD42	400	186	A8	5	
FDL3501M	151	368	K	23	L3501M
FDL3504M	151	432	K	28	L3504M
FDL3507M	151	509	K	38	
FDL3510M	151	578	K	40	L3510M
FDL3510TM	151	578	L1	38	L3510TM
FDL3514M	151	652	K	48	L3514M
FDL3514TM	151	652	L1	48	L3514TM
FDL3516TM	151	927	K	51	L3516TM
FDL3610M	151	1,272	L1	89	
FDL3610TM	151	1,241	L1	93	FDL3619TM
FDL3611M	151	1,069	L1	75	L3605M
FDL3611TM	151	1,041	L1	75	L3605TM
FDL3612TM	151	1,304	L1	99	
FDL3619TM	151	996	L1	81	FDL3610TM
FDL3712TM	151	1,868	L1	160	
FDL3731M	151	1,601	L1	125	FDL3732M
FDL3732M	151	1,847	L1	142	
FDL3733TM	151	1,698	L1	139	DEL3733TM
FDL3737TM	151	1,990	L1	162	DEL3737TM
FFC05	400	162	A8	6	
FFC06	400	173	A8	10	
FFC07WB	400	257	A8	19	
FFC09WB	400	353	A8	28	
FL13HK	395	96	A8	6	
FL15HK	395	103	A8	6	

<sup>(1)</sup> Shipping weight is approximate.

<sup>(2)</sup> Baldor has suggested alternate products, however there may be slight differences in performance, efficiency, voltage range, dimensions and mounting. Customers should verify suitability of selected products for their specific application.

Gearmotors and Gear Products

PT Components

Motor Accessories

Grinders

Gearmotors

Servo Motors and Controls

Mod Express

Baldor Education Workshop

Classifications and Sales Offices

EISA Reference Table & Index

Catalog Number	Page Number	List Price	Mult Sym	Ship Wgt <sup>(1)</sup>	Alternate Cat Number <sup>(2)</sup>
FL18HK	395	107	A8	6	
FL21HK	395	120	A8	3	
FL24HK	395	171	A8	4	
FL26HK	395	184	A8	6	
FL30HK	395	191	A8	6	
FL32HK	395	198	A8	12	
FL38HK	395	205	A8	12	
FLT3210-250	322	691	A8	2	
FLT4280	322	691	A8	9	
FLT6320-400	322	691	A8	9	
FLT8500	322	843	A8	9	
FM2513T	165	1,378	L1	170	EFM2513T
FM2513T-8	185	1,412	L1	162	EFM2513T-8
FM2515T	165	1,774	L1	220	EFM2515T
FM2515T-8	185	1,818	L1	191	EFM2515T-8
FM2531T	165	2,150	L1	226	EFM2531T
FM2535T	165	2,514	L1	248	EFM2535T
FM2539T	165	3,205	L1	378	EFM2539T
FM2543T	165	3,762	L1	371	EFM2543T
FM3112-8	185	343	K	25	
FM3211T	165	475	L1	54	EFM3211T
FM3218T	165	525	L1	68	EFM3218T
FM3311T	165	744	L1	98	EFM3311T
FM3311T-8	185	763	L1	97	EFM3311T-8
FM3313T	165	912	L1	114	EFM3313T
FM3313T-8	185	934	L1	107	EFM3313T-8
FM3558T	165	454	L1	42	
FM3611T	165	536	L1	70	
FM3615T	165	617	L1	74	
FM3710T	165	788	L1	110	
FM3714T	165	957	L1	131	
FVB3180	322	1,302	A8	18	
FVB3210	322	1,302	A8	22	
FVB3250	322	1,302	A8	19	
FVB4280	322	1,592	A8	38	
FVB6320	322	1,854	A8	46	
FVB6400	322	2,029	A8	59	
FVB8500	322	2,402	A8	79	
FVB95010	322	4,139	A8	171	
GA10	466	51	A8	1	
GA11	466	56	A8	2	
GA13	466	43	A8	2	
GA14	466	306	A8	64	
GA14R	465	306	A8	64	
GA16	466	406	A8	62	
GA16E	466	264	A8	36	
GA16R	465	406	A8	62	
GA16RE	465	264	A8	36	

Catalog Number	Page Number	List Price	Mult Sym	Ship Wgt <sup>(1)</sup>	Alternate Cat Number <sup>(2)</sup>
GA20	466	667	A8	125	
GA20E	466	306	A8	54	
GA20RE	465	306	A8	54	
GA24	466	44	A8	1	
GA25	466	44	A8	9	
GA3	466	69	A8	7	
GA4	466	70	A8	6	
GA7	463	84	A8	1	
GA8	463	140	A8	1	
GA9	466	171	A8	5	
GA9-1	466	94	A8	3	
GA9R	465	171	A8	5	
GA9S	466	190	A8	6	
GA9SR	465	190	A8	5	
GC24003	344	354	DS	7	
GC24208	346	471	DS	10	GC24312
GC24302	345	439	DS	10	GC24316
GC24306	345	439	DS	10	GC24318
GC24307	349	469	DS	11	
GC24308	349	469	DS	11	GC25004
GC24309	349	469	DS	11	GC25007
GC24310	345	439	DS	10	GC24320
GC24311	349	469	DS	11	GC25008
GC24312	347	602	DS	10	
GC24314	347	602	DS	10	
GC24316	350	471	DS	13	
GC24318	350	471	DS	13	GC25010
GC24320	350	471	DS	13	GC25015
GC24322	350	471	DS	10	GC25020
GC25004	349	554	DS	16	GC25009
GC25005	351	561	DS	16	GC25008
GC25006	349	554	DS	16	GC25011
GC25007	349	554	DS	16	GC25012
GC25008	349	554	DS	16	GC25014
GC25009	349	554	DS	15	GC3320
GC25010	351	561	DS	16	GC24309
GC25011	349	554	DS	15	
GC25012	349	554	DS	15	GC3321
GC25014	349	554	DS	15	GC3322
GC25015	351	561	DS	16	GC25011
GC25020	351	561	DS	16	GC25009
GC25060	348	769	DS	15	
GC25080	348	769	DS	15	
GC25120	348	769	DS	15	
GC25190	348	769	DS	15	
GC25280	348	769	DS	15	
GC3320	349	612	DS	15	GC3326
GC3321	349	612	DS	15	GC3327

<sup>(1)</sup> Shipping weight is approximate.

<sup>(2)</sup> Baldor has suggested alternate products, however there may be slight differences in performance, efficiency, voltage range, dimensions and mounting. Customers should verify suitability of selected products for their specific application.

Catalog Number	Page Number	List Price	Mult Sym	Ship Wgt <sup>(1)</sup>	Alternate Cat Number <sup>(2)</sup>
GC3322	349	612	DS	15	GC3328
GC3324	349	612	DS	15	GC3329
GC3325	351	612	DS	26	
GC3326	349	612	DS	21	GC3320
GC3327	349	612	DS	21	GC3321
GC3328	349	612	DS	21	GC3322
GC3329	349	612	DS	21	GC3324
GC3330	351	612	DS	26	
GCF2X01AA	392	436	GB	19	
GCF2X02BB	392	526	GB	22	
GCF3X01AA	392	436	GB	19	
GCF3X02BB	392	526	GB	22	
GCF4X01AA	392	436	GB	19	
GCF4X02BB	392	526	GB	22	
GCF5X01AA	392	436	GB	19	
GCF5X02AB	392	526	GB	22	
GCF5X02BB	392	526	GB	22	
GCP24002	365	725	DS	15	
GCP24004	365	725	DS	15	
GCP24005	363	443	DS	10	
GCP24007	363	443	DS	10	
GCP24010	363	443	DS	10	
GCP24013	363	443	DS	10	
GCP24017	363	443	DS	10	
GCP24020	365	782	DS	15	
GCP24022	365	701	DS	15	
GCP24026	363	473	DS	10	
GCP24037	363	473	DS	10	
GCP24050	363	473	DS	10	
GCP24072	363	513	DS	10	
GCP24100	363	513	DS	10	
GCP24114	363	486	DS	10	GCP24004
GCP24122	363	490	DS	10	GCP24002
GCP24124	363	490	DS	10	GCP24234
GCP24134	363	471	DS	10	GCP25054
GCP24136	363	471	DS	10	GCP25056
GCP24138	363	471	DS	10	GCP25058
GCP24140	363	471	DS	10	GCP25060
GCP24142	363	471	DS	10	GCP25062
GCP24186	363	495	DS	10	
GCP24232	364	565	DS	14	GCP24022
GCP24234	364	534	DS	14	GCP25002
GCP24362	363	519	DS	10	
GCP24369	363	519	DS	10	
GCP24702	363	519	DS	10	
GCP25002	365	760	DS	18	
GCP25004	365	760	DS	18	GCP3305
GCP25005	365	715	DS	24	

Catalog Number	Page Number	List Price	Mult Sym	Ship Wgt <sup>(1)</sup>	Alternate Cat Number <sup>(2)</sup>
GCP25006	365	733	DS	18	GCP3310
GCP25008	365	733	DS	18	GCP3315
GCP25010	365	733	DS	18	GLP3338
GCP25011	365	715	DS	24	
GCP25015	365	715	DS	24	
GCP25019	365	715	DS	24	
GCP25029	365	760	DS	24	
GCP25036	365	760	DS	24	
GCP25052	364	539	DS	14	
GCP25054	364	539	DS	14	GCP25004
GCP25056	364	512	DS	14	GCP25006
GCP25058	364	512	DS	14	
GCP25060	364	512	DS	14	GCP25008
GCP25062	364	512	DS	14	GCP25010
GCP25082	365	740	DS	15	
GCP25102	365	740	DS	15	
GCP25216	365	740	DS	15	
GCP25658	365	695	DS	15	
GCP3305	365	769	DS	24	GLP3330
GCP3310	365	741	DS	24	GLP3328
GCP3315	365	741	DS	24	GLP3336
GDL1605T	152	1,431	L1	98	
GDL1607T	152	1,882	L1	161	
GDL1610T	152	2,178	L1	164	
GDL1615T	152	3,240	L1	288	
GDM2333T	152	2,493	L1	231	
GDM2334T	152	2,669	L1	322	
GDM2513T	152	1,675	L1	172	
GDM2515T	152	2,206	L1	165	
GDM2531T	152	2,710	L1	329	
GDM2535T	152	3,152	L1	351	
GDM3218T	152	791	L1	69	
GDM3311T	152	1,123	L1	92	
GDM3313T	152	1,361	L1	129	
GDM3611T	152	793	L1	59	
GDM3615T	152	918	L1	77	
GDM3710T	152	1,169	L1	115	
GDM3714T	152	1,886	L1	139	
GDM4103T	152	3,798	L1	322	
GDM4104T	152	4,485	L1	322	
GDM4110T	152	5,956	L1	485	
GDM4115T	152	6,169	L1	552	
GF0513AG	371	479	GB	20	GF0515AG
GF0513AGA10	387	982	GB	58	
GF0513AGA25	383	774	GB	40	
GF0513AGA33	384	807	GB	42	
GF0513AGA50	385	862	GB	47	
GF0513AGA75	386	918	GB	54	

(1) Shipping weight is approximate.

(2) Baldor has suggested alternate products, however there may be slight differences in performance, efficiency, voltage range, dimensions and mounting. Customers should verify suitability of selected products for their specific application.

Gearmotors and Gear Products

PT Components

Motor Accessories

Grinders

Generators

Servo Motors and Controls

Mod Express

Baldor Education Workshops

Classifications and Sales Offices

EISA Reference Table & Index

Gearmotors and Gear Products

PT Components

Motor Accessories

Grinders

Gearmotors

Servo Motors and Controls

Mod Express

Baldor Education Workshop

Classifications and Sales Offices

EISA Reference Table & Index

Catalog Number	Page Number	List Price	Mult Sym	Ship Wgt <sup>(1)</sup>	Alternate Cat Number <sup>(2)</sup>
GF0513AGB10	387	879	GB	50	
GF0513AGB25	383	769	GB	39	
GF0513AGB33	384	793	GB	42	
GF0513AGB50	385	839	GB	43	
GF0513AGB75	386	862	GB	45	
GF0513AGC10	387	1,546	GB	64	
GF0513AGC25	383	1,091	GB	44	
GF0513AGC33	384	1,125	GB	47	
GF0513AGC50	385	1,202	GB	52	
GF0513AGC75	386	1,357	GB	59	
GF0513AGD10	387	1,546	GB	64	
GF0513AGD25	383	1,091	GB	44	
GF0513AGD33	384	1,125	GB	47	
GF0513AGD50	385	1,202	GB	51	
GF0513AGD75	386	1,357	GB	59	
GF0513AJ	371	479	GB	20	GF0513AG
GF0515AG	371	512	GB	25	GF0518AG
GF0515AH	371	543	GB	25	
GF0515BG	371	512	GB	25	GF0518BG
GF0518AG	371	525	GB	30	
GF0518AGA15	388	1,095	GB	77	
GF0518AGB15	388	974	GB	64	
GF0518BG	371	525	GB	30	
GF0518BGD15	388	2,492	GB	97	
GF0521BG	371	657	GB	35	GF05G21BG
GF0521BJ	371	657	GB	35	GF0521BG
GF0524CG	371	775	GB	40	
GF0526CG	371	899	GB	55	GF0530CG
GF0530CG	371	1,222	GB	68	
GF0538DH	371	1,710	GB	126	
GF1013AG	371	479	GB	20	GF1015AG
GF1013AGA25	383	774	GB	40	
GF1013AGA33	384	807	GB	42	
GF1013AGA50	385	862	GB	47	
GF1013AGA75	386	918	GB	54	
GF1013AGB25	383	769	GB	39	
GF1013AGB33	384	793	GB	42	
GF1013AGB50	385	839	GB	43	
GF1013AGB75	386	862	GB	45	
GF1013AGC25	383	1,091	GB	44	
GF1013AGC33	384	1,125	GB	47	
GF1013AGC50	385	1,202	GB	52	
GF1013AGC75	386	1,357	GB	59	
GF1013AGD25	383	1,091	GB	44	
GF1013AGD33	384	1,125	GB	47	
GF1013AGD50	385	1,202	GB	51	
GF1013AGD75	386	1,357	GB	59	
GF1013AH	371	507	GB	20	GF1015AH

Catalog Number	Page Number	List Price	Mult Sym	Ship Wgt <sup>(1)</sup>	Alternate Cat Number <sup>(2)</sup>
GF1013AJ	371	479	GB	20	GF1013AG
GF1015AG	371	512	GB	20	GF1018AG
GF1015AH	371	543	GB	25	GF1018AH
GF1015BG	371	512	GB	20	GF1018BG
GF1018AG	371	525	GB	30	GF1021AG
GF1018AGA10	387	1,028	GB	68	
GF1018AGA15	388	1,095	GB	77	
GF1018AGB10	387	925	GB	60	
GF1018AGB15	388	974	GB	64	
GF1018AGC10	387	1,592	GB	74	
GF1018AGD10	387	1,592	GB	74	
GF1018AH	371	556	GB	29	GF1021AH
GF1018AJ	371	525	GB	30	GF1021AJ
GF1018BG	371	525	GB	30	GF1021BG
GF1018BGD15	388	2,492	GB	97	
GF1021AG	371	657	GB	35	GF10G21AG
GF1021AH	372	692	GB	35	
GF1021AJ	371	657	GB	35	GF1021AH
GF1021BG	372	657	GB	35	GF1024BG
GF1024BG	372	775	GB	40	GF1026BG
GF1026BG	372	899	GB	55	
GF1026CG	372	899	GB	55	GF1030CG
GF1030CG	372	1,222	GB	68	
GF1032CG	372	1,325	GB	87	
GF1038DG	372	1,618	GB	126	
GF10G21AG	371	657	GB	30	
GF1513AG	372	479	GB	20	GF1515AG
GF1513AGA25	383	774	GB	40	
GF1513AGA33	384	807	GB	42	
GF1513AGB25	383	769	GB	39	
GF1513AGB33	384	793	GB	42	
GF1513AGC25	383	1,091	GB	44	
GF1513AGC33	384	1,125	GB	47	
GF1513AGD25	383	1,091	GB	44	
GF1513AGD33	384	1,125	GB	47	
GF1513AH	372	507	GB	20	GF1515AH
GF1513AJ	372	479	GB	20	GF1513AH
GF1515AG	372	512	GB	25	GF1518AG
GF1515AGA50	385	895	GB	52	
GF1515AGB50	385	872	GB	48	
GF1515AGC50	385	1,235	GB	57	
GF1515AGD50	385	1,235	GB	56	
GF1515AH	372	543	GB	25	GF1518AH
GF1518AG	372	525	GB	30	GF1521AG
GF1518AGA75	386	964	GB	64	
GF1518AGB75	386	908	GB	55	
GF1518AGC75	386	1,403	GB	69	
GF1518AGD75	386	1,403	GB	69	

(1) Shipping weight is approximate.

(2) Baldor has suggested alternate products, however there may be slight differences in performance, efficiency, voltage range, dimensions and mounting. Customers should verify suitability of selected products for their specific application.

Catalog Number	Page Number	List Price	Mult Sym	Ship Wgt <sup>(1)</sup>	Alternate Cat Number <sup>(2)</sup>
GF1518AH	372	556	GB	30	GF1521AH
GF1518AJ	372	525	GB	30	GF1518AH
GF1521AG	372	657	GB	35	GF1524AG
GF1521AGA10	387	1,160	GB	73	
GF1521AGB10	387	1,057	GB	65	
GF1521AGC10	387	1,724	GB	79	
GF1521AGD10	387	1,724	GB	79	
GF1521AH	372	692	GB	35	
GF1521AJ	372	657	GB	35	GF1524AJ
GF1521BG	372	657	GB	35	GF1524BG
GF1524AG	372	775	GB	40	
GF1524AGA15	388	1,345	GB	87	
GF1524AGB15	388	1,224	GB	74	
GF1524AJ	372	775	GB	40	
GF1524BG	372	775	GB	40	GF1526BG
GF1524BGD15	388	2,742	GB	107	
GF1526BG	372	899	GB	55	GF1532BG
GF1530CG	372	1,222	GB	68	GF1532CG
GF1532BG	372	1,325	GB	87	
GF1532CG	372	1,325	GB	87	GF1538CG
GF1538CG	372	1,618	GB	126	
GF2013AG	372	479	GB	20	GF2015AG
GF2013AGA25	383	774	GB	40	
GF2013AGA33	384	807	GB	42	
GF2013AGB25	383	769	GB	39	
GF2013AGB33	384	793	GB	42	
GF2013AGC25	383	1,091	GB	44	
GF2013AGC33	384	1,125	GB	47	
GF2013AGD25	383	1,091	GB	44	
GF2013AGD33	384	1,125	GB	47	
GF2013AH	372	507	GB	20	GF2015AH
GF2015AG	372	512	GB	25	GF2018AG
GF2015AH	372	543	GB	25	GF2018AH
GF2018AG	372	525	GB	30	GF2021AG
GF2018AGA50	385	908	GB	57	
GF2018AGA75	386	964	GB	64	
GF2018AGB50	385	885	GB	53	
GF2018AGB75	386	908	GB	55	
GF2018AGC50	385	1,248	GB	62	
GF2018AGC75	386	1,403	GB	69	
GF2018AGD50	385	1,248	GB	61	
GF2018AGD75	386	1,403	GB	69	
GF2018AH	372	556	GB	30	GF2021AH
GF2018AJ	372	525	GB	30	GF2021AJ
GF2021AG	372	657	GB	35	GF20G21AG
GF2021AH	373	692	GB	35	
GF2021AJ	372	657	GB	35	
GF2021BG	373	657	GB	35	GF20G21BG

Catalog Number	Page Number	List Price	Mult Sym	Ship Wgt <sup>(1)</sup>	Alternate Cat Number <sup>(2)</sup>
GF2024AG	373	775	GB	40	GF2026AG
GF2024AGA10	387	1,278	GB	78	
GF2024AGA15	388	1,345	GB	87	
GF2024AGB10	387	1,175	GB	70	
GF2024AGB15	388	1,224	GB	74	
GF2024AGC10	387	1,842	GB	84	
GF2024AGD10	387	1,842	GB	84	
GF2024BG	373	775	GB	40	GF2026BG
GF2024BGD15	388	2,742	GB	107	
GF2026AG	373	899	GB	55	
GF2026BG	373	899	GB	55	GF2030BG
GF2030BG	373	1,222	GB	68	GF2032BG
GF2030CG	373	1,222	GB	68	GF2032CG
GF2030CJ	373	1,222	GB	68	
GF2032BG	373	1,325	GB	87	
GF2032CG	373	1,325	GB	87	GF2038CG
GF2038CG	373	1,618	GB	126	
GF20G21AG	372	657	GB	35	
GF20G21BG	373	657	GB	30	
GF2513AG	373	479	GB	20	GF2515AG
GF2513AGA25	383	774	GB	40	
GF2513AGA33	384	807	GB	42	
GF2513AGB25	383	769	GB	39	
GF2513AGB33	384	793	GB	42	
GF2513AGC25	383	1,091	GB	44	
GF2513AGC33	384	1,125	GB	47	
GF2513AGD25	383	1,091	GB	44	
GF2513AGD33	384	1,125	GB	47	
GF2515AG	373	512	GB	25	GF2518AG
GF2515AH	373	543	GB	25	
GF2518AG	373	525	GB	29	GF2521AG
GF2518AGA50	385	908	GB	57	
GF2518AGB50	385	885	GB	53	
GF2518AGC50	385	1,248	GB	62	
GF2518AGD50	385	1,248	GB	61	
GF2518AJ	373	525	GB	30	GF2521AJ
GF2521AG	373	657	GB	35	GF25G21AG
GF2521AGA75	386	1,096	GB	69	
GF2521AGB75	386	1,040	GB	60	
GF2521AGC75	386	1,535	GB	74	
GF2521AGD75	386	1,535	GB	74	
GF2521AJ	373	657	GB	35	
GF2524AG	373	775	GB	36	
GF2524AGA10	387	1,278	GB	78	
GF2524AGB10	387	1,175	GB	70	
GF2524AGC10	387	1,842	GB	84	
GF2524AGD10	387	1,842	GB	84	
GF2524BG	373	775	GB	40	GF2526BG

(1) Shipping weight is approximate.

(2) Baldor has suggested alternate products, however there may be slight differences in performance, efficiency, voltage range, dimensions and mounting. Customers should verify suitability of selected products for their specific application.

Gearmotors and Gear Products

PT Components

Motor Accessories

Grinders

Generators

Servo Motors and Controls

Mod Express

Baldor Education Workshops

Classifications and Sales Offices

EISA Reference Table & Index

Gearmotors and Gear Products

PT Components

Motor Accessories

Grinders

Gearmotors

Servo Motors and Controls

Mod Express

Baldor Education Workshop

Classifications and Sales Offices

EISA Reference Table & Index

Catalog Number	Page Number	List Price	Mult Sym	Ship Wgt <sup>(1)</sup>	Alternate Cat Number <sup>(2)</sup>
GF2526BG	373	899	GB	55	
GF2526BGD15	388	2,866	GB	122	
GF2530AG	373	1,222	GB	68	
GF2530BG	373	1,222	GB	68	GF2532BG
GF2532BG	373	1,325	GB	87	
GF2538CH	373	1,710	GB	126	
GF25G21AG	373	657	GB	40	
GF3013AG	373	479	GB	20	GF3015AG
GF3013AGA25	383	774	GB	40	
GF3013AGB25	383	769	GB	39	
GF3013AGC25	383	1,091	GB	44	
GF3013AGD25	383	1,091	GB	44	
GF3013AH	373	507	GB	20	GF3015AH
GF3015AG	373	512	GB	25	GF3018AG
GF3015AGA33	384	840	GB	47	
GF3015AGB33	384	826	GB	47	
GF3015AGC33	384	1,158	GB	52	
GF3015AGD33	384	1,158	GB	52	
GF3015AH	373	543	GB	25	GF3018AH
GF3018AG	373	525	GB	30	GF3021AG
GF3018AGA50	385	908	GB	57	
GF3018AGB50	385	885	GB	53	
GF3018AGC50	385	1,248	GB	62	
GF3018AGD50	385	1,248	GB	61	
GF3018AH	373	556	GB	30	GF3021AH
GF3018AJ	373	525	GB	30	GF3021AJ
GF3021AG	373	657	GB	35	GF30G21AG
GF3021AGA75	386	1,096	GB	69	
GF3021AGB75	386	1,040	GB	60	
GF3021AGC75	386	1,535	GB	74	
GF3021AGD75	386	1,535	GB	74	
GF3021AH	373	692	GB	35	
GF3021AJ	373	657	GB	35	GF3024AJ
GF3024AG	373	775	GB	40	GF3026AG
GF3024AGA10	387	1,278	GB	78	
GF3024AGB10	387	1,175	GB	70	
GF3024AGC10	387	1,842	GB	84	
GF3024AGD10	387	1,842	GB	84	
GF3024AJ	373	775	GB	40	
GF3024BG	373	775	GB	40	GF3026BG
GF3026AG	373	899	GB	55	
GF3026BG	373	899	GB	55	GF3030BG
GF3030AG	373	1,222	GB	68	
GF3030AGA15	388	1,792	GB	115	
GF3030AGB15	388	1,671	GB	102	
GF3030AJ	373	1,222	GB	68	
GF3030BG	373	1,222	GB	68	
GF3030BGD15	388	3,189	GB	135	

Catalog Number	Page Number	List Price	Mult Sym	Ship Wgt <sup>(1)</sup>	Alternate Cat Number <sup>(2)</sup>
GF3032BG	373	1,325	GB	87	GF3038CG
GF3038CG	373	1,618	GB	126	
GF30G21AG	373	657	GB	30	
GF4013AG	374	479	GB	20	GF4015AG
GF4013AGA25	383	774	GB	40	
GF4013AGB25	383	769	GB	39	
GF4013AGC25	383	1,091	GB	44	
GF4013AGD25	383	1,091	GB	44	
GF4013AH	374	507	GB	20	
GF4015AG	374	512	GB	25	GF4018AG
GF4015AJ	374	512	GB	25	GF4018AJ
GF4018AG	374	525	GB	30	GF4021AG
GF4018AGA33	384	853	GB	52	
GF4018AGB33	384	839	GB	52	
GF4018AGC33	384	1,171	GB	57	
GF4018AGD33	384	1,171	GB	57	
GF4018AJ	374	525	GB	30	GF4021AJ
GF4021AG	374	657	GB	35	GF4024AG
GF4021AGA50	385	1,040	GB	62	
GF4021AGB50	385	1,017	GB	58	
GF4021AGC50	385	1,380	GB	67	
GF4021AGD50	385	1,380	GB	66	
GF4021AJ	374	657	GB	35	GF4024AJ
GF4024AG	374	775	GB	40	GF4026AG
GF4024AGA10	387	1,278	GB	78	
GF4024AGA75	386	1,214	GB	74	
GF4024AGB10	387	1,175	GB	70	
GF4024AGB75	386	1,158	GB	65	
GF4024AGC10	387	1,842	GB	84	
GF4024AGC75	386	1,653	GB	79	
GF4024AGD10	387	1,842	GB	84	
GF4024AGD75	386	1,653	GB	79	
GF4024AH	374	819	GB	40	
GF4024AJ	374	775	GB	40	GF4026AJ
GF4026AG	374	899	GB	55	GF4030AG
GF4026AJ	374	899	GB	55	
GF4026BG	374	899	GB	55	GF4030BG
GF4030AG	374	1,222	GB	68	
GF4030AGA15	388	1,792	GB	102	
GF4030AGB15	388	1,671	GB	102	
GF4030BG	374	1,222	GB	68	GF4032BG
GF4030BGD15	388	3,189	GB	135	
GF4032BG	374	1,325	GB	87	
GF4038CG	374	1,618	GB	126	
GF4038CH	374	1,710	GB	126	
GF5013AG	374	479	GB	20	GF5015AG
GF5013AH	374	507	GB	20	
GF5015AG	374	512	GB	25	GF5018AG

<sup>(1)</sup> Shipping weight is approximate.

<sup>(2)</sup> Baldor has suggested alternate products, however there may be slight differences in performance, efficiency, voltage range, dimensions and mounting. Customers should verify suitability of selected products for their specific application.



Catalog Number	Page Number	List Price	Mult Sym	Ship Wgt <sup>(1)</sup>	Alternate Cat Number <sup>(2)</sup>
GF5015AGA25	383	807	GB	45	
GF5015AGB25	383	802	GB	44	
GF5015AGC25	383	1,124	GB	49	
GF5015AGD25	383	1,124	GB	49	
GF5018AG	374	525	GB	30	GF5021AG
GF5018AGA33	384	853	GB	52	
GF5018AGB33	384	839	GB	52	
GF5018AGC33	384	1,171	GB	57	
GF5018AGD33	384	1,171	GB	57	
GF5018AJ	374	525	GB	30	GF5021AJ
GF5021AG	374	657	GB	35	GF5024AG
GF5021AH	374	692	GB	35	
GF5021AJ	374	657	GB	35	
GF5024AG	374	775	GB	40	GF5026AG
GF5024AGA50	385	1,158	GB	67	
GF5024AGA75	386	1,214	GB	74	
GF5024AGB50	385	1,135	GB	63	
GF5024AGB75	386	1,158	GB	65	
GF5024AGC50	385	1,498	GB	72	
GF5024AGC75	386	1,653	GB	79	
GF5024AGD50	385	1,498	GB	71	
GF5024AGD75	386	1,653	GB	79	
GF5026AG	374	899	GB	55	GF5030AG
GF5026BG	374	899	GB	55	GF5030BG
GF5030AG	374	1,222	GB	68	GF5032AG
GF5030AGA10	387	1,725	GB	106	
GF5030AGB10	387	1,622	GB	98	
GF5030AGC10	387	2,289	GB	112	
GF5030AGD10	387	2,289	GB	112	
GF5030BG	374	1,222	GB	68	
GF5032AG	374	1,325	GB	87	
GF5032AGA15	388	1,895	GB	134	
GF5032AGB15	388	1,774	GB	121	
GF5032BG	374	1,325	GB	87	GF5038BG
GF5032BGD15	388	3,292	GB	154	
GF5038BG	374	1,618	GB	126	
GF5038BH	374	1,710	GB	126	
GF6015AG	374	512	GB	25	GF6018AG
GF6015AGA25	383	807	GB	45	
GF6015AGB25	383	802	GB	44	
GF6015AGC25	383	1,124	GB	49	
GF6015AGD25	383	1,124	GB	49	
GF6015AH	374	543	GB	25	GF6018AH
GF6018AG	374	525	GB	30	GF6021AG
GF6018AGA33	384	853	GB	52	
GF6018AGB33	384	839	GB	52	
GF6018AGC33	384	1,171	GB	57	
GF6018AGD33	384	1,171	GB	57	

Catalog Number	Page Number	List Price	Mult Sym	Ship Wgt <sup>(1)</sup>	Alternate Cat Number <sup>(2)</sup>
GF6018AH	374	556	GB	30	GF6021AH
GF6018AJ	374	525	GB	30	GF6021AJ
GF6021AG	375	657	GB	35	GF6024AG
GF6021AH	375	692	GB	35	
GF6021AJ	375	657	GB	35	GF6024AJ
GF6024AG	375	775	GB	40	
GF6024AGA50	385	1,158	GB	67	
GF6024AGB50	385	1,135	GB	63	
GF6024AGC50	385	1,498	GB	72	
GF6024AGD50	385	1,498	GB	71	
GF6024AJ	375	775	GB	40	GF6026AJ
GF6026AG	375	899	GB	55	GF6030AG
GF6026AGA75	386	1,214	GB	74	
GF6026AGB75	386	1,158	GB	65	
GF6026AGC75	386	1,653	GB	79	
GF6026AGD75	386	1,653	GB	79	
GF6026AH	375	947	GB	55	
GF6026AJ	375	899	GB	55	
GF6030AG	375	1,222	GB	68	GF6032AG
GF6030AGA10	387	1,725	GB	106	
GF6030AGB10	387	1,622	GB	98	
GF6030AGC10	387	2,289	GB	112	
GF6030AGD10	387	2,289	GB	112	
GF6030BG	375	1,222	GB	68	GF6032BG
GF6032AG	375	1,325	GB	87	
GF6032AGB15	388	1,774	GB	160	
GF6032BG	375	1,325	GB	87	GF6038BG
GF6038AGA15	388	2,188	GB	173	
GF6038BG	375	1,618	GB	126	
GF6038BGD15	388	3,585	GB	193	
GF6038BH	375	1,710	GB	126	
GHF0513AH	376	631	GB	20	GHF0518AH
GHF0518AH	376	675	GB	30	
GHF1018AH	376	675	GB	30	GHF1021AH
GHF1021AH	376	801	GB	35	
GHF1030CH	376	1,452	GB	75	
GHF1513AH	376	631	GB	20	GHF1518AH
GHF1518AH	376	675	GB	30	GHF1521AH
GHF1521AH	376	801	GB	35	GHF1524AH
GHF1524AH	376	963	GB	45	
GHF1530BH	376	1,452	GB	75	
GHF2013AH	376	631	GB	20	GHF2018AH
GHF2018AH	376	675	GB	30	
GHF2021AH	376	801	GB	35	GHF2024AH
GHF2024AH	376	963	GB	45	GHF2026AH
GHF2026AH	376	1,136	GB	56	
GHF2030BH	376	1,452	GB	75	
GHF2518AH	376	675	GB	23	

(1) Shipping weight is approximate.

(2) Baldor has suggested alternate products, however there may be slight differences in performance, efficiency, voltage range, dimensions and mounting. Customers should verify suitability of selected products for their specific application.

Gearmotors and Gear Products

PT Components

Motor Accessories

Grinders

Generators

Servo Motors and Controls

Mod Express

Baldor Education Workshops

Classifications and Sales Offices

EISA Reference Table & Index

Gearmotors and Gear Products

PT Components

Motor Accessories

Grinders

Gearmotors

Servo Motors and Controls

Mod Express

Baldor Education Workshop

Classifications and Sales Offices

EISA Reference Table & Index

Catalog Number	Page Number	List Price	Mult Sym	Ship Wgt <sup>(1)</sup>	Alternate Cat Number <sup>(2)</sup>
GHF2521AH	376	801	GB	32	
GHF2526BH	376	1,136	GB	44	
GHF2530BH	376	1,452	GB	88	
GHF3013AH	376	631	GB	20	GHF3018AH
GHF3018AH	376	675	GB	30	GHF3021AH
GHF3021AH	376	801	GB	35	GHF3024AH
GHF3024AH	376	963	GB	45	GHF3026AH
GHF3026AH	376	1,136	GB	56	
GHF3030BH	376	1,452	GB	75	GHF3032BH
GHF3032BH	376	1,574	GB	95	
GHF4018AH	376	675	GB	30	GHF4021AH
GHF4021AH	376	801	GB	35	GHF4024AH
GHF4024AH	376	963	GB	45	GHF4026AH
GHF4026AH	376	1,136	GB	56	
GHF4026BH	376	1,136	GB	56	GHF4030BH
GHF4032BH	376	1,574	GB	95	
GHF5013AH	376	631	GB	20	GHF5018AH
GHF5018AH	376	675	GB	30	GHF5021AH
GHF5021AH	376	801	GB	35	GHF5024AH
GHF5024AH	376	963	GB	45	GHF5030AH
GHF5030AH	376	1,452	GB	75	GHF5032AH
GHF5032AH	376	1,574	GB	95	
GHF6018AH	376	675	GB	30	GHF6021AH
GHF6021AH	376	801	GB	35	GHF6024AH
GHF6024AH	376	963	GB	45	GHF6026AH
GHF6026AH	376	1,136	GB	56	GHF6030AH
GHF6030AH	376	1,452	GB	75	GHF6032AH
GHF6032AH	376	1,574	GB	95	
GHL31010	352	1,204	DS	55	GHL35010
GHL31020	352	1,204	DS	55	GHL35020
GHL31030	352	1,204	DS	55	GHL35030
GHL35010	352	981	DS	45	GHL37510
GHL35020	352	981	DS	45	GHL37520
GHL35030	352	981	DS	45	GHL37530
GHL35060	352	981	DS	45	
GHL37510	352	1,055	DS	50	
GHL37520	352	1,055	DS	50	
GHL37530	352	1,055	DS	50	
GHM31010	352	999	DS	45	GHM35010
GHM31020	352	999	DS	45	GHM35020
GHM31030	352	999	DS	45	GHM35030
GHM35010	352	946	DS	40	GHM37510
GHM35020	352	946	DS	40	GHM37520
GHM35030	352	946	DS	40	GHM37530
GHM35040	352	946	DS	27	
GHM35050	352	946	DS	40	
GHM35060	352	946	DS	40	
GHM37510	352	973	DS	42	

Catalog Number	Page Number	List Price	Mult Sym	Ship Wgt <sup>(1)</sup>	Alternate Cat Number <sup>(2)</sup>
GHM37520	352	973	DS	42	
GHM37530	352	973	DS	42	
GIF0938A	391	949	GB	29	
GIF0938B	391	949	GB	31	
GIF0938C	391	1,039	GB	32	
GIF0948C	391	1,501	GB	55	
GIF0968D	391	2,351	GB	101	
GIF1438A	391	949	GB	29	
GIF1438B	391	949	GB	31	
GIF1448C	391	1,501	GB	55	
GIF1468C	391	2,351	GB	93	
GIF1468D	391	2,351	GB	101	
GIF1488E	391	3,624	GB	229	
GIF1838A	391	949	GB	29	
GIF1838B	391	949	GB	31	
GIF1848B	391	1,316	GB	54	
GIF1848C	391	1,501	GB	85	
GIF1868C	391	2,351	GB	93	
GIF1868D	391	2,351	GB	101	
GIF1888E	391	3,624	GB	229	
GIF2538A	391	949	GB	29	
GIF2538B	391	949	GB	31	
GIF2548B	391	1,316	GB	54	
GIF2548C	391	1,501	GB	55	
GIF2568C	391	2,351	GB	93	
GIF2588D	391	3,414	GB	178	
GIF2588E	391	3,624	GB	229	
GIF4038A	391	949	GB	29	
GIF4048A	391	1,316	GB	52	
GIF4048B	391	1,316	GB	54	
GIF4068C	391	2,351	GB	93	
GIF4088D	391	3,414	GB	178	
GIF5068B	391	2,168	GB	92	
GIF5088C	391	3,414	GB	178	
GIF5638A	391	1,146	GB	29	
GIF5648A	391	1,444	GB	52	
GLF0515AG	380	533	GB	30	GLF0821AG
GLF0821AG	380	675	GB	38	
GLF0821AJ	380	675	GB	38	
GLF0821BG	380	675	GB	38	GLF0826BG
GLF0826BG	380	926	GB	60	
GLF0826CG	380	926	GB	60	
GLF1018AG	380	547	GB	32	GLF1021AG
GLF1021AG	380	675	GB	38	
GLF1021BG	380	675	GB	38	GLF1024BG
GLF1021BJ	380	675	GB	38	
GLF1024BG	380	793	GB	45	GLF1026BG
GLF1026BG	380	926	GB	60	

<sup>(1)</sup> Shipping weight is approximate.

<sup>(2)</sup> Baldor has suggested alternate products, however there may be slight differences in performance, efficiency, voltage range, dimensions and mounting. Customers should verify suitability of selected products for their specific application.

Catalog Number	Page Number	List Price	Mult Sym	Ship Wgt <sup>(1)</sup>	Alternate Cat Number <sup>(2)</sup>
GLF1026CG	380	926	GB	60	GLF1032CG
GLF1032CG	380	1,350	GB	100	
GLF1513AG	380	490	GB	20	GLF1521AG
GLF1521AG	380	675	GB	38	
GLF1521AJ	380	675	GB	38	
GLF1526BG	380	926	GB	60	
GLF1526BJ	380	926	GB	60	
GLF1532CG	380	1,350	GB	100	
GLF1532CJ	380	1,350	GB	100	
GLF1538CG	380	1,648	GB	130	
GLF2013AG	380	490	GB	20	GLF2018AG
GLF2018AG	380	547	GB	32	GLF2021AG
GLF2021AG	380	675	GB	38	
GLF2021AJ	381	675	GB	38	
GLF2026BG	381	926	GB	60	
GLF2026BJ	381	926	GB	60	
GLF2032CG	381	1,350	GB	100	
GLF2515AG	381	533	GB	30	GLF2518AG
GLF2518AG	381	547	GB	32	GLF2521AG
GLF2521AG	381	675	GB	38	GLF2526AG
GLF2521AJ	381	675	GB	38	
GLF2526AG	381	926	GB	60	
GLF2526BG	381	926	GB	60	GLF2532BG
GLF2526BJ	381	926	GB	60	
GLF2532BG	381	1,350	GB	100	
GLF2532CG	381	1,350	GB	100	
GLF2532CJ	381	1,350	GB	100	
GLF3013AG	381	490	GB	20	GLF3015AG
GLF3015AG	381	533	GB	30	GLF3018AG
GLF3018AG	381	547	GB	32	GLF3021AG
GLF3018AJ	381	547	GB	32	
GLF3021AG	381	675	GB	38	GLF3024AG
GLF3024AG	381	793	GB	45	
GLF3026BG	381	926	GB	60	
GLF3026BJ	381	926	GB	60	
GLF3032CG	381	1,350	GB	100	GLF3038CG
GLF3038CG	381	1,648	GB	130	
GLF4018AG	381	547	GB	32	GLF4021AG
GLF4024AG	381	793	GB	45	GLF4026AG
GLF4026AG	381	926	GB	60	
GLF4032BG	381	1,350	GB	100	
GLF4038CG	381	1,648	GB	130	
GLF5021AG	381	675	GB	38	GLF5026AG
GLF5026AG	381	926	GB	60	
GLF6015AG	381	533	GB	30	GLF6018AG
GLF6018AG	381	547	GB	32	GLF6021AG
GLF6021AG	381	675	GB	38	GLF6026AG
GLF6026AG	381	926	GB	60	GLF6032AG

Catalog Number	Page Number	List Price	Mult Sym	Ship Wgt <sup>(1)</sup>	Alternate Cat Number <sup>(2)</sup>
GLF6032AG	381	1,350	GB	100	
GLF6032BG	381	1,350	GB	100	
GLP3310	365	831	DS	25	
GLP3328	365	864	DS	25	
GLP3330	365	864	DS	25	GLP3342
GLP3332	365	813	DS	25	GLP3344
GLP3336	365	813	DS	25	GLP3348
GLP3338	365	813	DS	25	
GLP3342	365	912	DS	25	GLP3330
GLP3344	365	860	DS	25	GLP3332
GLP3346	365	860	DS	25	
GLP3348	365	860	DS	25	GLP3336
GM2501	351	757	DS	28	GM3301
GM25016	347	637	DS	15	
GM25021	347	637	DS	15	
GM25022	345	487	DS	15	GM3349
GM25024	345	487	DS	15	GM3347
GM25026	345	473	DS	15	
GM2503	351	757	DS	28	GM3303
GM2506	351	757	DS	28	GM3306
GM25060	348	837	DS	12	
GM2507	351	757	DS	28	GM3307
GM25080	348	837	DS	12	
GM25120	348	837	DS	10	
GM25190	348	837	DS	12	
GM25280	348	837	DS	12	
GM3301	351	762	DS	35	GHM35010
GM3303	351	762	DS	35	GHM35020
GM3306	351	762	DS	35	
GM3307	351	762	DS	35	
GM3329	345	614	DS	15	
GM3331	350	644	DS	24	
GM3334	351	744	DS	24	GM3345
GM3337	351	744	DS	16	GM3340
GM3338	351	744	DS	24	
GM3340	349	740	DS	24	GM2506
GM3345	349	740	DS	24	GM2503
GM3347	349	740	DS	24	GM2501
GM3349	349	740	DS	24	
GMP3330	365	856	DS	27	GMP3342
GMP3332	365	804	DS	27	GMP3344
GMP3336	365	804	DS	27	GMP3348
GMP3338	365	804	DS	27	
GMP3340	365	904	DS	27	
GMP3342	365	904	DS	27	
GMP3344	365	853	DS	27	
GMP3348	365	853	DS	27	
GP12511	359	602	DS	10	GP13530

(1) Shipping weight is approximate.

(2) Baldor has suggested alternate products, however there may be slight differences in performance, efficiency, voltage range, dimensions and mounting. Customers should verify suitability of selected products for their specific application.

Gearmotors and Gear Products

PT Components

Motor Accessories

Grinders

Generators

Servo Motors and Controls

Mod Express

Baldor Education Workshops

Classifications and Sales Offices

EISA Reference Table & Index

Gearmotors and Gear Products

PT Components

Motor Accessories

Grinders

Gearmotors

Servo Motors and Controls

Mod Express

Baldor Education Workshop

Classifications and Sales Offices

EISA Reference Table & Index

Catalog Number	Page Number	List Price	Mult Sym	Ship Wgt <sup>(1)</sup>	Alternate Cat Number <sup>(2)</sup>
GP12512	359	602	DS	10	GP13532
GP12514	359	602	DS	10	GP13533
GP12516	359	602	DS	10	GP13536
GP13530	359	633	DS	10	GP7403
GP13531	359	633	DS	10	GP7402
GP13532	359	633	DS	10	GP7401
GP13533	359	633	DS	10	GP7400
GP13536	359	633	DS	10	GP7413
GP231001	353	383	DS	5	GP232001
GP231002	353	383	DS	5	
GP231003	353	355	DS	5	
GP231004	360	473	DS	8	
GP231005	354	373	DS	5	
GP232001	353	383	DS	5	
GP232002	355	473	DS	7	GP233006
GP232003	360	473	DS	8	
GP232004	356	529	DS	7	
GP232005	356	529	DS	7	
GP232006	356	529	DS	7	GP7304
GP232007	356	552	DS	7	GP7409
GP233001	355	490	DS	7	GP12514
GP233002	355	490	DS	7	GP12512
GP233003	355	490	DS	8	GP233005
GP233004	360	490	DS	8	GP12512
GP233005	360	490	DS	8	GP12511
GP233006	360	490	DS	8	GP12511
GP233007	355	490	DS	7	
GP233020	356	552	DS	7	
GP233021	355	490	DS	7	
GP233022	355	490	DS	7	GP233024
GP233023	355	490	DS	7	GP7422
GP233024	360	490	DS	8	GP7421
GP233025	360	490	DS	8	GP7422
GP233026	360	490	DS	8	GP7423
GP233027	356	576	DS	7	GP7429
GP233028	356	552	DS	7	
GP233029	356	552	DS	7	
GP24060	358	843	DS	12	
GP24120	358	843	DS	12	
GP24190	358	843	DS	12	
GP24280	358	843	DS	12	
GP2501	361	824	DS	25	GP3301
GP2503	361	824	DS	25	GP3303
GP2506	361	824	DS	25	GP3306
GP2507	361	824	DS	25	GP3307
GP3301	361	957	DS	35	GP2501
GP3303	361	957	DS	35	GP2503
GP3306	361	957	DS	35	GP2506

Catalog Number	Page Number	List Price	Mult Sym	Ship Wgt <sup>(1)</sup>	Alternate Cat Number <sup>(2)</sup>
GP3307	361	957	DS	35	GP2507
GP7304	357	776	DS	13	
GP7400	361	672	DS	14	GP13533
GP7401	361	672	DS	14	GP13532
GP7402	361	672	DS	14	GP13531
GP7403	361	672	DS	14	GP13530
GP7404	361	672	DS	14	GP2507
GP7405	361	672	DS	14	GP2506
GP7406	361	672	DS	14	GP2503
GP7407	361	672	DS	14	GP2506
GP7408	361	672	DS	14	GP2507
GP7409	357	740	DS	15	
GP7413	361	672	DS	14	
GP7420	361	672	DS	14	
GP7421	361	672	DS	14	GP7427
GP7422	361	672	DS	14	GP7428
GP7423	361	672	DS	14	
GP7424	361	672	DS	14	
GP7425	361	672	DS	15	
GP7426	361	672	DS	14	
GP7427	361	672	DS	14	
GP7428	361	672	DS	14	
GP7429	357	764	DS	15	
GP7433	361	672	DS	14	
GPF13514	362	698	DS	15	
GPF13515	362	698	DS	15	
GPF13516	362	698	DS	15	
GPF13517	362	698	DS	15	
GPF13530	362	698	DS	15	
GPF13532	362	698	DS	15	
GPP12501	367	518	DS	11	GPP12541
GPP12502	367	518	DS	11	GPP12543
GPP12503	367	518	DS	11	
GPP12504	367	544	DS	11	GPP12545
GPP12505	367	544	DS	11	GPP12547
GPP12521	367	524	DS	11	GPP12561
GPP12525	367	524	DS	11	GPP12567
GPP12540	368	579	DS	12	GPP7450
GPP12541	368	579	DS	12	GPP7451
GPP12542	368	579	DS	12	GPP7452
GPP12543	368	579	DS	12	GPP7453
GPP12544	368	606	DS	12	GPP7454
GPP12545	368	606	DS	12	GPP7455
GPP12547	368	606	DS	12	GPP7456
GPP12555	368	623	DS	12	
GPP12556	368	609	DS	12	
GPP12559	368	623	DS	12	
GPP12560	368	579	DS	11	GPP7470

<sup>(1)</sup> Shipping weight is approximate.

<sup>(2)</sup> Baldor has suggested alternate products, however there may be slight differences in performance, efficiency, voltage range, dimensions and mounting. Customers should verify suitability of selected products for their specific application.

Catalog Number	Page Number	List Price	Mult Sym	Ship Wgt <sup>(1)</sup>	Alternate Cat Number <sup>(2)</sup>
GPP12561	368	579	DS	11	GPP7471
GPP12564	368	585	DS	11	GPP7474
GPP12567	368	585	DS	11	GPP7476
GPP12582	368	643	DS	12	
GPP230005	367	469	DS	8	
GPP230007	367	469	DS	8	
GPP230010	367	469	DS	8	
GPP230013	367	469	DS	8	
GPP230019	367	469	DS	8	
GPP230025	367	499	DS	8	
GPP230037	367	499	DS	8	
GPP230053	368	556	DS	10	
GPP230072	367	531	DS	8	
GPP230139	367	482	DS	8	
GPP230186	367	482	DS	8	
GPP230208	368	589	DS	10	
GPP231108	367	473	DS	8	GPP233141
GPP231109	367	449	DS	8	GPP233112
GPP231110	367	449	DS	8	GPP12503
GPP231329	368	589	DS	10	
GPP232110	367	473	DS	7	GPP233140
GPP233111	367	490	DS	8	GPP12504
GPP233112	367	490	DS	8	GPP12505
GPP233120	367	490	DS	8	
GPP233121	367	490	DS	8	
GPP233140	368	605	DS	10	GPP233141
GPP233141	368	605	DS	10	GPP233140
GPP24005	368	634	DS	14	
GPP24011	368	634	DS	14	
GPP24019	368	634	DS	14	
GPP24029	368	666	DS	14	
GPP24043	368	666	DS	14	
GPP2530	369	1,001	DS	24	
GPP2534	369	953	DS	24	
GPP2538	369	953	DS	24	
GPP3340	369	1,125	DS	35	
GPP3344	369	1,125	DS	31	
GPP3348	369	1,076	DS	35	
GPP3370	369	1,125	DS	35	
GPP3374	369	1,076	DS	35	
GPP3378	369	1,076	DS	35	
GPP3380	369	1,125	DS	35	
GPP3384	369	1,076	DS	35	
GPP3388	369	1,076	DS	35	
GPP7450	369	674	DS	17	GPP3348
GPP7451	369	674	DS	17	
GPP7452	369	674	DS	15	GPP3344
GPP7453	369	733	DS	17	GPP2534

Catalog Number	Page Number	List Price	Mult Sym	Ship Wgt <sup>(1)</sup>	Alternate Cat Number <sup>(2)</sup>
GPP7454	369	733	DS	17	GPP3340
GPP7455	369	733	DS	17	GPP2530
GPP7456	369	733	DS	17	
GPP7457	369	764	DS	17	
GPP7458	369	764	DS	17	
GPP7459	369	764	DS	17	
GPP7460	369	733	DS	17	GPP2530
GPP7461	369	764	DS	17	
GPP7462	369	764	DS	17	GPP7458
GPP7470	369	674	DS	17	GPP3388
GPP7471	369	674	DS	17	
GPP7472	369	674	DS	17	GPP3384
GPP7473	369	733	DS	17	GPP3374
GPP7474	369	733	DS	17	GPP3380
GPP7475	369	733	DS	17	GPP3370
GPP7476	369	733	DS	17	
GPP7477	369	764	DS	17	
GPP7478	369	764	DS	17	GPP7477
GPP7479	369	764	DS	17	GPP7478
GS1018G	382	458	GB	25	GS1021G
GS1021G	382	540	GB	28	GS1026G
GS1026G	382	759	GB	50	
GS1515G	382	452	GB	21	GS1518G
GS1518G	382	458	GB	25	GS1521G
GS1521G	382	540	GB	28	
GS2018G	382	458	GB	25	GS2021G
GS2021G	382	540	GB	28	GS2024G
GS2024G	382	673	GB	38	GS2026G
GS2026G	382	759	GB	50	
GS2515G	382	452	GB	21	
GS3013G	382	438	GB	18	GS3015G
GS3018G	382	458	GB	25	GS3021G
GS3021G	382	540	GB	28	GS3026G
GS3026G	382	759	GB	50	
GS4015G	382	452	GB	21	GS4018G
GS4018G	382	458	GB	25	GS4021G
GS4021G	382	540	GB	28	GS4026G
GS4026G	382	759	GB	50	
GS5018G	382	458	GB	25	GS5021G
GS5021G	382	540	GB	28	GS5026G
GS5026G	382	759	GB	50	
GS6013G	382	438	GB	18	GS6015G
GS6015G	382	452	GB	21	GS6018G
GS6018G	382	458	GB	25	GS6021G
GS6021G	382	540	GB	28	GS6024G
GS6024G	382	673	GB	38	GS6026G
GS6026G	382	759	GB	50	
GSF1013AA	389	598	GB	21	GSF1018AA

Gearmotors and Gear Products

PT Components

Motor Accessories

Grinders

Generators

Servo Motors and Controls

Mod Express

Baldor Education Workshops

Classifications and Sales Offices

EISA Reference Table & Index

(1) Shipping weight is approximate.

(2) Baldor has suggested alternate products, however there may be slight differences in performance, efficiency, voltage range, dimensions and mounting. Customers should verify suitability of selected products for their specific application.

Gearmotors and Gear Products

PT Components

Motor Accessories

Grinders

Gearmotors

Servo Motors and Controls

Mod Express

Baldor Education Workshop

Classifications and Sales Offices

EISA Reference Table & Index

Catalog Number	Page Number	List Price	Mult Sym	Ship Wgt <sup>(1)</sup>	Alternate Cat Number <sup>(2)</sup>
GSF1018AA	389	655	GB	22	
GSF1018BA	389	655	GB	23	
GSF1020AA	389	781	GB	30	
GSF1020BA	389	781	GB	29	GSF1023BA
GSF1023BA	389	886	GB	32	GSF1026BA
GSF1026BA	389	1,130	GB	46	
GSF1026CA	389	1,130	GB	55	GSF1030CA
GSF1030CA	389	1,291	GB	61	
GSF1513AA	389	598	GB	21	GSF1518AA
GSF1518AA	389	655	GB	23	GSF1520AA
GSF1520AA	389	781	GB	29	GSF1523AA
GSF1523AA	389	886	GB	37	
GSF1523BA	389	886	GB	33	GSF1526BA
GSF1526BA	389	1,130	GB	51	GSF1530BA
GSF1530BA	389	1,291	GB	57	
GSF1530CA	389	1,291	GB	61	GSF1535CA
GSF1535CA	389	1,771	GB	86	
GSF2013AA	389	598	GB	24	GSF2018AA
GSF2018AA	389	655	GB	23	GSF2020AA
GSF2020AA	389	781	GB	30	
GSF2020BA	389	781	GB	28	
GSF2023AA	389	886	GB	37	GSF2026AA
GSF2023BA	389	886	GB	33	
GSF2026AA	389	1,130	GB	51	
GSF2026BA	389	1,130	GB	51	GSF2030BA
GSF2030BA	389	1,291	GB	57	
GSF2030CA	389	1,291	GB	62	GSF2035CA
GSF2035CA	389	1,771	GB	90	
GSF2513AA	390	598	GB	21	GSF2518AA
GSF2518AA	390	655	GB	23	GSF2520AA
GSF2520AA	390	781	GB	29	GSF2523AA
GSF2523AA	390	886	GB	33	
GSF2530BA	390	1,291	GB	56	
GSF3013AA	390	598	GB	21	GSF3018AA
GSF3018AA	390	655	GB	22	GSF3020AA
GSF3020AA	390	781	GB	30	GSF3023AA
GSF3023AA	390	886	GB	33	GSF3026AA
GSF3026AA	390	1,130	GB	50	
GSF3030BA	390	1,291	GB	57	GSF3035BA
GSF3035BA	390	1,771	GB	82	
GSF4013AA	390	598	GB	21	GSF4018AA
GSF4018AA	390	655	GB	11	GSF4020AA
GSF4020AA	390	781	GB	30	GSF4023AA
GSF4023AA	390	886	GB	33	GSF4026AA
GSF4026AA	390	1,130	GB	51	GSF4030AA
GSF4030AA	390	1,291	GB	57	
GSF4030BA	390	1,291	GB	57	GSF4035BA
GSF4035BA	390	1,771	GB	83	
GSF5013AA	390	598	GB	21	GSF5018AA
GSF5018AA	390	655	GB	23	GSF5020AA
GSF5020AA	390	781	GB	30	GSF5023AA
GSF5023AA	390	886	GB	33	GSF5026AA
GSF5026AA	390	1,130	GB	51	GSF5030AA

Catalog Number	Page Number	List Price	Mult Sym	Ship Wgt <sup>(1)</sup>	Alternate Cat Number <sup>(2)</sup>
GSF5030BA	390	1,291	GB	57	GSF5035BA
GSF5035BA	390	1,771	GB	86	
GSF6018AA	390	655	GB	23	GSF6020AA
GSF6020AA	390	781	GB	29	GSF6023AA
GSF6023AA	390	886	GB	33	GSF6026AA
GSF6026AA	390	1,130	GB	51	GSF6030AA
GSF6030AA	390	1,291	GB	56	
GSF6035BA	390	1,771	GB	83	
GSL3509M	155	684	K	42	
GTK30A10	473	695	G8	37	
GTK30PBK	473	130	G8	4	
H3M9101	145	296	LS	21	
H3M9102	145	321	LS	24	
H3M9104	145	327	LS	24	
H3M9105	145	406	LS	27	
H3M9106	145	382	LS	24	
H3M9110	145	410	LS	31	
H3M9112T	145	511	LS	42	
H3M9114T	145	406	LS	40	
H3M9117T	146	587	LS	41	
H3M9118T	146	425	LS	45	
H3M9121T	146	619	LS	68	
H3M9122T	146	503	LS	68	
H3M9125T	146	713	LS	69	
H3M9126T	146	575	LS	78	
H3M9128T	146	1,048	LS	105	
H3M9129T	146	738	LS	116	
H3M9132T	146	900	LS	128	
H3M9133T	146	1,740	LS	158	
H3M9135T	146	1,538	LS	187	
H3M9139T	146	1,899	LS	250	
H3M9201	147	253	LS	20	
H3M9202	147	284	LS	22	
H3M9204	147	298	LS	24	
H3M9206	147	342	LS	27	
H3M9210	147	356	LS	33	
H3M9212T	147	414	LS	32	
H3M9214T	147	378	LS	39	
H3M9217T	147	457	LS	41	
H3M9218T	147	410	LS	43	
H3M9221T	147	485	LS	47	
H3M9222T	147	443	LS	39	
H3M9225T	148	502	LS	55	
H3M9226T	148	488	LS	69	
H3M9228T	148	691	LS	66	
H3M9229T	148	681	LS	94	
H3M9231T	148	867	LS	107	
H3M9232T	148	853	LS	110	
H3M9233T	148	1,265	LS	125	
H3M9235T	148	1,278	LS	158	
H3M9238T	148	1,617	LS	170	
H3M9239T	148	1,556	LS	235	
H3M9241T	148	1,953	LS	221	
H3M9242T	148	1,887	LS	252	

(1) Shipping weight is approximate.

(2) Baldor has suggested alternate products, however there may be slight differences in performance, efficiency, voltage range, dimensions and mounting. Customers should verify suitability of selected products for their specific application.



Catalog Number	Page Number	List Price	Mult Sym	Ship Wgt <sup>(1)</sup>	Alternate Cat Number <sup>(2)</sup>
H3M9244T	148	2,069	LS	235	
H3M9246T	148	2,180	LS	249	
H3M9248T	148	2,915	LS	251	
H3M9249T	148	2,811	LS	339	
H3M9252T	148	3,258	LS	378	
H3M9255T	148	4,022	LS	475	
H3M9258T	148	4,925	LS	544	
HFM2515T	142	1,559	LS	229	
HFM2523T	142	1,281	LS	157	
HFM2531T	142	1,890	LS	226	
HFM2535T	142	2,183	LS	255	
HFM2539T	142	2,814	LS	365	
HFM2543T	142	3,261	LS	369	
HFM2547T	142	4,025	LS	479	
HFM2551T	142	4,928	LS	544	
HFM2555T	142	6,259	LS	618	
HFM3116T	142	364	LS	31	
HFM3154T	142	386	LS	36	
HFM3157T	142	418	LS	41	
HFM3211T	142	451	LS	49	
HFM3218T	142	491	LS	66	
HFM3311T	142	684	LS	92	
HFM3313T	142	856	LS	111	
HIC264A	135	315	C1	18	
HIC274A	135	315	C1	28	
HIC364A	135	341	C1	27	
HM2515T	141	1,558	LS	235	
HM2523T	141	1,305	LS	159	
HM2531T	141	1,926	LS	226	
HM2535T	141	2,224	LS	249	
HM2539T	141	2,866	LS	340	
HM2543T	141	3,322	LS	378	
HM2547T	141	4,100	LS	479	
HM2551T	141	5,021	LS	544	
HM2555T	141	6,375	LS	618	
HM3108	144	305	K	22	
HM3108A	144	391	K	23	
HM3112	144	337	K	26	
HM3112A	144	431	K	26	
HM3116	144	380	K	32	
HM3116T	141	361	LS	31	
HM3154	144	437	K	36	
HM3154A	144	524	K	33	
HM3154T	141	382	LS	39	
HM3157	144	459	K	39	
HM3157A	144	546	K	40	
HM3157T	141	414	LS	41	
HM3161A	144	595	K	47	
HM3211T	141	447	LS	49	
HM3218T	141	487	LS	68	
HM3218TA	144	672	L1	72	
HM3311T	141	677	LS	92	
HM3313T	141	848	LS	108	
HM9110T	145	395	LS	34	

Catalog Number	Page Number	List Price	Mult Sym	Ship Wgt <sup>(1)</sup>	Alternate Cat Number <sup>(2)</sup>
HM9114T	145	402	LS	40	
HM9118T	145	422	LS	42	
HM9122T	145	499	LS	63	
HM9126T	145	570	LS	75	
HM9129T	145	730	LS	128	
HM9132T	145	892	LS	127	
HM9135T	145	1,524	LS	236	
HM9139T	145	1,881	LS	269	
HM9142T	145	2,335	LS	416	
HM9146T	145	2,714	LS	322	
HM9149T	145	3,623	LS	455	
HM9152T	145	3,779	LS	566	
HM9155T	145	5,659	LS	753	
HM9158T	145	6,991	LS	810	
HM9210	147	353	LS	31	
HM9214T	147	374	LS	36	
HM9218T	147	405	LS	39	
HM9222T	147	439	LS	60	
HM9226T	147	484	LS	68	
HM9229T	147	674	LS	95	
HM9232T	147	845	LS	117	
HM9235T	147	1,266	LS	165	
HM9239T	147	1,541	LS	235	
HM9242T	147	1,869	LS	226	
HM9246T	147	2,159	LS	280	
HM9249T	147	2,785	LS	350	
HM9252T	147	3,227	LS	500	
HM9255T	147	3,984	LS	523	
HM9258T	147	4,878	LS	544	
HPM3615T	164	742	L1	79	
HPM3710T	164	954	L1	119	
HPM3714T	164	1,126	L1	145	
ID15H4300-E0	295	57,720	E1	928	
ID15H4350-E0	295	67,835	E1	937	
ID15H4400-E0	295	75,461	E1	900	
ID15H4450-E0	295	88,091	E1	1,179	
ID5202-C0	293	731	E9	5	ID5203-C0
ID5203-B0	293	1,125	E9	6	ID5203-W0
ID5203-C0	293	770	E9	5	
ID5203-W0	293	1,183	E9	6	
ID5401-C0	293	796	E9	5	ID5402-C0
ID5402-C0	293	817	E9	5	ID5403-C0
ID5403-B0	293	1,194	E9	6	ID5403-W0
ID5403-C0	293	840	E9	5	ID5405-C0
ID5403-W0	293	1,253	E9	6	ID5405-W0
ID5405-B0	293	1,276	E9	6	ID5405-W0
ID5405-C0	293	1,072	E9	5	
ID5405-W0	293	1,333	E9	6	
ID5601-B0	293	694	E9	6	ID5601-W0
ID5601-C0	293	464	E9	5	ID5602-C0
ID5601-E0	293	559	E9	6	
ID5601-W0	293	740	E9	6	ID5602-W0
ID5602-B0	293	985	E9	8	ID5602-W0
ID5602-C0	293	603	E9	6	

(1) Shipping weight is approximate.

(2) Baldor has suggested alternate products, however there may be slight differences in performance, efficiency, voltage range, dimensions and mounting. Customers should verify suitability of selected products for their specific application.

Gearmotors and Gear Products

PT Components

Motor Accessories

Grinders

Gearmotors

Servo Motors and Controls

Mod Express

Baldor Education Workshop

Classifications and Sales Offices

EISA Reference Table & Index

Catalog Number	Page Number	List Price	Mult Sym	Ship Wgt <sup>(1)</sup>	Alternate Cat Number <sup>(2)</sup>
ID5602-WO	293	1,044	E9	6	
ID56F50-CO	293	383	E9	4	ID5601-CO
ID5AMS-1	293	57	E9	1	
ID5FRS-1	293	32	E9	1	
ID5FRS-2	293	32	E9	1	
ID5RGA-1	293	236	E9	3	
ID5SI-1	293	206	E9	4	
ID5SI-2	293	233	E9	1	
IDBRPM18154C	219	3,987	E2	200	
IDBRPM18204C	219	4,394	E2	235	
IDBRPM21254C	219	5,114	E2	320	
IDBRPM21304C	219	5,114	E2	215	
IDBRPM21404	219	5,651	E2	382	
IDBRPM25504	219	6,302	E2	530	
IDBRPM25604	219	9,302	E2	610	
IDBRPM25754	219	11,109	E2	670	
IDBRPM281004R1	219	12,573	E2	785	
IDBRPM281254	219	13,305	E2	890	
IDBRPM321254	219	18,636	E2	1,205	
IDBRPM321504	219	24,933	E2	1,360	
IDBRPM362004	220	27,583	E2	1,835	
IDBRPM402004	220	29,761	E2	1,996	
IDBRPM402504	220	34,534	E2	2,244	
IDBRPM403004	220	42,365	E2	2,511	
IDCSWDM3538	99,231	1,367	E2	29	
IDCSWDM3542	99,231	1,548	E2	36	
IDCSWDM3546	99,231	1,607	E2	39	
IDCSWDM3546T	99,231	1,607	E2	42	
IDCSWDM3554	99,231	1,719	E2	45	
IDCSWDM3554T	99,231	1,719	E2	44	
IDCSWDM3558	99,231	1,836	E2	47	
IDCSWDM3558T	99,231	1,836	E2	52	
IDCSWDM3611T	99,231	2,014	E2	74	
IDCSWDM3615T	99,231	2,343	E2	93	
IDCSWDM3710T	99,231	3,548	E2	140	
IDCSWDM3714T	99,231	4,057	E2	187	
IDDRPM18254C	219	4,624	E2	246	
IDDRPM18304C	219	4,811	E2	248	
IDDRPM21404	219	5,604	E2	400	
IDDRPM21504	219	7,544	E2	432	
IDDRPM21604	219	7,544	E2	426	
IDDRPM251004	219	10,985	E2	630	
IDDRPM251254	219	14,557	E2	700	
IDDRPM25506	219	9,060	E2	560	
IDDRPM25606	219	10,985	E2	624	
IDDRPM25754	219	9,060	E2	565	
IDDRPM25756	219	14,557	E2	608	
IDDRPM281006	219	16,253	E2	785	
IDDRPM281256	219	21,189	E2	810	
IDDRPM281504	219	16,253	E2	770	
IDDRPM282004	220	21,189	E2	940	
IDDRPM321506	219	24,933	E2	1,180	
IDDRPM322006	220	29,035	E2	1,295	
IDDRPM322504	220	24,933	E2	1,220	

Catalog Number	Page Number	List Price	Mult Sym	Ship Wgt <sup>(1)</sup>	Alternate Cat Number <sup>(2)</sup>
IDDRPM323004	220	29,035	E2	1,360	
IDDRPM362504	220	36,767	E2	1,690	
IDDRPM363504	220	36,767	E2	1,812	
IDDRPM364004	220	36,767	E2	1,840	
IDDRPM403006	220	38,070	E2	2,289	
IDDRPM404006	220	59,172	E2	2,485	
IDDRPM405004	220	48,538	E2	2,285	
IDDRPM406004	220	59,172	E2	2,535	
IDDRPM4410004	220	92,546	E2	3,890	
IDDRPM445006	220	92,546	E2	3,875	
IDDRPM447004	220	73,848	E2	3,180	
IDFRPM18104C	219	3,858	E2	208	
IDFRPM21154C	219	4,805	E2	310	
IDFRPM21204C	219	4,721	E2	318	
IDFRPM21254C	219	5,190	E2	380	
IDFRPM25304C	219	5,462	E2	500	
IDFRPM25404	219	5,942	E2	650	
IDFRPM28504	219	10,149	E2	775	
IDFRPM28604	219	10,149	E2	855	
IDFRPM28754	219	12,125	E2	800	
IDGM2500	235,350	675	E2	22	
IDGM2501	235,350	675	E2	22	
IDGM2503	235,350	675	E2	22	
IDGM2506	235,350	675	E2	22	
IDGM2508	235,350	675	E2	22	
IDGM2509	235,350	675	E2	22	
IDGMP2500	235,365	616	E2	20	
IDGMP2501	235,365	616	E2	20	
IDGMP2503	235,365	616	E2	20	
IDGMP2505	235,365	654	E2	20	
IDM2276T	229	4,782	E2	286	
IDM2332T	229	5,842	E2	328	
IDM2333T	229	3,285	E2	255	
IDM2333T-5	229	3,285	E2	255	
IDM2334T	229	3,509	E2	286	
IDM2334T-5	229	3,509	E2	286	
IDM3581T	229	1,531	E2	64	
IDM3581T-5	229	1,531	E2	61	
IDM3582T	229	1,798	E2	67	
IDM3584T	229	1,619	E2	69	
IDM3584T-5	229	1,619	E2	62	
IDM3587T	229	1,731	E2	73	
IDM3587T-5	229	1,731	E2	71	
IDM3661T	229	2,212	E2	109	IDM3665T
IDM3661T-5	229	2,212	E2	103	
IDM3664T	229	2,077	E2	116	
IDM3665T	229	2,340	E2	120	
IDM3665T-5	229	2,340	E2	120	
IDM3667T	229	2,022	E2	111	
IDM3764T	229	2,717	E2	172	
IDM3768T	229	3,326	E2	200	
IDM3770T	229	2,821	E2	176	
IDM3770T-5	229	2,821	E2	185	
IDM3774T	229	3,022	E2	219	

<sup>(1)</sup> Shipping weight is approximate.

<sup>(2)</sup> Baldor has suggested alternate products, however there may be slight differences in performance, efficiency, voltage range, dimensions and mounting. Customers should verify suitability of selected products for their specific application.

Catalog Number	Page Number	List Price	Mult Sym	Ship Wgt <sup>(1)</sup>	Alternate Cat Number <sup>(2)</sup>
IDM3774T-5	229	3,022	E2	196	
IDM4100T	229	6,926	E2	422	
IDM4102T	229	7,798	E2	451	
IDM4103T	230	4,327	E2	424	
IDM4104T	230	4,963	E2	455	
IDM4110T	230	6,712	E2	608	
IDM4111T	230	8,887	E2	565	
IDM4115T	230	7,533	E2	632	
IDM4117T	230	9,891	E2	596	
IDM4404T	230	17,902	E2	1,165	
IDM4406T-4	230	23,285	E2	1,630	
IDNM2237T	229	2,708	E2	238	
IDNM2238T	229	2,833	E2	281	
IDNM2333T	229	2,918	E2	286	
IDNM2334T	229	4,032	E2	410	
IDNM3534	229	436	E2	29	
IDNM3538	229	510	E2	32	
IDNM3542	229	568	E2	31	
IDNM3581T	229	1,159	E2	59	IDNM3584T
IDNM3584T	229	1,279	E2	57	
IDNM3587T	229	1,336	E2	64	
IDNM3661T	229	1,751	E2	105	
IDNM3665T	229	1,953	E2	112	
IDNM3669T	229	1,551	E2	96	
IDNM3767T	229	2,177	E2	166	
IDNM3770T	229	2,260	E2	196	
IDNRPM18054C	219	3,232	E2	170	
IDNRPM18074C	219	3,716	E2	225	
IDNRPM21104C	219	4,400	E2	300	
IDVSM2333T	226	3,339	E2	329	
IDVSM2334T	226	3,620	E2	356	
IDVSM3661T	226	1,476	E2	126	
IDVSM3665T	226	1,711	E2	144	
IDVSM3770T	226	2,201	E2	181	
IDVSM3774T	226	2,870	E2	200	
IDVSM4103T	226	4,597	E2	437	
IDVSM4104T	226	5,022	E2	450	
IDVSM4110T	226	5,794	E2	672	
IDVSM4115T	226	7,081	E2	627	
IDVSM4314T	226	8,772	E2	889	
IDVSM4316T	226	10,986	E2	888	
IDVSM4400T-4	226	14,198	E2	1,257	
IDVSM4406T-4	226	21,033	E2	1,822	
IDVSM4407T-4	226	24,922	E2	2,275	
IDVSM4408T-4	226	35,224	E2	2,650	
IDVSM4410T-4	226	17,624	E2	1,657	
IDVSM44304T-4	226	35,224	E2	2,808	
IDVSNM2237T	226	2,263	E2	175	
IDVSNM2238T	226	3,104	E2	296	
IDVSNM2333T	226	3,734	E2	331	
IDVSNM3534	226	436	E2	35	
IDVSNM3538	226	510	E2	35	
IDVSNM3542	226	568	E2	34	
IDVSNM3546	226	924	K	45	

Catalog Number	Page Number	List Price	Mult Sym	Ship Wgt <sup>(1)</sup>	Alternate Cat Number <sup>(2)</sup>
IDVSNM3581T	226	1,159	E2	62	
IDVSNM3584T	226	1,279	E2	66	
IDVSNM3587T	226	1,336	E2	69	
IDVSNM3661T	226	1,518	E2	126	
IDVSNM3665T	226	1,759	E2	148	
IDVSWDM3538	99,231	1,356	E2	29	
IDVSWDM3542	99,231	1,541	E2	36	
IDVSWDM3546	99,231	1,599	E2	39	
IDVSWDM3546T	99,231	1,599	E2	39	
IDVSWDM3554	99,231	1,710	E2	49	
IDVSWDM3554T	99,231	1,710	E2	51	
IDVSWDM3558	99,231	1,821	E2	49	
IDVSWDM3558T	99,231	1,821	E2	49	
IDVSWDM3611T	99,231	1,915	E2	73	
IDVSWDM3615T	99,231	2,232	E2	101	
IDWNM22937T	100,234	3,168	E2	242	
IDWNM22938T	100,234	3,710	E2	291	
IDWNM3546T	100,234	1,367	E2	39	
IDWNM3554T	100,234	1,506	E2	50	
IDWNM3609T	100,234	1,659	E2	69	
IDWNM3611T	100,234	1,807	E2	80	
IDWNM3707T	100,234	2,045	E2	122	
IDXM7002	232	1,049	E2	45	
IDXM7006	232	1,078	E2	39	
IDXM7010	232	1,102	E2	43	
IDXM7014T	232	1,227	E2	51	
IDXM7034T	232	1,271	E2	60	
IDXM7037T	232	1,390	E2	67	
IDXM7054T	232	3,550	E2	356	
IDXM7056T	232	4,606	E2	393	
IDXM7058T	232	5,458	E2	541	
IDXM7060T	232	6,657	E2	561	
IDXM7062T	232	8,917	E2	782	
IDXM7064T	232	10,374	E2	785	
IDXM7066T	232	11,845	E2	967	
IDXM7068T	232	13,131	E2	1,259	
IDXM7142T	232	1,512	E2	142	
IDXM7144T	232	1,798	E2	158	
IDXM7147T	232	2,261	E2	228	
IDXM7170T	232	3,100	E2	196	
IDXM7542T	232	1,586	E2	147	
IDXM7544T	232	2,311	E2	212	
IDXM7547T	232	3,249	E2	225	
IDXM7554T	232	4,715	E2	381	
IDXM7556T	232	5,718	E2	523	
IDXM7558T	232	6,885	E2	742	
IDXM7560T	232	8,013	E2	747	
IDXM7562T	232	8,963	E2	913	
IDXM7564T	232	11,181	E2	971	
IDXM7566T	232	13,245	E2	1,265	
IDXM7570T	232	3,636	E2	378	
IM3540A	154	642	K	41	
IM3540A-P	154	623	K	38	
IR3507M	156	567	K	40	

(1) Shipping weight is approximate.

(2) Baldor has suggested alternate products, however there may be slight differences in performance, efficiency, voltage range, dimensions and mounting. Customers should verify suitability of selected products for their specific application.

Gearmotors and Gear Products

PT Components

Motor Accessories

Grinders

Gearmotors

Servo Motors and Controls

Mod Express

Baldor Education Workshop

Classifications and Sales Offices

EISA Reference Table & Index

Catalog Number	Page Number	List Price	Mult Sym	Ship Wgt <sup>(1)</sup>	Alternate Cat Number <sup>(2)</sup>
IR3510M	156	615	K	40	
IR3603M	156	1,226	L1	65	IR3605M
IR3605M	156	1,276	L1	75	
JL1205A	117	238	K	27	
JL1301A	117	274	K	23	
JL1303A	117	268	K	26	CJL1303A
JL1304A	117	322	K	25	
JL1306A	117	352	K	28	CJL1306A
JL1307A	117	407	K	33	
JL1309A	117	365	K	33	CJL1309A
JL1313A	117	509	K	37	CJL1313A
JL1317A	117	628	K	43	CJL1317A
JL1323A	117	645	K	52	JL825A
JL3405A	116	276	K	23	
JL3501A	116	344	K	22	
JL3503A	116	316	K	25	
JL3504A	116	400	K	26	
JL3506A	116	376	K	28	
JL3507A	116	475	K	32	
JL3509A	116	460	K	41	
JL3510A	116	545	K	42	
JL3513A	116	545	K	44	
JL3514A	116	598	K	49	
JL3515A	116	641	K	54	
JL3516A	116	681	K	50	
JL5003A	120	609	K	37	
JL5006A	120	681	K	40	
JL5009A	120	730	K	48	
JL5030	120	939	K	52	
JL5031	120	1,020	K	59	
JM225	119	227	K	17	
JM245	119	239	K	26	
JM3006	119	282	K	19	JM225
JM3107	119	298	K	22	JM3111
JM3108	119	356	K	22	JM345
JM3111	119	353	K	23	JM3115
JM3112	119	393	K	26	JM445
JM3115	119	393	K	26	JM3120
JM3116	119	431	K	29	JM545
JM3120	119	469	K	30	JM3155
JM3154	119	513	K	33	
JM3155	119	557	K	34	JM3158
JM3158	119	661	K	41	JM3559
JM325	119	248	K	22	
JM3457	118	309	K	19	
JM3458	118	335	K	21	
JM3460	118	335	K	21	JM3463
JM3461	118	395	K	22	
JM3463	118	366	K	23	JM3545
JM3542	118	426	K	26	
JM3545	118	437	K	26	JM3550
JM3546	118	453	K	31	
JM3550	118	453	K	31	JM3555
JM3554	118	498	K	32	

Catalog Number	Page Number	List Price	Mult Sym	Ship Wgt <sup>(1)</sup>	Alternate Cat Number <sup>(2)</sup>
JM3555	118	574	K	40	JM3559
JM3558	118	555	K	41	
JM3559	118	623	K	44	
JM425	119	259	K	23	
JM525	119	295	K	27	
JM625	119	316	K	25	
JM7013	120	809	K	30	
JM7018	120	825	K	40	
JM7071	120	864	K	48	
JML1406T	121	870	L1	70	JML3606T
JML1408T	121	998	L1	77	
JML1409T	121	1,229	L1	78	JML3608T
JML1508T	121	1,416	L1	118	
JML1509T	121	1,763	L1	116	
JML1510T	121	1,865	L1	137	
JML1511T	121	2,168	L1	139	
JML1512T	121	2,308	L1	155	
JML3606T	121	912	L1	78	
JML3608T	121	1,216	L1	91	
JMM2333T	123	2,506	L1	233	
JMM2333T-5	196	2,506	L1	203	
JMM2334T	123	2,653	L1	280	
JMM2394T	123	2,570	L1	219	
JMM2394T-5	196	2,570	L1	192	
JMM2506T	125	1,419	L1	149	
JMM2511T	125	1,759	L1	246	
JMM2513T	125	1,806	L1	190	JMM2333T
JMM2514T	125	2,170	L1	213	
JMM2515T	125	2,190	L1	208	JMM2334T
JMM2516T	125	2,688	L1	177	
JMM2524T	125	2,294	L1	255	
JMM2531T	125	2,714	L1	290	
JMM2534T	125	2,757	L1	286	
JMM2535T	125	3,111	L1	314	
JMM2538T	126	4,050	L1	331	
JMM2539T	126	4,034	L1	409	
JMM2542T	126	4,406	L1	377	
JMM2543T	126	4,589	L1	378	
JMM2546T	126	5,484	L1	403	
JMM3116T	124	535	L1	31	JMM3546T
JMM3120T	124	557	L1	35	JMM3550T
JMM3154T	124	528	L1	38	JMM3554T
JMM3155T	124	617	L1	34	JMM3555T
JMM3157T	124	604	L1	38	JMM3558T
JMM3158T	124	654	L1	43	JMM3559T
JMM3158T-5	196	654	L1	45	
JMM3211T	124	648	L1	60	JMM3611T
JMM3211T-5	196	648	L1	60	
JMM3212T	125	735	L1	62	
JMM3212T-5	196	735	L1	62	
JMM3218T	125	701	L1	64	JMM3615T
JMM3218T-5	196	701	L1	73	
JMM3219T	125	899	L1	57	JMM3616T
JMM3219T-5	196	899	L1	70	

<sup>(1)</sup> Shipping weight is approximate.

<sup>(2)</sup> Baldor has suggested alternate products, however there may be slight differences in performance, efficiency, voltage range, dimensions and mounting. Customers should verify suitability of selected products for their specific application.

Catalog Number	Page Number	List Price	Mult Sym	Ship Wgt <sup>(1)</sup>	Alternate Cat Number <sup>(2)</sup>
JMM3309T	125	1,125	L1	123	
JMM3311T	125	1,018	L1	101	JMM3710T
JMM3311T-5	196	1,018	L1	95	
JMM3312T	125	1,223	L1	96	
JMM3312T-5	196	1,223	L1	92	
JMM3313T	125	1,209	L1	110	JMM3714T
JMM3313T-5	196	1,209	L1	110	
JMM3314T	125	1,643	L1	117	JMM3713T
JMM3314T-5	196	1,643	L1	113	
JMM3546T	122	579	L1	36	JMWDM3546T
JMM3546T-5	196	579	L1	41	
JMM3550T	122	608	L1	37	
JMM3550T-5	196	608	L1	36	
JMM3554T	122	608	L1	38	JMM3558T
JMM3554T-5	196	608	L1	46	
JMM3555T	122	678	L1	45	JMM3559T
JMM3555T-5	196	678	L1	47	
JMM3558T	122	635	L1	44	JMWDM3558T
JMM3558T-5	196	635	L1	49	
JMM3559T	122	760	L1	50	
JMM3559T-5	196	760	L1	50	
JMM3610T	122	788	L1	53	
JMM3610T-5	196	788	L1	67	
JMM3611T	122	760	L1	64	JMWDM3611T
JMM3611T-5	196	760	L1	63	
JMM3613T	122	973	L1	76	JMM3616T
JMM3613T-5	196	973	L1	75	
JMM3615T	122	850	L1	78	JMWDM3615T
JMM3615T-5	196	850	L1	79	
JMM3616T	122	1,101	L1	91	JMWDM3616T
JMM3616T-5	196	1,101	L1	88	
JMM3709T	122	1,240	L1	109	
JMM3710T	122	1,087	L1	124	JMWDM3710T
JMM3710T-5	196	1,087	L1	122	
JMM3711T	122	1,483	L1	131	JMM3713T
JMM3711T-5	196	1,483	L1	127	
JMM3713T	123	1,954	L1	159	JMWDM3713T
JMM3713T-5	196	1,954	L1	151	
JMM3714T	122	1,372	L1	137	JMWDM3714T
JMM3714T-5	196	1,372	L1	134	
JMM4103T	123	3,100	L1	372	
JMM4104T	123	3,820	L1	335	
JMM4106T	123	2,828	L1	260	
JMM4107T	123	3,177	L1	378	
JMM4108T	123	4,158	L1	380	
JMM4109T	123	4,991	L1	511	
JMM4110T	123	4,811	L1	535	
JMM4114T	123	5,444	L1	470	
JMM4115T	123	5,640	L1	550	
JMM7026T	120	1,292	L1	84	
JMM7045T	120	2,301	L1	146	
JMM7072T	120	1,746	L1	101	
JMM7073T	120	1,963	L1	118	
JMM7074T	120	2,606	L1	171	

Catalog Number	Page Number	List Price	Mult Sym	Ship Wgt <sup>(1)</sup>	Alternate Cat Number <sup>(2)</sup>
JMM7075T	120	1,292	L1	65	
JMSSEWDM3546T	92,127	1,591	WD	40	
JMSSEWDM3550T	92,127	1,595	WD	51	
JMSSEWDM3554T	92,127	1,604	WD	53	
JMSSEWDM3555T	92,127	1,885	WD	55	
JMSSEWDM3558T	92,127	1,911	WD	57	
JMSSEWDM3559T	92,127	2,264	WD	59	
JMSSEWDM3611T	92,127	2,377	WD	99	
JMSSEWDM3613T	92,127	2,560	WD	105	
JMSSEWDM3615T	92,127	2,578	WD	120	
JMSSEWDM3709T	92,127	3,018	WD	129	
JMSSEWDM3710T	92,127	3,074	WD	135	
JMSSEWDM3711T	92,127	3,384	WD	154	
JMSSEWDM3714T	92,127	3,570	WD	187	
JMWDM3546T	92,127	841	WD	42	JMWDM3554T
JMWDM3550T	92,127	880	WD	37	JMWDM3555T
JMWDM3554T	92,127	880	WD	45	JMWDM3558T
JMWDM3555T	92,127	978	WD	44	JMWDM3559T
JMWDM3558T	92,127	920	WD	44	
JMWDM3559T	92,127	1,101	WD	49	
JMWDM3611T	92,127	1,101	WD	69	JMWDM3615T
JMWDM3613T	92,127	1,411	WD	80	JMWDM3616T
JMWDM3615T	92,127	1,232	WD	85	
JMWDM3616T	92,127	1,599	WD	94	
JMWDM3710T	92,127	1,575	WD	123	JMWDM3714T
JMWDM3711T	92,127	2,149	WD	132	JMWDM3713T
JMWDM3713T	92,127	2,560	WD	154	
JMWDM3714T	92,127	1,990	WD	141	
JPL1406T	121	870	L1	71	
JPL1408T	121	998	L1	81	
JPL1409T	121	1,229	L1	88	
JPL1508T	121	1,416	L1	124	
JPL1509T	121	1,763	L1	118	
JPL1510T	121	1,865	L1	142	
JPL1511T	121	2,168	L1	145	
JPL1512T	121	2,308	L1	157	
JPM2333T	123	2,506	L1	236	
JPM2334T	123	2,653	L1	283	JPM2515T
JPM2394T	123	2,570	L1	223	JPM2514T
JPM2513T	125	1,806	L1	156	JPM2333T
JPM2514T	125	2,170	L1	209	
JPM2515T	125	2,190	L1	217	
JPM2516T	125	2,688	L1	177	
JPM2531T	125	2,714	L1	303	JPM4103T
JPM2534T	125	2,757	L1	307	
JPM2535T	125	3,111	L1	322	
JPM2538T	126	4,050	L1	342	
JPM2539T	126	4,034	L1	367	
JPM2542T	126	4,406	L1	367	
JPM2543T	126	4,589	L1	408	
JPM2547T	126	5,213	L1	505	
JPM2551T	126	6,846	L1	528	
JPM3116T	124	535	L1	33	
JPM3154T	124	528	L1	40	JPM3554T

(1) Shipping weight is approximate.

(2) Baldor has suggested alternate products, however there may be slight differences in performance, efficiency, voltage range, dimensions and mounting. Customers should verify suitability of selected products for their specific application.

Gearmotors and Gear Products  
 PT Components  
 Motor Accessories  
 Grinders  
 Generators  
 Servo Motors and Controls  
 Mod Express  
 Baldor Education Workshops  
 Classifications and Sales Offices

Gearmotors and Gear Products

PT Components

Motor Accessories

Grinders

Gearmotors

Servo Motors and Controls

Mod Express

Baldor Education Workshop

Classifications and Sales Offices

EISA Reference Table & Index

Catalog Number	Page Number	List Price	Mult Sym	Ship Wgt <sup>(1)</sup>	Alternate Cat Number <sup>(2)</sup>
JPM3157T	124	604	L1	39	JPM3558T
JPM3158T	124	654	L1	44	JPM3559T
JPM3211T	124	648	L1	62	JPM3611T
JPM3212T	125	735	L1	63	
JPM3218T	125	701	L1	66	JPM3615T
JPM3219T	125	899	L1	71	JPM3616T
JPM3311T	125	1,018	L1	103	JPM3710T
JPM3312T	125	1,223	L1	97	
JPM3313T	125	1,209	L1	119	JPM3714T
JPM3314T	125	1,643	L1	124	JPM3713T
JPM3554T	122	608	L1	39	JPM3558T
JPM3555T	122	678	L1	45	JPM3559T
JPM3558T	122	635	L1	47	JPWDM3558T
JPM3559T	122	760	L1	51	
JPM3610T	122	788	L1	55	
JPM3611T	122	760	L1	66	JPWDM3611T
JPM3613T	122	973	L1	77	JPM3616T
JPM3615T	122	850	L1	82	JPWDM3615T
JPM3616T	122	1,101	L1	91	JPWDM3616T
JPM3709T	122	1,240	L1	110	
JPM3710T	122	1,112	L1	124	JPWDM3710T
JPM3711T	122	1,483	L1	133	JPM3713T
JPM3713T	123	1,954	L1	154	
JPM3714T	122	1,372	L1	140	
JPM4103T	123	3,100	L1	310	
JPM4104T	123	3,820	L1	322	
JPM4106T	123	2,828	L1	261	
JPM4107T	123	3,177	L1	282	
JPM4108T	123	4,158	L1	297	
JPM4109T	123	4,991	L1	519	
JPM4110T	123	4,811	L1	500	
JPM4114T	123	5,444	L1	550	
JPM4115T	123	5,640	L1	556	
JSL325A	118	331	K	24	JSL1303A
JSL425A	118	351	K	26	JSL1306A
JSL525A	118	375	K	29	JSL1309A
JSL625A	118	511	K	41	JSL1313A
JSL725A	118	513	K	47	JSL1317A
JSM3107	118	298	K	21	JSM325
JSM3111	118	352	K	23	JSM425
JSM3115	118	390	K	28	JSM525
JSM3120	118	465	K	30	JSM625
JSM3155	118	551	K	34	JSM725
K18G0060	406	223	P1	9	
K18G19	406	160	P1	3	
K18G2	406	160	P1	290	
K18G21	406	107	P1	11	
K18G3	397	162	A8	13	
K18G5	397	169	A8	15	
K18G50	406	290	P1		
K18G6	399	492	A8	18	
K18G7	406	91	P1	80	
K21G18	406	397	P1	18	
K21G19	406	200	P1	2	

Catalog Number	Page Number	List Price	Mult Sym	Ship Wgt <sup>(1)</sup>	Alternate Cat Number <sup>(2)</sup>
K21G2	406	200	P1	19	
K21G3	397	201	A8	16	
K21G50	406	397	P1	22	
K21G6	399	603	A8	128	
K21G7	406	91	P1	13	
K25G0060	406	262	P1	32	
K25G18	406	542	P1	37	
K25G2	397	344	A8	26	
K25G23	406	118	P1	8	
K25G3	406	484	P1	31	
K25G50	406	542	P1	115	
K25G8	406	121	P1	19	
K28G0060	406	262	P1	29	
K28G18	406	638	P1	60	
K28G2	397	399	A8	38	
K28G23	406	138	P1	9	
K28G3	406	580	P1	307	
K28G50	406	638	P1	40	
K28G8	406	121	P1	106	
K28G9	406	234	P1	82	
K32G0060	406	359	P1	38	
K32G18	406	697	P1	83	
K32G2	397	491	A8	45	
K32G23	406	146	P1	24	
K32G50	406	697	P1	191	
K32G8	406	239	P1	35	
K36G0060	406	542	P1	43	
K36G16	406	273	P1	158	
K36G18	406	1,122	P1	897	
K36G2	397	637	A8	69	
K36G50	406	1,122	P1	629	
K36G8	406	239	P1	36	
K36G9	406	262	P1	25	
K40G2	397	948	A8	113	
K40G3	406	290	P1	24	
K40G8	406	262	P1	36	
K40G9	406	290	P1	30	
K44G0060	406	610	P1	75	
K44G5	406	619	P1	122	
K44G8	406	290	P1	50	
K44G9	406	311	P1	137	
K49G0060	406	1,016	P1	138	
K56G3233	406	99	P1	78	
K56H3055	397	61	A8	2	
K56H3260	406	152	P1	6	
K99G70	228	1,400	E8	9	
K99G71	228	1,400	E8	9	
K99G72	228	1,400	E8	6	
K99G73	228	1,400	E8	6	
K99G74	228	1,400	E8	6	
K99G75	228	1,400	E8	6	
K99G76	228	1,400	E8	6	
K99G77	228	1,400	E8	6	
K99G78	228	1,575	E8	8	

(1) Shipping weight is approximate.

(2) Baldor has suggested alternate products, however there may be slight differences in performance, efficiency, voltage range, dimensions and mounting. Customers should verify suitability of selected products for their specific application.



Catalog Number	Page Number	List Price	Mult Sym	Ship Wgt <sup>(1)</sup>	Alternate Cat Number <sup>(2)</sup>
K99G79	228	1,575	E8	8	
K99G80	228	1,400	E8	6	
K99G81	228	1,400	E8	6	
KBL3406	179	828	K	28	KBL3409
KBL3409	179	909	K	33	VBL3507
KBM3454	179	734	K	26	KBM3458
KBM3458	179	780	K	28	VBM3538
KENM3454	55	452	K	30	
KENM3534	55	499	K	31	
KENM3535	55	733	K	35	
KL1200	45	263	K	18	KL1203
KL1203	45	268	K	20	KL3403
KL1205	45	255	K	21	KL1205A
KL1205A	45	261	K	21	VL1303A
KL3400	42	311	K	18	KL3403
KL3401	42	435	K	23	
KL3403	42	320	K	20	VL3501
KL3405	42	295	K	21	VL3503
KM3003	64	274	K	19	VM3104
KM3006	64	280	K	20	VM3107
KM3454	55	290	K	19	VM3534
KM3454-50	213	318	K	19	VM3534-50
KM3457	55	296	K	20	VM3537
KNM3454	55	306	K	19	KNM3534
KNM3457/35	55	477	K	29	
KNM3534	55	339	K	22	
L1177T	41	5,173	L1	322	
L1200	43	246	K	18	L1203
L1201	43	376	K	23	L3401
L1203	43	250	K	21	L1203M
L1203M	43	287	K	20	L3403M
L1204	43	402	K	25	L3404
L1205	43	236	K	20	L3405
L1205-50	211	272	K	22	L1208-50
L1206	43	287	K	21	L1206M
L1206-50	211	331	K	24	L1209-50
L1206M	43	323	K	22	L3406M
L1207	43	429	K	28	L3407
L1208	43	261	K	22	L3408
L1208-50	211	299	K	26	
L1209	43	361	K	24	L1209M
L1209-50	211	416	K	28	L3409-50
L1209M	43	401	K	24	L3409M
L1300	43	418	K	26	L3500
L1301	43	290	K	22	L3501
L1301M	43	340	K	22	L3501M
L1302	43	429	K	29	L3502
L1303	43	261	K	21	L3503
L1304	43	321	K	24	L1304A
L1304-50	211	377	K	29	L3504-50
L1304A	43	382	K	25	L3504M
L1304M	43	401	K	25	L3504A
L1305	43	645	K	38	L3505
L1306	43	319	K	26	L1306A

Catalog Number	Page Number	List Price	Mult Sym	Ship Wgt <sup>(1)</sup>	Alternate Cat Number <sup>(2)</sup>
L1306-50	211	365	K	29	L3506-50
L1306A	43	335	K	29	L1309A
L1307	43	396	K	32	L1307A
L1307-50	211	466	K	38	L3507-50
L1307A	43	465	K	32	L1307M
L1307M	43	477	K	32	L1307A
L1308	43	726	K	42	
L1309	43	334	K	31	L1309A
L1309-50	211	384	K	35	L3509-50
L1309A	43	356	K	30	L1313A
L1310	43	433	K	34	L3510
L1310M	43	554	K	36	L3510M
L1313	44	469	K	34	L1313A
L1313-50	211	539	K	44	L3513-50
L1313A	44	490	K	40	L1317A
L1313T	44	469	L1	37	L3513T
L1317	44	623	K	43	L1317A
L1317-50	211	718	K	48	L3515-50
L1317A	44	641	K	44	L3515M
L1318	43	474	K	39	L1318M
L1318-50	211	568	K	39	L3510-50
L1318M	43	516	K	39	L3510M
L1318T	43	494	L1	42	L1318TM
L1318TM	43	516	L1	42	L3510TM
L1319	44	559	K	41	L1319M
L1319-50	211	656	K	41	L3514-50
L1319M	44	623	K	42	L3514M
L1319T	44	528	L1	42	L1321T
L1320T	44	668	L1	46	L3515T
L1321T	44	634	L1	45	L1321TM
L1321TM	44	687	L1	45	L3514TM
L1322T	44	646	L1	48	L1322TM
L1322TM	44	703	L1	45	
L1401	43	704	L1	50	L1401M
L1401M	43	764	L1	48	L1401
L1403	44	786	L1	56	L1403M
L1403M	44	833	L1	56	L3605M
L1405	44	825	L1	64	L3605
L1405T	44	663	L1	65	L3605T
L1405T-50	211	762	L1	65	L3605T-50
L1406T	44	760	L1	65	L3606T
L1407	43	1,235	L1	63	L3607
L1408T	44	717	L1	73	L1408TM
L1408T-50	211	823	L1	89	L3609T-50
L1408TM	44,161	844	L1	78	L3609TM
L1409T	44	904	L1	76	L3608T
L1410T	44	850	LS	86	L1410TM
L1410TM	44,161	1,027	L1	84	L3612TM
L1413	163	1,118	L1	51	
L1414	163	1,307	L1	56	
L1430T	44	778	L1	79	
L1430TM	44	1,027	L1	84	
L1502	44	1,417	L1	82	
L1503	44	1,929	L1	104	L3703

(1) Shipping weight is approximate.

(2) Baldor has suggested alternate products, however there may be slight differences in performance, efficiency, voltage range, dimensions and mounting. Customers should verify suitability of selected products for their specific application.

Gearmotors and Gear Products  
PT Components  
Motor Accessories  
Grinders  
Gearmotors  
Servo Motors and Controls  
Mod Express  
Baldor Education Workshop  
Classifications and Sales Offices  
EISA Reference Table & Index

Catalog Number	Page Number	List Price	Mult Sym	Ship Wgt <sup>(1)</sup>	Alternate Cat Number <sup>(2)</sup>
L1505	44	1,570	L1	102	L3705
L1506	44	2,254	L1	111	L3706
L1508T	44	1,120	L1	113	L3708T
L1508T-50	211	1,289	L1	113	L3708T-50
L1509T	44	1,397	L1	101	L3709T
L1510T	44	1,216	L1	134	L3710T
L1511T	44	1,762	L1	130	L3711T
L1512T	44	1,775	L1	140	L3712T
L3	468	24	A8	1	
L3351	40	261	K	15	L3353
L3352	40	267	K	15	L3354
L3353	40	271	K	16	L3355
L3354	40	280	K	16	L3356
L3355	40	296	K	18	
L3356	40	299	K	18	
L3400	40	295	K	18	L3403
L3401	40	416	K	23	L3404
L3403	40	303	K	20	L3403M
L3403M	40	347	K	20	L3406M
L3404	40	443	K	26	L3407
L3405	40	276	K	20	L3408
L3406	40	321	K	21	L3406M
L3406M	40	365	K	22	L3409M
L3407	40	487	K	27	
L3408	40	312	K	21	
L3409	40	357	K	26	L3409M
L3409-50	211	419	K	32	
L3409M	40	429	K	27	
L3500	40	465	K	27	L3502
L3501	40	311	K	22	L3501M
L3501-50	211	368	K	25	L3504-50
L3501M	40	365	K	22	FDL3501M
L3502	40	487	K	29	
L3503	40	312	K	22	L3506
L3503-50	211	360	K	27	L3506-50
L3504	40	365	K	27	L3504A
L3504-50	211	419	K	33	L3507-50
L3504A	40	436	K	27	L3504M
L3504M	40	429	K	27	FDL3504M
L3505	40	691	K	43	L3508
L3506	40	351	K	29	
L3506-50	211	402	K	35	L3509-50
L3507	40	420	K	34	L3507A
L3507-50	211	498	K	38	L3510-50
L3507A	40	527	K	34	
L3507M	40	504	K	34	
L3508	40	799	K	41	
L3508T	40	787	L1	44	
L3509	41	407	K	37	L3509M
L3509-50	211	468	K	41	L3513-50
L3509M	41	460	K	40	L3513M
L3510	41	477	K	40	L3510A
L3510-50	211	573	K	46	L3514-50
L3510A	41	592	K	40	FDL3510M

Catalog Number	Page Number	List Price	Mult Sym	Ship Wgt <sup>(1)</sup>	Alternate Cat Number <sup>(2)</sup>
L3510M	41	572	K	41	L3510A
L3510T	41	486	L1	37	L3510TM
L3510TM	41	572	L1	37	FDL3510TM
L3513	41	545	K	41	L3513A
L3513-50	211	616	K	46	L3515-50
L3513M	41	624	K	45	L3513A
L3513T	41	535	L1	41	
L3514	41	551	K	48	L3514A
L3514-50	211	647	K	50	
L3514A	41	702	K	49	L3514M
L3514M	41	646	K	50	FDL3514M
L3514T	41	559	L1	44	L3514TM
L3514T-50	211	647	L1	50	
L3514TM	41	646	L1	48	FDL3514TM
L3515	41	696	K	51	L3515M
L3515-50	211	801	K	52	
L3515M	41	729	K	51	L1317A
L3515T	41	702	L1	51	CL3515T
L3516T	41	893	L1	48	
L3516TM	41,161	919	K	46	FDL3516TM
L3565M	163	729	K	38	L3566M
L3566M	163	792	K	40	L3567M
L3567M	163	960	K	50	
L3576M	163	613	K	36	L3565M
L3601	41	878	L1	54	
L3603	41	956	L1	66	L3605
L3605	41	1,070	L1	66	L3605M
L3605M	41	1,147	L1	67	FDL3611M
L3605T	41	798	L1	67	L3605TM
L3605T-50	211	916	L1	78	
L3605TM	41	973	L1	71	FDL3611TM
L3606	41	1,510	L1	70	
L3606T	41	823	L1	73	
L3607	41	1,402	L1	71	
L3608T	41	1,133	L1	89	L3608TM
L3608TM	41,161	1,169	L1	86	CL3608TM
L3609T	41	939	L1	79	
L3609T-50	211	1,078	L1	92	
L3609TM	41,161	1,015	L1	79	FDL3619TM
L3612TM	41,161	1,180	L1	99	
L3613T	41	1,461	L1	75	
L3703	41	2,315	L1	114	L3706
L3705	41	1,825	L1	116	L3708
L3706	41	2,780	L1	109	
L3708	41	1,866	L1	130	FDL3731M
L3708T	41	1,120	L1	117	L3708TM
L3708T-50	211	1,289	L1	132	
L3708TM	41	1,316	L1	135	
L3709T	41	1,459	L1	121	
L3710T	41	1,480	L1	138	L3712T
L3711T	41	1,789	L1	145	
L3712T	41	1,816	L1	161	
L3912T	41	4,646	L1	288	
L4	468	26	A8	1	

<sup>(1)</sup> Shipping weight is approximate.

<sup>(2)</sup> Baldor has suggested alternate products, however there may be slight differences in performance, efficiency, voltage range, dimensions and mounting. Customers should verify suitability of selected products for their specific application.

Catalog Number	Page Number	List Price	Mult Sym	Ship Wgt <sup>(1)</sup>	Alternate Cat Number <sup>(2)</sup>
L4003A	101	487	K	27	
L4005A	101	432	K	28	
L4006A	101	628	K	29	
L4009A	101	691	K	36	
L5000A	101	465	K	28	
L5000A-C	101	579	K	32	
L5001A	101	598	K	29	
L5002A	101	847	K	41	
L5003A	101	567	K	30	
L5004A	101	659	K	35	
L5004A-C	101	773	K	41	
L5005A	101	976	K	50	
L5006A	101	640	K	40	
L5007A	101	775	K	48	
L5007A-C	101	888	K	52	
L5009A	101	691	K	48	
L5013	101	1,795	L1	75	
L5018	101	2,872	L1	152	
L5020	101	3,653	L1	171	
L5022	101	1,128	K	57	
L5023A	101	882	K	48	
L5023T	101	864	L1	48	
L5026	101	1,933	L1	82	
L5027T	101	1,819	L1	81	
L5028T	101	1,890	L1	81	
L5030T	101	1,001	L1	53	
L5031T	101	1,238	L1	60	
L7	468	48	A8	1	
LB73	366,401	42	A8	2	
LB73GR	366,401	42	A8	2	
LB74	366,401	60	A8	2	
LB75	366,401	83	A8	7	
LBA71	202	31			
LBA80	202	48			
LBA90	202	82			
LCB63X71	202	71			
LCB80X112	202	71			
LEP63FR	202	55			
LEP63PU	202	51			
LEP71FR	202	55			
LEP71PU	202	51			
LEP80FR	202	58			
LEP80PU	202	55			
LEP90FR	202	62			
LEP90PU	202	57			
LFC00015	202	34			
LFC00021	202	34			
LFC00035	202	38			
LFC00041	202	41			
LFL63B14	202	64			
LFL63B5	202	64			
LFL71B14	202	71			
LFL71B5	202	71			
LFL80B14	202	73			

Catalog Number	Page Number	List Price	Mult Sym	Ship Wgt <sup>(1)</sup>	Alternate Cat Number <sup>(2)</sup>
LFL80B5	202	73			
LFL90B14	202	82			
LFL90B5	202	82			
LFN00021	202	28			
LFN00031	202	28			
LFN00041	202	40			
LFN00051	202	45			
LPL50	468	428	G1	43	LPL75
LPL75	468	523	G1	48	
LRAC00201	303,304	258	E8	4	
LRAC00202	303,304	286	E8	4	
LRAC00401	303,304	306	E8	4	
LRAC00402	303,304	325	E8	4	
LRAC00403	303,304	338	E8	5	
LRAC00801	303,304	306	E8	7	
LRAC00802	303,304	379	E8	8	
LRAC00803	303,304	501	E8	11	
LRAC01201	303,304	495	E8	9	
LRAC01202	303,304	523	E8	10	
LRAC01801	303,304	519	E8	9	
LRAC01802	303,304	547	E8	12	
LRAC02501	303,304	623	E8	11	
LRAC02502	303,304	862	E8	14	
LRAC03501	303,304	661	E8	14	
LRAC03502	303,304	916	E8	16	
LRAC04501	303,304	697	E8	23	
LRAC04502	303,304	994	E8	28	
LRAC05501	303,304	740	E8	24	
LRAC05502	303,303	1,026	E8	27	
LRAC08001	303,304	779	E8	25	
LRAC08002	303,304	1,038	E8	33	
LRAC13001	303,304	948	E8	29	
LRAC13002	303,304	1,055	E8	43	
LRAC16001	303,304	1,102	E8	41	
LRAC16002	303,304	1,163	E8	50	
LRAC20002	303,304	1,615	E8	54	
LRAC25002	303,304	2,107	E8	80	
LRAC40002	303,304	2,704	E8	118	
LRAC50002	303,304	3,796	E8	118	
LRAC60002	303	5,914	E8	175	
LENC-13	304	379	E8	17	
LENC-15	304	570	E8	35	
LENC-20S	304	764	E8	50	
LENC-8	304	193	E8	12	
M1004T	160	670	L1	33	
M1005T	160	696	L1	35	
M1006T	160	804	L1	40	
M1007T	160	864	L1	56	
M1008T	160	1,040	L1	69	
M1009T	160	1,485	L1	111	
M1010T	160	1,684	L1	131	
M1019	160	719	K	34	
M1020T	160	775	L1	39	
M1021T	160	939	L1	56	

(1) Shipping weight is approximate.

(2) Baldor has suggested alternate products, however there may be slight differences in performance, efficiency, voltage range, dimensions and mounting. Customers should verify suitability of selected products for their specific application.

Gearmotors and Gear Products

PT Components

Motor Accessories

Grinders

Generators

Servo Motors and Controls

Mod Express

Baldor Education Workshops

Classifications and Sales Offices

EISA Reference Table & Index

Gearmotors and Gear Products

PT Components

Motor Accessories

Grinders

Gearmotors

Servo Motors and Controls

Mod Express

Baldor Education Workshop

Classifications and Sales Offices

EISA Reference Table & Index

Catalog Number	Page Number	List Price	Mult Sym	Ship Wgt <sup>(1)</sup>	Alternate Cat Number <sup>(2)</sup>
M1022T	160	1,071	L1	62	
M1023T	160	1,247	L1	69	
M1024T	160	1,920	L1	113	
M1025T	160	2,553	L1	211	
M11042-57	205	1,114	L1	98	
M11044-57	205	920	L1	113	
M1204T	160	670	L1	33	
M1205T	160	696	L1	35	
M1206T	160	804	L1	41	
M1207T	160	864	L1	57	
M1208T	160	1,040	L1	72	
M1209T	160	1,485	L1	112	
M1210T	160	1,684	L1	130	
M1211T	160	2,365	L1	234	
M1212T	160	2,899	L1	232	
M1213T	160	3,402	L1	312	
M1218	160	685	K	30	
M1219	160	719	K	34	
M1220T	160	775	L1	39	
M1221T	160	939	L1	56	
M1222T	160	1,071	L1	64	
M1223T	160	1,247	L1	69	
M1224T	160	1,920	L1	113	
M1225T	160	2,553	L1	209	
M1226T	160	2,884	L1	237	
M1227T	160	3,499	L1	318	
M1228T	160	4,693	L1	348	
M1229T	160	5,039	L1	349	
M13062-58	205	1,268	L1	168	
M13064-58	205	1,228	L1	178	
M13082-58	205	1,524	L1	198	
M13084-58	205	1,321	L1	196	
M1504T	158	998	L1	36	
M1505T	158	1,054	L1	46	
M1506T	158	1,280	L1	65	
M1507T	158	1,449	L1	82	
M1508T	158	1,894	L1	135	
M1509T	158	2,466	L1	130	
M1510T	158	3,798	L1	276	
M1519	158	777	K	34	
M1520T	158	812	L1	38	
M1521T	158	1,003	L1	56	
M1522T	158	1,150	L1	64	
M1523T	158	1,346	L1	71	
M1524T	158	2,109	L1	114	
M1554T	158	703	L1	31	
M1555T	158	731	L1	38	
M1556T	158	849	L1	42	
M1557T	158	913	L1	65	
M1558T	158	1,162	L1	83	
M1559T	158	1,652	L1	125	
M16112-58	205	2,089	L1	282	
M16114-58	205	1,874	L1	286	
M16152-58	205	2,286	L1	294	

Catalog Number	Page Number	List Price	Mult Sym	Ship Wgt <sup>(1)</sup>	Alternate Cat Number <sup>(2)</sup>
M16154-58	205	2,243	L1	315	
M16192-58	205	2,879	L1	310	
M1704T	158	998	L1	43	
M1705T	158	1,054	L1	50	
M1706T	158	1,280	L1	65	
M1707T	158	1,449	L1	84	
M1708T	158	1,894	L1	112	
M1709T	158	2,466	L1	168	
M1710T	158	3,798	L1	275	
M1711T	158	4,398	L1	265	
M1712T	158	5,588	L1	389	
M1713T	158	6,784	L1	396	
M1718	159	724	K	30	
M1719	159	801	K	32	
M1720T	159	812	L1	37	
M1721T	159	1,003	L1	55	
M1722T	159	1,150	L1	59	
M1723T	159	1,346	L1	73	
M1724T	159	2,109	L1	128	
M1725T	159	2,726	L1	219	
M1726T	159	3,138	L1	233	
M1727T	159	3,723	L1	356	
M1728T	159	5,049	L1	376	
M1729T	159	5,319	L1	513	
M1754T	158	703	L1	32	
M1755T	158	731	L1	38	
M1756T	158	849	L1	45	
M1757T	158	913	L1	63	
M1758T	158	1,162	L1	81	
M1759T	158	1,637	L1	125	
M1760T	158	1,928	L1	160	
M1761T	158	2,665	L1	248	
M1762T	158	3,151	L1	339	
M1763T	158	3,656	L1	363	
M18194-58	205	2,750	L1	437	
M18222-58	205	3,117	L1	202	
M18224-58	205	3,231	L1	470	
M20302-58	205	4,411	L1	625	
M20304-58	205	4,254	L1	608	
M20372-58	205	4,482	L1	725	
M2237	49	1,971	L1	242	
M22374-58	205	4,399	L1	808	
M2238	49	2,471	L1	270	
M22452-58	205	6,783	L1	808	
M22454-58	205	6,685	L1	808	
M2275	48	2,315	L1	203	
M2276	49	2,783	L1	231	
M2276T	49	1,624	L1	247	EM2276T
M2280T	48	2,785	L1	229	
M2332	49	3,556	L1	320	
M2332T	49	1,807	L1	269	EM2332T
M2333	49	3,402	L1	332	
M2333T	49	1,684	LS	196	
M2333T-5	187	1,684	LS	242	

(1) Shipping weight is approximate.

(2) Baldor has suggested alternate products, however there may be slight differences in performance, efficiency, voltage range, dimensions and mounting. Customers should verify suitability of selected products for their specific application.

Catalog Number	Page Number	List Price	Mult Sym	Ship Wgt <sup>(1)</sup>	Alternate Cat Number <sup>(2)</sup>
M2333T-50	212	1,933	L1	236	
M2333T-8	183	1,722	L1	222	EM2333T-8
M2333T-9	82	1,860	L1	239	
M2334	49	4,072	L1	377	
M2334T	49	2,034	LS	259	EM2334T
M2334T-12	49	2,091	L1	280	
M2334T-5	187	2,034	LS	265	
M2334T-50	212	2,333	L1	277	
M2334T-8	183	2,078	L1	261	EM2334T-8
M2334T-9	82	2,245	L1	280	
M2393	49	2,212	L1	198	
M2394	49	2,294	L1	220	
M2394T	49	1,895	L1	237	EM2394T
M2395T	49	4,959	L1	357	
M2401T	49	3,071	L1	256	
M2402T	49	3,566	L1	343	
M2504T	59	2,207	L1	129	M2280T
M2505	59	1,841	L1	106	M2237
M2506T	59	1,172	L1	247	EM2506T
M2508T	59	2,762	L1	255	M2401T
M2510	59	2,223	L1	177	M2238
M2511T	59	1,516	L1	228	EM2511T
M2513T	60	1,380	LS	187	EM2513T
M2513T-5	195	1,380	LS	171	EM2513T-5
M2513T-50	212	1,584	L1	192	
M2513T-8	184	1,412	L1	148	EM2513T-8
M2514T	60	1,759	L1	167	EM2514T
M2514T-8	184	1,803	L1	191	
M2515T	60	1,774	L1	187	EM2515T
M2515T-12	60	1,818	L1	272	
M2515T-5	195	1,774	L1	221	EM2515T-5
M2515T-50	212	2,040	L1	213	
M2515T-8	184	1,818	L1	191	EM2515T-8
M2516T	60	2,128	L1	202	EM2516T
M2516T-8	184	2,181	L1	201	
M2523	60	2,907	L1	272	M2333
M2524T	60	1,982	L1	289	EM2524T
M2527	60	3,335	L1	295	M2334
M2528T	60	2,431	L1	377	EM2528T
M2531	60	4,568	L1	387	M4103
M2531T	60	2,150	L1	245	EM2531T
M2531T-12	60	2,203	L1	245	
M2531T-5	195	2,150	L1	278	EM2531T-5
M2531T-8	184	2,203	L1	297	EM2531T-8
M2532T	60	3,416	L1	374	EM2532T
M2534T	60	2,252	L1	261	EM2534T
M2534T-8	184	2,309	L1	251	
M2535	60	5,013	L1	412	M4104
M25352T-4	62	23,915	L1	1,599	
M2535T	60	2,514	L1	287	EM2535T
M2535T-12	60	2,576	L1	283	
M2535T-5	195	2,514	L1	280	EM2535T-5
M2535T-8	184	2,576	L1	281	EM2535T-8
M2536T	60	3,599	L1	367	EM2536T

Catalog Number	Page Number	List Price	Mult Sym	Ship Wgt <sup>(1)</sup>	Alternate Cat Number <sup>(2)</sup>
M2538T	60	3,170	L1	320	EM2538T
M2538T-8	184	3,249	L1	290	
M2539T	60	3,205	L1	354	EM2539T
M2539T-12	60	3,284	L1	392	
M2539T-5	195	3,205	L1	387	EM2539T-5
M2539T-8	184	3,284	L1	341	EM2539T-8
M25402T-4	62	28,058	L1	2,300	
M25404T-4	62	25,644	L1	2,059	
M2540T	60	5,282	L1	567	EM2540T
M2542T	61	3,285	L1	386	EM2542T
M2542T-8	184	3,367	L1	391	
M2543T	61	3,762	L1	413	EM2543T
M2543T-12	61	3,855	L1	390	
M2543T-5	195	3,762	L1	383	EM2543T-5
M2543T-8	184	3,855	L1	427	EM2543T-8
M2543TS-12	61	3,855	L1	382	
M2544T	61	6,359	L1	610	EM2544T
M25452T-4	62	30,896	L1	1,819	
M25454T-4	62	29,002	L1	2,229	
M2546T	61	4,588	L1	389	EM2546T
M2547T	61	4,640	L1	487	EM2547T
M2547T-12	61	4,756	L1	523	
M2547T-5	195	4,640	L1	467	EM2547T-5
M2547TS-12	61	4,756	L1	479	
M2548T	61	7,568	L1	830	EM2548T
M2549T	61	5,475	L1	479	EM2549T
M2550T	61	6,190	L1	561	EM2550T
M2551T	61	5,695	L1	593	EM2551T
M2551T-12	61	5,836	L1	593	
M2551T-5	195	5,695	L1	593	M4316T-5
M2551TS-12	61	5,836	L1	557	
M2552T	61	8,934	L1	610	M4404T
M2554T-4	61	7,209	L1	575	EM2554T-4
M25552-58	205	8,217	L1	1,075	
M25554-58	205	8,132	L1	1,200	
M2555T	61	6,343	L1	797	
M2555T-12	61	6,501	L1	820	
M2555T-5	195	6,343	L1	687	
M2555TS-12	61	6,501	L1	578	
M2556T-4	62	9,730	L1	612	M2569T-4
M2557T-4	61	10,336	L1	1,321	M2560T-4
M2558T-4	62	9,439	L1	1,392	M4406T-4
M2558T-5	195	9,439	L1	1,470	
M2558TS-4	62	9,439	L1	1,386	
M2559T-4	61	7,293	L1	937	EM2559T-4
M2559T-5	195	7,293	L1	932	
M2559TS-4	61	7,293	L1	725	
M2560T-4	62	11,171	L1	1,421	M2564T-4
M2562T-4	62	10,731	L1	1,321	EM2562T-4
M2563T-4	62	11,012	L1	1,495	M2566T-4
M2564T-4	62	14,220	L1	1,522	
M2565T-4	62	13,369	L1	1,291	
M2566T-4	62	13,310	L1	1,511	M2569T-4
M2568T-4	62	20,897	L1	1,378	

Gearmotors and Gear Products

PT Components

Motor Accessories

Grinders

Generators

Servo Motors and Controls

Mod Express

Baldor Education Workshops

Classifications and Sales Offices

EISA Reference Table & Index

(1) Shipping weight is approximate.

(2) Baldor has suggested alternate products, however there may be slight differences in performance, efficiency, voltage range, dimensions and mounting. Customers should verify suitability of selected products for their specific application.

Gearmotors and Gear Products

PT Components

Motor Accessories

Grinders

Gearmotors

Servo Motors and Controls

Mod Express

Baldor Education Workshop

Classifications and Sales Offices

EISA Reference Table & Index

Catalog Number	Page Number	List Price	Mult Sym	Ship Wgt <sup>(1)</sup>	Alternate Cat Number <sup>(2)</sup>
M2569T-4	62	17,442	L1	1,528	
M2571T-4	62	23,915	L1	1,395	
M2572T-4	62	23,628	L1	2,039	
M25754-58	205	10,179	L1	1,255	
M2583T	61	9,658	L1	1,312	
M28752-58	205	10,466	L1	1,449	
M28902-58	205	14,207	L1	1,275	
M28904-58	205	13,976	L1	1,455	
M3003	58	257	K	18	M3454
M3004	58	416	K	19	M3455
M3006	58	261	K	19	M3457
M3007	58	276	K	20	M3458
M3008	58	407	K	21	M3011
M3009	58	276	K	19	M3460
M3010	58	346	K	22	M3461
M3011	58	450	K	23	
M3012	58	331	K	21	M3463
M3013	58	385	K	25	M3464
M3101	58	416	K	20	M3531
M3104	58	265	LS	20	M3534
M3104-5	195	265	LS	20	M3534-5
M3105	58	435	K	22	M3535
M3107	58	276	K	19	CM3107
M3108	58	301	LS	22	M3538
M3108-5	195	301	LS	22	M3538-5
M3108-50	212	346	K	25	M3538-50
M3108A	58	409	K	23	M3112A
M3109	58	478	K	25	M3539
M3111	58	324	K	21	M3541
M31112-58	205	16,851	L1	1,428	
M31114-58	205	16,355	L1	1,859	
M3112	58	336	LS	25	M3542
M3112-5	195	336	LS	25	M3542-5
M3112-50	212	385	K	26	M3542-50
M3112A	58	447	K	26	M3116A
M31132-58	205	18,474	L1	2,016	
M31134-58	205	18,216	L1	1,859	
M3115	58	375	K	23	M3545
M3116	58	379	LS	29	M3546
M3116-5	195	379	LS	28	M3546-5
M3116-50	212	435	K	27	
M3116A	58	497	K	27	M3154A
M3116T	58	381	LS	32	EM3116T
M3116T-5	195	381	LS	30	M3546T-5
M3116T-50	212	438	L1	31	M3546T-50
M3116T-8	184	391	L1	30	
M3120	58	419	K	29	M3550
M3120T	58	450	L1	34	M3550T
M3153	58	516	K	32	
M3153T	58	516	L1	33	M3543T
M3154	58	438	LS	33	M3554
M3154A	58	496	K	33	
M3154T	58	446	LS	34	EM3154T
M3154T-5	195	446	LS	37	M3554T-5

Catalog Number	Page Number	List Price	Mult Sym	Ship Wgt <sup>(1)</sup>	Alternate Cat Number <sup>(2)</sup>
M3154T-50	212	465	L1	34	M3554T-50
M3154T-8	184	460	L1	33	EM3154T-8
M3155	59	489	K	32	CM3155
M3155T	59	498	L1	38	M3555T
M3156	58	549	K	37	M3159
M3156T	58	536	L1	39	EM3156T
M3157	59	456	LS	37	M3558
M3157T	59	456	LS	37	EM3157T
M3157T-5	195	456	LS	42	M3558T-5
M3157T-50	212	478	L1	41	M3558T-50
M3157T-8	184	467	L1	37	EM3157T-8
M3157TA	59	568	K	39	
M3158	59	504	K	40	M3559
M3158T	59	528	L1	45	M3559T
M3158T-8	184	542	L1	40	
M3159	58	624	K	38	
M3160	58	727	K	33	M3560
M3161T	59	545	L1	53	
M3161TA	59	630	K	57	
M3203	58	628	L1	35	M3603
M3206	58	654	L1	38	M3606
M3207T	58	630	L1	63	EM3207T
M3208	59	803	L1	40	M3210
M3209	59	704	L1	41	M3609
M3210	59	853	L1	43	M3610
M3211	59	706	L1	47	M3611
M3211T	59	476	LS	61	CM3211T
M3211T-5	195	476	LS	62	
M3211T-50	212	547	L1	55	M3611T-50
M3211T-8	184	486	L1	54	M3611T-8
M3211T/36	59	546	L1	62	M3611T/36
M3211TA	59	665	L1	59	
M3212T	59	547	L1	56	EM3212T
M3212T-8	184	561	L1	56	
M3215T	59	617	L1	67	EM3215T
M3216T	58	913	L1	56	M3617T
M3218T	59	526	LS	70	EM3218T
M3218T-5	195	526	LS	66	M3615T-5
M3218T-50	212	605	L1	80	M3615T-50
M3218T-8	184	539	L1	69	M3615T-8
M3218TA	59	703	L1	70	
M3219T	59	750	L1	68	EM3219T
M3219T-8	184	769	L1	69	
M3220T	58	1,110	L1	64	M3618T
M3233	163	968	L1	47	
M3234	163	1,026	L1	49	
M3303T	59	1,370	L1	88	M3702T
M3304	59	860	L1	67	M3703
M3305T	59	725	L1	106	EM3305T
M3306T	59	1,579	L1	111	M3705T
M3307	59	958	L1	67	M3706
M3308	59	902	L1	69	M3707
M3309T	59	950	L1	117	
M3310	59	1,213	L1	75	M3709

(1) Shipping weight is approximate.

(2) Baldor has suggested alternate products, however there may be slight differences in performance, efficiency, voltage range, dimensions and mounting. Customers should verify suitability of selected products for their specific application.



Catalog Number	Page Number	List Price	Mult Sym	Ship Wgt <sup>(1)</sup>	Alternate Cat Number <sup>(2)</sup>
M3311T	59	746	LS	95	EM3311T
M3311T-5	195	746	LS	97	EM3311T-5
M3311T-50	212	857	L1	109	M3710T-50
M3311T-8	184	763	L1	94	EM3311T-8
M3312T	59	942	L1	106	EM3312T
M3312T-8	184	965	L1	85	
M3313T	59	913	LS	110	EM3313T
M3313T-5	195	913	LS	129	EM3313T-5
M3313T-50	212	1,048	L1	122	M3714T-50
M3313T-8	184	934	L1	104	EM3313T-8
M3314T	60	1,376	L1	125	M3713T
M3314T-8	184	1,410	L1	109	
M3324	163	1,381	L1	77	
M3325	163	1,423	L1	81	
M3326	163	1,735	L1	94	
M3353	46	331	K	16	M3355
M3355	46	375	K	17	
M3452	46	387	K	17	M3455
M3454	46	274	K	18	M3458
M3455	46	431	K	19	
M3457	46	278	K	20	M3460
M3458	46	334	K	20	M3461
M3460	46	322	K	19	
M3461	46	391	K	22	M3464
M3463	46	355	K	21	
M3464	46	423	K	25	
M3531	46	426	K	20	M3535
M3532	46	621	K	30	M3536
M3534	46	300	LS	21	M3538
M3534-5	186	300	LS	21	M3538-5
M3535	46	479	K	22	M3539
M3536	46	677	K	33	M3560
M3537	46	322	K	20	CM3537
M3537-5	186	322	K	20	M3541-5
M3538	46	343	LS	22	M3542
M3538-5	186	343	LS	22	M3542-5
M3538-50	212	393	K	25	M3542-50
M3538/35	46	441	K	27	
M3539	46	516	K	24	CM3539
M3539-5	186	516	K	24	
M3539-TP	150	551	K	28	
M3541	46	355	K	21	CM3541
M3541-5	186	355	K	21	
M3541-50	212	393	K	22	M3545-50
M3542	46	367	LS	26	M3546
M3542-5	186	367	LS	26	M3546-5
M3542-50	212	420	K	32	
M3543	46	527	K	34	CM3543
M3543-5	186	527	K	37	
M3543T	46	527	L1	34	M3556T
M3543T-5	186	527	L1	34	
M3545	47	416	K	22	EM3545
M3545-5	186	416	K	23	M3541-5
M3545-50	212	478	K	27	

Catalog Number	Page Number	List Price	Mult Sym	Ship Wgt <sup>(1)</sup>	Alternate Cat Number <sup>(2)</sup>
M3546	47	382	LS	26	EM3546
M3546-5	186	382	LS	28	
M3546/35	47	461	K	31	
M3546T	47	424	LS	33	M3581T
M3546T-5	186	424	LS	32	
M3546T-50	212	489	L1	32	
M3546T-8	183	434	L1	28	
M3550	47	454	K	30	EM3550
M3550T	47	481	L1	37	EM3550T
M3550T-5	186	481	L1	37	M3550T-5#
M3550T-50	212	555	L1	36	
M3554	47	432	LS	34	EM3554
M3554T	47	435	LS	37	EM3554T
M3554T-5	186	435	LS	39	M3558T-5
M3554T-50	212	498	L1	39	M3558T-50
M3554T-8	183	443	L1	36	M3558T-8
M3555	48	510	K	33	M3559
M3555-5	186	510	K	39	
M3555T	48	554	L1	43	EM3555T
M3555T-5	186	554	L1	43	M3559T-5
M3555T-50	212	610	L1	42	
M3556	47	536	K	35	M3557
M3556-5	186	536	K	35	
M3556T	47	579	L1	39	M3582T
M3556T-5	186	579	L1	43	M3557T-5
M3557	47	615	K	41	
M3558	48	466	LS	41	
M3558-5	186	466	LS	40	
M3558T	48	457	LS	40	EM3558T
M3558T-5	186	457	LS	45	
M3558T-50	212	525	L1	48	
M3558T-8	183	465	L1	43	
M3558T-9	82	526	L1	45	
M3559	48	593	K	44	
M3559-5	186	593	K	50	
M3559T	48	635	L1	53	
M3559T-5	186	635	L1	51	
M3560	46	760	K	38	
M3564	163	591	K	30	M3565
M3565	163	621	K	31	M3566
M3566	163	652	K	33	M3567
M3567	163	684	K	37	
M3581T	47	593	L1	51	EM3581T
M3582T	47	784	L1	54	EM3582T
M3583T	47	751	L1	51	EM3583T
M3584T	47	606	L1	53	EM3584T
M3586T	48	778	L1	58	EM3586T
M3587T	48	656	L1	59	EM3587T
M3600	46	954	L1	41	M3602
M3601	46	755	L1	41	M3604
M3602	46	954	L1	53	
M3603	47	685	L1	35	M3606
M3604	47	873	L1	41	M3607
M3605	47	777	L1	36	M3608

(1) Shipping weight is approximate.

(2) Baldor has suggested alternate products, however there may be slight differences in performance, efficiency, voltage range, dimensions and mounting. Customers should verify suitability of selected products for their specific application.

Gearmotors and Gear Products

PT Components

Motor Accessories

Grinders

Generators

Servo Motors and Controls

Mod Express

Baldor Education Workshops

Classifications and Sales Offices

EISA Reference Table & Index

Gearmotors and Gear Products

PT Components

Motor Accessories

Grinders

Gearmotors

Servo Motors and Controls

Mod Express

Baldor Education Workshop

Classifications and Sales Offices

EISA Reference Table & Index

Catalog Number	Page Number	List Price	Mult Sym	Ship Wgt <sup>(1)</sup>	Alternate Cat Number <sup>(2)</sup>
M3606	47	698	L1	39	M3609
M3607	47	933	L1	43	
M3607T	47	668	L1	67	M3667T
M3607T-5	186	668	L1	63	
M3608	48	895	L1	43	M3610
M3609	48	736	L1	46	M3611
M3610	48	737	L1	48	
M3610T	48	676	L1	57	M3660T
M3610T-50	212	777	L1	57	
M3611	48	767	L1	58	
M3611T	48	537	LS	63	EM3611T
M3611T-5	186	537	LS	68	EM3611T-5
M3611T-50	212	617	L1	68	
M3611T-8	183	550	L1	53	EM3661T-8
M3611T-9	82	617	L1	57	
M3611T/36	48	561	L1	68	
M3613T	48	777	L1	69	CM3613T
M3613T-5	187	777	L1	71	M3616T-5
M3613T-50	212	894	L1	74	
M3614T	48	719	L1	74	M3664T
M3614T-5	186	719	L1	74	
M3615T	48	618	LS	79	EM3615T
M3615T-5	187	618	LS	75	M3665T-5
M3615T-50	212	712	L1	89	
M3615T-8	183	633	L1	74	
M3615T-9	82	712	L1	86	M3615T
M3616T	49	944	L1	89	CM3616T
M3616T-5	187	944	L1	89	
M3617T	47	1,067	L1	60	
M3618T	47	1,264	L1	88	
M3660T	48	860	L1	80	EM3660T
M3661T	48	860	LS	93	EM3661T
M3661T-5	186	860	LS	90	EM3661T-5
M3663T	48	1,062	L1	90	EM3663T
M3664T	48	918	L1	97	EM3664T
M3665T	48	877	L1	105	EM3665T
M3665T-5	187	877	L1	102	EM3665T-5
M3665T-9	82	968	L1	146	
M3667T	47	858	L1	87	CP3667T-4
M3701	47	1,473	L1	84	
M3702	48	1,644	L1	96	M3702
M3702T	48	1,601	L1	100	
M3703	48	902	L1	65	
M3704	48	1,110	L1	96	
M3704T	48	905	L1	110	EM3764T
M3704T-5	186	905	L1	108	
M3705T	48	1,750	L1	139	
M3706	48	1,255	L1	74	
M3707	48	1,137	L1	80	
M3708T	48	1,097	L1	123	EM3708T
M3708T-5	187	1,097	L1	119	
M3709	49	1,266	L1	87	
M3709T	49	1,145	L1	94	M3769T
M3709T-5	187	1,145	L1	89	

Catalog Number	Page Number	List Price	Mult Sym	Ship Wgt <sup>(1)</sup>	Alternate Cat Number <sup>(2)</sup>
M3709T-50	212	1,316	L1	116	
M3710T	49	788	LS	116	M3770T
M3710T-5	187	788	LS	126	M3770T-5
M3710T-50	212	905	L1	114	
M3710T-8	183	808	L1	113	EM3710T-8
M3710T-9	82	905	L1	120	
M3711T	49	1,198	L1	126	M3713T
M3711T-5	187	1,198	L1	123	M3713T-5
M3711T-50	212	1,378	L1	126	
M3712	48	1,055	L1	72	
M3713T	49	1,520	L1	168	
M3713T-5	187	1,520	L1	167	
M3714T	49	960	LS	129	M3774T
M3714T-5	187	960	LS	138	M3774T-5
M3714T-50	212	1,101	L1	140	
M3714T-8	183	981	L1	127	EM3774T-8
M3714T-9	82	1,053	L1	141	M3714T
M3764T	48	1,203	L1	158	EM3764T
M3768T	48	1,330	L1	178	EM3768T
M3769T	49	1,209	L1	166	EM3769T
M3770T	49	1,170	L1	164	EM3770T
M3770T-5	187	1,170	L1	170	EM3770T-5
M3771T	49	1,452	L1	171	EM3771T
M3774T	49	1,259	L1	170	EM3774T
M3774T-5	187	1,259	L1	187	EM3774T-5
M4100T	49	2,881	L1	361	EM4100T
M4102T	49	3,480	L1	372	EM4102T
M4103	50	5,059	L1	375	
M4103T	50	2,515	LS	337	EM4103T
M4103T-12	50	2,585	L1	432	
M4103T-5	187	2,515	LS	340	
M4103T-50	212	3,284	L1	315	
M4103T-8	183	2,570	L1	361	EM4103T-8
M4103T-9	82	2,784	L1	475	
M4104	50	6,001	L1	522	
M4104T	50	2,972	LS	357	EM4104T
M4104T-12	50	2,982	L1	422	
M4104T-5	187	2,972	LS	366	
M4104T-50	212	3,882	L1	416	
M4104T-8	183	3,036	L1	386	EM4104T-8
M4104T-9	82	3,289	L1	479	
M4106	49	3,314	L1	370	
M4106T	49	2,081	L1	248	EM4106T
M4106T-5	187	2,081	L1	236	EM4106T-5
M4107	50	5,167	L1	495	
M4107T	50	2,647	L1	361	EM4107T
M4107T-5	187	2,647	L1	361	EM4107T-5
M4108T	50	2,871	L1	382	EM4108T
M4108T-5	187	2,871	L1	382	EM4108T-5
M4109T	50	4,104	L1	486	EM4109T
M4109T-5	187	4,104	L1	486	EM4109T-5
M4110T	50	3,941	LS	498	EM4110T
M4110T-12	50	4,053	L1	455	
M4110T-5	187	3,941	LS	475	

<sup>(1)</sup> Shipping weight is approximate.

<sup>(2)</sup> Baldor has suggested alternate products, however there may be slight differences in performance, efficiency, voltage range, dimensions and mounting. Customers should verify suitability of selected products for their specific application.

Catalog Number	Page Number	List Price	Mult Sym	Ship Wgt <sup>(1)</sup>	Alternate Cat Number <sup>(2)</sup>
M4110T-50	212	5,078	L1	586	
M4110T-8	183	4,028	L1	522	EM4110T-8
M4110T-9	82	4,363	L1	610	
M4111T	50	4,199	L1	451	EM4111T
M4112T	49	5,639	L1	569	
M4114T	50	4,172	L1	470	EM4114T
M4114T-5	187	4,172	L1	585	EM4114T-5
M4115T	50	4,081	LS	539	EM4115T
M4115T-12	50	4,195	L1	579	
M4115T-5	187	4,081	LS	578	
M4115T-50	212	5,513	L1	637	
M4115T-8	183	4,170	L1	554	
M4115T-9	82	4,516	L1	629	
M4115TS	50	4,142	LS	579	
M4116T	50	6,965	L1	532	
M4117T	50	5,094	L1	579	EM4117T
M4118T	50	2,358	L1	277	
M4307	50	6,312	L1	662	
M4308T	50	5,644	L1	807	EM4308T
M4310T	50	6,364	L1	680	EM4310T
M4311	50	7,334	L1	728	
M4312T	50	7,162	L1	769	EM4312T
M4313T	51	7,729	L1	775	EM4313T
M4314T	50	6,250	LS	727	EM4314T
M4314T-12	50	6,428	L1	773	
M4314T-5	187	6,250	LS	770	
M4314T-50	212	7,168	L1	809	
M4314TS	50	6,250	LS	734	
M4316T	51	7,704	LS	874	EM4316T
M4316T-12	51	7,922	L1	807	
M4316T-5	187	7,704	LS	809	
M4316TS	51	7,704	LS	808	
M4338T	50	7,745	L1	699	
M4348T	50	9,607	L1	756	
M4400T	51	9,567	LS	1,012	CM4400T
M4400T-12	51	9,567	LS	1,008	
M4400T-5	187	9,567	LS	1,016	
M4400TS	51	9,567	LS	987	M4400T
M4402T-4	51	9,871	L1	974	
M4403T	50	9,041	L1	1,051	EM4403T
M4404T	51	10,197	L1	1,125	EM4404T
M4406T-4	51	15,120	LS	1,740	
M4406T-5	187	15,120	LS	1,421	
M4406TS-4	51	15,120	LS	1,568	
M4407T-4	51	18,583	LS	1,945	
M4407TR-4	51	18,643	L1	1,800	
M4407TS-4	51	18,583	LS	1,662	
M4408T-4	51	23,246	L1	1,877	
M4408TR-4	51	23,246	L1	2,345	
M4408TS-4	51	23,246	L1	2,120	
M4409T	51	12,745	L1	1,636	
M4410T-4	51	12,907	LS	1,607	
M4410T-5	187	12,907	LS	1,618	
M4410TS-4	51	12,907	LS	1,536	

Catalog Number	Page Number	List Price	Mult Sym	Ship Wgt <sup>(1)</sup>	Alternate Cat Number <sup>(2)</sup>
M4411T-4	51	16,359	L1	1,664	
M4412T-4	51	13,433	L1	1,489	
M4413T-4	51	15,951	L1	1,501	
M44156T-4	51	19,322	L1	1,672	
M4416T-4	51	19,041	L1	1,716	
M44206T-4	51	23,010	L1	2,426	
M44252T-4	51	28,111	L1	2,314	
M44256T-4	51	32,326	L1	2,710	
M44302T-4	51	42,942	L1	2,606	
M44304T-4	51	34,603	L1	2,648	
M44304TS-4	51	34,603	L1	2,629	
M44306T-4	51	41,263	L1	2,831	
M44352T-4	51	49,606	L1	2,908	
M44354T-4	51	38,446	L1	3,044	
M44354TS-4	51	38,446	L1	3,025	
M44402T-4	51	60,306	L1	2,900	
M44404T-4	51	50,281	L1	3,004	
M4458T	50	11,797	L1	1,004	
M4468T	50	13,624	L1	1,076	
M6002A	101	507	K	26	
M6007A	101	634	K	29	
M7002A	101	609	K	28	
M7003A	101	874	K	34	
M7005A	101	698	K	27	
M7006-5	108,197	634	K	37	
M7006A	101	634	K	30	
M7007A	101	923	K	39	
M7009A	101	727	K	29	
M7010-5	108,197	730	K	35	
M7010A	101	730	K	34	
M7013	102	766	K	31	
M7013-5	108,197	766	K	31	
M7013T-I	111	880	SD	41	
M7014	102	799	K	38	
M7014-5	108,197	799	K	38	
M7014T	102	833	LS	44	
M7014T-5	108,197	833	LS	43	
M7014T-I	111	841	SD	52	
M7015	102	1,152	L1	44	
M7018T	102	786	L1	45	
M7018T-5	108,197	786	L1	49	
M7018T-I	111	900	SD	55	
M7019	102	1,460	L1	49	
M7020T	102	1,322	L1	80	
M7020T-I	111	1,322	SD	99	
M7023	102	1,495	L1	54	
M7026	102	1,278	L1	64	
M7026T	102	1,006	L1	66	
M7026T-I	111	1,121	SD	91	
M7027	102	1,708	L1	110	
M7030	103	2,211	L1	128	
M7031A	101	980	K	44	
M7031TA	101	980	L1	47	
M7032	102	980	K	44	

(1) Shipping weight is approximate.

(2) Baldor has suggested alternate products, however there may be slight differences in performance, efficiency, voltage range, dimensions and mounting. Customers should verify suitability of selected products for their specific application.

Gearmotors and Gear Products  
 PT Components  
 Motor Accessories  
 Grinders  
 Gearmotors  
 Servo Motors and Controls  
 Mod Express  
 Baldor Education Workshop  
 Classifications and Sales Offices  
 EISA Reference Table & Index

Catalog Number	Page Number	List Price	Mult Sym	Ship Wgt <sup>(1)</sup>	Alternate Cat Number <sup>(2)</sup>
M7032T	102	960	L1	52	
M7032T-I	111	960	SD	50	
M7034	102	870	K	43	
M7034T	102	835	LS	48	
M7034T-5	108,197	835	LS	50	
M7034T-I	111	843	SD	57	
M7036T	102	1,484	L1	144	
M7036T-I	111	1,484	SD	155	
M7037	102	973	K	51	
M7037T	102	942	LS	51	
M7037T-5	108,197	942	LS	53	
M7037T-I	111	951	SD	60	
M7040T	103	1,945	L1	161	
M7040T-I	111	1,945	SD	165	
M7041T	102	1,361	L1	92	
M7041T-I	111	1,361	SD	114	
M7042T	102	1,030	LS	81	
M7042T-5	108,197	1,030	LS	78	
M7042T-I	111	1,033	SD	105	
M7042T-I-5	111,199	1,033	SD	99	
M7044T	103	1,277	LS	99	
M7044T-5	108,197	1,277	LS	97	
M7044T-I	111	1,281	SD	118	
M7044T-I-5	111,199	1,281	SD	114	
M7045T	103	1,632	L1	166	
M7045T-I	111	1,632	SD	159	
M7047T	103	1,574	LS	168	
M7047T-5	108,197	1,574	LS	170	
M7047T-I	111	1,579	SD	177	
M7047T-I-5	111,199	1,579	SD	165	
M7048T	103	2,303	L1	381	
M7048T-I	111	2,303	SD	381	
M7053T	103	2,171	L1	292	
M7053T-I	112	2,171	SD	344	
M7054T	103	2,461	LS	376	
M7054T-5	108,197	2,461	LS	351	
M7054T-I	112	2,469	SD	387	
M7054T-I-5	112,199	2,469	SD	381	
M7056T	103	3,191	LS	381	
M7056T-5	108,197	3,191	LS	361	
M7056T-I	112	3,201	SD	387	
M7056T-I-5	112,199	3,201	SD	381	
M7057T	103	4,464	L1	436	
M7057T-I	112	4,464	SD	430	
M7058T	104	3,948	LS	528	
M7058T-5	108,197	3,948	LS	528	
M7058T-I	112	3,960	SD	549	
M7058T-I-5	112,199	3,960	SD	415	
M7059T	103	2,784	L1	371	
M7059T-I	112	2,784	SD	344	
M7060T	104	4,719	LS	491	
M7060T-5	108,197	4,735	L1	552	
M7060T-I	112	4,735	SD	584	
M7060T-I-5	112,199	4,735	SD	583	

Catalog Number	Page Number	List Price	Mult Sym	Ship Wgt <sup>(1)</sup>	Alternate Cat Number <sup>(2)</sup>
M7062T	104	6,447	LS	750	
M7062T-5	108,197	6,447	LS	761	
M7062T-I	112	6,468	SD	765	
M7062T-I-5	112,199	6,468	SD	764	
M7063T	104	3,705	L1	517	
M7063T-I	112	3,705	SD	445	
M7064T	104	7,501	LS	769	
M7064T-I	112	7,526	SD	798	
M7064T-I-5	112,199	7,526	SD	795	
M7065T	103	2,769	L1	357	
M7065T-I	112	2,769	SD	369	
M7066T	104	8,390	LS	969	
M7066T-I	113	8,537	SD	981	
M7066T-I-5	113,199	8,537	SD	979	
M7067T	104	5,809	L1	718	
M7067T-I	112	5,809	SD	649	
M7068T	104	10,465	LS	1,031	
M7068T-I	113	10,500	SD	1,044	
M7068T-I-5	113,199	10,500	SD	1,031	
M7070T	103	1,652	LS	164	
M7071T	102	804	L1	52	
M7071T-5	108,197	804	L1	53	
M7071T-I	111	1,000	SD	62	
M7072T	103	1,183	L1	93	
M7072T-5	108,197	1,183	L1	94	
M7072T-I	111	1,412	SD	108	
M7073T	103	1,528	L1	94	
M7074T	103	1,841	L1	162	
M7075T	102	952	L1	69	
M7079T	103	4,583	L1	522	
M7079T-I	112	4,583	SD	436	
M7080T	104	6,322	L1	737	
M7080T-I	112	6,322	SD	751	
M7081T	104	7,439	L1	704	
M7081T-I	112	7,439	SD	705	
M7082T	104	5,731	L1	721	
M7082T-I	112	5,731	SD	685	
M7083T	104	4,355	L1	534	
M7083T-I	112	4,355	SD	445	
M7084T	104	7,328	L1	915	
M7084T-I	112	7,328	SD	889	
M7085T	104	8,270	L1	918	
M7085T-I	112	8,270	SD	765	
M7086T	104	9,868	L1	1,233	
M7086T-I	113	9,868	SD	1,325	
M7087T	104	11,224	L1	1,338	
M7087T-I	113	11,224	SD	1,338	
M7090T	104	12,398	LS	1,363	
M7090T-I	113	12,693	SD	1,367	
M7090T-I-5	113,199	12,693	SD	1,372	
M7114T	102	1,181	LS	78	
M7126T	102	1,353	L1	127	
M7134T	102	1,197	LS	81	
M7137T	102	1,260	LS	82	

<sup>(1)</sup> Shipping weight is approximate.

<sup>(2)</sup> Baldor has suggested alternate products, however there may be slight differences in performance, efficiency, voltage range, dimensions and mounting. Customers should verify suitability of selected products for their specific application.

Catalog Number	Page Number	List Price	Mult Sym	Ship Wgt <sup>(1)</sup>	Alternate Cat Number <sup>(2)</sup>
M7142T	102	1,258	LS	132	
M7144T	103	1,490	LS	139	
M7145T	103	1,830	L1	154	
M7147T	103	1,800	LS	175	
M7170T	103	2,124	LS	186	
M7170T-5	108,197	2,131	L1	217	
M7170T-I	112	2,131	SD	225	
M7170T-I-5	112,199	2,131	SD	230	
M7172T	103	1,586	L1	145	
M7174T	103	1,920	L1	208	
M7174T-I	112	1,920	SD	228	
M7310T-I	113	8,593	SD	945	
M7313T-I	113	9,958	SD	985	
M74124T-4	104	16,567	LS	1,327	
M74154T-4	104	18,347	LS	1,450	
M74204T-4	104	27,037	LS	1,975	
M74254T-4	104	31,526	L1	2,016	
M74304T-4	104	46,928	L1	2,959	
M8001	84	516	SD	26	M8002
M8002	84	656	SD	29	M8003
M8003	84	717	SD	35	
M8003T	84	809	SD	57	WDM3546T
M8004T	84	790	SD	60	WDM3554T
M8005T	84	837	SD	64	WDM3558T
M8006T	84	1,084	SD	104	WDM3558T
M8007T	84	1,219	SD	113	WDM3615T
M8008T	84	1,485	SD	191	
M8009T	84	1,763	SD	170	WDM3714T
M8010T	84	2,521	SD	260	CP2333T
MA7-008-CA	340	1,329	E7	7	MA7-016-CA
MA7-016-CA	340	1,398	E7	6	MA7-030-CA
MA7-030-CA	340	1,640	E7	10	
MA8-008-CA	340	1,386	E7	7	MA8-016-CA
MA8-016-CA	340	1,468	E7	7	MA8-030-CA
MA8-030-CA	340	1,697	E7	10	
MB3371	405	32	A8	1	
MB3480	405	40	A8	1	
MB3590	405	41	A8	2	
MB36112	405	67	A8	3	
MB37132	405	93	A8	6	
MB7-055-CP	340	3,107	E7	61	MB7-080-CP
MB7-055-GC	340	6,108	E7	214	MB7-080-GC
MB7-080-AB	340	8,111	E7	155	MB7-160-AB
MB7-080-CP	340	4,453	E7	87	MB7-160-CP
MB7-080-GC	340	6,698	E7	122	MB7-160-GC
MB7-160-AB	340	10,696	E7	177	MB7-250-AB
MB7-160-BB	340	9,046	E7	174	MB7-250-BB
MB7-160-CB	340	7,039	E7	247	MB7-250-CB
MB7-160-CP	340	5,795	E7	164	MB7-250-CP
MB7-160-GC	340	14,273	E7	315	MB7-250-GC
MB7-250-AB	340	13,351	E7	292	MB7-420-AB
MB7-250-AB-1	340	12,772	E7	186	MB7-420-AB
MB7-250-BB	340	10,066	E7	254	MB7-420-BB
MB7-250-CB	340	9,226	E7	174	MB7-420-CB

Catalog Number	Page Number	List Price	Mult Sym	Ship Wgt <sup>(1)</sup>	Alternate Cat Number <sup>(2)</sup>
MB7-250-CP	340	7,939	E7	113	MB7-420-CP
MB7-250-GC	340	16,420	E7	341	MB7-420-GC
MB7-420-AB	340	15,331	E7	276	
MB7-420-BB	340	12,098	E7	256	
MB7-420-CB	340	11,111	E7	253	
MB7-420-CP	340	9,972	E7	156	
MB7-420-GC	340	21,053	E7	498	
MD7-009-CB	337	1,873	E7	17	MD7-016-CB
MD7-016-CB	337	1,945	E7	17	MD7-023-CB
MD7-023-CB	337	2,141	E7	17	MD7-030-CB
MD7-030-CB	337	2,325	E7	17	MD7-044-CB
MD7-044-CB	337	2,650	E7	17	MD7-059-CB
MD7-059-CB	337	2,969	E7	19	MD7-072-CB
MD7-072-CB	337	3,358	E7	19	MD7-085-CB
MD7-085-CB	337	3,549	E7	19	MD7-105-CB
MD7-105-CB	337	4,279	E7	19	MD7-146-CB
MD7-146-CB	337	5,054	E7	19	MD7-174-CB
MD7-174-CB	337	6,700	E7	35	MD7-202-CB
MD7-202-CB	337	7,436	E7	44	MD7-242-CB
MD7-242-CB	337	7,992	E7	49	MD7-300-CB
MD7-300-CB	337	8,908	E7	49	MD7-370-CB
MD7-370-CB	337	9,646	E7	49	MD7-500-CB
MD7-500-CB	337	13,189	E7	177	MD7-600-CB
MD7-600-CB	337	14,320	E7	144	MD7-750-CB
MD7-750-CB	337	17,095	E7	159	MD7-900-CB
MD7-900-CB	337	18,507	E7	159	
MD8-009-CB	337	2,154	E7	17	MD8-016-CB
MD8-016-CB	337	2,238	E7	17	MD8-023-CB
MD8-023-CB	337	2,462	E7	17	MD8-030-CB
MD8-030-CB	337	2,674	E7	17	MD8-044-CB
MD8-044-CB	337	3,047	E7	17	MD8-059-CB
MD8-059-CB	337	3,414	E7	19	MD8-072-CB
MD8-072-CB	337	3,860	E7	19	MD8-085-CB
MD8-085-CB	337	4,081	E7	19	MD8-105-CB
MD8-105-CB	337	4,919	E7	19	MD8-146-CB
MD8-146-CB	337	5,813	E7	19	MD8-174-CB
MD8-174-CB	337	7,704	E7	35	MD8-202-CB
MD8-202-CB	337	8,550	E7	35	MD8-242-CB
MD8-242-CB	337	9,189	E7	49	MD8-300-CB
MD8-300-CB	337	10,100	E7	49	MD8-370-CB
MD8-370-CB	337	11,094	E7	49	MD8-500-CB
MD8-500-CB	337	15,165	E7	144	MD8-600-CB
MD8-600-CB	337	16,470	E7	152	MD8-750-CB
MD8-750-CB	337	19,663	E7	159	MD8-900-CB
MD8-900-CB	337	21,284	E7	159	
MM2333-50	210	1,764	L1	235	
MM2334-50	210	2,136	L1	285	
MM3454	206	274	K	20	
MM3457	206	255	K	20	
MM3458	206	302	K	20	
MM3460	206	288	K	20	
MM3461	206	357	K	19	
MM3463	206	319	K	24	
MM3542	206	382	K	26	

(1) Shipping weight is approximate.

(2) Baldor has suggested alternate products, however there may be slight differences in performance, efficiency, voltage range, dimensions and mounting. Customers should verify suitability of selected products for their specific application.

Gearmotors and Gear Products

PT Components

Motor Accessories

Grinders

Gearmotors

Servo Motors and Controls

Mod Express

Baldor Education Workshop

Classifications and Sales Offices

EISA Reference Table & Index

Catalog Number	Page Number	List Price	Mult Sym	Ship Wgt <sup>(1)</sup>	Alternate Cat Number <sup>(2)</sup>
MM3545	206	377	K	25	
MM3546	206	397	K	33	
MM3546-50	210	438	K	36	
MM3550	206	419	K	30	
MM3558-50	210	524	K	47	
MM3611-50	210	628	L1	66	
MM3615-50	210	712	L1	89	
MM3710-50	210	904	L1	115	
MM3714-50	210	1,101	L1	146	
MM5100	200	212	K	9	
MM5100-5	201	212	K	9	
MM5150	200	221	K	12	
MM5150-5	201	221	K	12	
MM5200	200	246	K	10	
MM5200-5	201	246	K	10	
MM5250	200	259	K	11	
MM5250-5	201	259	K	11	
MM5300	200	264	K	13	
MM5300-5	201	264	K	13	
MM5350	200	270	K	16	
MM5350-5	201	270	K	16	
MM5400	200	275	K	17	
MM5400-5	201	275	K	17	
MM5450	200	293	K	22	
MM5450-5	201	293	K	22	
MM5500	200	312	K	20	
MM5500-5	201	312	K	20	
MM5550	200	318	K	23	
MM5550-5	201	318	K	20	
MM5600	200	348	K	23	
MM5600-5	201	348	K	23	
MM5650	200	356	K	26	
MM5650-5	201	356	K	33	
MM5700	200	370	K	34	
MM5700-5	201	370	K	34	
MM5750	200	383	K	37	
MM5750-5	201	383	K	37	
MOV505L	338	114	E7	1	
MOV620EL	338	107	E7	1	
MPM3458	162	344	K	20	
MVM2333D-50	210	1,645	L1	236	
MVM2334D-50	210	2,026	L1	319	
MVM3457D	207	393	K	20	
MVM3458C	208	416	K	22	
MVM3458D	207	474	K	20	
MVM3460C	208	443	K	22	
MVM3460D	207	453	K	20	
MVM3461C	208	468	K	22	
MVM3461D	207	477	K	20	
MVM3463C	208	461	K	26	
MVM3463D	207	472	K	25	
MVM3542C	208	491	K	25	
MVM3542D	207	503	K	28	
MVM3542D-50	210	554	K	30	

Catalog Number	Page Number	List Price	Mult Sym	Ship Wgt <sup>(1)</sup>	Alternate Cat Number <sup>(2)</sup>
MVM3545C	208	545	K	24	
MVM3545D	207	554	K	25	
MVM3546C	208	562	K	32	
MVM3546D	207	575	K	34	
MVM3550C	208	568	L1	33	
MVM3550D	207	583	L1	37	
MVM3554C	208	583	L1	40	
MVM3554D	207	593	L1	41	
MVM3555C	208	624	L1	45	
MVM3555D	207	635	L1	45	
MVM3558C	208	598	L1	48	
MVM3558C-50	210	660	L1	54	
MVM3558D	207	615	L1	46	
MVM3558D-50	210	677	L1	53	
MVM3559C	208	684	L1	53	
MVM3559D	207	700	L1	52	
MVM3611C	208	741	L1	61	
MVM3611C-50	210	815	L1	71	
MVM3611D	207	755	L1	68	
MVM3611D-50	210	832	L1	75	
MVM3613C	208	851	L1	69	
MVM3613D	207	865	L1	76	
MVM3615C	208	799	L1	76	
MVM3615C-50	210	880	L1	93	
MVM3615D	207	815	L1	81	
MVM3615D-50	210	898	L1	95	
MVM3709D	207	1,153	L1	121	
MVM3710C-50	210	1,115	L1	134	
MVM3710D	207	1,028	L1	132	
MVM3710D-50	210	1,132	L1	129	
MVM3711D	207	1,367	L1	145	
MVM3714C-50	210	1,363	L1	166	
MVM3714D	207	1,254	L1	152	
MVM3714D-50	210	1,378	L1	169	
MVM5100C	200	238	K	9	
MVM5100C-5	202	238	K	9	
MVM5100D	200	244	K	10	
MVM5100D-5	201	244	K	10	
MVM5150C	200	246	K	12	
MVM5150C-5	202	246	K	12	
MVM5150D	200	254	K	13	
MVM5150D-5	201	254	K	13	
MVM5200C	200	276	K	10	
MVM5200C-5	202	276	K	10	
MVM5200D	200	281	K	11	
MVM5200D-5	201	281	K	11	
MVM5250C	200	284	K	11	
MVM5250C-5	202	284	K	11	
MVM5250D	200	289	K	12	
MVM5250D-5	201	289	K	12	
MVM5300C	200	285	K	13	
MVM5300C-5	202	285	K	13	
MVM5300D	200	288	K	14	
MVM5300D-5	201	288	K	14	

<sup>(1)</sup> Shipping weight is approximate.

<sup>(2)</sup> Baldor has suggested alternate products, however there may be slight differences in performance, efficiency, voltage range, dimensions and mounting. Customers should verify suitability of selected products for their specific application.



Catalog Number	Page Number	List Price	Mult Sym	Ship Wgt <sup>(1)</sup>	Alternate Cat Number <sup>(2)</sup>
MVM5350C	200	296	K	16	
MVM5350C-5	202	296	K	16	
MVM5350D	200	300	K	17	
MVM5350D-5	201	300	K	17	
MVM5400C	200	300	K	17	
MVM5400C-5	202	300	K	17	
MVM5400D	200	306	K	18	
MVM5400D-5	201	306	K	18	
MVM5450C	200	319	K	22	
MVM5450C-5	202	319	K	22	
MVM5450D	200	326	K	23	
MVM5450D-5	201	326	K	23	
MVM5500C	200	328	K	20	
MVM5500C-5	202	328	K	20	
MVM5500D	200	334	K	21	
MVM5500D-5	201	334	K	21	
MVM5550C	200	346	K	23	
MVM5550C-5	202	346	K	23	
MVM5550D	200	351	K	24	
MVM5550D-5	201	351	K	24	
MVM5600C	200	375	K	23	
MVM5600C-5	202	452	K	23	
MVM5600D	200	383	K	24	
MVM5600D-5	201	383	K	24	
MVM5650C	200	380	K	33	
MVM5650C-5	202	380	K	26	
MVM5650D	200	389	K	17	
MVM5650D-5	201	389	K	27	
MVM5700C	200	413	K	34	
MVM5700C-5	202	413	K	34	
MVM5700D	200	424	K	35	
MVM5700D-5	201	424	K	35	
MVM5750C	200	424	K	37	
MVM5750C-5	202	424	K	37	
MVM5750D	200	435	K	45	
MVM5750D-5	201	435	K	38	
NM3454	46	287	K	21	
NM3454/35	46	462	K	30	
NM3455	46	396	K	19	
NM3534	46	321	K	23	
NM3538	46	373	K	26	
NM3538/35	46	450	K	30	
NM3539	46	567	K	39	
NM3542	46	401	K	31	
NM3546	47	438	K	39	
NM3546T	47	461	L1	33	
NM3554T	47	481	L1	41	
OF2276T	167	2,757	L1	249	
OF2332T	167	3,070	L1	280	
OF3303T	167	1,246	L1	117	
OF3305T	167	1,654	L1	152	
OF3307T	167	2,062	L1	209	OF3407T
OF33100T	167	13,774	L1	1,372	
OF3310T	167	2,499	L1	234	OF3410T

Catalog Number	Page Number	List Price	Mult Sym	Ship Wgt <sup>(1)</sup>	Alternate Cat Number <sup>(2)</sup>
OF33125T	167	17,461	L1	2,100	
OF3315T	167	3,505	L1	288	OF3415T
OF3320T	167	4,199	L1	318	OF3420T
OF3325T	167	5,395	L1	436	
OF3330T	167	6,564	L1	437	
OF3340T	167	8,362	L1	553	
OF3350T	167	9,777	L1	981	
OF3360T	167	10,985	L1	1,057	OF3375T
OF3375T	167	12,965	L1	1,153	
OF3407T	167	2,261	L1	229	
OF3410T	167	2,642	L1	272	
OF3415T	167	3,703	L1	334	
OF3420T	167	4,393	L1	376	
OF3425T	167	5,740	L1	487	
OF3430T	167	6,942	L1	517	
OF3440T	167	8,863	L1	749	
OF3764T	167	2,040	L1	225	
OF3768T	167	2,261	L1	196	
OF4100T	167	4,896	L1	390	
OF4102T	167	5,916	L1	454	
OF4111T	167	7,139	L1	561	
OF4117T	167	8,656	L1	630	
OF4308T	167	9,591	L1	845	
OF4312T	167	12,423	L1	1,090	
OF4403T	167	15,366	L1	1,171	
OF4404T	167	16,665	L1	1,648	
OF4409T	167	21,662	L1	2,100	
OF4411T	167	27,807	L1	2,516	
OF44156T	167	32,846	L1	2,889	
OHV30	469	1,535	PG	121	
OHV40	469	2,181	PG	193	
OHV50H	469	2,380	PG	193	
OHV60	469	2,807	PG	218	
OHV60E	469	3,270	PG	230	
OHV90E	469	4,020	PG	285	
P18G2701	131	4,457	S1	235	
P18G2702	131	4,457	S1	238	
P18G2703	131	6,133	S1	249	
P18G2704	131	6,133	S1	245	
P18G2707	131	4,777	S1	237	
P18G2709	131	6,475	S1	248	
P18G2739	131	4,457	S1	225	
P18G2784	131	4,457	S1	217	
P18G2787	131	4,565	S1	226	
P18G2791	131	4,651	S1	226	
P18G2792	131	4,651	S1	228	
P18G2794	131	4,701	S1	224	
P21G2701	131	6,610	S1	381	
P21G2702	131	6,610	S1	356	
P21G2703	131	8,468	S1	372	
P21G2704	131	8,468	S1	394	
P21G2705	131	7,154	S1	350	
P21G2707	131	8,748	S1	391	
P21G2737	131	9,333	S1	371	

(1) Shipping weight is approximate.

(2) Baldor has suggested alternate products, however there may be slight differences in performance, efficiency, voltage range, dimensions and mounting. Customers should verify suitability of selected products for their specific application.

Gearmotors and Gear Products

PT Components

Motor Accessories

Grinders

Generators

Servo Motors and Controls

Mod Express

Baldor Education Workshops

Classifications and Sales Offices

EISA Reference Table & Index

Gearmotors and Gear Products

PT Components

Motor Accessories

Grinders

Gearmotors

Servo Motors and Controls

Mod Express

Baldor Education Workshop

Classifications and Sales Offices

EISA Reference Table & Index

Catalog Number	Page Number	List Price	Mult Sym	Ship Wgt <sup>(1)</sup>	Alternate Cat Number <sup>(2)</sup>
P21G2747	131	7,997	S1	335	
P21G2750	131	4,683	S1	350	
P21G2752	131	7,079	S1	373	
P21G2754	131	4,683	S1	369	
P21G2755	131	5,620	S1	362	
P21G2756	131	5,620	S1	371	
P21G2757	131	7,079	S1	381	
P21G2758	131	9,834	S1	407	
P25G2702	131	11,924	S1	495	
P25G2704	131	12,880	S1	520	
P25G2706	131	17,438	S1	512	
P25G2707	131	11,556	S1	472	
P25G2710	131	12,743	S1	483	
P25G2712	131	16,534	S1	496	
P25G2747	131	11,924	S1	506	
P32G2700	131	19,841	S1	1,150	
P32G2701	131	20,407	S1	875	
P32G2702	131	20,407	S1	925	
P32G2703	131	33,838	S1	956	
P32G2706	131	26,100	S1	950	
P32G2724	131	20,407	S1	1,100	
P36G2700	131	34,600	S1	1,500	
P36G2701	131	35,979	S1	1,500	
P36G2702	131	44,471	S1	1,500	
PC30H	471	1,345	PG	108	
PC40H	471	1,743	PG	171	
PC50H	471	1,965	PG	185	
PC60H	471	2,179	PG	211	
PC60HE	471	2,729	PG	217	
PC90HE	471	3,269	PG	270	
PCL1313M	161	527	K	38	PCL3513M
PCL1317M	161	676	K	43	PCL1326M
PCL1319M	161	676	K	43	PCL1322M
PCL1322M	161	701	K	48	
PCL1326M	161	741	K	49	PCL3519M
PCL1327M	161	759	K	57	
PCL3513M	161	598	K	38	PCL3515M
PCL3514M	161	780	K	50	
PCL3515M	161	709	K	43	PCL3519M
PCL3519M	161	777	K	52	
PFTG100XP	323	1,264	N5	6	
PFTG42100X	323	2,486	N5	33	
PFTG4250XC	323	2,541	N5	32	
PFTG46100X	323	4,370	N5	43	
PFTG4650XC	323	4,370	N5	44	
PFTG50XP	323	1,264	N5	6	
PGD2	473	232	G8	20	
PGD4	473	303	G8	26	
PL1313M	161	486	K	34	PL3513M
PL1317M	161	634	K	41	PL3515M
PL1319M	161	645	K	39	PL1322M
PL1322M	161	676	K	47	
PL1326M	161	700	K	50	PL3519M
PL1327M	161	721	K	56	

Catalog Number	Page Number	List Price	Mult Sym	Ship Wgt <sup>(1)</sup>	Alternate Cat Number <sup>(2)</sup>
PL3513M	161	559	K	38	PL3515M
PL3514M	161	742	K	50	
PL3515M	161	676	K	42	PL3519M
PL3519M	161	741	K	50	
PSC3413A	149	352	K	20	
PSC3416A	149	391	K	21	
PSC3524A	149	429	K	24	
PTG100XP	323	1,264	N5	3	
PTG100XPS	323	1,313	N5	10	
PTG1024LD	323	1,649	N5	1	
PTG4590AC	323	1,215	N5	9	
PTG50NC	323	1,814	N5	8	
PTG50XP	323	1,264	N5	3	
PTG50XPS	323	1,313	N5	8	
PTG60XP-M	323	1,264	N5	6	
PTG60XPS-M	323	1,313	N5	5	
PTGWD100XPS	323	1,398	N5	9	
PTGWD50XPS	323	1,398	N5	10	
R1	468	24	A8	1	
R2	468	26	A8	1	
R5A	468	82	A8	1	
R6	468	43	A8	1	
RBK13B5	394	60	A8	5	
RBK15B5	394	76	A8	5	
RBK18B5	394	94	A8	5	
RBK21B5	394	121	A8	5	
RBK24B5	394	127	A8	5	
RBK24B9	394	241	A8	10	
RBK26B5	394	134	A8	8	
RBK26B9	394	293	A8	11	
RBK30B5	394	152	A8	15	
RBK30B9	394	325	A8	15	
RBK32B5	394	204	A8	8	
RBK32B9	394	402	A8	15	
RBT322-G30	400	2,322	A8	34	
RGA1204	289	849	EC	13	RGA2404
RGA1206	289	849	EC	14	RGA2406
RGA1210	289	849	EC	13	RGA2410
RGA12120	289	849	EC	14	RGA24120
RGA1220	289	849	EC	13	RGA2420
RGA1224	289	849	EC	13	RGA2424
RGA1230	289	849	EC	12	RGA2430
RGA1260	289	849	EC	13	RGA2460
RGA14202	289,300	11,731	EC	100	
RGA14204	289	11,731	EC	184	
RGA2404	289	1,299	EC	24	RGA4804
RGA2406	289	1,299	EC	24	RGA4806
RGA2410	289	1,299	EC	23	RGA4810
RGA24120	289	1,299	EC	19	
RGA2420	289	1,299	EC	24	RGA4820
RGA2424	289	1,299	EC	25	RGA4824
RGA2430	289	1,299	EC	19	
RGA2460	289	1,299	EC	20	RGA4860
RGA4802	289,300	2,107	EC	29	RGA6402

<sup>(1)</sup> Shipping weight is approximate.

<sup>(2)</sup> Baldor has suggested alternate products, however there may be slight differences in performance, efficiency, voltage range, dimensions and mounting. Customers should verify suitability of selected products for their specific application.

Catalog Number	Page Number	List Price	Mult Sym	Ship Wgt <sup>(1)</sup>	Alternate Cat Number <sup>(2)</sup>
RGA4804	289	2,107	EC	30	
RGA4806	289	2,107	EC	27	
RGA4810	289	2,107	EC	30	
RGA4814	289	2,107	EC	31	
RGA4820	289	2,107	EC	30	
RGA4824	289	2,107	EC	30	
RGA4830	289	2,107	EC	26	
RGA4860	289	2,107	EC	26	
RGA6120	289	572	EC	11	RGA12120
RGA620	289	572	EC	12	RGA1220
RGA630	289	572	EC	10	RGA1230
RGA6402	289,300	5,312	EC	55	RGA9602
RGA6404	289	5,312	EC	79	RGA9604
RGA6414	289	5,312	EC	46	
RGA660	289	572	EC	11	RGA1260
RGA9602	289,300	8,525	EC	74	RGA14202
RGA9604	289	8,525	EC	101	RGA14204
RHM244A	133	232	C1	18	
RHM265A	133	261	C1	18	RM3007
RHM3003	144	267	K	19	RHM144A
RHM3007	144	271	K	17	RHM244A
RHM3010	144	339	K	22	RHM344A
RHM3104	144	306	K	21	
RHM3108	144	351	K	24	RHM345A
RHM3108A	144	406	K	24	RHM3112A
RHM3111A	144	409	K	23	
RHM3112	144	387	K	31	RHM445A
RHM3112A	144	437	K	26	
RHM3115	144	375	K	24	
RHM3115A	144	433	K	24	
RHM3116	144	407	K	32	RHM545A
RHM3116A	144	461	K	33	
RHM3120A	144	489	K	32	
RHM3154	144	469	K	37	RHM645A
RHM3154A	144	474	K	38	
RHM3155A	144	567	K	33	
RHM3157	144	510	K	38	RHM745A
RHM3157A	144	546	K	38	RHM745A
RHM3158	144	628	K	42	
RHM3161TA	144	602	L1	60	
RHM3162TA	144	844	K	53	
RHM345A	133	278	C1	20	RM3010
RHM445A	133	292	C1	22	RM3112
RHM545A	133	341	C1	28	RM3116
RHM645A	133	399	C1	34	
RL1301A277	138	393	K	23	
RL1304A	138	382	K	26	RL1323A
RL1304A277	138	409	K	26	
RL1306A	138	351	K	26	RL425A
RL1307A	138	469	K	35	RL445A
RL1307A277	138	563	K	34	
RL1309A	138	404	K	34	RL1317A
RL1310A	138	509	K	33	RL1319A
RL1310A277	138	579	K	42	

Catalog Number	Page Number	List Price	Mult Sym	Ship Wgt <sup>(1)</sup>	Alternate Cat Number <sup>(2)</sup>
RL1313A	138	521	K	39	RL1317A
RL1317A	138	647	K	43	RL725A
RL1319A	138	616	K	42	RL645A
RL1319A277	138	630	K	46	
RL1323A	138	348	K	24	RL1304A
RL1324A	138	377	K	31	RL1307A
RL144A	132	237	C1	17	RL245A
RL245A	132	255	C1	19	RL1301A
RL324A	132	232	C1	23	RL1208A
RL344A	132	291	C1	25	
RL345A	132	293	C1	25	RL1304A
RL445A	132	311	C1	33	RL1307A
RL525A	132	328	C1	30	RL1309A
RL545A	132	393	C1	32	RL1310A
RM3003	138	280	K	19	RM3007
RM3006	138	268	K	20	RM3009
RM3007	138	283	K	21	RM3010
RM3009	138	283	K	19	
RM3010	138	356	K	23	
RM3104	138	322	K	22	RM3108
RM3108	138	366	K	23	RM3112
RM3108A	140	429	K	24	RM3112A
RM3111	138	372	K	22	RM3115
RM3111A	140	432	K	23	RM3115A
RM3112	138	407	K	27	RM3116
RM3112A	140	462	K	27	RM3116A
RM3115	138	393	K	24	RM3120
RM3115A	140	454	K	25	RM3120A
RM3116	138	431	K	33	RM3154
RM3116A	140	481	K	30	RM3154A
RM3120	138	478	K	31	RM3155
RM3120A	140	514	K	30	RM3155A
RM3154	138	496	K	34	RM3157
RM3154A	140	511	K	33	RM3157A
RM3155	138	555	K	33	RM3158
RM3155A	140	595	K	33	RM3158TA
RM3157	138	536	K	37	
RM3157A	140	586	K	40	RM3161TA
RM3158	138	574	K	39	
RM3158TA	140	589	K	45	
RM3161TA	140	640	K	55	
RSP1441A	133	207	C1	16	
RSP2441A	133	220	C1	17	
RSP2442A	133	224	C1	18	
RSP2451A	133	223	C1	18	
RSP2452A	133	232	C1	18	
RSP3441A	133	257	C1	20	
RSP3451A	133	260	C1	20	
RTA4-2	300	3,973	E8	14	
RTA4-4	300	2,816	E8	14	RTA4-2
RTA5-14	300	2,354	E8	17	RTA5-4
RTA5-4	300	3,098	E8	14	
S20CA	340	564	E7	4	S21CA
S21CA	340	586	E7	4	S22CA

(1) Shipping weight is approximate.

(2) Baldor has suggested alternate products, however there may be slight differences in performance, efficiency, voltage range, dimensions and mounting. Customers should verify suitability of selected products for their specific application.

Gearmotors and Gear Products

PT Components

Motor Accessories

Grinders

Generators

Servo Motors and Controls

Mod Express

Baldor Education Workshops

Classifications and Sales Offices

EISA Reference Table & Index

Gearmotors and Gear Products

PT Components

Motor Accessories

Grinders

Gearmotors

Servo Motors and Controls

Mod Express

Baldor Education Workshop

Classifications and Sales Offices

EISA Reference Table & Index

Catalog Number	Page Number	List Price	Mult Sym	Ship Wgt <sup>(1)</sup>	Alternate Cat Number <sup>(2)</sup>
S22CA	340	625	E7	4	S23CA
S23CA	340	667	E7	4	
S25CA	340	1,115	E7	19	
S46	463	118	A8	3	
S61	463	118	A8	3	
SFL913B5	394	159	A8	8	
SFL918B5	394	159	A8	9	
SFL918B7	394	159	A8	8	
SFL921B5	394	177	A8	11	
SFL921B7	394	177	A8	11	
SFL924B5	394	177	A8	11	
SFL924B7	394	177	A8	11	
SFL926B5	394	228	A8	14	
SFL926B7	394	228	A8	15	
SH10HS	352,401	22	A8	2	
SSB18H71	393	345	A8	8	
SSB21H71	393	359	A8	10	
SSB26H71	393	396	A8	13	
SSBU100H012	395	145	A8		
SSBU100H014	395	145	A8		
SSBU100H015	395	145	A8		
SSBU104H015	395	91	A8		
SSBU104H100	395	91	A8		
SSBU104H102	395	91	A8		
SSBU107H015	395	173	A8		
SSBU107H100	395	173	A8		
SSBU107H102	395	173	A8		
SSBU107H103	395	173	A8		
SSBU107H104	395	173	A8		
SSBU107H105	395	173	A8		
SSGF0518AG	377	1,626	GB	30	
SSGF0518BG	377	1,626	GB	30	SSGF0521BG
SSGF0521BG	377	1,903	GB	35	SSGF0526BG
SSGF0526BG	377	2,676	GB	65	
SSGF1018AG	377	1,626	GB	30	
SSGF1018BG	377	1,626	GB	30	SSGF1021BG
SSGF1021BG	377	1,903	GB	35	SSGF1026BG
SSGF1026BG	377	2,676	GB	65	
SSGF1518AG	377	1,626	GB	30	SSGF1521AG
SSGF1521AG	377	1,903	GB	35	
SSGF1526BG	377	2,676	GB	65	
SSGF2018AG	377	1,626	GB	30	SSGF2021AG
SSGF2021AG	377	1,903	GB	35	
SSGF2026BG	377	2,676	GB	65	
SSGF2518AG	377	1,626	GB	30	SSGF2521AG
SSGF2521AG	377	1,903	GB	35	
SSGF2526BG	377	2,676	GB	65	
SSGF3018AG	377	1,626	GB	30	SSGF3021AG
SSGF3021AG	377	1,903	GB	35	
SSGF3026BG	377	2,676	GB	65	
SSGF4018AG	377	1,626	GB	30	SSGF4021AG
SSGF4021AG	377	1,903	GB	35	
SSGF4026BG	377	2,676	GB	65	
SSGF5018AG	377	1,626	GB	30	SSGF5021AG

Catalog Number	Page Number	List Price	Mult Sym	Ship Wgt <sup>(1)</sup>	Alternate Cat Number <sup>(2)</sup>
SSGF5021AG	377	1,903	GB	35	SSGF5026AG
SSGF5026AG	377	2,676	GB	65	
SSGF6018AG	377	1,626	GB	30	SSGF6021AG
SSGF6021AG	377	1,903	GB	35	SSGF6026AG
SSGF6026AG	377	2,676	GB	65	
SSGHF0518AH	378	1,717	GB	30	
SSGHF1018AH	378	1,717	GB	30	SSGHF1021AH
SSGHF1021AH	378	1,989	GB	38	
SSGHF1032CH	378	4,407	GB	100	
SSGHF1518AH	378	1,717	GB	30	SSGHF1521AH
SSGHF1521AH	378	1,989	GB	38	
SSGHF1532CH	378	4,407	GB	100	
SSGHF2018AH	378	1,717	GB	30	SSGHF2021AH
SSGHF2021AH	378	1,989	GB	38	
SSGHF2026AH	378	2,862	GB	60	
SSGHF2032CH	378	4,407	GB	100	
SSGHF3018AH	378	1,717	GB	30	SSGHF3021AH
SSGHF3021AH	378	1,989	GB	38	SSGHF3026AH
SSGHF3026AH	378	2,862	GB	60	
SSGHF3032BH	378	4,407	GB	100	
SSGHF4018AH	378	1,717	GB	30	SSGHF4021AH
SSGHF4021AH	378	1,989	GB	38	SSGHF4026AH
SSGHF4026AH	378	2,862	GB	60	
SSGHF4026BH	378	2,862	GB	60	
SSGHF4032BH	378	4,407	GB	100	
SSGHF5018AH	378	1,717	GB	30	SSGHF5021AH
SSGHF5021AH	378	1,989	GB	38	
SSGHF5026AH	378	2,862	GB	53	
SSGHF5032BH	378	4,407	GB	100	
SSGHF6018AH	378	1,717	GB	30	SSGHF6021AH
SSGHF6021AH	378	1,989	GB	38	SSGHF6026AH
SSGHF6026AH	378	2,862	GB	60	
SSGHF6032BH	378	4,407	GB	100	
T70EA	341	564	E7	4	T71EA
T71EA	341	586	E7	4	T72EA
T72EA	341	625	E7	4	T73EA
T73EA	341	667	E7	4	
T80EA	341	606	E7	4	T81EA
T81EA	341	625	E7	4	T82EA
T82EA	341	667	E7	4	
TA13HK	394	148	A8	2	
TA18HK	394	164	A8	2	
TA21HK	394	183	A8	2	
TA24HK	394	184	A8	2	
TA26HK	394	187	A8	2	
TA30HK	394	191	A8	2	
TA32HK	394	195	A8	2	
TA38HK	394	204	A8	2	
TK3300	324	176	A8	1	
TK3400	324	312	A8	4	
TK3500	324	329	A8	9	
TK3600	324	435	A8	5	
TK3600PM	324	435	A8	3	
TK7500	324	450	A8	17	

(1) Shipping weight is approximate.

(2) Baldor has suggested alternate products, however there may be slight differences in performance, efficiency, voltage range, dimensions and mounting. Customers should verify suitability of selected products for their specific application.

Catalog Number	Page Number	List Price	Mult Sym	Ship Wgt <sup>(1)</sup>	Alternate Cat Number <sup>(2)</sup>
TK9100	324	486	A8	23	
TKP1836ENC	322	757	A8	17	
TKP1836XP	322	997	A8	2	
TKP2136AC	322	56	A8	2	
TKP2136NC	322	56	A8	3	
TKP2136XC	322	1,475	A8	16	
TKP2136XPT	322	997	A8	13	
TKP400AC	322	56	A8	2	
TKP400ENC	322	757	A8	16	
TKP400NC	322	56	A8	2	
TKP400XP	322	997	A8	3	
TKP500AC	322	56	A8	2	
TKP500ENC	322	757	A8	17	
TKP500NC	322	56	A8	2	
TKP500XC	322	1,475	A8	7	
TKP500XP	322	997	A8	3	
UCC10150	154	2,106	L1	128	
UCC5700	154	1,014	L1	71	
UCC7100	154	1,114	L1	80	
UCCE130	154	1,954	L1	140	
UCCE345	154	969	L1	72	
UCCE570	154	1,116	L1	83	
UCCE7510	154	1,547	L1	106	
UCCE759	154	1,229	L1	90	
UCL1015	153	1,950	L1	134	
UCL153	153	864	L1	51	
UCL3145	153	919	L1	60	
UCL345	153	957	L1	70	
UCL570	153	1,131	L1	93	
UCL710	153	1,213	L1	92	
UCL7510	153	1,536	L1	105	
UCLE1015	153	1,985	L1	160	
UCLE153	153	950	L1	52	
UCLE3145	153	973	L1	60	
UCLE570	153	1,185	L1	94	
UCLE7510	153	1,281	L1	92	
UCM1014	153	1,286	L1	101	
UCM153	153	585	L1	39	
UCM3145	153	655	L1	45	
UCM345	153	681	L1	54	
UCM575	153	836	L1	64	
UCM713	153	1,000	L1	86	
UCME1014	153	1,328	L1	120	
UCME153	153	668	L1	42	
UCME3145	153	706	L1	45	
UCME345	153	754	L1	65	
UCME570	153	887	L1	66	
UCME7510	153	1,040	L1	82	
UCME759	153	1,040	L1	85	
V2L145A	132	223	C1	20	VL145A
V2L225A	132	218	C1	21	VL225A
V2L245A	132	260	C1	23	VL245A
V2L325A	132	245	C1	24	VL325A
V2L425A	132	279	C1	26	VL425A

Catalog Number	Page Number	List Price	Mult Sym	Ship Wgt <sup>(1)</sup>	Alternate Cat Number <sup>(2)</sup>
V2L525A	132	312	C1	34	VL525A
VBL3507	179	1,179	K	41	VBL3510
VBL3510	179	1,250	K	48	
VBL3510T	179	1,250	L1	49	
VBL3518-D	172	1,066	K	49	
VBL3519-D	172	1,184	K	56	
VBL3597-D	172	1,126	K	50	
VBM3108	180	819	K	28	VBM3538
VBM3112	180	957	K	32	VBM3542
VBM3116	180	1,036	K	34	VBM3546
VBM3116T	180	1,119	L1	34	VBM3546T
VBM3154	180	1,204	K	42	VBM3554
VBM3154T	180	1,300	L1	42	VBM3554T
VBM3157T	180	1,465	L1	47	VBM3558T
VBM3211T	180	1,856	L1	74	VBM3611T
VBM3218T	180	2,303	L1	77	VBM3248T
VBM3248T	180	1,937	L1	74	VBM3218T
VBM3538	179	869	K	31	VBM3542
VBM3538-5D	173	1,062	K	25	
VBM3538-5S	176	1,008	K	47	
VBM3538-D	173	1,062	K	27	
VBM3538-S	176	1,008	K	44	
VBM3542	179	1,018	K	37	VBM3546
VBM3542-5	179	1,018	K	42	
VBM3542-D	173	1,103	K	52	
VBM3542-S	176	1,049	K	50	
VBM3546	179	1,172	K	38	VBM3554
VBM3546-5S	176	1,097	K	47	
VBM3546-D	173	1,153	K	52	
VBM3546-S	176	1,097	K	49	
VBM3546T	179	1,172	L1	39	
VBM3546T-5	179	1,172	L1	39	
VBM3546T-5D	173	1,245	L1	50	
VBM3546T-D	173	1,245	L1	49	
VBM3546T-S	176	1,097	L1	49	
VBM3554	179	1,316	K	48	VBM3558
VBM3554-D	174	1,196	K	57	
VBM3554-S	176	1,137	K	51	
VBM3554T	179	1,316	L1	52	VBM3558T
VBM3554T-5D	174	1,292	L1	57	
VBM3554T-5S	176	1,137	L1	52	
VBM3554T-D	174	1,292	L1	54	
VBM3554T-S	176	1,137	L1	51	
VBM3558	179	1,349	K	52	
VBM3558-D	174	1,223	K	56	
VBM3558-S	176	1,164	K	57	
VBM3558T	179	1,349	L1	51	
VBM3558T-5D	174	1,321	L1	31	
VBM3558T-5S	176	1,164	L1	58	
VBM3558T-D	174	1,321	L1	57	
VBM3558T-S	176	1,164	L1	56	
VBM3611T	179	1,886	L1	67	
VBM3611T-5D	174	1,830	L1	65	
VBM3611T-D	174	1,830	L1	82	

(1) Shipping weight is approximate.

(2) Baldor has suggested alternate products, however there may be slight differences in performance, efficiency, voltage range, dimensions and mounting. Customers should verify suitability of selected products for their specific application.

Gearmotors and Gear Products  
PT Components  
Motor Accessories  
Grinders  
Gearmotors  
Servo Motors and Controls  
Mod Express  
Baldor Education Workshop  
Classifications and Sales Offices  
EISA Reference Table & Index

Catalog Number	Page Number	List Price	Mult Sym	Ship Wgt <sup>(1)</sup>	Alternate Cat Number <sup>(2)</sup>
VBM3611T-S	176	1,609	L1	80	
VBM3615T	179	2,330	L1	85	
VBM3615T-5D	174	2,263	L1	114	
VBM3615T-D	174	2,263	L1	122	
VBM3615T-S	176	1,990	L1	97	
VBM3710T	179	2,985	L1	161	
VBM3710T-D	174	2,952	L1	162	
VBM3714T	179	3,788	L1	171	
VBM3714T-D	174	3,730	L1	174	
VBNM3538-D	173	1,087	K	49	
VBNM3542-D	173	1,128	K	50	
VBNM3546-D	173	1,179	K	56	
VBNM3546T-D	173	1,179	L1	57	
VBNM3554-D	174	1,221	K	65	
VBNM3554T-D	174	1,221	L1	65	
VCP2276T	73	2,245	SD	316	
VCP2332T	73	2,987	SD	326	
VCP2333T	73	2,540	SD	312	
VCP2334T	73	2,778	SD	325	
VCP3580-4	72	749	SD	51	
VCP3581	72	615	SD	54	
VCP3581-4	72	615	SD	54	
VCP3581T	72	615	SD	56	
VCP3581T-4	72	615	SD	53	
VCP3582T	72	893	SD	64	
VCP3583T-4	73	844	SD	55	
VCP3584T	73	773	SD	60	
VCP3584T-4	73	773	SD	57	VCP3587T-4
VCP3586T-4	73	898	SD	59	
VCP3587T	73	790	SD	62	
VCP3587T-4	73	790	SD	60	
VCP3660T-4	73	1,097	SD	122	
VCP3661T	73	1,123	SD	132	
VCP3661T-4	73	1,123	SD	137	
VCP3663T-4	73	1,367	SD	135	
VCP3664T	73	978	SD	145	
VCP3665T	73	1,156	SD	136	
VCP3665T-4	73	1,156	SD	138	
VCP3667T	73	1,048	SD	138	
VCP3764T	73	1,559	SD	166	
VCP3769T-4	73	1,772	SD	181	
VCP3770T	73	1,592	SD	187	
VCP3770T-4	73	1,592	SD	188	
VCP3771T-4	73	1,885	SD	186	
VCP3774T	73	1,712	SD	191	
VCP3774T-4	73	1,712	SD	194	
VCP4100T	73	4,201	SD	322	
VCP4102T	73	4,790	SD	444	
VCP4103T	73	3,457	SD	439	
VCP4111T	73	5,775	SD	655	
VEBM3546	177	1,398	K	52	
VEBM3546-D	173	1,352	K	40	
VEBM3546T	177	1,408	L1	49	
VEBM3546T-5D	173	1,352	L1	40	

Catalog Number	Page Number	List Price	Mult Sym	Ship Wgt <sup>(1)</sup>	Alternate Cat Number <sup>(2)</sup>
VEBM3546T-D	173	1,352	L1	40	
VEBM3546T-SG	175	1,400	L1	47	
VEBM3554	177	1,572	K	58	
VEBM3554-D	174	1,408	K	52	
VEBM3554T	177	1,582	L1	59	
VEBM3554T-5D	174	1,408	L1	53	
VEBM3554T-D	174	1,408	L1	53	
VEBM3554T-SG	175	1,455	L1	59	
VEBM3558	177	1,615	K	58	
VEBM3558T	177	1,615	L1	57	
VEBM3558T-5D	174	1,438	L1	40	
VEBM3558T-D	174	1,438	L1	40	
VEBM3558T-SG	175	1,483	L1	67	
VEBM3611T	177	2,116	L1	81	
VEBM3611T-5D	174	1,898	L1	79	
VEBM3611T-D	174	1,898	L1	79	
VEBM3611T-SG	175	1,929	L1	77	
VEBM3615T	177	2,548	L1	104	
VEBM3615T-5D	174	2,289	L1	120	
VEBM3615T-D	174	2,289	L1	120	
VEBM3615T-SG	175	2,299	L1	115	
VEBM3710T	177	3,479	L1	171	
VEBM3710T-D	174	3,116	L1	170	
VEBM3714T	177	4,266	L1	158	
VEBNM3538	177	1,227	K	41	
VEBNM3542	177	1,380	K	41	
VECP2276T	73	2,991	SD	310	
VECP2332T	73	3,744	SD	320	
VECP2333T	73	2,891	SD	255	
VECP2333T-4	73	2,891	SD	280	
VECP2334T	73	3,065	SD	286	
VECP3580-4	72	882	SD	58	
VECP3581	72	964	SD	66	
VECP3581-4	72	964	SD	64	
VECP3581T	72	964	SD	65	
VECP3581T-4	72	964	SD	65	
VECP3582T	72	1,062	SD	67	
VECP3583T-4	73	995	SD	64	
VECP3584T	73	980	SD	70	
VECP3584T-4	73	980	SD	68	
VECP3586T-4	73	1,042	SD	71	
VECP3587T	73	1,021	SD	74	
VECP3587T-4	73	1,021	SD	67	
VECP3660T-4	73	1,251	SD	136	
VECP3661T	73	1,311	SD	143	
VECP3661T-4	73	1,311	SD	143	
VECP3663T-4	73	1,522	SD	143	
VECP3664T	73	1,279	SD	151	
VECP3665T	73	1,334	SD	150	
VECP3665T-4	73	1,334	SD	146	
VECP3667T	73	1,261	SD	146	
VECP3764T	73	1,887	SD	200	
VECP3768T	73	1,909	SD	203	
VECP3769T-4	73	2,039	SD	198	

(1) Shipping weight is approximate.

(2) Baldor has suggested alternate products, however there may be slight differences in performance, efficiency, voltage range, dimensions and mounting. Customers should verify suitability of selected products for their specific application.



Catalog Number	Page Number	List Price	Mult Sym	Ship Wgt <sup>(1)</sup>	Alternate Cat Number <sup>(2)</sup>
VECP3770T	73	1,733	SD	207	
VECP3770T-4	73	1,733	SD	201	
VECP3771T-4	73	2,160	SD	203	
VECP3774T	73	2,047	SD	231	
VECP3774T-4	73	2,047	SD	231	
VECP4100T	73	4,414	SD	472	
VECP4102T	73	5,761	SD	482	
VECP4103T	73	4,058	SD	395	
VECP4111T	73	6,064	SD	717	
VECP82333T-4	76	2,925	SD	280	
VECP82334T-4	76	3,101	SD	322	
VECP82394T-4	76	3,000	SD	239	
VECP83583T-4	76	1,016	SD	71	
VECP83584T-4	76	1,057	SD	75	
VECP83586T-4	76	1,114	SD	81	
VECP83587T-4	76	1,102	SD	77	
VECP83660T-4	76	1,354	SD	128	
VECP83661T-4	76	1,435	SD	141	
VECP83663T-4	76	1,649	SD	143	
VECP83665T-4	76	1,443	SD	155	
VECP83769T-4	76	2,128	SD	194	
VECP83770T-4	76	1,818	SD	205	
VECP83771T-4	76	2,260	SD	209	
VECP83774T-4	76	2,203	SD	231	
VECP84106T-4	76	3,420	SD	310	
VEFWD3546T	90	943	WD	39	
VEFWD3554T	90	1,012	WD	51	
VEJMM3116T	38,126	623	L1	44	
VEJMM3154T	38,126	668	L1	49	
VEJMM3157T	38,126	731	L1	50	
VEJMM3211T	38,126	802	L1	81	
VEJMM3218T	38,126	908	L1	87	
VEJMM3311T	38,126	1,370	L1	119	
VEJMM3313T	38,126	1,483	L1	158	
VEJMM3546T	37,124	609	L1	41	
VEJMM3554T	37,124	642	L1	51	
VEJMM3558T	37,124	769	L1	49	
VEJMM3611T	37,124	878	L1	70	
VEJMM3615T	37,124	1,013	L1	90	
VEJMM3710T	37,124	1,483	L1	128	
VEJMM3714T	37,124	1,717	L1	158	
VEM2333T-5	19,189	2,763	L1	238	
VEM2334T-5	19,189	3,261	L1	286	
VEM3538	11,55	614	LS	31	
VEM3542	11,55	652	LS	34	
VEM3545	11,55	584	K	32	VM3545
VEM3546	11,55	671	LS	39	VM3546
VEM3546T	11,55	684	LS	42	
VEM3546T-5	19,189	684	LS	42	
VEM3550	11,56	616	K	41	VM3550
VEM3550T-5	19,189	667	L1	41	
VEM3554	11,56	746	LS	48	VM3554
VEM3554T	11,56	714	LS	49	
VEM3554T-5	19,189	714	LS	49	

Catalog Number	Page Number	List Price	Mult Sym	Ship Wgt <sup>(1)</sup>	Alternate Cat Number <sup>(2)</sup>
VEM3555	11,56	676	K	49	VM3555
VEM3556	55	759	K	43	VM3556
VEM3558	11,56	787	LS	49	VM3558
VEM3558T	11,56	801	LS	47	
VEM3558T-5	19,189	801	LS	47	
VEM3581	11,55	853	K	58	
VEM3581T	11,55	853	L1	55	
VEM3581T-5	19,189	853	L1	55	
VEM3584T	11,56	855	L1	61	
VEM3584T-5	19,189	855	L1	59	
VEM3587T	11,56	921	L1	64	
VEM3587T-5	19,189	921	L1	66	
VEM3610T	11,56	827	L1	67	
VEM3610T-5	19,189	827	L1	67	
VEM3611T	11,56	908	L1	71	
VEM3611T-5	19,189	908	L1	71	
VEM3613T	11,56	912	L1	78	
VEM3613T-5	19,189	912	L1	81	
VEM3615T	11,56	990	L1	94	
VEM3615T-5	19,189	990	L1	92	
VEM3661T	11,56	1,066	L1	97	
VEM3661T-5	19,189	1,066	L1	94	
VEM3665T	11,56	1,068	L1	126	
VEM3665T-5	19,189	1,068	L1	113	
VEM3709T-5	19,189	1,393	L1	131	
VEM3710T	11,56	1,268	L1	127	
VEM3710T-5	19,189	1,268	L1	141	
VEM3711T-5	19,189	1,407	L1	159	
VEM3713T-5	19,189	1,949	L1	172	
VEM3714T	11,57	1,417	L1	165	
VEM3714T-5	19,189	1,417	L1	165	
VEM3770T	11,56	1,481	L1	170	
VEM3770T-5	19,189	1,481	L1	164	
VEM3774T	11,57	1,643	L1	231	
VEM3774T-5	19,189	1,643	L1	197	
VEM7014T-5	109,198	1,167	L1	44	
VEM7034T-5	109,198	1,272	L1	52	
VEM7037T-5	109,198	1,348	L1	53	
VEM7042T-5	109,198	1,522	L1	95	
VEM7044T-5	109,198	1,798	L1	112	
VEM8003T-5	84	1,113	SD	60	
VEM8004T-5	85	957	SD	63	
VEM8005T-5	85	1,022	SD	67	
VENCP83580T-4	76	868	SD	56	
VENCP83581T-4	76	937	SD	62	
VENM3538	55	565	K	32	
VENM3542	55	617	L1	33	
VENM3546T	55	622	L1	43	
VENM3581T	55	891	L1	55	
VESWDM3546	33,93	965	WD	39	
VESWDM3554	33,93	1,051	WD	47	
VESWDM3554T	33,93	1,051	WD	47	
VESWDM3558T	33,93	1,200	WD	50	
VEUHM3538	170	535	K	35	

(1) Shipping weight is approximate.

(2) Baldor has suggested alternate products, however there may be slight differences in performance, efficiency, voltage range, dimensions and mounting. Customers should verify suitability of selected products for their specific application.

Gearmotors and Gear Products  
 PT Components  
 Motor Accessories  
 Grinders  
 Gearmotors  
 Servo Motors and Controls  
 Mod Express  
 Baldor Education Workshop  
 Classifications and Sales Offices  
 EISA Reference Table & Index

Catalog Number	Page Number	List Price	Mult Sym	Ship Wgt <sup>(1)</sup>	Alternate Cat Number <sup>(2)</sup>
VEUHM3542	170	568	K	34	
VEUHM3546	170	585	K	42	
VEUHM3546T	170	596	L1	42	
VEUHM3546T-5	170	596	L1	42	
VEUHM3546T-G	169	701	L1	42	
VEUHM3554T	170	622	L1	51	
VEUHM3554T-5	170	622	L1	51	
VEUHM3554T-G	169	727	L1	51	
VEUHM3558T	171	691	L1	51	
VEUHM3558T-5	171	691	L1	51	
VEUHM3558T-G	169	796	L1	51	
VEUHM3611T	171	785	L1	70	
VEUHM3611T-G	169	900	L1	71	
VEUHM3615T	171	864	L1	94	
VEUHM3615T-G	169	979	L1	94	
VEUHM3710T	171	1,274	L1	141	
VEUHM3710T-G	169	1,395	L1	127	
VEWDM3546	90	911	WD	45	
VEWDM3546T	90	918	WD	46	
VEWDM3554	90	978	WD	48	
VEWDM3554T	90	986	WD	48	
VEWDM3558	90	1,041	WD	49	
VEWDM3558T	90	1,061	WD	48	
VEWDM3611T	90	1,334	WD	69	
VEWDM3615T	90	1,512	WD	91	
VEWDM3710T	90	2,022	WD	126	
VEWDM3714T	90	2,173	WD	155	
VFDL3501M	151	479	K	23	VFDL3504M
VFDL3504M	151	551	K	28	VFDL3507M
VFDL3507M	151	642	K	38	
VFDL3510M	151	729	K	39	VFDL3514M
VFDL3514M	151	827	K	47	
VFDL3516TM	151	1,076	L1	52	CL3516TM
VFDL3610TM	151	1,458	L1	97	
VFDL3612TM	151	1,784	L1	100	
VFWDM3538	90	597	WD	32	
VFWDM3542	90	646	WD	31	
VHECP2333T	128	4,022	SD	255	
VHECP2334T	128	4,568	SD	303	
VHECP2394T	128	3,880	SD	285	
VHECP3660T	128	2,111	SD	120	
VHECP3661T	128	1,890	SD	121	
VHECP3663T	128	2,726	SD	128	
VHECP3665T	128	2,517	SD	142	
VHECP3769T	128	3,228	SD	173	
VHECP3770T	128	3,124	SD	170	
VHECP3771T	128	3,366	SD	203	
VHECP3774T	128	3,505	SD	231	
VHECP4103T	128	5,096	SD	462	
VHECP4104T	128	5,719	SD	506	
VHECP4106T	128	4,220	SD	265	
VHECP4107T	128	4,487	SD	335	
VHECP4108T	128	4,941	SD	325	
VHECP4109T	128	6,916	SD	612	

Catalog Number	Page Number	List Price	Mult Sym	Ship Wgt <sup>(1)</sup>	Alternate Cat Number <sup>(2)</sup>
VHECP4110T	128	6,468	SD	670	
VHECP4114T	128	8,475	SD	641	
VHECP4115T	128	9,137	SD	717	
VHECP4310T	128	10,828	SD	881	
VHECP4313T	128	13,528	SD	953	
VHECP4314T	128	11,303	SD	885	
VHECP4316T	128	13,765	SD	973	
VHM2513T	129	3,202	L1	255	
VHM2514T	129	3,361	L1	253	
VHM2515T	129	3,637	L1	255	
VHM2516T	129	3,575	L1	239	
VHM2531T	129	4,058	L1	454	
VHM2534T	129	3,933	L1	444	
VHM2535T	129	4,557	L1	473	
VHM2538T	129	5,676	L1	463	
VHM2539T	129	5,308	L1	703	
VHM2542T	129	6,955	L1	686	
VHM2543T	129	7,498	L1	730	
VHM2546T	129	8,886	L1	730	
VHM2547T	129	9,275	L1	908	
VHM2549T	129	11,102	L1	815	
VHM2551T	129	11,295	L1	962	
VHM3210T	129	1,836	L1	87	
VHM3211T	129	1,641	L1	137	
VHM3212T	129	2,368	L1	99	
VHM3218T	129	2,186	L1	137	
VHM3219T	129	2,805	L1	115	
VHM3311T	129	2,714	L1	169	
VHM3312T	129	2,927	L1	169	
VHM3313T	129	3,045	L1	206	
VHM3314T	129	3,090	L1	179	
VJMM2333T	124	2,528	L1	200	
VJMM2333T-5	196	2,528	L1	190	
VJMM2334T	124	2,613	L1	257	
VJMM2334T-5	196	2,613	L1	267	
VJMM3116T	126	528	L1	35	
VJMM3154T	126	536	L1	36	VJMM3157T
VJMM3157T	126	599	L1	40	
VJMM3158T	126	665	L1	44	
VJMM3211T	126	654	L1	57	
VJMM3212T	126	770	L1	60	
VJMM3218T	126	699	L1	67	
VJMM3219T	126	907	L1	78	
VJMM3311T	126	1,021	L1	100	
VJMM3312T	126	1,138	L1	91	
VJMM3313T	126	1,195	L1	109	
VJMM3314T	126	1,535	L1	114	
VJMM3546T	124	590	L1	32	
VJMM3546T-5	196	590	L1	36	
VJMM3554T	124	618	L1	37	
VJMM3554T-5	196	618	L1	34	
VJMM3558T	124	646	L1	45	
VJMM3558T-5	196	646	L1	45	
VJMM3611T	124	772	L1	61	

<sup>(1)</sup> Shipping weight is approximate.

<sup>(2)</sup> Baldor has suggested alternate products, however there may be slight differences in performance, efficiency, voltage range, dimensions and mounting. Customers should verify suitability of selected products for their specific application.

Catalog Number	Page Number	List Price	Mult Sym	Ship Wgt <sup>(1)</sup>	Alternate Cat Number <sup>(2)</sup>
VJMM3611T-5	196	772	L1	72	
VJMM3615T	124	865	L1	76	
VJMM3615T-5	196	865	L1	76	
VJMM3710T	124	1,123	L1	117	
VJMM3710T-5	196	1,123	L1	121	
VJMM3714T	124	1,387	L1	128	
VJMM3714T-5	196	1,387	L1	130	
VL1205A	117	258	K	27	
VL1301	45	308	K	22	CL1301
VL1301A	117	310	K	26	
VL1303	45	280	K	21	VL1303A
VL1303A	117	297	K	26	VL1306A
VL1304	45	339	K	24	CL1304
VL1304A	117	370	K	25	
VL1305	45	663	K	36	VL3505
VL1306	45	335	K	27	VL1306A
VL1306A	117	353	K	30	VL425A
VL1307	45	414	K	33	VL1307A
VL1307A	117	483	K	34	VL1318A
VL1308	45	743	K	43	VL3508
VL1309	45	352	K	32	VL1309A
VL1309A	117	373	K	32	VL1313A
VL1310	45	451	K	34	VL1318
VL1313	45	487	K	32	VL1313A
VL1313A	117	509	K	35	VL1317A
VL1317	45	641	K	43	VL1317A
VL1317A	117	659	K	43	VL3515
VL1318	45	490	K	42	VL1318A
VL1318A	117	512	K	41	VL545A
VL1319	45	576	K	42	VL3514
VL1321T	45	652	L1	49	VL1322T
VL1322T	45	664	L1	47	
VL1323A	117	681	K	49	VL825A
VL1406T	45	807	L1	59	VL3606T
VL1408T	45	817	L1	76	CL1408TM
VL3501	42	328	K	22	CL3501
VL3501-50	213	404	K	24	VL3504-50
VL3503	42	331	K	21	CL3503
VL3503-50	213	366	K	25	VL3506-50
VL3504	42	383	K	27	CL3504
VL3504-50	213	469	K	32	VL3507-50
VL3505	42	709	K	41	VL3508
VL3506	42	368	K	29	CL3506
VL3506-50	213	423	K	35	VL3509-50
VL3506A	42	407	K	28	VL3509A
VL3507	42	439	K	34	VFDL3507M
VL3507-50	213	555	K	39	VL3514-50
VL3508	42	816	K	41	
VL3509	42	424	K	36	VL3509A
VL3509-50	213	497	K	40	VL3513-50
VL3509A	42	463	K	40	VL3509
VL3510	42	503	K	38	CL3510
VL3510-50	213	635	K	44	VL3514-50
VL3510T	42	503	L1	39	VL3514T

Catalog Number	Page Number	List Price	Mult Sym	Ship Wgt <sup>(1)</sup>	Alternate Cat Number <sup>(2)</sup>
VL3513	42	552	K	40	CL3513
VL3513-50	213	640	K	50	VL3515-50
VL3513T	42	586	L1	41	VL3515T
VL3514	42	570	K	47	CL3514
VL3514-50	213	718	K	50	
VL3514T	42	576	L1	47	CL3516TM
VL3515	42	706	K	51	CL3515
VL3515-50	213	812	K	52	
VL3515T	42	719	L1	50	CL3515T
VL3605	42	1,154	L1	65	
VL3605T	42	1,020	L1	66	
VL3606T	42	1,138	L1	71	
VL3609T	42	1,204	L1	76	VFDL3610TM
VL4005A	105	491	K	30	
VL5000A	105	645	K	30	
VL5001A	105	659	K	29	CL5001A
VL5002A	105	883	K	42	VL5005A
VL5003A	105	635	K	30	CL5003A
VL5004A	105	728	K	36	CL5004A
VL5005A	105	1,013	K	50	
VL5006A	105	679	K	40	VL5009A
VL5007A	105	811	K	47	CL5007A
VL5009A	105	728	K	49	CL5009A
VL5023A	105	921	K	51	CL5023A
VL5024A	105	1,216	K	75	
VL5027	105	1,934	L1	91	
VL5030	105	1,048	K	54	
VLCP2333T	128	3,848	SD	227	
VLCP2334T	128	4,367	SD	280	
VLCP2394T	128	3,710	SD	212	
VLCP3660T	128	2,021	SD	113	
VLCP3661T	128	1,807	SD	117	
VLCP3663T	128	2,608	SD	129	
VLCP3665T	128	2,407	SD	128	
VLCP3769T	128	3,089	SD	190	
VLCP3770T	128	2,987	SD	195	
VLCP3771T	128	3,222	SD	200	
VLCP3774T	128	3,352	SD	206	
VLCP4103T	128	4,873	SD	310	VLCP4104T
VLCP4104T	128	5,469	SD	315	
VLCP4106T	128	4,052	SD	308	
VLCP4107T	128	4,292	SD	476	
VLCP4108T	128	4,724	SD	496	
VLCP4109T	128	6,613	SD	624	
VLCP4110T	128	6,185	SD	640	
VM2332T	57	2,367	L1	290	
VM2333T	57	2,222	LS	199	
VM2333T-5	189	2,222	LS	266	
VM2334T	57	2,601	LS	273	
VM2334T-5	189	2,601	LS	275	
VM2394T	57	2,450	L1	200	
VM2513T	65	1,714	L1	141	CM2513T
VM2514T	65	2,118	L1	146	
VM2515T	65	2,135	L1	211	CM2515T

(1) Shipping weight is approximate.

(2) Baldor has suggested alternate products, however there may be slight differences in performance, efficiency, voltage range, dimensions and mounting. Customers should verify suitability of selected products for their specific application.

Gearmotors and Gear Products

PT Components

Motor Accessories

Grinders

Generators

Servo Motors and Controls

Mod Express

Baldor Education Workshops

Classifications and Sales Offices

EISA Reference Table & Index

Gearmotors and Gear Products

PT Components

Motor Accessories

Grinders

Gearmotors

Servo Motors and Controls

Mod Express

Baldor Education Workshop

Classifications and Sales Offices

EISA Reference Table & Index

Catalog Number	Page Number	List Price	Mult Sym	Ship Wgt <sup>(1)</sup>	Alternate Cat Number <sup>(2)</sup>
VM2516T	65	2,507	LS	180	
VM2531T	65	2,722	L1	226	
VM2534T	65	2,833	L1	234	
VM3104	64	282	LS	20	VM3534
VM3107	64	295	K	19	CM3107
VM3108	64	320	LS	22	VM3538
VM3109	64	497	K	25	CM3539
VM3111	64	415	K	21	VM3541
VM3112	64	354	LS	25	VM3542
VM3115	64	393	K	23	VM3545
VM3116	64	397	LS	29	VM3546
VM3116T	64	431	LS	30	CM3116T
VM3120	64	437	K	30	VM3550
VM3120T	64	504	L1	31	VM3550T
VM3153	64	534	K	33	VM3543
VM3153T	64	534	L1	33	VM3543T
VM3154	64	456	LS	34	VM3554
VM3154T	64	502	LS	35	CM3154T
VM3155	64	508	K	32	VM3555
VM3155T	64	556	L1	33	VM3555T
VM3156T	64	599	L1	37	VM3556T
VM3157	64	472	LS	38	VM3558
VM3157T	64	517	LS	38	CM3157T
VM3158	65	522	K	41	
VM3158T	65	591	L1	40	CM3158T
VM3159T	64	653	L1	41	VM3557T
VM3161T	65	605	L1	53	
VM3211	65	739	L1	50	VM3611
VM3211T	65	567	L1	61	CM3211T
VM3212T	65	640	L1	62	CM3212T
VM3215T	64	680	L1	58	VM3614T
VM3218	65	588	L1	66	VM3615
VM3218T	65	621	L1	65	CM3218T
VM3219T	65	785	L1	75	CM3219T
VM3305T	65	865	L1	98	VM3704T
VM3309T	65	1,136	L1	113	VM3708T
VM3311T	65	917	L1	96	CM3311T
VM3312T	65	1,125	L1	107	
VM3313T	65	1,098	L1	129	CM3313T
VM3314T	65	1,593	L1	125	
VM3531	55	443	K	19	VM3535
VM3534	55	314	LS	22	VM3538
VM3534-5	189	314	LS	20	VM3538-5
VM3534-50	213	359	K	20	VM3538-50
VM3535	55	498	K	21	VM3539
VM3537	55	340	K	19	CM3537
VM3537-5	189	340	K	19	
VM3537-50	213	390	K	23	VM3541-50
VM3538	55	360	LS	23	CM3538
VM3538-5	189	360	LS	22	VM3542-5
VM3538-50	213	420	K	25	VM3542-50
VM3539	55	534	K	23	VM3543
VM3541	55	372	K	21	CM3541
VM3541-5	189	372	K	21	

Catalog Number	Page Number	List Price	Mult Sym	Ship Wgt <sup>(1)</sup>	Alternate Cat Number <sup>(2)</sup>
VM3541-50	213	407	K	22	VM3545-50
VM3542	55	383	LS	25	CM3542
VM3542-5	189	383	LS	25	VM3546-5
VM3542-50	213	451	K	33	
VM3543	55	546	K	32	CM3543
VM3543T	55	546	L1	33	
VM3545	55	435	K	23	CM3545
VM3545-5	189	435	K	24	
VM3545-50	213	483	K	26	
VM3546	55	400	LS	30	CM3546
VM3546-5	189	400	LS	30	VM3554-5
VM3546-50	213	478	K	37	
VM3546T	55	486	LS	31	CM3546T
VM3546T-5	189	486	LS	34	
VM3546T-50	213	478	L1	35	
VM3550	56	473	K	28	CM3550
VM3550-5	189	473	K	29	
VM3550T	56	549	L1	31	CM3550T
VM3550T-5	189	549	L1	30	
VM3550T-50	213	525	L1	36	
VM3554	56	449	LS	34	CM3554
VM3554-5	189	449	LS	34	VM3558-5
VM3554T	56	495	LS	34	CM3554T
VM3554T-5	189	495	LS	40	VM3558T-5
VM3554T-50	213	497	L1	39	VM3558T-50
VM3555	56	527	K	33	VM3559
VM3555-5	189	527	K	32	
VM3555-50	213	522	K	33	
VM3555T	56	626	L1	34	CM3555T
VM3555T-50	213	574	L1	41	
VM3556	55	557	K	37	CM3556
VM3556T	55	654	L1	40	CM3556T
VM3557	56	636	K	40	
VM3557T	56	683	L1	39	
VM3558	56	482	LS	44	VM3561
VM3558-5	189	482	LS	41	
VM3558T	56	520	LS	42	VM3587T
VM3558T-5	189	520	LS	45	
VM3558T-50	213	527	L1	46	
VM3559	56	611	K	44	
VM3559-5	189	611	K	45	
VM3559T	56	714	L1	45	CM3559T
VM3561	56	640	K	49	
VM3561T	56	691	L1	59	
VM3603	55	826	L1	30	
VM3606	56	878	L1	34	VM3609
VM3607	56	985	L1	42	
VM3609	56	912	L1	41	VM3611
VM3610	56	887	L1	46	VM3613
VM3610T	56	782	L1	50	CM3610T
VM3610T-5	189	782	L1	56	
VM3611	56	942	L1	52	VM3615
VM3611T	56	628	LS	56	CM3611T
VM3611T-5	189	628	LS	65	CWDM3611T5

(1) Shipping weight is approximate.

(2) Baldor has suggested alternate products, however there may be slight differences in performance, efficiency, voltage range, dimensions and mounting. Customers should verify suitability of selected products for their specific application.

Catalog Number	Page Number	List Price	Mult Sym	Ship Wgt <sup>(1)</sup>	Alternate Cat Number <sup>(2)</sup>
VM3613	56	846	L1	67	
VM3613T	56	890	L1	69	CM3613T
VM3613T-5	189	890	L1	72	
VM3614	56	1,030	L1	63	
VM3614T	56	827	L1	65	CM3614T
VM3615	56	1,076	L1	73	
VM3615T	56	719	LS	75	CM3615T
VM3615T-5	189	719	LS	85	
VM3616T	56	1,071	L1	88	CM3616T
VM3661T	56	1,010	L1	95	
VM3661T-9	82	949	L1	85	CM3661T
VM3663T	56	1,224	L1	93	
VM3664T	56	1,069	L1	99	
VM3665T	56	1,025	L1	106	
VM3665T-9	82	973	L1	100	
VM3703	56	1,001	L1	62	
VM3704	56	1,209	L1	86	
VM3704T	56	1,084	L1	96	CM3704T
VM3707	56	1,236	L1	76	
VM3708T	56	1,283	L1	123	CM3708T
VM3709T	56	1,346	L1	96	CM3709T
VM3709T-5	189	1,346	L1	87	
VM3710T	56	959	LS	109	CM3710T
VM3710T-5	189	959	LS	112	
VM3711T	57	1,400	L1	122	CM3711T
VM3711T-5	189	1,400	L1	123	
VM3713T	57	1,748	L1	140	CM3713T
VM3713T-5	189	1,748	L1	165	
VM3714T	57	1,142	LS	129	CM3714T
VM3714T-5	189	1,142	LS	137	
VM3770T	56	1,418	L1	164	
VM3774T	57	1,514	L1	169	
VM4103T	57	3,263	LS	373	CM4103T
VM4104T	57	3,326	LS	401	CM4104T
VM4106T	57	2,653	L1	221	
VM4107T	57	3,405	L1	371	
VM4108T	57	3,649	L1	403	
VM7001A	106	768	K	26	
VM7002A	106	784	K	28	
VM7005A	106	759	K	26	
VM7006-5	109,198	825	K	34	
VM7006-I	114	756	SD	53	
VM7006A	106	825	K	30	
VM7007A	106	960	K	38	
VM7009A	106	784	K	29	
VM7010-5	109,198	840	K	35	
VM7010-I	114	840	SD	49	
VM7010A	106	840	K	33	
VM7013	107	817	K	31	
VM7014	107	882	K	41	
VM7014-5	109,198	952	K	40	
VM7014-I	114	882	SD	51	
VM7014T	107	952	L1	40	
VM7014T-5	109,198	882	L1	44	

Catalog Number	Page Number	List Price	Mult Sym	Ship Wgt <sup>(1)</sup>	Alternate Cat Number <sup>(2)</sup>
VM7014T-I	114	952	SD	50	
VM7018T	107	1,003	L1	41	
VM7026T	107	1,313	L1	74	
VM7031A	106	1,008	K	44	
VM7032	107	1,062	K	46	
VM7034	107	950	K	43	
VM7034-I	114	950	SD	55	
VM7034T	107	1,026	L1	43	
VM7034T-5	109,198	1,026	L1	50	
VM7034T-I	114	1,026	SD	58	
VM7035T	107	1,173	L1	58	
VM7037	107	1,027	K	51	
VM7037T	107	1,110	L1	50	
VM7037T-5	109,198	1,110	L1	51	
VM7037T-I	114	1,110	SD	60	
VM7042T	107	1,423	L1	81	
VM7042T-5	109,198	1,423	L1	92	
VM7042T-I	114	1,423	SD	109	
VM7044T	107	1,733	L1	111	
VM7044T-5	109,198	1,733	L1	109	
VM7044T-I	114	1,733	SD	122	
VM7045T	107	2,182	L1	144	
VM7047T	107	2,006	L1	156	
VM7047T-5	109,198	2,006	L1	171	
VM7047T-I	114	2,006	SD	165	
VM7071T	107	1,122	L1	47	
VM7072T	107	1,660	L1	97	
VM7073T	107	1,874	L1	110	
VM7075T	107	1,245	L1	54	
VM7170T	107	2,433	L1	220	
VM7170T-I	114	2,433	SD	230	
VM8001	84	539	SD	27	VWDM3538
VM8001-5	84	539	SD	33	
VM8002	84	679	SD	30	VM8003
VM8002-5	84	679	SD	31	
VM8003	84	731	SD	36	VM8004
VM8003T	84	826	SD	53	
VM8003T-5	84	826	SD	54	
VM8004	85	779	SD	41	VWDM3554
VM8004T	85	810	SD	56	VWDM3554T
VM8004T-5	85	810	SD	65	
VM8005	85	791	SD	65	
VM8005T	85	854	SD	64	VWDM3558T
VM8005T-5	85	854	SD	68	
VM8006T	85	1,163	SD	98	VWDM3611T
VM8007T	85	1,300	SD	110	VWDM3615T
VM8008T	85	1,677	SD	180	VWDM3710T
VM8012	84	670	SD	28	CWDM3545
VM8016	85	841	SD	61	
VM8016T	85	908	SD	61	
VM8024T	85	1,885	SD	185	WDM3714T
VM8537	84	528	SD	25	
VM8541	84	667	SD	27	
VM8550	85	793	SD	37	

(1) Shipping weight is approximate.

(2) Baldor has suggested alternate products, however there may be slight differences in performance, efficiency, voltage range, dimensions and mounting. Customers should verify suitability of selected products for their specific application.

Gearmotors and Gear Products  
 PT Components  
 Motor Accessories  
 Grinders  
 Gearmotors  
 Servo Motors and Controls  
 Mod Express  
 Baldor Education Workshop  
 Classifications and Sales Offices  
 EISA Reference Table & Index

Catalog Number	Page Number	List Price	Mult Sym	Ship Wgt <sup>(1)</sup>	Alternate Cat Number <sup>(2)</sup>
VM8559T	85	992	SD	73	
VNM3537	55	478	K	32	
VNM3538	55	391	K	22	VNM3542
VNM3541	55	511	K	38	
VNM3542	55	396	K	30	
VNM3546	55	468	K	39	
VP3311D	310	612	K	24	
VP3316D	310	646	K	28	
VP3326D	310	723	K	31	
VP3411-14	310	688	K	30	
VP3416-14	310	733	K	31	
VP3426-14	310	776	K	37	
VP3428-14	310	749	K	31	
VP3428D	310	749	K	32	
VP3436-14	310	878	K	39	
VP3436D	310	878	K	41	
VP3439-14	310	776	K	35	
VP3439D	310	776	K	37	
VP3455-14	310	1,067	K	44	
VP3455D	310	1,067	K	46	
VP3458-14	310	878	K	38	
VP3458D	310	878	K	41	
VP3468-14	310	978	L1	43	
VP3468D	310	978	L1	47	
VP3575-14	310	1,978	L1	71	
VP3575D	310	1,978	L1	68	
VP3585-14	310	2,360	L1	80	
VP3585D	310	2,360	L1	77	
VP3588-14	310	1,978	L1	70	
VP3588D	310	1,978	L1	69	
VP3603D	310	2,904	L1	124	
VP3605D	310	4,931	L1	165	
VP7424-14	310	423	DS	5	
VP7424D	310	423	DS	12	
VPCP4114T	129	8,104	SD	632	
VPCP4115T	129	8,736	SD	617	
VPCP4310T	129	9,318	SD	754	
VPCP4313T	129	11,642	SD	799	
VPCP4314T	129	9,730	SD	811	
VPCP4316T	129	11,846	SD	872	
VRBM3161T	172	2,274	L1	83	
VRBM3538	172	1,233	K	36	
VRBM3542	172	1,444	K	41	
VRBM3546	172	1,664	K	46	
VRBM3546T	172	1,780	L1	46	
VRBM3554T	172	1,811	L1	62	
VRBM3558T	172	1,860	L1	70	
VRBM3561T	172	1,916	L1	75	
VS1-COMMUSB	250262	513	EA	1	
VS1-R100W200	249	45	EA	5	
VS1-R100W400	249	132	EA	5	
VS1-R10W2400	249,262	489	EB	12	
VS1-R130W600	249	278	EA	7	
VS1-R15W1200	249,262	370	EB	10	

Catalog Number	Page Number	List Price	Mult Sym	Ship Wgt <sup>(1)</sup>	Alternate Cat Number <sup>(2)</sup>
VS1-R160W200	249	60	EA	5	
VS1-R200W200	249,249	60	EA	5	
VS1-R200W400	249,249	132	EA	5	
VS1-R20W3600	262	881	EB	15	
VS1-R20W800	249,262	306	EB	10	
VS1-R30W2400	262	489	EB	12	
VS1-R33W600	249,249	278	EA	7	
VS1-R40W2000	249,262	465	EA	18	
VS1-R50W400	249,249	132	EA	5	
VS1-R5W3600	262	881	EB	15	
VS1-R60W1200	249,262	370	EB	10	
VS1-R85W1000	249,262	346	EB	10	
VS1-R8W2400	262	489	EB	10	
VS1GV21-1B	280	1,404	EC	20	
VS1GV21-4B	282	1,504	EC	20	
VS1GV210-1B	280	3,138	EC	30	
VS1GV210-4B	282	3,452	EC		
VS1GV215-1B	280	3,836	EC	30	
VS1GV215-4B	282	4,220	EC		
VS1GV22-1B	280	1,585	EC	20	
VS1GV22-4B	282	1,713	EC	20	
VS1GV220-1B	280	4,895	EC	41	
VS1GV220-4B	282	5,385	EC		
VS1GV225-1B	280	5,745	EC	52	
VS1GV23-1B	280	1,766	EC	20	
VS1GV23-4B	282	1,996	EC	20	
VS1GV230-1B	280	7,564	EC	60	
VS1GV240-1B	280	8,723	EC	65	
VS1GV25-1B	280	2,043	EC	20	
VS1GV25-4B	282	2,309	EC	20	
VS1GV250-1B	280	11,170	EC	110	
VS1GV260-1B	280	14,303	EC	110	
VS1GV27-1B	280	2,309	EC	20	
VS1GV27-4B	282	2,869	EC	20	
VS1GV41-1B	280	1,915	EC	20	
VS1GV41-4B	282	1,995	EC	20	
VS1GV410-1B	280	3,055	EC	20	
VS1GV410-4B	282	3,511	EC	20	
VS1GV4100-1B	280	14,255	EC	110	
VS1GV41000-1	280	Call			
VS1GV4125-1B	280	15,106	EC	110	
VS1GV415-1B	280	3,277	EC	41	
VS1GV415-4B	282	4,213	EC		
VS1GV4150-1T	280	18,150	EC	250	
VS1GV42-1B	280	1,989	EC	20	
VS1GV42-4B	282	2,115	EC	20	
VS1GV420-1B	280	3,979	EC	30	
VS1GV420-4B	282	4,916	EC		
VS1GV4200-1T	280	24,200	EC	250	
VS1GV425-1B	280	4,915	EC	30	
VS1GV425-4B	282	6,202	EC		
VS1GV4250-1T	280	30,250	EC	250	
VS1GV43-1B	280	2,075	EC	20	
VS1GV43-4B	282	2,393	EC	20	

<sup>(1)</sup> Shipping weight is approximate.

<sup>(2)</sup> Baldor has suggested alternate products, however there may be slight differences in performance, efficiency, voltage range, dimensions and mounting. Customers should verify suitability of selected products for their specific application.



Catalog Number	Page Number	List Price	Mult Sym	Ship Wgt <sup>(1)</sup>	Alternate Cat Number <sup>(2)</sup>
VS1GV430-1B	280	5,851	EC	55	
VS1GV4300-1T	280	33,511	EC		
VS1GV4350-1T	280	39,096	EC		
VS1GV440-1B	280	6,787	EC	55	
VS1GV4400-1T	280	44,681	EC		
VS1GV4450-1T	280	51,382	EC		
VS1GV45-1B	280	2,340	EC	20	
VS1GV45-4B	282	2,738	EC	20	
VS1GV450-1B	280	8,426	EC	55	
VS1GV4500-1	280	60,319	EC		
VS1GV460-1B	280	10,532	EC	110	
VS1GV4600-1	280	Call			
VS1GV47-1B	280	2,690	EC	20	
VS1GV47-4B	282	3,319	EC	20	
VS1GV4700-1	280	Call			
VS1GV475-1B	280	12,340	EC	110	
VS1GV4800-1	280	Call			
VS1GV4900-1	280	Call			
VS1GV51-1B	281	2,106	EC	20	
VS1GV51-4B	282	2,194	EC	20	
VS1GV510-1B	281	3,361	EC	20	
VS1GV510-4B	282	3,862	EC	20	
VS1GV5100-1B	281	15,681	EC	130	
VS1GV5125-1B	281	16,617	EC	140	
VS1GV515-1B	281	4,213	EC	30	
VS1GV515-4B	282	4,634	EC		
VS1GV5150-1T	281	19,950	EC	250	
VS1GV52-1B	281	2,188	EC	20	
VS1GV52-4B	282	2,326	EC	20	
VS1GV520-1B	281	4,915	EC	30	
VS1GV520-4B	282	5,407	EC		
VS1GV5200-1T	281	26,600	EC	250	
VS1GV525-1B	281	6,202	EC	30	
VS1GV525-4B	282	6,822	EC		
VS1GV5250-1T	281	33,250	EC	250	
VS1GV53-1B	281	2,282	EC	20	
VS1GV53-4B	282	2,632	EC	20	
VS1GV530-1B	281	7,255	EC	60	
VS1GV5300-1T	281	36,860	EC	125	
VS1GV540-1B	281	9,128	EC	60	
VS1GV55-1B	281	2,574	EC	20	
VS1GV55-4B	282	3,012	EC	20	
VS1GV550-1B	281	10,766	EC	60	
VS1GV560-1B	281	11,585	EC	120	
VS1GV57-1B	281	2,959	EC	20	
VS1GV57-4B	282	3,651	EC	20	
VS1GV575-1B	281	13,574	EC	125	
VS1GV61-1B	280	1,545	EC	20	
VS1GV61-4B	282	1,655	EC	20	
VS1GV62-1B	280	1,744	EC	20	
VS1GV62-4B	282	1,884	EC	20	
VS1GV63-1B	280	1,943	EC	30	
VS1GV63-4B	282	2,195	EC	20	
VS1MD-CCL	250	101	EA	1	

Catalog Number	Page Number	List Price	Mult Sym	Ship Wgt <sup>(1)</sup>	Alternate Cat Number <sup>(2)</sup>
VS1MD-DINA	250	19	EA	1	
VS1MD-DINB	250	25	EA	1	
VS1MD-DINC	250	33	EA	1	
VS1MD-DNET	250	216	EA	1	
VS1MD-ENET	250	283	EA		
VS1MD-NM1A	249	40	EA	2	
VS1MD-NM1B	249	40	EA	2	
VS1MD-NM1C	249	48	EA	3	
VS1MD-NM1D	249	58	EA	3	
VS1MD-NM1E	249	64	EA	3	
VS1MD-NM1F	249	87	EA	3	
VS1MD-PBUS	250	325	EA		
VS1MD-RKEY2	250	98	EA	1	
VS1MD-RKEY3	250	107	EA	1	
VS1MD-RKEY5	250	127	EA	2	
VS1MD20P5	248	459	EA	2	
VS1MD20P5-8	248	413	EA	2	
VS1MD21	248	476	EA	2	
VS1MD21-8	248	429	EA	2	
VS1MD210	248	1,528	EA	8	
VS1MD210-8	248	1,375	EA	8	
VS1MD215	248	1,909	EA	20	
VS1MD215-8	248	1,837	EA	20	
VS1MD22	248	596	EA	3	
VS1MD22-8	248	537	EA	3	
VS1MD220	248	2,387	EA	20	
VS1MD220-8	248	2,315	EA	20	
VS1MD225	248	2,983	EA	30	
VS1MD225-8	248	2,911	EA	30	
VS1MD23	248	688	EA	4	
VS1MD23-8	248	619	EA	4	
VS1MD230	248	3,728	EA	30	
VS1MD230-8	248	3,677	EA	30	
VS1MD25	248	882	EA	4	
VS1MD25-8	248	794	EA	4	
VS1MD27	248	1,288	EA	8	
VS1MD27-8	248	1,159	EA	8	
VS1MD40P5	248	548	EA	2	
VS1MD40P5-8	248	493	EA	2	
VS1MD41	248	574	EA	2	
VS1MD41-8	248	516	EA	2	
VS1MD410	248	1,541	EA	8	
VS1MD410-8	248	1,387	EA	8	
VS1MD415	248	1,926	EA	20	
VS1MD415-8	248	1,855	EA	20	
VS1MD42	248	694	EA	3	
VS1MD42-8	248	624	EA	3	
VS1MD420	248	2,407	EA	20	
VS1MD420-8	248	2,336	EA	20	
VS1MD425	248	3,009	EA	30	
VS1MD425-8	248	2,927	EA	30	
VS1MD43	248	802	EA	4	
VS1MD43-8	248	722	EA	4	
VS1MD430	248	3,761	EA	30	

(1) Shipping weight is approximate.

(2) Baldor has suggested alternate products, however there may be slight differences in performance, efficiency, voltage range, dimensions and mounting. Customers should verify suitability of selected products for their specific application.

Gearmotors and Gear Products  
PT Components  
Motor Accessories  
Grinders  
Gearmotors  
Servo Motors and Controls  
Mod Express  
Baldor Education Workshop  
Classifications and Sales Offices  
EISA Reference Table & Index

Catalog Number	Page Number	List Price	Mult Sym	Ship Wgt <sup>(1)</sup>	Alternate Cat Number <sup>(2)</sup>
VS1MD430-8	248	3,689	EA	30	
VS1MD45	248	997	EA	4	
VS1MD45-8	248	898	EA	4	
VS1MD47	248	1,290	EA	8	
VS1MD47-8	248	1,160	EA	8	
VS1MX-ILOCK	254	34	EA	1	
VS1MX-R50W200	254	339	EA	5	
VS1MX10P5-2	252	625	EA	6	
VS1MX10P5-2D	252	687	EA	6	
VS1MX10P5-4	252	680	EA	6	
VS1MX10P5-4D	252	747	EA	6	
VS1MX11-2	252	649	EA	6	
VS1MX11-2D	252	714	EA	6	
VS1MX11-4	252	705	EA	6	
VS1MX11-4D	252	776	EA	6	
VS1MX11P5-2T	252	812	EA	10	
VS1MX11P5-2TD	252	893	EA	10	
VS1MX11P5-4T	252	883	EA	10	
VS1MX11P5-4TD	252	971	EA	10	
VS1MX20P5-2	253	557	EA	6	
VS1MX20P5-2D	253	613	EA	6	
VS1MX20P5-4	253	607	EA	6	
VS1MX20P5-4D	253	668	EA	6	
VS1MX21-2	253	578	EA	6	
VS1MX21-2D	253	636	EA	6	
VS1MX21-4	253	668	EA	6	
VS1MX21-4D	253	690	EA	6	
VS1MX22-2	253	635	EA	6	
VS1MX22-2D	253	699	EA	6	
VS1MX22-2T	253	706	EA	10	
VS1MX22-2TD	253	776	EA	10	
VS1MX22-4	253	691	EA	6	
VS1MX22-4D	253	760	EA	6	
VS1MX22-4T	253	768	EA	10	
VS1MX22-4TD	253	844	EA	10	
VS1MX23-2T	253	733	EA	10	
VS1MX23-2TD	253	806	EA	10	
VS1MX23-4T	253	797	EA	10	
VS1MX23-4TD	253	876	EA	10	
VS1MX25-4T	253	1,136	EA	10	
VS1MX25-4TD	253	1,250	EA	20	
VS1MX41-2	254	680	EA	6	
VS1MX41-2D	254	747	EA	6	
VS1MX41-4	253	739	EA	6	
VS1MX41-4D	253	813	EA	6	
VS1MX410-4T	253	1,966	EA	20	
VS1MX410-4TD	253	2,163	EA	20	
VS1MX42-2	254	821	EA	6	
VS1MX42-2D	254	904	EA	6	
VS1MX42-2T	254	912	EA	10	
VS1MX42-2TD	254	1,004	EA	10	
VS1MX42-4	253	893	EA	6	
VS1MX42-4D	253	983	EA	6	
VS1MX42-4T	253	992	EA	10	

Catalog Number	Page Number	List Price	Mult Sym	Ship Wgt <sup>(1)</sup>	Alternate Cat Number <sup>(2)</sup>
VS1MX42-4TD	253	1,092	EA	10	
VS1MX43-2T	254	950	EA	10	
VS1MX43-2TD	254	1,045	EA	10	
VS1MX43-4T	253	1,034	EA	10	
VS1MX43-4TD	253	1,136	EA	10	
VS1MX45-2T	254	1,181	EA	10	
VS1MX45-2TD	254	1,300	EA	10	
VS1MX45-4T	253	1,284	EA	10	
VS1MX45-4TD	253	1,413	EA	10	
VS1MX47-4T	253	1,658	EA	20	
VS1MX47-4TD	253	1,824	EA	20	
VS1MX80P5-2	252	543	EA	6	
VS1MX80P5-2D	252	598	EA	6	
VS1MX80P5-4	252	591	EA	6	
VS1MX80P5-4D	252	650	EA	6	
VS1MX81-2	252	565	EA	6	
VS1MX81-2D	252	621	EA	6	
VS1MX81-4	252	613	EA	6	
VS1MX81-4D	252	674	EA	6	
VS1MX82-2	252	706	EA	6	
VS1MX82-2D	252	777	EA	6	
VS1MX82-2T	252	784	EA	6	
VS1MX82-2TD	252	863	EA	10	
VS1MX82-4	252	767	EA	6	
VS1MX82-4D	252	844	EA	6	
VS1MX82-4T	252	853	EA	6	
VS1MX82-4TD	252	938	EA	10	
VS1MX83-2T	252	815	EA	10	
VS1MX83-2TD	252	896	EA	10	
VS1MX83-4T	252	886	EA	10	
VS1MX83-4TD	252	973	EA	10	
VS1MXS51-2T	257	1,016	EA		
VS1MXS51-2TD	257	1,118	EA		
VS1MXS52-2T	257	1,229	EA		
VS1MXS52-2TD	257	1,352	EA		
VS1MXS53-2T	257	1,420	EA		
VS1MXS53-2TD	257	1,563	EA		
VS1MXS55-2T	257	1,766	EA		
VS1MXS55-2TD	257	1,942	EA		
VS1MXS57-2T	257	2,280	EA		
VS1MXS57-2TD	257	2,507	EA		
VS1PF-BAC	261	462	EB	3	
VS1PF-CBL2	261	54	EB	2	
VS1PF-CBL3	261	68	EB	2	
VS1PF-CBL5	261	83	EB	2	
VS1PF-DNET	261	320	EB	3	
VS1PF-EXTIO	262	125	EB		
VS1PF-KPEXT	261	1,021	EB	4	
VS1PF-LON	261	462	EB	3	
VS1PF-MAOUT	262	206	EB	1	
VS1PF-MBTCP	261	582	EB	3	
VS1PF-MBUS	261	272	EB	3	
VS1PF-METV2	261	462	EB		
VS1PF-NM1C	261	60	EB	3	

<sup>(1)</sup> Shipping weight is approximate.

<sup>(2)</sup> Baldor has suggested alternate products, however there may be slight differences in performance, efficiency, voltage range, dimensions and mounting. Customers should verify suitability of selected products for their specific application.

Catalog Number	Page Number	List Price	Mult Sym	Ship Wgt <sup>(1)</sup>	Alternate Cat Number <sup>(2)</sup>
VS1PF-NM1D	261	68	EB	3	
VS1PF-NM1E	261	79	EB	5	
VS1PF-NM1F	261	88	EB	5	
VS1PF-NM1GH	261	119	EB	7	
VS1PF-NM1JK	261	119	EB	7	
VS1PF-NM1L	261	159	EB	10	
VS1PF-NM1M	261	159	EB	10	
VS1PF-P1B	261	857	EB	3	
VS1PF-PBUS	261	491	EB	3	
VS1PF-PET	262	550	EB		
VS1PF-RKEY	261	98	EB		
VS1PF-RKEY-M	261	98	EB		
VS1PF-RKEYN4	261	206	EB		
VS1PF-T220	262	612	EB	8	
VS1PF-T230	262	685	EB	8	
VS1PF-T250	262	1,348	EB	10	
VS1PF-T275	262	1,543	EB	10	
VS1PF-T4100	262	1,591	EB	10	
VS1PF-T420	262	612	EB	8	
VS1PF-T430	262	685	EB	8	
VS1PF-T450	262	1,348	EB	8	
VS1PF-T475	262	1,543	EB	10	
VS1PF210-1	259	1,528	EB	16	
VS1PF215-1	259	1,692	EB	16	
VS1PF220-9	259	1,964	EB	32	
VS1PF225-9	259	2,510	EB	33	
VS1PF230-9	259	3,273	EB	48	
VS1PF240-9	259	3,819	EB	48	
VS1PF27-1	259	1,310	EB	13	
VS1PF410-1	259	1,528	EB	16	
VS1PF4100-9	259	7,965	EB	99	
VS1PF4100-9L	259	8,838	EB	165	
VS1PF4125-9	259	9,819	EB	102	
VS1PF4125-9L	259	10,747	EB	165	
VS1PF415-1	259	1,637	EB	16	
VS1PF4150-9L	259	11,347	EB	165	
VS1PF420-9	259	2,030	EB	32	
VS1PF420-9L	259	2,400	EB	46	
VS1PF4200-9L	259	13,092	EB	233	
VS1PF425-9	259	2,400	EB	33	
VS1PF425-9L	259	2,837	EB	46	
VS1PF4250-9L	259	15,275	EB	265	
VS1PF430-9	259	3,164	EB	48	
VS1PF430-9L	259	3,546	EB	65	
VS1PF4300-9L	259	18,547	EB	465	
VS1PF4350-9L	259	21,821	EB	465	
VS1PF440-9	259	3,819	EB	48	
VS1PF440-9L	259	4,201	EB	65	
VS1PF4400-9L	259	30,548	EB	560	
VS1PF450-9	259	4,583	EB	64	
VS1PF450-9L	259	5,128	EB	95	
VS1PF4500-9	259	34,913	EB	870	
VS1PF460-9	259	5,892	EB	64	
VS1PF460-9L	259	6,546	EB	98	

Catalog Number	Page Number	List Price	Mult Sym	Ship Wgt <sup>(1)</sup>	Alternate Cat Number <sup>(2)</sup>
VS1PF4600-9	259	43,640	EB	870	
VS1PF47-1	259	1,255	EB	13	
VS1PF4700-9	259	52,368	EB	870	
VS1PF475-9	259	7,092	EB	70	
VS1PF475-9L	259	7,746	EB	103	
VS1PF510-1	259	1,680	EB		
VS1PF5100-9	259	8,762	EB		
VS1PF5125-9	259	10,800	EB		
VS1PF515-1	259	1,801	EB		
VS1PF5150-9L	259	12,481	EB		
VS1PF520-1	259	2,233	EB		
VS1PF525-9	259	2,640	EB		
VS1PF530-9	259	3,481	EB		
VS1PF540-9	259	4,200	EB		
VS1PF550-9	259	5,041	EB		
VS1PF560-9	259	6,482	EB		
VS1PF57-1	259	1,380	EB		
VS1PF575-9	259	7,799	EB		
VS1PFB210-1	260	4,086	E1	40	
VS1PFB215-1	260	5,207	E1	40	
VS1PFB220-1	260	5,933	E1	90	
VS1PFB225-1	260	6,928	E1	90	
VS1PFB230-1	260	8,008	E1	135	
VS1PFB240-1	260	10,259	E1	135	
VS1PFB27-1	260	3,899	E1	38	
VS1PFB410-1	260	3,975	E1	38	
VS1PFB4100-1	260	19,212	E1	200	
VS1PFB4125-1	260	20,417	E1	200	
VS1PFB415-1	260	4,753	E1	38	
VS1PFB420-1	260	5,709	E1	90	
VS1PFB425-1	260	6,522	E1	90	
VS1PFB430-1	260	7,529	E1	135	
VS1PFB440-1	260	9,542	E1	135	
VS1PFB450-1	260	11,024	E1	160	
VS1PFB460-1	260	12,060	E1	160	
VS1PFB47-1	260	3,928	E1	38	
VS1PFB475-1	260	14,613	E1	200	
VS1PM410-1B	218	3,055	EC		
VS1PM4100-1B	218	14,255	EC		
VS1PM4125-1B	218	15,106	EC		
VS1PM415-1B	218	3,830	EC		
VS1PM4150-1T	218	18,150	EC		
VS1PM420-1B	218	4,469	EC		
VS1PM4200-1T	218	24,200	EC		
VS1PM425-1B	218	5,638	EC		
VS1PM4250-1T	218	30,250	EC		
VS1PM430-1B	218	6,596	EC		
VS1PM440-1B	218	8,298	EC		
VS1PM450-1B	218	9,787	EC		
VS1PM460-1B	218	10,532	EC		
VS1PM475-1B	218	12,340	EC		
VS1SM80P5	246	328	EA	2	
VS1SM80P5-F	246	382	EA	3	
VS1SM81	246	405	EA	3	

<sup>(1)</sup> Shipping weight is approximate.

<sup>(2)</sup> Baldor has suggested alternate products, however there may be slight differences in performance, efficiency, voltage range, dimensions and mounting. Customers should verify suitability of selected products for their specific application.

Gearmotors and Gear Products  
PT Components  
Motor Accessories  
Grinders  
Gearmotors  
Servo Motors and Controls  
Mod Express  
Baldor Education Workshop  
Classifications and Sales Offices  
EISA Reference Table & Index

Catalog Number	Page Number	List Price	Mult Sym	Ship Wgt <sup>(1)</sup>	Alternate Cat Number <sup>(2)</sup>
VS1SM81-F	246	459	EA	1	
VS1SM82	246	513	EA	4	
VS1SM82-F	246	568	EA	5	
VS1SM83	246	655	EA	5	
VS1SM83-F	246	720	EA	5	
VS1SP21-1B	269	1,000	EC	20	
VS1SP21-4B	271	1,074	EC	20	
VS1SP210-1B	269	2,681	EC	30	
VS1SP210-4B	271	2,895	EC		
VS1SP215-1B	269	3,191	EC	30	
VS1SP215-4B	271	3,446	EC		
VS1SP22-1B	269	1,138	EC	20	
VS1SP22-4B	271	1,223	EC	20	
VS1SP220-1B	269	4,255	EC	30	
VS1SP220-4B	271	4,595	EC		
VS1SP225-1B	269	5,106	EC	60	
VS1SP23-1B	269	1,330	EC	20	
VS1SP23-4B	271	1,429	EC	20	
VS1SP230-1B	269	6,596	EC	60	
VS1SP240-1B	269	7,872	EC	60	
VS1SP25-1B	269	1,521	EC	20	
VS1SP25-4B	271	1,649	EC	20	
VS1SP250-1B	269	10,000	EC	110	
VS1SP260-1B	269	12,703	EC	110	
VS1SP27-1B	269	1,904	EC	20	
VS1SP27-4B	271	2,043	EC	20	
VS1SP41-1B	269	1,202	EC	20	
VS1SP41-4B	271	1,330	EC	20	
VS1SP410-1B	269	2,660	EC	20	
VS1SP410-4B	271	2,926	EC	20	
VS1SP4100-1B	269	13,404	EC	110	
VS1SP41000-1	269	Call			
VS1SP4125-1B	269	14,362	EC	110	
VS1SP415-1B	269	2,979	EC	30	
VS1SP415-4B	271	3,744	EC		
VS1SP4150-1	269	17,250	EC	250	
VS1SP42-1B	269	1,457	EC	20	
VS1SP42-4B	271	1,511	EC	20	
VS1SP420-1B	269	3,617	EC	30	
VS1SP420-4B	271	4,447	EC		
VS1SP4200-1	269	23,000	EC	250	
VS1SP425-1B	269	4,468	EC	41	
VS1SP425-4B	271	5,500	EC		
VS1SP4250-1	269	28,750	EC	250	
VS1SP43-1B	269	1,766	EC	20	
VS1SP43-4B	271	1,840	EC	20	
VS1SP430-1B	269	5,319	EC	55	
VS1SP4300-1	269	31,915	EC		
VS1SP4350-1	269	37,234	EC		
VS1SP440-1B	269	6,170	EC	51	
VS1SP4400-1	269	42,553	EC		
VS1SP4450-1	269	48,936	EC		
VS1SP45-1B	269	1,915	EC	20	
VS1SP45-4B	271	2,106	EC	20	

Catalog Number	Page Number	List Price	Mult Sym	Ship Wgt <sup>(1)</sup>	Alternate Cat Number <sup>(2)</sup>
VS1SP450-1B	269	7,660	EC	55	
VS1SP4500-1	269	57,447	EC		
VS1SP460-1B	269	9,998	EC	110	
VS1SP4600-1	269	Call			
VS1SP47-1B	269	2,426	EC	20	
VS1SP47-4B	271	2,766	EC	20	
VS1SP4700-1	269	Call			
VS1SP475-1B	269	11,596	EC	110	
VS1SP4800-1	269	Call			
VS1SP4900-1	269	Call			
VS1SP51-1B	270	1,322	EC	20	
VS1SP51-4B	271	1,463	EC	20	
VS1SP510-1B	270	2,926	EC	55	
VS1SP510-4B	271	3,218	EC	55	
VS1SP5100-1B	270	14,745	EC	130	
VS1SP5125-1B	270	15,798	EC	140	
VS1SP515-1B	270	3,745	EC	30	
VS1SP515-4B	271	4,120	EC		
VS1SP5150-1	270	18,900	EC	250	
VS1SP52-1B	270	1,603	EC	20	
VS1SP52-4B	271	1,662	EC	20	
VS1SP520-1B	270	4,447	EC	30	
VS1SP520-4B	271	4,892	EC		
VS1SP5200-1	270	25,200	EC	250	
VS1SP525-1B	270	5,500	EC	30	
VS1SP525-4B	271	6,050	EC		
VS1SP5250-1	270	31,500	EC	250	
VS1SP53-1B	270	1,943	EC	20	
VS1SP53-4B	271	2,024	EC	20	
VS1SP530-1B	270	6,670	EC	51	
VS1SP5300-1	270	35,100	EC		
VS1SP540-1B	270	8,191	EC	60	
VS1SP55-1B	270	2,106	EC	20	
VS1SP55-4B	271	2,317	EC	20	
VS1SP550-1B	270	9,830	EC	60	
VS1SP560-1B	270	11,000	EC	120	
VS1SP57-1B	270	2,668	EC	20	
VS1SP57-4B	271	3,043	EC	20	
VS1SP575-1B	270	12,755	EC	125	
VS1SP61-1B	269	1,100	EC	20	
VS1SP61-4B	271	1,182	EC	20	
VS1SP62-1B	269	1,252	EC	20	
VS1SP62-4B	271	1,346	EC	20	
VS1SP63-1B	269	1,463	EC	20	
VS1SP63-4B	271	1,568	EC	20	
VS1ST-2ROUT	242,255	148	EA	1	
VS1ST-CBLOP5	242,255	11	EA	1	
VS1ST-CBL1	242,255	11	EA	1	
VS1ST-CBL3	242,255	11	EA	1	
VS1ST-CCL	242,255	27	EA	1	
VS1ST-DNET	242,255	925	EA	3	
VS1ST-HVAC	242,255	148	EA	1	
VS1ST-J45SP	242,255	22	EA	1	
VS1ST-LOGHV-11	242,255	127	EA	1	

(1) Shipping weight is approximate.

(2) Baldor has suggested alternate products, however there may be slight differences in performance, efficiency, voltage range, dimensions and mounting. Customers should verify suitability of selected products for their specific application.

Catalog Number	Page Number	List Price	Mult Sym	Ship Wgt <sup>(1)</sup>	Alternate Cat Number <sup>(2)</sup>
VS1ST-LOGHV-23	242,255	127	EA	1	
VS1ST-PBUS	242,255	925	EA	3	
VS1ST-R100W200	242	192	EA	2	
VS1ST-RKEY3	242,255	106	EA	1	
VS1ST10P5-0	241	439	EA	3	
VS1ST11-0	241	513	EA	3	
VS1ST11P5-0T	241	630	EA	6	
VS1ST20P5-0	241	353	EA	3	
VS1ST21-0	241	383	EA	3	
VS1ST22-0	241	461	EA	3	
VS1ST22-0T	241	539	EA	6	
VS1ST23-0T	241	551	EA	6	
VS1ST25-0T	241	730	EA	7	
VS1ST41-0	241	461	EA	3	
VS1ST410-0T	241	1,226	EA	12	
VS1ST415-0T	241	1,654	EA	7	
VS1ST42-0	241	540	EA	3	
VS1ST42-0T	241	618	EA	6	
VS1ST43-0T	241	664	EA	6	
VS1ST45-0T	241	776	EA	6	
VS1ST47-0T	241	1,102	EA	7	
VS1ST80P5-0	241	353	EA	3	
VS1ST81-0	241	383	EA	3	
VS1ST82-0	241	461	EA	3	
VS1ST82-0T	241	574	EA	6	
VS1ST83-0T	241	641	EA	6	
VS1STS-CBLOP3	244,257	5	EA		
VS1STS-CBL1	244,257	7	EA		
VS1STS-CBL3	244,257	11	EA		
VS1STS-J11SP	244,257	23	EA		
VS1STS-RKEY3	244,257	90	EA		
VS1STS51-0T	244	899	EA		
VS1STS510-0T	244	2,023	EA		
VS1STS515-0T	244	2,472	EA		
VS1STS52-0T	244	1,011	EA		
VS1STS520-0T	244	3,147	EA		
VS1STS53-0T	244	1,124	EA		
VS1STS530-0T	244	4,945	EA		
VS1STS540-0T	244	5,619	EA		
VS1STS55-0T	244	1,349	EA		
VS1STS560-0T	244	6,743	EA		
VS1STS57-0T	244	1,686	EA		
VSSEWDM3537	36,98	1,185	WD	49	CSSEWDM3537
VSSEWDM3538	36,98	1,205	WD	51	CSSEWDM3538
VSSEWDM3541	36,98	1,228	WD	50	CSSEWDM3541
VSSEWDM3542	36,98	1,247	WD	54	CSSEWDM3542
VSSEWDM3543	36,98	1,501	WD	58	
VSSEWDM3545	36,98	1,291	WD	53	CSSEWDM3545
VSSEWDM3546	36,98	1,305	WD	57	CSSEWDM3546
VSSEWDM3546T	36,98	1,317	WD	57	CSSEWDM3546T
VSSEWDM3550	36,98	1,309	WD	65	CSSEWDM3550
VSSEWDM3550T	36,98	1,321	WD	63	CSSEWDM3550T
VSSEWDM3554	36,98	1,316	WD	65	CSSEWDM3554
VSSEWDM3554T	36,98	1,328	WD	61	CSSEWDM3554T

Catalog Number	Page Number	List Price	Mult Sym	Ship Wgt <sup>(1)</sup>	Alternate Cat Number <sup>(2)</sup>
VSSEWDM3555T	36,98	1,591	WD	65	CSSEWDM3555T
VSSEWDM3556	36,98	1,554	WD	66	
VSSEWDM3558	36,98	1,603	WD	70	
VSSEWDM3558T	36,98	1,614	WD	70	CSSEWDM3558T
VSSEWDM80044D-57	98,209	1,386	WD	46	
VSSEWDM80064D-57	98,209	1,435	WD	60	
VSSEWDM80084D-57	98,209	1,515	WD	60	
VSSEWDM90114C-57	98,209	1,531	WD	24	
VSSEWDM90114D-57	98,209	1,528	WD	69	
VSSEWDM90154C-57	98,209	1,860	WD	25	
VSSEWDM90154D-57	98,209	1,856	WD	73	
VSSFWM3538	95	1,219	WD	35	
VSSFWM3542	95	1,259	WD	49	
VSSFWM3546	95	1,292	WD	50	
VSSSDWM3537	96	1,140	WD	47	
VSSSDWM3538	96	1,180	WD	49	
VSSSDWM3541	96	1,166	WD	48	
VSSSDWM3542	96	1,222	WD	52	
VSSSDWM3543	96	1,425	WD	56	
VSSSDWM3545	96	1,227	WD	51	
VSSSDWM3546	96	1,225	WD	55	
VSSSDWM3546T	96	1,237	WD	55	
VSSSDWM3550	96	1,230	WD	63	
VSSSDWM3550T	96	1,242	WD	61	
VSSSDWM3554	96	1,248	WD	63	
VSSSDWM3554T	96	1,260	WD	59	
VSSSDWM3555T	96	1,512	WD	63	
VSSSDWM3556	96	1,475	WD	64	
VSSSDWM3558	96	1,507	WD	68	
VSSSDWM3558T	96	1,520	WD	68	
VSSWDM3537	95	1,071	WD	34	CSSWDM3537
VSSWDM3538	95	1,153	WD	37	CSSWDM3538
VSSWDM3541	95	1,112	WD	43	CSSWDM3541
VSSWDM3542	95	1,195	WD	44	CSSWDM3542
VSSWDM3545	95	1,219	WD	38	CSSWDM3545
VSSWDM3546	95	1,228	WD	47	CSSWDM3546
VSSWDM3550	95	1,235	WD	49	CSSWDM3550
VSSWDM3554T	95	1,355	WD	46	CSSWDM3554T
VSSWDM3555T	95	1,636	WD	57	CSSWDM3555T
VSSWDM3558T	95	1,654	WD	52	CSSWDM3558T
VSSWDM3559T	95	1,973	WD	57	CSSWDM3559T
VSSWDM3611T	95	1,876	WD	86	CSSWDM3611T
VSSWDM3613T	95	2,145	WD	92	CSSWDM3613T
VSSWDM3615T	95	2,161	WD	108	CSSWDM3615T
VSWDM3538	93	623	WD	29	CSWDM3538
VSWDM3542	93	721	WD	33	VSWDM3546
VSWDM3546	93	748	WD	38	VSWDM3554
VSWDM3546T	93	748	WD	37	CSWDM3546T
VSWDM3554	93	784	WD	47	CSWDM3554
VSWDM3554T	93	784	WD	45	CSWDM3554T
VSWDM3558T	93	963	WD	41	CSWDM3558T
VUHL3518	170	409	K	29	
VUHL3519	170	503	K	34	
VUHM3538	170	365	K	31	

(1) Shipping weight is approximate.

(2) Baldor has suggested alternate products, however there may be slight differences in performance, efficiency, voltage range, dimensions and mounting. Customers should verify suitability of selected products for their specific application.

Gearmotors and Gear Products

PT Components

Motor Accessories

Grinders

Gearmotors

Servo Motors and Controls

Mod Express

Baldor Education Workshop

Classifications and Sales Offices

EISA Reference Table & Index

Catalog Number	Page Number	List Price	Mult Sym	Ship Wgt <sup>(1)</sup>	Alternate Cat Number <sup>(2)</sup>
VUHM3538-5	170	365	K	35	
VUHM3542	170	387	K	34	
VUHM3542-5	170	387	K	4	
VUHM3546	170	414	K	36	
VUHM3546-5	170	414	K	38	
VUHM3546T	170	447	L1	35	
VUHM3546T-5	170	447	L1	38	
VUHM3554	170	451	K	40	
VUHM3554T	170	487	L1	40	
VUHM3554T-5	170	487	L1	42	
VUHM3558	171	485	K	42	
VUHM3558T	171	524	L1	43	
VUHM3558T-5	171	524	L1	46	
VUHM3611T	171	634	L1	63	
VUHM3615T	171	724	L1	94	
VWAM3538	87	623	SD	38	
VWAM3542	87	721	SD	37	
VWAM3546	87	748	SD	45	
VWAM3546T	87	748	SD	43	
VWAM3554	87	784	SD	47	
VWAM3554T	87	784	SD	48	
VWAM3558	87	965	SD	48	
VWAM3558T	87	1,042	SD	48	
VWAM3611T	87	1,261	SD	62	
VWAM3615T	87	1,470	SD	90	
VWAM3710T	87	1,797	SD	134	
VWAM3714T	87	2,049	SD	144	
VWDL3504	88	523	WD	35	CWDL3504
VWDL3507	88	615	WD	35	CWDL3507
VWDL3510	88	704	WD	39	CWDL3510
VWDL3514	88	845	WD	46	CWDL3514
VWDM3538	90	572	WD	31	CWDM3538
VWDM3538-5	90,193	572	WD	31	
VWDM3542	90	621	WD	31	CWDM3542
VWDM3542-5	90,193	621	WD	34	
VWDM3546	90	665	WD	39	VWDM3554
VWDM3546-5	90,193	665	WD	38	
VWDM3546T	90	684	WD	38	CWDM3546T
VWDM3554	90	701	WD	42	VWDM3558
VWDM3554T	90	718	WD	42	CWDM3554T
VWDM3554T-5	90,193	718	WD	48	
VWDM3558	90	744	WD	41	CWDM3558
VWDM3558T	90	816	WD	42	CWDM3558T
VWDM3558T-5	90,193	816	WD	46	
VWDM3559	90	955	WD	48	
VWDM3561T	90	1,331	WD	60	
VWDM3611T	90	1,073	WD	54	CWDM3611T
VWDM3615T	90	1,340	WD	75	CWDM3615T
VWDM3710T	90	1,531	WD	113	CWDM3710T
VWDM3714T	90	1,746	WD	124	CWDM3714T
W64	467	43	A8	1	
W70	467	51	A8	1	
W82	467	57	A8	1	
WCL1406T	121	876	L1	78	

Catalog Number	Page Number	List Price	Mult Sym	Ship Wgt <sup>(1)</sup>	Alternate Cat Number <sup>(2)</sup>
WCL1408T	121	1,005	L1	88	
WCL1409T	121	1,240	L1	92	
WCL1508T	121	1,428	L1	122	
WCL1509T	121	1,775	L1	117	
WCL1511T	121	2,188	L1	139	
WCM3212T	125	721	L1	71	
WCM3219T	125	877	L1	81	
WCM3312T	125	1,195	L1	97	WCM3709T
WCM3314T	126	1,613	L1	115	
WCM3709T	122	1,211	L1	108	
WCM3710T	122	1,087	L1	123	
WCM3711T	122	1,449	L1	129	WCM3713T
WCM3713T	123	1,728	L1	160	
WCM3714T	122	1,342	L1	137	
WDB13H71	393	76	A8	3	
WDB15H71	393	76	A8	4	
WDB18H71	393	94	A8	6	
WDB21H71	393	99	A8	6	
WDB24H71	393	107	A8	8	
WDB26H71	393	121	A8	9	
WDB30H71	393	134	A8	6	
WDB32H71	393	158	A8	13	
WDGF0518AG	379	642	GB	30	SSGF0518AG
WDGF1013AG	379	597	GB	20	
WDGF1015AG	379	631	GB	25	SSGF1018AG
WDGF1015BG	379	631	GB	25	
WDGF1018AG	379	642	GB	30	SSGF1018AG
WDGF1021AG	379	791	GB	35	
WDGF1024BG	379	926	GB	40	SSGF1026BG
WDGF1513AG	379	597	GB	20	
WDGF1515AG	379	631	GB	25	SSGF1518AG
WDGF1518AG	379	642	GB	30	SSGF1518AG
WDGF1521AG	379	791	GB	35	SSGF1521AG
WDGF1524AG	379	926	GB	40	
WDGF2013AG	379	597	GB	20	
WDGF2015AG	379	631	GB	25	SSGF2018AG
WDGF2018AG	379	642	GB	30	SSGF2018AG
WDGF2026BG	379	1,058	GB	55	SSGF2526BG
WDGF3018AG	379	642	GB	30	SSGF3018AG
WDGF3021AG	379	791	GB	35	SSGF3021AG
WDGF3024AG	379	926	GB	40	
WDGF3026AG	379	1,058	GB	55	
WDGF3032BG	379	1,553	GB	87	
WDGF4015AG	379	631	GB	25	SSGF4018AG
WDGF4018AG	379	642	GB	30	SSGF4018AG
WDGF4021AG	379	791	GB	35	SSGF4021AG
WDGF4024AG	379	926	GB	40	
WDGF4026AG	379	1,058	GB	55	
WDGF4032BG	379	1,553	GB	87	
WDGF5013AG	379	597	GB	20	
WDGF5015AG	379	631	GB	25	SSGF5018AG
WDGF5021AG	379	791	GB	35	SSGF5021AG
WDGF5024AG	379	926	GB	40	
WDGF5026AG	379	1,058	GB	55	SSGF5026AG

<sup>(1)</sup> Shipping weight is approximate.

<sup>(2)</sup> Baldor has suggested alternate products, however there may be slight differences in performance, efficiency, voltage range, dimensions and mounting. Customers should verify suitability of selected products for their specific application.



Catalog Number	Page Number	List Price	Mult Sym	Ship Wgt <sup>(1)</sup>	Alternate Cat Number <sup>(2)</sup>
WDGF5032BG	379	1,553	GB	93	
WDGF6015AG	379	631	GB	25	
WDGF6018AG	379	642	GB	30	SSGF6018AG
WDGF6021AG	379	791	GB	35	SSGF6021AG
WDGF6024AG	379	926	GB	40	SSGF6026AG
WDGF6026AG	379	1,058	GB	55	SSGF6026AG
WDGF6032AG	379	1,553	GB	87	
WDM3538	88	547	WD	30	WDM3542
WDM3542	88	585	WD	32	CWDM3542
WDM3546T	88	613	WD	39	EWDM3546T
WDM3554T	88	670	WD	41	EWDM3554T
WDM3558T	88	744	WD	44	EWDM3558T
WDM3558TP-9	91	911	WD	39	
WDM3561TP-9	91	1,149	WD	63	
WDM3611T	88	983	WD	68	EWDM3611T
WDM3615T	88	1,123	WD	78	EWDM3615T
WDM3710T	88	1,402	WD	127	EWDM3710T
WDM3714T	88	1,492	WD	129	EWDM3714T
WWL3509	163	437	K	33	
WWL3515T	163	713	L1	53	
WWL3606	163	911	L1	71	
YPC144A	136	213	C1	15	
YPC1624A	136	255	C1	22	
YPC164A	136	235	C1	16	
YPC244A	136	224	C1	21	
YPC245A	136	228	C1	16	
YPC264A	136	254	C1	19	
YPC265A	136	256	C1	22	
YPC344A	136	261	C1	20	
YPC345A	136	266	C1	20	
YPC3625A	136	366	C1	31	
YPC364A	136	296	C1	25	
ZD18H4300-E0	297	64,891	E1	910	
ZD18H4350-E0	297	75,461	E1	937	
ZD18H4400-E0	297	83,488	E1	872	
ZD18H4450-E0	297	98,472	E1	880	
ZD22H210-EL	299	10,488	E1	169	ZD22H215-EL
ZD22H215-EL	299	11,655	E1	175	ZD22H220-EL
ZD22H220-EL	299	13,645	E1	191	ZD22H225-EL
ZD22H225-EL	299	15,939	E1	175	ZD22H230-EL
ZD22H230-EL	299	17,333	E1	228	ZD22H240-EL
ZD22H240-EL	299	21,583	E1	175	ZD22H250-EL
ZD22H250-EL	299	26,493	E1	263	
ZD22H410-EL	299	10,920	E1	145	ZD22H415-EL
ZD22H415-EL	299	11,877	E1	175	ZD22H420-EL
ZD22H420-EL	299	13,831	E1	185	ZD22H425-EL
ZD22H425-EL	299	15,585	E1	160	ZD22H430-EL
ZD22H430-EL	299	17,593	E1	203	ZD22H440-EL
ZD22H440-EL	299	21,701	E1	254	ZD22H450-EL
ZD22H450-EL	299	26,186	E1	265	
ZDBRPM18154C	221	5,774	E2	218	
ZDBRPM18204C	221	6,181	E2	275	
ZDBRPM21304C	221	6,901	E2	375	
ZDBRPM21404	221	7,267	E2	425	

Catalog Number	Page Number	List Price	Mult Sym	Ship Wgt <sup>(1)</sup>	Alternate Cat Number <sup>(2)</sup>
ZDBRPM25504	221	7,919	E2	560	
ZDBRPM25604	221	10,919	E2	615	
ZDBRPM25754	221	12,726	E2	612	
ZDBRPM281004R1	221	14,189	E2	805	
ZDBRPM281254	221	14,922	E2	985	
ZDBRPM321254	221	20,252	E2	1,170	
ZDBRPM321504	221	26,550	E2	1,310	
ZDBRPM362004	221	29,199	E2	1,830	
ZDBRPM402004	221	31,375	E2	2,030	
ZDFRPM18104C	221	5,645	E2	200	
ZDFRPM21204C	221	6,901	E2	318	
ZDFRPM21254C	221	6,976	E2	415	
ZDFRPM25304C	221	7,249	E2	542	
ZDFRPM25404	221	7,558	E2	675	
ZDM2276T	233	6,154	E2	282	
ZDM2332T	233	7,213	E2	324	
ZDM2333T	233	4,657	E2	301	
ZDM2333T-5	233	4,657	E2	310	
ZDM2334T	233	4,882	E2	326	
ZDM2334T-5	233	4,882	E2	286	
ZDM3581T	233	2,902	E2	65	
ZDM3581T-5	233	2,902	E2	64	
ZDM3582T	233	3,169	E2	66	
ZDM3584T	233	2,991	E2	63	ZDM3587T
ZDM3584T-5	233	2,991	E2	68	
ZDM3587T	233	3,101	E2	75	
ZDM3587T-5	233	3,101	E2	69	
ZDM3661T	233	3,584	E2	106	
ZDM3661T-5	233	3,584	E2	105	
ZDM3664T	233	3,450	E2	118	
ZDM3665T	233	3,711	E2	121	
ZDM3665T-5	233	3,711	E2	123	
ZDM3667T	233	3,394	E2	110	
ZDM3764T	233	4,088	E2	174	
ZDM3768T	233	4,698	E2	200	
ZDM3770T	233	4,192	E2	177	
ZDM3770T-5	233	4,192	E2	169	
ZDM3774T	233	4,393	E2	196	
ZDM3774T-5	233	4,393	E2	196	
ZDM4100T	233	8,296	E2	426	
ZDM4102T	233	9,171	E2	476	
ZDM4103T	233	5,697	E2	424	
ZDM4104T	233	6,336	E2	452	
ZDM4110T	233	8,082	E2	606	
ZDM4111T	233	10,260	E2	566	
ZDM4115T	233	8,905	E2	679	
ZDM4117T	233	11,263	E2	594	
ZDM4406T-4	233	24,658	E2	1,798	
ZDNM2237T	233	4,080	E2	250	
ZDNM2238T	233	4,206	E2	289	
ZDNM2333T	233	4,290	E2	286	
ZDNM2334T	233	5,404	E2	420	
ZDNM3581T	233	2,532	E2	56	
ZDNM3584T	233	2,650	E2	58	

(1) Shipping weight is approximate.

(2) Baldor has suggested alternate products, however there may be slight differences in performance, efficiency, voltage range, dimensions and mounting. Customers should verify suitability of selected products for their specific application.

Gearmotors and Gear Products

PT Components

Motor Accessories

Grinders

Gearmotors

Servo Motors and Controls

Mod Express

Baldor Education Workshop

Classifications and Sales Offices

EISA Reference Table & Index

Catalog Number	Page Number	List Price	Mult Sym	Ship Wgt <sup>(1)</sup>	Alternate Cat Number <sup>(2)</sup>
ZDNM3661T	233	3,124	E2	108	
ZDNM3669T	233	2,923	E2	94	
ZDNM3767T	233	3,548	E2	167	
ZDNRPM18054C	221	5,019	E2	165	
ZDNRPM18074C	221	5,503	E2	220	
ZDNRPM21104C	221	6,187	E2	305	
ZDPM18010C-BV	216	5,395	E2	185	
ZDPM18015C-BV	216	5,452	E2	143	
ZDPM18020C-BV	216	5,859	E2	180	
ZDPM18025C-BV	216	6,580	E2	209	
ZDPM18030C-BV	216	6,580	E2	209	
ZDPM21040-BV	216	6,880	E2	290	
ZDPM21050-BV	216	7,117	E2	330	
ZDPM21060-BV	216	7,768	E2	355	
ZDPM25075-BV	216	12,575	E2	540	
ZDPM25100-BV	216	13,306	E2	605	
ZDPM28125-BV	216	14,038	E2	730	
ZDPM28150-BV	216	14,771	E2	805	
ZDVSCP2333T	228	5,662	E2	356	
ZDVSCP2334T	228	6,013	E2	364	
ZDVSCP3661T	228	3,440	E2	131	
ZDVSCP3665T	228	3,733	E2	154	
ZDVSCP3770T	228	4,325	E2	198	
ZDVSCP3774T	228	4,733	E2	216	
ZDVSCP4103T	228	7,192	E2	469	
ZDVSCP4104T	228	7,724	E2	479	
ZDVSCP4110T	228	8,859	E2	737	
ZDVSCP4115T	228	10,468	E2	746	
ZDVSM2333T	227	4,955	E2	328	
ZDVSM2334T	227	5,237	E2	346	
ZDVSM3661T	227	3,093	E2	125	
ZDVSM3665T	227	3,327	E2	152	
ZDVSM3770T	227	3,817	E2	184	
ZDVSM3774T	227	4,486	E2	204	
ZDVSM4103T	227	6,213	E2	445	
ZDVSM4104T	227	6,638	E2	450	
ZDVSM4110T	227	7,410	E2	696	
ZDVSM4115T	227	8,697	E2	693	
ZDVSM4314T	227	10,388	E2	884	
ZDVSM4316T	227	12,602	E2	944	
ZDVSM4400T-4	227	15,815	E2	1,247	
ZDVSM4406T-4	227	22,649	E2	1,892	
ZDVSM4407T-4	227	26,538	E2	2,275	
ZDVSM4408T-4	227	36,840	E2	2,650	
ZDVSM4410T-4	227	19,240	E2	1,744	
ZDVSM44304T-4	227	36,840	E2	2,820	
ZDVSNCP3581T	228	2,659	E2	62	
ZDVSNCP3584T	228	2,777	E2	64	
ZDVSNCP3587T	228	3,050	E2	71	
ZDVSNM2237T	227	3,879	E2	211	
ZDVSNM2238T	227	4,721	E2	359	
ZDVSNM2333T	227	5,351	E2	378	
ZDVSNM3538	227	1,883	E2	37	
ZDVSNM3542	227	1,940	E2	40	

Catalog Number	Page Number	List Price	Mult Sym	Ship Wgt <sup>(1)</sup>	Alternate Cat Number <sup>(2)</sup>
ZDVSNM3581T	227	2,532	E2	65	
ZDVSNM3584T	227	2,650	E2	67	
ZDVSNM3587T	227	2,923	E2	69	
ZDVSNM3661T	227	3,135	E2	139	
ZDVSNM3665T	227	3,375	E2	151	
ZDWNM22937T	100,234	4,543	E2	240	
ZDWNM22938T	100,234	5,085	E2	292	
ZDWNM3546T	100,234	2,739	E2	42	
ZDWNM3554T	100,234	2,878	E2	56	
ZDWNM3609T	100,234	3,031	E2	71	
ZDWNM3611T	100,234	3,182	E2	79	
ZDWNM3707T	100,234	3,419	E2	125	

<sup>(1)</sup> Shipping weight is approximate.

<sup>(2)</sup> Baldor has suggested alternate products, however there may be slight differences in performance, efficiency, voltage range, dimensions and mounting. Customers should verify suitability of selected products for their specific application.

## EISA STATUS NOTES:

---

The Energy Independence and Security Act of 2007, or EISA, goes into effect on December 19, 2010. In order to help our customers better understand how this legislation affects the motors they are buying, all motors in the catalog have been assigned one of the following EISA notes. This catalog also includes a wide variety of stock 575 Volt motors for use in Canada. These motors meet NRC Canadian Standards for Efficiency.

- A. Motor complies with the Energy Independence & Security Act of 2007. This motor meets or exceeds NEMA table 12-12 for Premium Efficient Motors.
- B. Motor complies with the Energy Independence & Security Act of 2007. This motor meets or exceeds NEMA table 12-11 for Energy Efficient Motors.
- C. Motor is EXEMPT from the Energy Independence & Security Act of 2007.
- D. Motor can no longer be produced as of December 19, 2010. The Energy Independence and Security Act of 2007 allows for existing inventory of this motor built prior to December 19, 2010 to be sold until inventory is depleted.

## SUPER-E GREEN COLOR DEFINITION:

---

Green Catalog numbers represent motors that have Baldor Super-E Premium Efficient electrical designs. These motors meet or exceed NEMA Premium efficiencies where defined by NEMA in table 12-12.

## 501 CATALOG NOTES:

---

- Most steel band and cast iron foot-mounted motors have dual mounting holes (143T-145T, 182T-184T, etc.).
- All Cast iron motors are built with symmetrical frames which may be converted from F1 to F2 by switching endplates and rotor from end-to-end except for L182T, L184T, L213T, L215T and L449T. Frames with the "L" prefix have standard NEMA base and BA dimensions. Also applies to TC versions of these frame sizes.
- ECP, ECP841 and ECP661 motors are now painted "Reliance" green with epoxy paint.

**Authorized Service Centers and Service Policy** — Refer to Baldor's website ([www.baldor.com](http://www.baldor.com)) for a complete listing of service centers and our service/repair policy.

**Dimensions** — Refer to Baldor's website: ([www.baldor.com](http://www.baldor.com)) for dimensions for all stock AC and DC motor ratings.

**Efficiencies** — All efficiencies listed are nominal efficiencies at full load.

**Full Load Amps (FLA)** — For low voltage amps, double high voltage amps shown.

**Modified Motors** — Details of Baldor's Mod Express Program are listed in this catalog. Using stock motors, Baldor can modify motors to fit a variety of applications in only 2 to 5 working days for most modifications.

**Performance and connection diagrams** — Baldor's website ([www.baldor.com](http://www.baldor.com)) lists performance test data and connection diagrams for all stock AC and DC motor ratings.

**Renewal Parts and Installation/Maintenance Data** — A parts list for each motor is shown online at [www.baldor.com](http://www.baldor.com). Data Section 506 contains a wide variety of the most commonly required service parts. AC (MN400) and DC (MN605) motor installation and operation guides are also available.

**SCR Drive Motors** — Field Amps listed are for High Voltage Connections with motor at operating temperature.

**Service Factor** — NEMA T-frames in TEFC construction have a service factor of 1.15 or greater except where noted. All NEMA U- frame TEFC motors (except explosion-proof) have NEMA open service factors. Fractional horsepower TEFC motors have NEMA open service factors. All DC motors have 1.0 service factors.

**Freight Policy** — Shipments of stock products shown in this catalog are made with the selling terms of F.O.B. factory or warehouse. International Shipments - Ex Works, Non-stock items - FOB Factory. Baldor will prepay and absorb freight charges, on a carrier chosen by Baldor, to the first destination in the continental United States on shipments of 1500 pounds (1000 pounds on portable generators) or more.

Contact your local Baldor•Reliance District office for clarification, assistance or additional information on any Baldor•Reliance product. A listing of the offices is on page 518.

**CATALOG NOTES:**

- 1 Class F Insulated Motor with 1.15 Service Factor or higher that operates within Class "B" temperature limits at rated horsepower.
- 2 1.00 Service Factor.
- 3 Capacitor start, induction run.
- 4 Wye-start, delta-run.
- 5 Belted duty only, roller bearing.
- 6 F-2 Mounting
- 7 Companion voltages not available.
- 8 Class "H" Insulated.
- 9 Motors are not NAFTA qualified.
- 10 These motors meet the hardware requirements of IEEE 45/ABS and are not provided with Marine Plan Documentation.
- 11 F-3 Mounting
- 13 Furnished without conduit box. Order kit P/N K56G3230.
- 14 Type CH (Capacitor Start - Capacitor Run).
- 15 Motors rated 208-230/460 are operable to minimum 200 volts.
- 16 IEEE 841 motors are labeled suitable for Div. 2/Zone 2 with a T3 Temperature Code. T-Code based on Sine Wave operation. For Sine wave motor designs requiring other T-Codes or for T-Code information of motors operating on Adjustable Speed Drives - Contact your Baldor•Reliance Sales Representative.
- 17 Capable of 100% thrust in either direction.
- 18 Capable of 100% thrust stated in downward direction (out of motor) and 40% upward thrust (into motor).
- 19 60/50 Hertz motor. 60 Hertz data shown, contact your local Baldor•Reliance office for 50 Hertz data.
- 20 Class F Insulation.
- 21 Double bolt.
- 22 Base used for NEMA & above NEMA frames, 445T.
- 23 Two piece slide rails.
- 24 DOL or Part Winding Start.
- 25 DOL or Wye Start, Delta Run
- 26 Non-standard "BA" due to drive end bearing cooling fan. Please refer to layout drawing.
- 27 Motors have ball bearing suitable for coupled loads. If load is belted, a roller bearing may be required, contact your local Baldor•Reliance office.
- 28 Usable at 200 volts.
- 29 V-dimension is 2.5".
- 30 Usable at 208 volts.
- 31 Suitable for 230/460, 60 Hz and 190-220/380-440 volts, 50 Hz.
- 32 Stearns brake.
- 33 Voltage at 60Hz.
- 34 Conduit Box Location is at 12 O'clock and can be rotated.
- 35 Design A, also meets Design E inrush limits.
- 36 Can mount as 56, 143T & 145T frames with NEMA 56 shaft dimensions.
- 37 Can mount as 56, 143T & 145T frames with NEMA 143T-145T shaft dimensions.
- 38 Can mount as NEMA 56, 143T and 145T frames with NEMA 56 frame shaft dimensions.
- 39 Class F Rise
- 40 Brake motors may be mounted for vertical mounting with brake below motor.
- 41 Brake motors may be mounted for vertical mounting with brake above or below motor.
- 42 DODGE Short Series Brake.
- 43 Cannot be mounted vertically.
- 44 Shown as WPI enclosure.
- 45 Horizontal mount, no C-Face. May be converted to C-Face in Mod Express or built as custom motors.
- 46 Includes 1024 ppr encoder.
- 47 BA dimension does not meet NEMA standards.
- 48 Includes phase insulation. Suitable for inverter duty.
- 49 Includes vertical lifting provision.

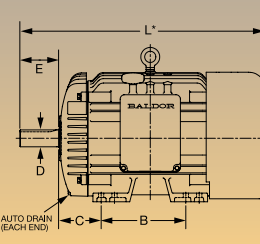
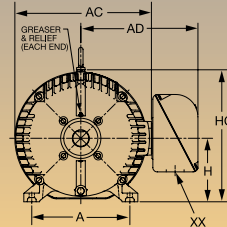
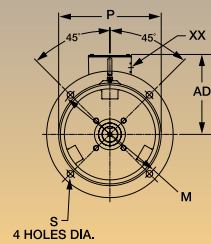
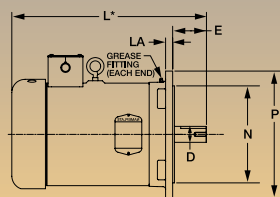
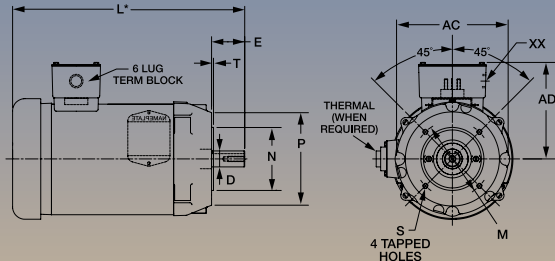
- 50 Voltage @ 50 Hz, usable on 460 Volt 60 H
- 51 Full Load Amps @ 400 Volt nominal - 50 Hz.
- 52 IP55 Enclosure.
- 53 Voltage at 50Hz.
- 54 Motors have NEMA standard BA dimensions.
- 55 Constant velocity fan: 115 volts, single phase.
- 57 Can mount as NEMA 145T frame with 145T frame shaft dimensions.
- 58 Can mount as NEMA 56, 143T and 145T frames with NEMA 143T-145T frame shaft dimensions.
- 59 Suitable for operation @ 415V, 50 Hz.
- 60 Totally-Enclosed, Non-Ventilated, Continuous Duty.
- 61 Copper bar rotor standard.
- 63 Foot also drilled for 447T frame mounting.
- 64 Motors include 100 ohm platinum winding RTDs and space heaters.
- 65 Capacitor start, capacitor run (two value capacitor).
- 66 Resilient mount single phase motors with moderate starting torque for fan applications.
- 67 NEMA 48 Base Mount, not swivel mount.
- 68 3 lead.
- 69 6 lead suitable for part winding start on 200 volts.
- 70 Constant velocity fan: 230/460 volts, three phase.
- 71 Nominal efficiency is based at the 1800 RPM (High RPM) and low speed efficiency is available just not published.
- 73 SCR Motors with a 3:1 constant torque speed range.
- 74 V-dimension is 3".
- 76 Flexible waterproof cover protects thermal overload reset button.
- 77 Inverter Duty.
- 78 Furnished without conduit box. Order Kit BKP2400.
- 80 Design criteria similar to motors in Commercial Duty Motors section.
- 81 230/460 volt motor connected for voltage shown. Can be reconnected for other voltage.
- 82 Single voltage motor. Cannot reconnect.
- 84 Does not meet NEMA BA for C-face footed motors
- 85 Can only be used on motors 1800 RPM and slower with ball bearings
- 86 Cannot be operated at full nameplate rating on 50 Hz rectified power supply
- 87 Tach adaptable with Thermostat
- 88 Sleeve bearings - coupled loads only.
- 89 Cooling fan on each end.
- 90 Foot mounted and 180TC face.
- 91 Foot mounted and 210TC face.
- 92 Foot mounted and 250TC face.
- 93 Foot mounted only.
- 94 Foot mounted only. These stock models include VPI insulation on L440 only, insulated ODE bearing, shaft ground brush, and stator RTD's.
- 95 Foot mounted only. Includes filter, VPI, insulated ODE bearing and two sets of thermostats.
- 97 One size smaller flange and shaft.
- 106 Finned aluminum frame construction.

**EXPLOSION-PROOF MOTOR SYMBOLS:**

- ① Class I, Group D, T2C.
- ② Class I, Group C & D, Class II, Group F & G, T4.
- ③ Class I, Group D, Class II Group E, F & G, T3C
- ④ Class I, Group C & D, Class II, Group F & G, T3C
- ⑤ Class I, Group C & D, T3C.
- ⑥ Class I, Group D, T2A.
- ⑦ Class I, Group D, Class II, Group F & G, T4.
- ⑧ Class I, Group D, Class II, Group F & G, T3C.
- ⑨ Class I, Group D, T2B
- ⑩ Class I, Group D, Class II, Group F & G, T3B.

# BALDOR®

**Leader in Energy Efficient Industrial Electric Motors and Drives**



Key and Keyseat Dimensions									
Frame	D	G	F	GD	Frame	D	G	F	GD
63	11	8.5	4	4	180	48	42.5	14	9
71	14	11	5	5	200	55	49	16	10
80	19	15.5	6	6	225	60	53	18	11
90	24	20	8	7	250	65	67.5	20	12
100	28	24	8	7	280	75	71	22	14
112	28	24	8	7	315	80	76	22	14
132	38	33	10	8	355	85	76	22	14
160	42	37	12	8					

Drawings represent standard TEFC general purpose motors.

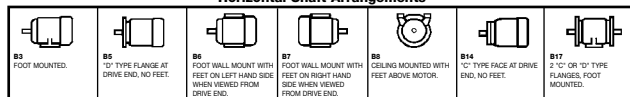
\*Dimensions are for reference only.

\*Contact your local Baldor office for "L" Dimensions.

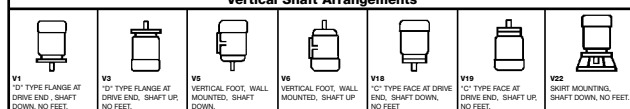
## IEC QUICK REFERENCE CHART

IEC Frame	Type	Foot Mounting				Shaft		B5 Flange					B14 Face				General						
		A	B	C	H	D	E	LA	M	N	P	S	T	M	N	P	S	T	L	AC	AD	HC	XX
63	300	100	80	40	63	.433	.306	.313	115	95	140	9	3	75	60	90	M5	2.5	.098	.119	102	121	13
		3.937	3.150	1.570	2.480			4.528	3.740	5.512	.354	.118	2.933	2.362	3.540	4.690	4	4.760	4.567d	5.375d	22d	.500	
71	300 400	112	90	45	71	.551	1.181	.313	130	110	160	10	3.5	85	70	105	M6	2.5	.098	119	102	131	18
		4.409	3.543	1.770	2.800			5.118	4.331	6.299	.393	.138	3.347	2.756	4.130	4.690	4	5.140	4.949d	5.850d	21d	.690	
80	400 500	125	100	50	80	.748	1.575	.500	165	130	200	11	3.5	100	80	120	M6	3	.118	145	116	152	22
		4.921	3.937	1.969	3.150			6.496	5.118	7.874	.430	.138	3.937	3.150	4.724	5.690	4	6.160	6.814d	8.120	22d	.880	
90	S L	140	100	56	90	.945	1.969	.500	165	130	200	12	3.5	115	95	140	M8	3	.118	168	116	173	22
		5.511	4.921	2.205	3.543			6.496	5.118	7.874	.472	.138	4.530	3.740	5.512	6.614	4	7.906	7.531d	8.531d	21d	.844d	
100	S L	160	114	63	100	1.102	2.362	.562	215	180	250	14	4	130	110	160	M8	3.5	.138	200	149	180	27
		6.300	5.512	2.480	3.937			8.465	7.087	9.840	.560	.160	5.108	4.331	6.299	7.875	4	9.440	9.440d	10.660d	21d	1.062	
112	S M	190	140	70	112	1.102	2.362	.562	215	180	250	14	4	130	110	160	M8	3.5	.138	243	175	214	27
		7.480	6.300	2.760	4.409			8.465	7.087	9.840	.560	.160	5.108	4.331	6.299	7.875	4	9.440	9.440d	10.660d	21d	1.062	
132	S M	216	140	89	132	1.496	3.150	.562	265	230	300	14	4	165	130	200	M8	3.5	.138	243	187	256	27
		8.504	7.008	3.504	5.197			10.433	9.055	11.811	.560	.160	6.496	5.118	7.874	9.562	4	10.662	10.662d	12.062d	21d	1.062	
160	M L	254	210	108	160	1.654	4.331	.767	300	250	350	19	5	215	180	250	M12	4	.160	329	242	329	35
		10	10.984	4.252	6.299			11.811	9.842	13.780	.748	.200	8.465	7.087	9.840	12.940	4	13.375	13.375d	15.375d	21d	1.375	
180	M L	279	241	121	180	1.890	4.331	.787	300	250	350	19	5	215	180	250				395	333	372	51
		10.984	10.984	4.764	7.087			11.811	9.842	13.780	.748	.200	8.465	7.087	9.840	15.560	4	16.460	16.460d	18.460d	21d	2.008	
200	M L	318	267	133	200	2.165	4.331	1.062	350	300	400	19	5	240	200	300				441	359	416	63
		12.520	12.008	5.236	7.874			13.780	11.811	15.748	.748	.200	9.840	8.465	10.660	17.375	4	16.375	16.375d	18.375d	21d	2.500	
225	S M	356	286	149	225	2.362	5.512	.748	400	350	450	19	6	236	200	300				495	383	483	63
		14.016	14.016	5.866	8.658			15.748	13.780	17.716	.748	.236	10.660	9.840	11.811	19.468	4	18.016	18.016d	20.016d	21d	2.500	
250	S M	406	311	168	250	2.756	5.512		400	350	450	19	6	236	200	300				520	457	513	63
		15.984	15.984	6.614	8.843			17.716	15.748	17.716	.748	.236	11.811	10.660	12.520	20.472	4	20.197	20.197d	22.197d	21d	2.500	
280	S M	457	368	190	280	3.150	6.693		457	400	500	19	6	236	200	300				616	497	581	63
		17.992	17.992	7.485	11.025			17.992	15.984	17.992	.748	.236	13.780	12.520	14.520	24.252	4	22.874	22.874d	24.874d	21d	2.500	
315	S M	508	406	216	315	3.546	6.693		508	450	550	19	6	236	200	300				759	683	882	102
		20	20	8.500	12.400			19.468	17.416	19.468	.748	.236	15.748	14.520	16.520	29.900	4	26.840	26.840d	28.840d	21d	4	
355	S L	610	500	254	355	3.346	6.693		610	550	650	19	6	236	200	300				759	683	882	102
		24	24	10	13.980			24.800	22.756	24.800	.748	.236	17.716	16.520	18.520	29.900	4	26.320	26.320d	28.320d	21d	4	

### Horizontal Shaft Arrangements



### Vertical Shaft Arrangements



## LEGEND

Metric (MM) Dimensions in Black

Inch Dimensions in Red

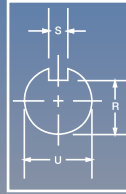
d = DC Motors

1 mm = .03937" 1" = 25.40 mm

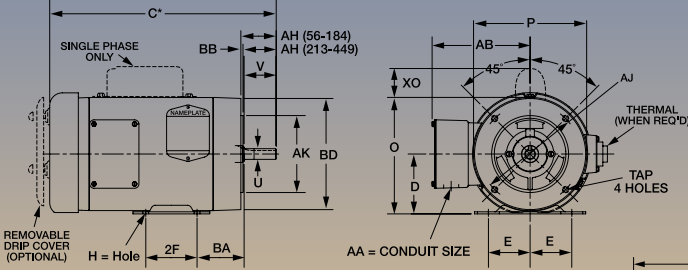
**BALDOR ELECTRIC COMPANY**  
P.O. BOX 2400  
FORT SMITH, ARKANSAS  
72902-2400 U.S.A.

# BALDOR

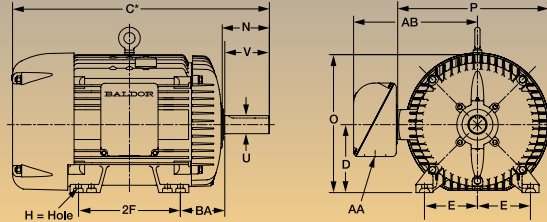
**Leader in Energy Efficient Industrial Electric Motors and Drives**



NEMA Shaft (U)	Keyseat Dimensions (S)		NEMA Shaft (U)	Keyseat Dimensions (R)	
	(R)	(S)		(R)	(S)
3/8	21/64	FLAT	1-7/8	1-19/32	1/2
1/2	29/64	FLAT	2-1/8	1-27/32	1/2
5/8	33/64	3/16	2-3/8	2-1/64	5/8
7/8	49/64	3/16	2-1/2	2-3/16	5/8
1-1/8	63/64	1/4	2-7/8	2-29/64	3/4
1-3/8	1-13/64	5/16	3-3/8	2-7/8	7/8
1-5/8	1-13/32	3/8	3-7/8	3-5/16	1



Drawings represent standard TEFC general purpose motors  
 Refer Data Section 502 for various models, OPEN or TEFC  
 \*Dimensions are for reference only.



\*Contact your local Baldor office for "C" Dimensions.

Dimensions - N, O, P, AB and XO are specific to Baldor.

## NEMA QUICK REFERENCE CHART

NEMA FRAME	D	E	2F	H	N	O	P	U	V	AA	AB	AH	AJ	AK	BA	BB	BD	XO	TAP
42	2-5/8	1-3/4	1-11/16	9/32 SLOT	1-1/2	5	4-11/16	3/8	1-1/8	3/8	4-1/32	1-5/16	3-3/4	3	2-1/16	1/8	4-5/8	1-9/16	1/4-20
48	3	2-1/8	2-3/4	11/32 SLOT	1-7/8	5-7/8	5-11/16	1/2	1-1/2	1/2	4-3/8	1-11/16	3-3/4	3	2-1/2	1/8	5-5/8	2-1/4	1/4-20
56 56H	3-1/2	2-7/16	3	11/32 SLOT	2-7/16	6-7/8	6-5/8	5/8	1-7/8	1/2	5	2-1/16	5-7/8	4-1/2	2-3/4	1/8	6-1/2	2-1/4	3/8-16
143T 145T	3-1/2	2-3/4	4	11/32	2-1/2	6-7/8	6-5/8	7/8	2-1/4	3/4	5-1/4	2-1/8	5-7/8	4-1/2	2-1/4	1/8	6-1/2	2-1/4	3/8-16
182 184 182T 184T	4-1/2	3-3/4	4-1/2	13/32	2-11/16	8-11/16	7-7/8	7/8	2-1/4	3/4	5-7/8	2-1/8	5-7/8	4-1/2	2-3/4	1/8	6-1/2	2-3/8	3/8-16
213 215 213T 215T	5-1/4	4-1/4	5-1/2	13/32	3-1/2	10-1/4	9-9/16	1-1/8	3	1	7-3/8	2-3/8	7-1/4	8-1/2	3-1/2	1/4	9	2-3/4	1/2-13
254U 256U 254T 256T	6-1/4	5	8-1/4	17/32	4-1/16	12-7/8	12-15/16	1-3/8	3-3/4	1	9-5/8	3-1/2	7-1/4	8-1/2	4-1/4	1/4	10	-	1/2-13
284U 286U 284T 286T 284TS 286TS	7	5-1/2	9-1/2	17/32	5-1/8	14-5/8	14-5/8	1-5/8	4-7/8	1-1/2	13-1/8	4-5/8	9	10-1/2	4-3/4	1/4	11-1/4	-	1/2-13
324U 326U 324T 326T 324TS 326TS	8	6-1/4	10-1/2	21/32	5-7/8	16-1/2	16-1/2	1-7/8	5-5/8	2	14-7/8	5-3/8	5	11	5-1/4	1/4	13-3/8	-	5/8-11
364U 365U 364T 365T 364TS 365TS	9	7	11-1/4	21/32	6-3/4	18-1/2	19-1/2	2-1/8	6-3/8	2-1/2	18-1/16	6-1/8	4	12-1/2	5-7/8	1/4	13-3/8	-	5/8-11
404U 405U 404T 405T 404TS 405TS	10	8	12-1/4	13/16	7-3/16	21-5/16	22-1/2	2-3/8	7-1/8	3	19-1/4	6-7/8	7	11	6-5/8	1/4	13-7/8	-	5/8-11
444U 445U 444T 445T 447T 449T 444TS 445TS 447TS 449TS	11	9	14-1/2	13/16	8-5/8	23-3/8	25-1/4	2-7/8	8-5/8	3	22-3/16	8-3/8	8	14	7-1/2	1/4	16-3/4	-	5/8-11

The above chart provides typical Baldor•Reliance motor dimensions. For more exact dimensional data, please check the specific drawing for each catalog number. Dimension data for 444T through 449TS frame sizes reflect the use of a top mounted conduit box with a cantilevered mounting arm.

5000 FRAME	D	E	2F	H	O	P	U	V	AA	AB	BA
5008S	12-1/2	10	22	15/16	26-27/32	32.24	4.13	6.84	4-NPT	32.74	8-1/2
5008L	12-1/2	10	22	15/16	26-27/32	32.24	4.13	10.84	4-NPT	32.74	8-1/2
5010S	12-1/2	10	28	15/16	26-27/32	32.24	4.13	6.84	4-NPT	32.74	8-1/2
5010L	12-1/2	10	28	15/16	26-27/32	32.24	4.13	10.84	4-NPT	32.74	8-1/2
5012S	12-1/2	10	36	15/16	26-27/32	32.24	4.13	6.84	4-NPT	32.74	8-1/2
5012L	12-1/2	10	36	15/16	26-27/32	32.24	4.13	10.84	4-NPT	32.74	8-1/2

NEMA C-Face	BA Dimensions
143-5TC	2-3/4
182-4TC	3-1/2
213-5TC	4-1/4
254-6TC	4-3/4

**BALDOR ELECTRIC COMPANY**  
 P.O. BOX 2400  
 FORT SMITH, ARKANSAS  
 72902-2400 U.S.A.

Frame	NEMA FRAMES PRIOR TO 1993									
	D	E	F	H	U	V	BA	AA	AB	BA
66	4-1/8	2-15/16	2-1/2	2-1/4	3/4	2-1/4	3-1/8			
203	5	4	2-3/4	2-7/16	3/4	2	3-1/8			
204			3-1/4							
224	5-1/2	4-1/2	3-3/8	3-1/4	1	3	3-1/2			
225			3-3/4							
254	6-1/4	5	4-1/8	3-7/16	1-1/8	3-3/8	4-1/4			
284	7	5-1/2	4-3/4	4-1/4	1-1/4	3-3/4	4-3/4			
324			5-1/4							
326	8	6-1/4	5-1/4	5-3/8	1-5/8	4-7/8	5-1/4			
364			6							
365	9	7	5-5/8	5-5/8	1-7/8	5-3/8	5-7/8			
404			6-1/8							
405	10	8	6-3/8	6-3/8	2-1/8	6-1/8	6-5/8			
444			7-1/4							
445	11	9	7-1/4	7-1/8	2-3/8	6-7/8	7-1/2			
447			8-1/4							
504			8							
505	12-1/2	10	8	8-5/8	2-7/8	8-3/8	8-1/2			