

# **BALDOR**® • *RELIANCE*

## **Product Information Packet**

### **GLP3338**

**.33HP,1725RPM,1PH,60HZ,PSLH,3324L,TEFC,**

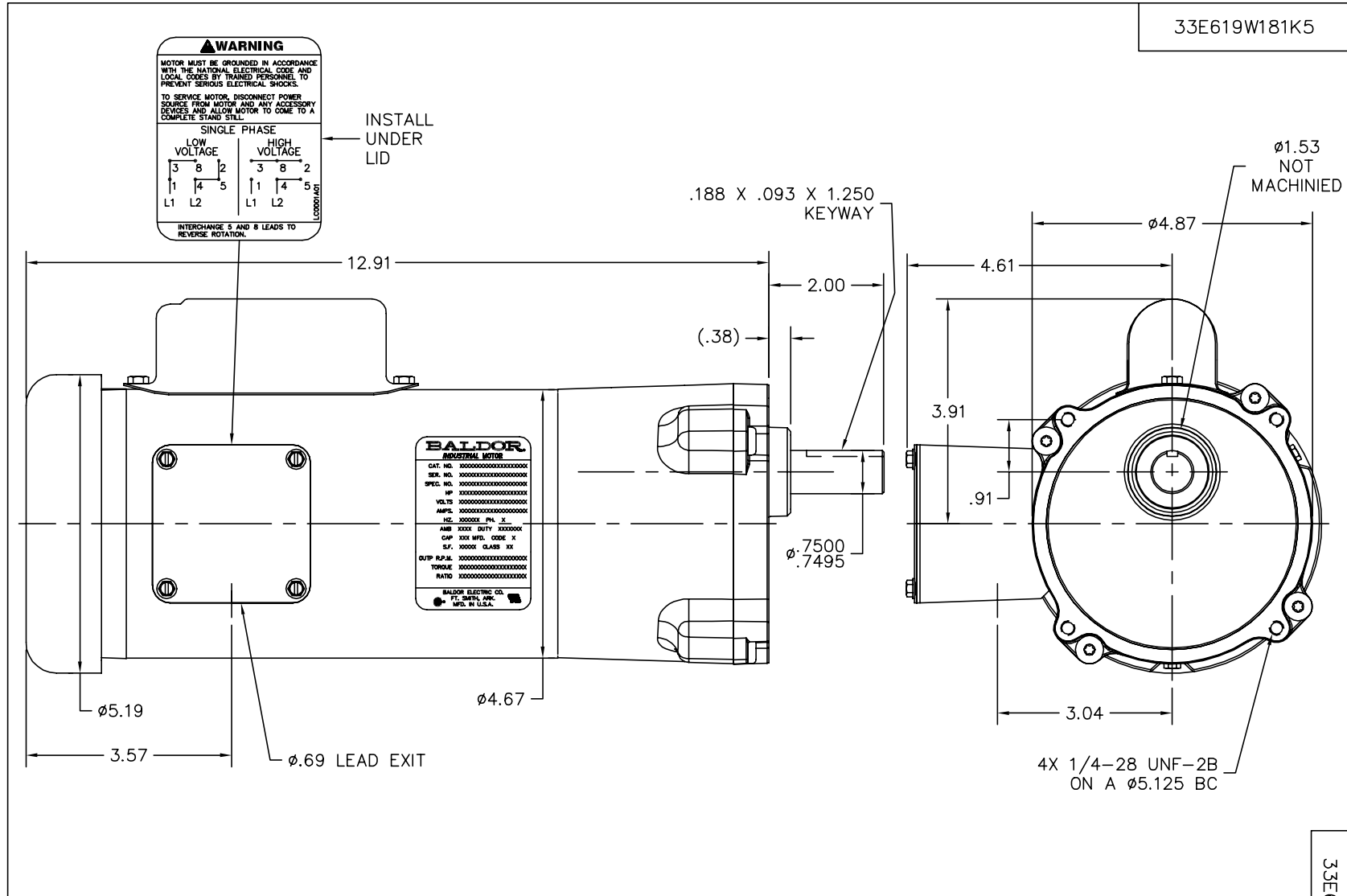
| Product Detail |      |             |       |                |          |               |              |
|----------------|------|-------------|-------|----------------|----------|---------------|--------------|
| Revision:      | J    | Status:     | PRD/A | Change #:      |          | Proprietary:  | No           |
| Type:          | AC   | Prod Type:  | 3324L | Elec. Spec:    | 33WGW181 | CD Diagram:   | CD0001A10    |
| Enclosure      | TEFC | Mfg Plant:  |       | Mech Spec:     |          | Layout:       | 33E619W181K5 |
| Frame:         | PSLH | Mounting:   |       | Poles:         | 04       | Created Date: | 11-07-2006   |
| Base:          |      | Rotation:   | R     | Insulation:    | F        | Eff. Date:    | 05-19-2009   |
| Leads:         | 6#18 | Literature: |       | Elec. Diagram: |          | Replaced By:  |              |

**Nameplate NP1220A07**

|            |              |  |  |  |  |         |      |
|------------|--------------|--|--|--|--|---------|------|
| CAT.NO.    | GLP3338      |  |  |  |  |         |      |
| SER.NO     |              |  |  |  |  |         |      |
| SPEC.      | 33E619W181K5 |  |  |  |  |         |      |
| HP         | .33      TE  |  |  |  |  |         |      |
| VOLTS      | 115/208-230  |  |  |  |  |         |      |
| AMP        | 6.2/2.8-3.1  |  |  |  |  |         |      |
| HZ         | 60           |  |  |  |  | PH      | 1    |
| AMB.       | 40C          |  |  |  |  | DUTY    | CONT |
| CAP        | 130          |  |  |  |  | CODE    | K    |
| SER.F.     | 1.00         |  |  |  |  | CLASS   | F    |
| R.P.M.     | 345          |  |  |  |  |         |      |
| TORQ/IN LB | 55           |  |  |  |  |         |      |
| RATIO      | 5:1          |  |  |  |  |         |      |
| APRV-CSA   |              |  |  |  |  | APRV-UL |      |

| Parts List    |  |          |
|---------------|--|----------|
| Product ID    | Description                              | Quantity |
| SA152528      | SA 33E619W181K5                          | 1.000    |
| RA141303      | RA 33E619W181K5                          | 1.000    |
| EC1130A02SP   | ELEC CAP 115V 1.4 X 3.3 X                | 1.000    |
| HG0076A01CG   | HSG,PSL EP 33AC LONG HOUSING             | 1.000    |
| BMH1715       | WASHER,PREC 1.256"X17/32"X.01"           | 2.000    |
| HW5002A95     | N5002-125 32MM BEVELED INTERNAL RET RING | 1.000    |
| HW4600D28     | SEAL,10X20X4MM TCM #03907815PSCW         | 1.000    |
| HA4021A05     | 1/16 NPSF-HX SOC PIPE PLUG TAPER DRY SEA | 1.000    |
| HW3064E05     | 1/8 X 1/2 PIN DRIVE LOK TYPE H           | 1.000    |
| 34CB3002A64   | CB W/.69 DIA @ 6                         | 1.000    |
| 34GS1029A01   | GASKET, CONDUIT BOX                      | 1.000    |
| 51XB1016A07   | 10-16 X 7/16 HXWSSLD SERTYB              | 2.000    |
| 11XW1032G06   | 10-32X3/8 HX WSHR HD,SLTDTYPE 23,GREEN   | 1.000    |
| 34CB4517      | CB LID 4 MTG HOLES .22 DIA STAMPED, FOR  | 1.000    |
| 34GS1031A01   | GASKET, FLAT CONDUIT BOX LID (LEXIDE)    | 1.000    |
| 51XW0832A07   | 8-32 X .44, TAPTITE II, HEX WSHR SLTD SE | 4.000    |
| 34CB4800SP    | CAPACITOR COVER,STAMPED X X              | 1.000    |
| 34GS3000SP    | GASKET, CAPACITOR BOX X X                | 1.000    |
| 51XB1016A04   | 10-16 X 1/4 HX WA SL SR TYB (F/S)        | 2.000    |
| 33EP3100A01SP | EP,33AC ODE GP 6203 TEFC W/DRAIN         | 1.000    |
| HW5100A03SP   | WAVY WASHER (W1543-017)                  | 1.000    |
| HA3100A28     | THRUBOLT 10-32 X 8.187                   | 2.000    |
| 33FN3000SP    | EXTERNAL FAN, PLASTIC                    | 1.000    |
| 12XN0832A16   | 8-32 X 1.00" SLT HEX HD ZINC PLATED      | 1.000    |

| Parts List (continued) |  |          |
|------------------------|--|----------|
| Product ID             | Description                              | Quantity |
| HW1003A08              | WASHER, #8 EX TH LK, ZN (F/S)            | 1.000    |
| XY0832A02              | 8-32 HEX NUT                             | 1.000    |
| 33FH4001A01            | FAN COVER, STAMPED                       | 1.000    |
| 11XT1032A06            | 10-32 X 3/8 HX WSHR HD SLTD TYPE 23      | 3.000    |
| BGS01214               | SHAFT,ASSY PSLH LONG INT1 2RED 1.0/5.0   | 1.000    |
| BGS01215               | SHAFT,ASSY PSLH LONG OUTP 2RED 0.0/1.0   | 1.000    |
| CG0012A01CG            | CAP, PSL GEAR HEAD                       | 1.000    |
| RM1020A22              | O-RING .070 X 4.527                      | 1.000    |
| HW4600D39              | SEAL, .750 X 1.250 X .250 SINGLE         | 1.000    |
| BH1163A03              | BRG,SCE1212 INA NEEDLE ROLLER BBG1027    | 1.000    |
| 60XM2520A12            | SCREW,PAN TORX 1/4-20X.750 THREAD FORMIN | 4.000    |
| BMH1910                | KEY 3/16X3/16X1 1/8 AUTO X               | 1.000    |
| BMH4712                | KEY LOCKING RING 3/4"                    | 1.000    |
| MJ1000B02              | KLUBERSYNTH GH6-460 GEAR OIL             | 0.112    |
| MG1000G28SPP           | S-9282E CHARCOAL GREY 5GAHAZARDIOUS CHEM | 0.030    |
| NP1220A07              | NP,AC STD AD NONE V CSA UL GEAR MOTOR    | 1.000    |
| LC0001A01              | CONN LABEL / WARNING LABEL (LC0001 / LB1 | 1.000    |
| LB1125C01              | STD (STOCK) CARTON LABEL BALDOR WITH FLA | 1.000    |
| CPA1001                | PACKING GROUP OVERSIZED SINGLE           | 1.000    |



CUSTOMER IS RESPONSIBLE FOR DETERMINING THAT MOTOR PERFORMANCE IS SUITABLE IN THE APPLICATION.

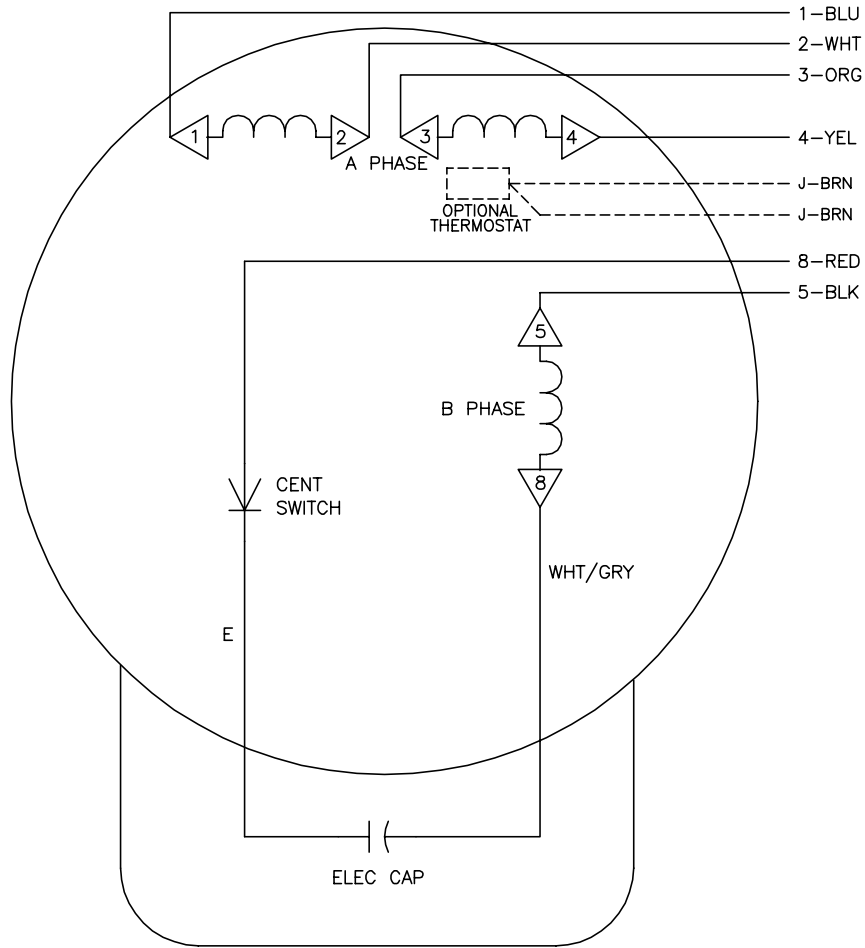
|                |                      |                              |
|----------------|----------------------|------------------------------|
| REV. DESC: NEW |                      |                              |
| REV. LTR: -    | VERSION: 00          | TDR: 000000410635            |
| 33E619W181K5   | FILE: \CKA\00031\284 | REVISED: 10:57:27 12/19/2006 |
|                | MTL: -               | BY: CKMARD0                  |

**BALDOR ELECTRIC Co.**

LY,33AC PSLH RSB TEFC .75 X 2.00

33E619W181K5

CD0001A10



|          | LINE A | LINE B | JOIN  |
|----------|--------|--------|-------|
| HIGH STD | 1      | 4,5    | 2,3,8 |
| HIGH OPP | 1      | 4,8    | 2,3,5 |
| LOW STD  | 1,3,8  | 2,4,5  | -     |
| LOW OPP  | 1,3,5  | 2,4,8  | -     |

NOTES:

1. STANDARD ROTATION IS CCW FACING LEAD END
2. OPTIONAL THERMOSTAT IS PROVIDED WHEN SPECIFIED.
3. MULTIPLE CAPACITORS ARE CONNECTED IN PARALLEL UNLESS OTHERWISE SPECIFIED.
4. LEAD COLORS ARE OPTIONAL. LEADS MUST ALWAYS BE NUMBERED AS SHOWN.
5. = MAGNET WIRE COIL END WITH I.D. NUMBER

|                |                      |                              |  |
|----------------|----------------------|------------------------------|--|
| REV. DESC: NEW |                      |                              |  |
| REV. LTR: -    | VERSION: 00          | TDR: 000000435106            |  |
| 01V100000      | FILE: \CKA\00032\277 | REVISED: 10:15:16 06/19/2007 |  |
|                | MTL: -               | BY: CKNATLO                  |  |

**Baldor • Dodge • Reliance**

TYPE L, DV, REV, 6 LD, CK

CD0001A10