

**BALDOR**

**BALDOR® • RELIANCE**

**Part Information Packet**

**CLARK TRANSMISSION CO.**

**GP7413**

**G.M. D28JA 90VDC 8:1 GP7413**

Part Detail							
Revision:	N	Status:	PRD/A	Change #:		Proprietary:	No
Type:	DC	Prod. Type:		Elec. Spec:	24WGZ175	CD Diagram:	
Enclosure:	TENV	Mfg Plant:		Mech. Spec:		Layout:	
Frame:	JK	Mounting:		Poles:	///	Created Date:	
Base:		Rotation:	R	Insulation:	F	Eff. Date:	01-15-2009
Field Type:		Literature:		Elec. Diagram:		Replaced By:	

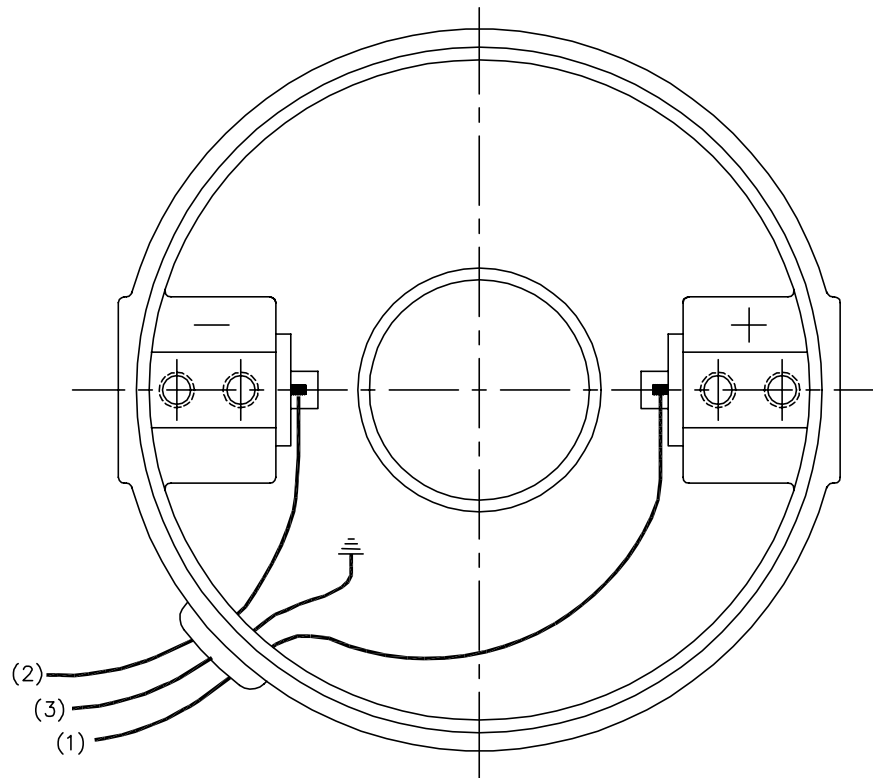
**Nameplate NP1220A08**

CAT.NO.	GP7413						
SER.NO	DATE CODE						
SPEC.	24A011Z175G1						
FRAME	JK					TYPE	2428P
HP	.25	TE					
VOLTS	90V DC						
AMP	2.1						
F.F.	1.26					CLASS	F
AMB.	40C					DUTY	CONT
BRUSHES	2/BP5052BP01						
R.P.M.	314						
TORQ/IN LB	32						
RATIO	8:1						
APRV-CE					APRV-CUL		

Parts List		
Part Number	Description	Quantity
SA119989	SA 24A011Z175G1	1.000 EA
AA010652	AA 24A011Z175G1	1.000 EA
SR001384	SR 24A011Z175G1	1.000 EA
BP5052BP01SP	BRUSH, GRADE R884 NATIONAL CARBON (FOR 1	1.000 EA
24EP3106A04L	EP,24DC DE CL 6200 RA VERT. THRU BOLTS	1.000 EA
HW5002A45	WALDES TRUARC N5002-118 RETAINING RING	1.000 EA
HW4600D28	SEAL,10X20X4MM TCM #03907815PSCW	1.000 EA
24EP3102A01L	EP,24DC 0DE CL 0.63P4	1.000 EA
HW5109A13	WASHER, WAVE SPRING FOR 26MM BORE SMALLE	1.000 EA
WD4102A01	SR-6L-1 HEYCO STRN RELIEF OR 23MPO6L10 M	1.000 EA
BCB1111-115	CABLE ASS'Y, 18-3-SJTO 24F	1.000 EA
55XT0632G03	6-32 X 0.187 RD HD PHILLIPS, SERRATED	1.000 EA
BP4529SP	BRUSH TUBE HOLDER:BBR1097	1.000 EA
80XN1032A04	10-32 X 1/4 SET SCREW	2.000 EA
BP4530SP	BRUSH TUBE CAP AE-57	1.000 EA
HA3100A11	THRUBOLT 10-32 X 6.750	2.000 EA
HG0039A01L	HSG,J EP OPEN FOR SEAL W/BLACK POWDE	1.000 EA
HA4021A05	1/16 NPSF-HX SOC PIPE PLUG TAPER DRY SEA	1.000 EA
RM1057	RUBBER SQUARE RING 1.424 I.D.	1.000 EA
19XN1032A12	SCREW, HEX WASHER HEAD, #10-32 X .750	4.000 EA
HW4600D39	SEAL, .750 X 1.250 X .250 SINGLE	1.000 EA
HA1194B01	BLADDER,CJK EXPANSION	1.000 EA
15XM0632A06	SCREW, 6-32X .375, THREAD FORMING	3.000 EA
BS0114A03L	BS,J OP 6204STD OPEN NO SNAP RING	1.000 EA

Parts List (continued)		
Part Number	Description	Quantity
HW5109A10	WASHER, WAVE SPRING FOR 47MM BORE SMALLE	1.000 EA
15XM0832A08	SCREW, 8-32X .500, THREAD FORMING	4.000 EA
RM1020A21	O-RING,3.240 I.D. X .052 BUNA (PGS) BGA4	1.000 EA
HW4600D39	SEAL, .750 X 1.250 X .250 SINGLE	1.000 EA
MJ1000B02	KLUBERSYNTH GH6-460 GEAR OIL	0.033 GA
HW2501D10	KEY, 3/16 SQ X 1.000	2.000 EA
ME4000A02	WOVEN PROTECTOR FOR SHAFT .50-1.00" DIA	0.125 FT
NP1220A08	NP,DC STD AD NONE V GEAR MOTOR CE CUL	1.000 EA
LC0899A06	CONNECTION LABEL, DCPM NO ROTATION CE CO	1.000 EA
CPA1000	PACKING GROUP STD. SINGLE	1.000 EA
LB1125A01SP	STOCK MTR CARTON LABEL LASER PRINTER	1.000 EA
PK3090	2" X 7 1/8 X 6 1/2" CRADLE VIN#1665500	1.000 EA
MG2000A14	RUST VETO 342 RUST INHIBITOR	0.001 GA

CD1899



(1) COLOR MAY BE  
RED  
WHT  
BLU

(2) COLOR MAY BE  
BLK  
BRN

(3) COLOR WHEN REQ.  
GRN  
GRN/YEL

VIEWED FROM  
DRIVE END

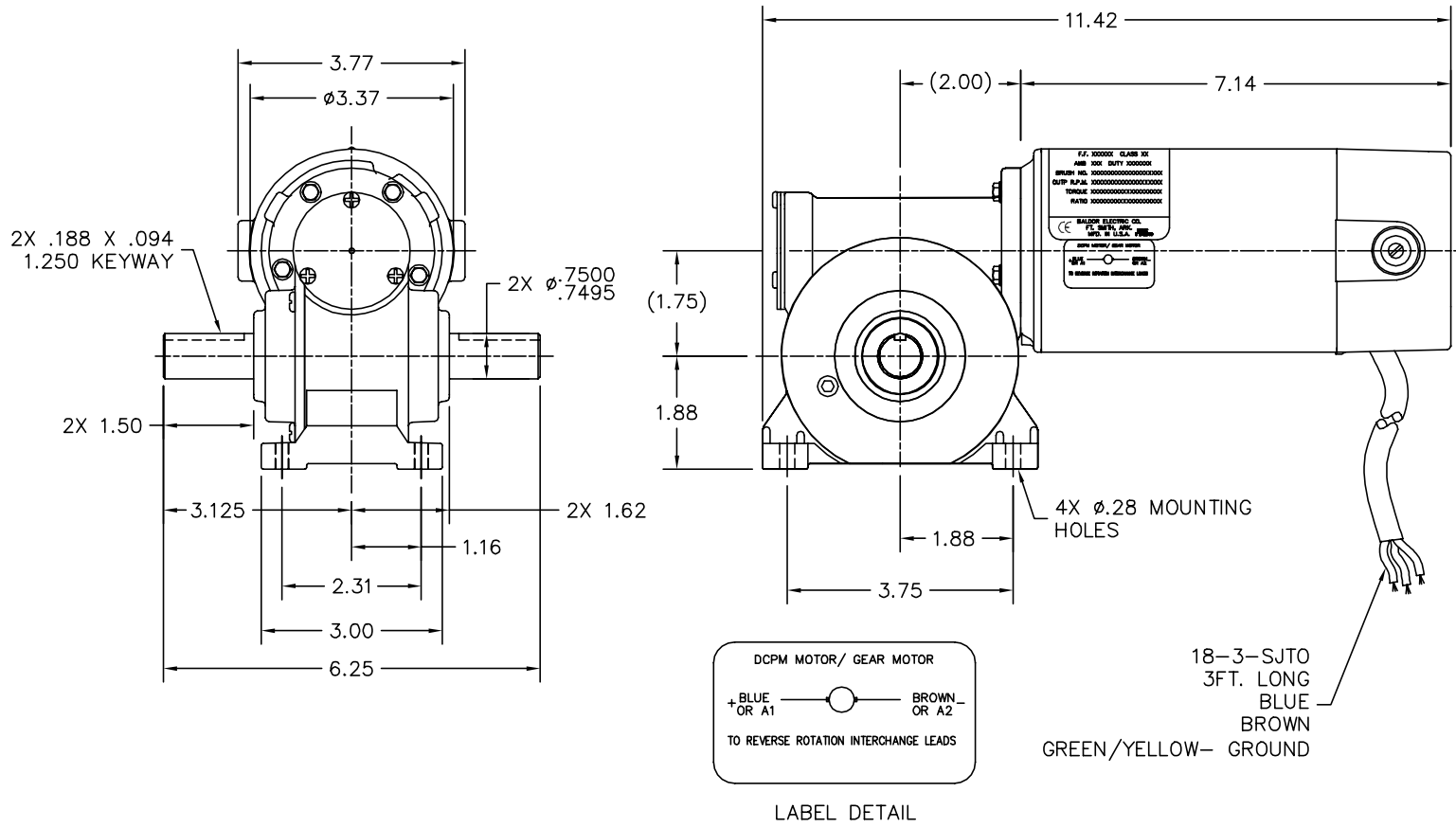
REV. DESC: NEW			
REV. LTR: -	BY: PAW	REVISED: 09:06:34 09/16/2004	TDR: 341564
668100		FILE: CKA00025830	REF: CD1899
		MTL: -	

**BALDOR ELECTRIC Co.**

PM,2LD,REV,TANG,CK

CD1899

24A011Z175G1



CUSTOMER IS RESPONSIBLE FOR DETERMINING THAT MOTOR PERFORMANCE IS SUITABLE IN THE APPLICATION.

REV. DESC: NEW			
REV. LTR: -	BY: MAD	REVISED: 11:58:45 09/07/2004	TDR: 317400
24A011Z175G1		FILE: CKA00025805	REF: 24A011Z175G1
		MTL: -	

**BALDOR ELECTRIC Co.**

LY,24DC JK DOM TENV

24A011Z175G1