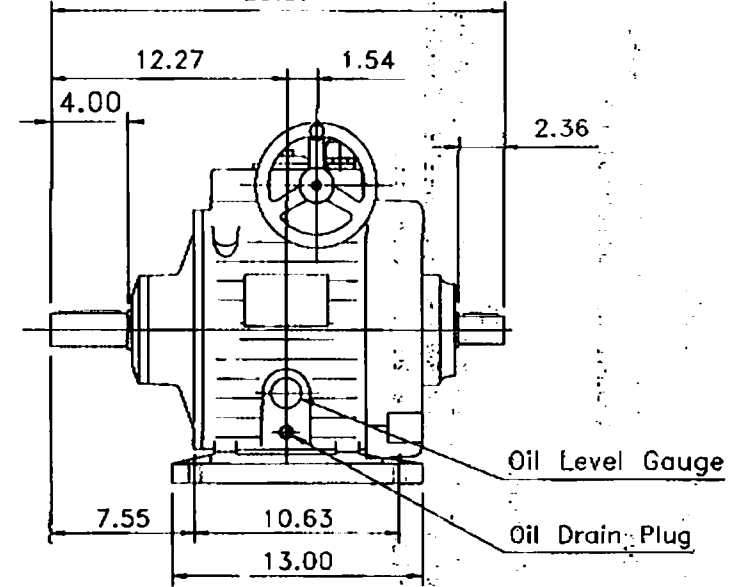
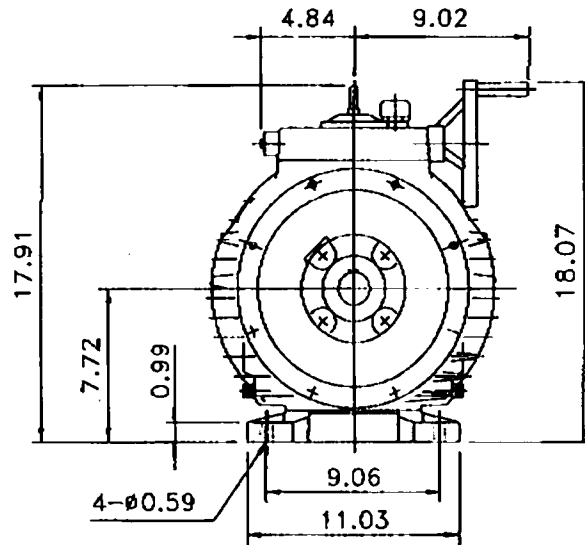
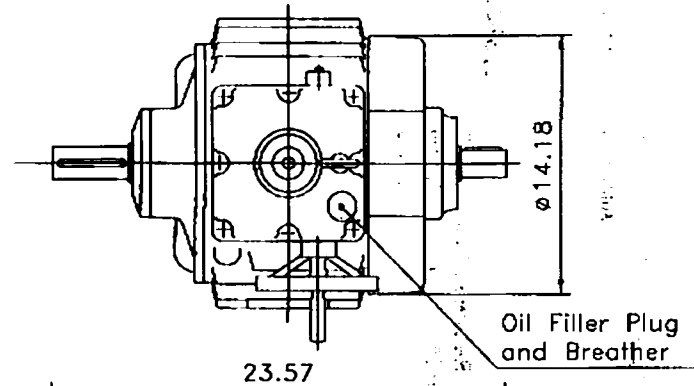
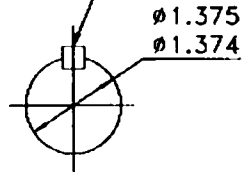
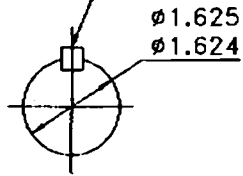


OUTPUT SHAFT

INPUT SHAFT

Key 0.375x0.375x3.14

Key 0.188x0.313x1.77



PRELIMINARY
SUBJECT TO CHANGE

RATING:		MOTOR MFG.		APPROVED BY		TITLE	
1750 RPM, 10 HP - IN				Toshi		SHIMPO DRIVES	
0-600 RPM - OUT		MIN. RPM	MAX. RPM	SCALE	CHECKED BY	Itasca, IL 60143, USA Tel: (630) 924-7138	
1740-767 LB-IN - OUT		ENC.	FRAME	1:1	MO	MODEL	
1150 RPM, 10 HP - IN		PHASE	VOLTS	RATIO	RATIO	NXA7500000AAA030	
0-400 RPM - OUT				UNITS	DRAWN BY	DRAWING NO.	
2610-171.0 LB-IN - OUT				INCH	TO	JRB7X048	
				DATE	03/07/11	REV. MARK	
				LUBRICATION	TD-22 OIL		
				QTY.	0.58 gl.		