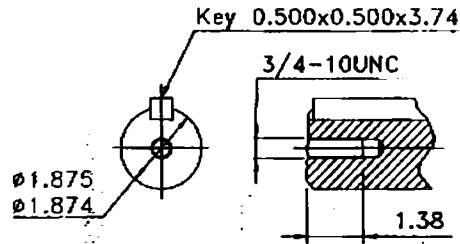
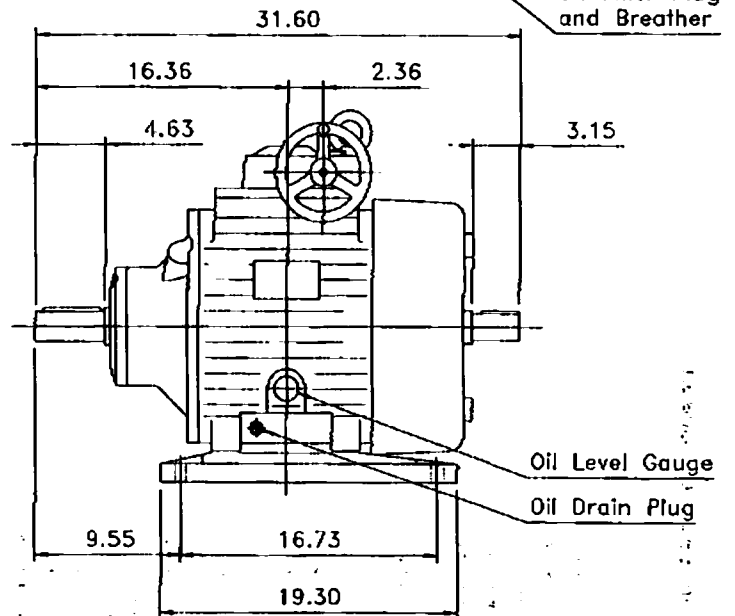
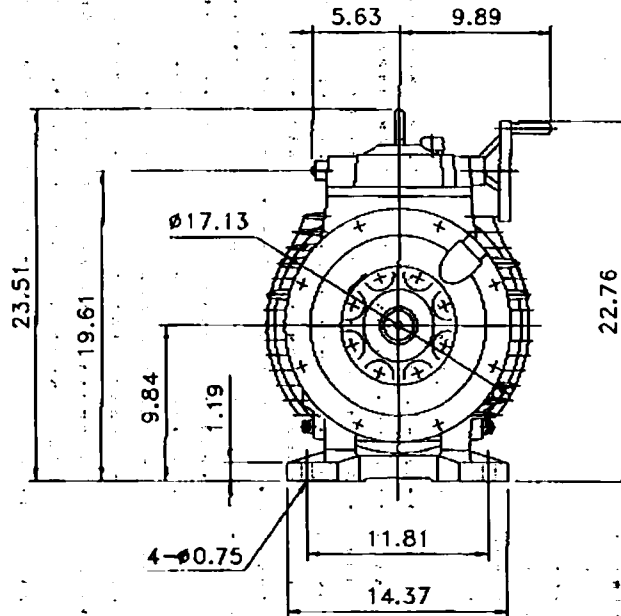
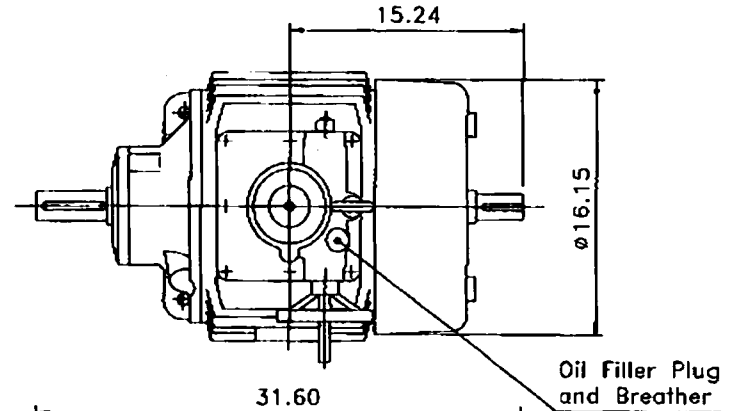
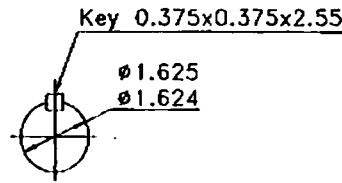


OUTPUT SHAFT



INPUT SHAFT



PRELIMINARY
SUBJECT TO CHANGE

RATING		HP		RPM	HANDWHEEL REVOLUTIONS	WEIGHT	SCALE	APPROVED BY	TITLE
1750 RPM, 15 HP - IN.				1750		520 lbs.	1:1	Toshi	SHIMPO DRIVES
0 - 600 RPM - OUT		ENC.		FRAME	VER SPEED SECTION	REDUCTION SECTION	UNITS	CHECKED BY	Itasca, IL 60143, USA Tel: (630) 924-7138
2,600-1,150 LB-IN - OUT					RATIO	RATIO	INCH	Tomo	MODEL
1150 RPM, 15 HP - IN.		PHASE	VOLTS	H _v			TO		NXA9100000AAA030
0 - 400 RPM - OUT					LUBRICATION	LUBRICATION	DATE		DRAWING NO.
3,920-1,760 LB-IN - OUT					TD-22 oil		04/20/10		JRB8X047
					or 1.32 gal				REV. MARK