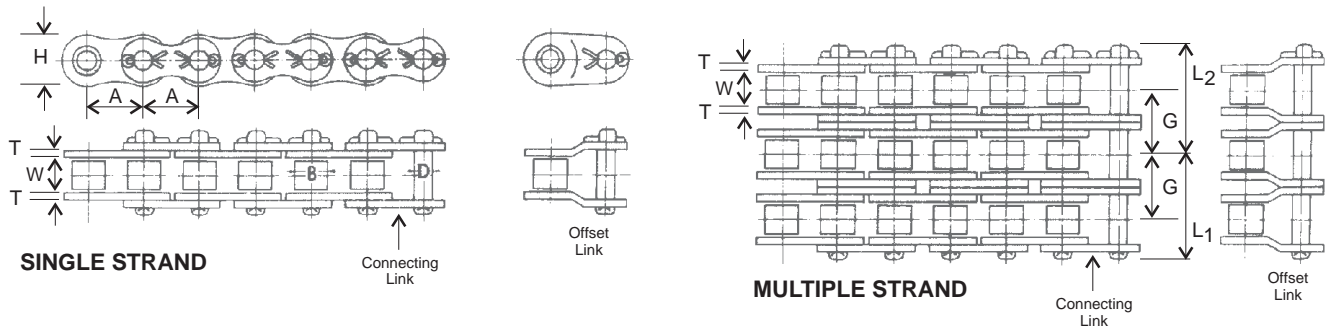


Section 14.

Metric Roller Chain



Metric Roller Chain

- Made in strict adherence to ISO-R-606, DIN-8187, BS-228 standards
- Riveted pins with solid bushings
- Accurately controlled heat treatment gives uniform and deep hardened surfaces
- Stocked in 10 foot boxes, 5 meter boxes and reels
- Stainless steel and nickel plated chain also available

Metric Roller Chain - Riveted

METRIC ROLLER CHAIN—RIVETED

DIMENSIONS SHOWN IN MILLIMETERS:

ISO PART NUMBER	BS-228* INCH DIMENSIONS	PITCH A	ROLLER DIA. B	ROLLER WIDTH W	PIN DIA. D	OVERALL WIDTH L1 + L2	TRANSVERSE PITCH G	AVERAGE WEIGHT PER FT. (LBS.)
SINGLE STRAND								
04B-1	6 X 2.8	6.35	4.0	2.8	1.83	7.37	—	.08
05B-1	8 X 3.2	7.94	5.0	3.0	2.29	8.48	—	.11
06B-1	3/8 X 7/32	9.5	6.4	5.7	3.3	13.7	—	.29
08B-1	1/2 X 5/16	12.7	8.5	7.8	4.5	17.2	—	.41
10B-1	5/8 X 3/8	15.9	10.2	9.7	5.1	20.3	—	.60
12B-1	3/4 X 7/16	19.1	12.1	11.7	5.7	23.3	—	.77
16B-1	25.4 X 17	25.4	15.9	17.0	8.3	37.3	—	1.74
20B-1	1 1/4 X 3/4	31.8	19.1	19.6	10.2	44.2	—	2.53
24B-1	1 1/2 X 1	38.1	25.4	25.4	14.6	57.7	—	4.90
32B-1	2 X 1 1/4	50.8	29.2	31.0	17.8	72.0	—	6.60
DOUBLE STRAND								
06B-2	3/8 X 7/32	9.5	6.4	5.7	3.3	23.8	10.2	.55
08B-2	1/2 X 5/16	12.7	8.5	7.8	4.5	32.0	13.9	.85
10B-2	5/8 X 3/8	15.9	10.2	9.7	5.1	37.7	16.6	1.20
12B-2	3/4 X 7/16	19.1	12.1	11.7	5.7	43.1	19.5	1.53
16B-2	25.4 X 17	25.4	15.9	17.0	8.3	69.3	31.9	2.45
20B-2	1 1/4 X 3/4	31.8	19.1	19.6	10.2	80.6	36.5	4.88
24B-2	1 1/2 X 1	38.1	25.4	25.4	14.6	106.5	48.4	9.76
TRIPLE STRAND								
06B-3	3/8 X 7/32	9.5	6.4	5.7	3.3	34.4	10.2	.84
08B-3	1/2 X 5/16	12.7	8.5	7.8	4.5	46.6	13.9	1.26
10B-3	5/8 X 3/8	15.9	10.2	9.7	5.1	54.5	16.6	1.79
12B-3	3/4 X 7/16	19.1	12.1	11.7	5.7	63.1	19.5	2.26

Connecting links should be ordered by stating the chain number and the type of link (standard connecting or offset)

Standard Package: 10 feet per box

Metric Roller Chain

CHAIN PART ISO STANDARD	LIST PRICE PER FOOT	CONNECTING LINK	OFFSET LINK	INTERCHANGE
SINGLE STRAND				
04B-1	6.02	.76	--	12
05B-1	6.11	1.13	1.91	22
06B-1	3.86	.87	1.41	32
08B-1	3.40	.87	1.41	42
10B-1	4.39	1.14	1.92	52
12B-1	5.61	1.46	2.28	62
16B-1	9.94	2.25	2.51	82
20B-1	17.04	4.51	8.53	102
24B-1	41.65	11.04	19.06	122
DOUBLE STRAND				
06B-2	8.70	1.73	2.83	2032
08B-2	8.90	1.73	2.83	2042
10B-2	9.82	2.28	3.83	2052
12B-2	15.28	2.92	4.56	2062
16B-2	24.83	5.02	10.03	2082
20B-2	41.99	9.03	17.05	2102
24B-2	91.57	22.07	38.12	2122
TRIPLE STRAND				
06B-3	14.95	2.59	4.37	3032
08B-3	15.30	2.59	4.25	3042
10B-3	19.75	3.42	5.75	3052
12B-3	24.02	4.38	6.84	3062
<div style="border: 1px solid black; padding: 10px; width: fit-content; margin: 0 auto;"> <p>Standard package quantity — 10 feet</p> <p>Riveted Construction</p> <p>Metric Roller Chain is imported to meet European and British standards.</p> </div>				
ISO - R - 606		DIN - 8187		BS - 228

Single Strand - Stainless Steel Metric Roller Chain

CHAIN PART ISO STANDARD	LIST PRICE PER FOOT	CONNECTING LINK	OFFSET LINK	INTERCHANGE
SINGLE STRAND				
06B-1SS	24.00	4.62	8.65	32SS
08B-1SS	24.00	4.62	8.65	42SS
10B-1SS	27.00	6.63	11.25	52SS
12B-1SS	29.00	8.81	12.31	62SS
16B-1SS	65.00	15.87	22.46	82SS

Single Strand - Nickel Plated Metric Roller Chain

CHAIN PART ISO STANDARD	LIST PRICE PER FOOT	CONNECTING LINK	OFFSET LINK	INTERCHANGE
SINGLE STRAND				
06B-1NP	6.00	2.35	3.45	32N
08B-1NP	6.00	2.35	3.45	42N
10B-1NP	8.00	3.00	4.75	52N
12B-1NP	10.00	3.75	5.60	62N
16B-1NP	17.00	5.60	9.48	82N

Standard package quantity — 10 feet
Riveted Construction
Metric Roller Chain is imported to meet European and British standards

ISO - R - 606	DIN - 8187	BS - 228
----------------------	-------------------	-----------------