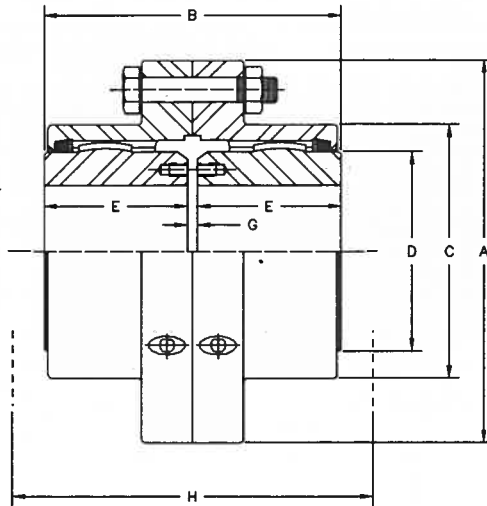
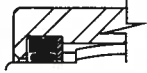




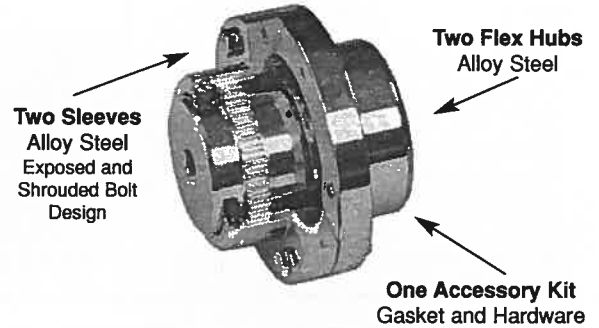
MXB SERIES FLANGED SLEEVE GEAR COUPLINGS

- Exposed bolt design is standard on all sizes.
- Puller holes are optional.
- Shrouded bolt design is available on size 1 through 5 when specified.
- Shrouded bolt style; hardware is recessed in counter bored holes.

High misalignment molded seal.
Fully crowned gear teeth.



Ordering
Couplings are sold by component.



MXB STANDARD TYPE DIMENSIONS

SIZE	A	B	C	D	E	G	H *	Max. Parallel Misalignment	Approx. Wt. (lbs.)
1	4.56	3.50	3.00	2.31	1.69	0.12	4.25	0.055	9
1-1/2	6.00	4.25	3.81	3.12	2.06	0.12	4.50	0.060	19
2	7.00	5.00	4.81	4.00	2.44	0.12	6.25	0.085	34
2-1/2	8.38	6.25	5.72	4.72	3.03	0.19	7.75	0.105	54
3	9.44	7.38	6.72	5.62	3.59	0.19	9.00	0.115	80
3-1/2	11.00	8.62	7.75	6.62	4.19	0.25	10.50	0.130	130
4	12.50	9.75	8.97	7.50	4.75	0.25	12.00	0.150	190
4-1/2	13.62	11.06	10.12	8.50	5.38	0.31	14.25	0.175	250
5	15.31	12.56	11.38	9.50	6.12	0.31	15.12	0.200	380
5-1/2	16.56	13.56	12.56	10.42	6.62	0.31	16.50	0.220	520
6	18.00	15.06	13.88	11.75	7.38	0.31	19.00	0.120	650
7	20.75	17.75	15.75	13.25	8.69	0.38	22.00	0.135	950

* H Dimension - Clearance to Align Coupling

MXB SERIES RATINGS

SIZE	HP @ 100 RPM	TORQUE in. lbs.	MIN BORE	MAX BORE Std. Key	MAX BORE Shallow Key	MAX RPM Unbalanced
1	18	11340	0.44	1.62	1.75	10000
1-1/2	36	22700	0.44	2.19	2.25	7400
2	62	39000	0.56	2.75	2.88	5900
2-1/2	110	69300	0.81	3.25	3.38	5000
3	187	118000	1.19	4.00	4.25	4300
3-1/2	281	177000	1.56	4.75	5.00	3900
4	418	263400	1.81	5.38	5.62	3500
4-1/2	562	354000	1.81	6.00	6.50	3200
5	720	454000	2.31	6.75	7.00	2900
5-1/2	994	626500	3.06	7.75	7.75	2700
6	1265	797000	4.06	8.75	8.75	2500
7	1800	1134000	4.56	9.75	9.75	2200

Notes:

- Horsepower, Torque Capacity and Parallel misalignment for sizes 1 through 5-1/2 are based on 1-1/2° angular misalignment per gear mesh and maximum bore. Sizes 6 and 7 are based on 3/4° angular misalignment. Consult TB Wood's mechanical engineering for greater HP capacity.
- When ordering please specify bore diameter with tolerance for both hubs, keyway sizes, set screws if applicable, speed, horsepower and application details.

Below is an ordering example of a 4 MXB coupling

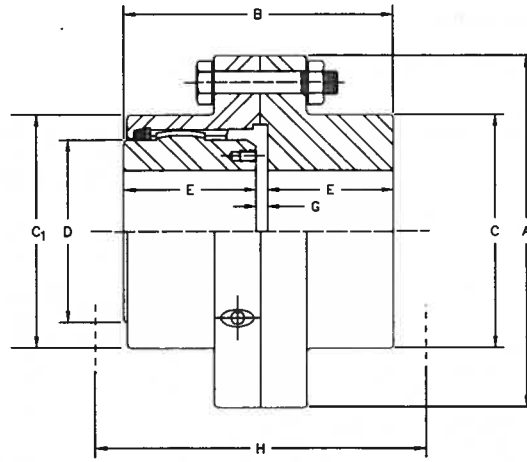
Item (Qty)	Part Number	Description
Flex Hubs (2)	G4MRB	4MXB Rough Bore Flex Hubs
Sleeves (2)	G4MSEB or G4MSSB	4MXB Sleeve with Exposed Bolts 4MXB Sleeve with Shrouded Bolts
Accessory Kit (1)	G4AEB or G4ASB	Hardware and Gasket for 4MXB with Exposed Bolts Hardware and Gasket for 4MXB with Shrouded Bolts

MXB SERIES FLANGED SLEEVE GEAR COUPLINGS

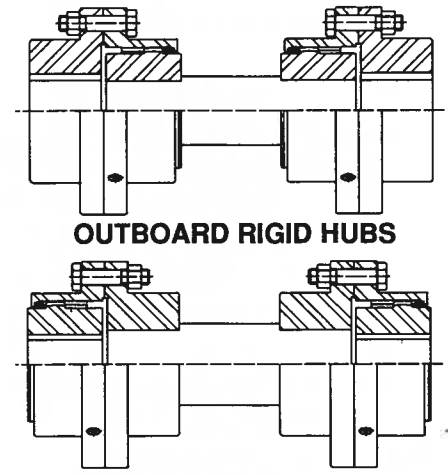


- Single Engagement Type/Floating Shaft

- Exposed bolt design is standard on all sizes.
- Puller holes are optional.
- Shrouded bolt design is available on size 1 through 5 when specified.
- Shrouded bolt style; hardware is recessed in counterdrilled holes.



MXB Series Flex Rigid
MXBFR (2)



OUTBOARD RIGID HUBS

INBOARD RIGID HUBS

**4140
HEAT TREATED
MATERIAL**

High misalignment molded seal. Fully crowned gear teeth.

MXBFS (4)

Maximum RPM of Floating Shaft set, determined by critical speed of Floating Shaft.

STANDARD DIMENSIONS

Size	A	B	C	C1	D	E	E1	G	Approx. Wt. (Lbs.) Solid Bore
1	4.56	3.50	3.00	3.00	2.31	1.69	1.56	0.12	9
1 1/2	6.00	4.25	3.81	3.88	3.12	2.06	1.84	0.13	19
2	7.00	5.00	4.81	4.81	4.00	2.44	2.28	0.13	34
2 1/2	8.38	6.25	5.72	5.81	4.72	3.03	2.9	0.19	55
3	9.44	7.38	6.72	6.81	5.62	3.59	3.4	0.19	86
3 1/2	11.00	8.62	7.75	7.84	6.62	4.19	3.96	0.25	135
4	12.50	9.75	8.97	9.19	7.50	4.75	4.43	0.25	195
4 1/2	13.62	11.06	10.12	10.31	8.50	5.38	4.99	0.31	268
5	15.31	12.56	11.38	11.44	9.50	6.12	5.68	0.31	394
5 1/2	16.75	13.56	12.56	12.69	10.42	6.62	6.11	0.31	526
6	18.00	15.06	13.88	13.94	11.75	7.38	7.24	0.31	687
7	20.75	17.75	15.75	15.75	13.25	8.69	8.68	0.38	1017

Note 1. Horsepower, Torque Capacity for sizes 1 through 5-1/2 are based on 1-1/2 degrees angular misalignment per gear mesh and maximum bore. Sizes 6 and 7 are based on 3/4 degrees angular misalignment.

Note 2. A single flex-rigid coupling does not accept parallel misalignment.

Note 3. When ordering a complete floating shaft coupling specify the distance between shaft ends, bore diameter with tolerances for both outboard hubs, keyway sizes, set screws if applicable, speed, horsepower, and all application details.

Note 4. Due to larger bore capacity outboard rigid hubs will be furnished unless otherwise specified.

RATINGS (1)

SIZE	HP @ 100 RPM	TORQUE in. lbs.	FLEXIBLE HUBS			RIGID HUBS			MAX RPM
			MIN BORE	MAX BORE STD KEY	MAX BORE SHALLOW KEY	MIN BORE	MAX BORE STD KEY	MAX BORE SHALLOW KEY	
1	18	11340	0.44	1.62	1.75	0.44	2.19	2.31	DETERMINED BY BSE
1 1/2	36	22700	0.44	2.19	2.25	0.44	2.81	3.06	
2	62	39000	0.56	2.75	2.88	0.56	3.50	3.75	
2 1/2	110	69300	0.81	3.25	3.38	0.81	4.25	4.50	
3	187	118000	1.19	4.00	4.25	1.19	4.88	5.25	
3 1/2	281	177000	1.56	4.75	5.00	1.56	5.63	6.13	
4	418	263400	1.81	5.38	5.62	1.81	6.50	6.88	
4 1/2	562	354000	1.81	6.00	6.50	1.81	7.38	8.00	
5	720	454000	2.31	6.75	7.00	2.56	8.38	8.88	
5 1/2	994	626500	3.06	7.75	7.75	3.06	9.25	9.88	
6	1265	797000	4.06	8.75	8.75	4.06	10.13	11.00	
7	1800	1134000	4.56	9.75	9.75	4.56	11.25	12.25	

Below is an ordering example of a 4 MXB FR Coupling

Item (Qty)	Part Number	Description
Flex Hub (1)	G4MRB	4 MXB Rough Bore Flex Hub
Sleeve (1)	G4MSEB or G4MSSB	4 MXB Sleeve with Exposed Bolts 4 MXB Sleeve with Shrouded Bolts
Rigid Hub (1)	G4FREBRB or G4FRSBRB	4 MXB Rough Bore Rigid Hub with Exposed Bolts 4 MXB Rough Bore Rigid Hub with Shrouded Bolts
Accessory Kit (1)	G4AEB or G4ASB	Hardware and Gasket for 4 MXB with Exposed Bolts Hardware and Gasket for 4 MXB with Shrouded Bolts